



工程指示 / 要求簡箋(E.I.)

工程指示編號：EI/0672/19

修改版次：-

工程編號：J-837

工程名稱：觀塘裕民坊

工程項目：幕牆 浴室位防水片+收口鋁板(大貨 T1-T5, 7-50/F) (在樓)

收件人：生統 / 永材

發件人：Eric Liu

日期：5/6/2019

要求提供 / 確認 事項：

- |                                    |                                     |                               |
|------------------------------------|-------------------------------------|-------------------------------|
| <input type="checkbox"/> 初步鋁料 B.M. | <input type="checkbox"/> 加工拆圖，然後生產  | <input type="checkbox"/> 尺寸表  |
| <input type="checkbox"/> 正式鋁料 B.M. | <input type="checkbox"/> 技術上資料 / 指示 | <input type="checkbox"/> 報價   |
| <input type="checkbox"/> 配件 B.M.   | <input type="checkbox"/> 樣辦或貨品說明書   | <input type="checkbox"/> 分判合約 |
| <input type="checkbox"/> 其他：_____  |                                     |                               |

內容：

請按加工圖生產浴室位防水片送地盤安裝 (在樓款)

1) 每 10 層 1 批，8 樓已在 EI0551 出單

謝謝！ 2) 分層包裝

請在 2019/06/30 前完成上列要求。

附：- 1頁，12頁加工圖，7頁位圖

以上項目為：

- 原合約工程包                       原合約工程加 / 減賬                       新工程報價

原因：-

分發東莞各部門：

- ( ) 生產技術總監  連附件    (✓) 技術部  連附件 永材    ( ) 生產部     連附件    ( ) 機械設計部  連附件  
 ( ) 採購部     連附件    (✓) 生產統籌部  連附件 柏    ( ) 質檢部     連附件    ( ) 會計部     連附件    ( ) 報關組     連附件    ( ) 其他 楊榮輝  連附件

分發其他分判：

- ( ) 王禮秋  連附件

分發香港各部門：

- ( ) 行政部  連附件    ( ) 會計部  連附件    ( ) 統籌部  連附件    (✓) 工程部地盤科文  連附件 火哥  
 ( ) 採購部  連附件    ( ) QS 部  連附件    ( ) 維修部  連附件    ( ) 其他 \_\_\_\_\_  連附件

傳遞編號：

HK 1335/19

發件人簽署：

項目經理簽署：

Bath Room. flushing.

按座包禁

TYP.

坐 (ei 103)

橫 (ei 455 類)

T1 A

Case 1 + Case 2

ei 455

T2 M

Case 1 + Case 2

ei 455

T3 F

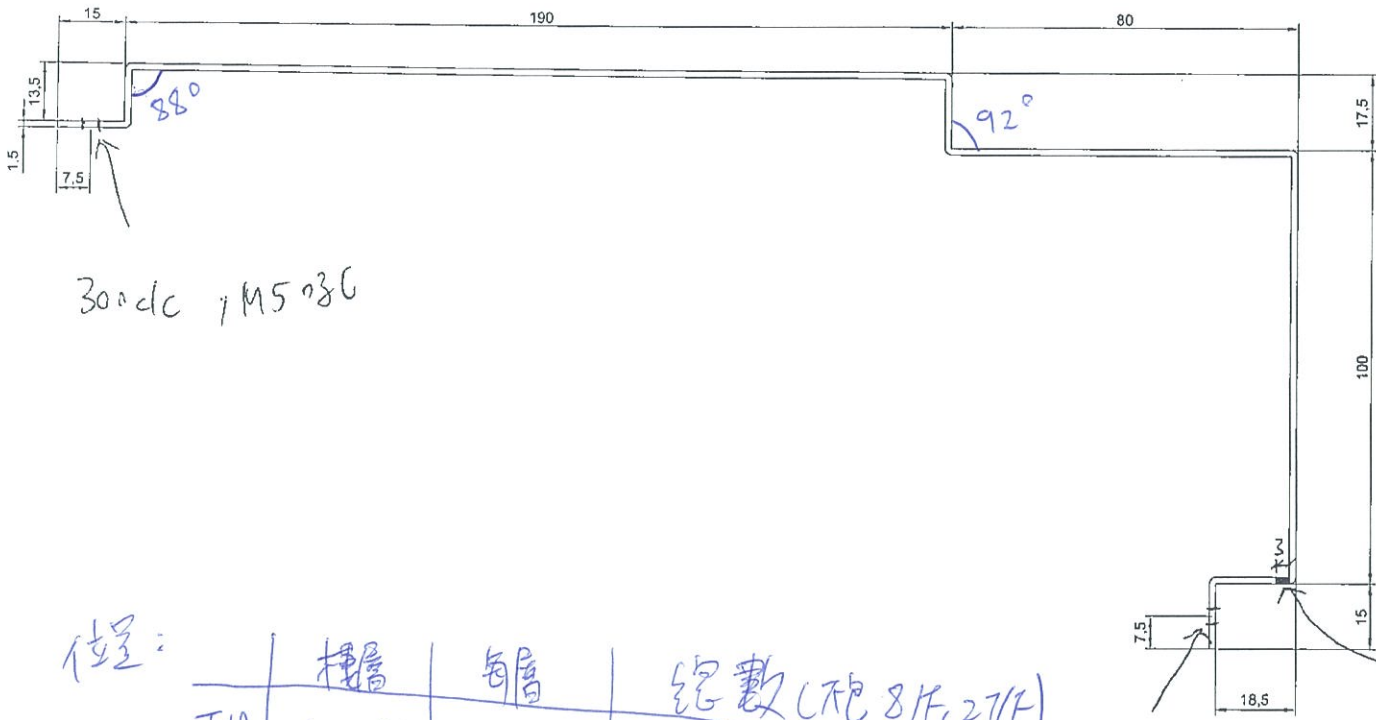
Case 1 + Case 3

ei 455

T5 A

Case 1 + Case 3

ei 455



圖號 = BNF-001

F.5 um 鍍板

L = 2440 mm

料號 = ~~ASPT~~  
UCT803649 FXL-3

~~5件~~

~~12件~~

164件

滴水孔

每10層一批

300 mic, M5 螺絲

300 mic  
M5 螺絲 打膠蓋

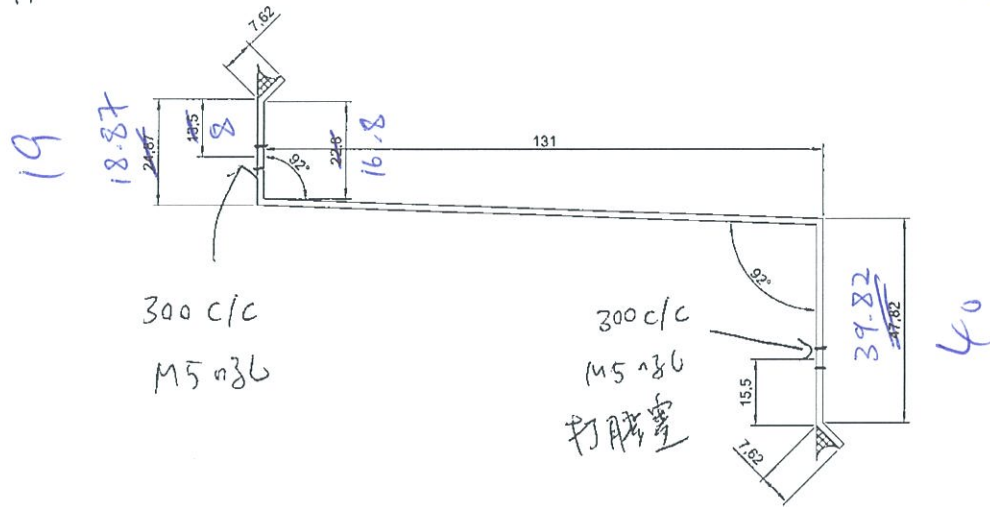
位置:

	標層	每層	總數 (不含 8件, 27件)
T1A	6-50/F	1	38
T2M	6-55/F	1	42
T3F	6-52/F	1	39
T5A	6-51/F	1	40

159 + 5 後備  
= 164

E20455  
HK 0877

按現場覆數修改尺寸



圖號: BIVF-002

1.5mm 鋁板

L=2440mm

顏色 = Mill

位置 =

	樓層	每層	總數 (不含31F, 27F)
T1A	6-50/F	1	38
T2M	6-55/F	1	42
T3F	6-52/F	1	39
T5A	6-51/F	1	40

~~5件~~ ~~12件~~

164 件

每10層一批

159+5 備

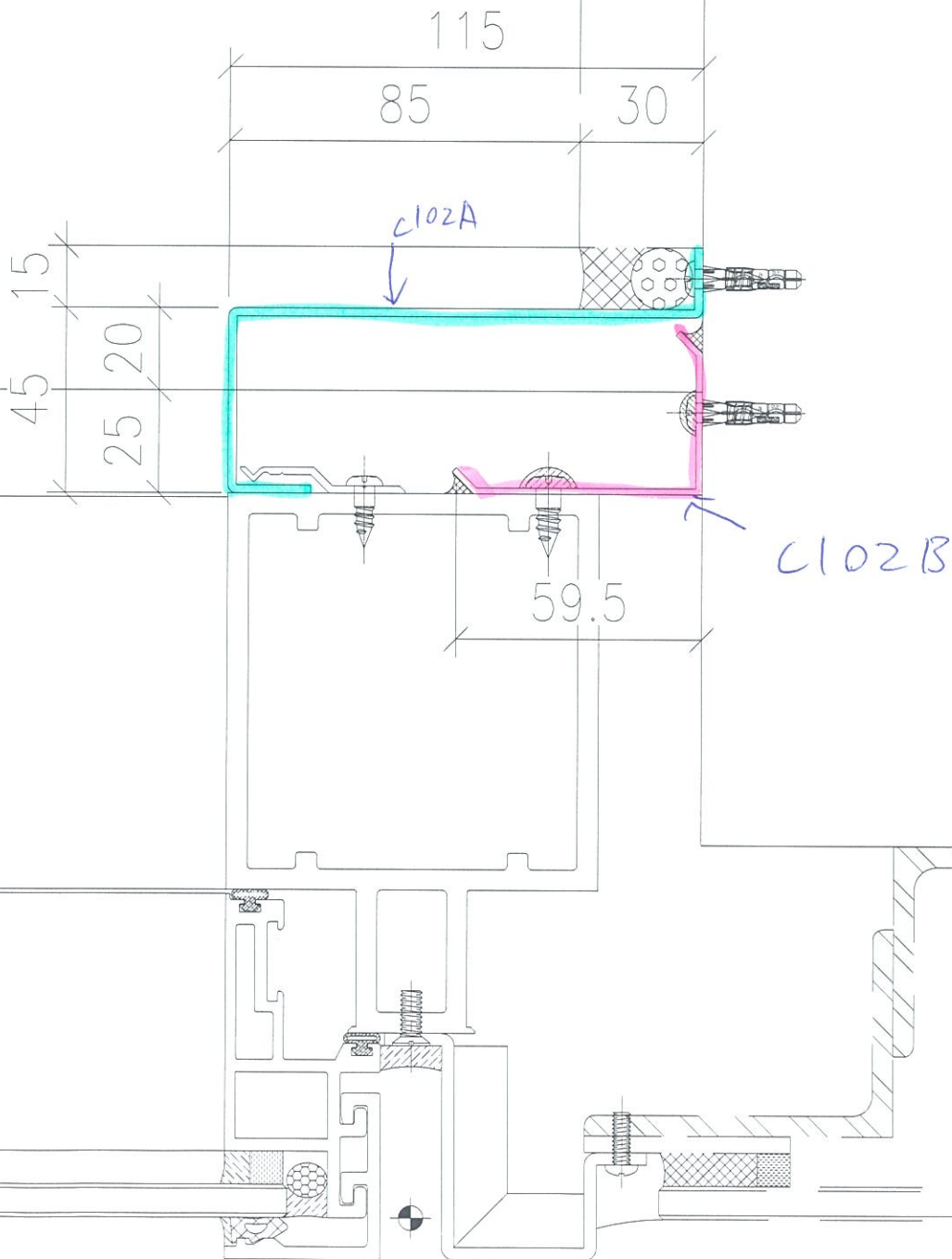
=164

8樓已出 (E20551)

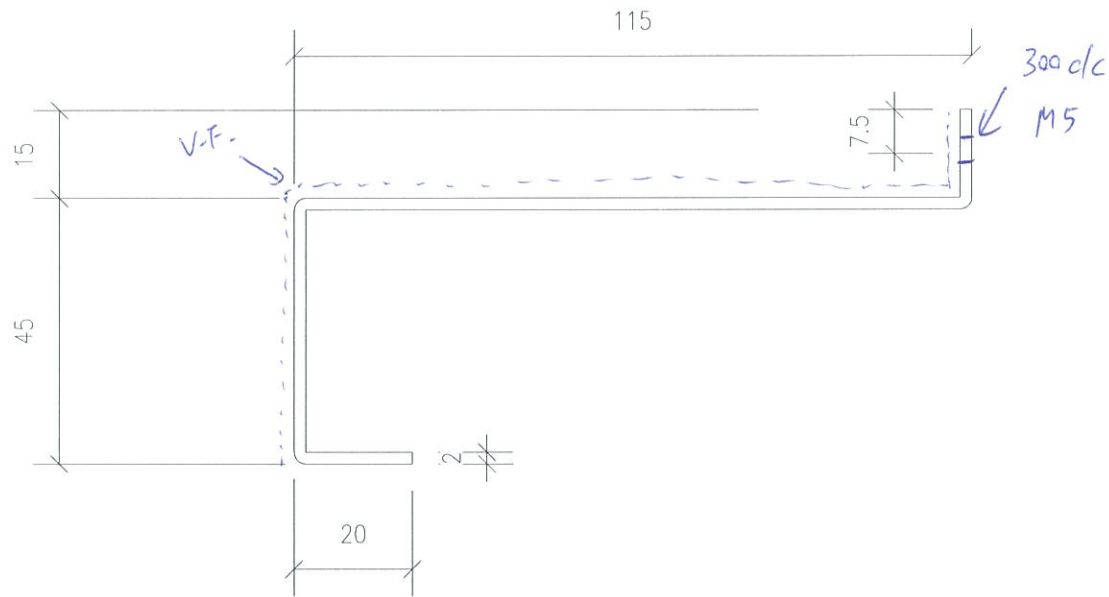
TA, T2M, T3F, T5A

# CASE 1 - OPTION 2

穩圖



# CASE 1 - OPTION 2



	每層	總共	擱層
T1A	1	38	6-50/F
T2M	1	42	6-55/F
T3F	1	39	6-51/F
T5A	1	40	6-52/F

159+58線筒

不連 8/F, 27/F

顏色: UCT803649 FXL-3

1.5mm 鋁板

L: 2440

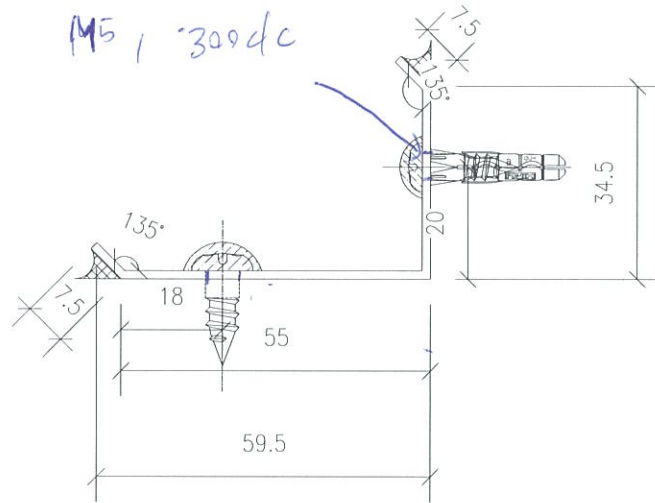
數量: 164件

圖號: J837-C102A

# CASE 1-OPTION 2

	每層	總數	樓層
T1A	1	38	6-50/F
T2M	1	42	6-55/F
T3F	1	39	6-51/F
T5A	1	40	6-52/F

167+13



~~154+13~~

規格 = ~~154+13~~ M11

1.5mm 銘板

L = 2440

數量 = 164 (159+5後備)

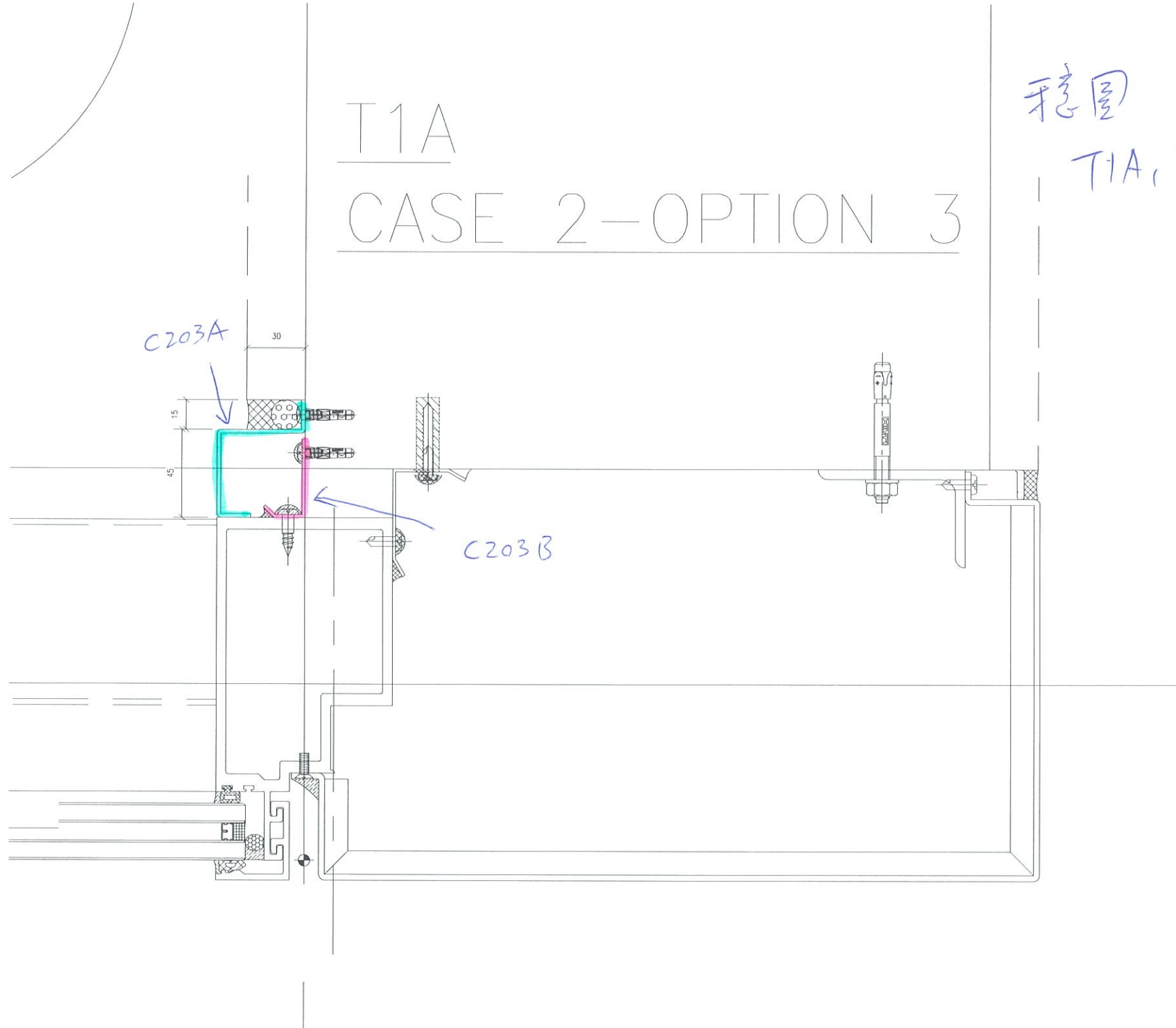
圖號 = J837-C102B

T1A

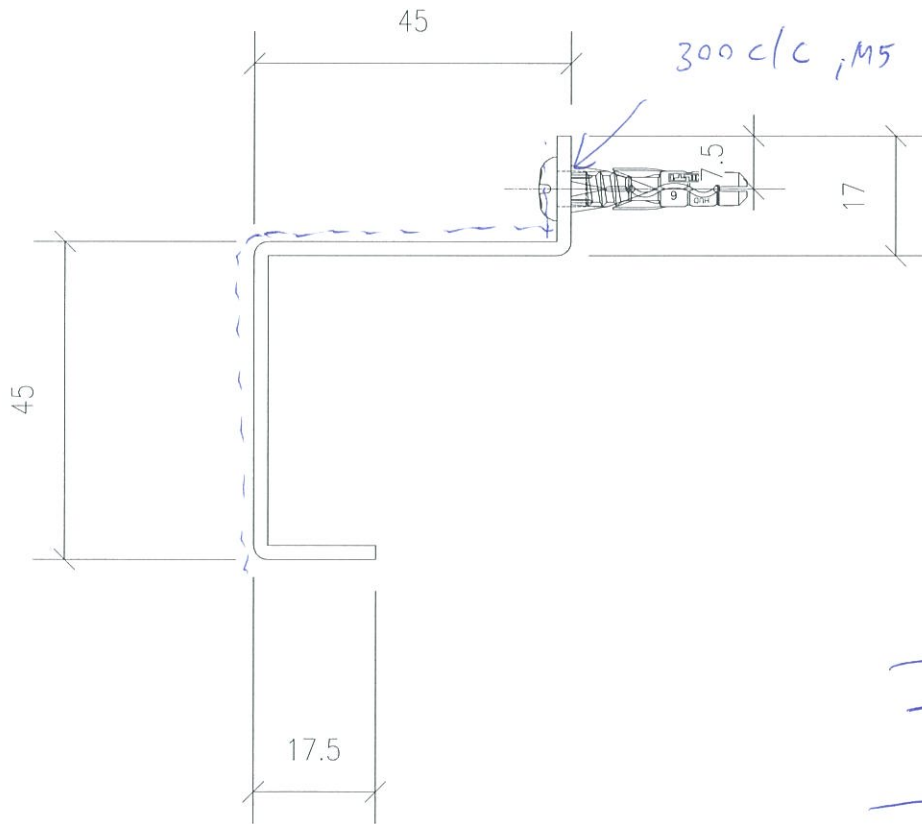
CASE 2-OPTION 3

接圖

T1A, T2M月



# CASE 2-OPTION 3



顏色 = UCT803649FXL-3

1.5mm 鋁板

L = 2440

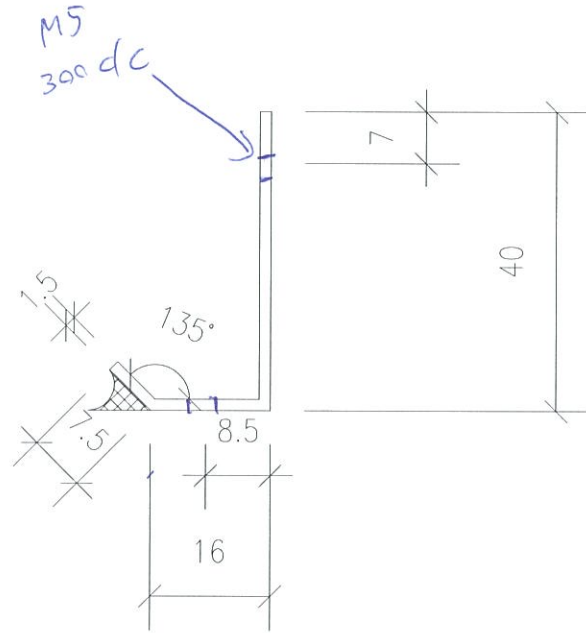
數量 = 85 (80+5修備)

圖號 = J837-C203A

	每層	總共	樓層
T1A	1	38	6-50/F
T2M	1	42	6-55/F

不包 8/F, 27/F

# CASE 2-OPTION 3



規格 = M5 11

1.5mm 鋁板

L = 2440

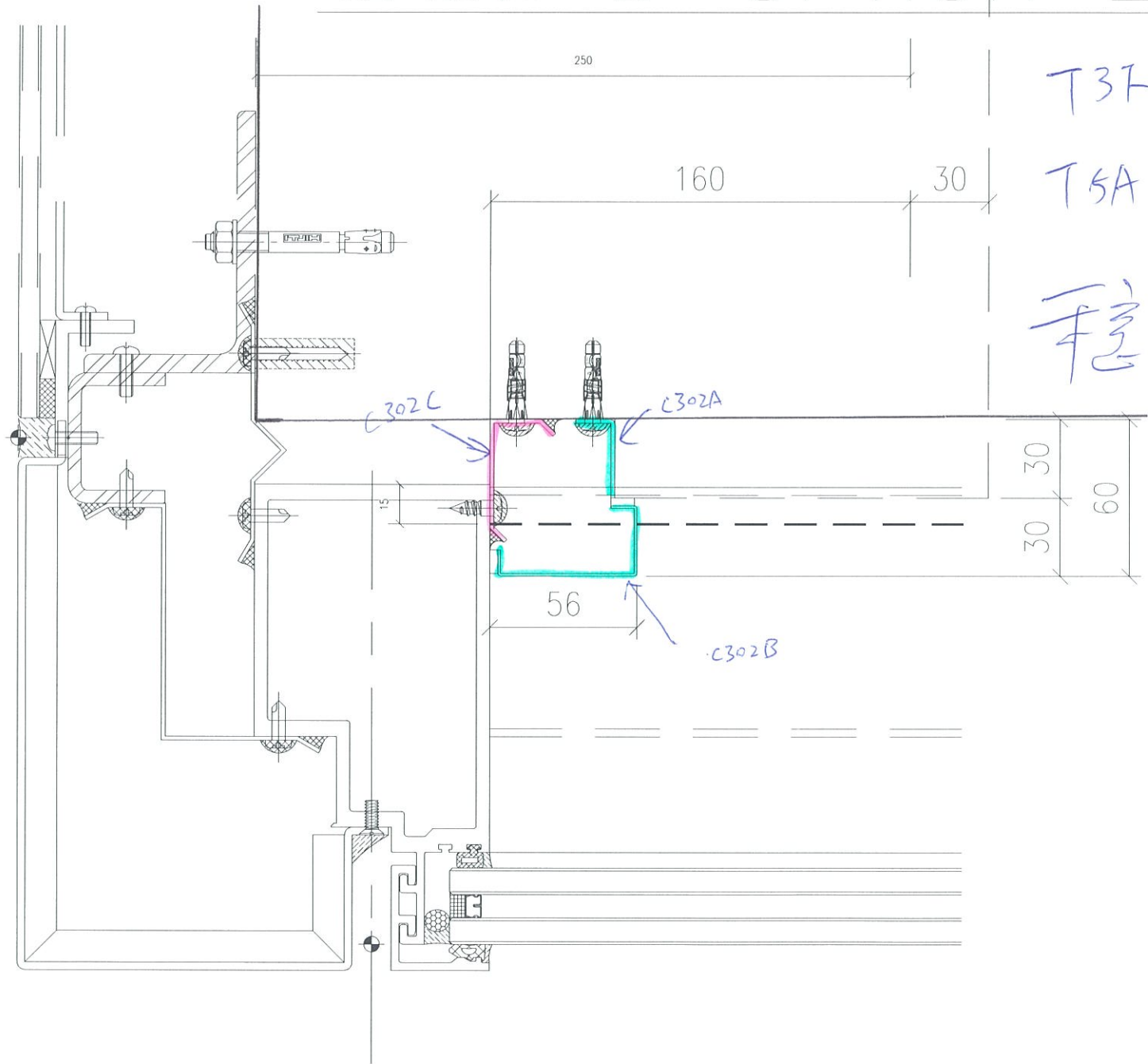
數量 = 85 (80+5 後備)

圖號 = J837-C203B

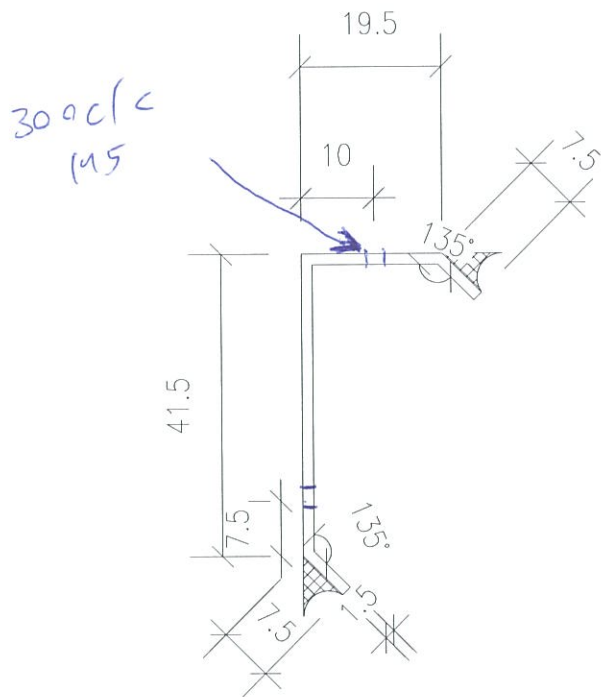
	每層	總共	樓層
T1A	1	38	6-50/F
T2/M	1	42	6-55/F

不包括 8/F, 27/F.

# CASE 3-OPTION 2



# CASE 3-OPTION 2



料號: M-11

1.5mm 鋁板

L = 2440

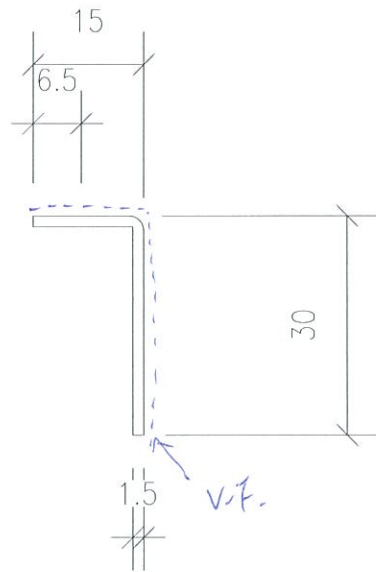
數量: 84件 (79+5的備)

圖號: J837-BF-C302C

	每層	總共	樓層
T3F	1	39	6-51/F
T3A	1	40	6-52/F

不包 81F, 271F

# CASE 3-OPTION 2



數量: 84 (79+5後備)

L = 2440

顏色: UCT803649 • FXL-3

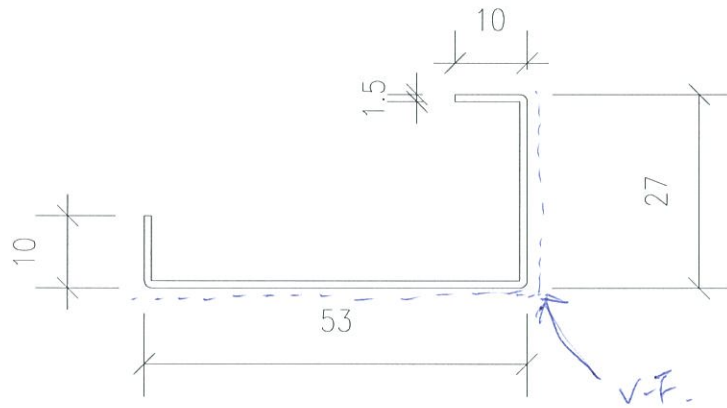
1.5 mm 鋁板

圖號: J837-BF-C302A

	每層	總共	標層
T3F	1	39	6-51/F
T5A	1	40	6-52/F

不包 08/F, 27/F

# CASE 3-OPTION 2



1.5 mm 鋁板

顏色: VCT 803649 FXL-3

L: 2440

數量: 84 (79+5後備)

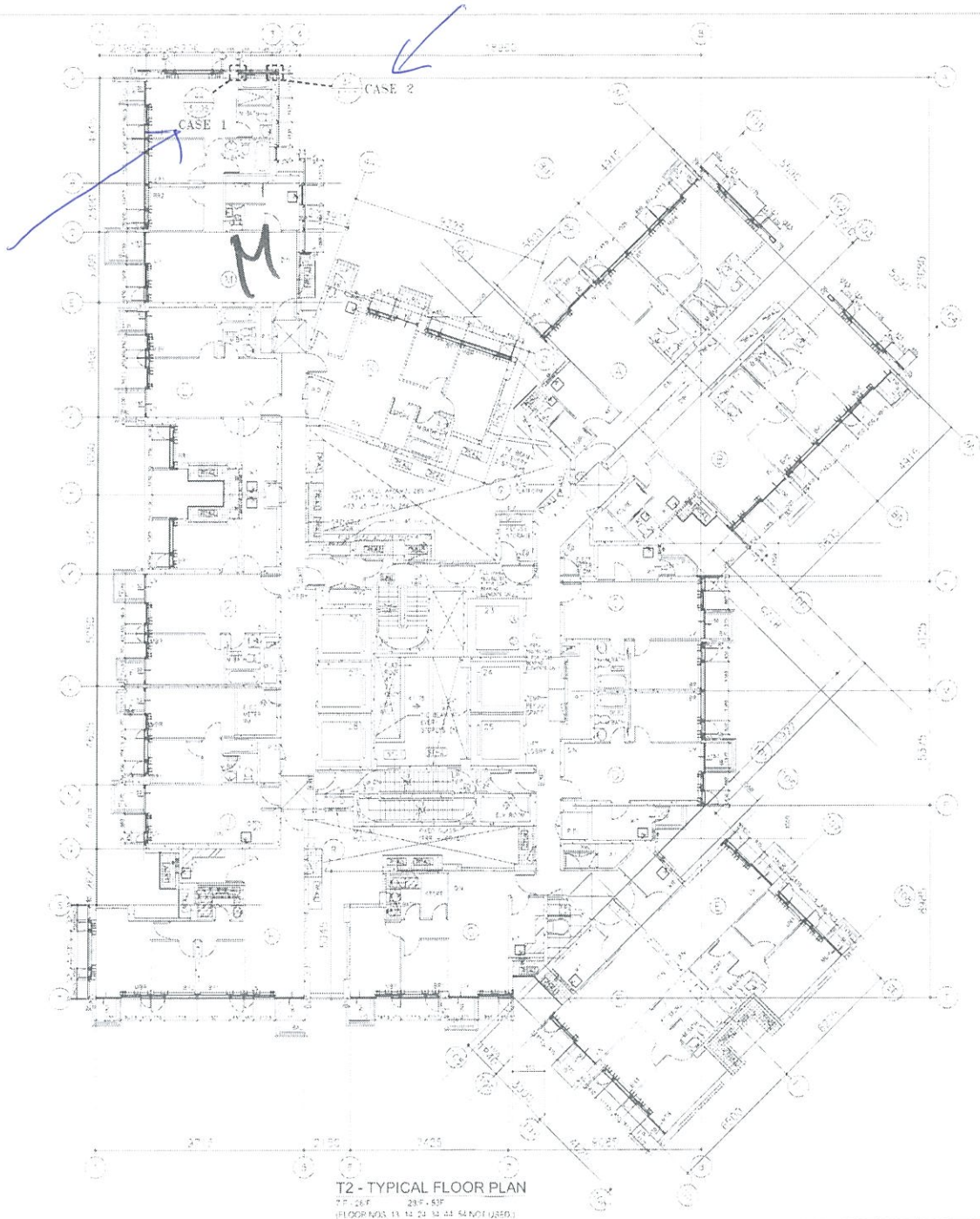
圖號: J837-BF-C302B

	每層	總共	樓層
T3F	1	39	6-51/F
T5A	1	40	6-52/F

不包 6/F, 27/F







T2 - TYPICAL FLOOR PLAN  
 77' - 28'6" 28'6" - 63'  
 (FLOOR NOS. 13, 14, 24, 34, 44, 54, 64, 74, 84)

CLIENT  
 信和置業有限公司  
 Sino Land Company Limited

ARCHITECT  
 WONG TUNG & PARTNERS LIMITED  
 ARCHITECTS & PLANNERS

MAIN CONTRACTOR  
 CR Construction Company Limited

STRUCTURAL ENGINEER  
 ACOM

MECHANICAL ENGINEER  
 ACOM

- NOTES
1. ALL DIMENSIONS ARE IN MM
  2. ALL ELEVATIONS ARE LEVISED FROM OUTSIDE
  3. ALL DIMENSIONS @ 20% ENLARGED ON SITE BEFORE FABRICATING

- LEGEND
- DIMENSION MARK UP
  - REFER SHEET NO.
  - FINISHING FLOOR LEVEL
  - STRUCTURE FLOOR LEVEL
  - REFER SHEET NO.

**TLM**  
**74P**

FLOOR NUMBER	FINISHING FLOOR LEVEL	STRUCTURE FLOOR LEVEL
13	11.470	11.470
14	11.570	11.570
15	11.670	11.670
16	11.770	11.770
17	11.870	11.870
18	11.970	11.970
19	12.070	12.070
20	12.170	12.170
21	12.270	12.270
22	12.370	12.370
23	12.470	12.470
24	12.570	12.570
25	12.670	12.670
26	12.770	12.770
27	12.870	12.870
28	12.970	12.970
29	13.070	13.070
30	13.170	13.170
31	13.270	13.270
32	13.370	13.370
33	13.470	13.470
34	13.570	13.570
35	13.670	13.670
36	13.770	13.770
37	13.870	13.870
38	13.970	13.970
39	14.070	14.070
40	14.170	14.170
41	14.270	14.270
42	14.370	14.370
43	14.470	14.470
44	14.570	14.570
45	14.670	14.670
46	14.770	14.770
47	14.870	14.870
48	14.970	14.970
49	15.070	15.070
50	15.170	15.170
51	15.270	15.270
52	15.370	15.370
53	15.470	15.470
54	15.570	15.570
55	15.670	15.670
56	15.770	15.770
57	15.870	15.870
58	15.970	15.970
59	16.070	16.070
60	16.170	16.170
61	16.270	16.270
62	16.370	16.370
63	16.470	16.470
64	16.570	16.570
65	16.670	16.670
66	16.770	16.770
67	16.870	16.870
68	16.970	16.970
69	17.070	17.070
70	17.170	17.170
71	17.270	17.270
72	17.370	17.370
73	17.470	17.470
74	17.570	17.570
75	17.670	17.670
76	17.770	17.770
77	17.870	17.870
78	17.970	17.970
79	18.070	18.070
80	18.170	18.170
81	18.270	18.270
82	18.370	18.370
83	18.470	18.470
84	18.570	18.570
85	18.670	18.670
86	18.770	18.770
87	18.870	18.870
88	18.970	18.970
89	19.070	19.070
90	19.170	19.170
91	19.270	19.270
92	19.370	19.370
93	19.470	19.470
94	19.570	19.570
95	19.670	19.670
96	19.770	19.770
97	19.870	19.870
98	19.970	19.970
99	20.070	20.070
100	20.170	20.170

PROJECT NO. 1019-008  
 SHEET NO. 74P

PROJECT  
 1019-008 TOWER 2  
 1019-008 TOWER 2  
 1019-008 TOWER 2

DATE: 2018-08-10  
 DRAWN BY: KONG  
 CHECKED BY: [Signature]

MECHANICAL ENGINEER  
 MIDI ENGINEERING LIMITED  
 1019-008 TOWER 2  
 1019-008 TOWER 2  
 1019-008 TOWER 2

CLIENT  
 信和置業有限公司  
 Sin Hoi Land Company Limited

ARCHITECT  
 WONG TUNG & PARTNERS LIMITED  
 ARCHITECTS & PLANNERS

MAIN CONTRACTOR  
 CR Construction Company Limited

STRUCTURAL ENGINEER  
 ACCOM

ARCHITECTURAL CONSULTANT  
 ACCOM

NOTES

1. ALL DIMENSIONS ARE IN MM
2. ALL ELEVATIONS ARE GIVEN FROM OUTSIDE
3. ALL DIMENSIONS TO BE VERIFIED ON SITE BEFORE FABRICATION

LEGEND

- DETAIL MARK NO
- REFER SHEET NO
- FINISHED FLOOR LEVEL
- STRUCTURAL FLOOR LEVEL
- ROOF LEVEL

13 TYP

FLOOR NUMBER	FINISHED FLOOR LEVEL
00	62.400
01	61.500
02	60.700
03	59.700
04	58.700
05	57.700
06	56.700
07	55.700
08	54.700
09	53.700
10	52.700
11	51.700
12	50.700
13	49.700
14	48.700
15	47.700
16	46.700
17	45.700
18	44.700
19	43.700
20	42.700
21	41.700
22	40.700
23	39.700
24	38.700
25	37.700
26	36.700
27	35.700
28	34.700
29	33.700
30	32.700
31	31.700
32	30.700
33	29.700
34	28.700
35	27.700
36	26.700
37	25.700
38	24.700
39	23.700
40	22.700
41	21.700
42	20.700
43	19.700
44	18.700
45	17.700
46	16.700
47	15.700
48	14.700
49	13.700
50	12.700

GENERAL REVISION

NO.	DATE	DESCRIPTION
1	12/28/2018	GENERAL REVISION
2	01/11/2019	AS NOTED
3	02/05/2019	AS NOTED

PROJECT


TRADE MARK TONG TONG CENTRE  
 HUI DEWU DEVELOPMENT (PART 2) OF 30/F  
 18/F, 19/F, 20/F, 21/F, 22/F, 23/F, 24/F

THE TOTAL FLOOR PLANS  
 OF COURTS WALL  
 AT 18/F TO 24/F

SCALE: 1/200

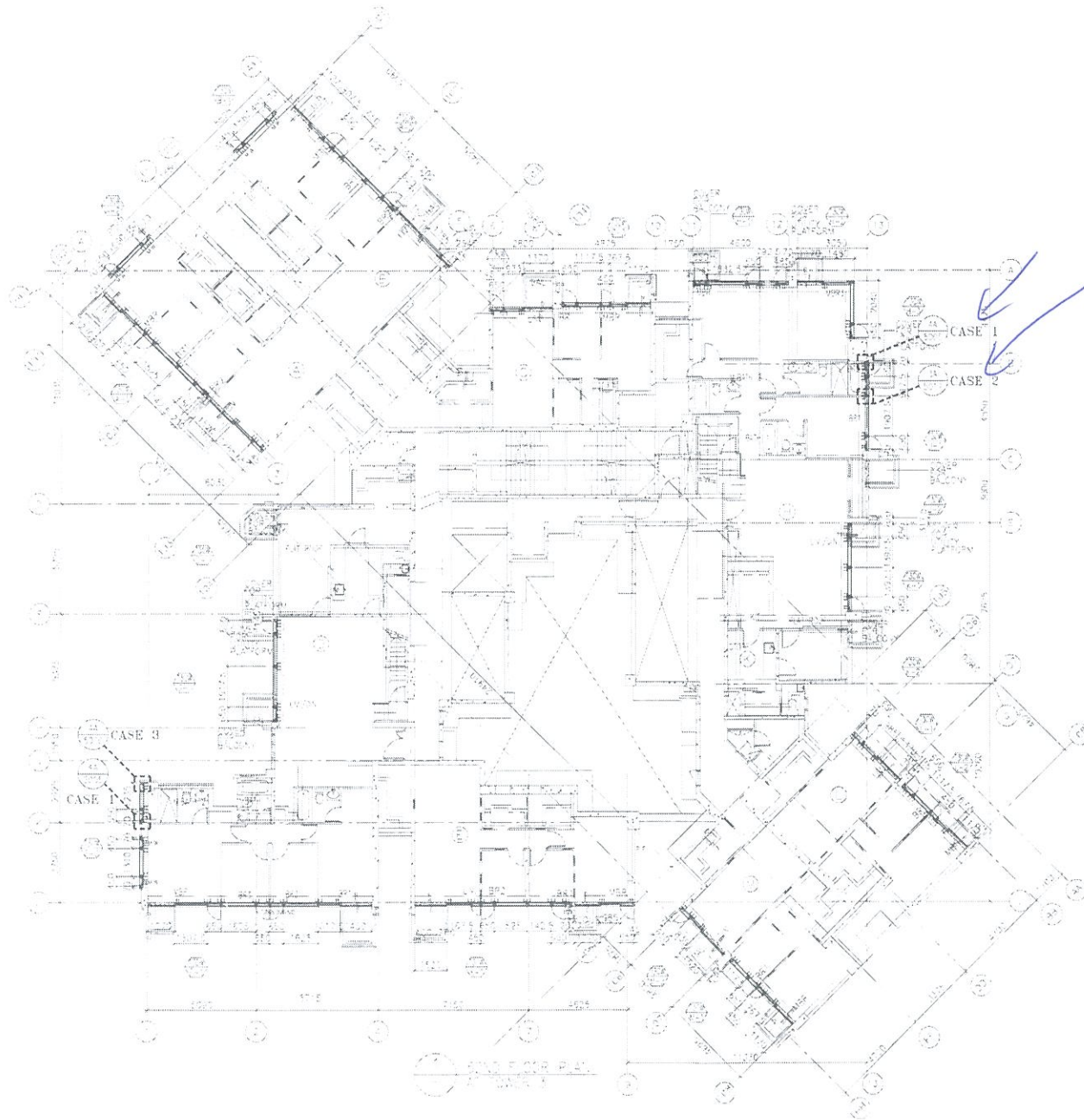
DATE: 03/11/2018

PROJECT NO: 1837-13-1102

 基特建築有限公司  
 MIDI ARCHITECTURE LIMITED  
 11/F, 12/F, 13/F, 14/F, 15/F, 16/F, 17/F, 18/F, 19/F, 20/F, 21/F, 22/F, 23/F, 24/F  
 18/F, 19/F, 20/F, 21/F, 22/F, 23/F, 24/F  
 18/F, 19/F, 20/F, 21/F, 22/F, 23/F, 24/F  
 18/F, 19/F, 20/F, 21/F, 22/F, 23/F, 24/F



T3 - TYPICAL FLOOR PLAN  
 7/F - 28/F 28/F - 51/F  
 (FLOOR NOS 13, 14, 21, 24 ARE NOT USED)



NO. 100

CLIENT  
 信和置業有限公司  
 Ind. Land Company Limited

ARCHITECT  
 WONG TUNG & PARTNERS LIMITED  
 ARCHITECTS & PLANNERS

DATE CONTRACTOR  
 CR Construction Company Limited

STRUCTURAL ENGINEER  
 ACCOM

MECHANICAL CONSULTANT  
 ACCOM

NOTES  
 1. ALL DIMENSIONS ARE IN MM.  
 2. ALL ELEVATIONS ARE VIEWED FROM OUTSIDE.  
 3. ALL DIMENSIONS TO BE VERIFIED ON SITE BEFORE CONSTRUCTION.

LEGEND  
 100% FINISH AND PAINT  
 REFER SHEET NO.  
 1. FINISH - FINISH AND PAINT LEVEL  
 2. FINISH - FINISH AND PAINT LEVEL  
 3. FINISH - FINISH AND PAINT LEVEL

NO.	DATE	REVISION
1	2011/12/14	GENERAL NOTES
2	2011/12/14	GENERAL REVISION
3	2011/12/14	GENERAL REVISION
4	2011/12/14	GENERAL REVISION

PROJECT  
 4/F-5/F CURTAIN WALL REPAIR WORK AT  
 100% FINISH AND PAINT LEVEL

DATE 2011/12/14  
 DRAWN BY ABING  
 CHECKED BY

MECHANICAL CONSULTANT  
 MIDY MECHANICAL ENGINEERING CORPORATION  
 10/F, 100, QUEEN'S ROAD EAST, HONG KONG  
 TEL: 2525 1111 FAX: 2525 1112  
 WWW.MIDY.COM.HK

T:\architect\100% Finish And Paint\100% Finish And Paint\100% Finish And Paint\100% Finish And Paint.dwg, 15/11/11



