



工程指示 / 要求簡箋(E.I.)

工程指示編號：EI / 0659 / 19

修改版次：-

工程編號：J - 837

工程名稱：觀塘裕民坊

工程項目：幕牆 特式層趟摺門 計算 BM

收件人：青哥 / 生統 /

發件人：Eric Liu

日期：05/06/2019

要求提供 /  確認 事項：

- |                                    |                                     |                               |
|------------------------------------|-------------------------------------|-------------------------------|
| <input type="checkbox"/> 初步鋁料 B.M. | <input type="checkbox"/> 加工拆圖，然後生產  | <input type="checkbox"/> 尺寸表  |
| <input type="checkbox"/> 正式鋁料 B.M. | <input type="checkbox"/> 技術上資料 / 指示 | <input type="checkbox"/> 報價   |
| <input type="checkbox"/> 配件 B.M.   | <input type="checkbox"/> 樣辦或貨品說明書   | <input type="checkbox"/> 分判合約 |
| <input type="checkbox"/> 其他：_____  |                                     |                               |

內容：

請按附圖計算特式層位置用趟摺門鋁料 BM、配件、玻璃 BM，不用加工，只計算。

1) 用 SCHUCO 趟摺門

2) 位置: T1, 50A， T2, 55G

3) 顏色: 香檳金色(EC-DG-S332054)

謝謝！

請在 2019/06/10 前完成上列要求。

附：9 頁

以上項目為：

- 原合約工程包                       原合約工程加 / 減賬                       新工程報價

原因：-

分發東莞各部門：

- ( ) 生產技術總監  連附件    ( ) 技術部  連附件    ( ) 生產部  連附件    ( ) 機械設計部  連附件  
 ( ) 採購部  連附件    ( ) 生產統籌部  連附件 抄  
 ( ) 質檢部  連附件    ( ) 會計部  連附件    ( ) 報關組  連附件    ( ) 其他 青哥 楊榮輝  連附件

分發其他分判：

- ( ) 王禮秋  連附件

分發香港各部門：

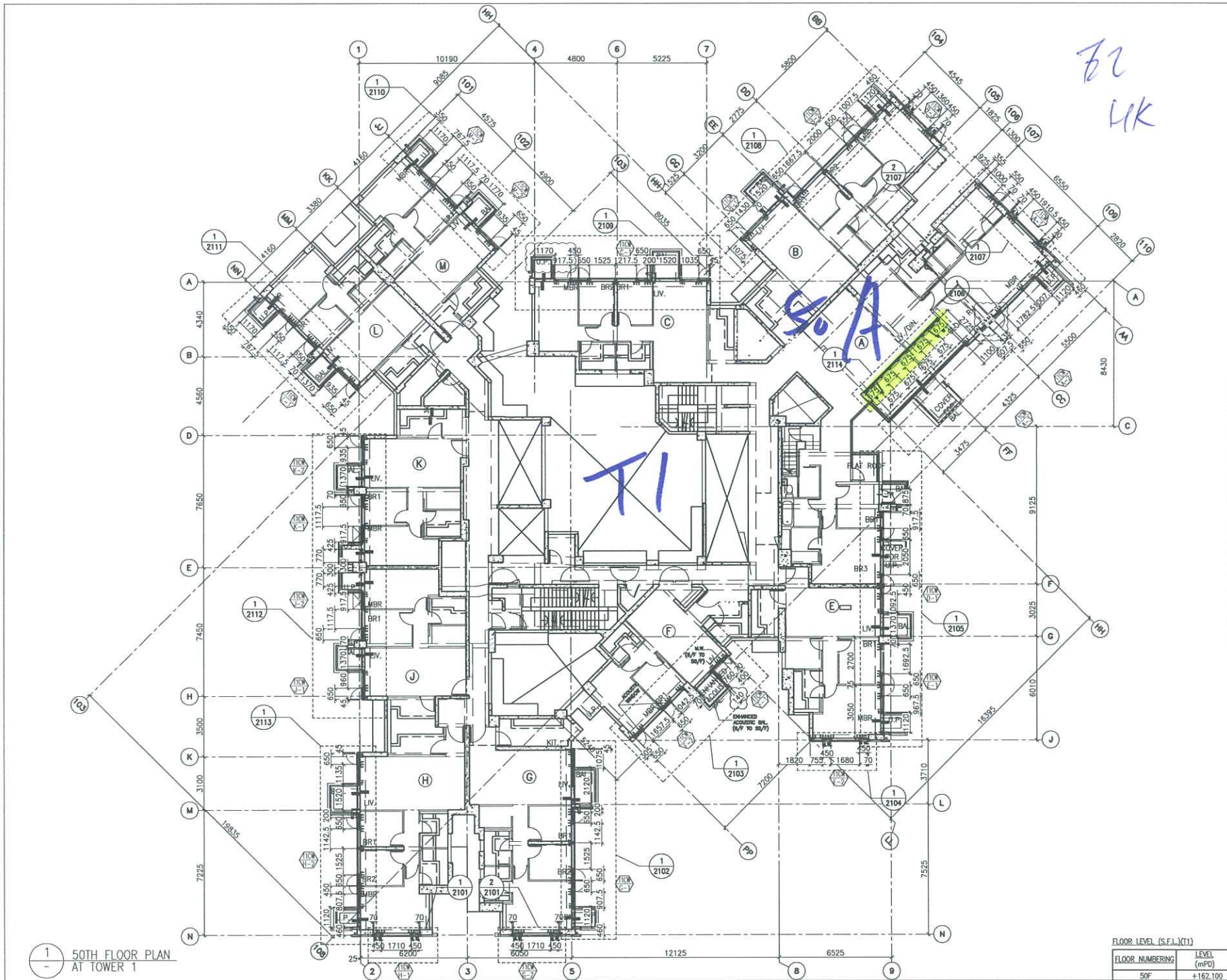
- ( ) 行政部  連附件    ( ) 會計部  連附件    ( ) 統籌部  連附件    ( ) 工程部地盤科文  連附件 X  
 ( ) 採購部  連附件    ( ) QS 部  連附件    ( ) 維修部  連附件    ( ) 其他 \_\_\_\_\_  連附件

傳遞編號：

HK / 315 / 19

發件人簽署：

項目經理簽署：



1  
-  
50TH FLOOR PLAN  
AT TOWER 1

B.D. REF :

CLIENT :  
 信和置業有限公司  
 Sino Land Company Limited

ARCHITECT :  
 WONG TUNG & PARTNERS LIMITED  
 ARCHITECTS & PLANNERS

MAIN CONTRACTOR :  
 CR Construction Company Limited

STRUCTURAL ENGINEER :  
 AECOM

FAÇADE CONSULTANT:  
 AECOM

NOTE :  
 1. ALL DIMENSIONS ARE IN mm.  
 2. ALL ELEVATIONS ARE VIEWED FROM OUTSIDE.  
 3. ALL DIMENSIONS TO BE VERIFIED ON SITE BEFORE FABRICATION.

LEGEND :  
 -- DETAIL MARK NO.  
 -- REFER SHEET NO.

1. F.F.L. --- FINISHED FLOOR LEVEL  
 2. S.F.L. --- STRUCTURAL FLOOR LEVEL  
 3. (R) --- REVERSED DETAIL.

H	07/04/2019	GENERAL	REVISED
G	21/02/2019	GENERAL	REVISED
F	28/01/2019	GENERAL	REVISED
E	19/01/2019	GENERAL	REVISED
D	22/12/2018	GENERAL	REVISED
C	01/12/2018	GENERAL	REVISED
B	24/11/2018	GENERAL	REVISED
A	11/10/2018	GENERAL	REVISED
REV.	DATE	BY	REVISION

JOB NO. : J-B37

PROJECT :  
 URA KWUN TONG TOWN CENTRE  
 REDEVELOPMENT (AREA 2 & 3) AT  
 NKIL 6514, KWUN TONG, KWLOON

TITLE :  
 50TH FLOOR PLAN  
 OF CURTAIN WALL  
 AT TOWER 1

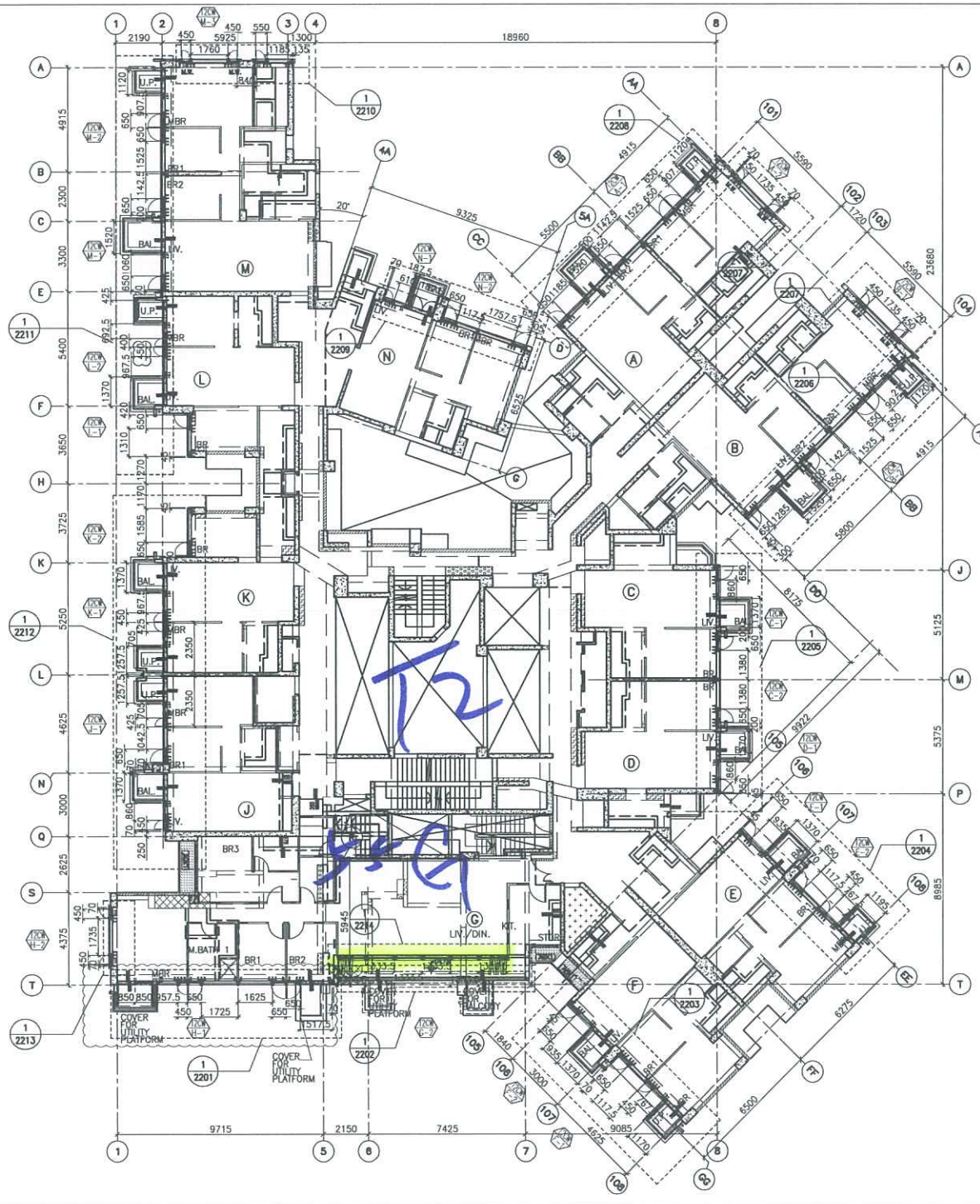
DATE : 10-SEP-18 SCALE : 1:100 (A1)

DRAWN BY : ASING CHECKED BY : -

美特鋁質有限公司  
 MIDI ALUMINIUM FABRICATOR LTD.  
 Units 6-8, Sunny Industrial Centre, 1/F  
 610 Cha Kwo Ling Road, Kwloon  
 Tel:23489211-4 Fax:(852)2727656

FLOOR LEVEL (S.F.L.)\T1	LEVEL (mPD)
50F	+162.100

DWG NO. : JB37-CW-3103 REV. : H



1 55TH FLOOR PLAN  
AT TOWER 2

B.D. REF :

CLIENT :  
 Sino Land Company Limited

ARCHITECT :  
 WONG TUNG & PARTNERS LIMITED  
ARCHITECTS & PLANNERS

MAIN CONTRACTOR :  
 CR Construction Company Limited

STRUCTURAL ENGINEER :  
 AECOM

FAÇADE CONSULTANT:  
 AECOM

NOTE :  
 1. ALL DIMENSIONS ARE IN mm.  
 2. ALL ELEVATIONS ARE VIEWED FROM OUTSIDE.  
 3. ALL DIMENSIONS TO BE VERIFIED ON SITE BEFORE FABRICATION.

LEGEND :  
 (X1) --- DETAIL MARK NO.  
 (X001) --- REFER SHEET NO.  
 1. F.F.L. --- FINISHED FLOOR LEVEL  
 2. S.F.L. --- STRUCTURAL FLOOR LEVEL  
 3. (R) --- REVERSED DETAIL.

E	07/04/2019	GENERAL	REVISED
D	21/02/2019	GENERAL	REVISED
C	19/01/2019	GENERAL	REVISED
B	22/12/2018	GENERAL	REVISED
A	24/11/2018	GENERAL	REVISED

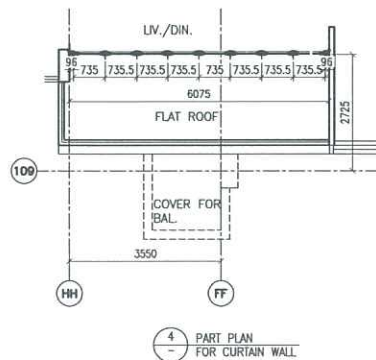
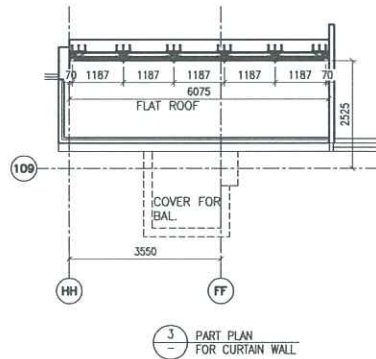
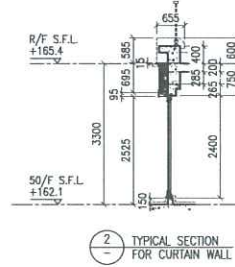
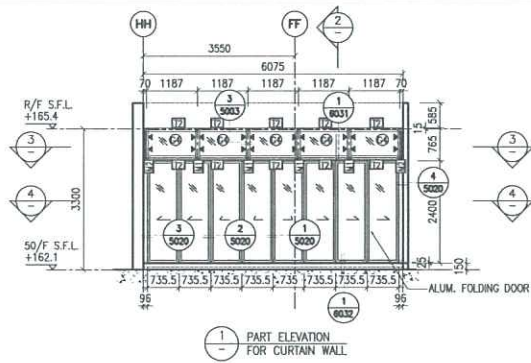
JOB NO. : J-B37  
 PROJECT :  
 URA KWUN TONG TOWN CENTRE  
 REDEVELOPMENT (AREA 2 & 3) AT  
 NKIL 6514, KWUN TONG, KWLOON

TITLE :  
 55TH FLOOR PLAN  
 OF CURTAIN WALL  
 AT TOWER 2

DATE : 10-SEP-18 SCALE : 1:100 (A1)  
 DRAWN BY : ASING CHECKED BY : -

美特鋁質有限公司  
 MIDI ALUMINUM FABRICATOR LTD.  
 Units 6-8, Suiyee Industrial Centre, 1/F  
 610 Chee Kwee Ling Road, Kwloon  
 Tel: 23489211-4 Fax: (852) 2727666  
 DWG NO. : JB37-CW-3203 REV. : E

FLOOR LEVEL (S.F.L.)(T2)	
FLOOR NUMBERING	LEVEL (mPD)
55F	+174.700



以樓身剖面為準

LEGEND:

- |  |   |  |  |
|--|---|--|--|
|  | 10 mm THK TEMPERED BLUE TINTED GLASS (OUTER) + 9 mm AIR SPACE + 8 mm THK TEMPERED CLEAR GLASS (INNER)             |  | 8 mm THK TEMPERED BLUE TINTED GLASS ( SPANDREL GLASS )   |
|  | 8 mm THK HEAT STRENGTHENED TINTED GLASS (OUTER) + 9 mm AIR SPACE + 8 mm THK HEAT STRENGTHENED CLEAR GLASS (INNER) |  | 10 mm THK TEMPERED BLUE TINTED GLASS (OUTER) + 12 mm AIR SPACE + 8 mm THK TEMPERED CLEAR GLASS (INNER) |
|  | 10 mm THK HEAT STRENGTHENED BLUE TINTED GLASS (OUTER) + 9 mm AIR SPACE + 8 mm THK TEMPERED CLEAR GLASS (INNER)    |  | 10 mm THK TEMPERED GLASS ( INTERNAL PROTECTIVE BARRIER )   |
|  | 8 mm THK HEAT STRENGTHENED BLUE TINTED GLASS ( SPANDREL GLASS )   |  | 3 mm THK ALUM. CLADDING  |
|  | 8 mm THK HEAT STRENGTHENED BLUE TINTED GLASS (OUTER) + 9 mm AIR SPACE + 8 mm THK TEMPERED CLEAR GLASS (INNER)     |  | M.W. - MAINTENANCE WINDOW  |
|  | 8 mm THK HEAT STRENGTHENED BLUE TINTED GLASS (OUTER) + 9 mm AIR SPACE + 8 mm THK TEMPERED CLEAR GLASS (INNER)     |  | S.J. - STACK JOINT   |
|  | 8 mm THK HEAT STRENGTHENED BLUE TINTED GLASS (OUTER) + 9 mm AIR SPACE + 8 mm THK TEMPERED CLEAR GLASS (INNER)     |  | AL201 - ALUM. EXTRUSION DIE NO.  |
|  | 8 mm THK HEAT STRENGTHENED BLUE TINTED GLASS (OUTER) + 9 mm AIR SPACE + 8 mm THK TEMPERED CLEAR GLASS (INNER)     |  | ▲ - SUPPORT POINT  |

B.D. REF :

CLIENT :  
 Sino Land Company Limited

ARCHITECT :  
 WONG TUNG & PARTNERS LIMITED  
 ARCHITECTS & PLANNERS

MAIN CONTRACTOR :  
 CR Construction Company Limited

STRUCTURAL ENGINEER :  
 AECOM

FAÇADE CONSULTANT:  
 AECOM

NOTE :  
 1. ALL DIMENSIONS ARE IN mm.  
 2. ALL ELEVATIONS ARE VIEWED FROM OUTSIDE.  
 3. ALL DIMENSIONS TO BE VERIFIED ON SITE BEFORE FABRICATION.

LEGEND :  
 X1 - DETAIL MARK NO.  
 X001 - REFER SHEET NO.  
 1. F.F.L. --- FINISHED FLOOR LEVEL  
 2. S.F.L. --- STRUCTURAL FLOOR LEVEL  
 3. (↔) --- REVERSED DETAIL

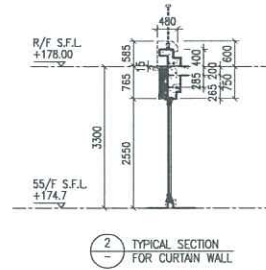
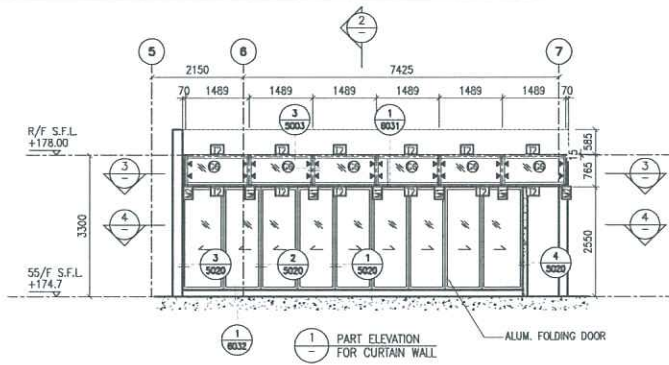
NO.	DATE	REVISED	BY

JOB NO. : J-837  
 PROJECT :  
 URA KWUN TONG TOWN CENTRE  
 REDEVELOPMENT (AREA 2 & 3) AT  
 NKIL 6514, KWUN TONG, KWLOON

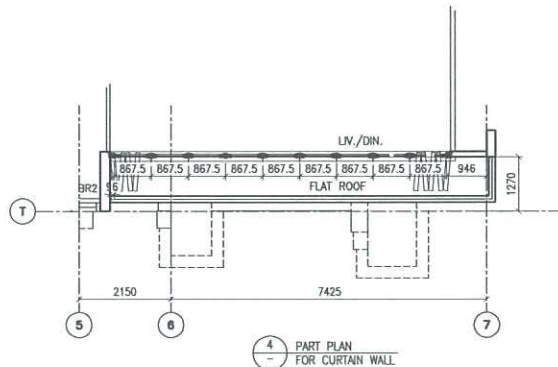
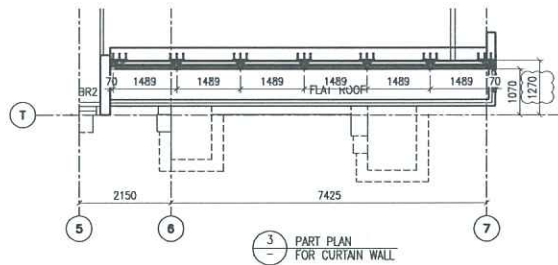
TITLE :  
 PART ELEVATION  
 OF CURTAIN WALL  
 AT TOWER 2

DATE : 18-FEB-19 SCALE : 1:60 (A1)  
 DRAWN BY : ASING CHECKED BY : -

美特鋁質有限公司  
 MIDI ALUMINIUM FABRICATOR LTD.  
 Units 5-8, Sunny Industrial Centre, 1/F  
 610 Che Kwo Ling Road, Kowloon  
 Tel:23489211-4 Fax:(852)27727666  
 DWG NO. : JB37-CW-2114 REV. : -



以程自派定標準



LEGEND:

- 10 mm THK. TEMPERED BLUE TINTED GLASS (OUTER) + 9 mm AIR SPACE + 8 mm THK. TEMPERED CLEAR GLASS (INNER)
- 8 mm THK. HEAT STRENGTHENED TINTED GLASS (OUTER) + 9 mm AIR SPACE + 8 mm THK. HEAT STRENGTHENED CLEAR GLASS (INNER)
- 10 mm THK. HEAT STRENGTHENED BLUE TINTED GLASS (OUTER) + 9 mm AIR SPACE + 8 mm THK. TEMPERED CLEAR GLASS (INNER)
- 8 mm THK. HEAT STRENGTHENED BLUE TINTED GLASS (SPANDREL GLASS)
- 8 mm THK. HEAT STRENGTHENED BLUE TINTED GLASS (OUTER) + 9 mm AIR SPACE + 8 mm THK. TEMPERED CLEAR GLASS (INNER)
- 8 mm THK. TEMPERED BLUE TINTED GLASS (SPANDREL GLASS)
- 10 mm THK. TEMPERED BLUE TINTED GLASS (OUTER) + 12 mm AIR SPACE + 8 mm THK. TEMPERED CLEAR GLASS (INNER)
- 10 mm THK. TEMPERED GLASS (INTERNAL PROTECTIVE BARRIER)
- 3 mm THK. ALUM. CLADDING
- MAINTENANCE WINDOW
- STACK JOINT
- ALUM. EXTRUSION DIE NO.
- SUPPORT POINT
- RESTRAINT SOCKET

B.D. REF :

CLIENT : 信和置業有限公司  
Sino Land Company Limited

ARCHITECT : WONG TUNG & PARTNERS LIMITED  
ARCHITECTS & PLANNERS

MAIN CONTRACTOR : CR Construction Company Limited

STRUCTURAL ENGINEER : AECOM

FAÇADE CONSULTANT : AECOM

- NOTE :
- ALL DIMENSIONS ARE IN mm.
  - ALL ELEVATIONS ARE VIEWED FROM OUTSIDE.
  - ALL DIMENSIONS TO BE VERIFIED ON SITE BEFORE FABRICATION.
- LEGEND :
- DETAIL MARK NO.
  - REFER SHEET NO.
- F.F.L. --- FINISHED FLOOR LEVEL.
  - S.F.L. --- STRUCTURAL FLOOR LEVEL.
  - REVERSED DETAIL.

A	16/05/2019	GENERAL REVISED
NO.	DATE	REVISION

JOB NO. : J-837

PROJECT : URA KWUN TONG TOWN CENTRE REDEVELOPMENT (AREA 2 & 3) AT NKIL 6514, KWUN TONG, KWLOON

TITLE : PART ELEVATION OF CURTAIN WALL AT TOWER 2

DATE : 18-FEB-19 SCALE : 1:60 (A1)

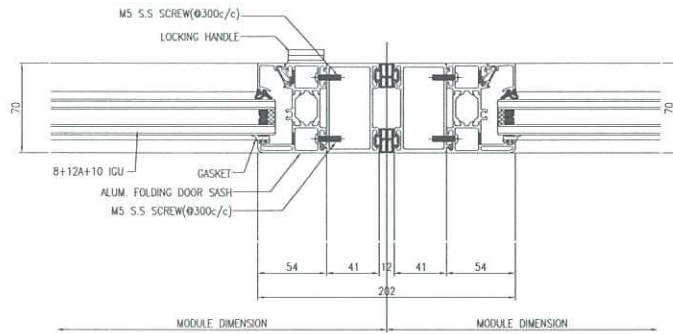
DRAWN BY : ASING CHECKED BY : -

美特鋁質有限公司  
MIDI ALUMINIUM FABRICATOR LTD.  
Units 6-8, Sunny Industrial Centre, 1/F  
610 Cha Kwo Ling Road, Kowloon  
Tel: 23489211-4 Fax: (852) 27727666

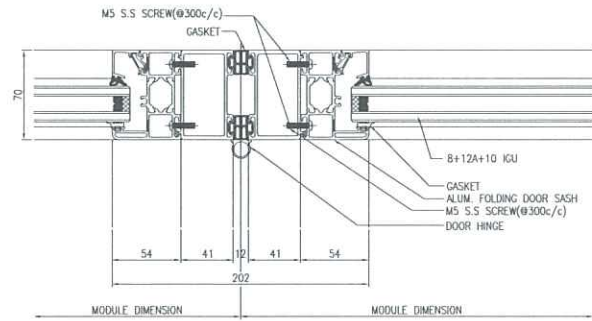
DWG NO. : JB37-CW-2214 REV. : A



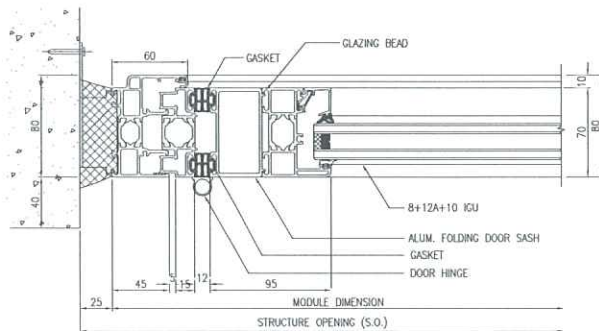




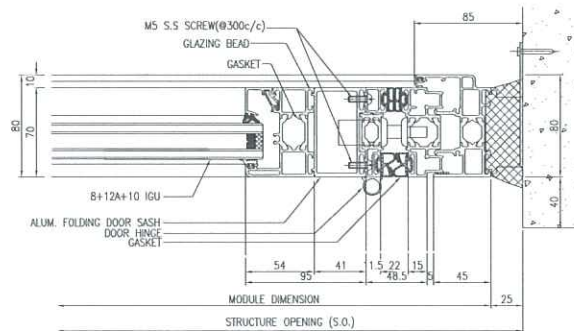
1  
5020 TYPICAL MULLION DETAIL  
CURTAIN WALL



2  
5020 TYPICAL MULLION DETAIL  
CURTAIN WALL



3  
5020 TYPICAL MULLION DETAIL  
CURTAIN WALL



4  
5020 TYPICAL MULLION DETAIL  
CURTAIN WALL

B.D. REF :

CLIENT :  
信和置業有限公司  
Sino Land Company Limited

ARCHITECT :  
WONG TUNG & PARTNERS LIMITED  
ARCHITECTS & PLANNERS  
WT

MAIN CONTRACTOR :  
CR Construction Company Limited

STRUCTURAL ENGINEER :  
AECOM

FACADE CONSULTANT:  
AECOM

NOTE :  
1. ALL DIMENSIONS ARE IN mm.  
2. ALL ELEVATIONS ARE VIEWED FROM OUTSIDE.  
3. ALL DIMENSIONS TO BE VERIFIED ON SITE BEFORE FABRICATION.

LEGEND :  
X1 -- DETAIL MARK NO.  
X001 -- REFER SHEET NO.

1. F.F.L. -- FINISHED FLOOR LEVEL  
2. S.F.L. -- STRUCTURAL FLOOR LEVEL  
3. (R) -- REVERSED DETAIL

NO.	DATE	REVISED	BY

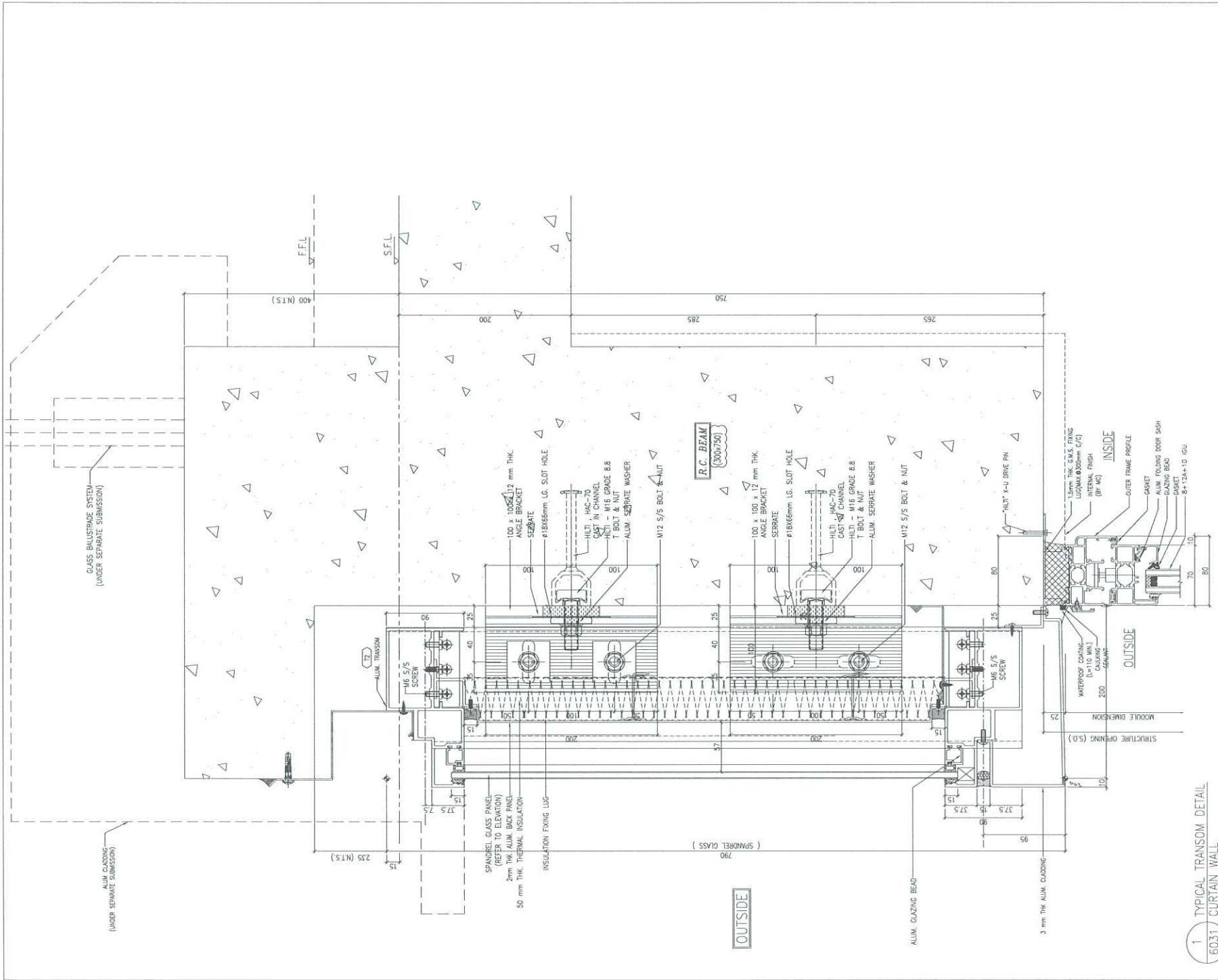
JOB NO. : J-B57  
PROJECT : URA KWUN TONG TOWN CENTRE  
REDEVELOPMENT (AREA 2 & 3) AT  
NKIL 6514, KWUN TONG, KWLOON

TITLE : TYPICAL MULLION DETAIL  
FOR CURTAIN WALL

DATE : 28-JAN-19 SCALE : 1:2 (A1)  
DRAWN BY : ASING CHECKED BY : -

美特鋁質有限公司  
MIDI ALUMINUM FABRICATOR LTD.  
Units 5-8, Sunray Industrial Centre, 1/F  
610 Cho Kwong Road, Kowloon  
Tel: 23489211-4 Fax: (852) 2727666

DWG NO. : JB37-CW-5020 REV. : -



1 TYPICAL TRANSOM DETAIL  
6031 CURTAIN WALL FOR ALUM. FOLDING DOOR

B.D. REF :

CLIENT :  
信和置業有限公司  
Sino Land Company Limited

ARCHITECT :  
WONG TUNG & PARTNERS LIMITED  
ARCHITECTS & PLANNERS  
WT

MAIN CONTRACTOR :  
CR Construction Company Limited

STRUCTURAL ENGINEER :  
AECOM

FACADE CONSULTANT:  
AECOM

NOTE :  
1. ALL DIMENSIONS ARE IN mm.  
2. ALL ELEVATIONS ARE VIEWED FROM OUTSIDE.  
3. ALL DIMENSIONS TO BE VERIFIED ON SITE BEFORE FABRICATION.

LEGEND :  
X1 -- DETAIL MARK NO.  
X001 -- REFER SHEET NO.  
1. F.F.L. -- FINISHED FLOOR LEVEL  
2. S.F.L. -- STRUCTURAL FLOOR LEVEL  
3. (R) -- REVERSED DETAIL

NO.	DATE	REVISED	BY
JOB NO. : J-B37			
PROJECT : URA KWUN TONG TOWN CENTRE REDEVELOPMENT (AREA 2 & 3) AT NKIL 6514, KWUN TONG, KWLOON			
TITLE : TYPICAL TRANSOM DETAIL FOR CURTAIN WALL			

DATE : 18-FEB-19 SCALE : 1:2 (A1)  
DRAWN BY : ASING CHECKED BY : -  
美特鋁質有限公司  
MIDI ALUMINIUM FABRICATOR LTD.  
Units 6-8, Sunray Industrial Centre, 1/F  
510 Chee Wee Ling Road, Kowloon  
Tel: 23489211-4 Fax: (852) 27727666  
DWG NO. : JB37-CW-6031 REV. : -

