



工程指示 / 要求簡箋(E.I.)

工程指示編號：EI / 0654 / 19

修改版次：-

工程編號：J - 837

工程名稱：觀塘裕民坊

工程項目：幕牆特色層 第二浸預留碼 (Channel、絲桿、EM03)

收件人：Maggie

發件人：Eric Liu

日期：03/06/2019

要求提供 / 確認 事項：

- |                                    |                                     |                               |
|------------------------------------|-------------------------------------|-------------------------------|
| <input type="checkbox"/> 初步鋁料 B.M. | <input type="checkbox"/> 加工拆圖，然後生產  | <input type="checkbox"/> 尺寸表  |
| <input type="checkbox"/> 正式鋁料 B.M. | <input type="checkbox"/> 技術上資料 / 指示 | <input type="checkbox"/> 報價   |
| <input type="checkbox"/> 配件 B.M.   | <input type="checkbox"/> 樣辦或貨品說明書   | <input type="checkbox"/> 分判合約 |
| <input type="checkbox"/> 其他：_____  |                                     |                               |

內容：

請按 BM 訂購和加工圖生產預留碼。

EM03 預留碼以往在 EI 9486 曾經訂過，如有倉存，請使用倉存出貨。

EM03 驗焊：Visual 100%，MPI 10% 謝謝！

因幕牆特色層和轉層，會有兩浸預留碼。所以要加訂作使用。

地盆請留意，要留兩浸碼的位置。 謝謝！

請在 2019 / 06 / 21 前完成上列要求。

附：-

以上項目為：

- 原合約工程包                       原合約工程加 / 減賬                       新工程報價

原因：-

分發東莞各部門：

- ( ) 生產技術總監  連附件 ( ) 技術部  連附件 *永* ( ) 生產部  連附件 ( ) 機械設計部  連附件  
 ( ) 採購部  連附件 ( ) 生產統籌部  連附件 *楊*  
 ( ) 質檢部  連附件 ( ) 會計部  連附件 ( ) 報關組  連附件 ( ) 其他 楊榮輝  連附件

分發香港各部門：

- ( ) 行政部  連附件 ( ) 會計部  連附件 ( ) 統籌部  連附件 ( ) 工程部地盤科文  連附件 *火*  
 ( ) 採購部  連附件 ( ) QS 部  連附件 ( ) 維修部  連附件 ( ) 其他 \_\_\_\_\_  連附件

傳遞編號：

HK 1290 / 19

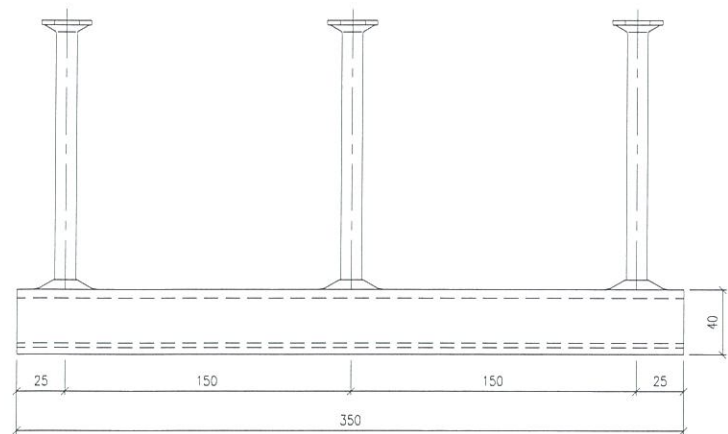
發件人簽署：

項目經理簽署：

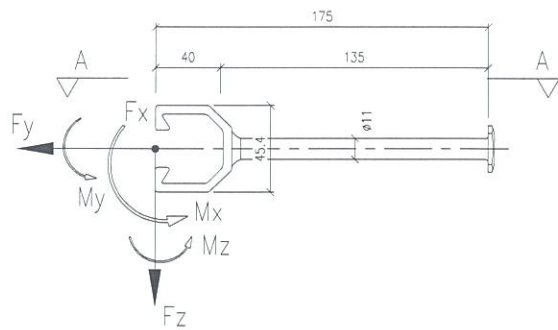
*Eric Liu*

|  <b>美特鋁質</b> 有限公司<br>MIDI Aluminium Fabricator Ltd. |                    | 工程號:               | J-837                            | 計算:       |    | 日期:      |        | 送呈:                 |           |          |                                    |
|---|--------------------|--------------------|----------------------------------|-----------|----|----------|--------|---------------------|-----------|----------|------------------------------------|
|   |                    | 地盤名稱:              | 觀塘裕民坊                            | 核對:       |    | 日期:      |        | 副本:                 |           |          |                                    |
| <b>地盤用鐵件BM表</b>   |                    | 項目類別:              | 幕牆(預埋碼)(頂樓非標準層+R/F)              | 批准:       |    | 日期:      |        |                     |           |          |                                    |
| BM編號:   | 837-CW-M01-S-PP01A | 修改版次:              | EI0654                           | A/C Code: |    | 鐵件總重量KG: | 374.60 | 此BM依據EI/9563/18資料計算 |           |          |                                    |
| 序號  | 修改內容               | 鐵件圖號               | 鐵件名稱                             | 顏色        | 實用 | 後備       | 總數     | 單位                  | 單件/件 (kg) | 總重量 (kg) | 備注                                 |
| 1   |                    | E01                | HILTI CHANNEL HAC-70 350F        | 熱浸鋅       | 42 | 28       | 70     | 件                   | 1.85      | 129.47   | 長腳                                 |
| 2   |                    | <b>HILTI HBC-C</b> | M16x80mm長T型螺栓 (Grade 8.8)        | Grade 8.8 | 84 | 56       | 140    | 件                   |           |          |                                    |
| 3   |                    | E02                | HILTI CHANNEL HAC-50 350F        | 熱浸鋅       | 5  | 3        | 8      | 件                   | 1.85      | 14.8     | 短腳                                 |
| 4   |                    | HILTI HBC-C        | M16x80mm長T型螺栓(Grade 8.8)         | Grade 8.8 | 10 | 6        | 16     | 件                   |           |          |                                    |
| 5   |                    | E03                | 16mm G.M.S 鐵片+直徑12mm圓鐵 (GR.S275) | 熱浸鋅       | 30 | 10       | 40     | 件                   | 3.52      | 140.80   | 有焊                                 |
| 6   |                    |                    | 30*30*8mm介子 (E03款用) (GR.S275)    | 熱浸鋅       | 60 | 20       | 80     | 件                   |           |          | E03用                               |
| 7   |                    | E04                | M16螺紋鋼 (GR.8.8)+3mm鐵片 (GR.S275)  | 熱浸鋅       | 5  | 1        | 6      | 套                   | 2.16      | 12.93    | 轉角用,每套2支螺紋鋼, 1鐵片, 8螺母, 2介子, 2套鐵平彈介 |
| 8   |                    |                    | 60x60x10mm介子 (GR.S275)(E04款用)    | 熱浸鋅       | 10 | 2        | 12     | 件                   | 0.57      | 6.78     | E04用                               |
| 9   |                    | E05                | M16螺紋鋼 (GR.8.8)+3mm鐵片 (GR.S275)  | 熱浸鋅       | 8  | 7        | 15     | 套                   | 1.46      | 21.84    | 每套2支螺紋鋼, 1鐵片, 8螺母, 2介子, 2套鐵平彈介     |
| 10  |                    |                    | 60x60x10mm介子 (GR.S275)(E05款用)    | 熱浸鋅       | 16 | 14       | 30     | 件                   | 0.57      | 16.95    | E05用                               |
| 9   |                    | E06                | M16螺紋鋼 (GR.8.8)+3mm鐵片 (GR.S275)  | 熱浸鋅       | 10 | 2        | 12     | 套                   | 1.46      | 17.47    | 每套2支螺紋鋼, 1鐵片, 8螺母, 2介子, 2套鐵平彈介     |
| 10  |                    |                    | 60x60x10mm介子 (GR.S275)(E06款用)    | 熱浸鋅       | 20 | 4        | 24     | 件                   | 0.57      | 13.56    | E06用                               |
| 11  |                    |                    | M16鐵彈介                           | 熱浸鋅       | 46 | 20       | 66     | 件                   |           |          | E04,E05.E06款用                      |

|  <b>美特鋁質</b> 有限公司<br>MIDI Aluminium Fabricator Ltd. |              | 工程號: J-837                | 計算:             | 日期:                 | 送呈: |    |     |    |           |          |               |
|--|--------------|---------------------------|-----------------|---------------------|-----|----|-----|----|-----------|----------|---------------|
|  |              | 地盤名稱: 觀塘裕民坊               | 核對:             | 日期:                 | 副本: |    |     |    |           |          |               |
| <b>地盤用鐵件BM表</b>  |              | 項目類別: 幕牆(預埋碼)(頂樓非標準層+R/F) | 批准:             | 日期:                 |     |    |     |    |           |          |               |
| BM編號: 837-CW-M01-S-PP01A   | 修改版次: EI0654 | A/C Code:                 | 鐵件總重量KG: 374.60 | 此BM依據EI/9563/18資料計算 |     |    |     |    |           |          |               |
| 序號   | 修改內容         | 鐵件圖號                      | 鐵件名稱            | 顏色                  | 實用  | 後備 | 總數  | 單位 | 單件/件 (kg) | 總重量 (kg) | 備注            |
| 12   |              |                           | M16鐵螺母 (GR.10)  | 熱浸鋅                 | 184 | 80 | 264 | 粒  |           |          | E04,E05.E06款用 |
| 13   |              |                           | M16鐵平介          | 熱浸鋅                 | 46  | 20 | 66  | 件  |           |          | E04,E05.E06款用 |
| 14   |              |                           | 合計:             |                     |     |    | 849 |    |           | 374.599  |               |



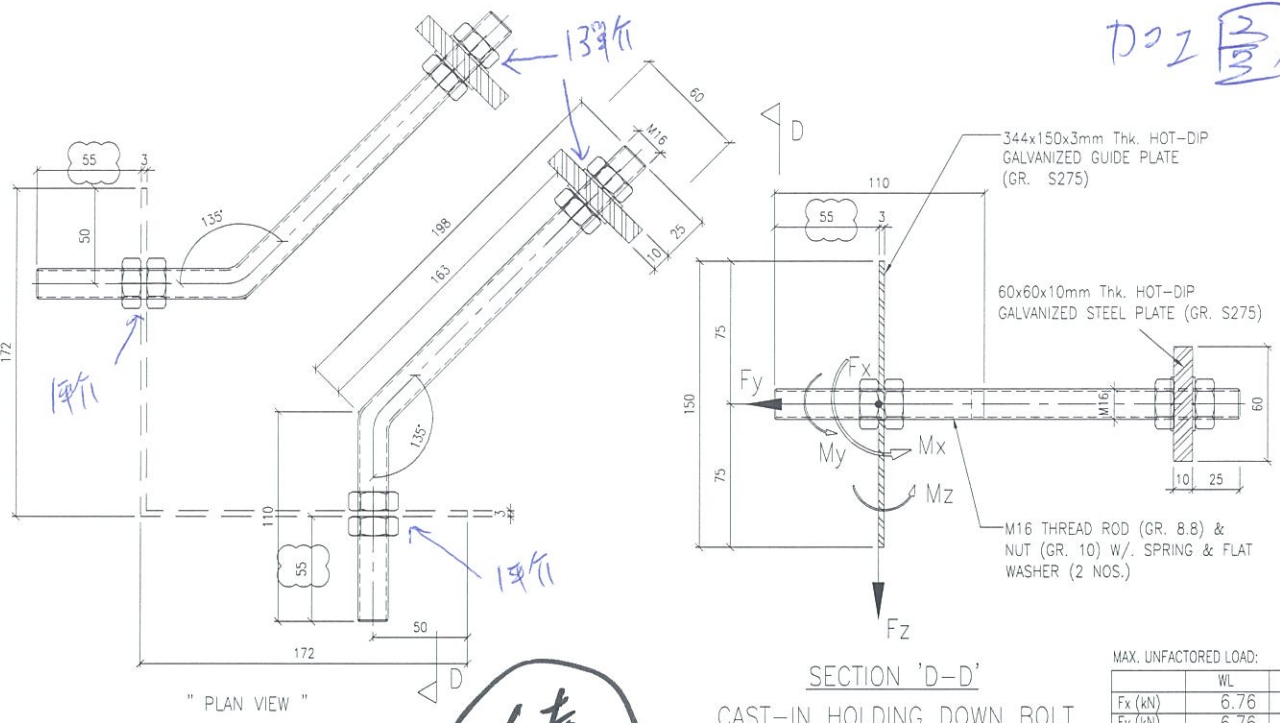
SECTION 'A-A'  
HILTI CHANNEL HAC-70



70件

| MAX. UNFACTORED LOAD: |      |     |
|-----------------------|------|-----|
|                       | WL   | DL  |
| F <sub>x</sub> (kN)   | 0    | 0   |
| F <sub>y</sub> (kN)   | 23.5 | 0   |
| F <sub>z</sub> (kN)   | 0    | 3.5 |
| M <sub>x</sub> (kNm)  | 0.6  | 0.6 |
| M <sub>y</sub> (kNm)  | 0    | 0   |
| M <sub>z</sub> (kNm)  | 0    | 0   |

EMBED TYPE : E04



" PLAN VIEW "

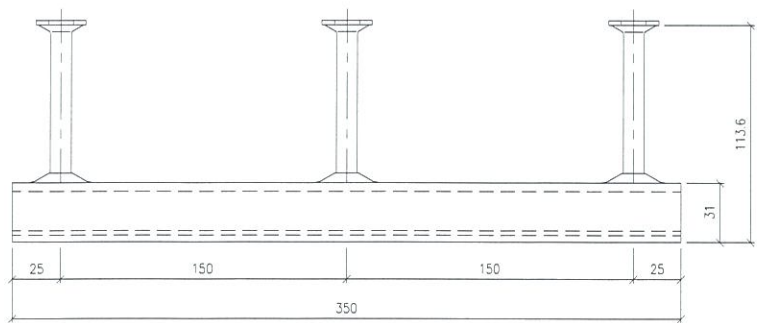
SECTION 'D-D'  
CAST-IN HOLDING DOWN BOLT

| MAX. UNFACTORED LOAD: |      |      |
|-----------------------|------|------|
|                       | WL   | DL   |
| F <sub>x</sub> (kN)   | 6.76 | 0    |
| F <sub>y</sub> (kN)   | 6.76 | 0    |
| F <sub>z</sub> (kN)   | 0    | 1.75 |
| M <sub>x</sub> (kNm)  | 0    | 0    |
| M <sub>y</sub> (kNm)  | 0    | 0    |
| M <sub>z</sub> (kNm)  | 0    | 0    |

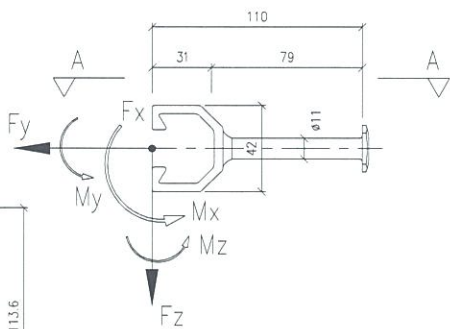
6套

EMBED TYPE : E04

EMBED TYPE : E01



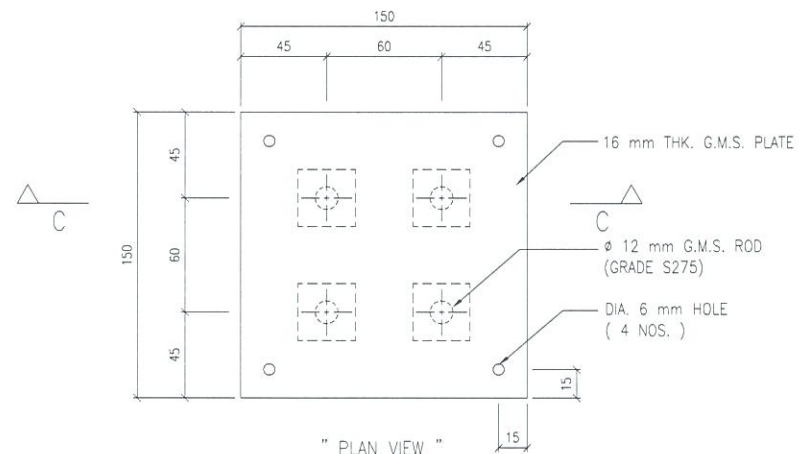
SECTION 'A-A'  
HILTI CHANNEL HAC-50



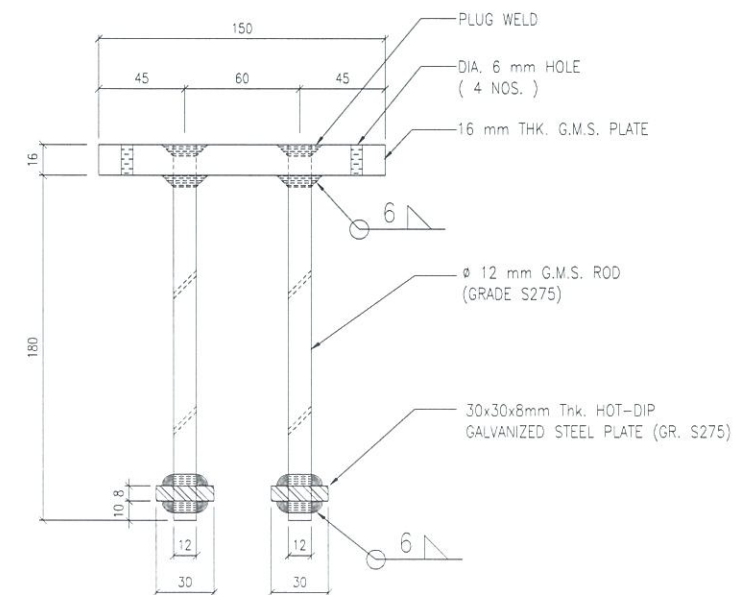
81件

| MAX. UNFACTORED LOAD: |    |    |
|-----------------------|----|----|
|                       | WL | DL |
| F <sub>x</sub> (kN)   |    |    |
| F <sub>y</sub> (kN)   |    |    |
| F <sub>z</sub> (kN)   |    |    |
| M <sub>x</sub> (kNm)  |    |    |
| M <sub>y</sub> (kNm)  |    |    |
| M <sub>z</sub> (kNm)  |    |    |

EMBED TYPE : E03



" PLAN VIEW "



SECTION 'C-C'

" CAST IN EMBED DETAILED DIMENSION "

40套

EMBED TYPE : E02

B.D. REF :

CLIENT :

信和置業有限公司  
Sino Land Company Limited

ARCHITECT :

WONG TUNG & PARTNERS LIMITED  
ARCHITECTS & PLANNERS



MAIN CONTRACTOR :

CR Construction Company Limited

STRUCTURAL ENGINEER :

AECOM

FACADE CONSULTANT:

AECOM

NOTE :

- ALL DIMENSIONS ARE IN mm.
- ALL ELEVATIONS ARE VIEWED FROM OUTSIDE.
- ALL DIMENSIONS TO BE VERIFIED ON SITE BEFORE FABRICATION.

LEGEND :

- X1 --- DETAIL MARK NO.
- X001 --- REFER SHEET NO.

- F.F.L. --- FINISHED FLOOR LEVEL
- S.F.L. --- STRUCTURAL FLOOR LEVEL
- (R) --- REVERSED DETAIL

| NO. | DATE      | REVISION        | BY |
|-----|-----------|-----------------|----|
| A   | 10/9/2018 | GENERAL REVISED |    |

JOB NO. : J-837

PROJECT :  
URA KWUN TONG TOWN CENTRE  
REDEVELOPMENT (AREA 2 & 3) AT  
NKIL 6514, KWUN TONG, KWLOON

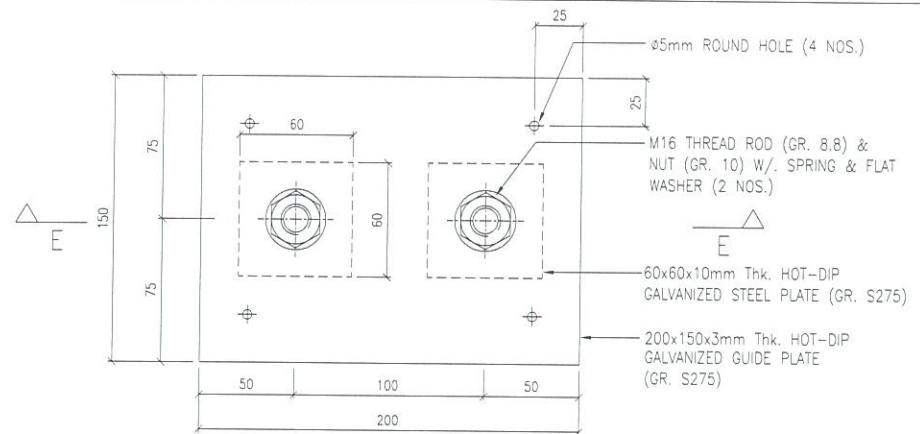
TITLE :  
CAST IN CHANNEL &  
EMBED TYPICAL DETAILS  
FOR CURTAIN WALL

DATE : 04-JUL-18 SCALE : 1:2 (A1)

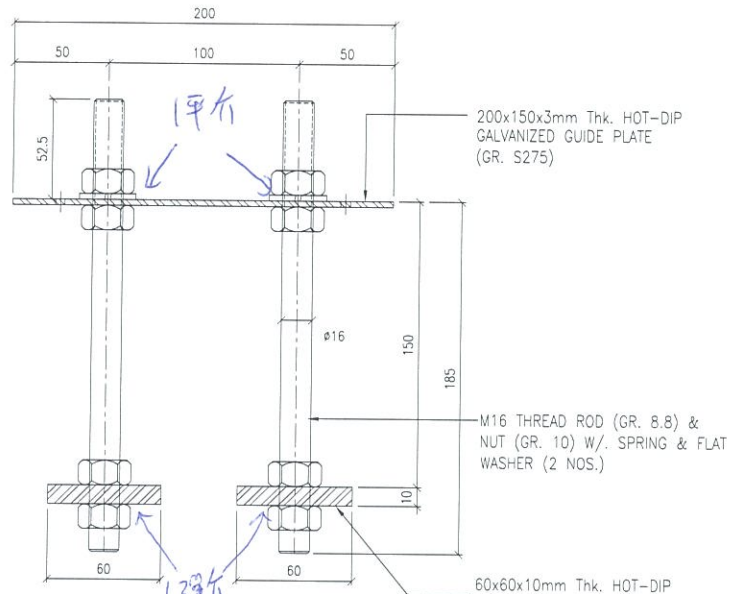
DRAWN BY : ASING CHECKED BY : -

美特鋁質有限公司  
MIDI ALUMINIUM FABRICATOR LTD.  
Units 6-8, Sunray Industrial Centre, 1/F  
610 Cha Kwo Ling Road, Kowloon  
Tel:23489211-4 Fax:(852)27727666

DWG NO. : JB37-CW-ED01 REV. : A

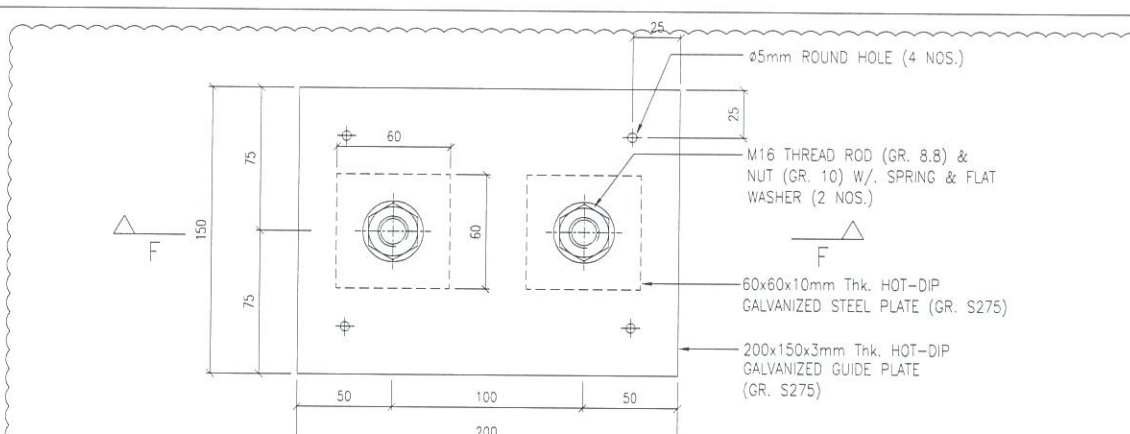


" PLAN VIEW "

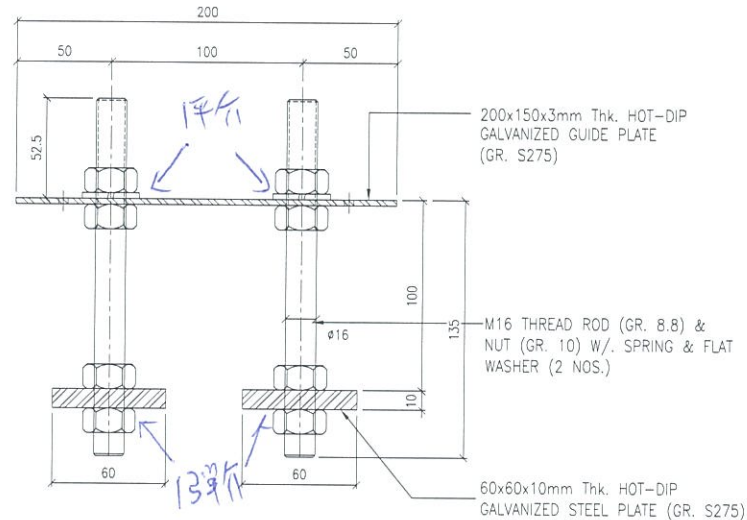


SECTION 'E-E'  
CAST-IN HOLDING DOWN BOLT

15樓



" PLAN VIEW "



SECTION 'F-F'  
CAST-IN HOLDING DOWN BOLT

12樓

T92

B.D. REF :

CLIENT :  
信和置業有限公司  
Sino Land Company Limited

ARCHITECT :  
WONG TUNG & PARTNERS LIMITED  
ARCHITECTS & PLANNERS

MAIN CONTRACTOR :  
CR Construction Company Limited

STRUCTURAL ENGINEER :  
AECOM

FACADE CONSULTANT:  
AECOM

NOTE :  
1. ALL DIMENSIONS ARE IN mm.  
2. ALL ELEVATIONS ARE VIEWED FROM OUTSIDE.  
3. ALL DIMENSIONS TO BE VERIFIED ON SITE BEFORE FABRICATION.

LEGEND :  
X1 --- DETAIL MARK NO.  
X001 --- REFER SHEET NO.

1. F.F.L. --- FINISHED FLOOR LEVEL  
2. S.F.L. --- STRUCTURAL FLOOR LEVEL  
3. (R) --- REVERSED DETAIL

|     |           |                 |
|-----|-----------|-----------------|
| A   | 10/9/2018 | GENERAL REVISED |
| NO. | DATE      | REVISED BY      |

JOB NO. : J-837  
PROJECT :  
URA KWUN TONG TOWN CENTRE  
REDEVELOPMENT (AREA 2 & 3) AT  
NKIL 6514, KWUN TONG, KWLOON

TITLE :  
CAST IN CHANNEL &  
EMBED TYPICAL DETAILS  
FOR CURTAIN WALL

DATE : 04-JUL-18 SCALE : 1:2 (A1)

DRAWN BY : ASING CHECKED BY : -

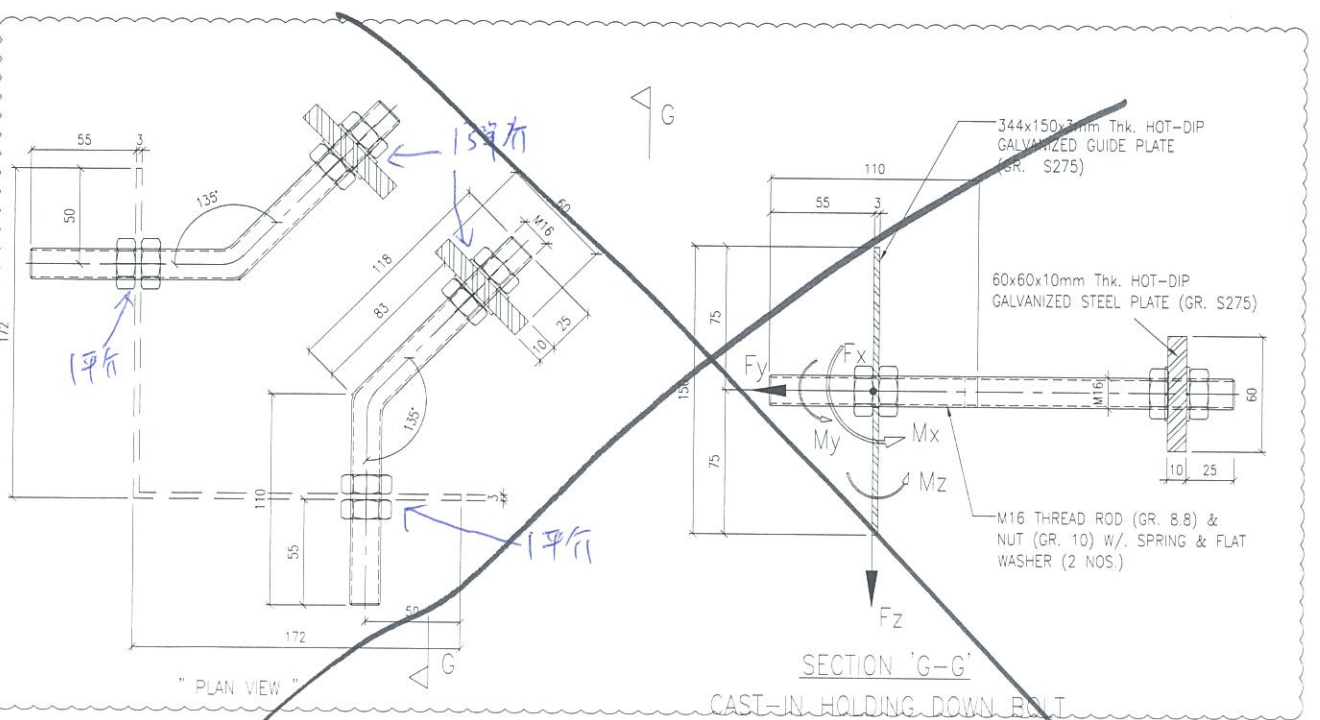
美特鋁質有限公司  
MIDI ALUMINIUM FABRICATOR LTD.  
Units 6-8, Sunray Industrial Centre, 1/F  
610 Cha Kwo Ling Road, Kowloon  
Tel: 23489211-4 Fax: (852) 27727666

DWG NO. : J837-CW-ED02 REV. : A

EMBED TYPE : E05

EMBED TYPE : E06

EMBED TYPE : E07



SECTION 'G-G'  
CAST-IN HOLDING DOWN BOLT

72656 LK 1290

2019. 5. 31

| T1   |     |     |     |     |     |     |     |     |     |     |     | T2   |     |     |     |     |     |     |     |     |     |     |     |
|------|-----|-----|-----|-----|-----|-----|-----|-----|-----|-----|-----|------|-----|-----|-----|-----|-----|-----|-----|-----|-----|-----|-----|
| 50/F |     |     |     |     |     | R   |     |     |     |     |     | 55/F |     |     |     |     |     | R   |     |     |     |     |     |
| E01  | E02 | E03 | E04 | E05 | E06 | E01 | E02 | E03 | E04 | E05 | E06 | E01  | E02 | E03 | E04 | E05 | E06 | E01 | E02 | E03 | E04 | E05 | E06 |
| 4    | 0   | 2   | 1   | 1   | 0   | 6   | 1   | 1   | 1   | 0   | 2   | 5    | 0   | 3   | 0   | 3   | 0   | 7   | 1   | 0   | 0   | 0   | 2   |

R 1/F  
R-1/F.

| T3   |     |     |     |     |     |     |     |     |     |     |     | T5   |     |     |     |     |     |     |     |     |     |     |     |
|------|-----|-----|-----|-----|-----|-----|-----|-----|-----|-----|-----|------|-----|-----|-----|-----|-----|-----|-----|-----|-----|-----|-----|
| 52/F |     |     |     |     |     | R   |     |     |     |     |     | 51/F |     |     |     |     |     | R   |     |     |     |     |     |
| E01  | E02 | E03 | E04 | E05 | E06 | E01 | E02 | E03 | E04 | E05 | E06 | E01  | E02 | E03 | E04 | E05 | E06 | E01 | E02 | E03 | E04 | E05 | E06 |
| 14   | 0   | 8   | 1   | 3   | 0   | 0   | 0   | 0   | 1   | 0   | 0   | 6    | 2   | 16  | 0   | 1   | 4   | 0   | 1   | 0   | 1   | 0   | 2   |

| E01 | E02 | E03 | E04 | E05 | E06 |       |
|-----|-----|-----|-----|-----|-----|-------|
| 42  | 5   | 30  | 5   | 8   | 10  | use   |
| +   | +   | +   | +   | +   | +   |       |
| 28  | 3   | 10  | 1   | 7   | 2   | Spare |
| =   | =   | =   | =   | =   | =   |       |
| 70  | 8   | 40  | 6   | 15  | 12  | Total |

LEGEND :

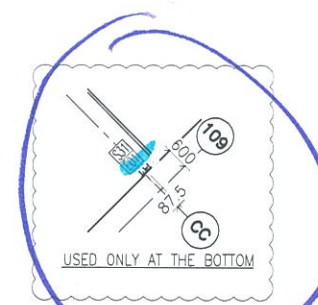
E01 = HILIT, HAC-70  
CAST IN CHANNEL

E02 = HILIT, HAC-50  
CAST IN CHANNEL

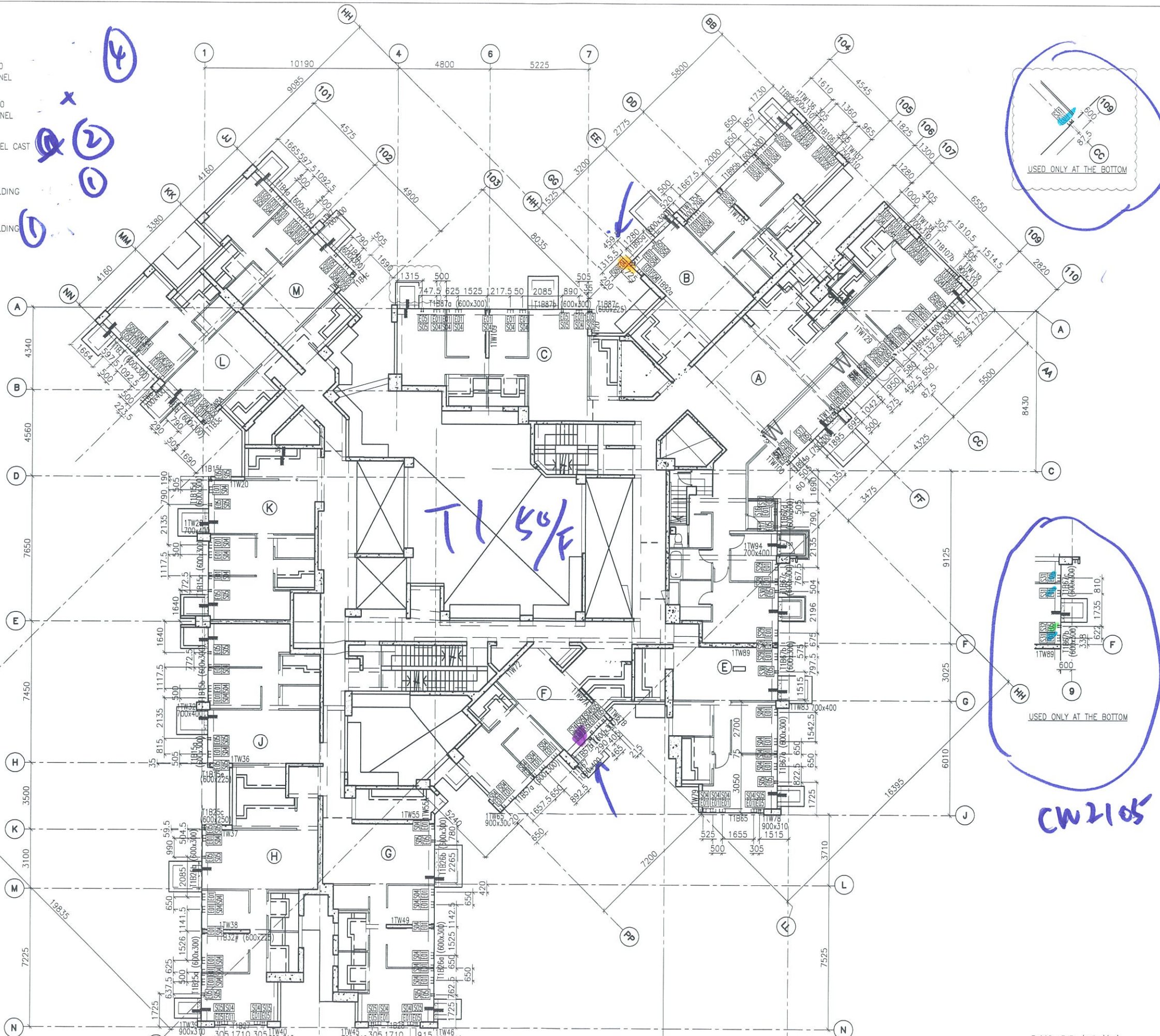
E03 = GAL. MILD STEEL CAST  
IN EMBED

E04 = CAST-IN HOLDING  
DOWN BOLT

E05 = CAST-IN HOLDING  
DOWN BOLT



CW2106



B.D. REF :

CLIENT :  
信和置業有限公司  
Sino Land Company Limited

ARCHITECT :  
WONG TUNG & PARTNERS LIMITED  
ARCHITECTS & PLANNERS

MAIN CONTRACTOR :  
CR Construction Company Limited

STRUCTURAL ENGINEER :  
AECOM

FACADE CONSULTANT :  
AECOM

NOTE :  
1. ALL DIMENSIONS ARE IN mm.  
2. ALL ELEVATIONS ARE VIEWED FROM OUTSIDE.  
3. ALL DIMENSIONS TO BE VERIFIED ON SITE BEFORE FABRICATION.

LEGEND :  
X1 --- DETAIL MARK NO.  
X001 --- REFER SHEET NO.  
1. F.F.L. --- FINISHED FLOOR LEVEL  
2. S.F.L. --- STRUCTURAL FLOOR LEVEL  
3. /R --- REVERSED DETAIL

| NO. | DATE       | REVISED         | BY |
|-----|------------|-----------------|----|
| I   | 07/04/2019 | GENERAL REVISED |    |
| H   | 28/01/2019 | GENERAL REVISED |    |
| G   | 19/01/2019 | GENERAL REVISED |    |
| F   | 13/01/2019 | GENERAL REVISED |    |
| E   | 22/12/2018 | GENERAL REVISED |    |
| D   | 01/12/2018 | GENERAL REVISED |    |
| C   | 08/11/2018 | GENERAL REVISED |    |
| B   | 13/10/2018 | GENERAL REVISED |    |
| A   | 14/9/2018  | GENERAL REVISED |    |

JOB NO. : J-837  
PROJECT :  
URA KWUN TONG TOWN CENTRE  
REDEVELOPMENT (AREA 2 & 3) AT  
NKIL 6514, KWUN TONG, KWLOON

TITLE :  
50TH FLOOR EMBED LAYOUT PLAN  
OF CURTAIN WALL  
AT TOWER 1

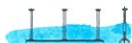
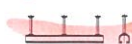




DATE : 10-SEP-18 SCALE : 1:100 (A1)  
DRAWN BY : ASING CHECKED BY : -

美特鋁質有限公司  
MIDI ALUMINIUM FABRICATOR LTD.  
Units 6-8, Sunray Industrial Centre, 1/F  
610 Cha Kwo Ling Road, Kowloon  
Tel: 23489211-4 Fax: (852) 2727666  
DWG NO. : J837-CW-1105 REV. : I

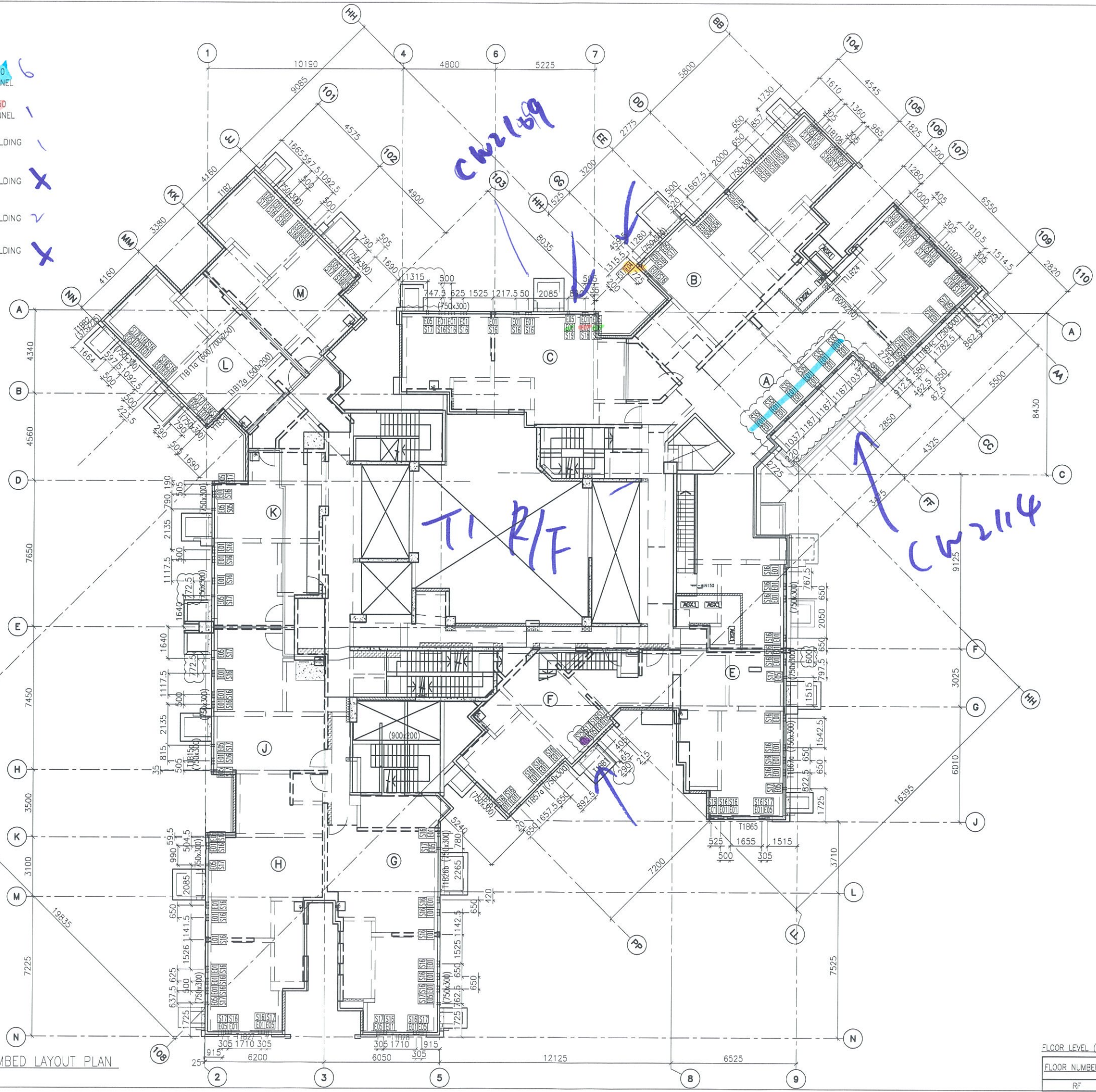
| FLOOR NUMBERING | LEVEL (mPD) |
|-----------------|-------------|
| 50F             | +162.100    |

1 50TH FLOOR EMBED LAYOUT PLAN  
AT TOWER 1

LEGEND :

-  E01 = HILIT, HAC-70 CAST IN CHANNEL
-  E02 = HILIT, HAC-50 CAST IN CHANNEL
-  E04 = CAST-IN HOLDING DOWN BOLT
-  E05 = CAST-IN HOLDING DOWN BOLT
-  E06 = CAST-IN HOLDING DOWN BOLT
-  E07 = CAST-IN HOLDING DOWN BOLT

E03



1 ROOF FLOOR EMBED LAYOUT PLAN AT TOWER 1

B.D. REF :

CLIENT :  
 信和置業有限公司  
 Sino Land Company Limited



ARCHITECT :  
 WONG TUNG & PARTNERS LIMITED  
 ARCHITECTS & PLANNERS  


MAIN CONTRACTOR :  
 CR Construction Company Limited

STRUCTURAL ENGINEER :  


FACADE CONSULTANT :  


NOTE :  
 1. ALL DIMENSIONS ARE IN mm.  
 2. ALL ELEVATIONS ARE VIEWED FROM OUTSIDE.  
 3. ALL DIMENSIONS TO BE VERIFIED ON SITE BEFORE FABRICATION.

LEGEND :  
 X1 --- DETAIL MARK NO.  
 X001 --- REFER SHEET NO.  
 1. F.F.L. --- FINISHED FLOOR LEVEL  
 2. S.F.L. --- STRUCTURAL FLOOR LEVEL  
 3. (R) --- REVERSED DETAIL

|     |            |                 |
|-----|------------|-----------------|
| H   | 07/04/2019 | GENERAL REVISED |
| G   | 21/02/2019 | GENERAL REVISED |
| F   | 28/01/2019 | GENERAL REVISED |
| E   | 19/01/2019 | GENERAL REVISED |
| D   | 22/12/2018 | GENERAL REVISED |
| C   | 01/12/2018 | GENERAL REVISED |
| B   | 08/11/2018 | GENERAL REVISED |
| A   | 13/10/2018 | GENERAL REVISED |
| NO. | DATE       | REVISED BY      |

JOB NO. : J-837  
 PROJECT :  
 URA KWUN TONG TOWN CENTRE  
 REDEVELOPMENT (AREA 2 & 3) AT  
 NKIL 6514, KWUN TONG, KWLOON






TITLE :  
 ROOF FLOOR EMBED LAYOUT PLAN  
 OF CURTAIN WALL  
 AT TOWER 1

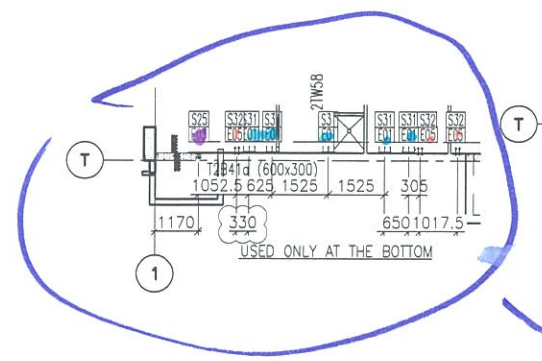
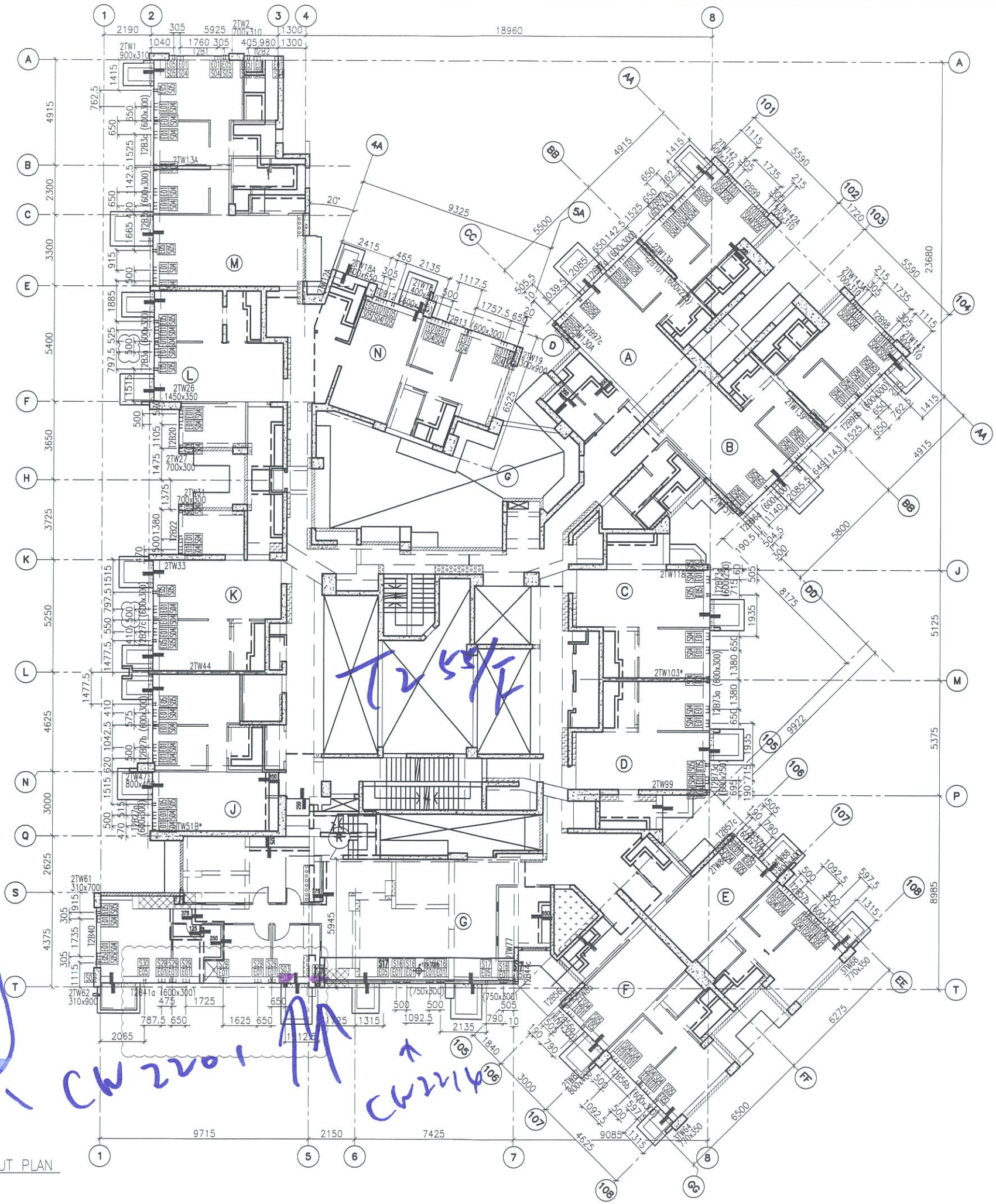
DATE : 10-SEP-18 SCALE : 1:100 (A1)  
 DRAWN BY : ASING CHECKED BY : -

 英特鋁質有限公司  
 MIDI ALUMINIUM FABRICATOR LTD.  
 Units 6-8, Sunray Industrial Centre, 1/F  
 610 Cha Kwo Ling Road, Kowloon  
 Tel:23489211-4 Fax:(852)2727666  
 DWG NO. : JB37-CW-1106 REV. : H

| FLOOR LEVEL (S.F.L.)(T1) |             |
|--------------------------|-------------|
| FLOOR NUMBERING          | LEVEL (mPD) |
| RF                       | +165.400    |

LEGEND :

-  E01 = HILIT, HAC-70 CAST IN CHANNEL
-  E02 = HILIT, HAC-50 CAST IN CHANNEL
-  E03 = GAL. MILD STEEL CAST IN EMBED
-  E04 = CAST-IN HOLDING DOWN BOLT
-  E05 = CAST-IN HOLDING DOWN BOLT



1 55TH FLOOR EMBED LAYOUT PLAN AT TOWER 2

B.D. REF :

CLIENT :  
 信和置業有限公司  
 Sino Land Company Limited


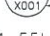
ARCHITECT :  
 WONG TUNG & PARTNERS LIMITED  
 ARCHITECTS & PLANNERS

MAIN CONTRACTOR :  
 CR Construction Company Limited

STRUCTURAL ENGINEER :  
 AECOM

FACADE CONSULTANT :  
 AECOM

NOTE :  
 1. ALL DIMENSIONS ARE IN mm.  
 2. ALL ELEVATIONS ARE VIEWED FROM OUTSIDE.  
 3. ALL DIMENSIONS TO BE VERIFIED ON SITE BEFORE FABRICATION.

LEGEND :  
 X1 --- DETAIL MARK NO.  
 X001 --- REFER SHEET NO.  
 1. F.F.L. --- FINISHED FLOOR LEVEL  
 2. S.F.L. --- STRUCTURAL FLOOR LEVEL  
 3. (R) --- REVERSED DETAIL

| NO. | DATE       | REVISED         | BY |
|-----|------------|-----------------|----|
| G   | 07/04/2019 | GENERAL REVISED |    |
| F   | 19/01/2019 | GENERAL REVISED |    |
| E   | 13/01/2019 | GENERAL REVISED |    |
| D   | 22/12/2018 | GENERAL REVISED |    |
| C   | 08/11/2018 | GENERAL REVISED |    |
| B   | 8/10/2018  | GENERAL REVISED |    |
| A   | 28/9/2018  | GENERAL REVISED |    |

JOB NO. : J-837  
 PROJECT :  
 URA KWUN TONG TOWN CENTRE  
 REDEVELOPMENT (AREA 2 & 3) AT  
 NKIL 6514, KWUN TONG, KWLOON

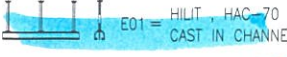
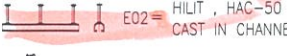


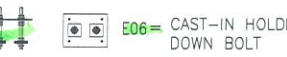

TITLE :  
 55TH FLOOR EMBED LAYOUT PLAN  
 OF CURTAIN WALL  
 AT TOWER 2

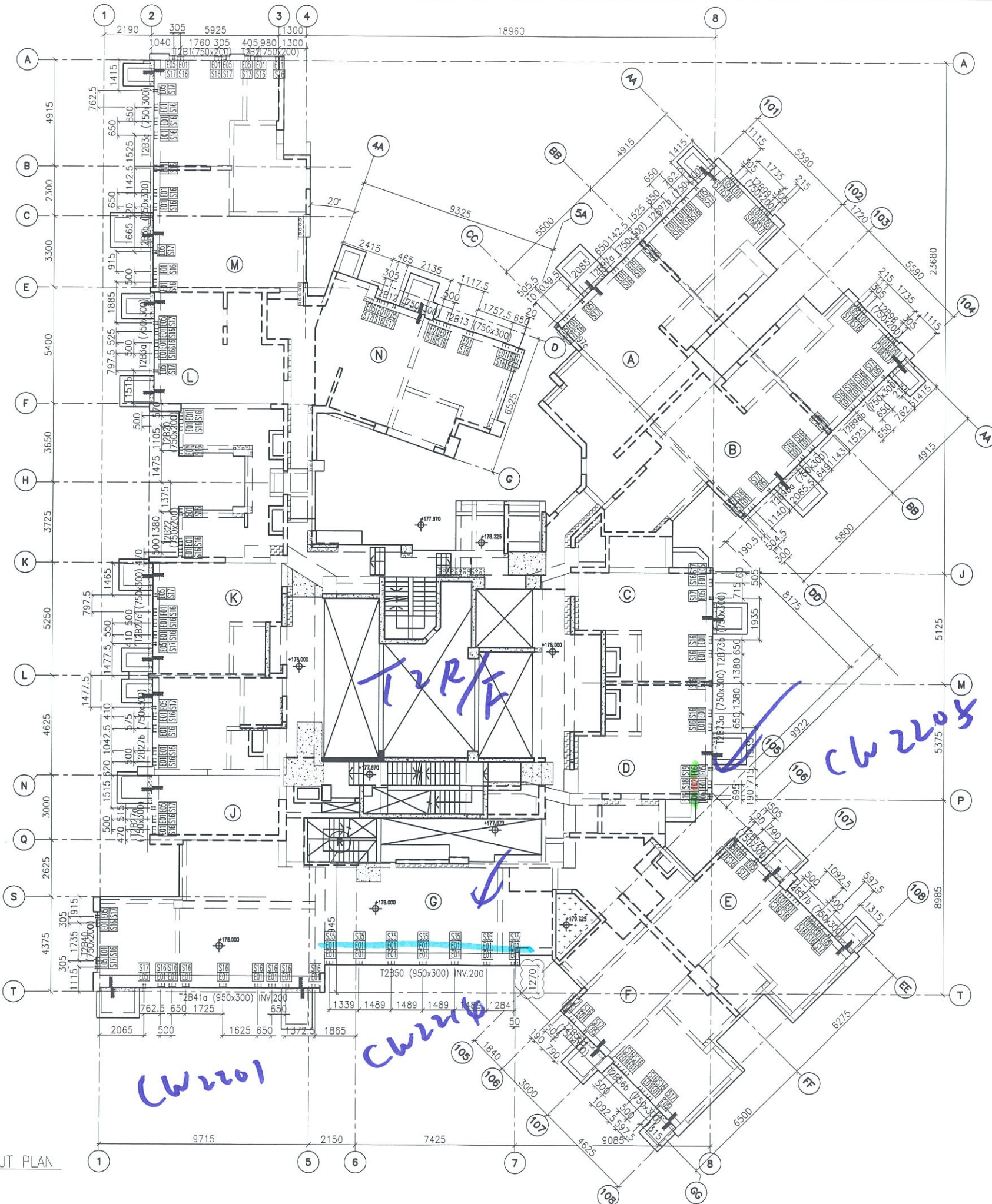
DATE : 10-SEP-18 SCALE : 1:100 (A1)  
 DRAWN BY : ASING CHECKED BY : -

 英特鋁質有限公司  
 MIDI ALUMINIUM FABRICATOR LTD.  
 Units 6-8, Sunray Industrial Centre, 1/F  
 610 Cha Kwo Ling Road, Kowloon  
 Tel: 23489211-4 Fax: (852) 2727666  
 DWG NO. : J837-CW-1205 REV. : G

| FLOOR NUMBERING | LEVEL (MPD) |
|-----------------|-------------|
| 55F             | +174.700    |

LEGEND :

-  E01 = HILIT, HAC-70 CAST IN CHANNEL
-  E02 = HILIT, HAC-50 CAST IN CHANNEL
-  E04 = CAST-IN HOLDING DOWN BOLT
-  E05 = CAST-IN HOLDING DOWN BOLT
-  E06 = CAST-IN HOLDING DOWN BOLT
-  E07 = CAST-IN HOLDING DOWN BOLT



1 ROOF FLOOR EMBED LAYOUT PLAN AT TOWER 2

B.D. REF :

CLIENT :  
 信和置業有限公司  
 Sino Land Company Limited


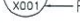
ARCHITECT :  
 WONG TUNG & PARTNERS LIMITED  
 ARCHITECTS & PLANNERS

MAIN CONTRACTOR :  
 CR Construction Company Limited

STRUCTURAL ENGINEER :  
 AECOM

FACADE CONSULTANT :  
 AECOM

NOTE :  
 1. ALL DIMENSIONS ARE IN mm.  
 2. ALL ELEVATIONS ARE VIEWED FROM OUTSIDE.  
 3. ALL DIMENSIONS TO BE VERIFIED ON SITE BEFORE FABRICATION.

LEGEND :  
 X1 --- DETAIL MARK NO.  
 X001 --- REFER SHEET NO.  
 1. F.F.L. --- FINISHED FLOOR LEVEL  
 2. S.F.L. --- STRUCTURAL FLOOR LEVEL  
 3. (R) --- REVERSED DETAIL

| NO. | DATE       | REVISED         | BY |
|-----|------------|-----------------|----|
| G   | 17/05/2019 | GENERAL REVISED |    |
| F   | 07/04/2019 | GENERAL REVISED |    |
| E   | 21/02/2019 | GENERAL REVISED |    |
| D   | 19/01/2019 | GENERAL REVISED |    |
| C   | 22/12/2018 | GENERAL REVISED |    |
| B   | 08/11/2018 | GENERAL REVISED |    |
| A   | 28/9/2018  | GENERAL REVISED |    |

JOB NO. : J-837  
 PROJECT :  
 URA KWUN TONG TOWN CENTRE  
 REDEVELOPMENT (AREA 2 & 3) AT  
 NKIL 6514, KWUN TONG, KWLOON



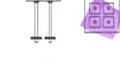


TITLE :  
 ROOF FLOOR EMBED LAYOUT PLAN  
 OF CURTAIN WALL  
 AT TOWER 2

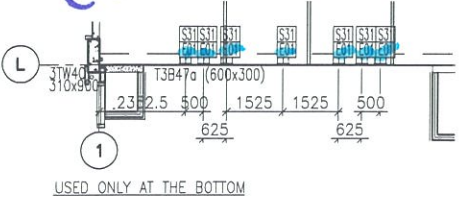
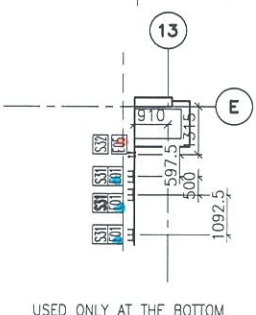
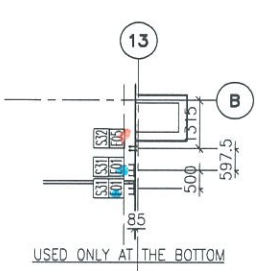
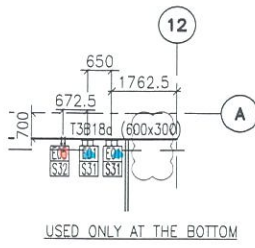
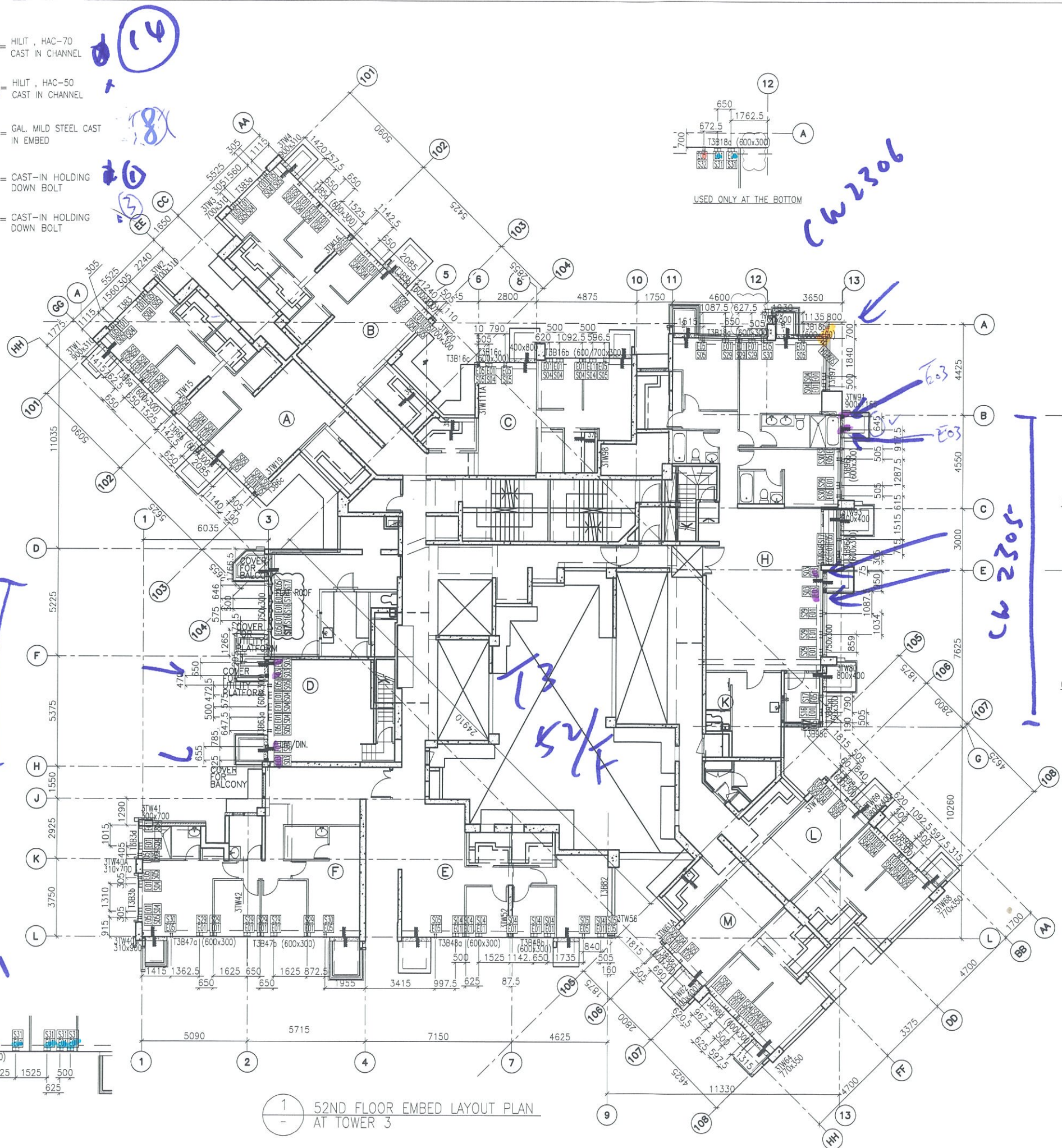
DATE : 10-SEP-18 SCALE : 1:100 (A1)  
 DRAWN BY : ASING CHECKED BY : -

 美特鋁質有限公司  
 MIDI ALUMINIUM FABRICATOR LTD.  
 Units 6-8, Sunray Industrial Centre, 1/F  
 610 Cha Kwo Ling Road, Kowloon  
 Tel: 23489211-4 Fax: (852) 2727666  
 DWG NO. : J837-CW-1206 REV. : G

| FLOOR NUMBERING | LEVEL (mPD) |
|-----------------|-------------|
| RF              | +178.000    |

LEGEND :

-  E01 = HILIT, HAC-70  
CAST IN CHANNEL
-  E02 = HILIT, HAC-50  
CAST IN CHANNEL
-  E03 = GAL. MILD STEEL CAST  
IN EMBED
-  E04 = CAST-IN HOLDING  
DOWN BOLT
-  E05 = CAST-IN HOLDING  
DOWN BOLT




1 52ND FLOOR EMBED LAYOUT PLAN AT TOWER 3

B.D. REF :

CLIENT :  
 信和置業有限公司  
 Sino Land Company Limited

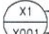


ARCHITECT :  
 WONG TUNG & PARTNERS LIMITED  
 ARCHITECTS & PLANNERS  


MAIN CONTRACTOR :  
 CR Construction Company Limited

STRUCTURAL ENGINEER :  


FACADE CONSULTANT :  


NOTE :  
 1. ALL DIMENSIONS ARE IN mm.  
 2. ALL ELEVATIONS ARE VIEWED FROM OUTSIDE.  
 3. ALL DIMENSIONS TO BE VERIFIED ON SITE BEFORE FABRICATION.

LEGEND :  
 X1 --- DETAIL MARK NO.  
 X001 --- REFER SHEET NO.  
 1. F.F.L. --- FINISHED FLOOR LEVEL  
 2. S.F.L. --- STRUCTURAL FLOOR LEVEL  
 3.  R --- REVERSED DETAIL

| NO. | DATE       | REVISED         | BY |
|-----|------------|-----------------|----|
| E   | 19/05/2019 | GENERAL REVISED |    |
| E   | 07/04/2019 | GENERAL REVISED |    |
| D   | 13/01/2019 | GENERAL REVISED |    |
| C   | 22/12/2018 | GENERAL REVISED |    |
| B   | 17/10/2018 | GENERAL REVISED |    |
| A   | 11/10/2018 | GENERAL REVISED |    |

JOB NO. : J-837  
 PROJECT :  
 URA KWUN TONG TOWN CENTRE  
 REDEVELOPMENT (AREA 2 & 3) AT  
 NKIL 6514, KWUN TONG, KWLOON







TITLE :  
 52ND FLOOR EMBED LAYOUT PLAN  
 OF CURTAIN WALL  
 AT TOWER 3

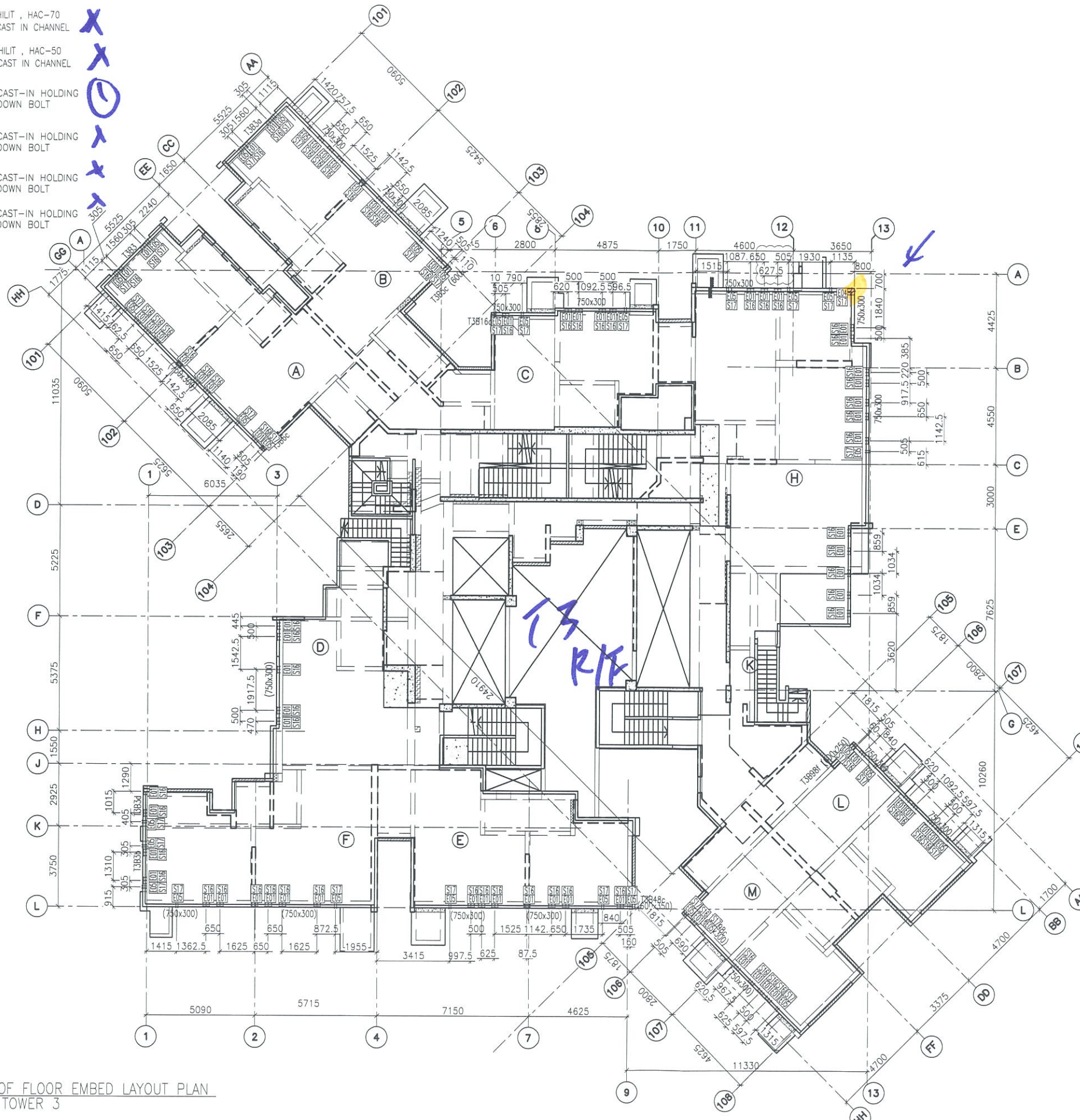
DATE : 10-SEP-18 SCALE : 1:100 (A1)  
 DRAWN BY : ASING CHECKED BY : -

 美特鋁質有限公司  
 MIDI ALUMINIUM FABRICATOR LTD.  
 Units 6-8, Sunray Industrial Centre, 1/F  
 610 Cha Kwo Ling Road, Kowloon  
 Tel: 23489211-4 Fax: (852) 27727666  
 DWG NO. : J837-CW-1305 REV. : F

| FLOOR LEVEL (S.F.L.)(T3) |             |
|--------------------------|-------------|
| FLOOR NUMBERING          | LEVEL (mPD) |
| 52F                      | +168.400    |

LEGEND :

-  E01 = HILIT, HAC-70 CAST IN CHANNEL
-  E02 = HILIT, HAC-50 CAST IN CHANNEL
-  E04 = CAST-IN HOLDING DOWN BOLT
-  E05 = CAST-IN HOLDING DOWN BOLT
-  E06 = CAST-IN HOLDING DOWN BOLT
-  E07 = CAST-IN HOLDING DOWN BOLT




1 ROOF FLOOR EMBED LAYOUT PLAN AT TOWER 3

B.D. REF :

CLIENT :  
 信和置業有限公司  
 Sino Land Company Limited



ARCHITECT :  
 WONG TUNG & PARTNERS LIMITED  
 ARCHITECTS & PLANNERS  


MAIN CONTRACTOR :  
 CR Construction Company Limited

STRUCTURAL ENGINEER :  


FAÇADE CONSULTANT :  


NOTE :  
 1. ALL DIMENSIONS ARE IN mm.  
 2. ALL ELEVATIONS ARE VIEWED FROM OUTSIDE.  
 3. ALL DIMENSIONS TO BE VERIFIED ON SITE BEFORE FABRICATION.

LEGEND :  
 X1 --- DETAIL MARK NO.  
 X001 --- REFER SHEET NO.  
 1. F.F.L. --- FINISHED FLOOR LEVEL  
 2. S.F.L. --- STRUCTURAL FLOOR LEVEL  
 3. (R) --- REVERSED DETAIL

|   |            |                 |
|---|------------|-----------------|
| D | 19/05/2019 | GENERAL REVISED |
| C | 07/04/2019 | GENERAL REVISED |
| B | 22/12/2018 | GENERAL REVISED |
| A | 11/10/2018 | GENERAL REVISED |

JOB NO. : J-837  
 PROJECT :  
 URA KWUN TONG TOWN CENTRE  
 REDEVELOPMENT (AREA 2 & 3) AT  
 NKIL 6514, KWUN TONG, KWLOON






TITLE :  
 ROOF FLOOR EMBED LAYOUT PLAN  
 OF CURTAIN WALL  
 AT TOWER 3

DATE : 10-SEP-18 SCALE : 1:100 (A1)  
 DRAWN BY : ASING CHECKED BY : -

 美特鋁質有限公司  
 MIDI ALUMINUM FABRICATOR LTD.  
 Units 6-8, Sunray Industrial Centre, 1/F  
 610 Cha Kwo Ling Road, Kowloon  
 Tel: 23489211-4 Fax: (852) 2727666  
 DWG NO. : JB37-CW-1306 REV. : D

| FLOOR LEVEL (S.F.L.)(T3) |             |
|--------------------------|-------------|
| FLOOR NUMBERING          | LEVEL (mPD) |
| RF                       | +171.700    |

LEGEND :

-  E01 = HILT, HAC-70 CAST IN CHANNEL
-  E02 = HILT, HAC-50 CAST IN CHANNEL
-  E03 = GAL. MILD STEEL CAST IN EMBED
-  E04 = CAST-IN HOLDING DOWN BOLT
-  E05 = CAST-IN HOLDING DOWN BOLT

6  
2  
16

5.06

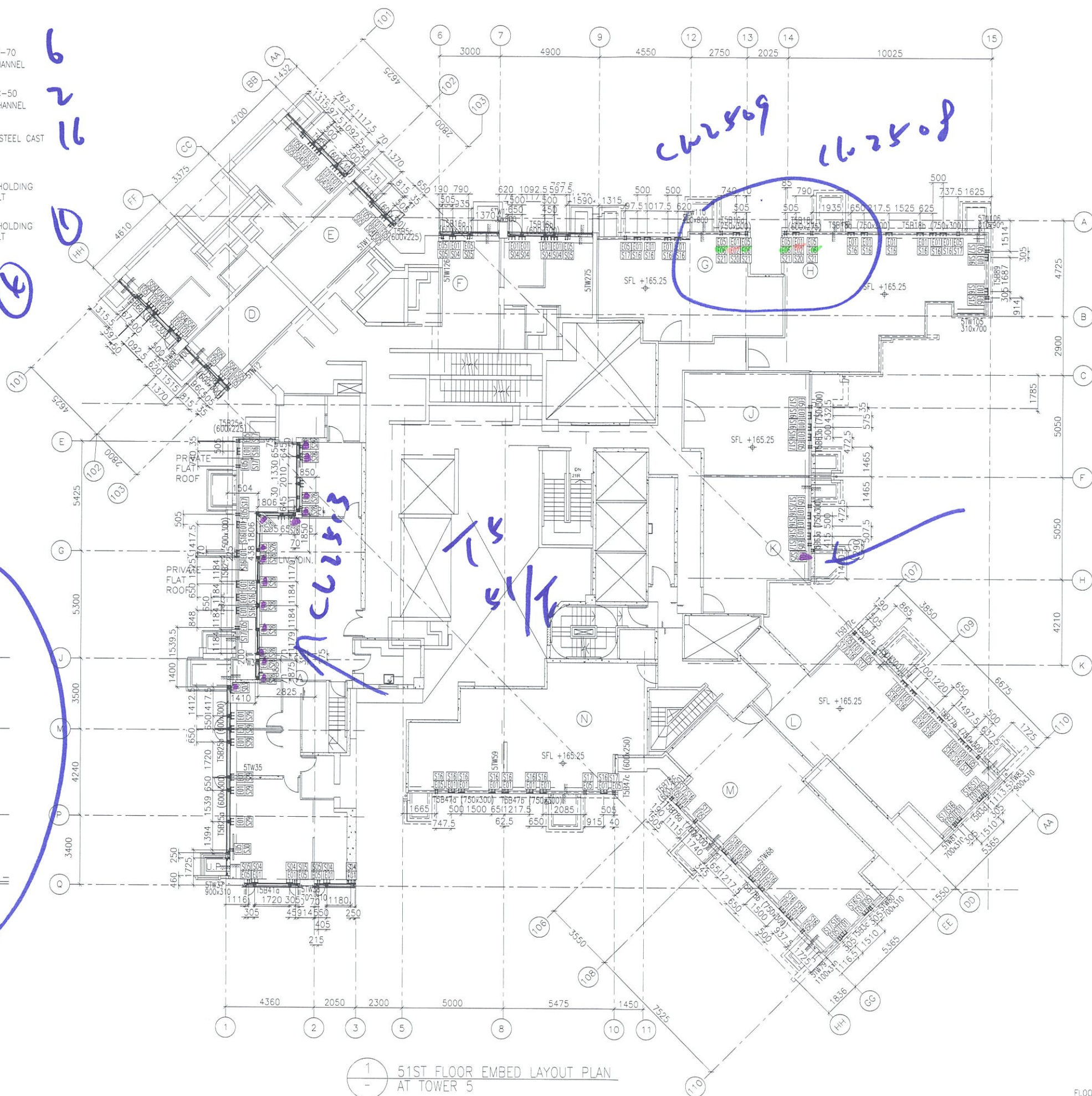
(4)

62512

62513

1.5  
5/12

62509 62508



USED ONLY AT THE BOTTOM

1 51ST FLOOR EMBED LAYOUT PLAN AT TOWER 5

B.D. REF :

CLIENT :  
 信和置業有限公司  
Sino Land Company Limited

ARCHITECT :  
 WONG TUNG & PARTNERS LIMITED  
ARCHITECTS & PLANNERS

MAIN CONTRACTOR :  
 CR Construction Company Limited

STRUCTURAL ENGINEER :  
 AECOM

FAÇADE CONSULTANT:  
 AECOM

- NOTE :
1. ALL DIMENSIONS ARE IN mm.
  2. ALL ELEVATIONS ARE VIEWED FROM OUTSIDE.
  3. ALL DIMENSIONS TO BE VERIFIED ON SITE BEFORE FABRICATION.

- LEGEND :
-  X1 --- DETAIL MARK NO.
  -  X001 --- REFER SHEET NO.
  - 1. F.F.L. --- FINISHED FLOOR LEVEL
  - 2. S.F.L. --- STRUCTURAL FLOOR LEVEL
  - 3. (R) --- REVERSED DETAIL

| NO. | DATE       | REVISION        | BY |
|-----|------------|-----------------|----|
| H   | 07/04/2019 | GENERAL REVISED |    |
| G   | 19/01/2019 | GENERAL REVISED |    |
| F   | 13/01/2019 | GENERAL REVISED |    |
| E   | 22/12/2018 | GENERAL REVISED |    |
| D   | 08/11/2018 | GENERAL REVISED |    |
| C   | 11/10/2018 | GENERAL REVISED |    |
| B   | 8/10/2018  | GENERAL REVISED |    |
| A   | 14/9/2018  | GENERAL REVISED |    |

JOB NO. : J-837  
PROJECT :  
URA KWUN TONG TOWN CENTRE  
REDEVELOPMENT (AREA 2 & 3) AT  
NKIL 6514, KWUN TONG, KWLOON

TITLE :  
51ST FLOOR EMBED LAYOUT PLAN  
OF CURTAIN WALL  
AT TOWER 5

DATE : 10-SEP-18 SCALE : 1:100 (A1)  
DRAWN BY : ASING CHECKED BY : -

 美特鋁質有限公司  
MIDI ALUMINIUM FABRICATOR LTD.  
Units 6-8, Sunray Industrial Centre, 1/F  
610 Cha Kwo Ling Road, Kowloon  
Tel: 23459211-4 Fax: (852) 27727666  
DWG NO. : J837-CW-1507 REV. : H

| FLOOR LEVEL (S.F.L.)(T3) |                   |
|--------------------------|-------------------|
| FLOOR NUMBERING          | LEVEL (mPD)       |
| 51F                      | +165.250/+165.550 |

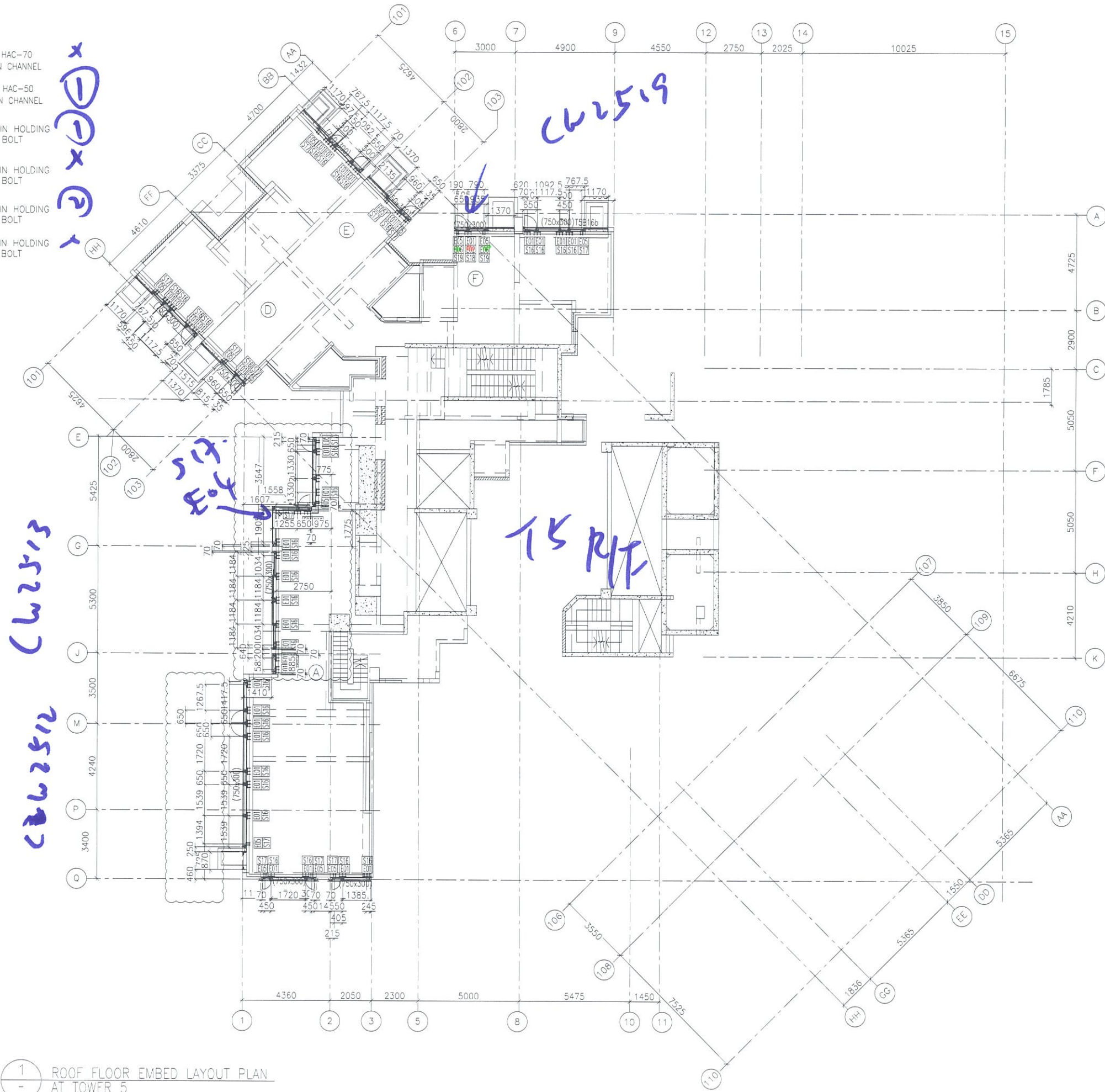
LEGEND :

- E01 = HILT, HAC-70 CAST IN CHANNEL
- E02 = HILT, HAC-50 CAST IN CHANNEL
- E04 = CAST-IN HOLDING DOWN BOLT
- E05 = CAST-IN HOLDING DOWN BOLT
- E06 = CAST-IN HOLDING DOWN BOLT
- E07 = CAST-IN HOLDING DOWN BOLT

CW2513  
CW2512

CW2519

15 RT



1 ROOF FLOOR EMBED LAYOUT PLAN AT TOWER 5

B.D. REF :

CLIENT :  
 信和置業有限公司  
Sino Land Company Limited

ARCHITECT :  
 WONG TUNG & PARTNERS LIMITED  
ARCHITECTS & PLANNERS

MAIN CONTRACTOR :  
 CR Construction Company Limited

STRUCTURAL ENGINEER :  
 AECOM

FACADE CONSULTANT :  
 AECOM

NOTE :  
1. ALL DIMENSIONS ARE IN mm.  
2. ALL ELEVATIONS ARE VIEWED FROM OUTSIDE.  
3. ALL DIMENSIONS TO BE VERIFIED ON SITE BEFORE FABRICATION.

LEGEND :  
X1 --- DETAIL MARK NO.  
X001 --- REFER SHEET NO.  
1. F.F.L. --- FINISHED FLOOR LEVEL  
2. S.F.L. --- STRUCTURAL FLOOR LEVEL  
3. /R --- REVERSED DETAIL

|     |            |                 |
|-----|------------|-----------------|
| B   | 07/04/2019 | GENERAL REVISED |
| A   | 22/12/2018 | GENERAL REVISED |
| NO. | DATE       | REVISED BY      |

JOB NO. : J-837  
PROJECT :  
URA KWUN TONG TOWN CENTRE  
REDEVELOPMENT (AREA 2 & 3) AT  
NKIL 6514, KWUN TONG, KWLOON

TITLE :  
ROOF FLOOR EMBED LAYOUT PLAN  
OF CURTAIN WALL  
AT TOWER 5

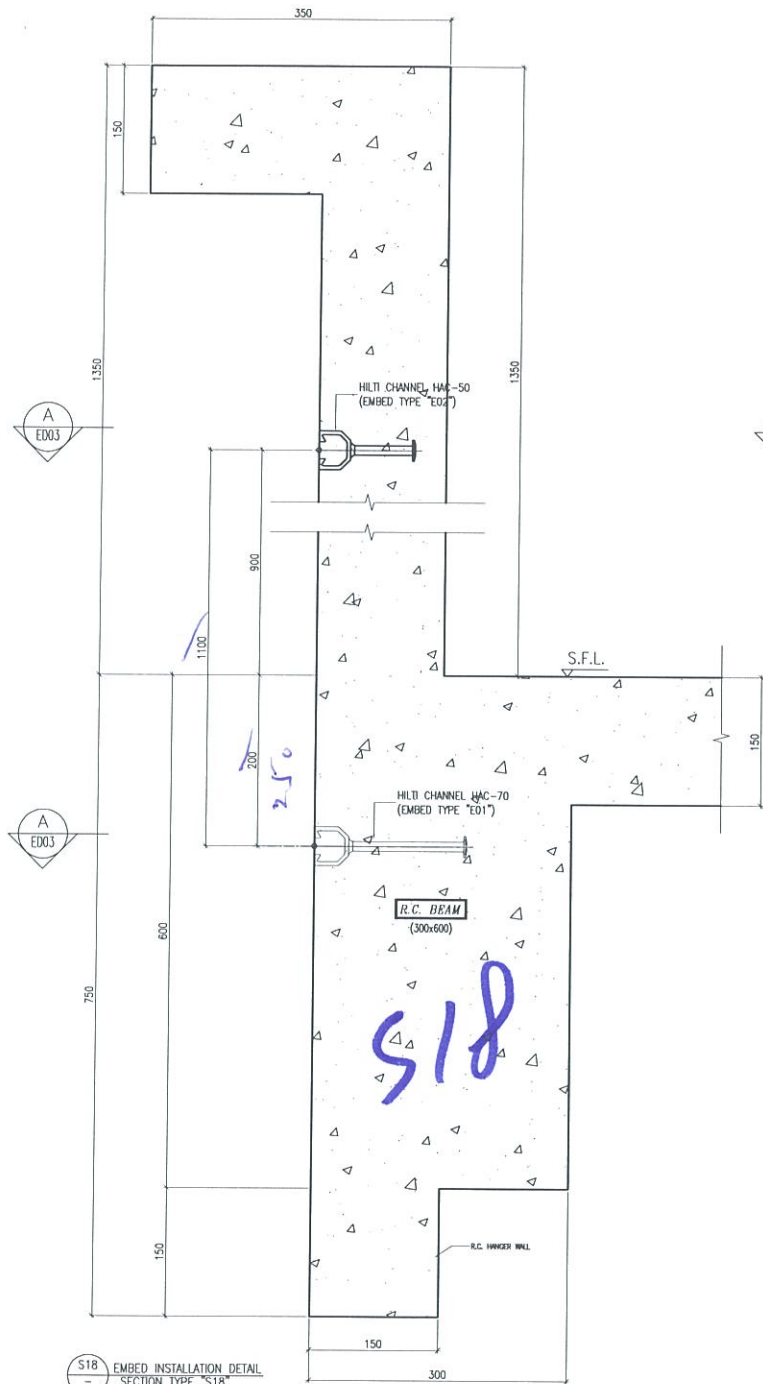
DATE : 10-SEP-18 SCALE : 1:100 (A1)

DRAWN BY : ASING CHECKED BY : -

英特鋁質有限公司  
MIDI ALUMINIUM FABRICATOR LTD.  
Units 6-8, Sunray Industrial Centre, 1/F  
610 Cha Kwo Ling Road, Kowloon  
Tel: 23489211-4 Fax: (852) 27727666

| FLOOR NUMBERING | LEVEL (mPD) |
|-----------------|-------------|
| RF              | +168.850    |

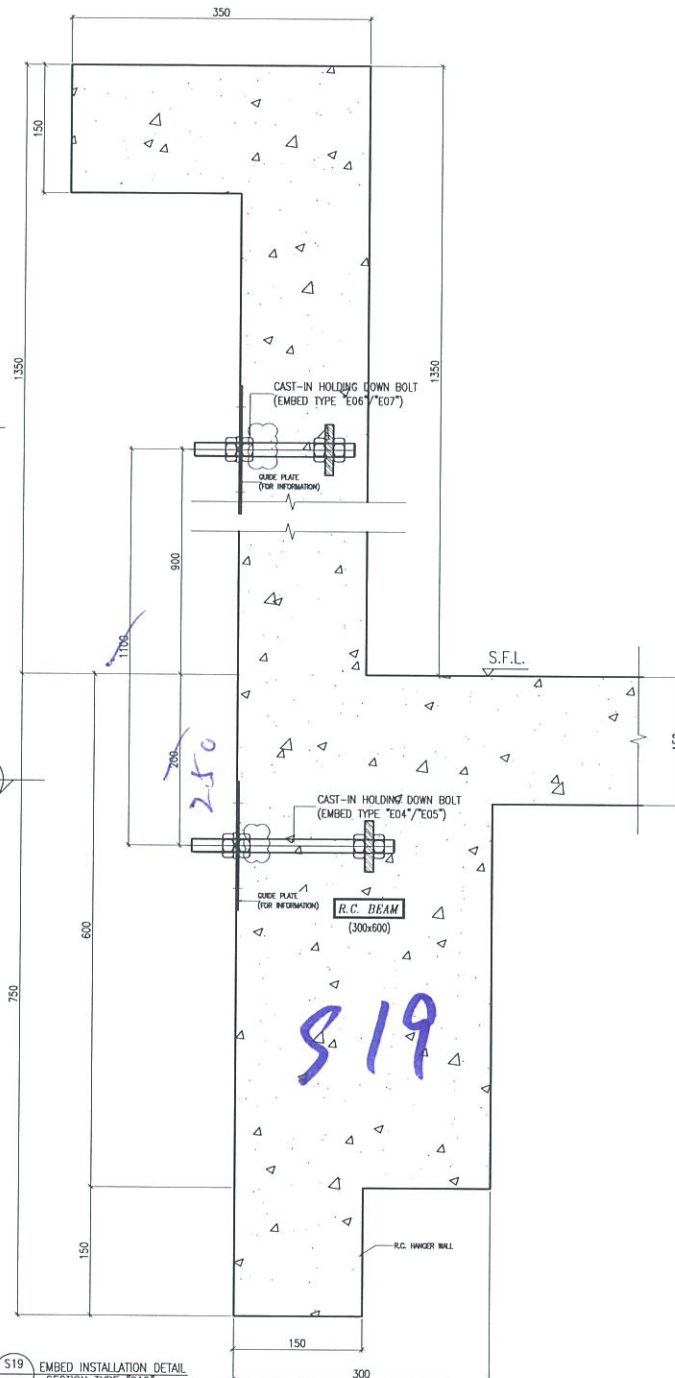
DWG NO. : J837-CW-1508 REV. : B



S18 EMBED INSTALLATION DETAIL  
SECTION TYPE 'S18'

B  
ED03 S09  
ED05

B  
ED03 S09  
ED05



S19 EMBED INSTALLATION DETAIL  
SECTION TYPE 'S19'

B.D. REF :

CLIENT :  
信和置業有限公司  
Sino Land Company Limited

ARCHITECT :  
WONG TUNG & PARTNERS LIMITED  
ARCHITECTS & PLANNERS  
WT

MAIN CONTRACTOR :  
CR Construction Company Limited

STRUCTURAL ENGINEER :  
AECOM

FACADE CONSULTANT:  
AECOM

NOTE :  
1. ALL DIMENSIONS ARE IN mm.  
2. ALL ELEVATIONS ARE VIEWED FROM OUTSIDE.  
3. ALL DIMENSIONS TO BE VERIFIED ON SITE BEFORE FABRICATION.

LEGEND :  
X1 -- DETAIL MARK NO.  
X001 -- REFER SHEET NO.  
1. F.F.L. -- FINISHED FLOOR LEVEL  
2. S.F.L. -- STRUCTURAL FLOOR LEVEL  
3. (↔) -- REVERSED DETAIL

|     |            |                 |
|-----|------------|-----------------|
| A   | 24/11/2018 | GENERAL REVISED |
| NO. | DATE       | REVISION        |
|     |            | BY              |

JOB NO. : J-837  
PROJECT :  
URA KWUN TONG TOWN CENTRE  
REDEVELOPMENT (AREA 2 & 3) AT  
NKIL 6514, KWUN TONG, KWLOON

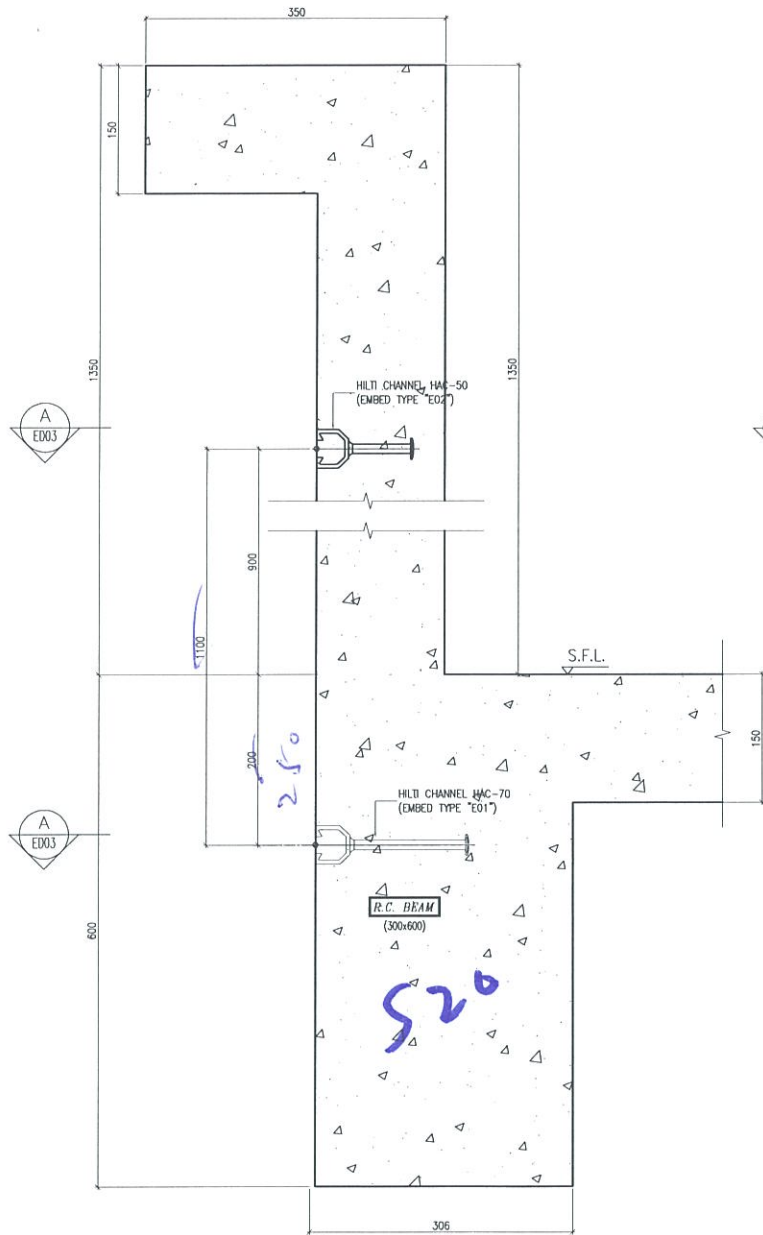
TITLE :  
EMBED TYPICAL DETAILS  
FOR CURTAIN WALL

DATE : 10-SEP-18 SCALE : 1:3 (A1)

DRAWN BY : Asing CHECKED BY : -

美特鋁質有限公司  
MIDI ALUMINIUM FABRICATOR LTD.  
Units 6-8, Sunny Industrial Centre, 1/F  
610 Cha Kwo Ling Road, Kowloon  
Tel: 23489211-4 Fax: (852) 27727666

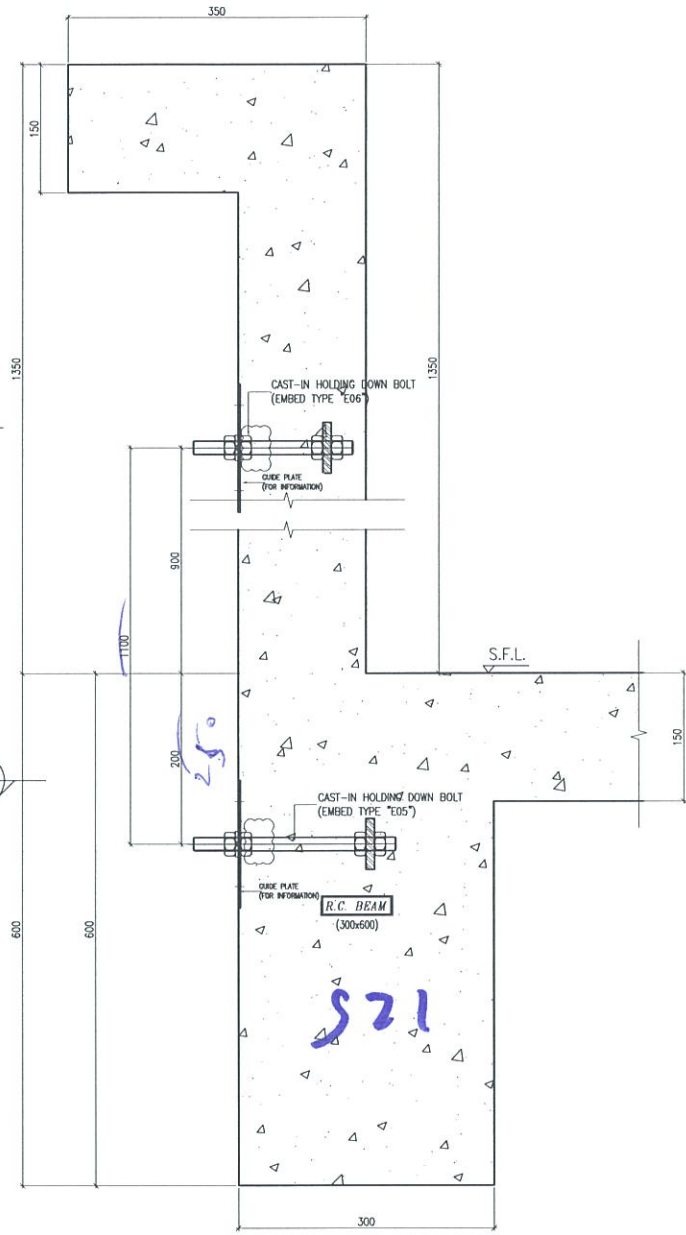
DWG NO. : J837-CW-ED09 REV. : A



S20 EMBED INSTALLATION DETAIL  
SECTION TYPE "S20"

B  
ED03 S09  
ED05

B  
ED03 S09  
ED05



S21 EMBED INSTALLATION DETAIL  
SECTION TYPE "S21"

B.D. REF :

**B.D. SUBMISSION**

CLIENT :  
信和置業有限公司  
Sino Land Company Limited

ARCHITECT :  
WONG TUNG & PARTNERS LIMITED  
ARCHITECTS & PLANNERS  
WT

MAIN CONTRACTOR :  
CR Construction Company Limited

STRUCTURAL ENGINEER :  
AECOM

FACADE CONSULTANT:  
AECOM

NOTE :  
1. ALL DIMENSIONS ARE IN MM.  
2. ALL ELEVATIONS ARE VIEWED FROM OUTSIDE.  
3. ALL DIMENSIONS TO BE VERIFIED ON SITE BEFORE FABRICATION.

LEGEND :  
X1 - DETAIL MARK NO.  
X001 - REFER SHEET NO.  
1. F.F.L. -- FINISHED FLOOR LEVEL  
2. S.F.L. -- STRUCTURAL FLOOR LEVEL  
3. (R) -- REVERSED DETAIL

| NO. | DATE       | REVISION        | BY |
|-----|------------|-----------------|----|
| A   | 24/11/2018 | GENERAL REVISED |    |

JOB NO. : J-837

PROJECT :  
URA KWUN TONG TOWN CENTRE  
REDEVELOPMENT (AREA 2 & 3) AT  
NKIL 6514, KWUN TONG, KWLOON

TITLE :  
EMBED TYPICAL DETAILS  
FOR CURTAIN WALL

DATE : 10-SEP-18 SCALE : 1:3 (A1)  
DRAWN BY : Aising CHECKED BY : -

MIDI ALUMINIUM FABRICATOR LTD.  
Units 6-8, Surrey Industrial Centre, 1/F  
610 Cha Kwo Ling Road, Kowloon  
Tel: 23489211-4 Fax: (852) 27272666

DWG NO. : JB37-CW-ED10 REV. : A