



工程指示 / 要求簡箋(E.I.)

工程指示編號：EI / 0582 / 19

修改版次：-

工程編號：J - 837

工程名稱：觀塘裕民坊

工程項目：幕牆 修補方案用鐵件

收件人：Maggie / 生統 / 永林

發件人：Eric Liu

日期：16/05/2019

要求提供 / 確認 事項：

- | | | |
|------------------------------------|-------------------------------------|-------------------------------|
| <input type="checkbox"/> 初步鋁料 B.M. | <input type="checkbox"/> 加工拆圖，然後生產 | <input type="checkbox"/> 尺寸表 |
| <input type="checkbox"/> 正式鋁料 B.M. | <input type="checkbox"/> 技術上資料 / 指示 | <input type="checkbox"/> 報價 |
| <input type="checkbox"/> 配件 B.M. | <input type="checkbox"/> 樣辦或貨品說明書 | <input type="checkbox"/> 分判合約 |
| <input type="checkbox"/> 其他：_____ | | |

內容：

請按加工圖訂購修補方案用鐵件送 廠

因 RE 計數要求，加訂此 3 款鐵件

地盤請留意，拉爆孔由現場鑽，

附上示意圖，請留意拉爆孔距及拉爆款

Butt weld 驗焊: Visual 100%，MPI 100%，Ultra Sonic 100% (For Curtain Wall)

Fillet weld 驗焊: Visual 100%，MPI 10% (For Curtain Wall)

謝謝！

請在 2019/ 6 / 01 前完成上列要求。

附：4 頁加工圖，4 頁

以上項目為：

- 原合約工程包 原合約工程加 / 減賬 新工程報價

原因：-

分發東莞各部門：

- () 生產技術總監 連附件 () 技術部 連附件 永林 () 生產部 連附件 () 機械設計部 連附件
 () 採購部 連附件 () 生產統籌部 連附件 梅
 () 質檢部 連附件 () 會計部 連附件 () 報關組 連附件 () 其他 楊榮輝 連附件

分發其他分判：
() 王禮秋 連附件

分發香港各部門：

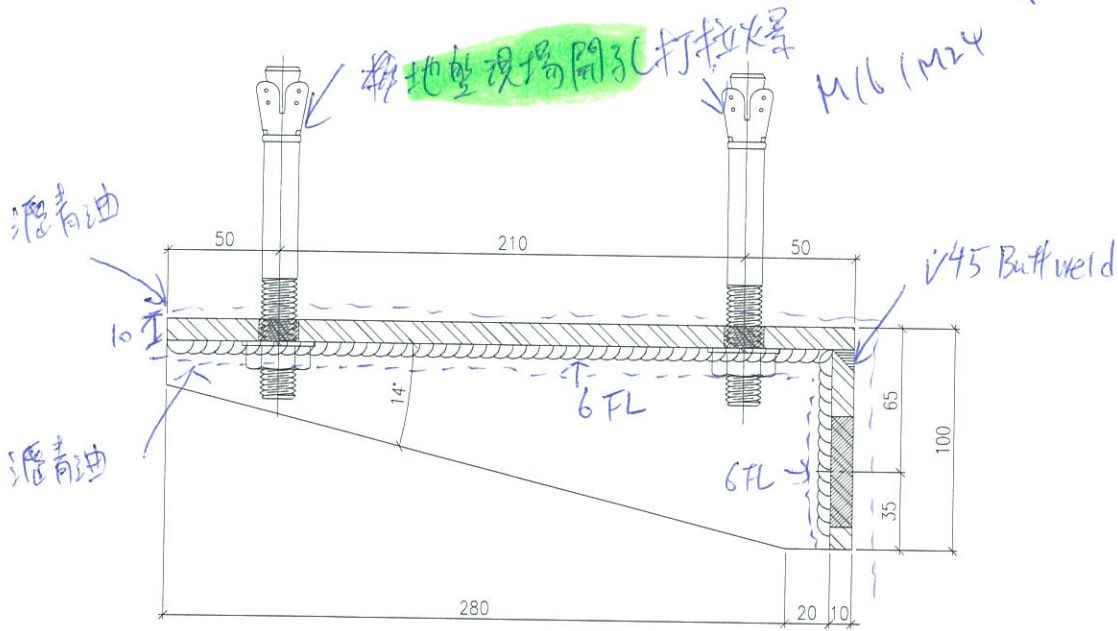
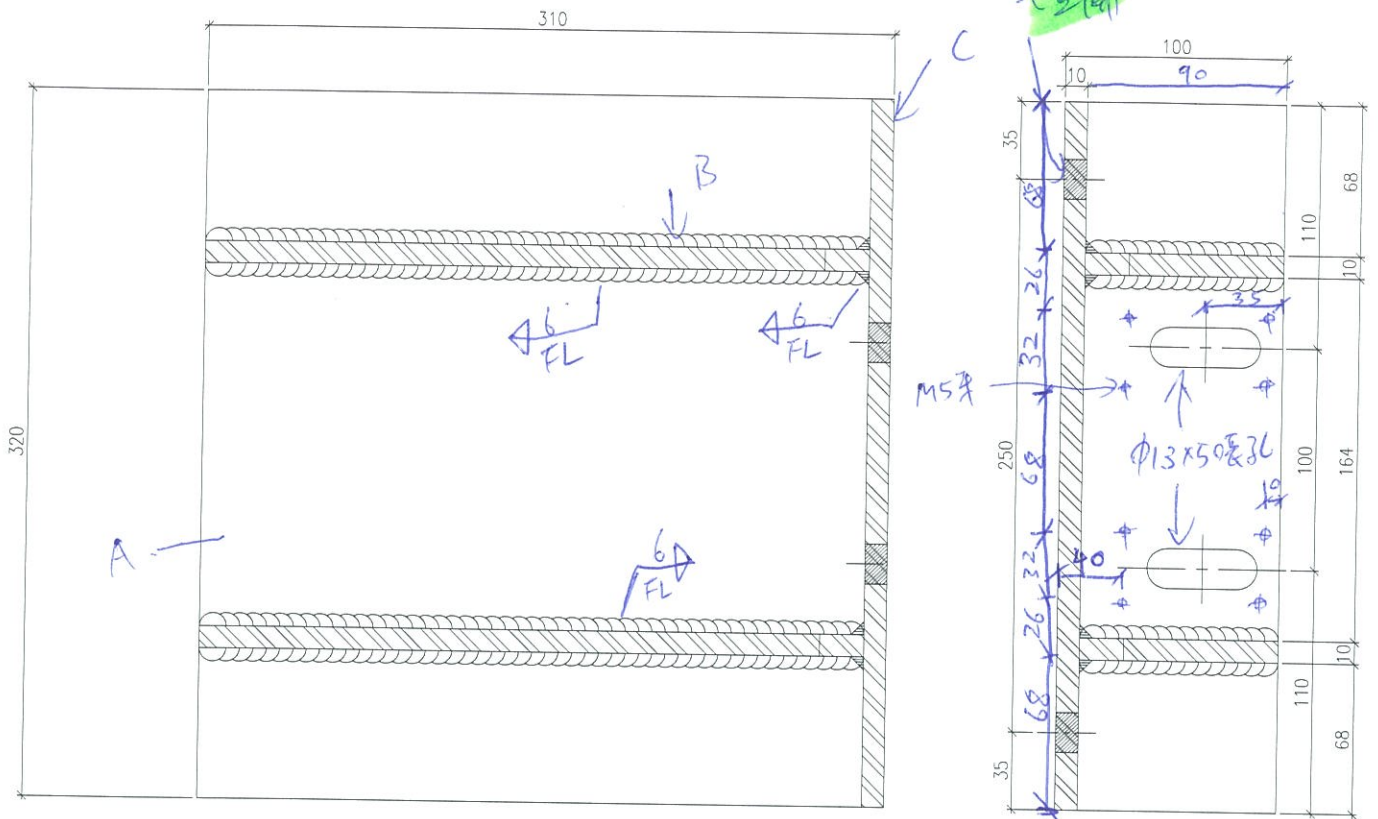
- () 行政部 連附件 () 會計部 連附件 () 統籌部 連附件 () 工程部地盤科文 連附件 炳哥
 () 採購部 連附件 () QS 部 連附件 () 維修部 連附件 () 其他 _____ 連附件

傳遞編號：

HK 1131 / 19

發件人簽署：
Eric Liu

項目經理簽署：
楊榮輝



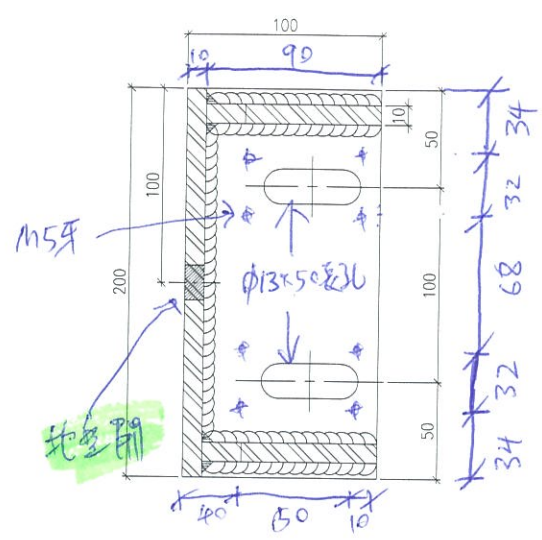
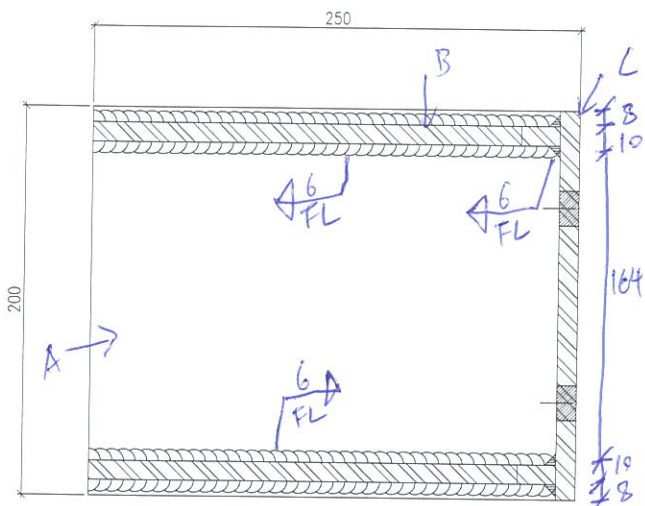
A = 310 x 320 x 10mm 鐵板

B = 300 + 90 x 10mm 鐵板

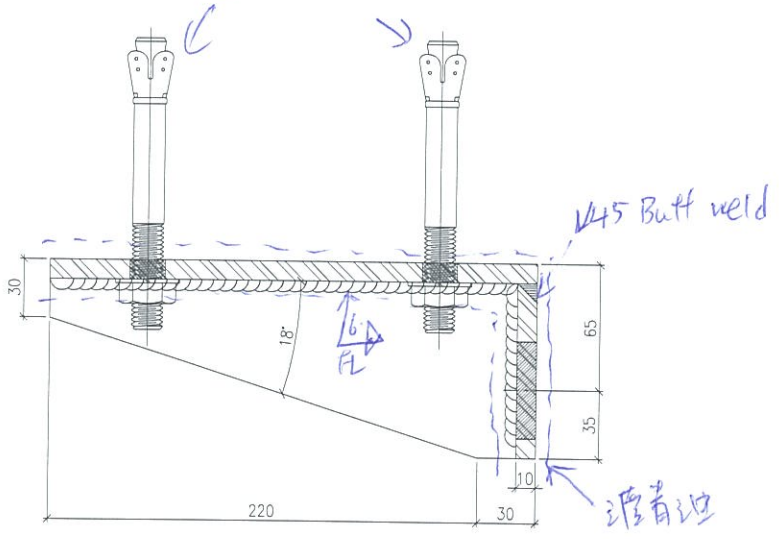
C = 320 x 90 x 10mm 鐵板

200 件

RD-C1-C2



地盤現場開孔打拉桿



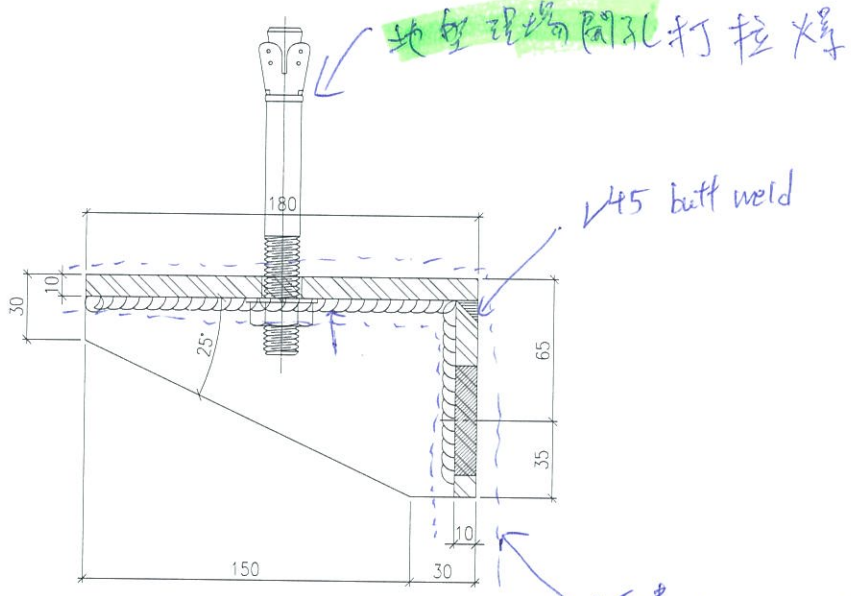
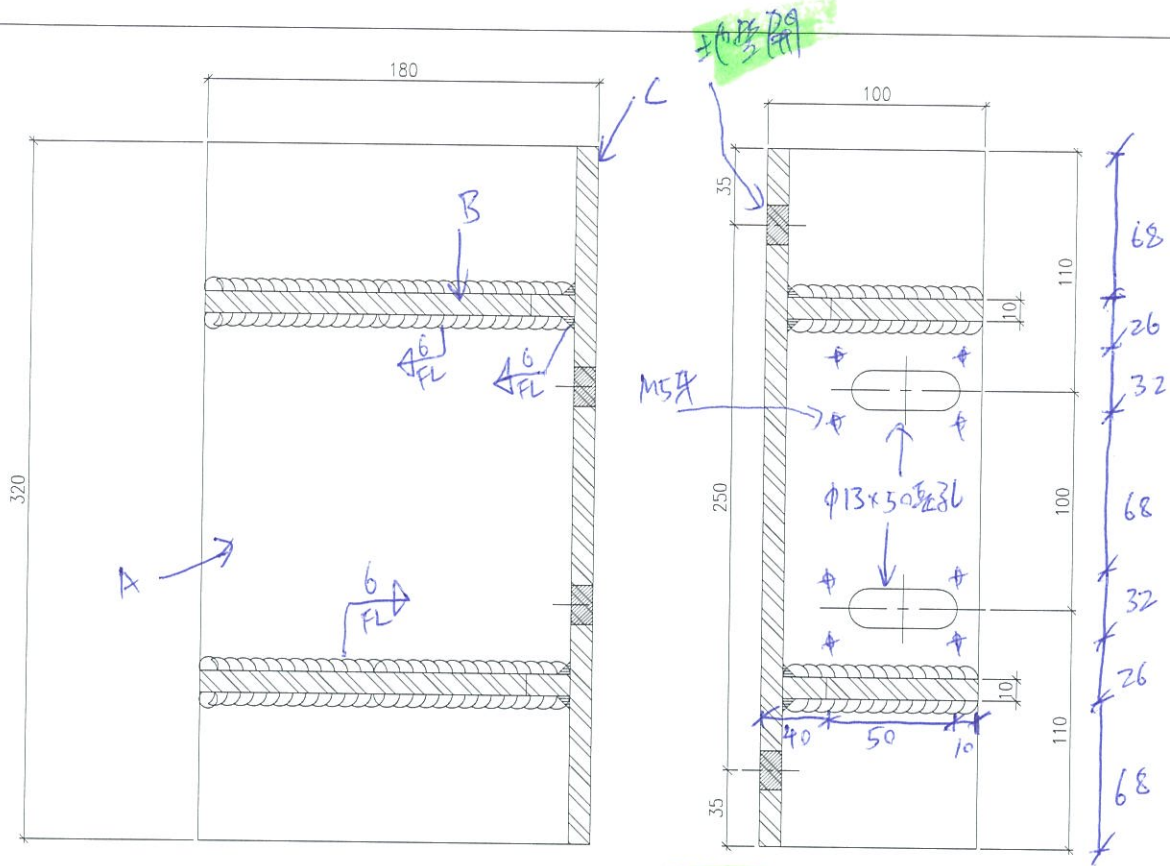
材料:

- A = 250 x 200 x 10 mm 鐵板
- B = 240 x 90 + 10 mm 鐵板
- C = 200 x 90 + 10 mm 鐵板

處理: 墊緩沖 + 灌青油

80件

圖號 = RD-01



- A = 180 x 320 x 10mm 鐵巴
- B = 170 + 90 x 10mm 鐵巴
- C = 320 x 90 x 10mm 鐵巴

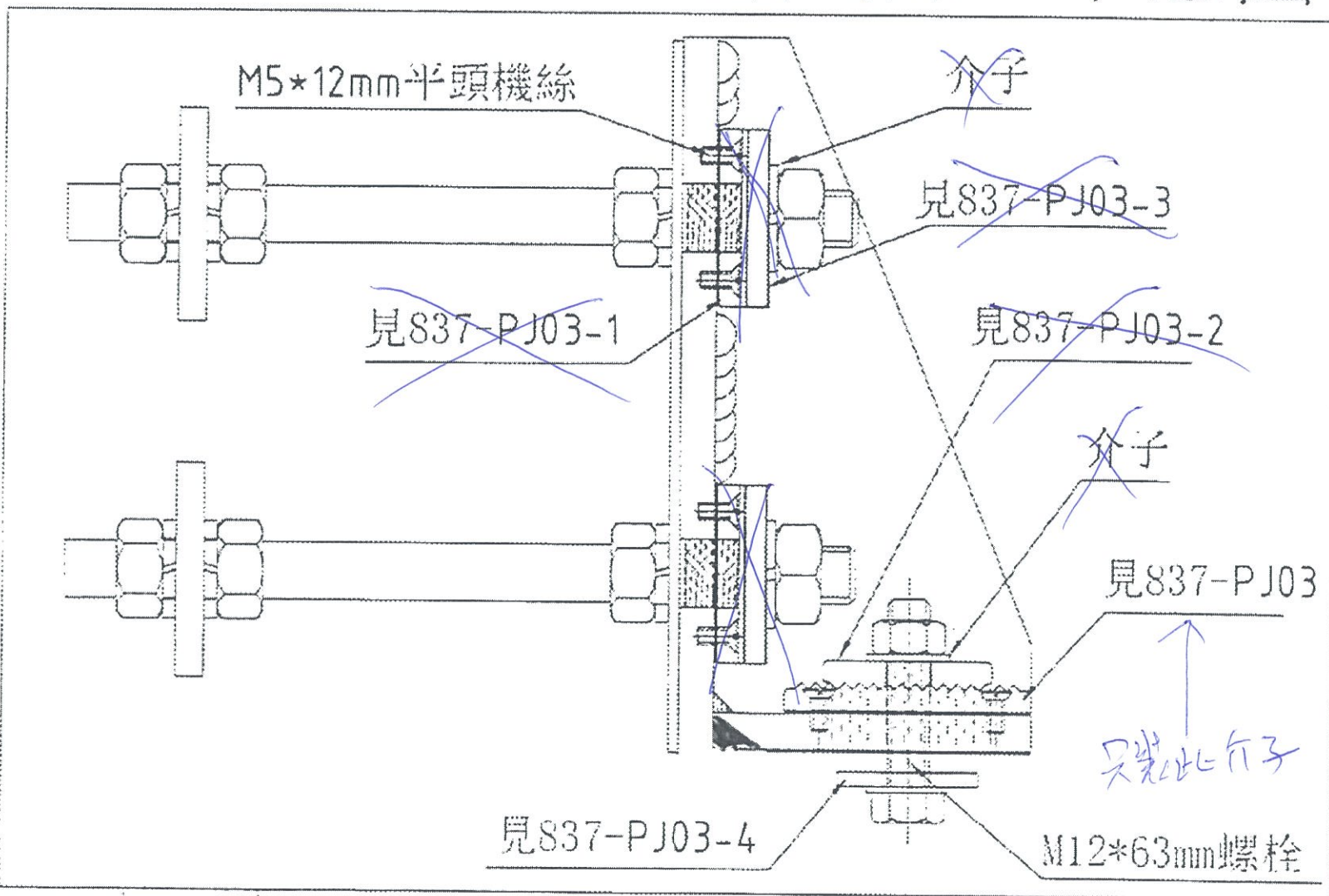
50件

圖號 RD-02

底部 = 熱浸鍍 + 瀝青油

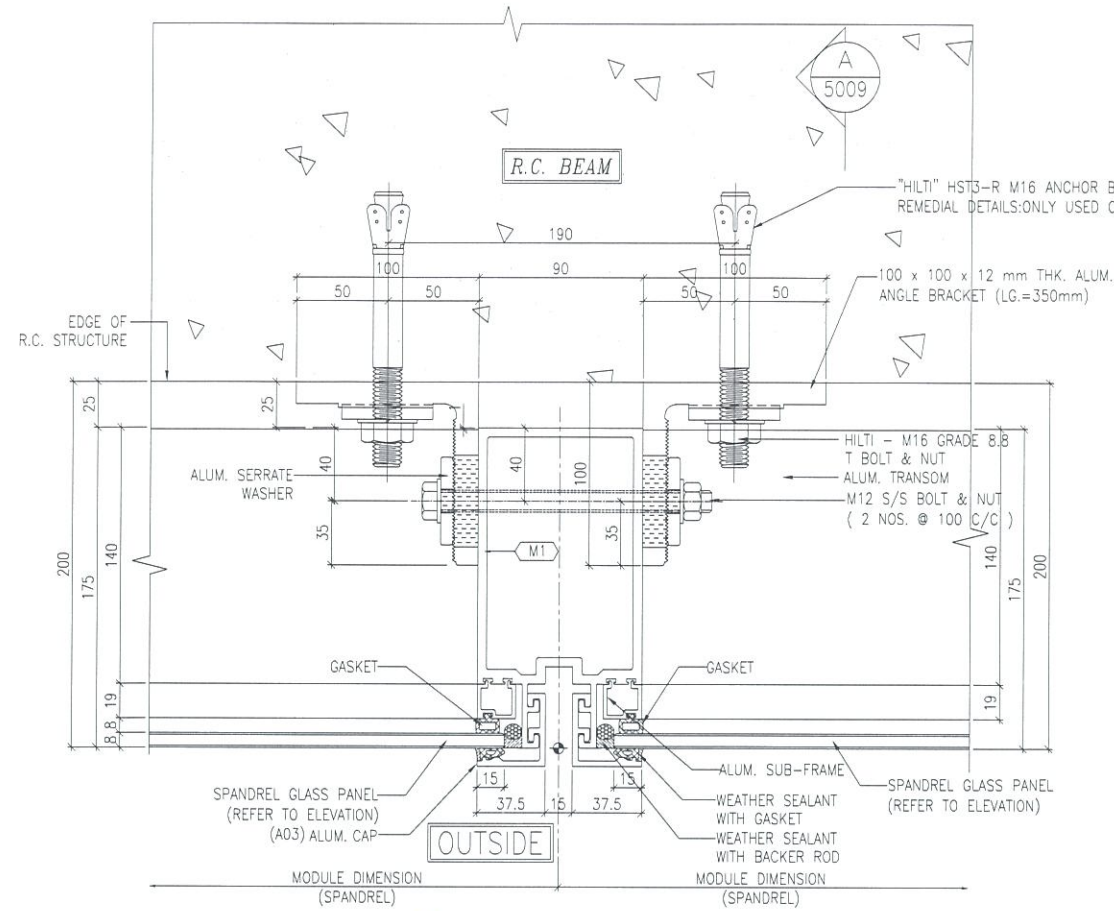
送廠後加工

鐵碼加工示意圖

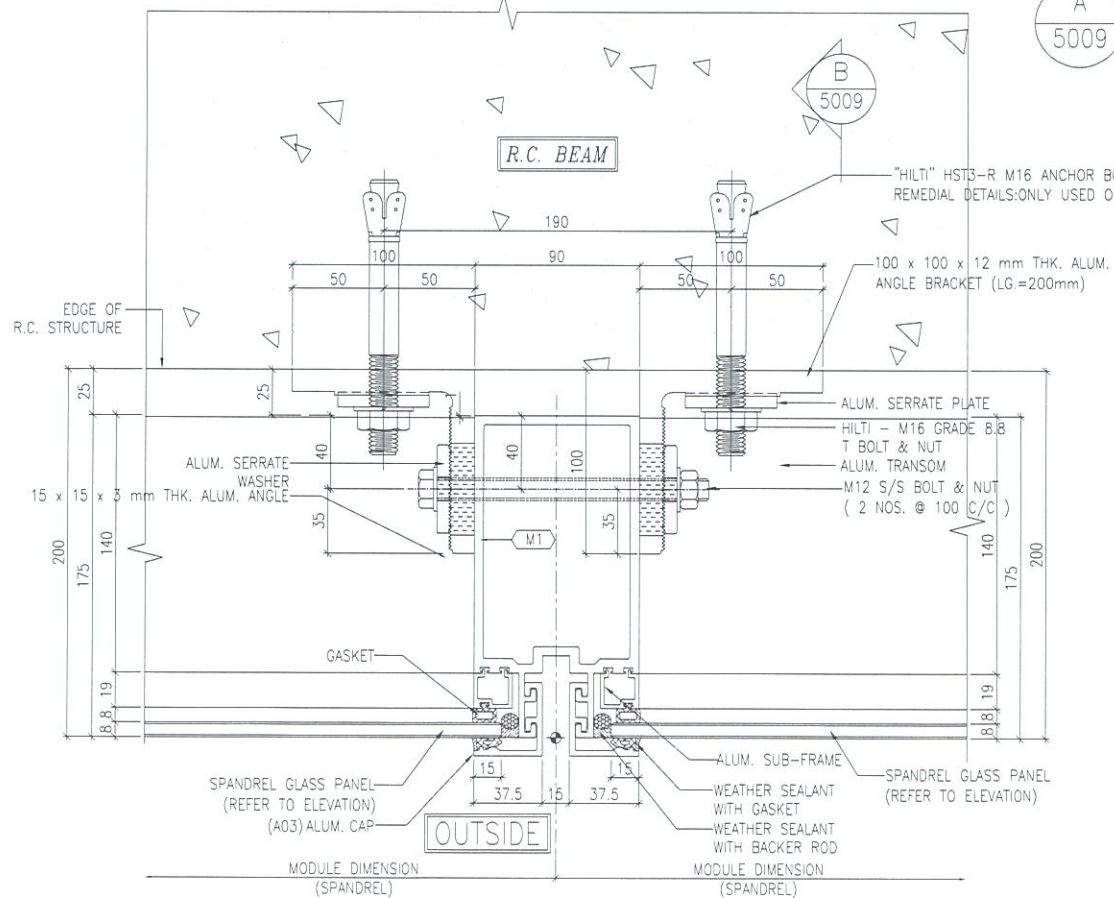


| Original | | | | Remedial | | | |
|----------|------------------|-------|---------|----------|------------|----|---------|
| | *Load Width | 中間/邊企 | ----->> | BD圖紙 | 拉爆 | 粒數 | Bracket |
| 1 | <1000mm | 中間 | ----->> | RD-A | HST3-R M16 | 2粒 | 不變 |
| 2 | >1000mm | 中間 | ----->> | RD-B | HST3-R M16 | 4粒 | 加長至350 |
| 3 | < 2300mm | 趟門勾企 | ----->> | RD-C1 | HST3-R M16 | 4粒 | 換320鐵件 |
| 4 | > 2301 & <2800mm | 趟門勾企 | ----->> | RD-C2 | HST3-R M24 | 4粒 | 換320鐵件 |
| 5 | < 900mm | 邊企 | ----->> | RD-D1 | HST3-R M16 | 2粒 | 換250鐵件 |
| 6 | > 901 & <1400mm | 邊企 | ----->> | RD-D2 | HST3-R M16 | 2粒 | 換320鐵件 |

*Load Width 等於左右兩倉相加除2



CASE : RD **B** 1 REMEDIAL DETAILS CURTAIN WALL



CASE : RD **A** 2 REMEDIAL DETAILS CURTAIN WALL

SPANDREL GLASS PANEL (REFER TO ELEVATION)

"HILTI" HST3-R M16 ANCHOR BOLTS (4 NOS.)
REMEDIAL DETAILS: ONLY USED ON LOAD WIDTH > 1000mm

100 x 100 x 12 mm THK. ALUM. ANGLE BRACKET (LG=350mm)

HILTI - M16 GRADE 8.8 T BOLT & NUT
ALUM. TRANSOM
M12 S/S BOLT & NUT (2 NOS. @ 100 C/C)

OUTSIDE

MODULE DIMENSION (SPANDREL GLASS)

如是
全用

ALUM. SERRATE PLATE

ø18X66mm LG. SLOT HOLE

"HILTI" HST3-R M16 ANCHOR BOLTS (4 NOS.)
REMEDIAL DETAILS: ONLY USED ON LOAD WIDTH > 1000mm

ALUM. SERRATE WASHER
100 x 100 x 12 mm THK. ANGLE BRACKET

M12 S/S BOLT & NUT

4 粒

R.C. BEAM (300x600)

A 5009 REMEDIAL DETAILS CURTAIN WALL

SPANDREL GLASS PANEL (REFER TO ELEVATION)

"HILTI" HST3-R M16 ANCHOR BOLTS (2 NOS.)
REMEDIAL DETAILS: ONLY USED ON LOAD WIDTH < 1000mm

100 x 100 x 12 mm THK. ALUM. ANGLE BRACKET (LG=200mm)

ALUM. SERRATE PLATE
HILTI - M16 GRADE 8.8 T BOLT & NUT
ALUM. TRANSOM
M12 S/S BOLT & NUT (2 NOS. @ 100 C/C)

OUTSIDE

MODULE DIMENSION (SPANDREL GLASS)

2 粒

R.C. BEAM (300x600)

B 5009 REMEDIAL DETAILS CURTAIN WALL

B.D. REF :

STATEMENT II : THE WORKS SHOWN ON THESE PLANS ARE TYPE II WORKS IN RESPECT OF WHICH THE BUILDING AUTHORITY'S CONSENT IS APPLIED FOR
NEW DRAWING

CLIENT :
信和置業有限公司
Sino Land Company Limited

ARCHITECT :
WONG TUNG & PARTNERS LIMITED
ARCHITECTS & PLANNERS

MAIN CONTRACTOR :
CR Construction Company Limited

STRUCTURAL ENGINEER :
AECOM

FACADE CONSULTANT :
AECOM

NOTE :
1. ALL DIMENSIONS ARE IN mm.
2. ALL ELEVATIONS ARE VIEWED FROM OUTSIDE.
3. ALL DIMENSIONS TO BE VERIFIED ON SITE BEFORE FABRICATION.

LEGEND :
X1 -- DETAIL MARK NO.
X001 -- REFER SHEET NO.
1. F.F.L. -- FINISHED FLOOR LEVEL
2. S.F.L. -- STRUCTURAL FLOOR LEVEL
3. (R) -- REVERSED DETAIL

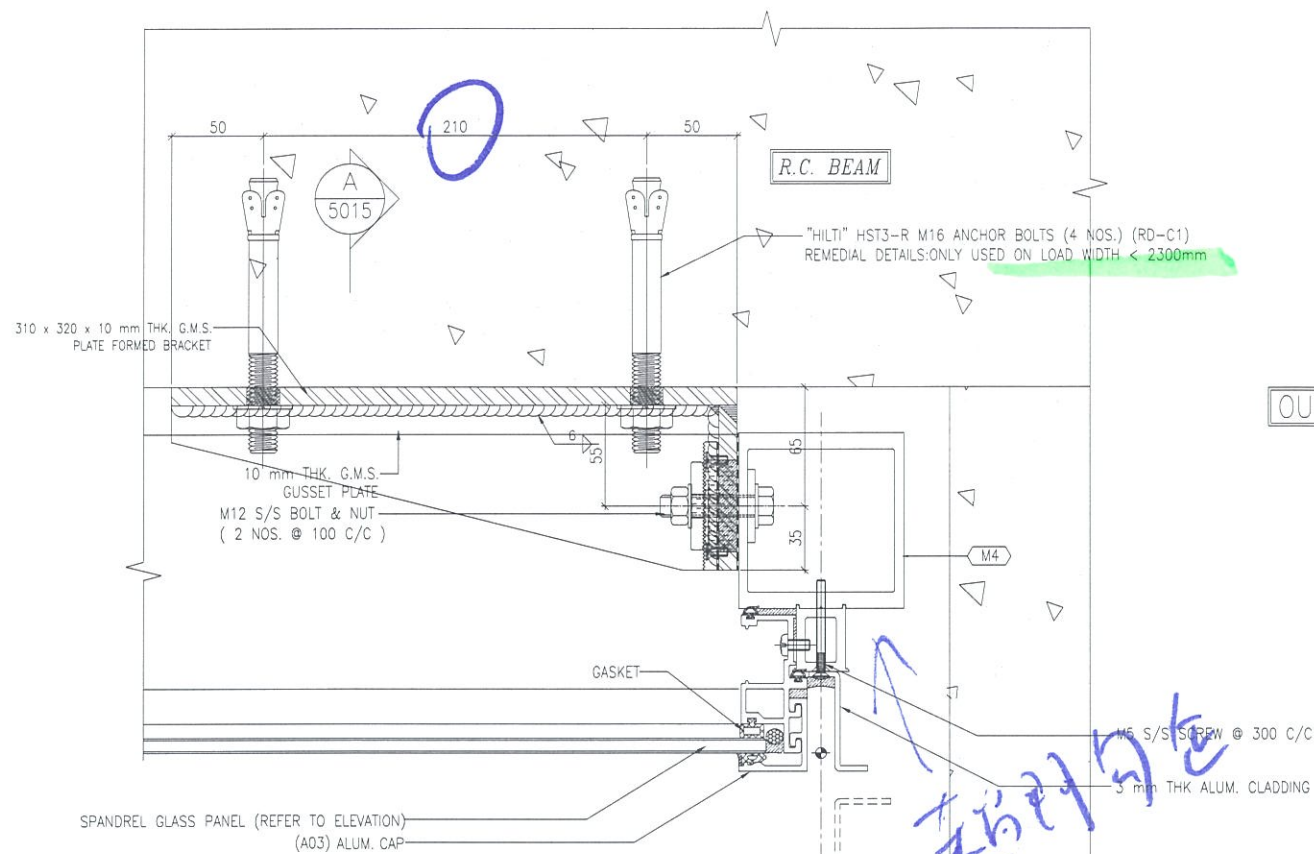
| NO. | DATE | REVISED | BY |
|-----|------|---------|----|
| | | | |

JOB NO. : J-837
PROJECT : URA KWUN TONG TOWN CENTRE REDEVELOPMENT (AREA 2 & 3) AT NKIL 6514, KWUN TONG, KWLOON

TITLE : REMEDIAL DETAILS FOR CURTAIN WALL

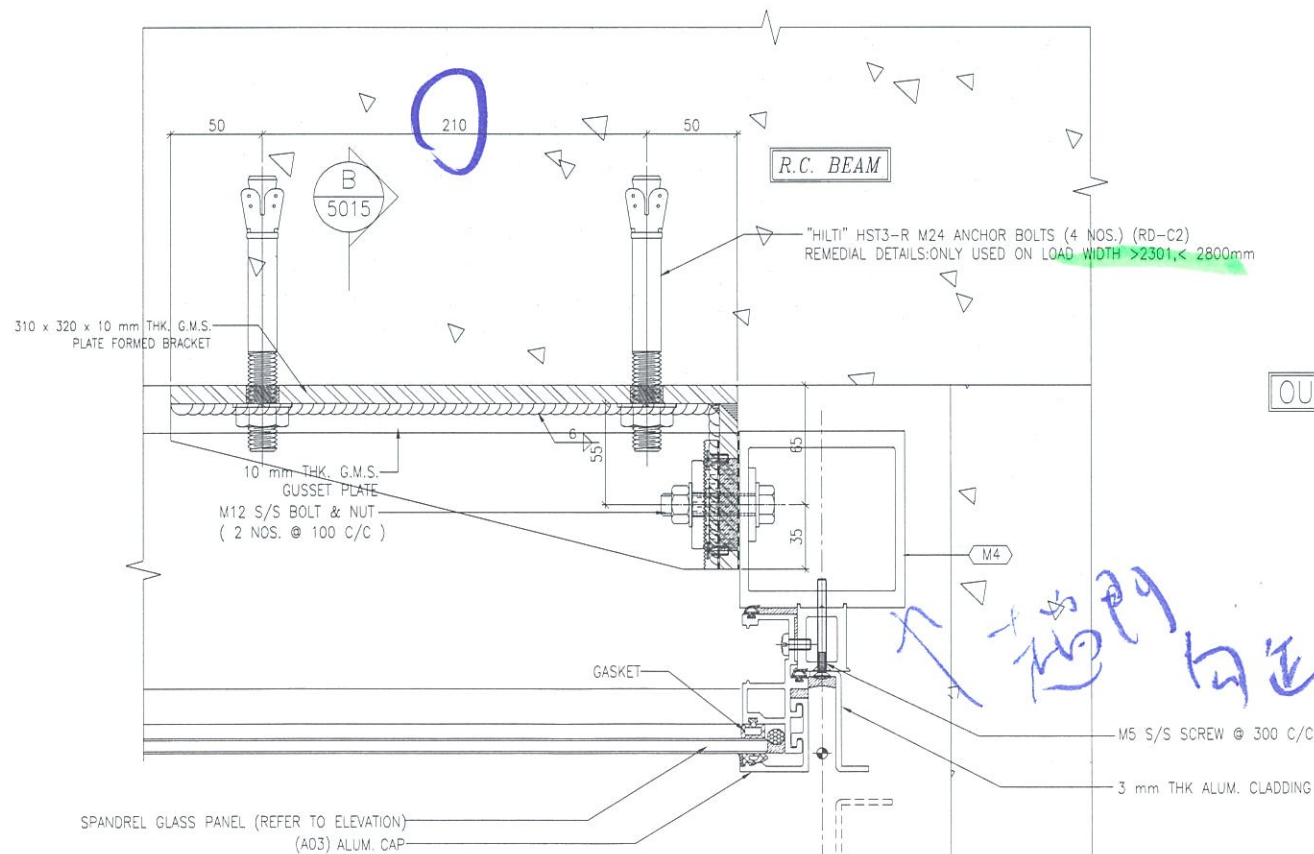
DATE : 28-JAN-19 SCALE : 1:2 (A1)
DRAWN BY : ASING CHECKED BY : -

美特鋁業有限公司
M.T. ALUMINUM FABRICATOR LTD.
Units 6-8, Sunray Industrial Centre /F
610 Cha Kwo Ling Road, Kowloon
Tel: 23489211-4 Fax: (853) 27727666
DWG NO. : J837-BDCW-5009 REV. : -



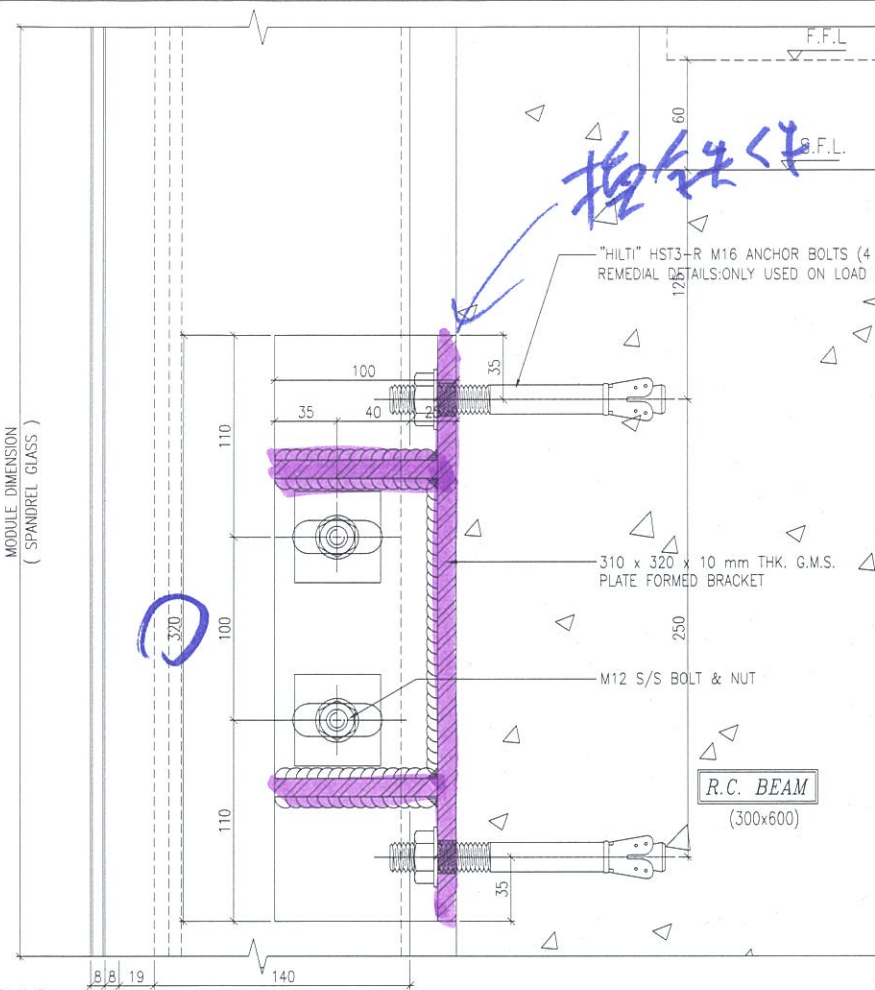
OUTSIDE

CASE : RD-C1 1 5015 REMEDIAL DETAILS CURTAIN WALL



OUTSIDE

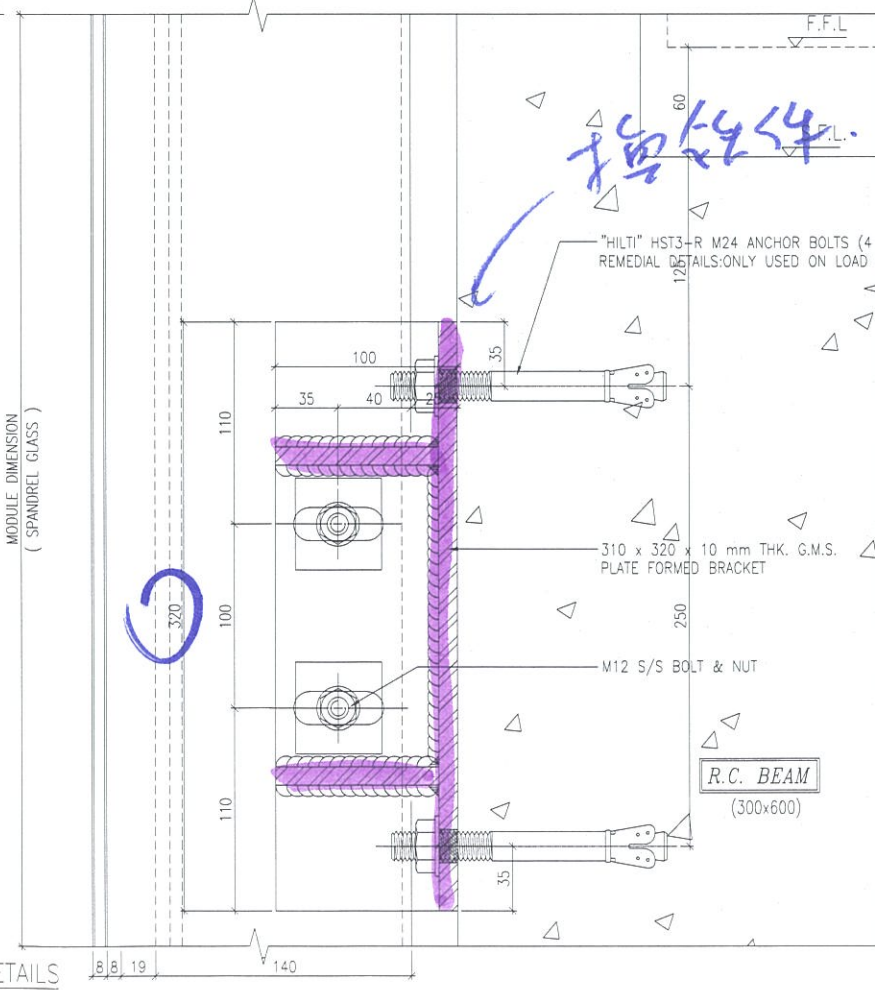
CASE : RD-C2 2 5015 REMEDIAL DETAILS CURTAIN WALL



指鉄件

M16x4

A 5015 REMEDIAL DETAILS CURTAIN WALL



指鉄件

M24x4

B 5015 REMEDIAL DETAILS CURTAIN WALL

B.D. REF :

STATEMENT II : THE WORKS SHOWN ON THESE PLANS ARE TYPE II WORKS IN RESPECT OF WHICH THE BUILDING AUTHORITY'S CONSENT IS APPLIED FOR

NEW DRAWING

CLIENT : 信和置業有限公司 Sino Land Company Limited

ARCHITECT : WONG TUNG & PARTNERS LIMITED ARCHITECTS & PLANNERS

MAIN CONTRACTOR : CR Construction Company Limited

STRUCTURAL ENGINEER : AECOM

FAÇADE CONSULTANT: AECOM

NOTE :
1. ALL DIMENSIONS ARE IN mm.
2. ALL ELEVATIONS ARE VIEWED FROM OUTSIDE.
3. ALL DIMENSIONS TO BE VERIFIED ON SITE BEFORE FABRICATION.

LEGEND :
X1 -- DETAIL MARK NO.
X001 -- REFER SHEET NO.
1. F.F.L. -- FINISHED FLOOR LEVEL
2. S.F.L. -- STRUCTURAL FLOOR LEVEL
3. (R) -- REVERSED DETAIL

| NO. | DATE | REVISED | BY |
|-----|------|---------|----|
| | | | |

JOB NO. : J-837
PROJECT : URA KWUN TONG TOWN CENTRE REDEVELOPMENT (AREA 2 & 3) AT NKIL 6514, KWUN TONG, KWLOON

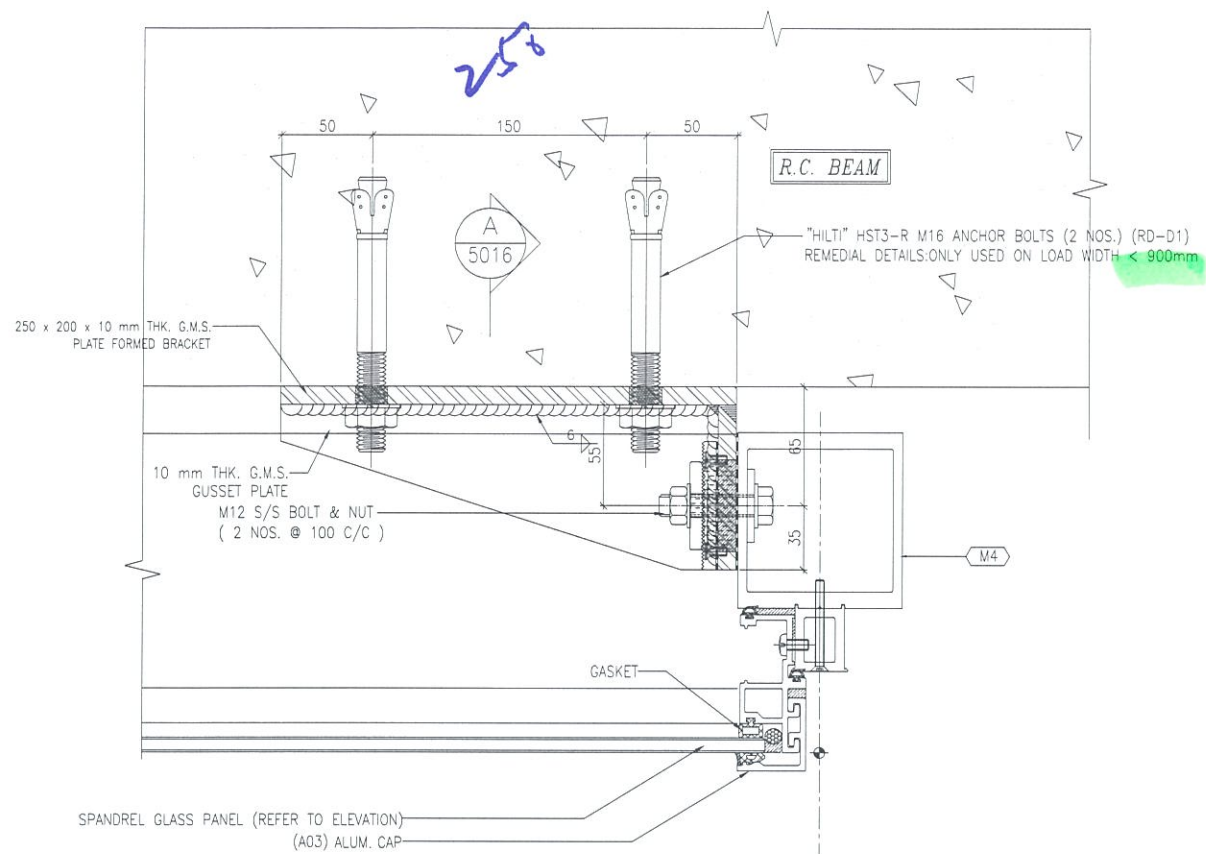
TITLE : REMEDIAL DETAILS FOR CURTAIN WALL

DATE : 28-JAN-19 SCALE : 1:2 (A1)

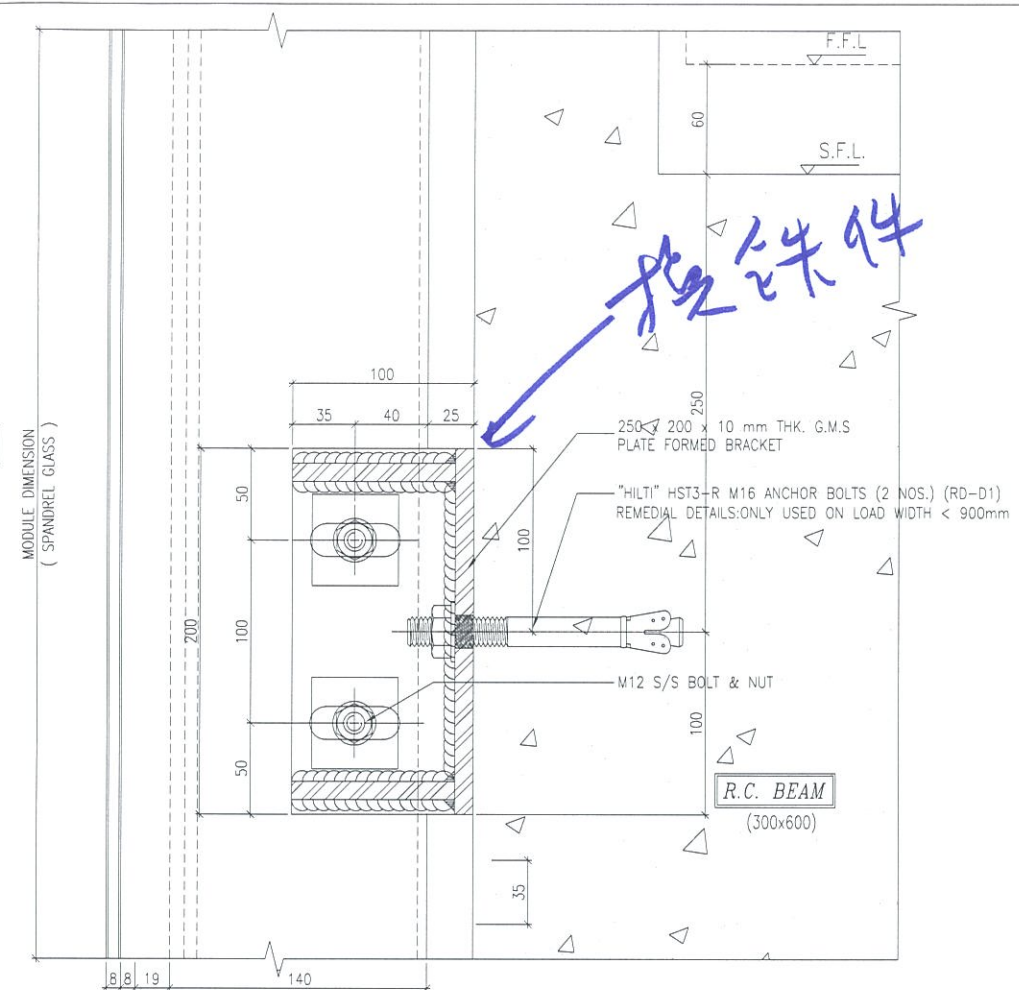
DRAWN BY : ASING CHECKED BY : -

美特鋁業有限公司
MIDI ALUMINIUM FABRICATOR LTD.
Units 6-8, Sunray Industrial Centre, 1/F
610 Cha Kwo Ling Road, Kowloon
Tel: 23489211-4 Fax: (852) 27727666

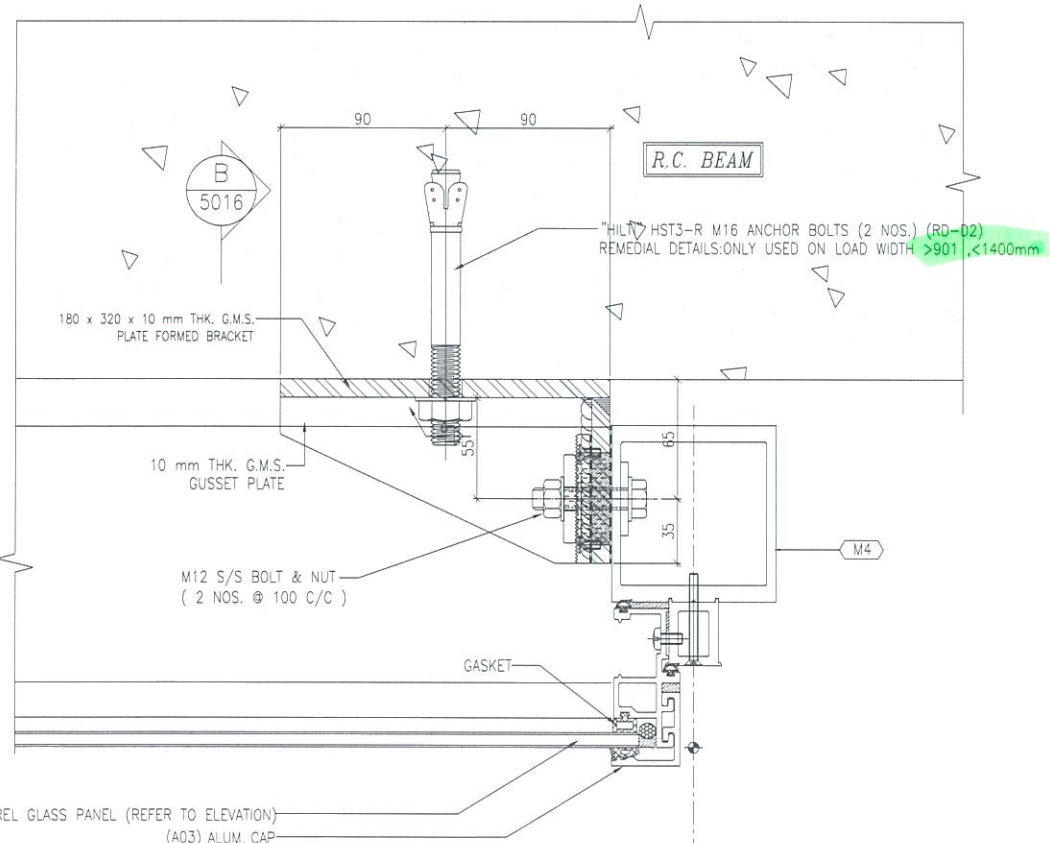
DWG NO. : J837-BDCW-5015 REV. : -



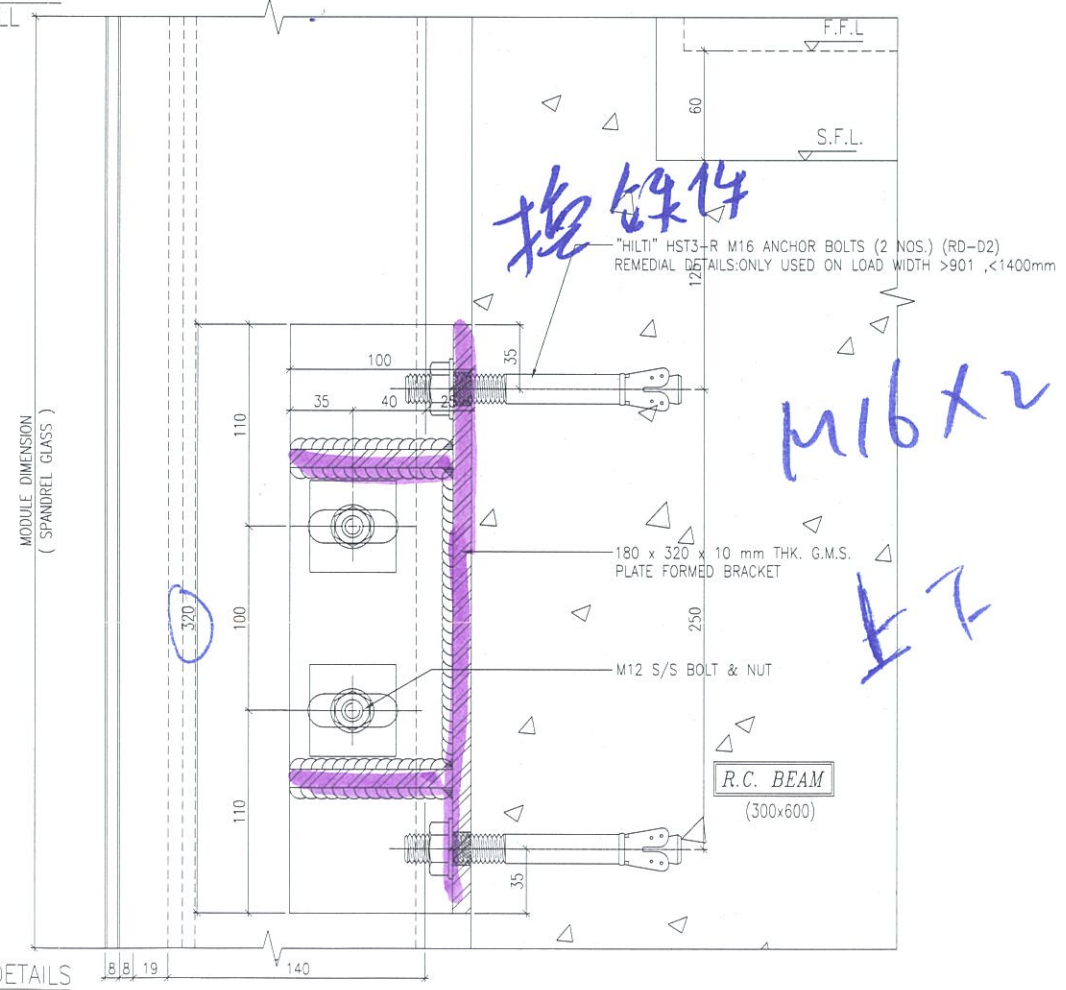
CASE : RD **D1** 1 5016 REMEDIAL DETAILS CURTAIN WALL



A 5016 REMEDIAL DETAILS CURTAIN WALL



CASE : RD **D2** 2 5016 REMEDIAL DETAILS CURTAIN WALL



B 5016 REMEDIAL DETAILS CURTAIN WALL

B.D. REF :
 STATEMENT II : THE WORKS SHOWN ON THESE PLANS ARE TYPE II WORKS IN RESPECT OF WHICH THE BUILDING AUTHORITY'S CONSENT IS APPLIED FOR
NEW DRAWING

CLIENT :
 信和置業有限公司
 Sino Land Company Limited

ARCHITECT :
 WONG TUNG & PARTNERS LIMITED
 ARCHITECTS & PLANNERS

MAIN CONTRACTOR :
 CR Construction Company Limited

STRUCTURAL ENGINEER :
 AECOM

FAÇADE CONSULTANT :
 AECOM

NOTE :
 1. ALL DIMENSIONS ARE IN mm.
 2. ALL ELEVATIONS ARE VIEWED FROM OUTSIDE.
 3. ALL DIMENSIONS TO BE VERIFIED ON SITE BEFORE FABRICATION.

LEGEND :
 (X1) --- DETAIL MARK NO.
 (X001) --- REFER SHEET NO.
 1. F.F.L. -- FINISHED FLOOR LEVEL
 2. S.F.L. -- STRUCTURAL FLOOR LEVEL
 3. (R) -- REVERSED DETAIL

| NO. | DATE | REVISED | BY |
|------------------------------------------------------------------------------------------------|------|---------|----|
| JOB NO. : J-837 | | | |
| PROJECT : URA KWUN TONG TOWN CENTRE REDEVELOPMENT (AREA 2 & 3) AT NKIL 6514, KWUN TONG, KWLOON | | | |
| TITLE : REMEDIAL DETAILS FOR CURTAIN WALL | | | |

DATE : 28-JAN-19 SCALE : 1:2 (A1)
 DRAWN BY : ASING CHECKED BY : -
 美特鋁質有限公司
 MID ALUMINIUM FABRICATOR LTD.
 Units 6-8, Sunray Industrial Centre, 1/F
 610 Cha Kwo Ling Road, Kowloon
 Tel: 23489211-4 Fax: (852) 27727666
 DWG NO. : J837-BDCW-5016 REV. : -