



工程指示 / 要求簡箋(E.I.)

工程指示編號：EI / 055 / 19

修改版次：-

工程編號：J - 837

工程名稱：觀塘裕民坊

工程項目：幕牆 浴室位防水片(3層樣板)(企+橫) (有包)

收件人：生統 / 永林

發件人：Eric Liu

日期：08/05/2019

要求提供 / 確認 事項：

- |                                    |                                     |                               |
|------------------------------------|-------------------------------------|-------------------------------|
| <input type="checkbox"/> 初步鋁料 B.M. | <input type="checkbox"/> 加工拆圖，然後生產  | <input type="checkbox"/> 尺寸表  |
| <input type="checkbox"/> 正式鋁料 B.M. | <input type="checkbox"/> 技術上資料 / 指示 | <input type="checkbox"/> 報價   |
| <input type="checkbox"/> 配件 B.M.   | <input type="checkbox"/> 樣辦或貨品說明書   | <input type="checkbox"/> 分判合約 |
| <input type="checkbox"/> 其他：_____  |                                     |                               |

內容：

請按加工圖生產防水片及室內收口鋁板送地盤安裝(企+橫款，3層數量 做樣板用)

1) 浴室位置，T1A,T2M,T3E,T5A 用(TYP 款)

2) 大判已出 SI217

3) 永林: 請提供正式加工圖，供大貨加工用

謝謝 (4)各款每位3件, 合庄包裝

請在 2019/5/17 前完成上列要求。

附：5頁 加工圖，1頁總表，7頁位置圖，3頁 DETAIL，2頁 SI

以上項目為：

- 原合約工程包                       原合約工程加 / 減賬                       新工程報價

原因：-

分發東莞各部門：

- ( ) 生產技術總監  連附件    ( ) 技術部  連附件    ( ) 生產部  連附件    ( ) 機械設計部  連附件  
 ( ) 採購部  連附件    ( ) 生產統籌部  連附件  
 ( ) 質檢部  連附件    ( ) 會計部  連附件    ( ) 報關組  連附件    ( ) 其他 楊榮輝  連附件

分發其他分判：

- ( ) 王禮秋  連附件

分發香港各部門：

- ( ) 行政部  連附件    ( ) 會計部  連附件    ( ) 統籌部  連附件    ( ) 工程部地盤科文  連附件  
 ( ) 採購部  連附件    ( ) QS 部  連附件    ( ) 維修部  連附件    ( ) 其他 \_\_\_\_\_  連附件

傳遞編號：

HK 1074 / 19

發件人簽署：

項目經理簽署：

全身

# CASE 1 - OPTION 2

A款

(做白漆)

颜色 = VCT 803649 FxL-3  
1.5mm 铝板

B款

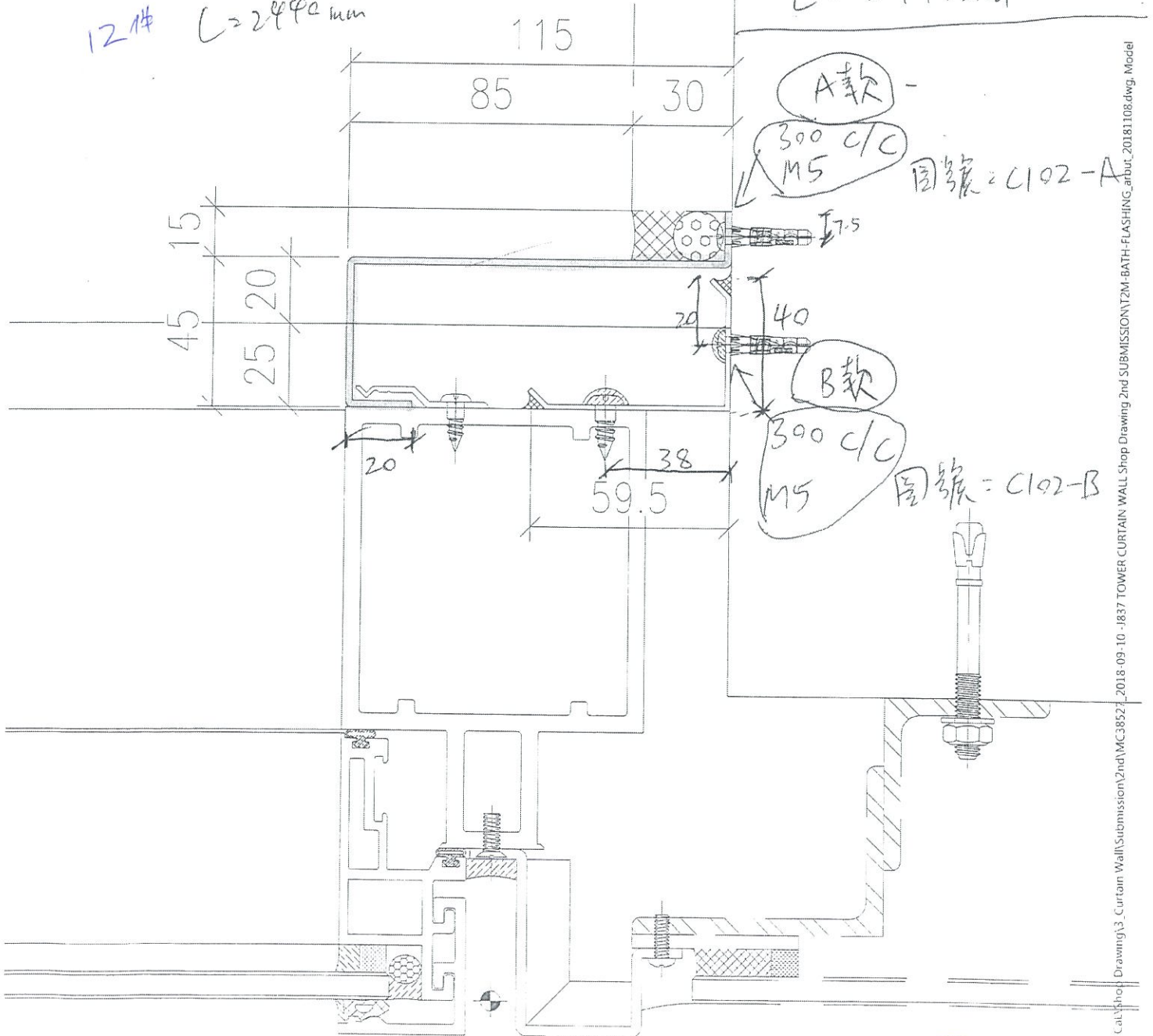
颜色 = Mill

1.5mm 铝板  
12件

L = 2440mm

12件

L = 2440mm



①

廠自畫  
 規格: UCT 803649FXL-3  
 1.5mm 鋸板  
 L = 2440mm

圖號 = C203-A

A款

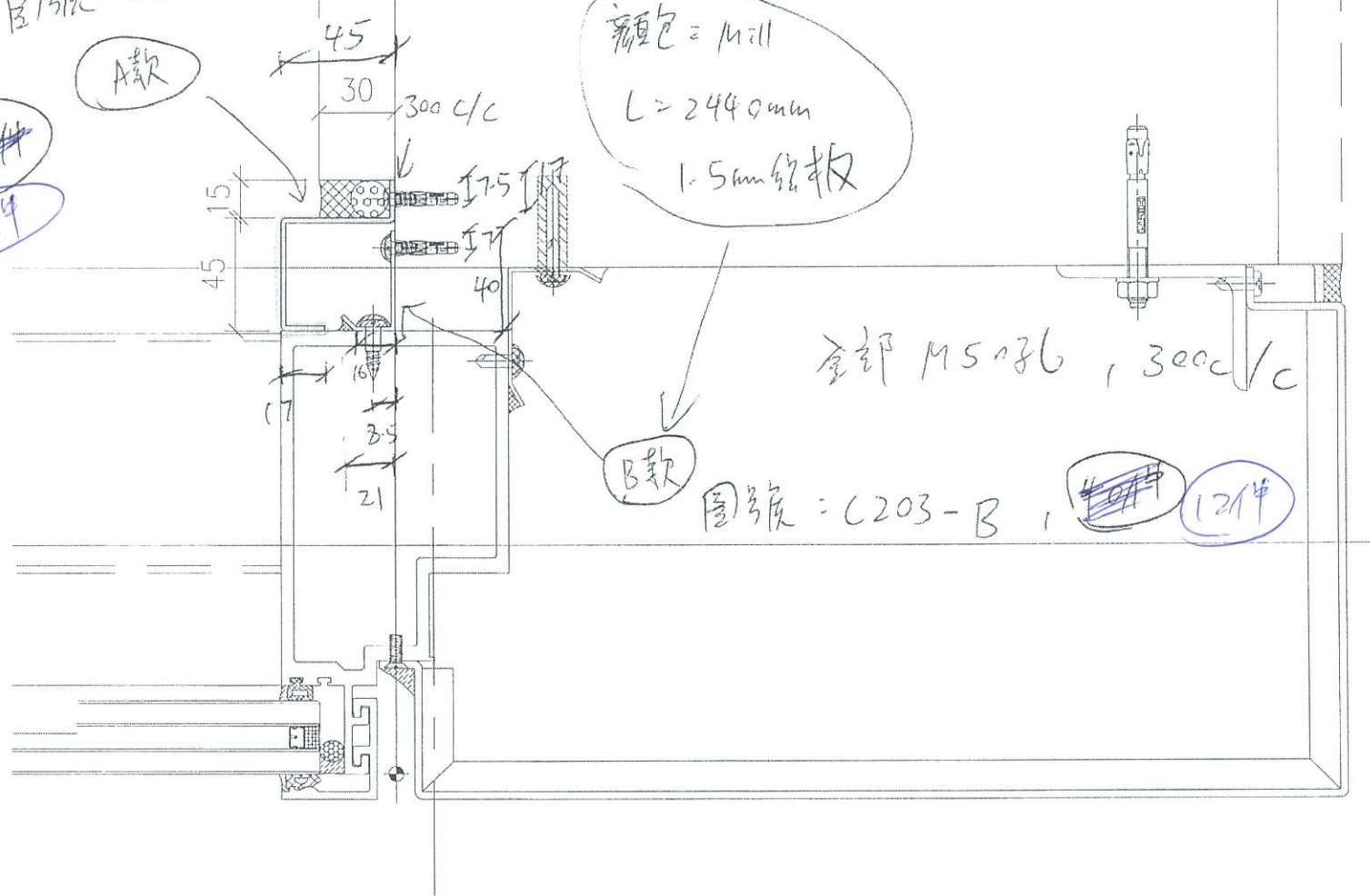
~~40件~~  
 12件

T1A

全身

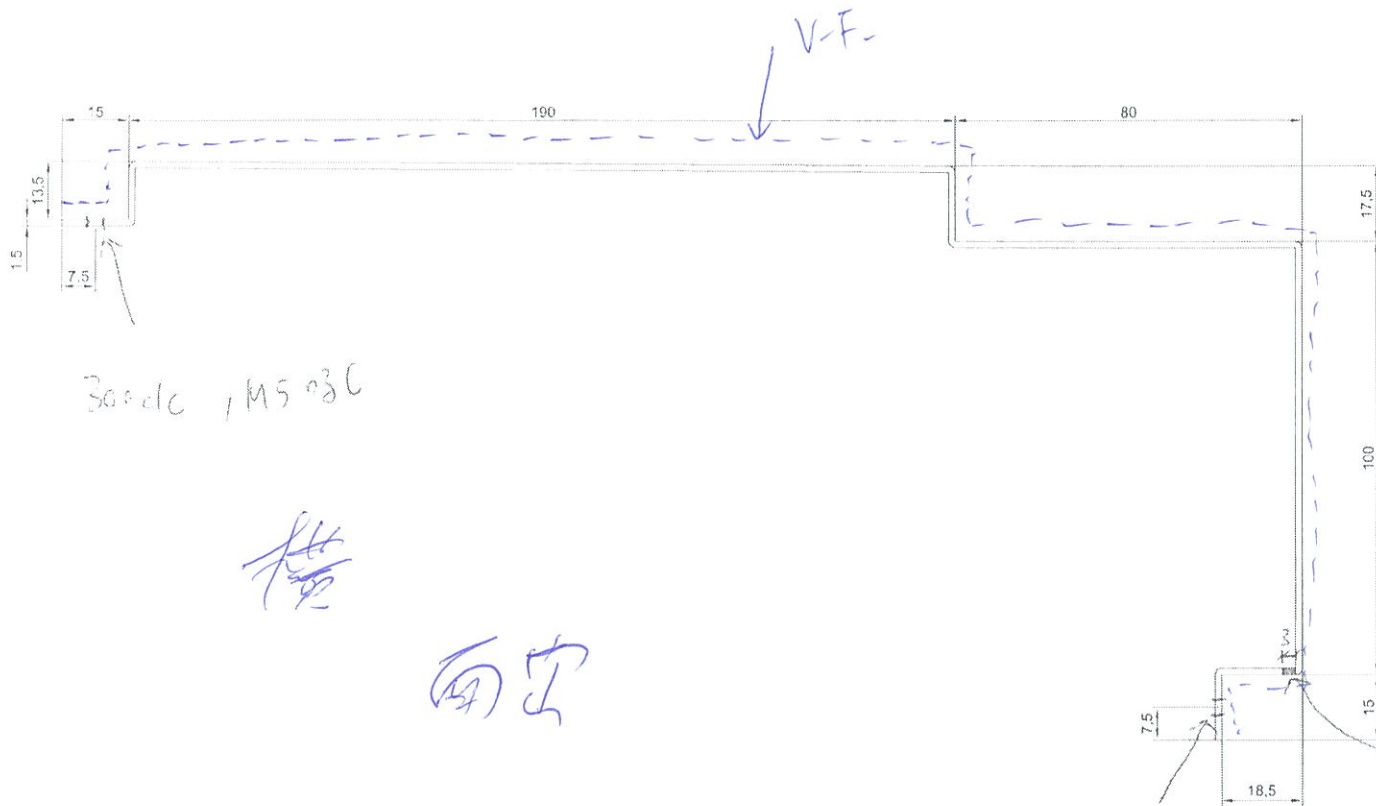
CASE 2-OPTION 3

規格 = Mill  
 L = 2440mm  
 1.5mm 鋸板



2





圖號: BNF-001

F.5mm 鐵板

L=2440mm

規格 = ~~VCT803649~~ FXL-3

(教自產)

12件

300 c/c M5 036

板

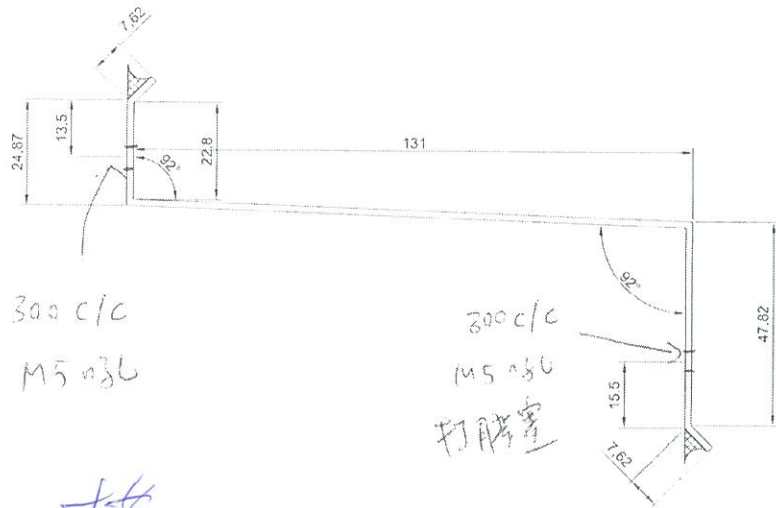
面空

300 c/c  
M5 036, 打膠器

滴水孔

4

圖號: 20455  
HF 0277



300 C/C  
M5 螺絲

橫

300 C/C  
M5 螺絲  
打膠塞

防冰片

圖號 = BNF-002

1.5mm 鋁板

L = 244mm

顏色 = Mill

12件

5

Bathroom. flushing

按座包禁

TYP.

坐 ei103

橫 (ei 455 號)

T1 A

Case 1 + Case 2

ei 455

T2 M

Case 1 + Case 2

ei 455

T3 F

Case 1 + Case 3

ei 455

T5 A

Case 1 + Case 3

ei 455



1 TYPICAL FLOOR PLAN AT TOWER 1

T1 - TYPICAL FLOOR PLAN  
7/F - 26/F 28/F - 49/F (37 STOREYS)  
(FLOOR NOS. 13, 14, 24, 34, 44 NOT USED.)

| FLOOR NUMBERING | LEVEL (mPD) |
|-----------------|-------------|
| 7F              | 42.400      |
| 8F              | 45.550      |
| 9F              | 48.700      |
| 10F             | 51.850      |
| 11F             | 55.000      |
| 12F             | 58.150      |
| 15F             | 61.300      |
| 16F             | 64.450      |
| 17F             | 67.600      |
| 18F             | 70.750      |
| 19F             | 73.900      |
| 20F             | 77.050      |
| 21F             | 80.200      |
| 22F             | 83.350      |
| 23F             | 86.500      |
| 25F             | 89.650      |
| 26F             | 92.800      |
| 28F             | 99.250      |
| 29F             | 102.250     |
| 30F             | 105.400     |
| 31F             | 108.550     |
| 32F             | 111.700     |
| 33F             | 114.850     |
| 35F             | 118.000     |
| 36F             | 121.150     |
| 37F             | 124.300     |
| 38F             | 127.450     |
| 39F             | 130.600     |
| 40F             | 133.750     |
| 41F             | 136.900     |
| 42F             | 140.050     |
| 43F             | 143.100     |
| 45F             | 146.350     |
| 46F             | 149.500     |
| 47F             | 152.650     |
| 48F             | 155.800     |
| 49F             | 158.950     |

T1A  
TYP

- NOTE:
- ALL DIMENSIONS ARE IN mm.
  - ALL ELEVATIONS ARE VIEWED FROM OUTSIDE.
  - ALL DIMENSIONS TO BE VERIFIED ON SITE BEFORE FABRICATION.
- LEGEND:
- X1 - DETAIL MARK NO.
  - X001 - REFER SHEET NO.
- F.F.L. -- FINISHED FLOOR LEVEL
  - S.F.L. -- STRUCTURAL FLOOR LEVEL
  - (R) -- REVERSED DETAIL

B.D. REF :

CLIENT :  
信和置業有限公司  
Sino Land Company Limited

ARCHITECT :  
WONG TUNG & PARTNERS LIMITED  
ARCHITECTS & PLANNERS

MAIN CONTRACTOR :  
CR Construction Company Limited

STRUCTURAL ENGINEER :  
AECOM

FAÇADE CONSULTANT:  
AECOM

| NO. | DATE      | GENERAL | REVISED | BY |
|-----|-----------|---------|---------|----|
| A   | 10/9/2018 | GENERAL | REVISED |    |

JOB NO. : J-837  
PROJECT :  
URA KWUN TONG TOWN CENTRE  
REDEVELOPMENT (AREA 2 & 3) AT  
NKIL 6514, KWUN TONG, KWLOON

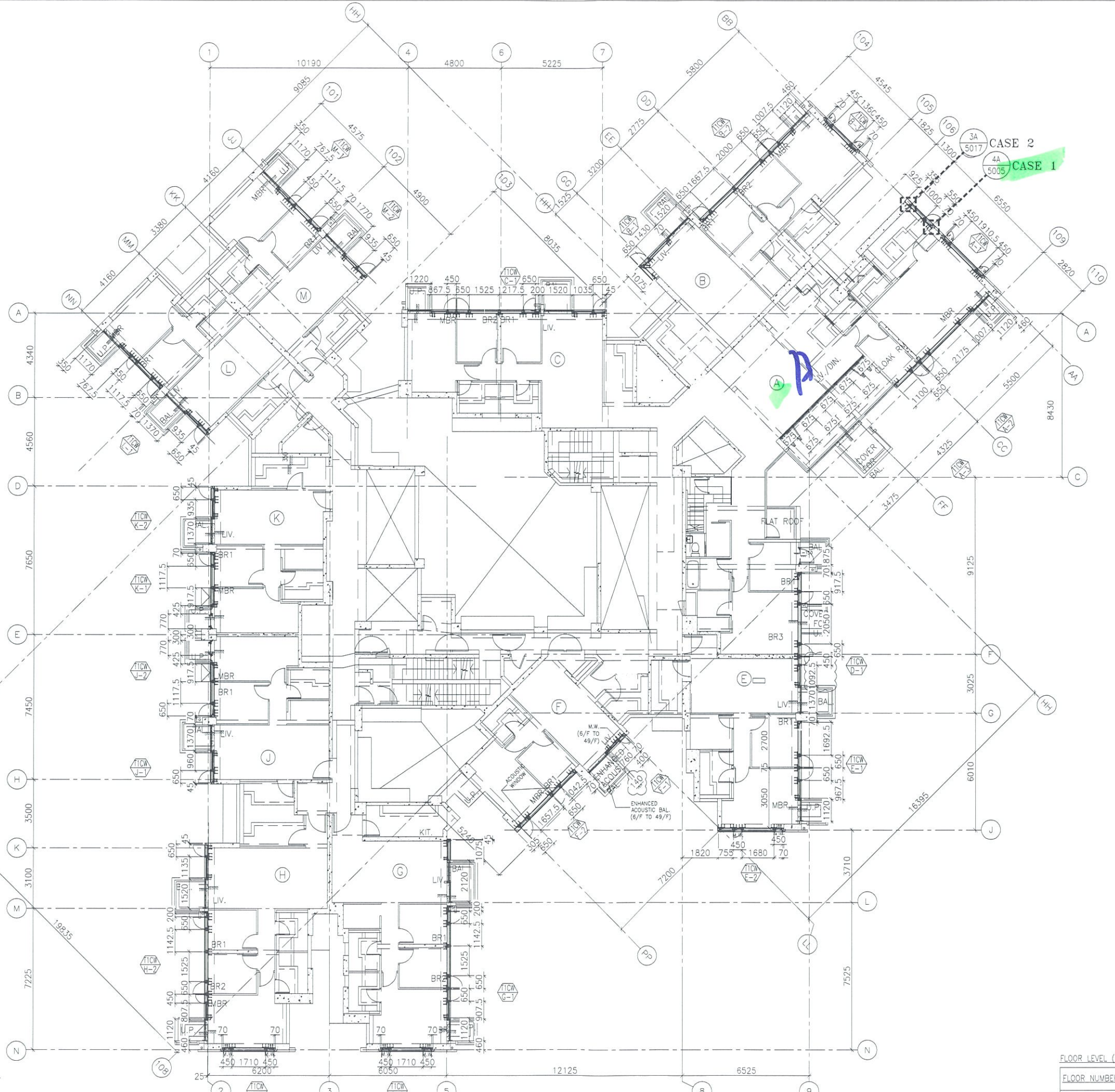
TITLE :  
TYPICAL FLOOR PLAN  
OF CURTAIN WALL  
AT TOWER 1

DATE : 04-JUL-18 SCALE : 1:100 (A1)  
DRAWN BY : ASING CHECKED BY : -

美特鋁質有限公司  
MIDI ALUMINIUM FABRICATOR LTD.  
Units 6-8, Sunray Industrial Centre, 1/F  
610 Cha Kwo Ling Road, Kowloon  
Tel: 23489211-4 Fax: (852) 2727666

DWG NO. : J837-CW-3102 REV. : A

1 50TH FLOOR PLAN AT TOWER 1



B.D. REF :

CLIENT :  
 信和置業有限公司  
 Sino Land Company Limited

ARCHITECT :  
 WONG TUNG & PARTNERS LIMITED  
 ARCHITECTS & PLANNERS

MAIN CONTRACTOR :  
 CR Construction Company Limited

STRUCTURAL ENGINEER :  
 AECOM

FACADE CONSULTANT:  
 AECOM

NOTE :  
 1. ALL DIMENSIONS ARE IN mm.  
 2. ALL ELEVATIONS ARE VIEWED FROM OUTSIDE.  
 3. ALL DIMENSIONS TO BE VERIFIED ON SITE BEFORE FABRICATION.

LEGEND :  
 (X1) --- DETAIL MARK NO.  
 (X00) --- REFER SHEET NO.  
 1. F.F.L --- FINISHED FLOOR LEVEL  
 2. S.F.L --- STRUCTURAL FLOOR LEVEL  
 3. (R) --- REVERSED DETAIL

| NO. | DATE       | REVISED         | BY |
|-----|------------|-----------------|----|
| G   | 21/02/2019 | GENERAL REVISED |    |
| F   | 28/01/2019 | GENERAL REVISED |    |
| E   | 19/01/2019 | GENERAL REVISED |    |
| D   | 22/12/2018 | GENERAL REVISED |    |
| C   | 01/12/2018 | GENERAL REVISED |    |
| B   | 24/11/2018 | GENERAL REVISED |    |
| A   | 11/10/2018 | GENERAL REVISED |    |

JOB NO. : J-837  
 PROJECT :  
 URA KWUN TONG TOWN CENTRE  
 REDEVELOPMENT (AREA 2 & 3) AT  
 NKIL 6514, KWUN TONG, KWLOON

TITLE :  
 50TH FLOOR PLAN  
 OF CURTAIN WALL  
 AT TOWER 1

DATE : 10-SEP-18 SCALE : 1:100 (A1)  
 DRAWN BY : ASING CHECKED BY : -

英特鋁質有限公司  
 MIDI ALUMINIUM FABRICATOR LTD.  
 Units 6-8, Sunray Industrial Centre, 1/F  
 610 Cha Kwo Ling Road, Kowloon  
 Tel: 23489211-4 Fax: (852) 2727666  
 DWG NO. : J837-CW-3103 REV. : G

| FLOOR NUMBERING | LEVEL (mPD) |
|-----------------|-------------|
| 50F             | +162.100    |

T:\Jobs\J-837\3 Dwg & Cal\Shop Drawing\3\_Curtain Wall\Submission\5th\2019-01-28-J837 TOWER CURTAIN WALL Shop Drawing 5TH SUBMISSION\Arbut Plans\20190314 - bathroom case\4\_embed plan\6F-RF.dwg, Model



1 TYPICAL FLOOR PLAN AT TOWER 2

T2 - TYPICAL FLOOR PLAN  
7/F - 26/F 28/F - 53/F  
(FLOOR NOS. 13, 14, 24, 34, 44, 54 NOT USED.)

| FLOOR LEVEL (S.F.L.)(T2) |             |
|--------------------------|-------------|
| FLOOR NUMBERING          | LEVEL (mPD) |
| 7F                       | 42.400      |
| 8F                       | 45.550      |
| 9F                       | 48.700      |
| 10F                      | 51.850      |
| 11F                      | 55.000      |
| 12F                      | 58.150      |
| 15F                      | 61.300      |
| 16F                      | 64.450      |
| 17F                      | 67.600      |
| 18F                      | 70.750      |
| 19F                      | 73.900      |
| 20F                      | 77.050      |
| 21F                      | 80.200      |
| 22F                      | 83.350      |
| 23F                      | 86.500      |
| 25F                      | 89.650      |
| 26F                      | 92.800      |
| 28F                      | 99.250      |
| 29F                      | 102.250     |
| 30F                      | 105.400     |
| 31F                      | 108.550     |
| 32F                      | 111.700     |
| 33F                      | 114.850     |
| 35F                      | 118.000     |
| 36F                      | 121.150     |
| 37F                      | 124.300     |
| 38F                      | 127.450     |
| 39F                      | 130.600     |
| 40F                      | 133.750     |
| 41F                      | 136.900     |
| 42F                      | 140.050     |
| 43F                      | 143.100     |
| 45F                      | 146.350     |
| 46F                      | 149.500     |
| 47F                      | 152.650     |
| 48F                      | 155.800     |
| 49F                      | 158.950     |
| 50F                      | 162.100     |
| 51F                      | 165.250     |
| 52F                      | 168.400     |
| 53F                      | 171.550     |

- NOTE:
- ALL DIMENSIONS ARE IN mm.
  - ALL ELEVATIONS ARE VIEWED FROM OUTSIDE.
  - ALL DIMENSIONS TO BE VERIFIED ON SITE BEFORE FABRICATION.
- LEGEND:
- (X1) - DETAIL MARK NO.
  - (X001) - REFER SHEET NO.
  - F.F.L. -- FINISHED FLOOR LEVEL
  - S.F.L. -- STRUCTURAL FLOOR LEVEL
  - (/R) -- REVERSED
- TLM  
TYP

B.D. REF :

CLIENT :  
信和置業有限公司  
Sino Land Company Limited

ARCHITECT :  
WONG TUNG & PARTNERS LIMITED  
ARCHITECTS & PLANNERS

MAIN CONTRACTOR :  
CR Construction Company Limited

STRUCTURAL ENGINEER :  
AECOM

FACADE CONSULTANT:  
AECOM

|     |           |         |         |    |
|-----|-----------|---------|---------|----|
| A   | 10/9/2018 | GENERAL | REVISED | BY |
| NO. | DATE      |         | REVISED | BY |

JOB NO. : J-837

PROJECT :  
URA KWUN TONG TOWN CENTRE  
REDEVELOPMENT (AREA 2 & 3) AT  
NKIL 6514, KWUN TONG, KWLOON

TITLE :  
TYPICAL FLOOR PLAN  
OF CURTAIN WALL  
AT TOWER 2

DATE : 04-JUL-18 SCALE : 1:100 (A1)

DRAWN BY : ASING CHECKED BY : -

美特鋁質有限公司  
MIDI ALUMINIUM FABRICATOR LTD.  
Units 6-8, Sunray Industrial Centre, 1/F  
610 Che Kwo Ling Road, Kowloon  
Tel: 23489211-4 Fax: (852) 2727666

DWG NO. : J837-CW-3202 REV. : A



**T3 - TYPICAL FLOOR PLAN**  
 7/F - 26/F      28/F - 51/F  
 (FLOOR NOS. 13, 14, 24, 34, 44 NOT USED.)

| FLOOR LEVEL (S.F.L.)(T3) |             |
|--------------------------|-------------|
| FLOOR NUMBERING          | LEVEL (mPD) |
| 7F                       | 42.400      |
| 8F                       | 45.550      |
| 9F                       | 48.700      |
| 10F                      | 51.850      |
| 11F                      | 55.000      |
| 12F                      | 58.150      |
| 15F                      | 61.300      |
| 16F                      | 64.450      |
| 17F                      | 67.600      |
| 18F                      | 70.750      |
| 19F                      | 73.900      |
| 20F                      | 77.050      |
| 21F                      | 80.200      |
| 22F                      | 83.350      |
| 23F                      | 86.500      |
| 25F                      | 89.650      |
| 26F                      | 92.800      |
| 28F                      | 99.250      |
| 29F                      | 102.250     |
| 30F                      | 105.400     |
| 31F                      | 108.550     |
| 32F                      | 111.700     |
| 33F                      | 114.850     |
| 35F                      | 118.000     |
| 36F                      | 121.150     |
| 37F                      | 124.300     |
| 38F                      | 127.450     |
| 39F                      | 130.600     |
| 40F                      | 133.750     |
| 41F                      | 136.900     |
| 42F                      | 140.050     |
| 43F                      | 143.100     |
| 45F                      | 146.350     |
| 46F                      | 149.500     |
| 47F                      | 152.650     |
| 48F                      | 155.800     |
| 49F                      | 158.950     |
| 50F                      | 162.100     |
| 51F                      | 165.250     |

**NOTE:**  
 1. ALL DIMENSIONS ARE IN mm.  
 2. ALL ELEVATIONS ARE VIEWED FROM OUTSIDE.  
 3. ALL DIMENSIONS TO BE VERIFIED ON SITE BEFORE FABRICATION.

**LEGEND:**  
 (X1) — DETAIL MARK NO.  
 (X001) — REFER SHEET NO.  
 1. F.F.L. — FINISHED FLOOR LEVEL  
 2. S.F.L. — STRUCTURAL FLOOR LEVEL  
 3. (R) — REVERSED WALL

*13F TYP*

|   |           |                 |    |
|---|-----------|-----------------|----|
| A | 10/9/2018 | GENERAL REVISED | BY |
|---|-----------|-----------------|----|

JOB NO. : J-837  
 PROJECT : URA KWUN TONG TOWN CENTRE REDEVELOPMENT (AREA 2 & 3) AT NKIL 6514, KWUN TONG, KWLOON

TITLE : TYPICAL FLOOR PLAN OF CURTAIN WALL AT TOWER 3

DATE : 04-JUL-18      SCALE : 1:100 (A1)  
 DRAWN BY : ASING      CHECKED BY : -

**美特鋁質有限公司**  
**MIDI ALUMINIUM FABRICATOR LTD.**  
 Units 6-8, Sunray Industrial Centre, 1/F  
 610 Cha Kwo Ling Road, Kowloon  
 Tel: 23489211-4 Fax: (852) 27727666

DWG NO. : JB37-CW-3302      REV. : A

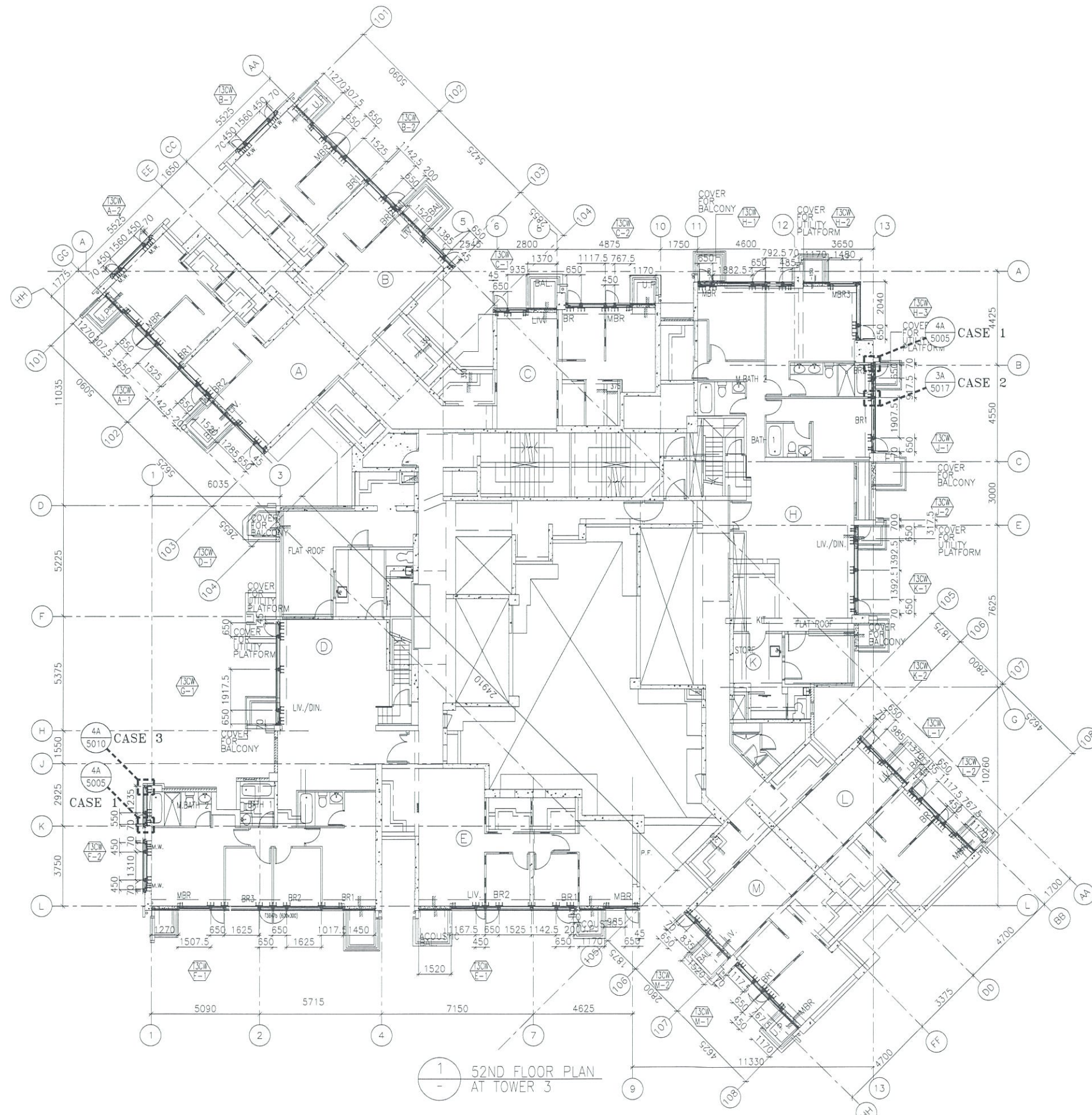
B.D. REF :  
 CLIENT : 信和置業有限公司  
 Sino Land Company Limited

ARCHITECT : WONG TUNG & PARTNERS LIMITED  
 ARCHITECTS & PLANNERS

MAIN CONTRACTOR : CR Construction Company Limited

STRUCTURAL ENGINEER : AECOM

FACADE CONSULTANT : AECOM



1  
-  
52ND FLOOR PLAN  
AT TOWER 3

B.D. REF :

CLIENT :  
信和置業有限公司  
Sino Land Company Limited

ARCHITECT :  
WONG TUNG & PARTNERS LIMITED  
ARCHITECTS & PLANNERS

MAIN CONTRACTOR :  
CR Construction Company Limited

STRUCTURAL ENGINEER :  
AECOM

FACADE CONSULTANT:  
AECOM

NOTE :  
1. ALL DIMENSIONS ARE IN mm.  
2. ALL ELEVATIONS ARE VIEWED FROM OUTSIDE.  
3. ALL DIMENSIONS TO BE VERIFIED ON SITE BEFORE FABRICATION.

LEGEND :  
X1 — DETAIL MARK NO.  
X001 — REFER SHEET NO.  
1. F.F.L. — FINISHED FLOOR LEVEL  
2. S.F.L. — STRUCTURAL FLOOR LEVEL  
3. (R) — REVERSED DETAIL

|     |            |                 |
|-----|------------|-----------------|
| C   | 22/12/2018 | GENERAL REVISED |
| B   | 24/11/2018 | GENERAL REVISED |
| A   | 11/10/2018 | GENERAL REVISED |
| NO. | DATE       | REVISED BY      |

JOB NO. : J-837  
PROJECT :  
URA KWUN TONG TOWN CENTRE  
REDEVELOPMENT (AREA 2 & 3) AT  
NKIL 6514, KWUN TONG, KWLOON

TITLE :  
52ND FLOOR PLAN  
OF CURTAIN WALL  
AT TOWER 3

DATE : 10-SEP-18 SCALE : 1:100 (A1)  
DRAWN BY : ASING CHECKED BY : -

MIDI ALUMINIUM FABRICATOR LTD.  
Units 6-8, Sunray Industrial Centre, 1/F  
610 Cho Kwo Ling Road, Kowloon  
Tel: 23489211-4 Fax: (852) 27727666

| FLOOR NUMBERING | LEVEL (mPD) |
|-----------------|-------------|
| 52F             | +168.400    |

DWG NO. : J837-CW-3303 REV. : C

T:\Jobs\8373 Dwg & Call\Shop Drawing\3\_Curtain Wall\Submission\5th Shop Drawing 5TH SUBMISSION\Arbut Plans\20190314 - bathroom case\embed plan(GF-RF).dwg Model



CASE 1 4A 5005 CASE 3 4A 5010

T5 - TYPICAL FLOOR PLAN (LOW ZONE)  
 7/F - 26/F, 28/F - 50/F (38 STOREYS)  
 (FLOOR NOS. 13, 14, 24, 34, 44 NOT USED.)  
 FOR FLAT A & C AND LIGHT WELL BETWEEN LIFT CORES  
 22/F-26/F, 28/F - 50/F (FLOOR NOS. 24, 34, 44 NOT USED.) (25 STOREYS) (HIGH ZONE)

1 TYPICAL FLOOR PLAN AT TOWER 5

B.D. REF :

CLIENT :  
 Sino Land Company Limited

ARCHITECT :  
 WONG TUNG & PARTNERS LIMITED ARCHITECTS & PLANNERS

MAIN CONTRACTOR :  
 CR Construction Company Limited

STRUCTURAL ENGINEER :  
 AECOM

FACADE CONSULTANT:  
 AECOM

NOTE :  
 1. ALL DIMENSIONS ARE IN mm.  
 2. ALL ELEVATIONS ARE VIEWED FROM OUTSIDE.  
 3. ALL DIMENSIONS TO BE VERIFIED ON SITE BEFORE FABRICATION.

LEGEND :  
  
 1. F.F.L. --- FINISHED FLOOR LEVEL  
 2. S.F.L. --- STRUCTURAL FLOOR LEVEL  
 3. --- REVERSED DETAIL

75A  
 74P

|     |           |                 |
|-----|-----------|-----------------|
| A   | 10/9/2018 | GENERAL REVISED |
| NO. | DATE      | REVISED BY      |

JOB NO. : J-837  
 PROJECT :  
 URA KWUN TONG TOWN CENTRE REDEVELOPMENT (AREA 2 & 3) AT NKIL 6514, KWUN TONG, KWLOON

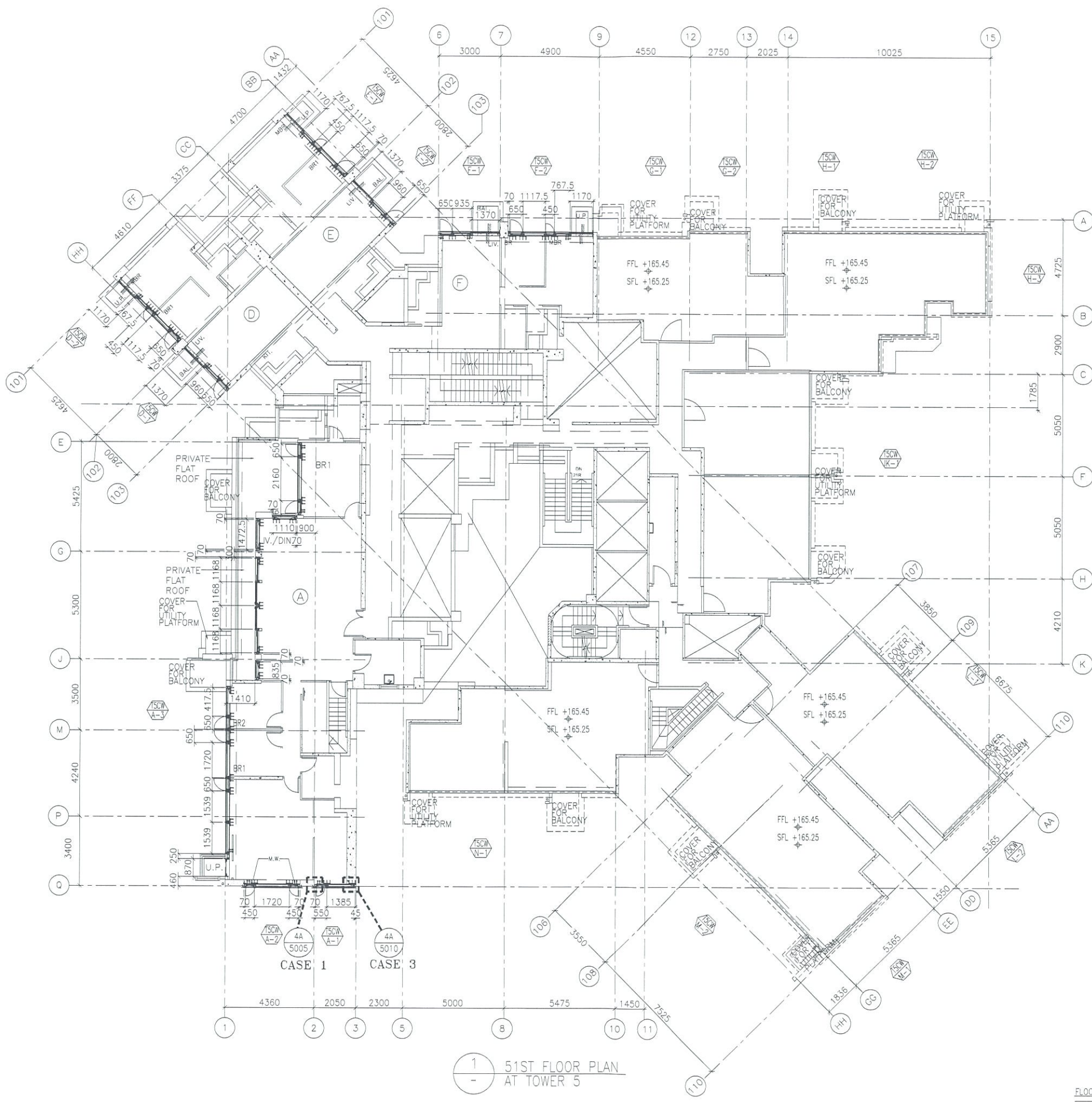
TITLE :  
 TYPICAL FLOOR PLAN (7F~21F) OF CURTAIN WALL AT TOWER 5

DATE : 04-JUL-18 SCALE : 1:100 (A1)  
 DRAWN BY : ASING CHECKED BY : -

美特鋁質有限公司  
 MIDI ALUMINIUM FABRICATOR LTD.  
 Units 6-8, Sunray Industrial Centre, 1/F  
 610 Cha Kwo Ling Road, Kowloon  
 Tel: 23489211-4 Fax: (852) 2727666

| FLOOR NUMBERING | LEVEL (mPD) |
|-----------------|-------------|
| 7F              | 42.400      |
| 8F              | 45.550      |
| 9F              | 48.700      |
| 10F             | 51.850      |
| 11F             | 55.000      |
| 12F             | 58.150      |
| 15F             | 61.300      |
| 16F             | 64.450      |
| 17F             | 67.600      |
| 18F             | 70.750      |
| 19F             | 73.900      |
| 20F             | 77.050      |
| 21F             | 80.200      |

DWG NO. : JB37-CW-3502 REV. : A



1  
- 51ST FLOOR PLAN AT TOWER 5

| FLOOR LEVEL (S.F.L.)(T3) |                   |
|--------------------------|-------------------|
| FLOOR NUMBERING          | LEVEL (mPD)       |
| 51F                      | +165.250/+165.550 |

B.D. REF :

CLIENT :  
 信和置業有限公司  
 Sino Land Company Limited

ARCHITECT :  
 WONG TUNG & PARTNERS LIMITED  
 ARCHITECTS & PLANNERS

MAIN CONTRACTOR :  
 CR Construction Company Limited

STRUCTURAL ENGINEER :  
 AECOM

FAÇADE CONSULTANT:  
 AECOM

NOTE :  
 1. ALL DIMENSIONS ARE IN mm.  
 2. ALL ELEVATIONS ARE VIEWED FROM OUTSIDE.  
 3. ALL DIMENSIONS TO BE VERIFIED ON SITE BEFORE FABRICATION.

LEGEND :  
 X1 --- DETAIL MARK NO.  
 X001 --- REFER SHEET NO.  
 1. F.F.L. --- FINISHED FLOOR LEVEL  
 2. S.F.L. --- STRUCTURAL FLOOR LEVEL  
 3. (P) --- REVERSED DETAIL

| A          | DATE    | DESCRIPTION | BY |
|------------|---------|-------------|----|
| 22/12/2018 | GENERAL | REVISED     |    |

JOB NO. : J-837  
 PROJECT :  
 URA KWUN TONG TOWN CENTRE  
 REDEVELOPMENT (AREA 2 & 3) AT  
 NKIL 6514, KWUN TONG, KWLOON

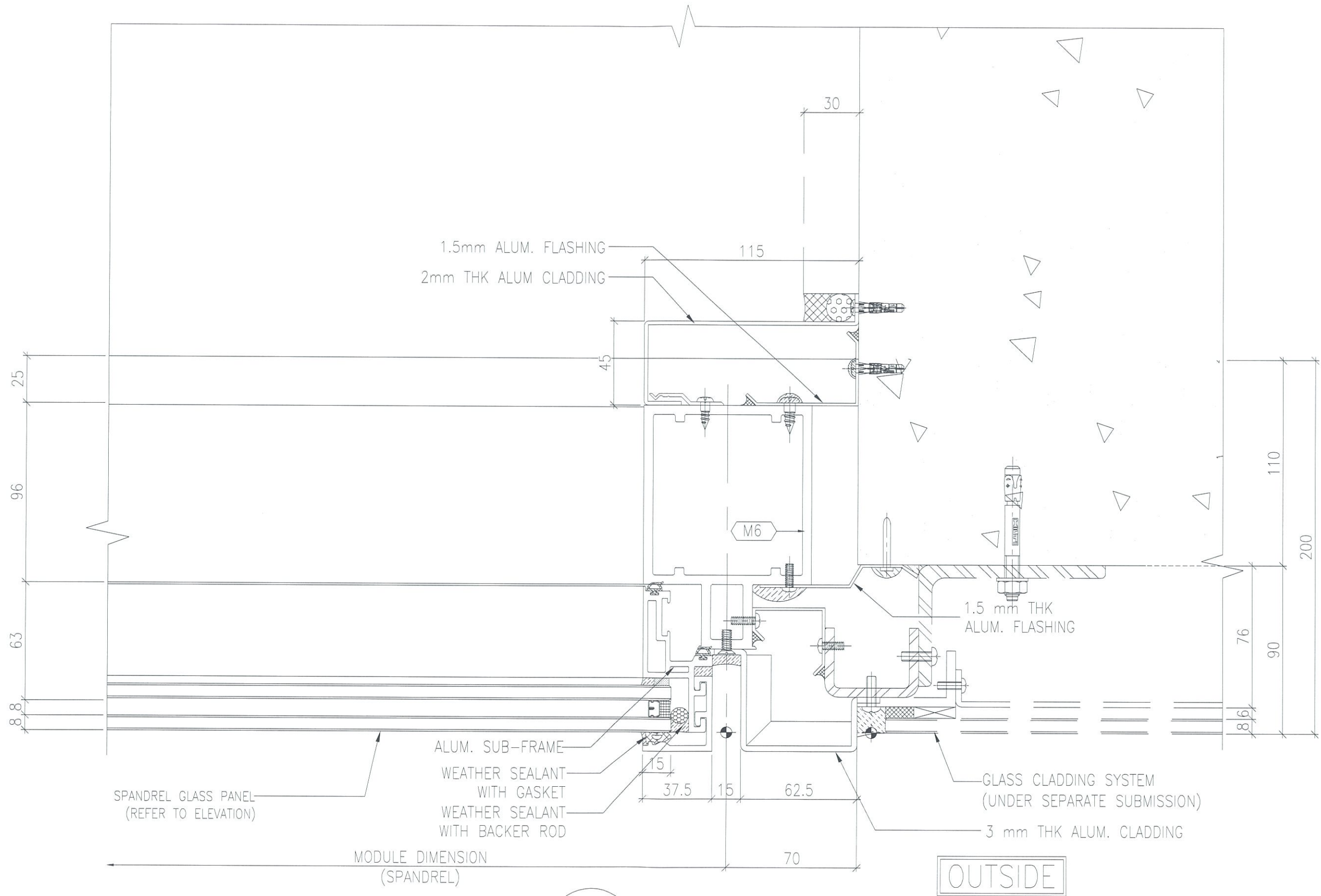
TITLE :  
 51ST FLOOR PLAN  
 OF CURTAIN WALL  
 AT TOWER 5

DATE : 10-SEP-18 SCALE : 1:100 (A1)  
 DRAWN BY : ASING CHECKED BY : -

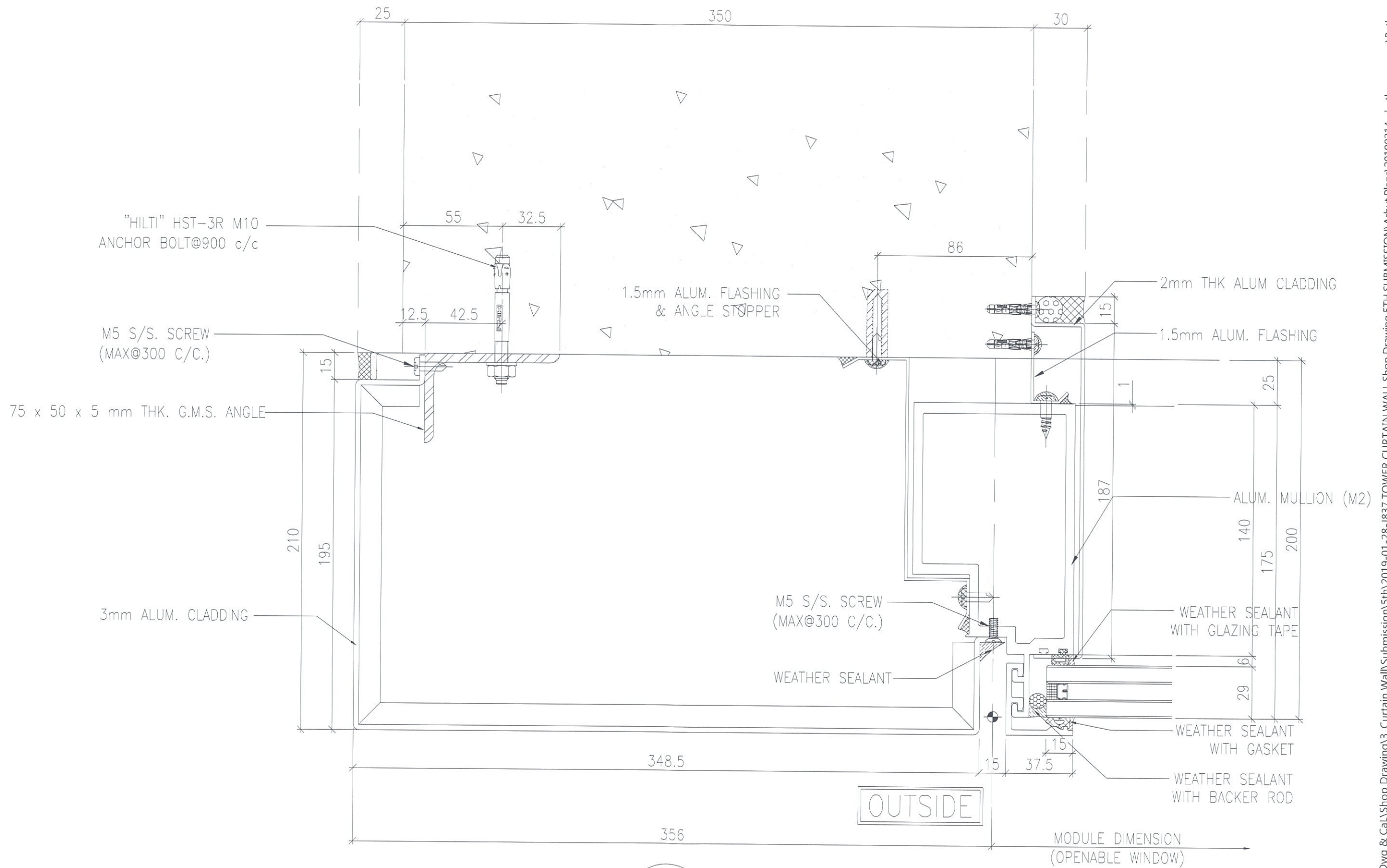
英特鋁質有限公司  
 MIDI ALUMINIUM FABRICATOR LTD.  
 Units 6-8, Sunray Industrial Centre, 1/F  
 610 Cha Kwo Ling Road, Kowloon  
 Tel: 23489211-4 Fax: (852) 27727666

DWG NO. : J837-CW-3504 REV. : A

T:\Jobs\J-837\3 Dwg & Cal\Shop Drawing\3\_Curtain Wall\Submission\5th\2019-01-28-J837 TOWER CURTAIN WALL SHOP DRAWING 5TH SUBMISSION\Arbut Plans\20190314 - bathroom case4\_embed plan(GF-RF).dwg, Model



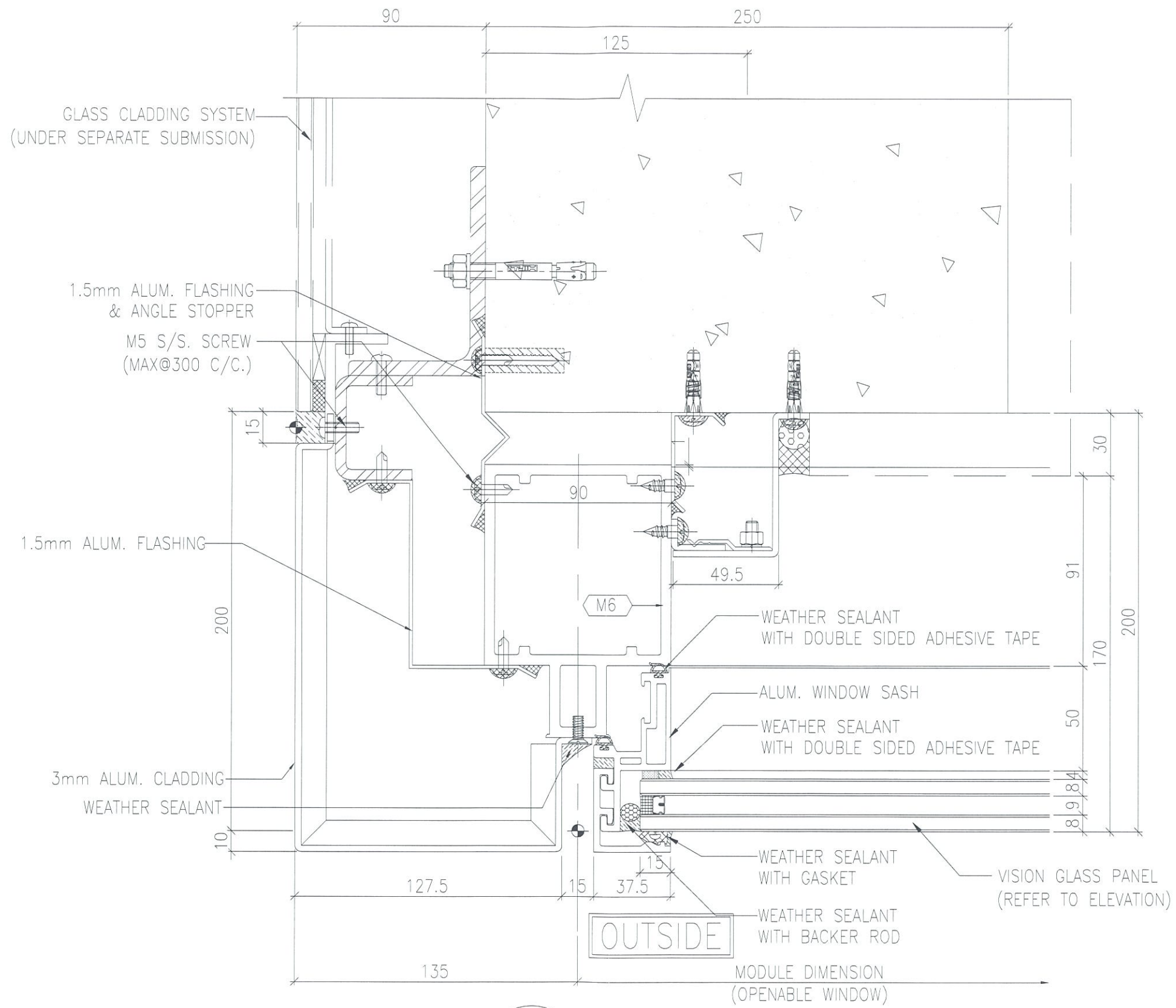
CASE 1 4A  
5005 TYPICAL MULLION DETAIL  
BATHROOM DETAIL



CASE 2

3A  
5017

TYPICAL MULLION DETAIL  
BATHROOM DETAIL (for T1A only)



CASE 3

4A  
5010

TYPICAL MULLION DETAIL  
BATHROOM DETAIL

