



工程指示 / 要求簡箋(E.I.)

工程指示編號：EI / 055 / 19

修改版次：-

工程編號：J - 837

工程名稱：觀塘裕民坊

工程項目：幕牆 浴室位防水片(3層樣板)(企+橫) (有包)

收件人：生統 / 永林

發件人：Eric Liu

日期：08/05/2019

(1) 浴室位
更改清晰圖紙

要求提供 / 確認 事項：

- | | | |
|------------------------------------|-------------------------------------|-------------------------------|
| <input type="checkbox"/> 初步鋁料 B.M. | <input type="checkbox"/> 加工拆圖，然後生產 | <input type="checkbox"/> 尺寸表 |
| <input type="checkbox"/> 正式鋁料 B.M. | <input type="checkbox"/> 技術上資料 / 指示 | <input type="checkbox"/> 報價 |
| <input type="checkbox"/> 配件 B.M. | <input type="checkbox"/> 樣辦或貨品說明書 | <input type="checkbox"/> 分判合約 |
| <input type="checkbox"/> 其他：_____ | | |

內容：

請按加工圖生產防水片及室內收口鋁板送地盤安裝 (企+橫款，3層數量 做樣板用)

1) 浴室位置，T1A,T2M,T3F,T5A 用(TYP 款)

2) 大判已出 SI217

3) 永林: 請提供正式加工圖，供大貨加工用

謝謝

(4) 各款每包 3 件，分庄包裝

請在 2019/ 5 / 17 前完成上列要求。

附：5 頁 加工圖，1 頁總表，7 頁位置圖，3 頁 DETAIL，2 頁 SI

以上項目為：

- 原合約工程包 原合約工程加 / 減賬 新工程報價

原因：-

分發東莞各部門：

- () 生產技術總監 連附件 () 技術部 連附件 () 生產部 連附件 () 機械設計部 連附件
 () 採購部 連附件 () 生產統籌部 連附件
 () 質檢部 連附件 () 會計部 連附件 () 報關組 連附件 () 其他 楊榮輝 連附件

分發其他分判：

- () 王禮秋 連附件

分發香港各部門：

- () 行政部 連附件 () 會計部 連附件 () 統籌部 連附件 () 工程部地盤科文 連附件
 () 採購部 連附件 () QS 部 連附件 () 維修部 連附件 () 其他 _____ 連附件

傳遞編號：

HK 1074 / 19

發件人簽署：

項目經理簽署：

正身

CASE 1 - OPTION 2

A款

(做白噴)

顏色 = VCT 803649 FxL-3

1.5mm 鋁板

B款

顏色 = M11

1.5mm 鋁板

L = 2440mm

(12件)

(12件)

L = 2440mm

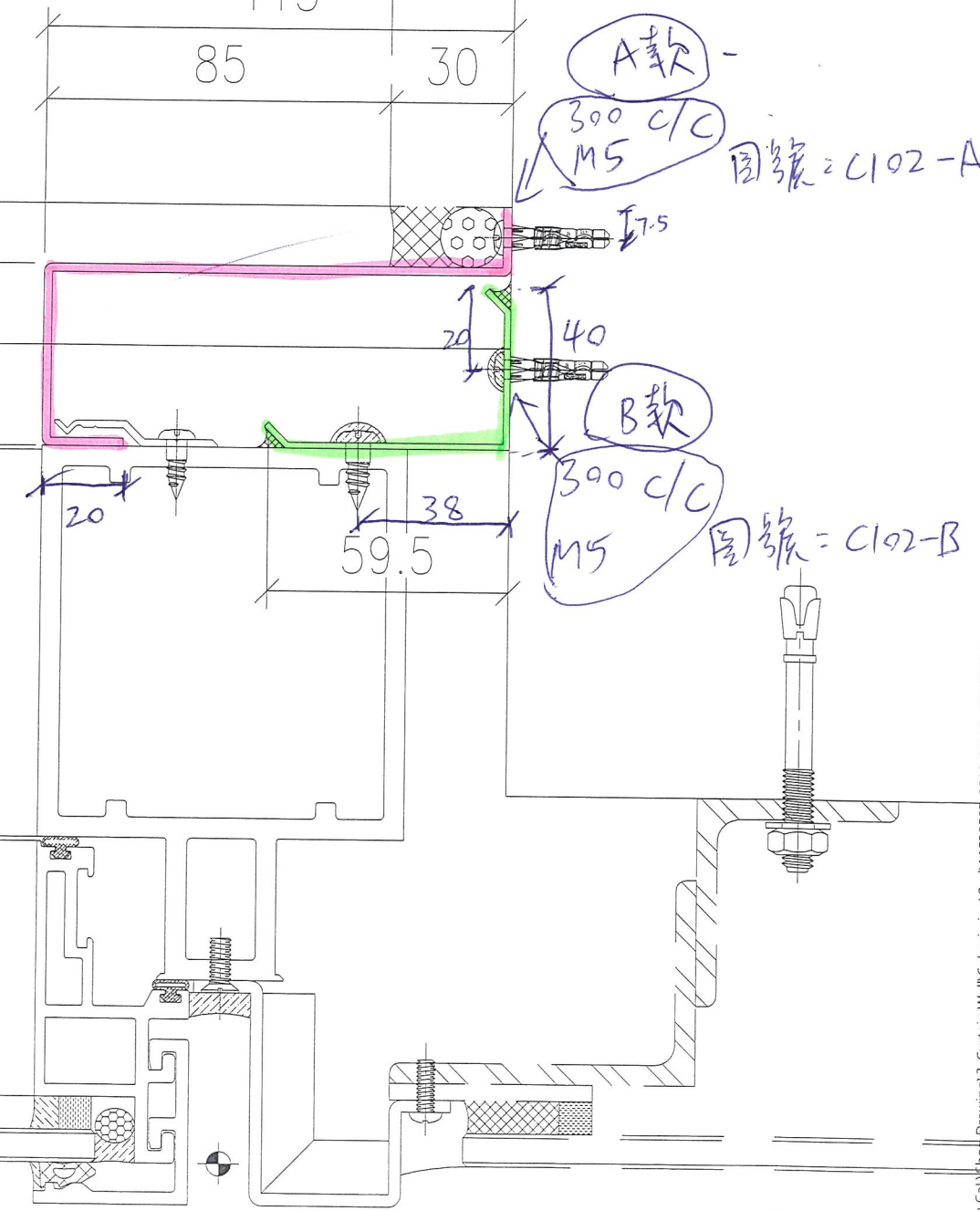
115

85

30

45
15

25
20



A款

300 C/C
M5

圖號 = C102-A

B款

300 C/C
M5

圖號 = C102-B

(1)

金具

T1A

CASE 2-OPTION 3

(廠自量)
額包 = UCT 803649TXL-3
1.5mm 鋁板
L = 2440mm

圖號 = C203-A

A款

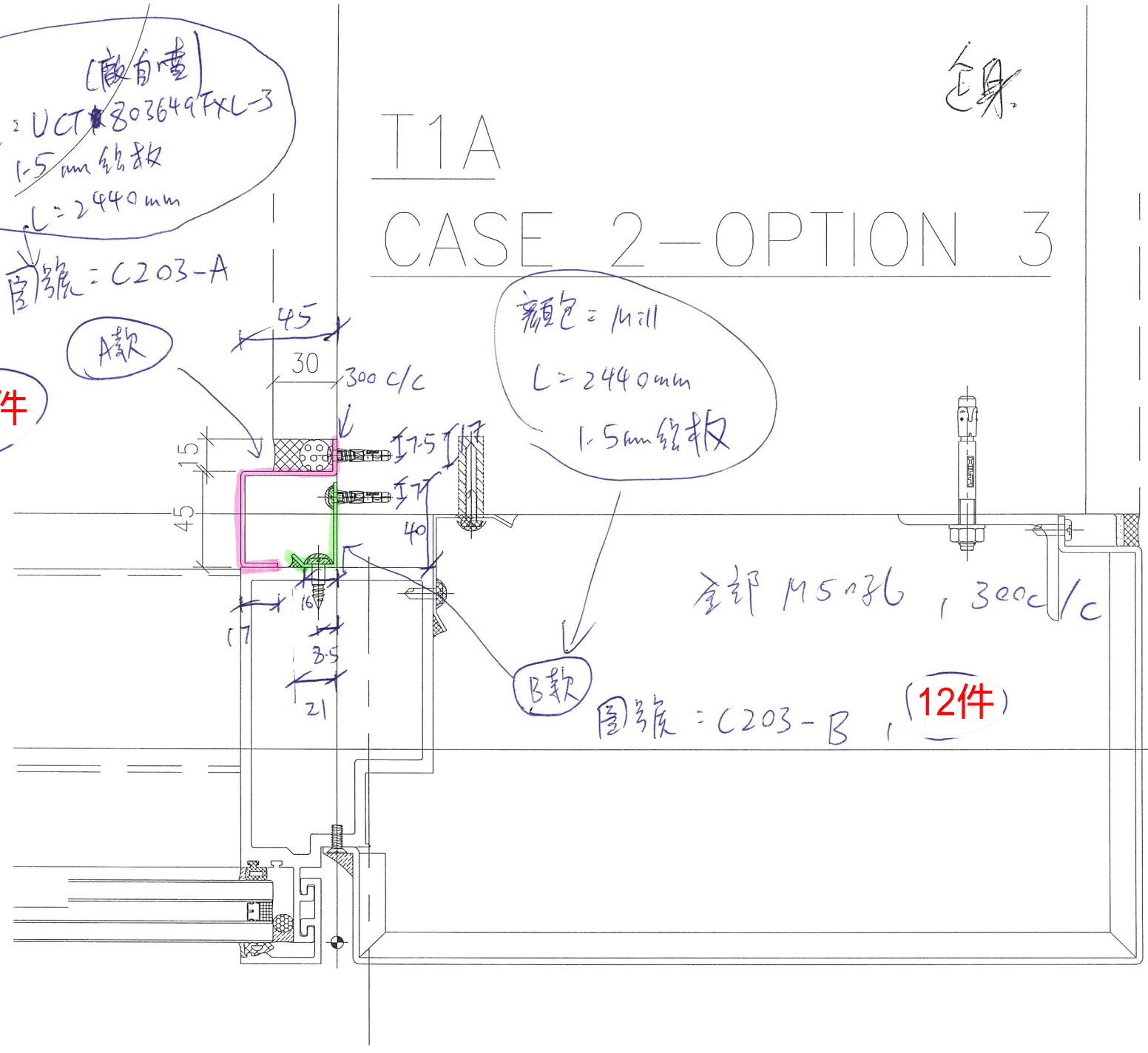
12件

額包 = Mill
L = 2440mm
1.5mm 鋁板

B款

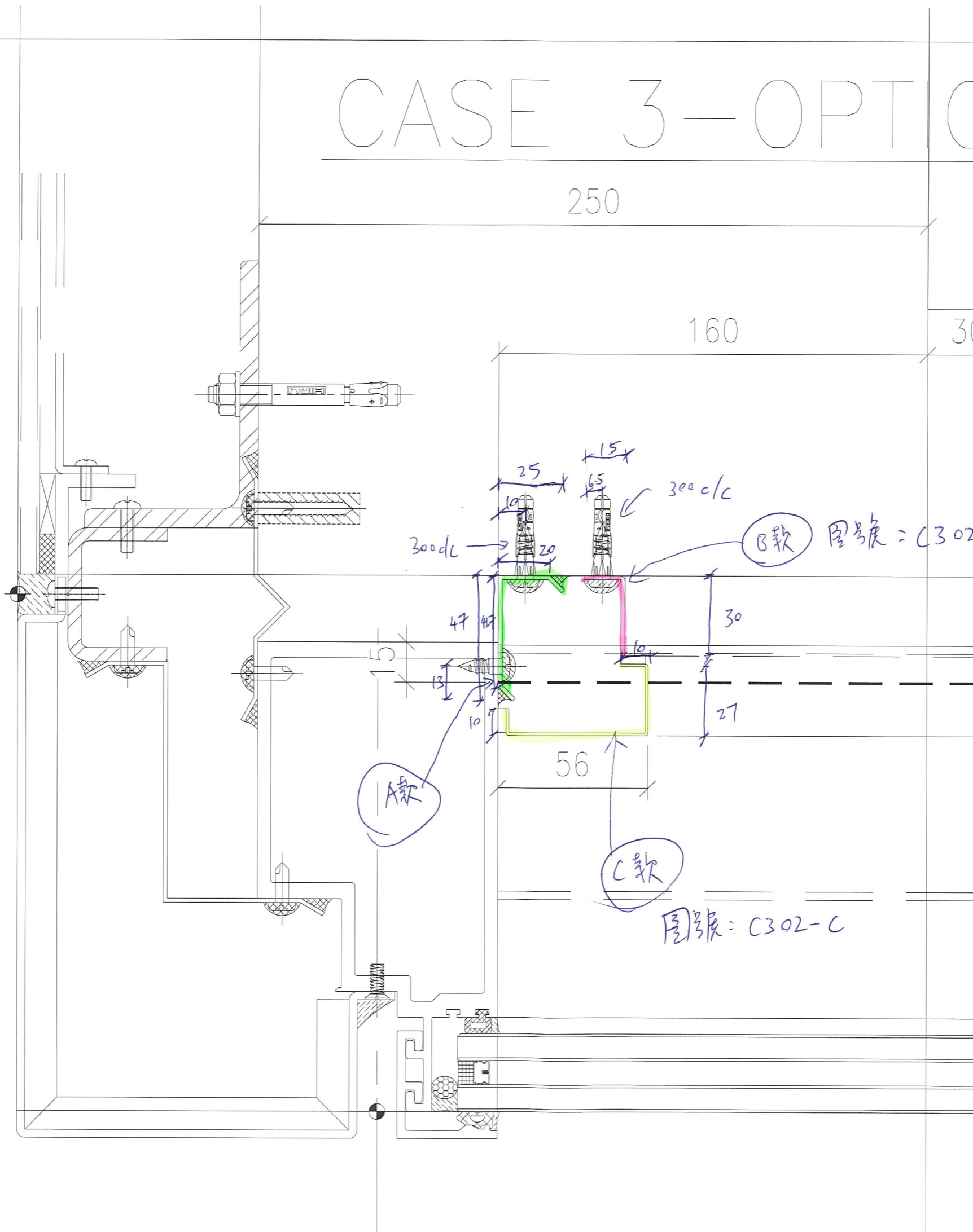
圖號 = C203-B, 12件

全部 M5x36, 300c/c



2

CASE 3-OPTION 2



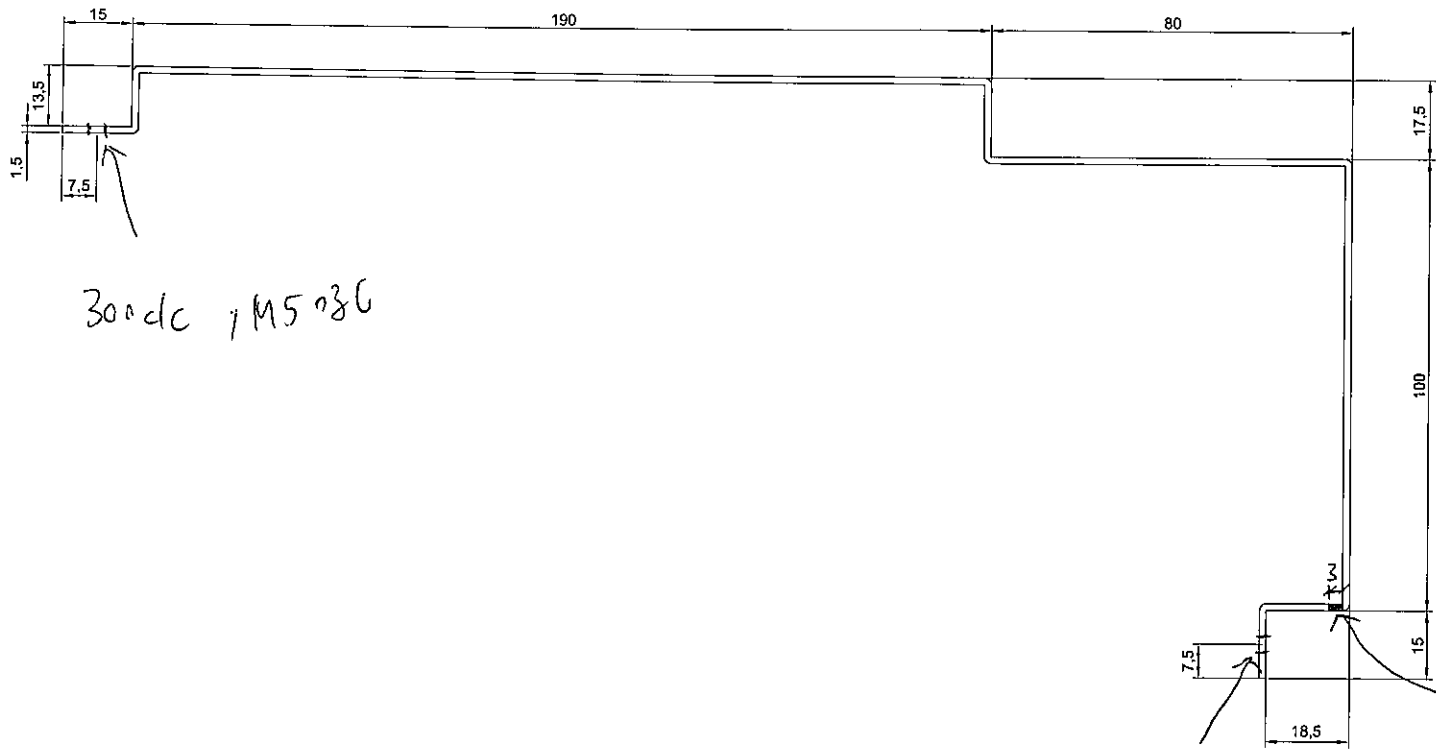
A款 = 1.5mm 鋁板 圖號 = C302-A
 顏色 = mill
 L = 2440mm (12件)

B, C款 = 1.5mm 鋁板
 顏色 = UCT 803649FXL-3
 (廠自噴)
 L = 2440mm

B款 = 12件, C款 = 12件

螺絲 全部 300 c/c,
 M5 03L

(4)



300dc, M5孔

300dc
M5孔, 打印器

滴水孔

圖號 = BNF-001

1.5mm 鋸板

L = 244mm

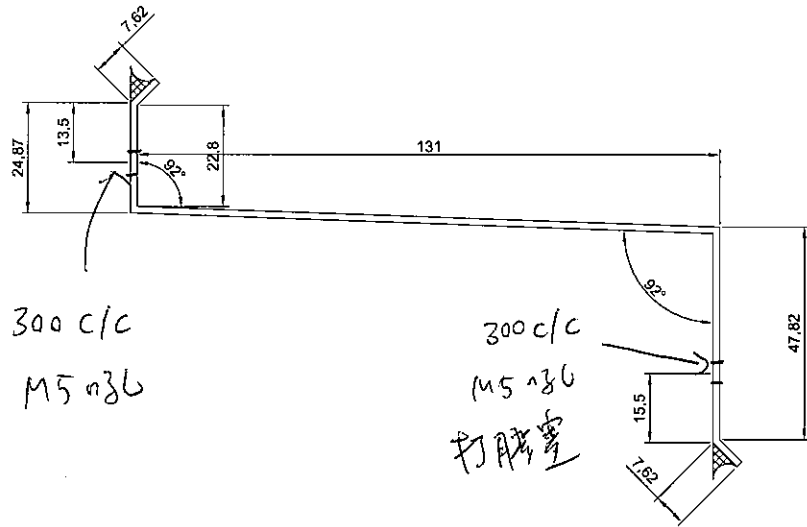
規格 = ~~ASTT~~
UCT803649 FXL-3
(廠自量)

5件

12件

E20455

HK 0877



圖號: BIVF-002

1.5mm 铝板

L=244mm

顏色 = Mill

~~5件~~ 12件

Bath room. flushing

按座包禁

TYP.

坐 ei103

橫 (ei 455 號)

T1 A

Case 1 + Case 2

ei 455

T2 M

Case 1 + Case 2

ei 455

T3 F

Case 1 + Case 3

ei 455

T5 A

Case 1 + Case 3

ei 455



1 TYPICAL FLOOR PLAN AT TOWER 1

T1 - TYPICAL FLOOR PLAN
7/F - 26/F 28/F - 49/F (37 STOREYS)
(FLOOR NOS. 13, 14, 24, 34, 44 NOT USED.)

FLOOR NUMBERING	LEVEL (mPD)
7F	42.400
8F	45.550
9F	48.700
10F	51.850
11F	55.000
12F	58.150
15F	61.300
16F	64.450
17F	67.600
18F	70.750
19F	73.900
20F	77.050
21F	80.200
22F	83.350
23F	86.500
25F	89.650
26F	92.800
28F	99.250
29F	102.250
30F	105.400
31F	108.550
32F	111.700
33F	114.850
35F	118.000
36F	121.150
37F	124.300
38F	127.450
39F	130.600
40F	133.750
41F	136.900
42F	140.050
43F	143.100
45F	146.350
46F	149.500
47F	152.650
48F	155.800
49F	158.950

T1A
TYP

- NOTE:
- ALL DIMENSIONS ARE IN mm.
 - ALL ELEVATIONS ARE VIEWED FROM OUTSIDE.
 - ALL DIMENSIONS TO BE VERIFIED ON SITE BEFORE FABRICATION.
- LEGEND:
- X1 - DETAIL MARK NO.
 - X001 - REFER SHEET NO.
- F.F.L. -- FINISHED FLOOR LEVEL
 - S.F.L. -- STRUCTURAL FLOOR LEVEL
 - (R) -- REVERSED DETAIL

B.D. REF :

CLIENT :
信和置業有限公司
Sino Land Company Limited

ARCHITECT :
WONG TUNG & PARTNERS LIMITED
ARCHITECTS & PLANNERS

MAIN CONTRACTOR :
CR Construction Company Limited

STRUCTURAL ENGINEER :
AECOM

FAÇADE CONSULTANT:
AECOM

NO.	DATE	GENERAL	REVISED	BY
A	10/9/2018	GENERAL	REVISED	

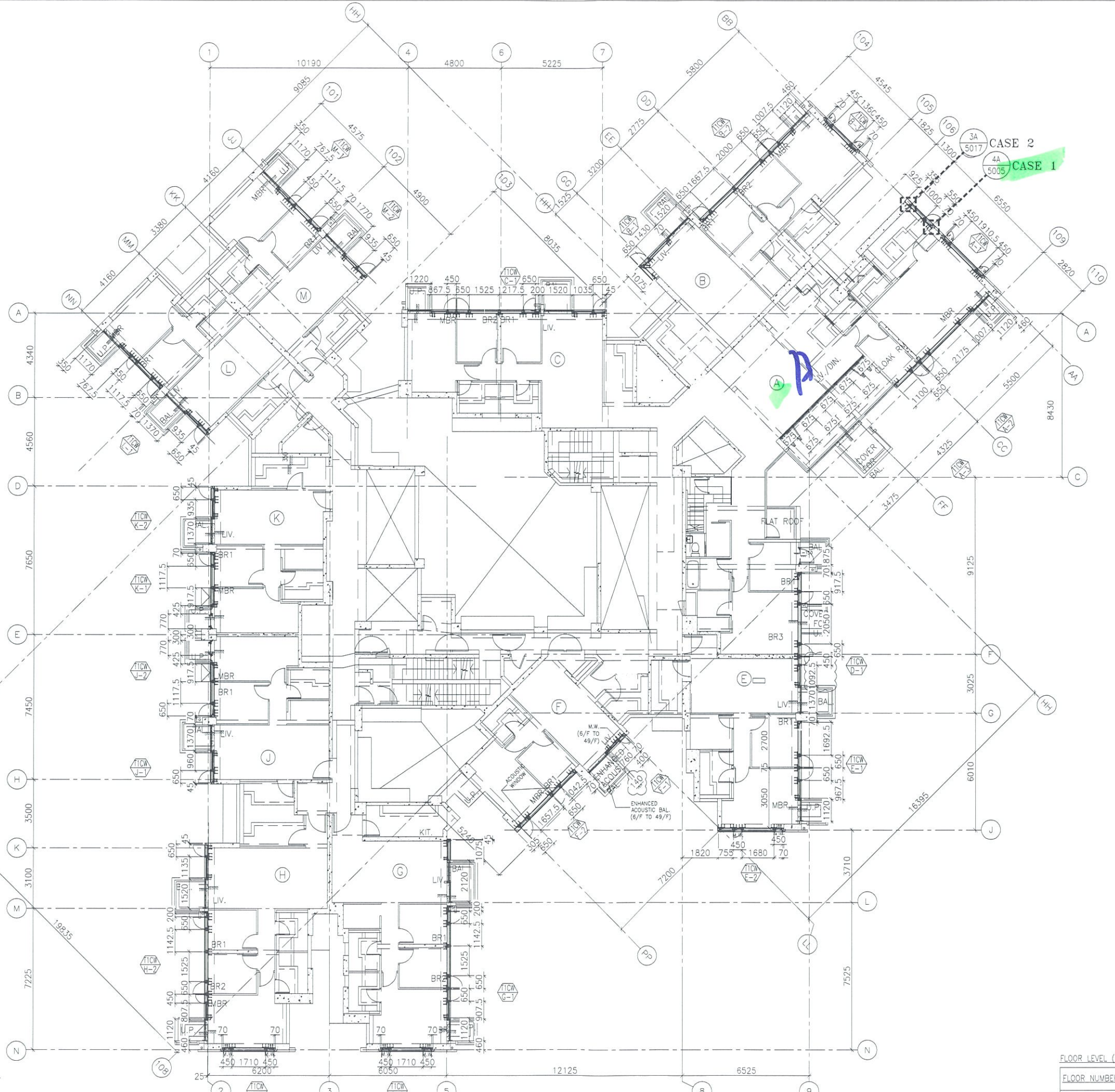
JOB NO. : J-837
PROJECT :
URA KWUN TONG TOWN CENTRE
REDEVELOPMENT (AREA 2 & 3) AT
NKIL 6514, KWUN TONG, KWLOON

TITLE :
TYPICAL FLOOR PLAN
OF CURTAIN WALL
AT TOWER 1

DATE : 04-JUL-18 SCALE : 1:100 (A1)
DRAWN BY : ASING CHECKED BY : -

MIDI ALUMINIUM FABRICATOR LTD.
Units 6-8, Sunray Industrial Centre, 1/F
610 Cha Kwo Ling Road, Kowloon
Tel: 23489211-4 Fax: (852) 2727666
DWG NO. : J837-CW-3102 REV. : A

1 50TH FLOOR PLAN AT TOWER 1



B.D. REF :

CLIENT :
 信和置業有限公司
 Sino Land Company Limited

ARCHITECT :
 WONG TUNG & PARTNERS LIMITED
 ARCHITECTS & PLANNERS

MAIN CONTRACTOR :
 CR Construction Company Limited

STRUCTURAL ENGINEER :
 AECOM

FACADE CONSULTANT:
 AECOM

NOTE :
 1. ALL DIMENSIONS ARE IN mm.
 2. ALL ELEVATIONS ARE VIEWED FROM OUTSIDE.
 3. ALL DIMENSIONS TO BE VERIFIED ON SITE BEFORE FABRICATION.

LEGEND :
 XI --- DETAIL MARK NO.
 X00 --- REFER SHEET NO.
 1. F.F.L --- FINISHED FLOOR LEVEL
 2. S.F.L --- STRUCTURAL FLOOR LEVEL
 3. (R) --- REVERSED DETAIL

NO.	DATE	REVISED	BY
G	21/02/2019	GENERAL REVISED	
F	28/01/2019	GENERAL REVISED	
E	19/01/2019	GENERAL REVISED	
D	22/12/2018	GENERAL REVISED	
C	01/12/2018	GENERAL REVISED	
B	24/11/2018	GENERAL REVISED	
A	11/10/2018	GENERAL REVISED	

JOB NO. : J-837
 PROJECT :
 URA KWUN TONG TOWN CENTRE
 REDEVELOPMENT (AREA 2 & 3) AT
 NKIL 6514, KWUN TONG, KWLOON

TITLE :
 50TH FLOOR PLAN
 OF CURTAIN WALL
 AT TOWER 1

DATE : 10-SEP-18 SCALE : 1:100 (A1)
 DRAWN BY : ASING CHECKED BY : -

英特鋁質有限公司
 MIDI ALUMINIUM FABRICATOR LTD.
 Units 6-8, Sunray Industrial Centre, 1/F
 610 Cha Kwo Ling Road, Kowloon
 Tel: 23489211-4 Fax: (852) 2727666
 DWG NO. : J837-CW-3103 REV. : G

FLOOR NUMBERING	LEVEL (mPD)
50F	+162.100

T:\Jobs\J-837\3 Dwg & Cal\Shop Drawing\3_Curtain Wall\Submission\5th\2019-01-28-J837 TOWER CURTAIN WALL Shop Drawing 5TH SUBMISSION\Arbut Plans\20190314 - bathroom case\4_embed plan\6F-RF.dwg, Model



1 TYPICAL FLOOR PLAN AT TOWER 2

T2 - TYPICAL FLOOR PLAN
7/F - 26/F 28/F - 53/F
(FLOOR NOS. 13, 14, 24, 34, 44, 54 NOT USED.)

FLOOR NUMBERING	LEVEL (mPD)
7F	42.400
8F	45.550
9F	48.700
10F	51.850
11F	55.000
12F	58.150
15F	61.300
16F	64.450
17F	67.600
18F	70.750
19F	73.900
20F	77.050
21F	80.200
22F	83.350
23F	86.500
25F	89.650
26F	92.800
28F	99.250
29F	102.250
30F	105.400
31F	108.550
32F	111.700
33F	114.850
35F	118.000
36F	121.150
37F	124.300
38F	127.450
39F	130.600
40F	133.750
41F	136.900
42F	140.050
43F	143.100
45F	146.350
46F	149.500
47F	152.650
48F	155.800
49F	158.950
50F	162.100
51F	165.250
52F	168.400
53F	171.550

FLOOR LEVEL (S.F.L.)(T2)

NOTE:
1. ALL DIMENSIONS ARE IN mm.
2. ALL ELEVATIONS ARE VIEWED FROM OUTSIDE.
3. ALL DIMENSIONS TO BE VERIFIED ON SITE BEFORE FABRICATION.

LEGEND:
 (X1) - DETAIL MARK NO.
 (X001) - REFER SHEET NO.

1. F.F.L. -- FINISHED FLOOR LEVEL
 2. S.F.L. -- STRUCTURAL FLOOR LEVEL
 3. (R) -- REVERSED

*TLM
TYP*

B.D. REF :

CLIENT :
 信和置業有限公司
 Sino Land Company Limited

ARCHITECT :
 WONG TUNG & PARTNERS LIMITED
 ARCHITECTS & PLANNERS

MAIN CONTRACTOR :
 CR Construction Company Limited

STRUCTURAL ENGINEER :
 AECOM

FACADE CONSULTANT:
 AECOM

NO.	DATE	REVISION	BY
A	10/9/2018	GENERAL REVISED	

JOB NO. : J-837

PROJECT :
 URA KWUN TONG TOWN CENTRE
 REDEVELOPMENT (AREA 2 & 3) AT
 NKIL 6514, KWUN TONG, KWLOON

TITLE :
 TYPICAL FLOOR PLAN
 OF CURTAIN WALL
 AT TOWER 2

DATE : 04-JUL-18 SCALE : 1:100 (A1)

DRAWN BY : ASING CHECKED BY : -

美特鋁質有限公司
 MIDI ALUMINIUM FABRICATOR LTD.
 Units 6-8, Sunray Industrial Centre, 1/F
 610 Che Kwo Ling Road, Kowloon
 Tel: 23489211-4 Fax: (852) 2727666

DWG NO. : J837-CW-3202 REV. : A



T3 - TYPICAL FLOOR PLAN
 7/F - 26/F 28/F - 51/F
 (FLOOR NOS. 13, 14, 24, 34, 44 NOT USED.)

FLOOR LEVEL (S.F.L.)(T3)	
FLOOR NUMBERING	LEVEL (mPD)
7F	42.400
8F	45.550
9F	48.700
10F	51.850
11F	55.000
12F	58.150
15F	61.300
16F	64.450
17F	67.600
18F	70.750
19F	73.900
20F	77.050
21F	80.200
22F	83.350
23F	86.500
25F	89.650
26F	92.800
28F	99.250
29F	102.250
30F	105.400
31F	108.550
32F	111.700
33F	114.850
35F	118.000
36F	121.150
37F	124.300
38F	127.450
39F	130.600
40F	133.750
41F	136.900
42F	140.050
43F	143.100
45F	146.350
46F	149.500
47F	152.650
48F	155.800
49F	158.950
50F	162.100
51F	165.250

NOTE :
 1. ALL DIMENSIONS ARE IN mm.
 2. ALL ELEVATIONS ARE VIEWED FROM OUTSIDE.
 3. ALL DIMENSIONS TO BE VERIFIED ON SITE BEFORE FABRICATION.

LEGEND :
 (X1) --- DETAIL MARK NO.
 (X001) --- REFER SHEET NO.
 1. F.F.L. --- FINISHED FLOOR LEVEL
 2. S.F.L. --- STRUCTURAL FLOOR LEVEL
 3. (R) --- REVERSED WALL

13F TYP

A	10/9/2018	GENERAL REVISED	BY
---	-----------	-----------------	----

JOB NO. : J-837
 PROJECT : URA KWUN TONG TOWN CENTRE REDEVELOPMENT (AREA 2 & 3) AT NKIL 6514, KWUN TONG, KWLOON

TITLE : TYPICAL FLOOR PLAN OF CURTAIN WALL AT TOWER 3

DATE : 04-JUL-18 SCALE : 1:100 (A1)
 DRAWN BY : ASING CHECKED BY : -

美特鋁質有限公司
MIDI ALUMINIUM FABRICATOR LTD.
 Units 6-8, Sunray Industrial Centre, 1/F
 610 Cha Kwo Ling Road, Kowloon
 Tel: 23489211-4 Fax: (852) 27727666

DWG NO. : JB37-CW-3302 REV. : A

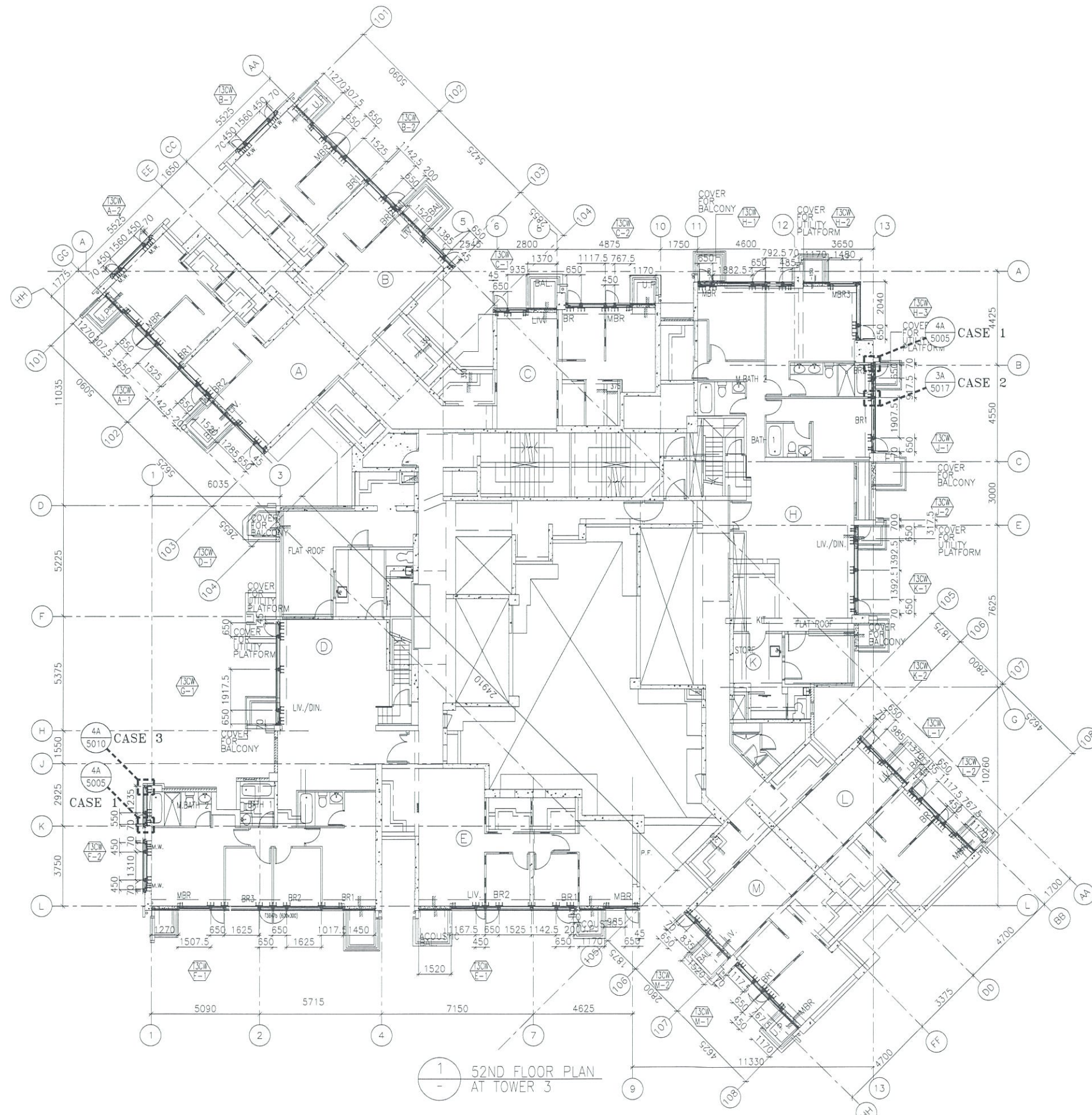
B.D. REF :
 CLIENT : 信和置業有限公司
 Sino Land Company Limited

ARCHITECT : WONG TUNG & PARTNERS LIMITED
 ARCHITECTS & PLANNERS

MAIN CONTRACTOR : CR Construction Company Limited

STRUCTURAL ENGINEER : AECOM

FACADE CONSULTANT : AECOM



1
-
52ND FLOOR PLAN
AT TOWER 3

B.D. REF :

CLIENT :
信和置業有限公司
Sino Land Company Limited

ARCHITECT :
WONG TUNG & PARTNERS LIMITED
ARCHITECTS & PLANNERS

MAIN CONTRACTOR :
CR Construction Company Limited

STRUCTURAL ENGINEER :
AECOM

FACADE CONSULTANT:
AECOM

NOTE :
1. ALL DIMENSIONS ARE IN mm.
2. ALL ELEVATIONS ARE VIEWED FROM OUTSIDE.
3. ALL DIMENSIONS TO BE VERIFIED ON SITE BEFORE FABRICATION.

LEGEND :
X1 --- DETAIL MARK NO.
X001 --- REFER SHEET NO.
1. F.F.L. --- FINISHED FLOOR LEVEL
2. S.F.L. --- STRUCTURAL FLOOR LEVEL
3. (R) --- REVERSED DETAIL

C	22/12/2018	GENERAL REVISED
B	24/11/2018	GENERAL REVISED
A	11/10/2018	GENERAL REVISED
NO.	DATE	REVISED
		BY

JOB NO. : J-837
PROJECT :
URA KWUN TONG TOWN CENTRE
REDEVELOPMENT (AREA 2 & 3) AT
NKIL 6514, KWUN TONG, KWLOON

TITLE :
52ND FLOOR PLAN
OF CURTAIN WALL
AT TOWER 3

DATE : 10-SEP-18 SCALE : 1:100 (A1)
DRAWN BY : ASING CHECKED BY : -

美特鋁質有限公司
MIDI ALUMINIUM FABRICATOR LTD.
Units 6-8, Sunray Industrial Centre, 1/F
610 Cho Kwo Ling Road, Kowloon
Tel: 23489211-4 Fax: (852) 27727666

FLOOR LEVEL (S.F.L.) (T3)	
FLOOR NUMBERING	LEVEL (mPD)
52F	+168.400

DWG NO. : J837-CW-3303 REV. : C

T:\Jobs\J-837\3 Dwg & Call\Shop Drawing\3_Curtain Wall\Submission\5th Shop Drawing 5TH SUBMISSION\Arbut Plans\20190314 - bathroom case\embed plan(GF-RF).dwg Model



1 TYPICAL FLOOR PLAN AT TOWER 5

T5 - TYPICAL FLOOR PLAN (LOW ZONE)
 7/F - 26/F, 28/F - 50/F (38 STOREYS)
 (FLOOR NOS. 13, 14, 24, 34, 44 NOT USED.)
 FOR FLAT A & C AND LIGHT WELL BETWEEN LIFT CORES
 22/F-26/F, 28/F - 50/F (FLOOR NOS. 24, 34, 44 NOT USED.) (25 STOREYS) (HIGH ZONE)

B.D. REF :

CLIENT :
 Sino Land Company Limited

ARCHITECT :
 WONG TUNG & PARTNERS LIMITED ARCHITECTS & PLANNERS

MAIN CONTRACTOR :
 CR Construction Company Limited

STRUCTURAL ENGINEER :
 AECOM

FACADE CONSULTANT:
 AECOM

NOTE :
 1. ALL DIMENSIONS ARE IN mm.
 2. ALL ELEVATIONS ARE VIEWED FROM OUTSIDE.
 3. ALL DIMENSIONS TO BE VERIFIED ON SITE BEFORE FABRICATION.

LEGEND :
 - DETAIL MARK NO.
 - REFER SHEET NO.
 1. F.F.L. --- FINISHED FLOOR LEVEL
 2. S.F.L. --- STRUCTURAL FLOOR LEVEL
 3. --- REVERS DETAIL

75A
 74P

A	10/9/2018	GENERAL REVISED
NO.	DATE	REVISED BY

JOB NO. : J-837
 PROJECT :
 URA KWUN TONG TOWN CENTRE REDEVELOPMENT (AREA 2 & 3) AT NKIL 6514, KWUN TONG, KWLOON

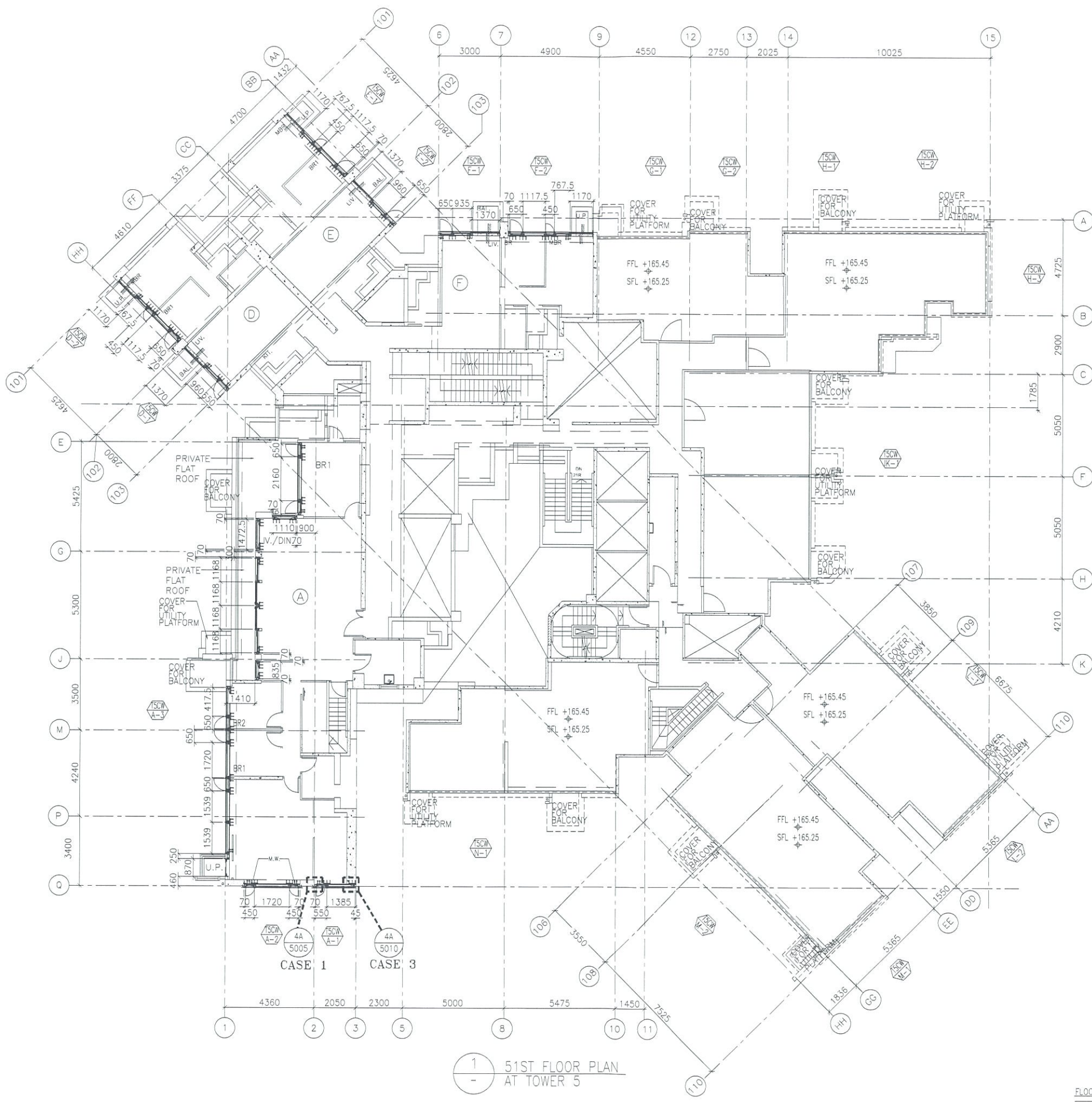
TITLE :
 TYPICAL FLOOR PLAN (7F~21F) OF CURTAIN WALL AT TOWER 5

DATE : 04-JUL-18 SCALE : 1:100 (A1)
 DRAWN BY : ASING CHECKED BY : -

美特鋁質有限公司
 MIDI ALUMINIUM FABRICATOR LTD.
 Units 6-8, Sunray Industrial Centre, 1/F
 610 Cha Kwo Ling Road, Kowloon
 Tel: 23489211-4 Fax: (852) 2727666

DWG NO. : JB37-CW-3502 REV. : A

FLOOR NUMBERING	LEVEL (mPD)
7F	42.400
8F	45.550
9F	48.700
10F	51.850
11F	55.000
12F	58.150
15F	61.300
16F	64.450
17F	67.600
18F	70.750
19F	73.900
20F	77.050
21F	80.200



1
-
51ST FLOOR PLAN
AT TOWER 5

FLOOR LEVEL (S.F.L.)(T3)	
FLOOR NUMBERING	LEVEL (mPD)
51F	+165.250/+165.550

B.D. REF :

CLIENT :
 信和置業有限公司
 Sino Land Company Limited

ARCHITECT :
 WONG TUNG & PARTNERS LIMITED
 ARCHITECTS & PLANNERS

MAIN CONTRACTOR :
 CR Construction Company Limited

STRUCTURAL ENGINEER :
 AECOM

FAÇADE CONSULTANT:
 AECOM

NOTE :
 1. ALL DIMENSIONS ARE IN mm.
 2. ALL ELEVATIONS ARE VIEWED FROM OUTSIDE.
 3. ALL DIMENSIONS TO BE VERIFIED ON SITE BEFORE FABRICATION.

LEGEND :
 X1 --- DETAIL MARK NO.
 X001 --- REFER SHEET NO.
 1. F.F.L. --- FINISHED FLOOR LEVEL
 2. S.F.L. --- STRUCTURAL FLOOR LEVEL
 3. (P) --- REVERSED DETAIL

A	DATE	DESCRIPTION	BY
22/12/2018	GENERAL	REVISED	

JOB NO. : J-837
 PROJECT :
 URA KWUN TONG TOWN CENTRE
 REDEVELOPMENT (AREA 2 & 3) AT
 NKIL 6514, KWUN TONG, KWLOON

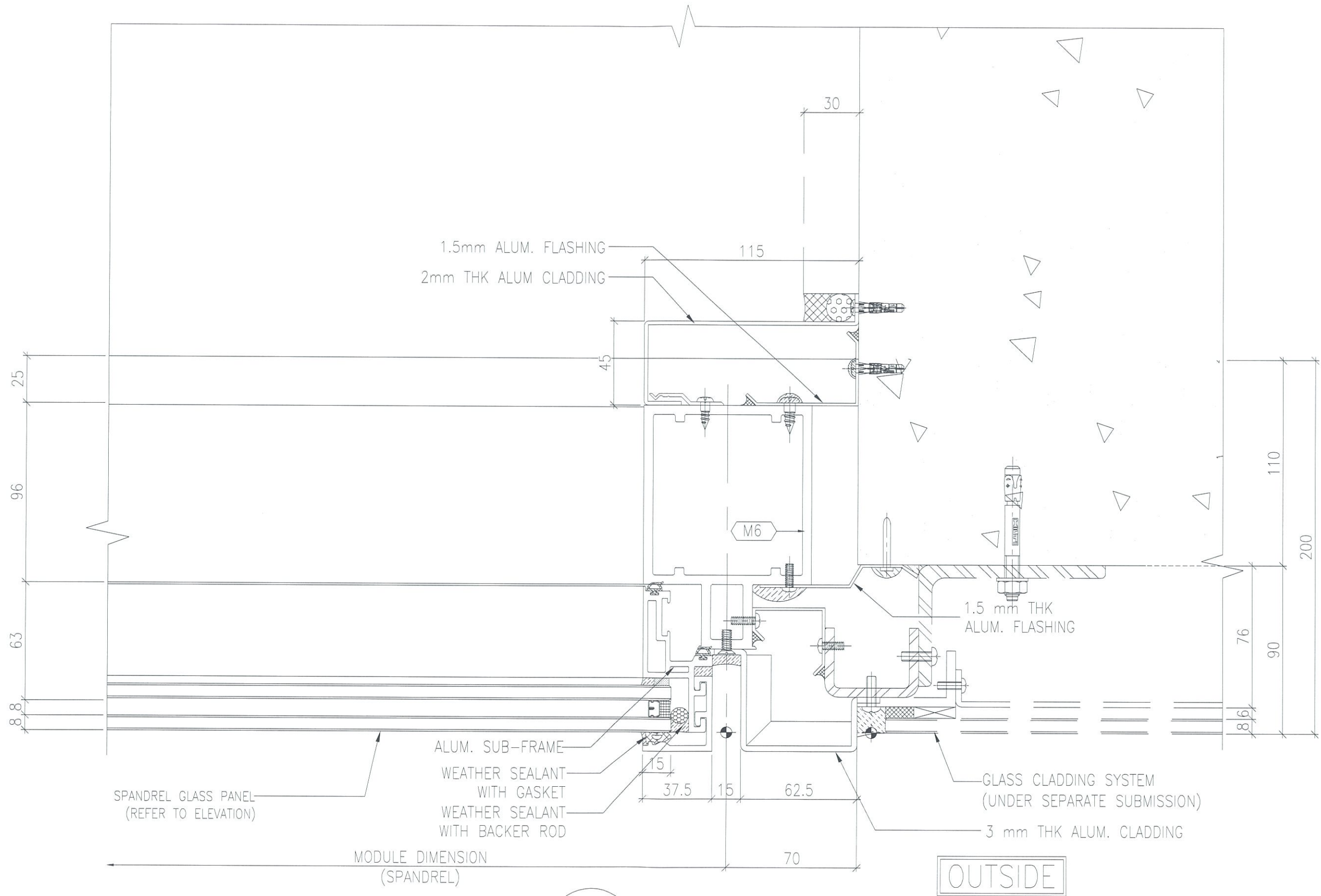
TITLE :
 51ST FLOOR PLAN
 OF CURTAIN WALL
 AT TOWER 5

DATE : 10-SEP-18 SCALE : 1:100 (A1)
 DRAWN BY : ASING CHECKED BY : -

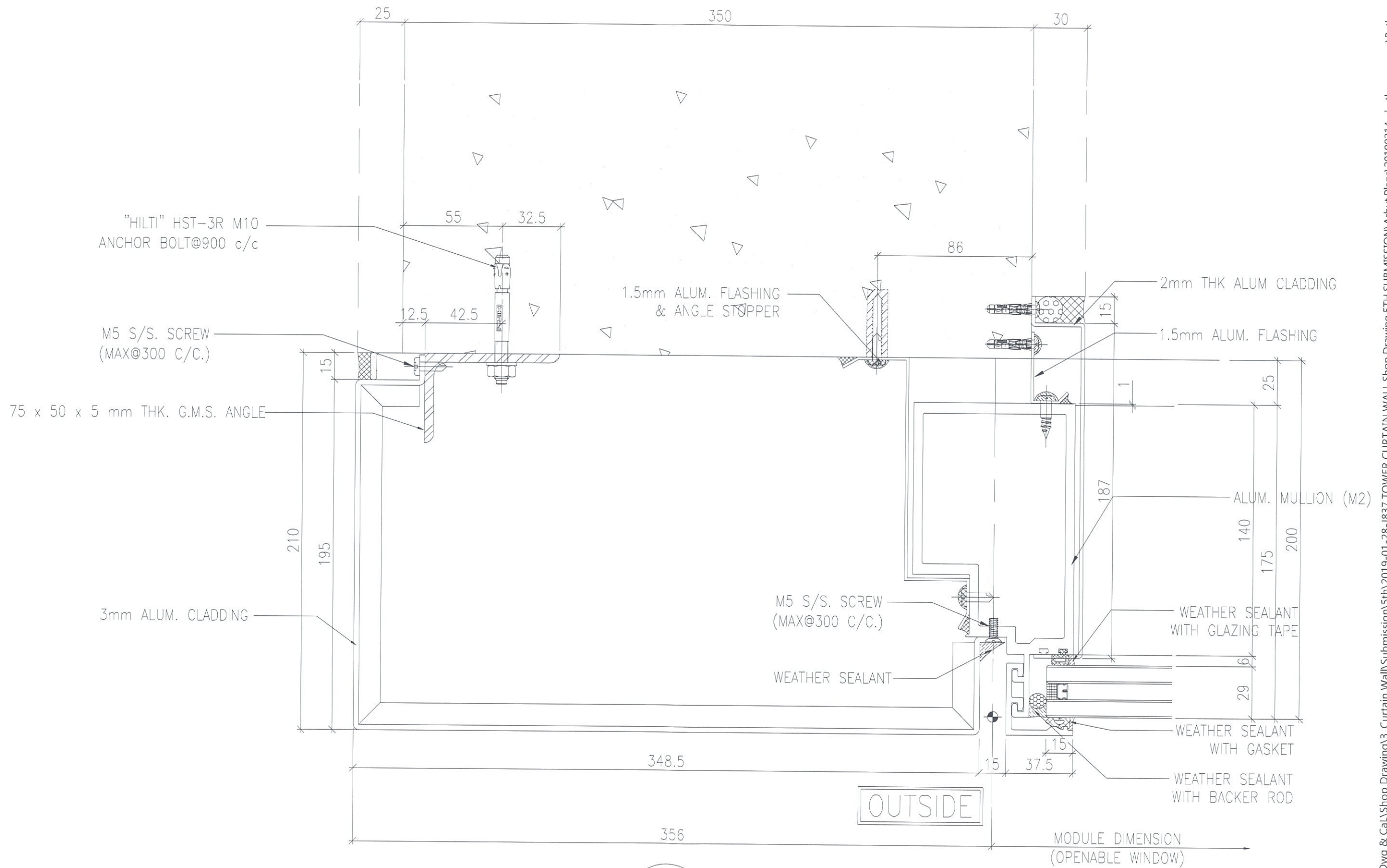
美特鋁質有限公司
 MIDI ALUMINIUM FABRICATOR LTD.
 Units 6-8, Sunray Industrial Centre, 1/F
 610 Cha Kwo Ling Road, Kowloon
 Tel: 23489211-4 Fax: (852) 27727666

DWG NO. : J837-CW-3504 REV. : A

T:\Jobs\J-837\3 Dwg & Ca\Shop Drawing\3_Curtain Wall\Submission\5th\2019-01-28-J837 TOWER CURTAIN WALL SHOP DRAWING 5TH SUBMISSION\Arbut Plans\20190314 - bathroom case4_embed plan(GF-RF).dwg, Model



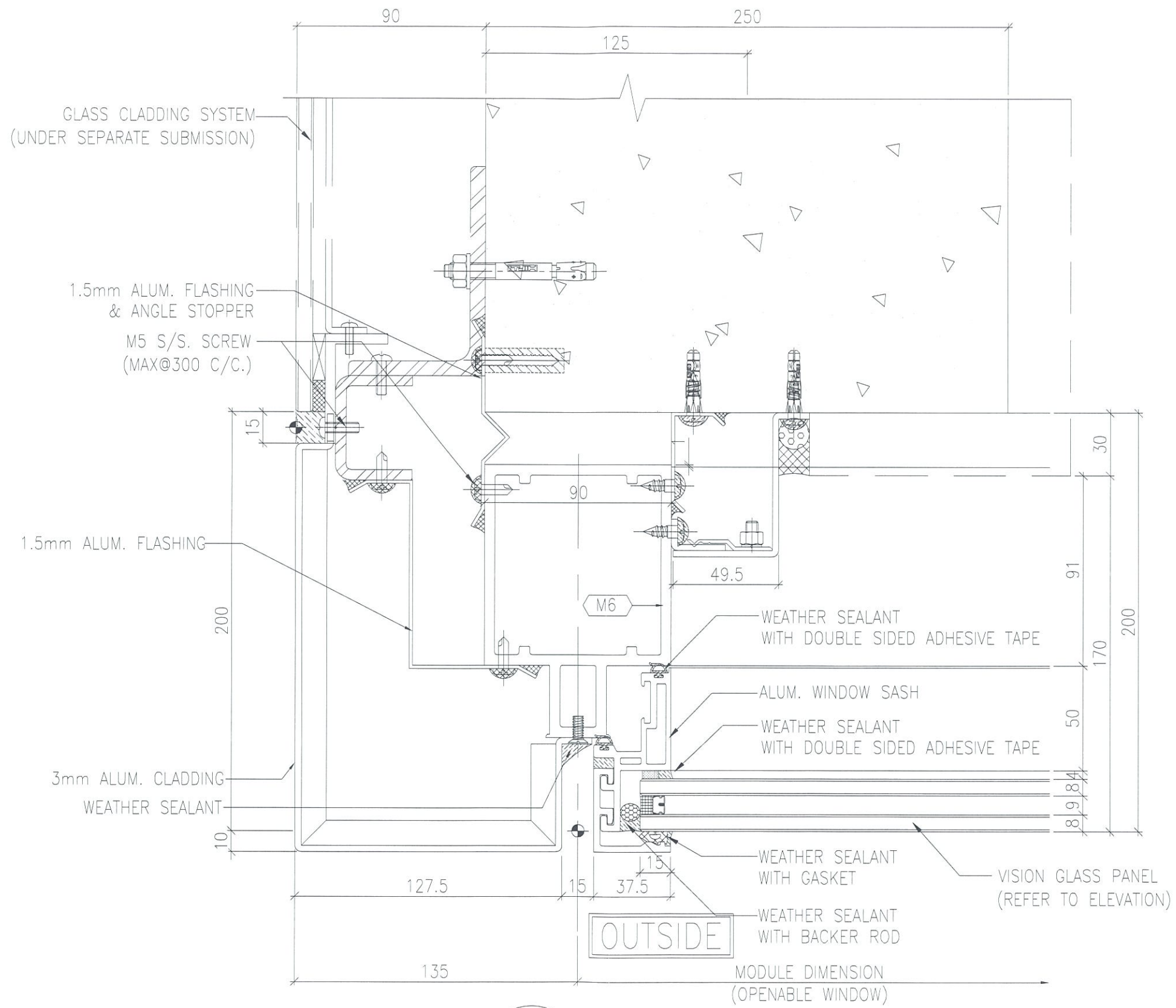
CASE 1 4A
5005 TYPICAL MULLION DETAIL
BATHROOM DETAIL



CASE 2

3A
5017

TYPICAL MULLION DETAIL
BATHROOM DETAIL (for T1A only)



CASE 3

4A
5010

TYPICAL MULLION DETAIL
BATHROOM DETAIL

