

工程指示 / 要求簡箋(E.I.)

工程指示編號：EI / 0538 / 19 修改版次：
 工程編號：J - 837 工程名稱：觀塘裕民坊
 工程項目：後裝窗大圖 特式層
 收件人：生統 / 永林 發件人：Bessie Lau 日期：06/05/2019

要求提供 / 確認 事項：

- () 初步鋁料 B.M. () 加工拆圖，然後生產 () 尺寸表
 () 正式鋁料 B.M. () 技術上資料 / 指示 () 報價
 () 配件 B.M. () 樣辦或貨品說明書 () 分判合約
 () 其他：_____

內容：

現附上更新之大圖，煩請按此提供鋁料 BM，暫不用提供拆圖，謝謝!



按 wong121

附 cad 檔: CAD-IN SITU SPECIAL UNIT-WONG121

請在 7/5/19 前完成上列要求。

附有關圖紙 / 文件：

原B2P626已登記至了版本，
無法再登記。

以上項目為：

- 原合約工程包 原合約工程加 / 減賬 新工程報價

原因：-

分發東莞各部門：

- () 生產技術總監 連附件 () 技術部 連附件 () 生產部 連附件 () 機械設計部 連附件
 () 採購部 連附件 () 生產統籌部 連附件
 () 質檢部 連附件 () 會計部 連附件 () 報關組 連附件 () 其他 _____ 連附件

分發香港各部門：

- () 行政部 連附件 () 會計部 連附件 () 統籌部 連附件 () 工程部地盤科文 連附件
 () 採購部 連附件 () QS 部 連附件 () 維修部 連附件 () 其他 _____ 連附件

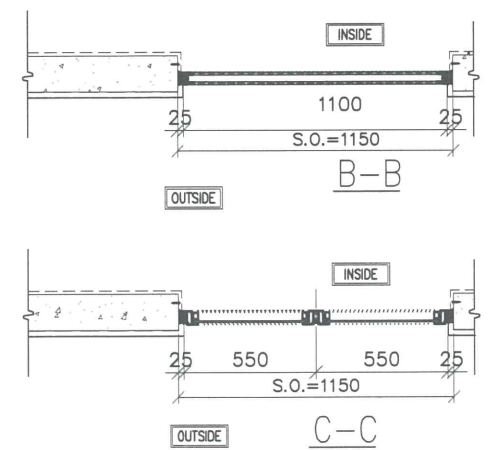
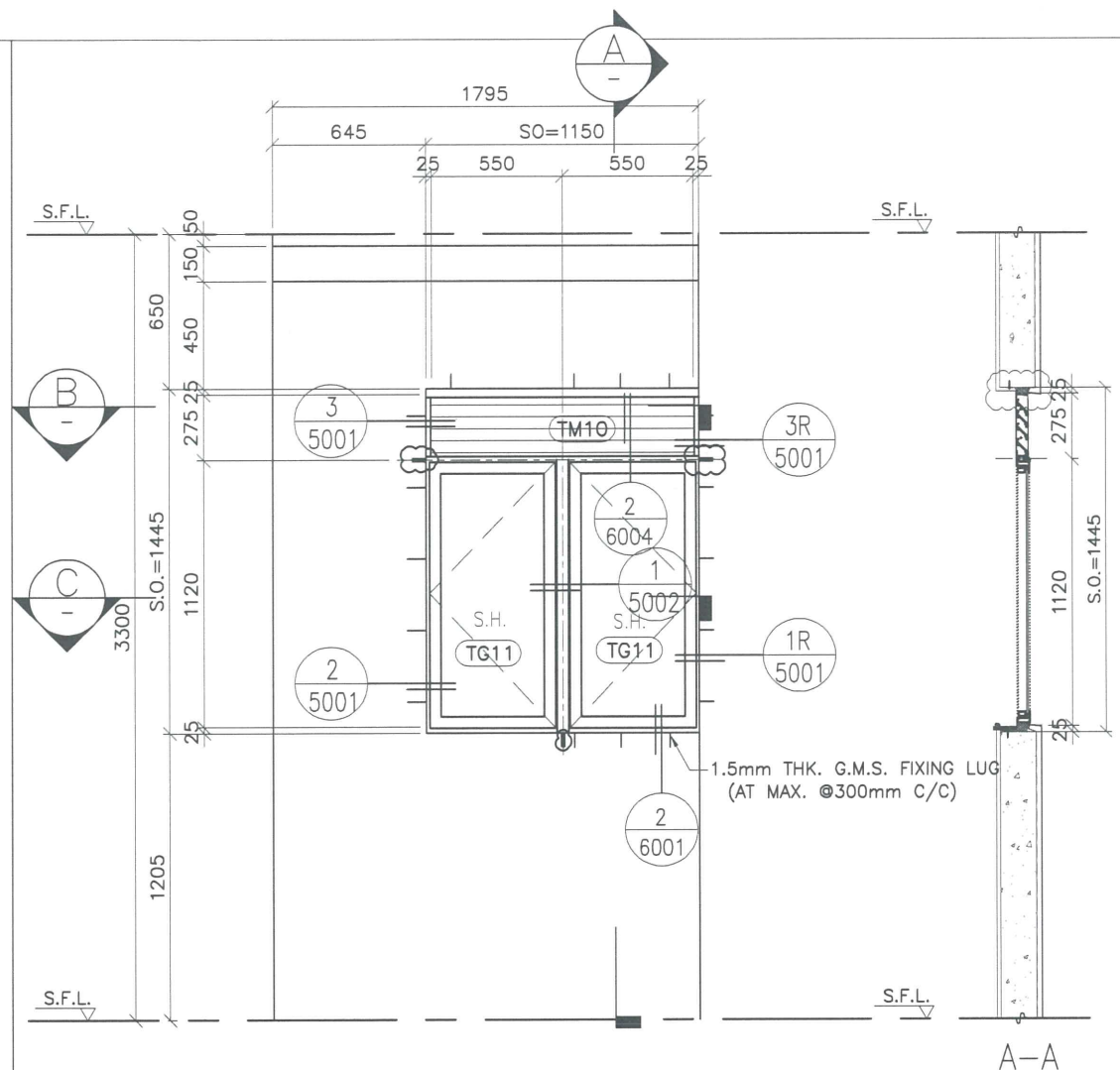
傳遞編號：

發件人簽署：

項目經理簽署：

Handwritten signatures and dates: 7/5/19, Bessie Lau, and Project Manager signature.

ELEVATION



GLAZING AREA	Required = 0.77
	Provided = 0.98
OPENABLE AREA	Required = 0.481
	Provided = 1.03

WINDOW MARK
T1W
50A-KIT

SECTION : 50mm ALUM. SECTION
 QTY. 1 NOS.
 LOCATION : T1 50F FLAT A KITCHEN
 GLAZING 8mm THK CLEAR TEMPERED GLASS
 REMARK :

B.D. REF :

CLIENT : 信和置業有限公司
Sino Land Company Limited

ARCHITECT : WONG TUNG & PARTNERS LIMITED
ARCHITECTS & PLANNERS
WT

MAIN CONTRACTOR : CR Construction Company Limited

STRUCTURAL ENGINEER : AECOM

FACADE CONSULTANT:

NOTE :

- ALL DIMENSIONS ARE IN mm.
- ALL ELEVATIONS ARE VIEWED FROM OUTSIDE.
- ALL DIMENSIONS TO BE VERIFIED ON SITE BEFORE FABRICATION.

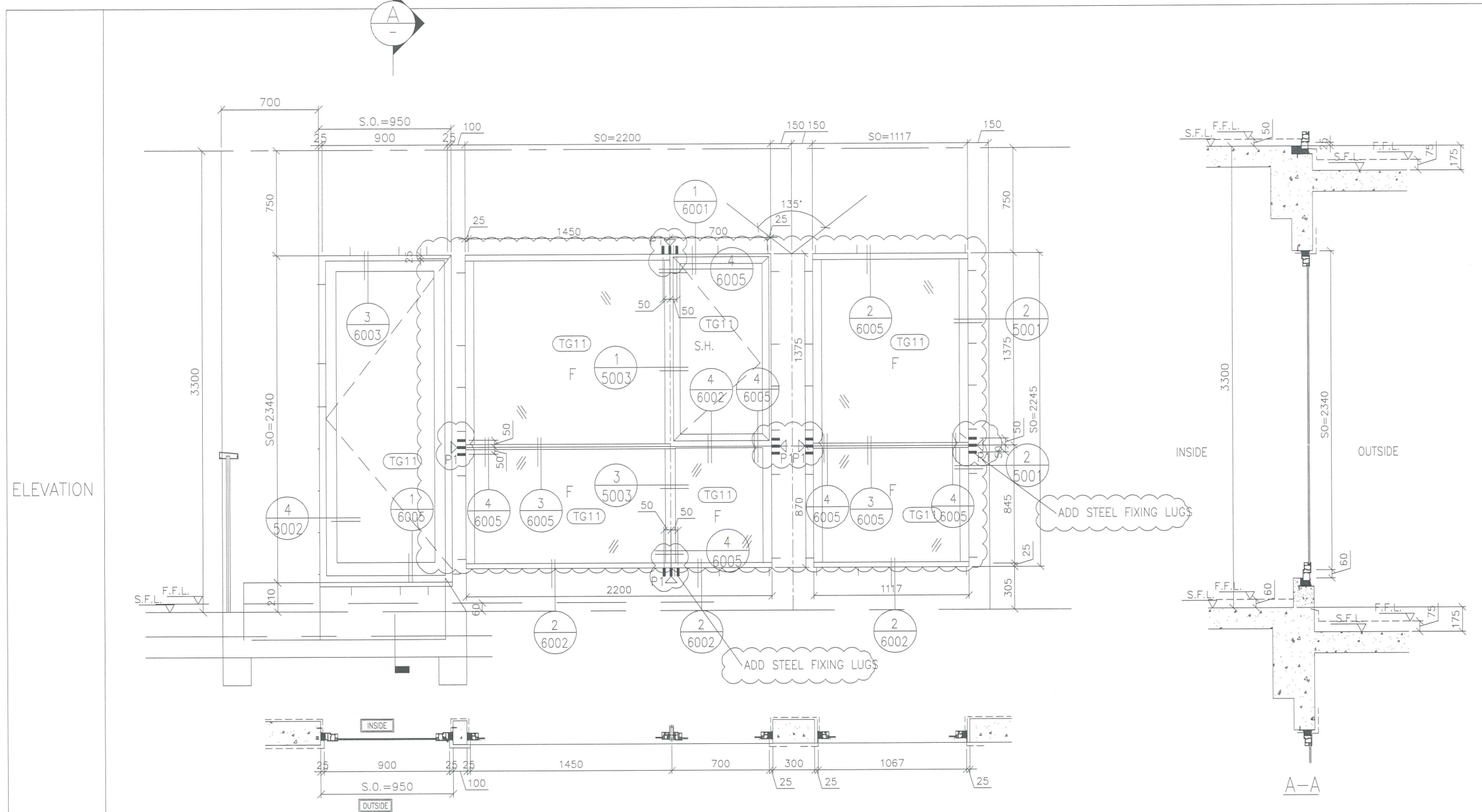
LEGEND :

X1 — DETAIL MARK NO.
 X001 — REFER SHEET NO.

- F.F.L. — FINISHED FLOOR LEVEL
- S.F.L. — STRUCTURAL FLOOR LEVEL
- ⊗ — REVERSED DETAIL

NO.	DATE	REVISED	BY
JOB NO. : J-837			
PROJECT : URA KWUN TONG TOWN CENTRE REDEVELOPMENT (AREA 2 & 3) AT NKIL 6514, KWUN TONG, KOWLOON			
TITLE : ALUM. WINDOW SCHEDULE (FOR T1)			
DATE : 09-JUL-18		SCALE : 1:30	
DRAWN BY : Zeng		CHECKED BY : DW	
MIDI ALUMINIUM FABRICATOR LTD. Units 6-8, Sunray Industrial Centre, 1/F 610 Cha Kwo Ling Road, Kowloon Tel:23489211-4 Fax:(852)27727666			
DWG NO. : JB37-IW-210B			REV. : -

13/3/19



B.D. REF :

CLIENT :
 信和置業有限公司
 Sino Land Company Limited

ARCHITECT :
 WONG TUNG & PARTNERS LIMITED
 ARCHITECTS & PLANNERS

MAIN CONTRACTOR :
 CR Construction Company Limited

STRUCTURAL ENGINEER :
 AECOM

FAÇADE CONSULTANT :

NOTE :
 1. ALL DIMENSIONS ARE IN mm.
 2. ALL ELEVATIONS ARE VIEWED FROM OUTSIDE.
 3. ALL DIMENSIONS TO BE VERIFIED ON SITE BEFORE FABRICATION.

LEGEND :
 X1 --- DETAIL MARK NO.
 X001 --- REFER SHEET NO.
 1. F.F.L. --- FINISHED FLOOR LEVEL
 2. S.F.L. --- STRUCTURAL FLOOR LEVEL
 3. (R) --- REVERSED DETAIL

A	2019/5/2	BY ARCHITECT COMMENT	Zeng
NO.	DATE	REVISED	BY

GLAZING AREA	Required =
	Provided =
OPENABLE AREA	Required =
	Provided =

JOB NO. : J-837
 PROJECT :
 URA KWUN TONG TOWN CENTRE
 REDEVELOPMENT (AREA 2 & 3) AT
 NKIL 6514, KWUN TONG, KOWLOON

TITLE :
 ALUM. WINDOW SCHEDULE
 (FOR T1)

DATE : 09-JUL-18 SCALE : 1:##
 DRAWN BY : Zeng CHECKED BY : DW

美特鋁質有限公司
 MIDI ALUMINIUM FABRICATOR LTD.
 Units 6-8, Sunray Industrial Centre, 1/F
 610 Cha Kwo Ling Road, Kowloon
 Tel: 23489211-4 Fax: (852) 27727666
 DWG NO. : JB37-IW-2109 REV. : A

ELEVATION

WINDOW MARK



SECTION :

50mm ALUM. SECTION

QTY.

1 NOS.

LOCATION :

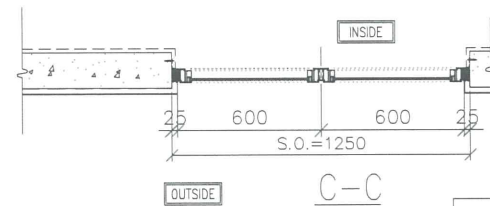
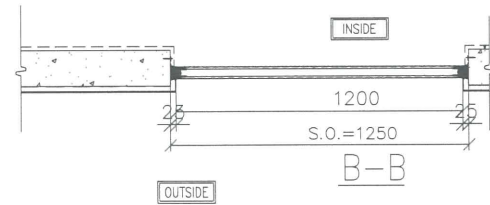
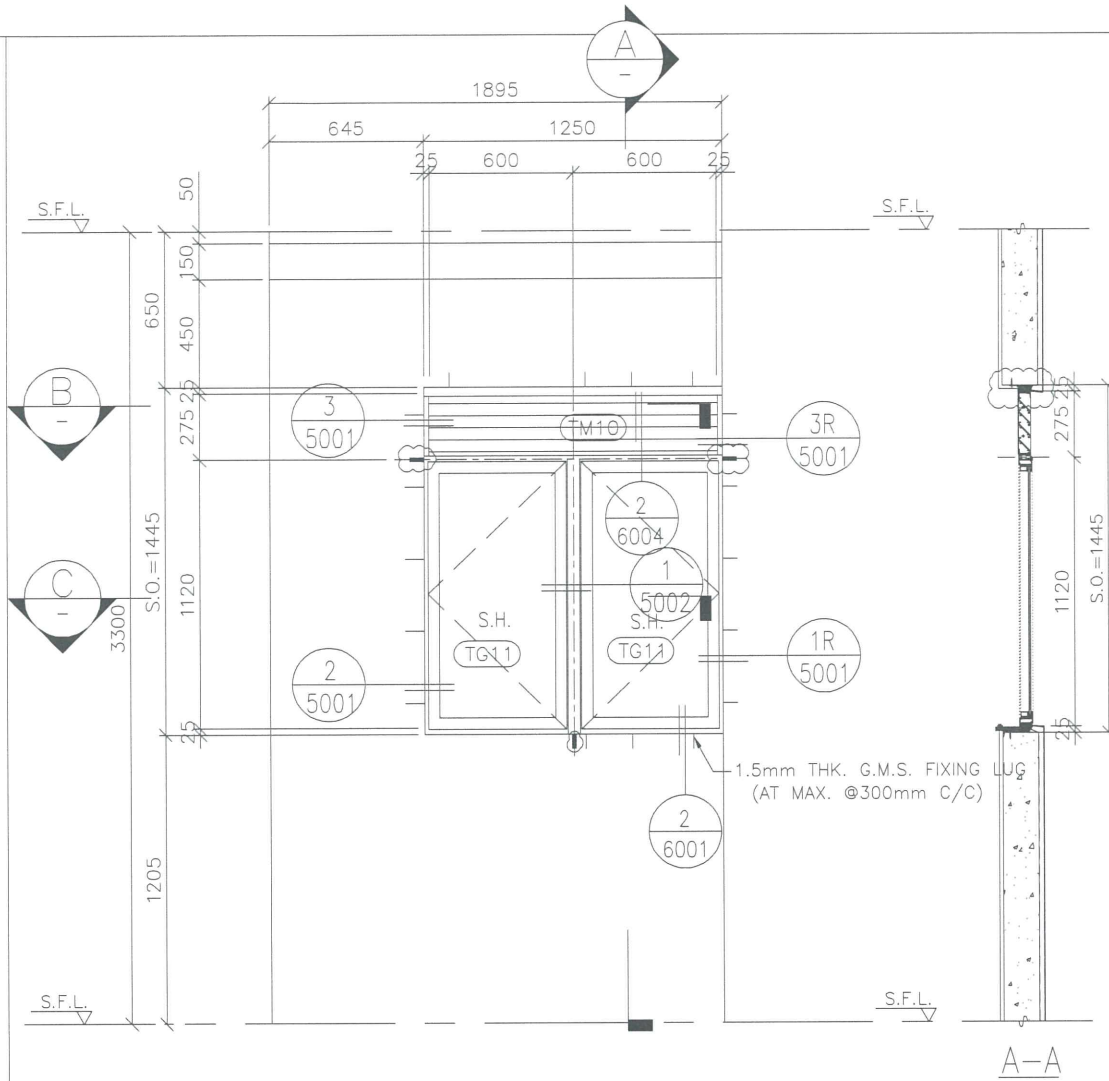
T1 50/F FLAT A LIV.

GLAZING

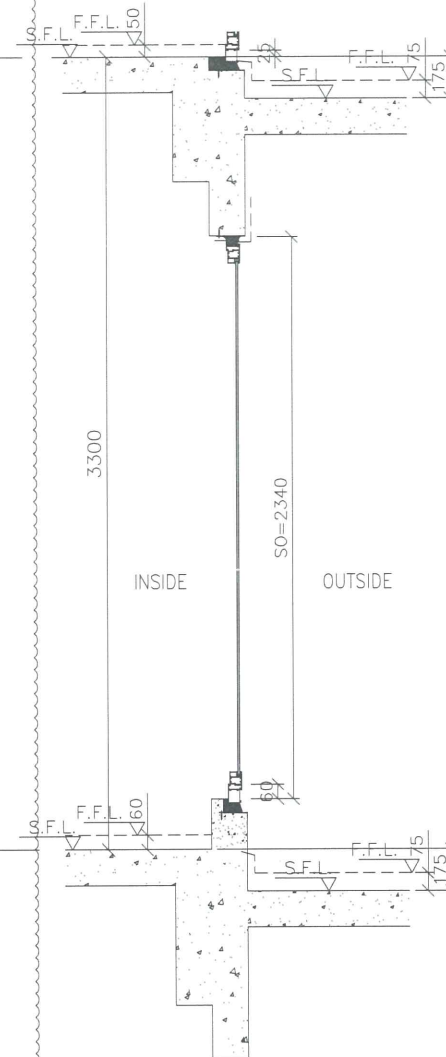
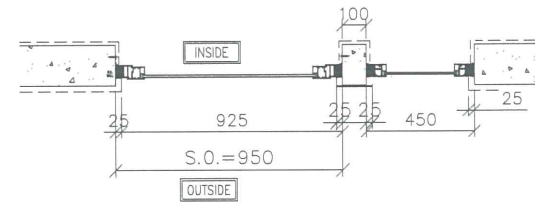
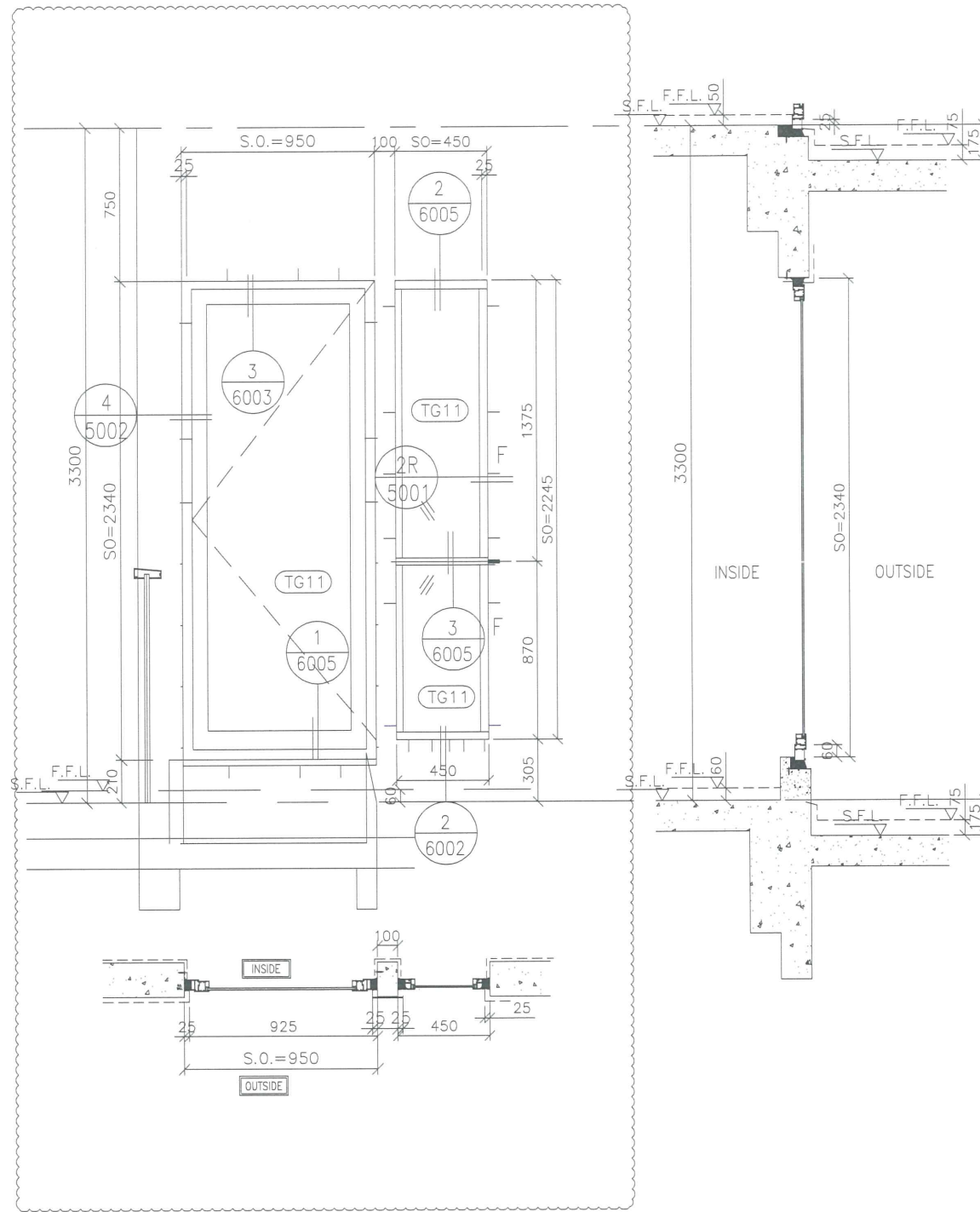
8mm THK CLEAR TEMPERED GLASS

REMARK :

ELEVATION



GLAZING AREA	Required = 0.969
	Provided = 1.08
OPENABLE AREA	Required = 0.606
	Provided = 1.13



B.D. REF :

CLIENT : 信和置業有限公司 Sino Land Company Limited

ARCHITECT : WONG TUNG & PARTNERS LIMITED ARCHITECTS & PLANNERS

MAIN CONTRACTOR : CR Construction Company Limited

STRUCTURAL ENGINEER : AECOM

FAÇADE CONSULTANT :

NOTE :

- ALL DIMENSIONS ARE IN mm.
- ALL ELEVATIONS ARE VIEWED FROM OUTSIDE.
- ALL DIMENSIONS TO BE VERIFIED ON SITE BEFORE FABRICATION.

LEGEND :

X1 --- DETAIL MARK NO.
X001 --- REFER SHEET NO.

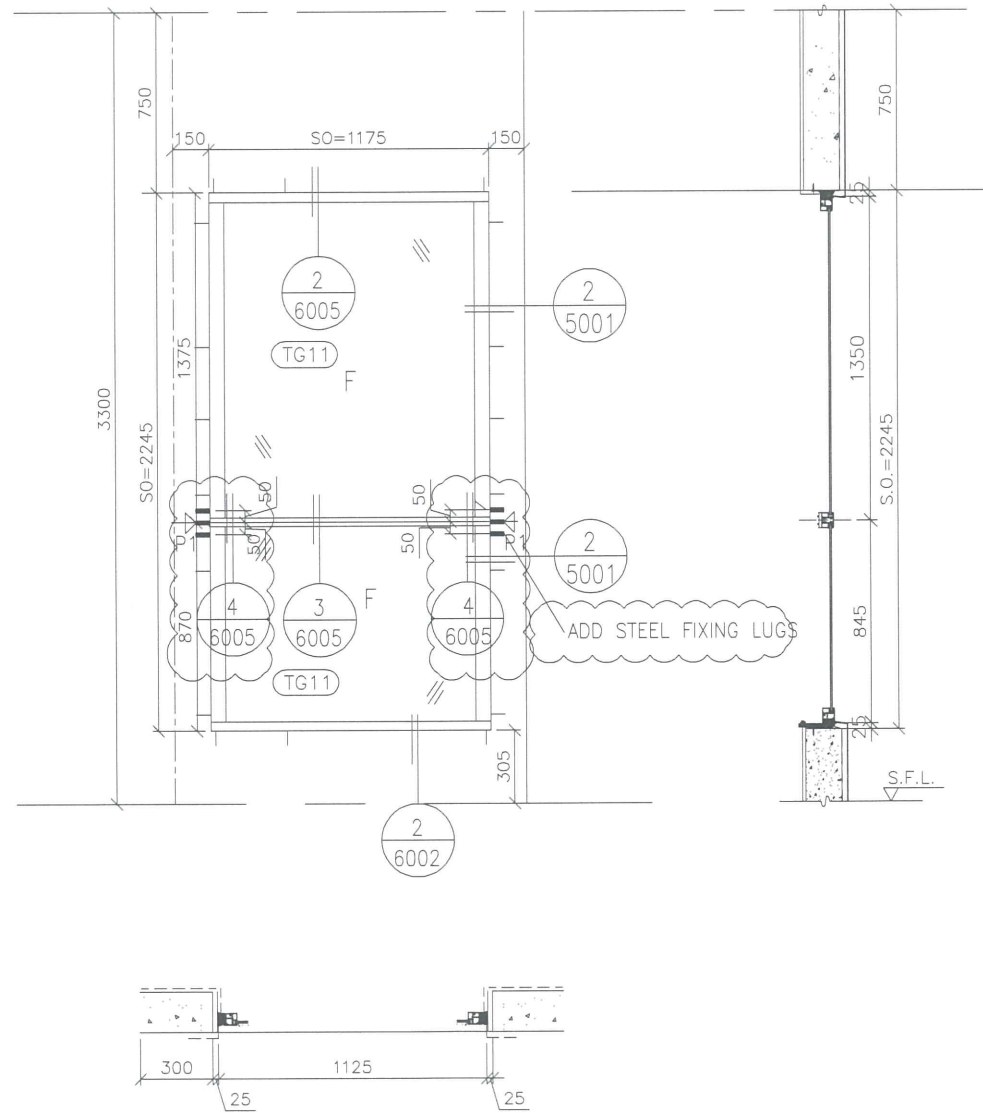
- F.F.L. --- FINISHED FLOOR LEVEL
- S.F.L. --- STRUCTURAL FLOOR LEVEL
- (R) --- REVERSED DETAIL

NO.	DATE	REVISED	BY
JOB NO. : J-837			
PROJECT : URA KWUN TONG TOWN CENTRE REDEVELOPMENT (AREA 2 & 3) AT NKIL 6514, KWUN TONG, KOWLOON			
TITLE : ALUM. WINDOW SCHEDULE (FOR T3)			
DATE : 09-JUL-18		SCALE : 1:30	
DRAWN BY : Zeng		CHECKED BY : DW	
<p>Units 6-8, Sunray Industrial Centre, 1/F 610 Cha Kwo Ling Road, Kowloon Tel: 23489211-4 Fax: (852) 2772666</p>			
DWG NO. : J837-IW-2307			REV. : -

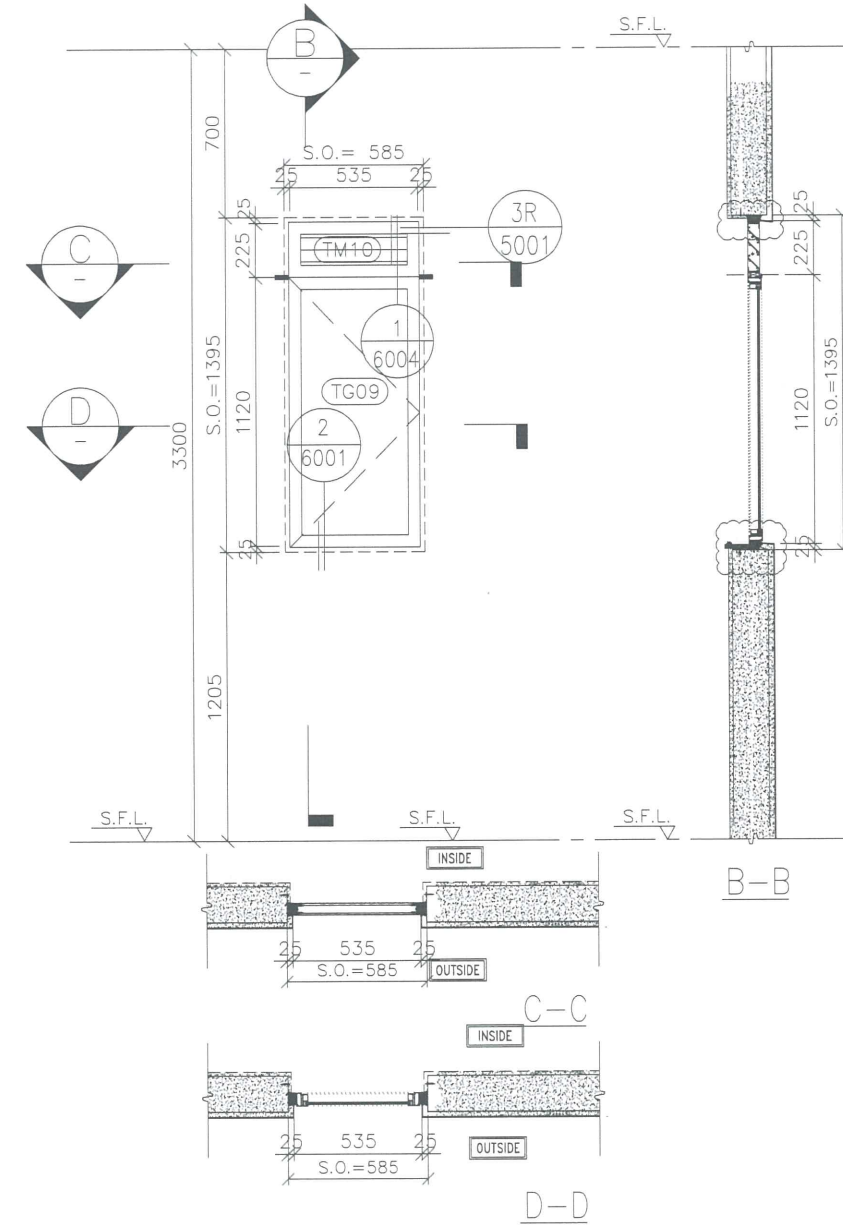
WINDOW MARK	T3W 52D-KIT	T3W 52H-KIT	T3W 52H-LIV
SECTION :	50mm ALUM. SECTION	50mm ALUM. SECTION	50mm ALUM. SECTION
QTY.	1 NOS.	1 NOS.	1 NOS.
LOCATION :	T3 52F FLAT D KITCHEN	T3 52F FLAT H KITCHEN	T3 52F FLAT H LIV.
GLAZING	8mm THK CLEAR TEMPERED GLASS	8mm THK CLEAR TEMPERED GLASS	8mm THK CLEAR TEMPERED GLASS
REMARK :			

26/3 Revised

ELEVATION



GLAZING AREA	Required =
	Provided = 1.40
OPENABLE AREA	Required =
	Provided = 0



GLAZING AREA	Required = 0.336
	Provided = 0.38
OPENABLE AREA	Required = 0.336
	Provided = 0.46

B.D. REF :

CLIENT :
 信和置業有限公司
 Sino Land Company Limited

ARCHITECT :
 WONG TUNG & PARTNERS LIMITED
 ARCHITECTS & PLANNERS

MAIN CONTRACTOR :
 CR Construction Company Limited

STRUCTURAL ENGINEER :
 AECOM

FACADE CONSULTANT:

NOTE :
 1. ALL DIMENSIONS ARE IN mm.
 2. ALL ELEVATIONS ARE VIEWED FROM OUTSIDE.
 3. ALL DIMENSIONS TO BE VERIFIED ON SITE BEFORE FABRICATION.

LEGEND :
 X1 --- DETAIL MARK NO.
 X001 --- REFER SHEET NO.

1. F.F.L. --- FINISHED FLOOR LEVEL
 2. S.F.L. --- STRUCTURAL FLOOR LEVEL
 3. (R) --- REVERSED DETAIL

A	2019/05/02	BY ARCHITECT COMMENT	Zeng
NO.	DATE	REVISED	BY

JOB NO. : J-837
 PROJECT :
 URA KWUN TONG TOWN CENTRE
 REDEVELOPMENT (AREA 2 & 3) AT
 NKIL 6514, KWUN TONG, KOWLOON

TITLE :
 ALUM. WINDOW SCHEDULE
 (FOR T5)

DATE : 09-JUL-18 SCALE : 1:30
 DRAWN BY : Zeng CHECKED BY : DW

美特鋁質有限公司
 MIDI ALUMINIUM FABRICATOR LTD.
 Units 6-8, Sunray Industrial Centre, 1/F
 610 Cha Kwo Ling Road, Kowloon
 Tel:23489211-4 Fax:(852)2772666

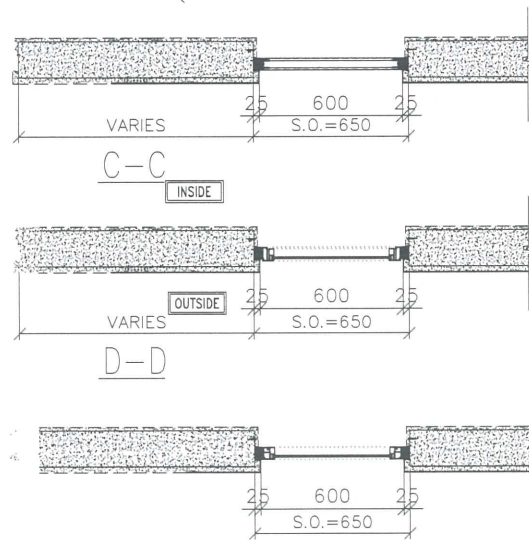
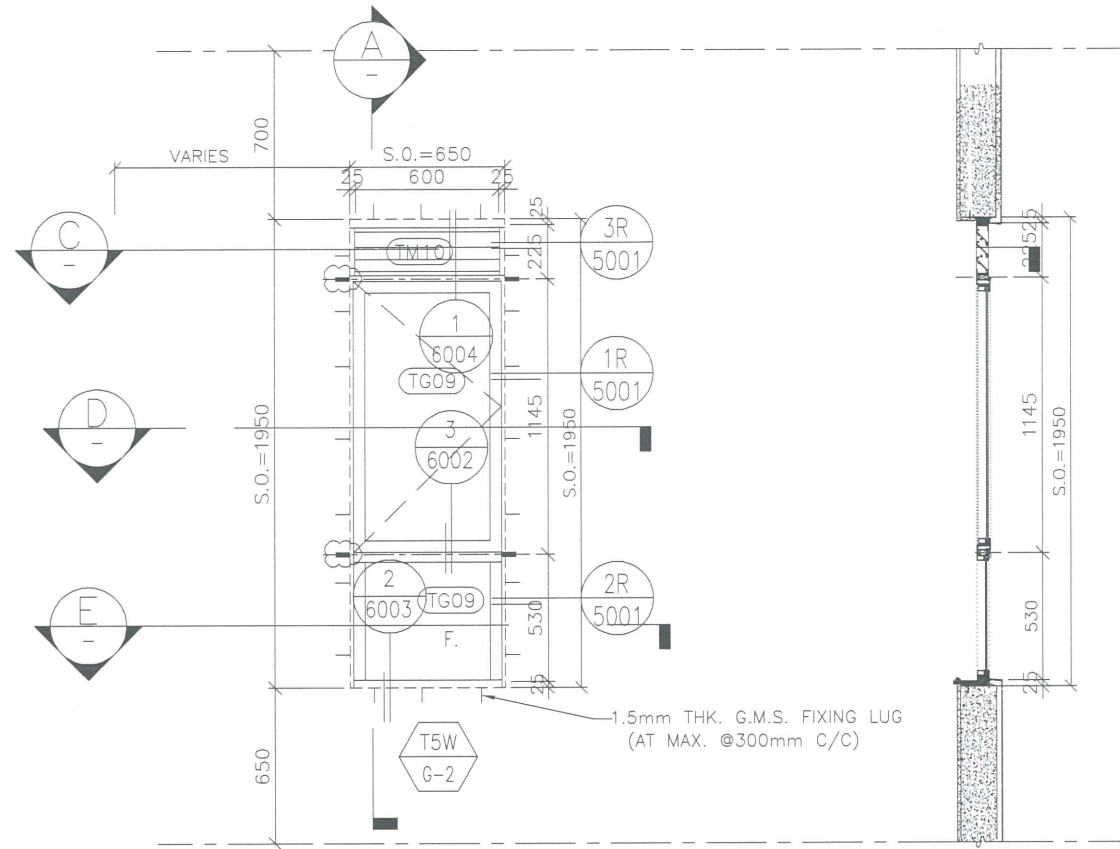
DWG NO. : JB37-IW-250B REV. : A

6/5/19

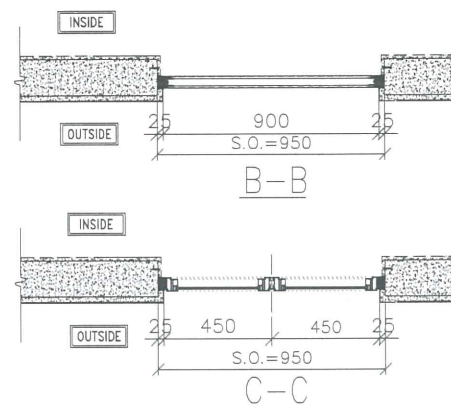
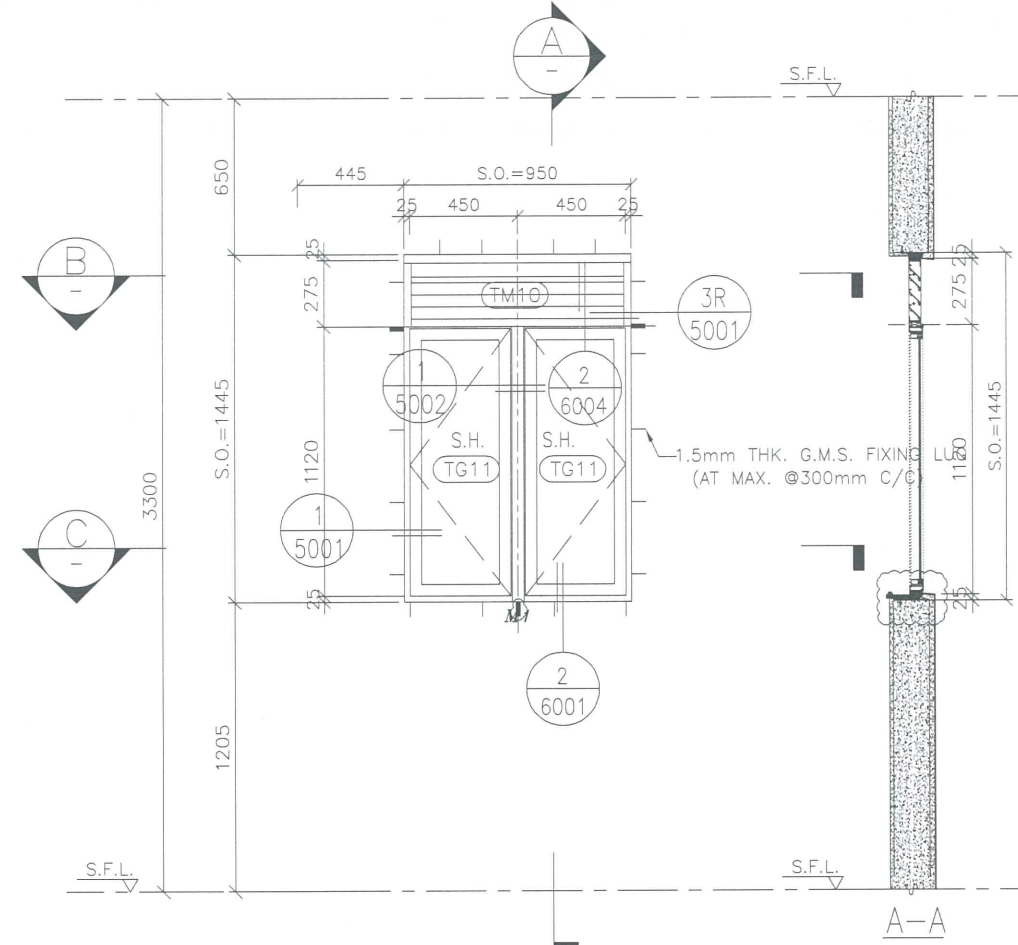
WINDOW MARK	T5W 51A-LIV
SECTION :	50mm ALUM. SECTION
QTY.	1 NOS.
LOCATION :	T5 51/F FLAT A LIV.
GLAZING	8mm THK CLEAR TEMPERED GLASS
REMARK :	

WINDOW MARK	T5W 51A M-BATH-2
SECTION :	50mm ALUM. SECTION
QTY.	1 NOS.
LOCATION :	T5 51/F FLAT A M-BATH 2
GLAZING	8mm THK ACID ETCHED FROSTED TEMPERED GLASS
REMARK :	

ELEVATION



GLAZING AREA	Required = 0.352
	Provided = 0.71
OPENABLE AREA	Required = 0.352
	Provided = 0.58



GLAZING AREA	Required = 0.683
	Provided = 0.78
OPENABLE AREA	Required = 0.427
	Provided = 0.81

B.D. REF :

CLIENT : 信和置業有限公司 Sino Land Company Limited

ARCHITECT : WONG TUNG & PARTNERS LIMITED ARCHITECTS & PLANNERS

MAIN CONTRACTOR : CR Construction Company Limited

STRUCTURAL ENGINEER : AECOM

FACADE CONSULTANT :

NOTE :

- ALL DIMENSIONS ARE IN mm.
- ALL ELEVATIONS ARE VIEWED FROM OUTSIDE.
- ALL DIMENSIONS TO BE VERIFIED ON SITE BEFORE FABRICATION.

LEGEND :

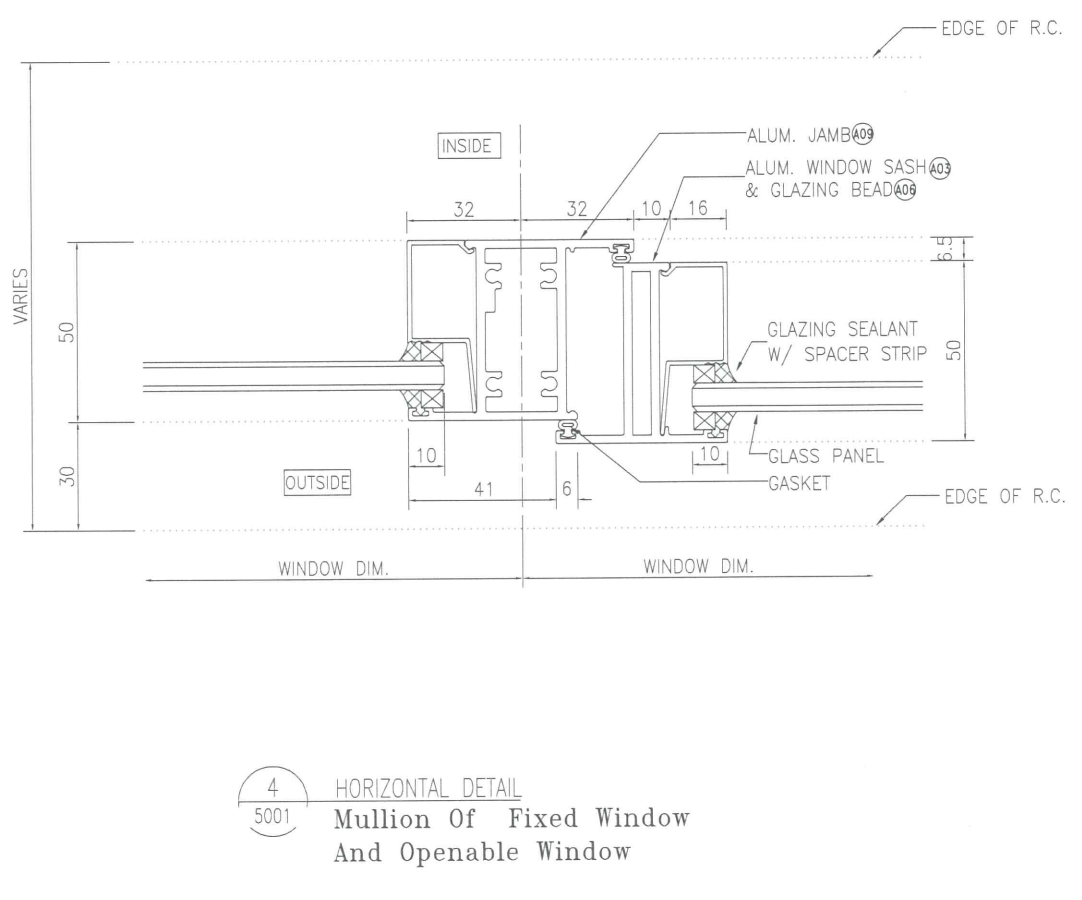
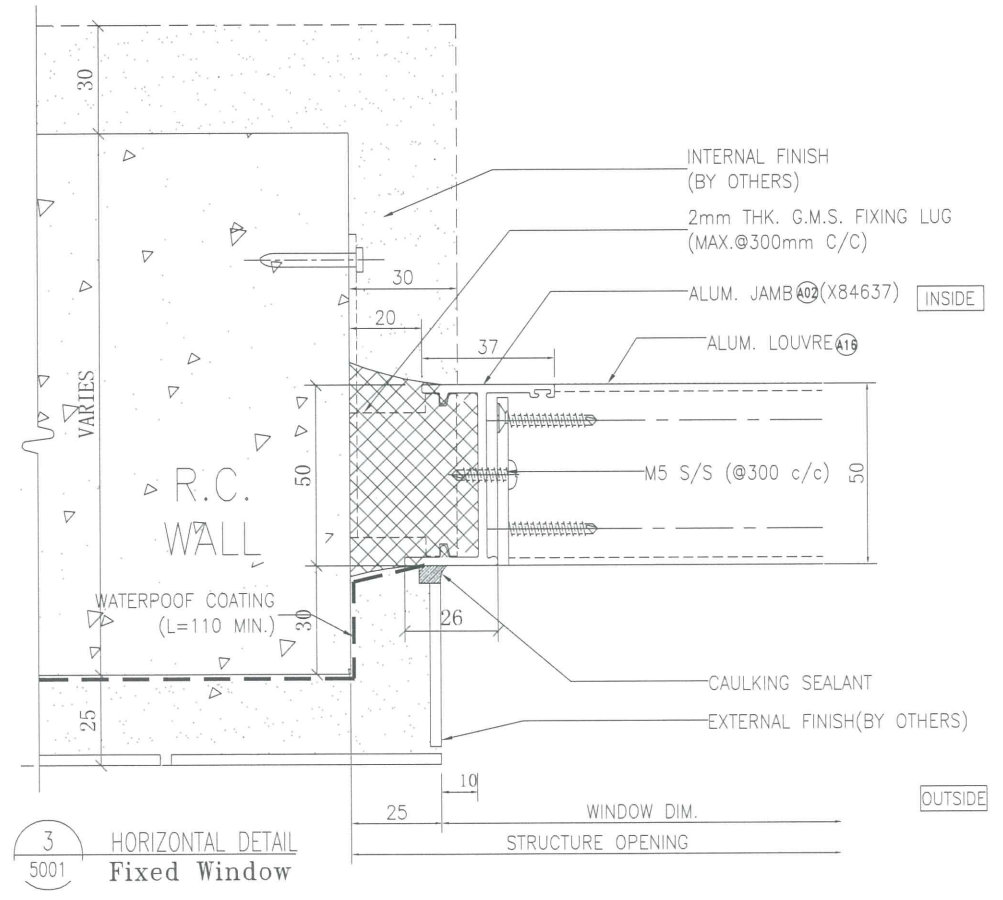
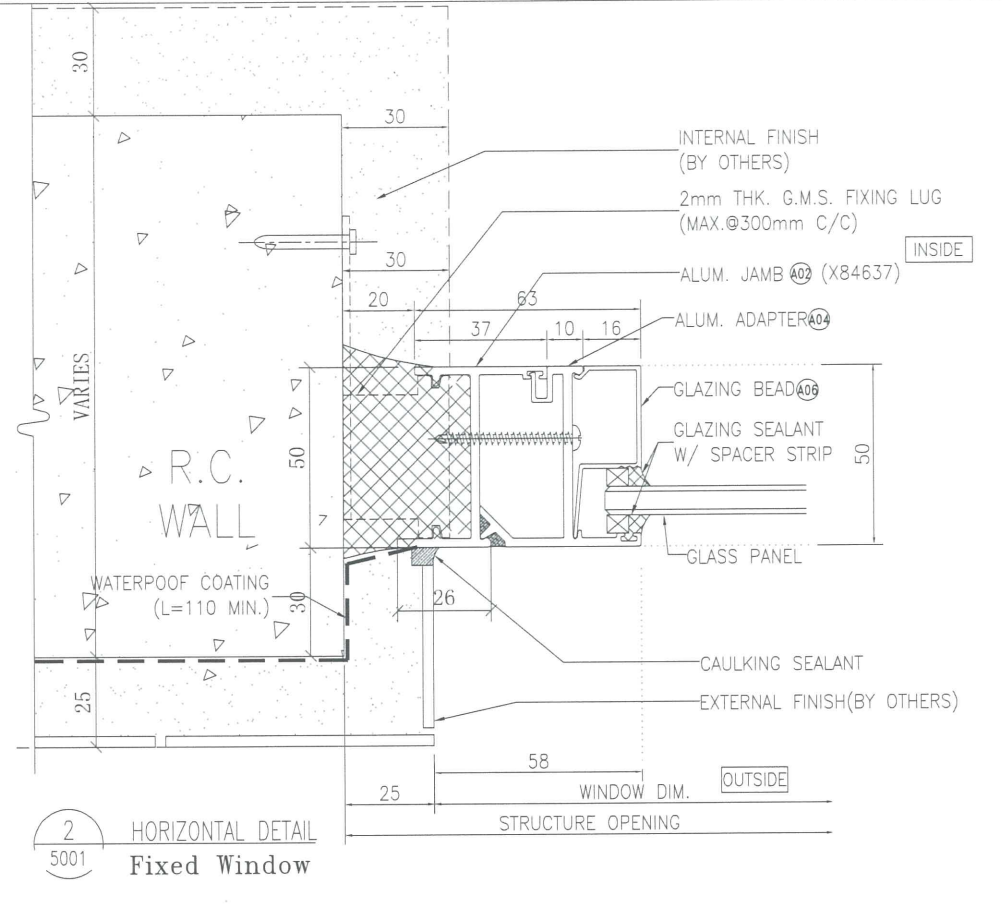
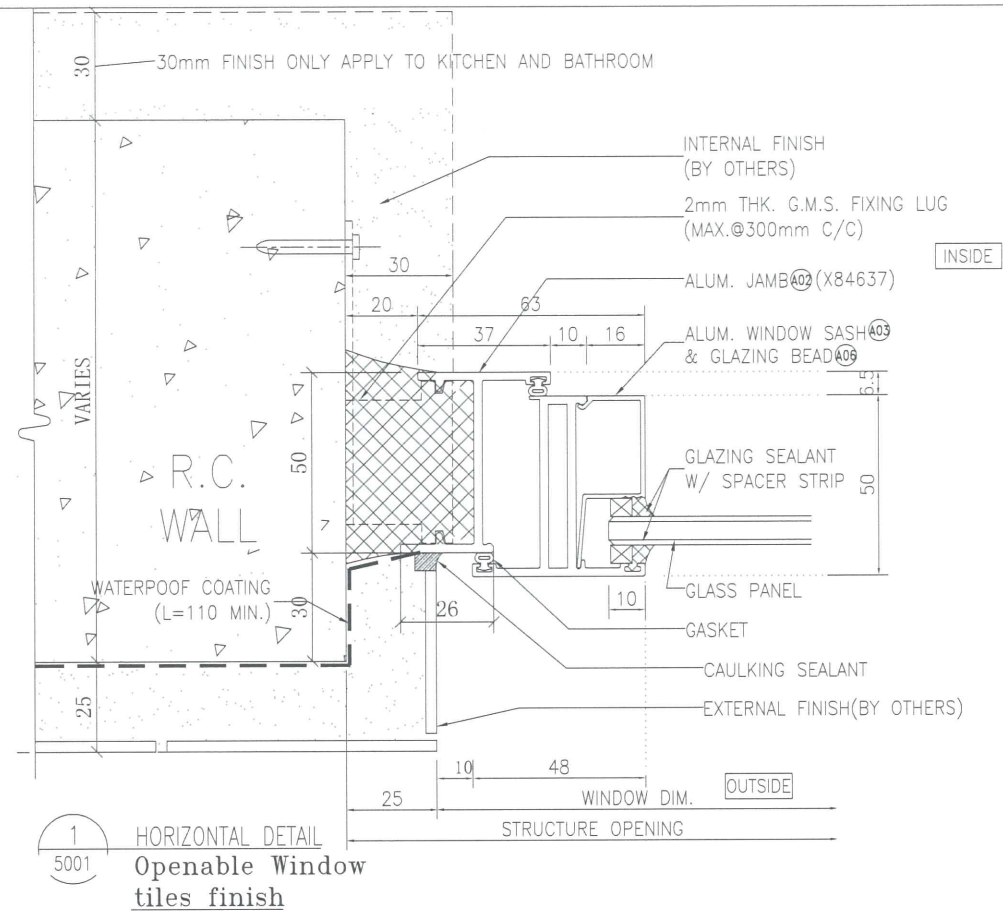
X1 --- DETAIL MARK NO.
X001 --- REFER SHEET NO.

- F.F.L. --- FINISHED FLOOR LEVEL
- S.F.L. --- STRUCTURAL FLOOR LEVEL
- (R) --- REVERSED DETAIL

NO.	DATE	REVISED	BY
JOB NO. : J-837			
PROJECT : URA KWUN TONG TOWN CENTRE REDEVELOPMENT (AREA 2 & 3) AT NKIL 6514, KWUN TONG, KOWLOON			
TITLE : ALUM. WINDOW SCHEDULE (FOR T5)			
DATE : 09-JUL-18		SCALE : 1:30	
DRAWN BY : Zeng		CHECKED BY : DW	
<p>Units 6-8, Sunray Industrial Centre, 1/F 610 Cha Kwo Ling Road, Kowloon Tel:23489211-4 Fax:(852)27727666</p>			
DWS NO. : JB37-IW-2509		REV. : -	

WINDOW MARK	T5W 51A-M-BATH-3
SECTION :	50mm ALUM. SECTION
QTY.	1 NOS.
LOCATION :	T5 51/F FLAT A M-BATH 3
GLAZING	8mm THK ACID ETCHED FROSTED TEMPERED GLASS
REMARK :	

WINDOW MARK	T5W 51A-KIT
SECTION :	50mm ALUM. SECTION
QTY.	1 NOS.
LOCATION :	T5 51/F FLAT A KITCHEN
GLAZING	8mm THK CLEAR TEMPERED GLASS
REMARK :	



B.D. REF :

CLIENT : 信和置業有限公司 Sino Land Company Limited

ARCHITECT : WONG TUNG & PARTNERS LIMITED ARCHITECTS & PLANNERS

MAIN CONTRACTOR : CR Construction Company Limited

STRUCTURAL ENGINEER : AECOM

FACADE CONSULTANT :

NOTE :

- ALL DIMENSIONS ARE IN mm.
- ALL ELEVATIONS ARE VIEWED FROM OUTSIDE.
- ALL DIMENSIONS TO BE VERIFIED ON SITE BEFORE FABRICATION.

LEGEND :

x1 -- DETAIL MARK NO.
x001 -- REFER SHEET NO.

- F.F.L. -- FINISHED FLOOR LEVEL
- S.F.L. -- STRUCTURAL FLOOR LEVEL
- (R) -- REVERSED DETAIL

NO.	DATE	BY ARCHITECT COMMENT	REVISD	BY
A	2018/11/2			Zeng

JOB NO. : J-837

PROJECT : URA KWUN TONG TOWN CENTRE REDEVELOPMENT (AREA 2 & 3) AT NKIL 6514, KWUN TONG, KOWLOON

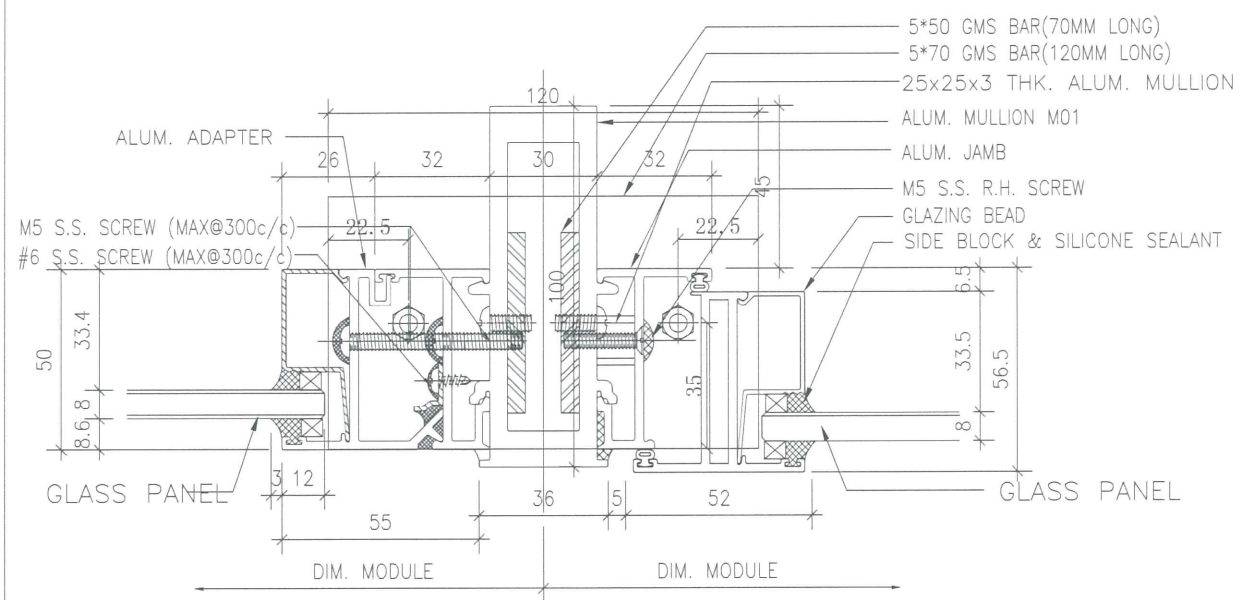
TITLE : TYPICAL DETAIL FOR IN-SITU ALUM. WINDOW

DATE : 09-JUL-18 SCALE : 1:2

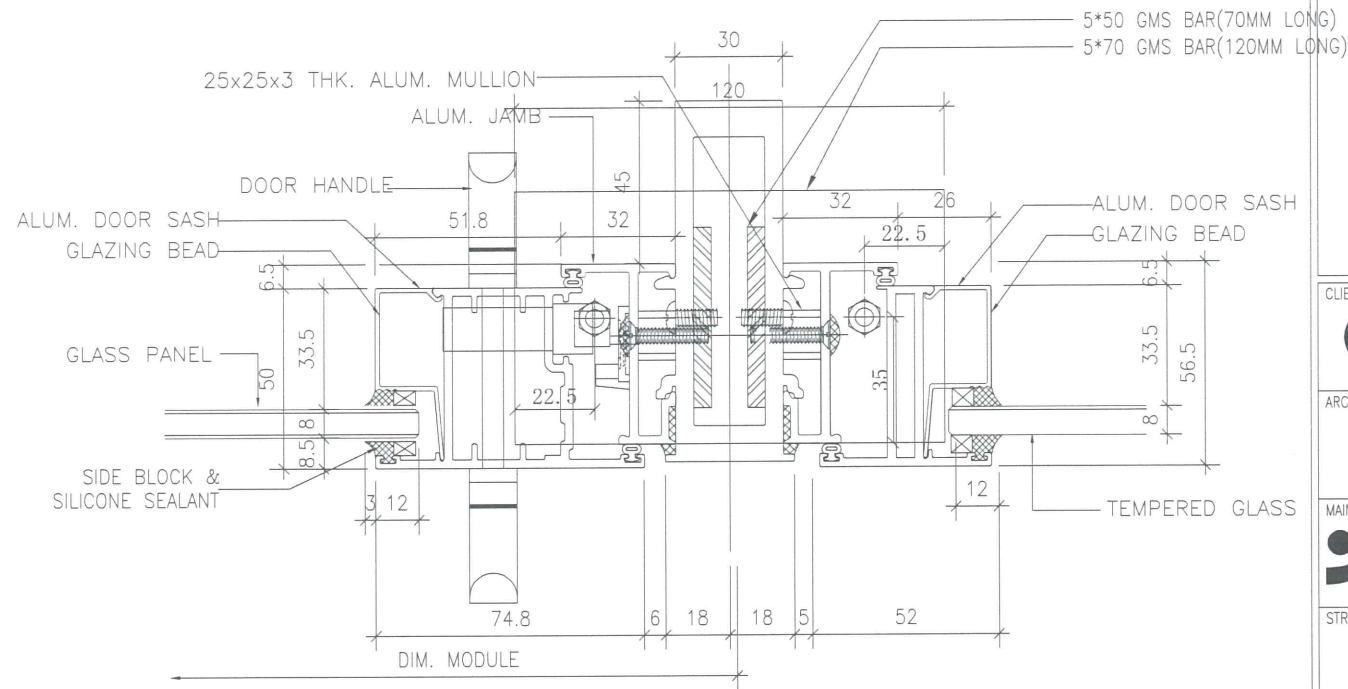
DRAWN BY : Zeng CHECKED BY : DW

MIDI ALUMINIUM FABRICATOR LTD.
Units 6-8, Sunray Industrial Centre, 1/F
610 Cha Kwo Ling Road, Kowloon
Tel: 23489211-4 Fax: (852) 2727666

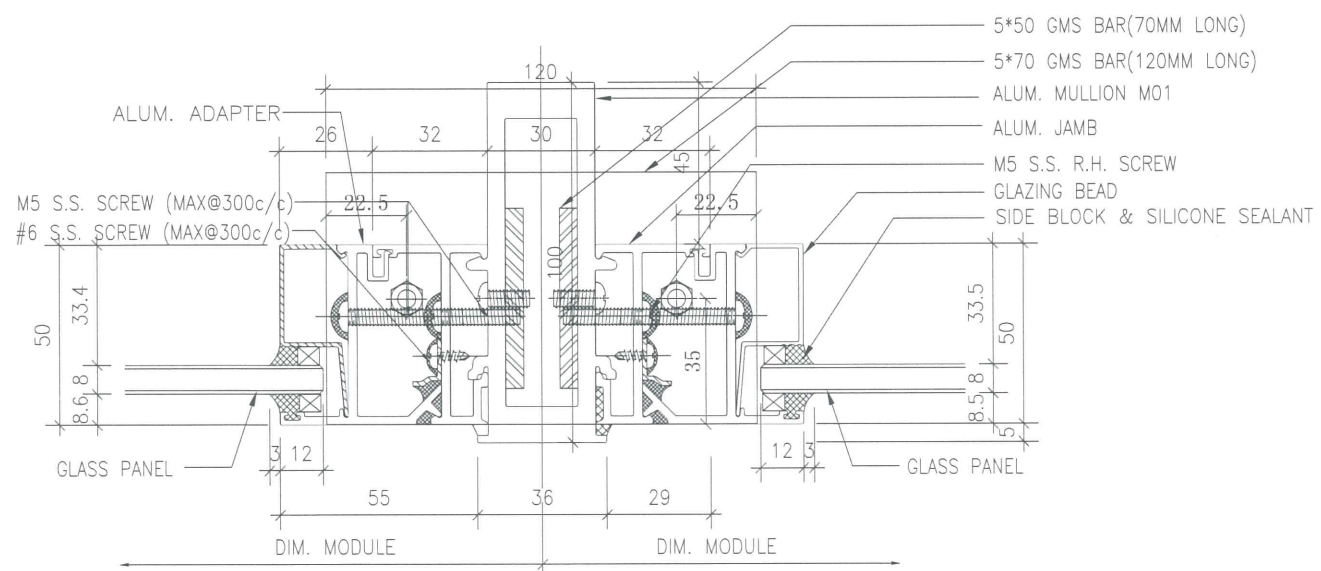
DWG NO. : J837-IW-5001 REV. : A



1 HORIZONTAL DETAIL
5003



2 HORIZONTAL DETAIL
5003



3 HORIZONTAL DETAIL
5003 (FIXED PANEL)

B.D. REF :

CLIENT :
信和置業有限公司
Sino Land Company Limited

ARCHITECT :
WONG TUNG & PARTNERS LIMITED
ARCHITECTS & PLANNERS
WT

MAIN CONTRACTOR :
CR Construction Company Limited

STRUCTURAL ENGINEER :
AECOM

FACADE CONSULTANT :

NOTE :
1. ALL DIMENSIONS ARE IN mm.
2. ALL ELEVATIONS ARE VIEWED FROM OUTSIDE.
3. ALL DIMENSIONS TO BE VERIFIED ON SITE BEFORE FABRICATION.

LEGEND :
X1 — DETAIL MARK NO.
X001 — REFER SHEET NO.
1. F.F.L. — FINISHED FLOOR LEVEL
2. S.F.L. — STRUCTURAL FLOOR LEVEL
3. (R) — REVERSED DETAIL

NO.	DATE	REVISED	BY

JOB NO. : J-837
PROJECT :
URA KWUN TONG TOWN CENTRE
REDEVELOPMENT (AREA 2 & 3) AT
NKIL 6514, KWUN TONG, KOWLOON

TITLE :
TYPICAL DETAIL FOR
IN-SITU ALUM. WINDOW

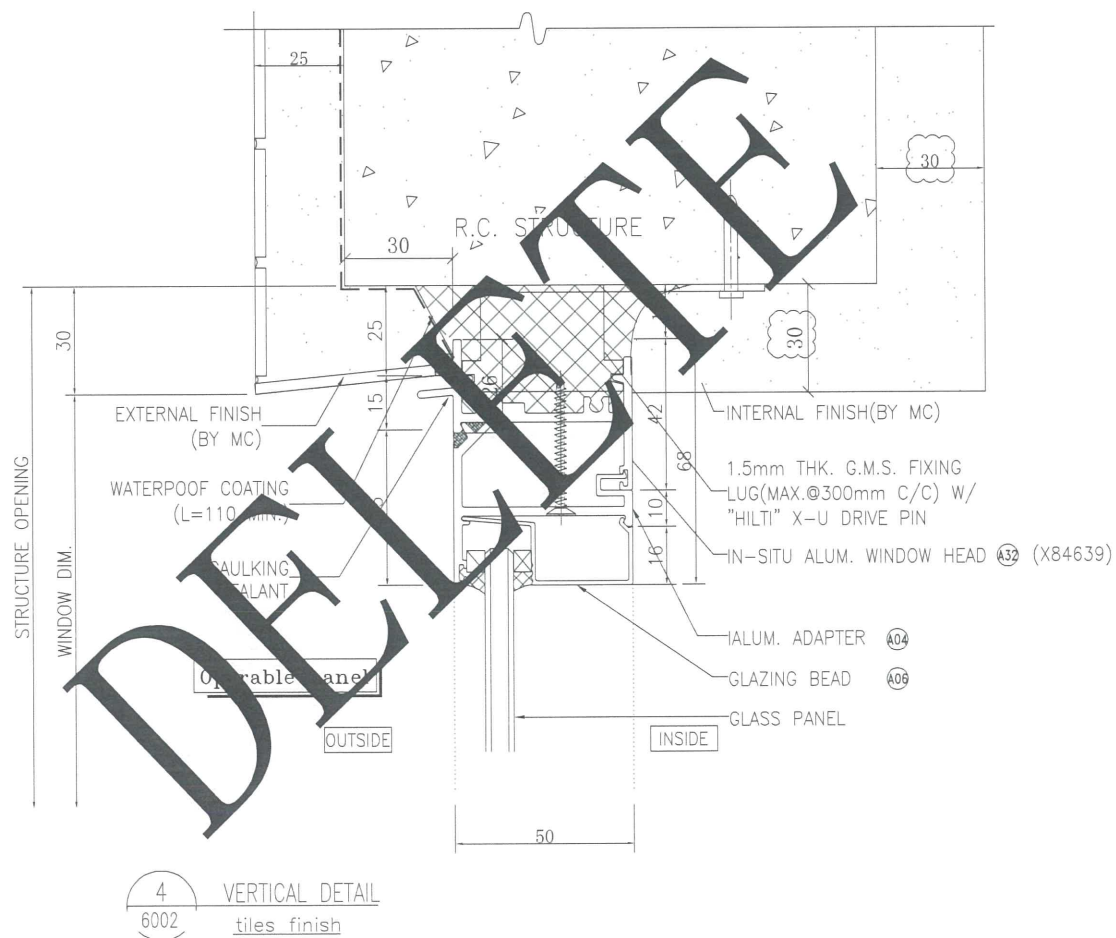
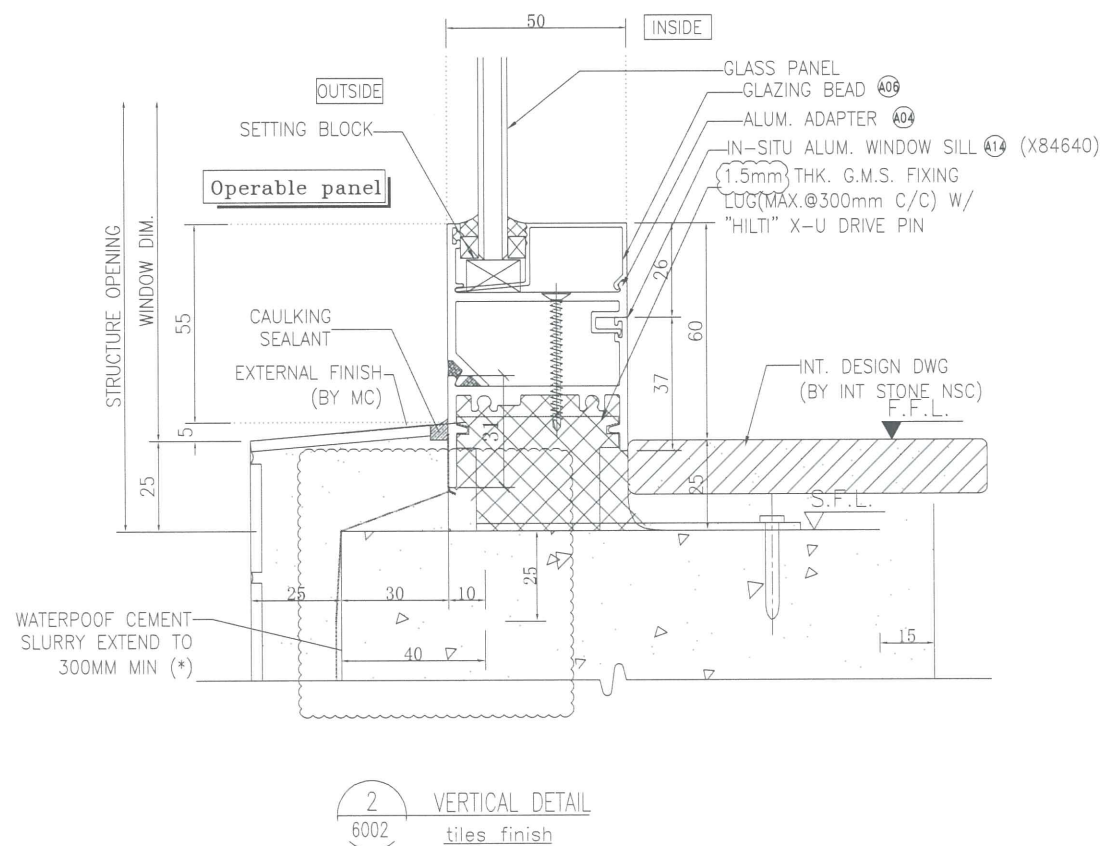
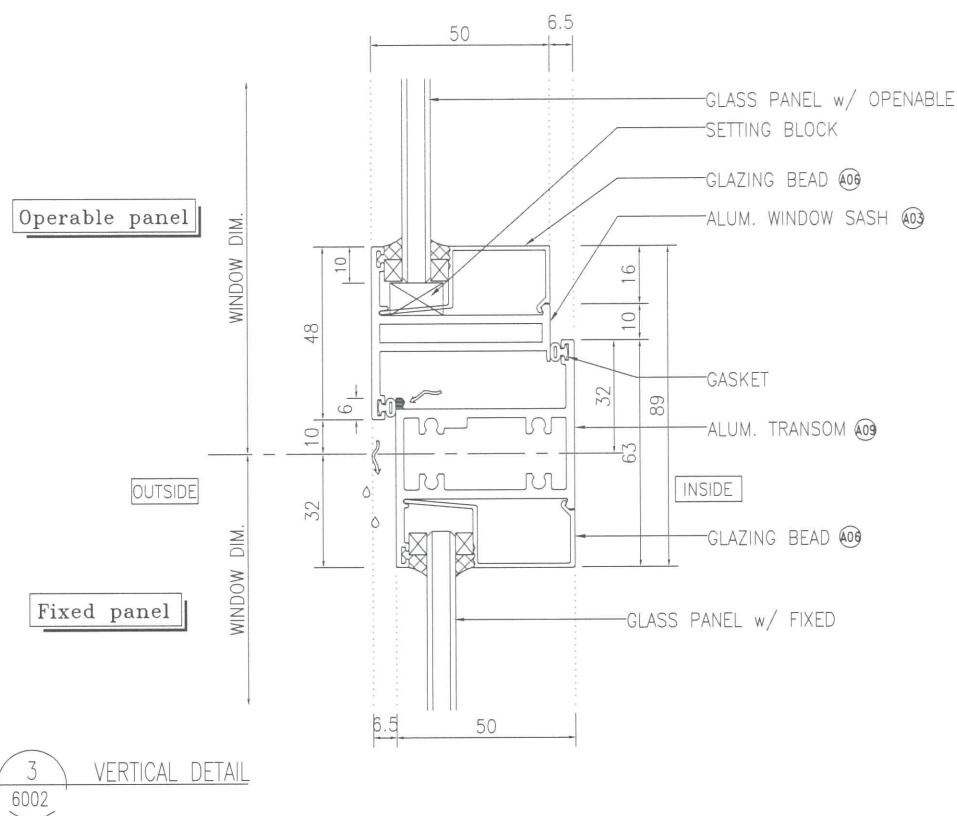
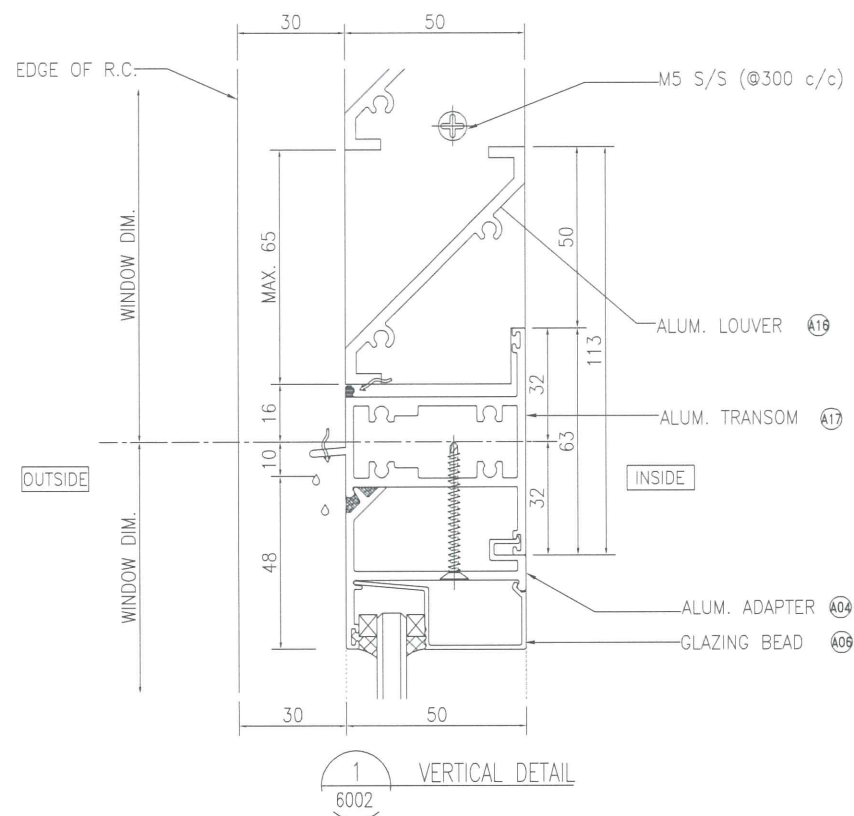
DATE : 09-JUL-18 SCALE : 1:#

DRAWN BY : Zeng CHECKED BY : DW

美特鋁質有限公司
MIDI ALUMINIUM FABRICATOR LTD.
Units 6-8, Sunray Industrial Centre, 1/F
610 Cha Kwo Ling Road, Kowloon
Tel:23489211-4 Fax:(852)2727666

DWG NO. : J837-IW-5003 REV. : -

6/5/19 N



B.D. REF :

CLIENT :
 信和置業有限公司
 Sino Land Company Limited

ARCHITECT :
 WONG TUNG & PARTNERS LIMITED
 ARCHITECTS & PLANNERS

MAIN CONTRACTOR :
 CR Construction Company Limited

STRUCTURAL ENGINEER :
 AECOM

FACADE CONSULTANT:

NOTE :
 1. ALL DIMENSIONS ARE IN mm.
 2. ALL ELEVATIONS ARE VIEWED FROM OUTSIDE.
 3. ALL DIMENSIONS TO BE VERIFIED ON SITE BEFORE FABRICATION.

LEGEND :
 (X1) — DETAIL MARK NO.
 (X001) — REFER SHEET NO.

1. F.F.L. — FINISHED FLOOR LEVEL
 2. S.F.L. — STRUCTURAL FLOOR LEVEL
 3. (R) — REVERSED DETAIL

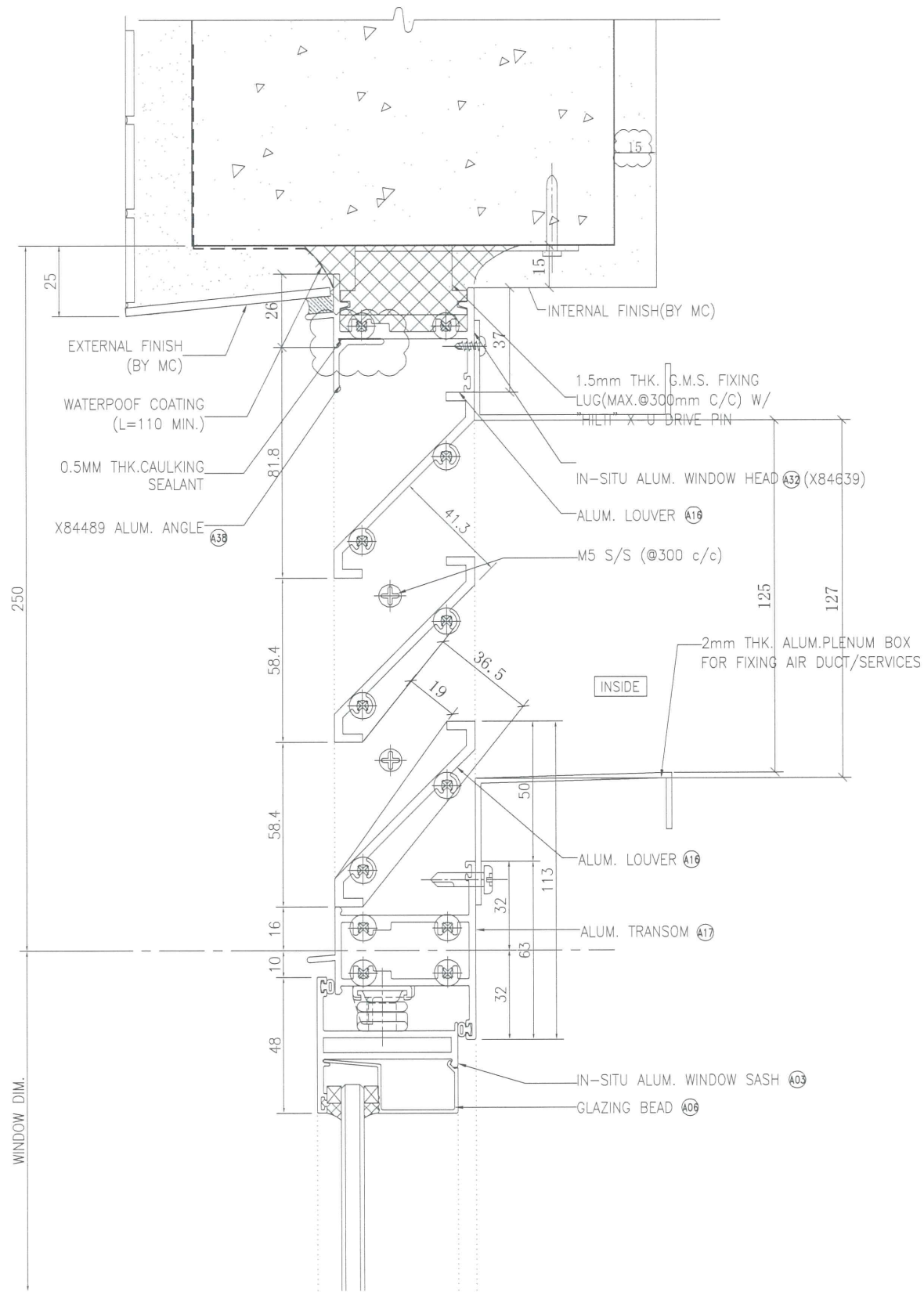
B	2019/1/30	BY ARCHITECT COMMENT	Zeng
A	2018/11/2	BY ARCHITECT COMMENT	Zeng
NO.	DATE	REVISED	BY

JOB NO. : J-837
 PROJECT :
 URA KWUN TONG TOWN CENTRE
 REDEVELOPMENT (AREA 2 & 3) AT
 NKIL 6514, KWUN TONG, KOWLOON

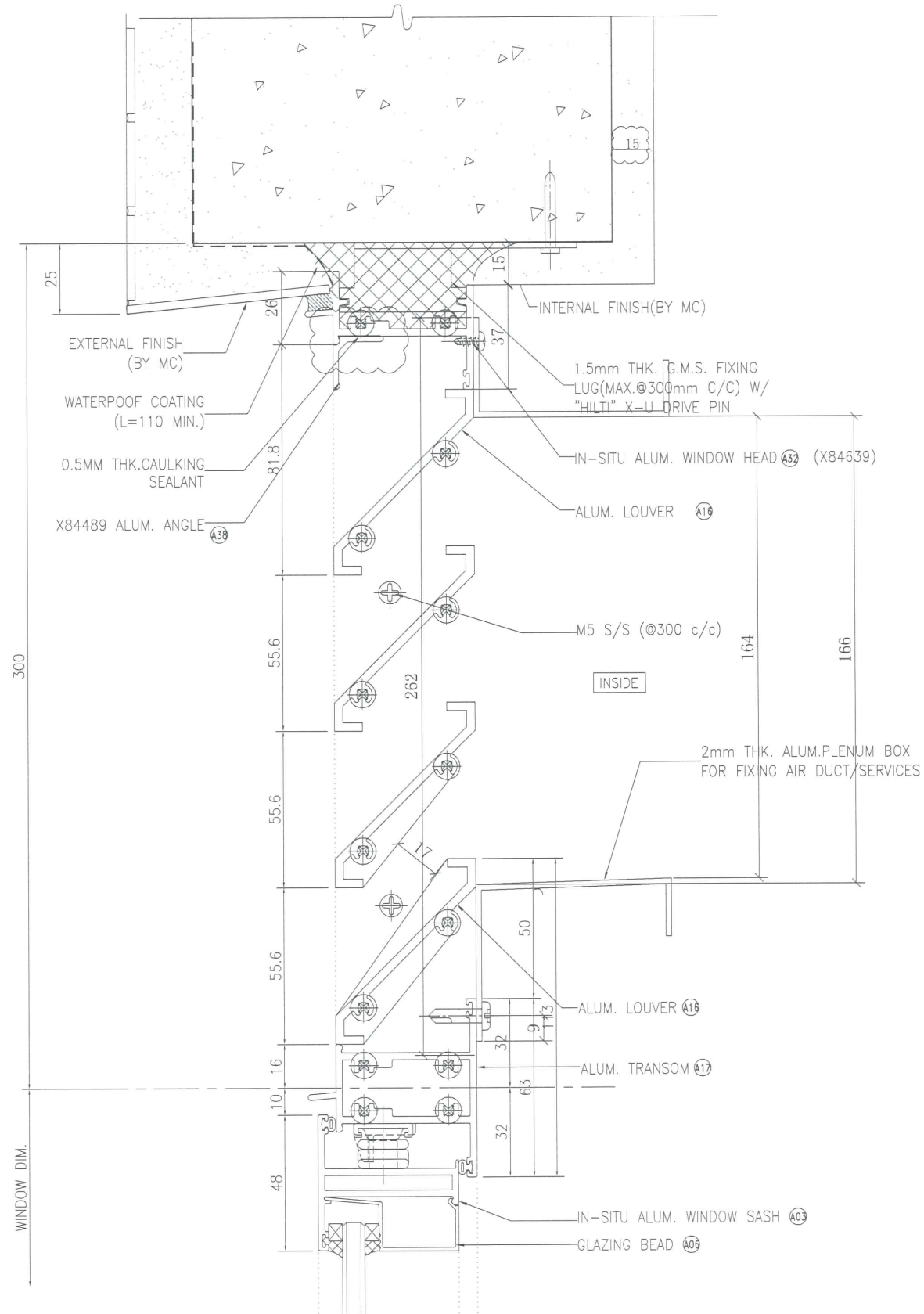
TITLE :
 TYPICAL DETAIL FOR
 IN-SITU ALUM. WINDOW
 (IN-SITU WINDOW)

DATE : 09-JUL-18 SCALE : 1:2
 DRAWN BY : Zeng CHECKED BY : DW

美特鋁質有限公司
 MIDI ALUMINUM FABRICATOR LTD.
 Units 6-8, Sunray Industrial Centre, 1/F
 610 Cha Kwo Ling Road, Kowloon
 Tel: 23489211-4 Fax: (852) 2727666
 DWG NO. : J837-IW-6002 REV. : B

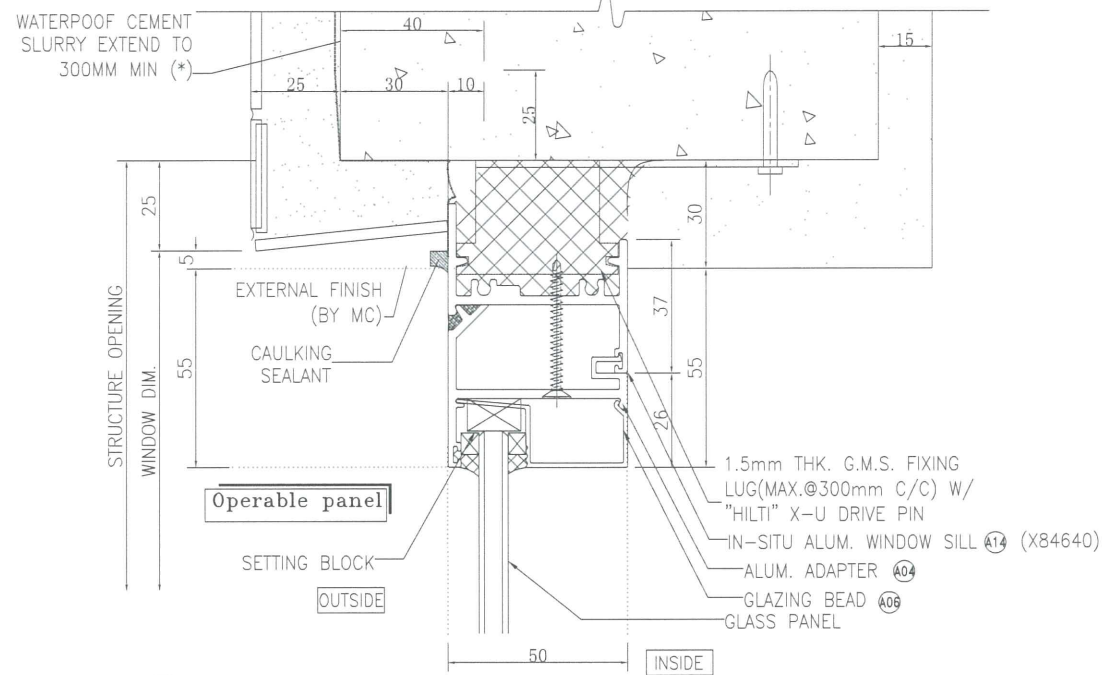


1 VERTICAL DETAIL
6004 For Alum. Louver With 52% Effective Area

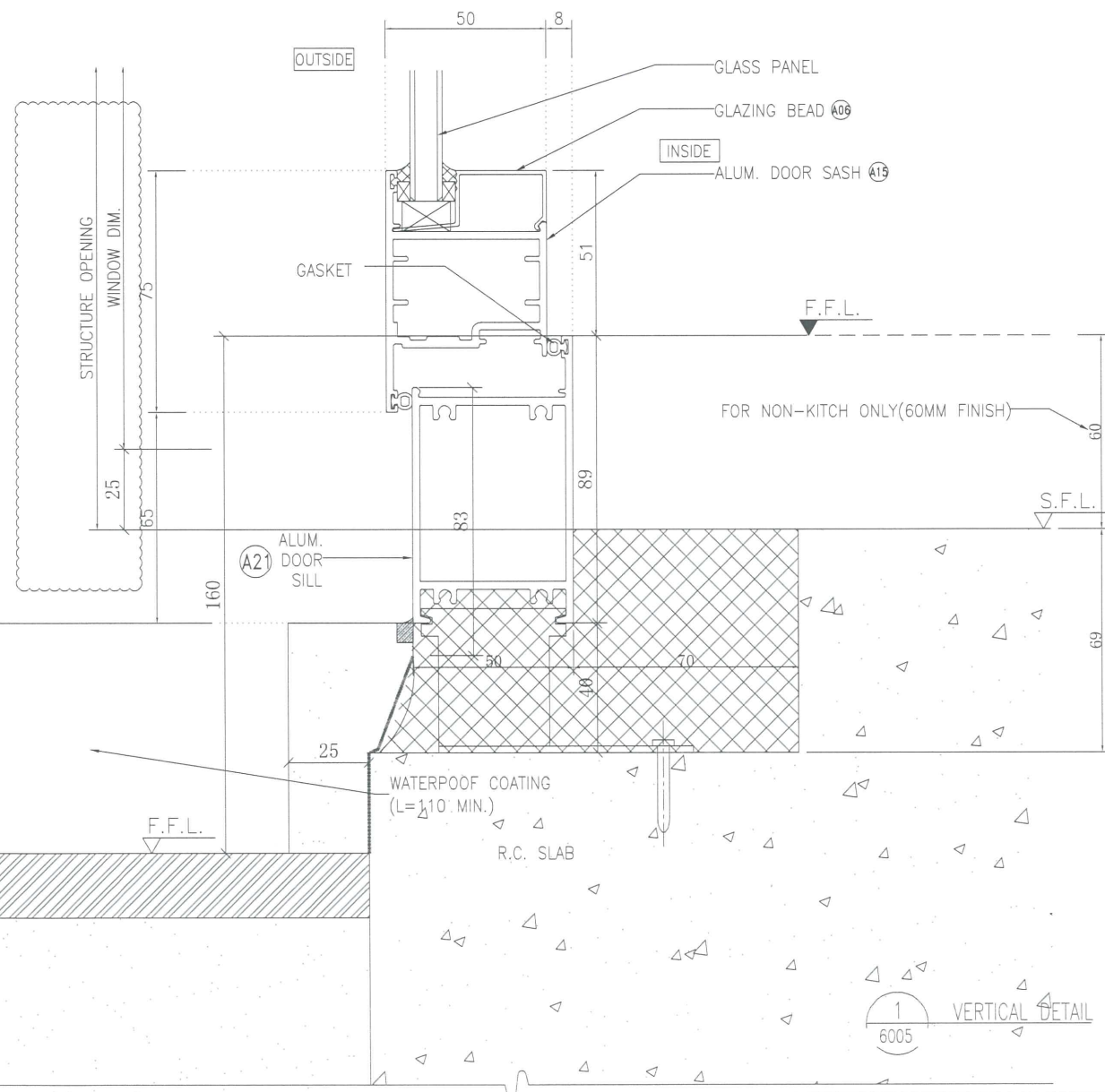


2 VERTICAL DETAIL
6004 For Alum. Louver With 48.6% Effective Area

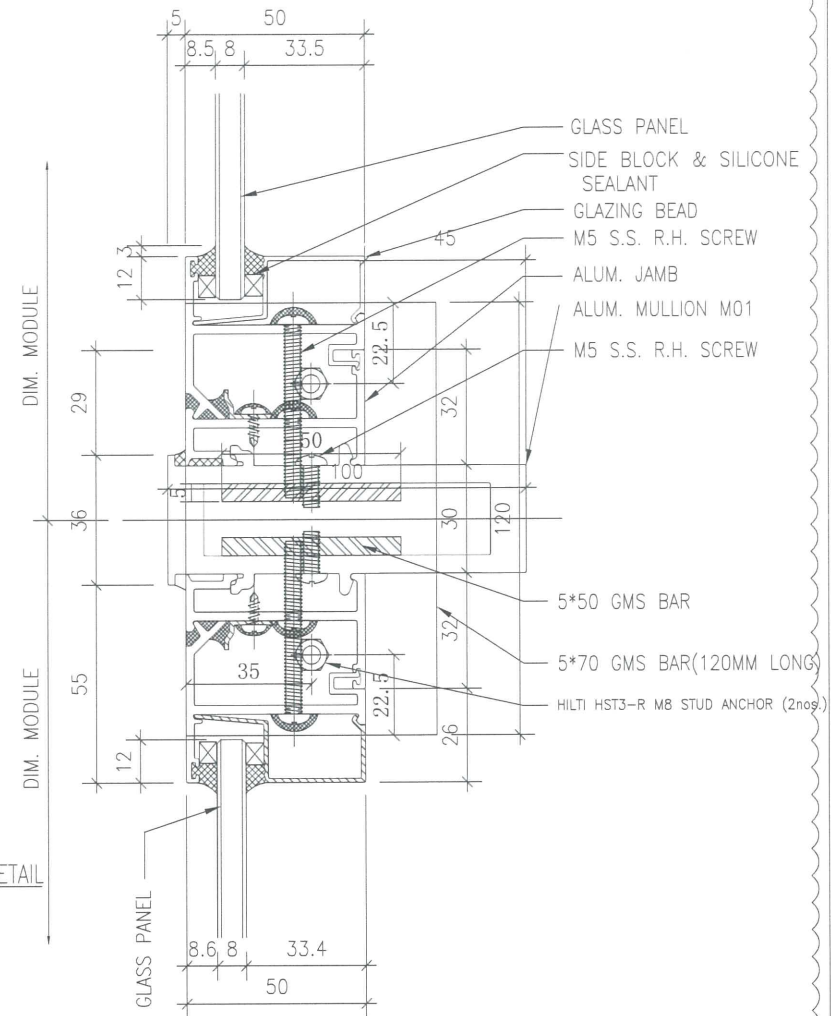
B.D. REF :			
CLIENT : 信和置業有限公司 Sino Land Company Limited			
ARCHITECT : WONG TUNG & PARTNERS LIMITED ARCHITECTS & PLANNERS 			
MAIN CONTRACTOR : CR Construction Company Limited			
STRUCTURAL ENGINEER : AECOM			
FACADE CONSULTANT:			
NOTE :			
1. ALL DIMENSIONS ARE IN mm.			
2. ALL ELEVATIONS ARE VIEWED FROM OUTSIDE.			
3. ALL DIMENSIONS TO BE VERIFIED ON SITE BEFORE FABRICATION.			
LEGEND :			
(X1)	DETAIL MARK NO.		
(X001)	REFER SHEET NO.		
1. F.F.L. -- FINISHED FLOOR LEVEL			
2. S.F.L. -- STRUCTURAL FLOOR LEVEL			
3. (R) -- REVERSED DETAIL			
B	2018/11/20	BY ARCHITECT COMMENT	Zeng
A	2018/11/2	BY ARCHITECT COMMENT	Zeng
NO.	DATE	REVISED	BY
JOB NO. :		J-837	
PROJECT :			
URA KWUN TONG TOWN CENTRE REDEVELOPMENT (AREA 2 & 3) AT NKIL 6514, KWUN TONG, KOWLOON			
TITLE :			
TYPICAL DETAIL FOR IN-SITU ALUM. WINDOW (IN-SITU WINDOW)			
DATE : 09-JUL-18		SCALE : 1:2	
DRAWN BY : Zeng		CHECKED BY : DW	
美特鋁質有限公司 MIDI ALUMINIUM FABRICATOR LTD. Units 6-8, Sunray Industrial Centre, 1/F 610 Cha Kwo Ling Road, Kowloon Tel: 23489211-4 Fax: (852) 27727666			
DWG NO. : JB37-IW-6004		REV. : B	



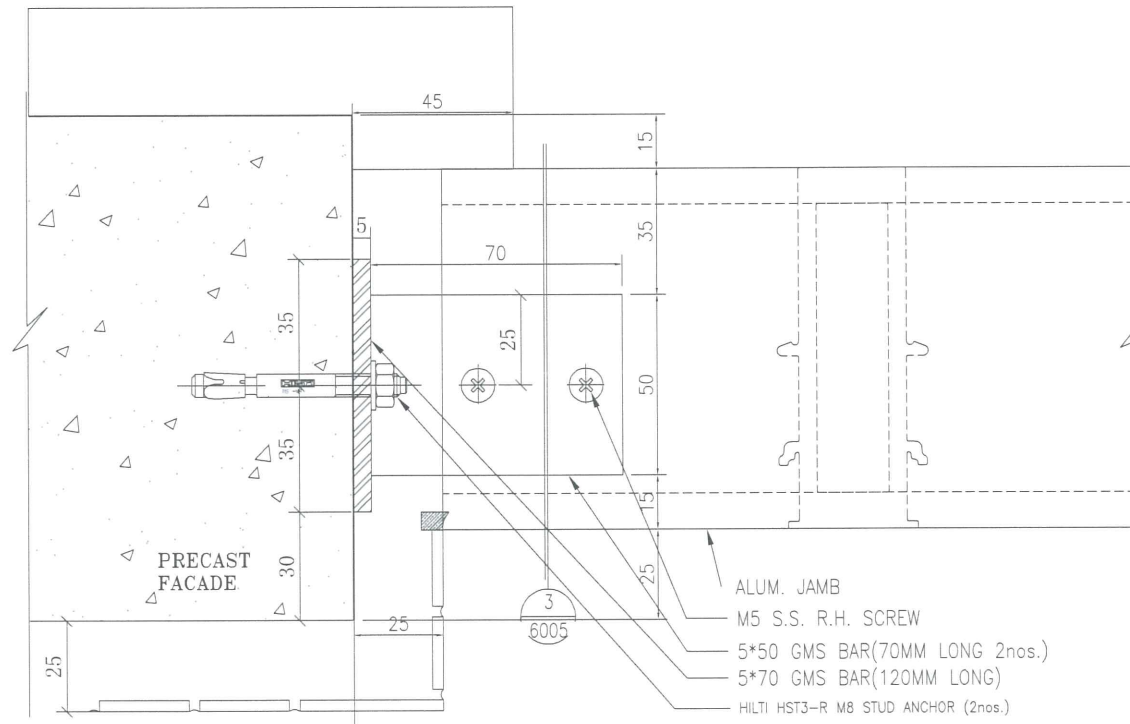
2 VERTICAL DETAIL
6005 tiles finish



1 VERTICAL DETAIL
6005



3 VERTICAL DETAIL
6005



4 VERTICAL DETAIL
6005 tiles finish

P1 FIX DETAIL

B.D. REF :

CLIENT :
信和置業有限公司
Sino Land Company Limited

ARCHITECT :
WONG TUNG & PARTNERS LIMITED
ARCHITECTS & PLANNERS

MAIN CONTRACTOR :
CR Construction Company Limited

STRUCTURAL ENGINEER :
AECOM

FACADE CONSULTANT:

NOTE :

1. ALL DIMENSIONS ARE IN mm.
2. ALL ELEVATIONS ARE VIEWED FROM OUTSIDE.
3. ALL DIMENSIONS TO BE VERIFIED ON SITE BEFORE FABRICATION.

LEGEND :

- X1 --- DETAIL MARK NO.
- X001 --- REFER SHEET NO.

1. F.F.L. --- FINISHED FLOOR LEVEL
2. S.F.L. --- STRUCTURAL FLOOR LEVEL
3. (R) --- REVERSED DETAIL

A	2019/5/2	BY ARCHITECT COMMENT	Zeng
NO.	DATE	REVISED	BY

JOB NO. : J-837
PROJECT :
URA KWUN TONG TOWN CENTRE
REDEVELOPMENT (AREA 2 & 3) AT
NKIL 6514, KWUN TONG, KOWLOON

TITLE :
TYPICAL DETAIL FOR
IN-SITU ALUM. WINDOW
(IN-SITU WINDOW)

DATE : 09-JUL-18 SCALE : 1:2
DRAWN BY : Zeng CHECKED BY : DW

美特鋁質有限公司
MIDI ALUMINIUM FABRICATOR LTD.
Units 6-8, Sunray Industrial Centre, 1/F
610 Cho Kwo Ling Road, Kowloon
Tel: 23489211-4 Fax: (852) 27727666

DWG NO. : JB37-IW-6005 REV. : A

6/5/19 N