

工程指示 / 要求簡箋(E.I.)

工程指示編號：EI / 0360 / 19 修改版次：
 工程編號：J - 837 工程名稱：觀塘裕民坊
 工程項目：Plenum Box One Way Flap 報價
 收件人：楠哥 發件人：Bessie Lau 日期：27/03/2019

要求提供 / 確認 事項：

- | | | |
|------------------------------------|-------------------------------------|-------------------------------|
| <input type="checkbox"/> 初步鋁料 B.M. | <input type="checkbox"/> 加工拆圖，然後生產 | <input type="checkbox"/> 尺寸表 |
| <input type="checkbox"/> 正式鋁料 B.M. | <input type="checkbox"/> 技術上資料 / 指示 | <input type="checkbox"/> 報價 |
| <input type="checkbox"/> 配件 B.M. | <input type="checkbox"/> 樣辦或貨品說明書 | <input type="checkbox"/> 分判合約 |
| <input type="checkbox"/> 其他：_____ | | |

內容：

煩請按此報價 (one way flap 型號: NR-125)

附大圖(橙色位置要安裝 one way flap)

除了圖號 J837-PB-2116 之外，所有要裝上 ONE WAY FLAP 的喉咀都是 123mm，而 ONE WAY FLAP 直徑都是 117mm(常規款)。

圖號 J837-PB-2116 中，要裝上 ONE WAY FLAP 的喉咀是 98mm，而 ONE WAY FLAP 直徑是 92mm，這個不是常規款，要收開模費。

請在 _____ 前完成上列要求。

附有關圖紙 / 文件：

以上項目為：

- 原合約工程包 原合約工程加 / 減賬 新工程報價

原因：-

分發東莞各部門：

- () 生產技術總監 連附件 () 技術部 連附件 () 生產部 連附件 () 機械設計部 連附件
 () 採購部 連附件 () 生產統籌部 連附件
 () 質檢部 連附件 () 會計部 連附件 () 報關組 連附件 () 其他 _____ 連附件

分發香港各部門：

- () 行政部 連附件 () 會計部 連附件 () 統籌部 連附件 () 工程部地盤科文 連附件
 () 採購部 連附件 () QS 部 連附件 () 維修部 連附件 () 其他 _____ 連附件

傳遞編號：

發件人簽署：

項目經理簽署：

From: "Dennis Ling" <dennisling@sino.com>
To: "midi@midiltd.com.hk" <midi@midiltd.com.hk>, "marcotam@midiltd.com.hk" <marcotam@midiltd.com.hk>, "jason Leung" <jason.lcs.midi@gmail.com>
Subject: NKIL6514 [MC Tower] - Plastic Exhaust Louver(Huge Power) Catalogue
Date sent: Mon, 25 Mar 2019 06:10:40 +0000
Copies to: "Gordon Ng" <gordonng@sino.com>, "Daisy Au" <daisyau@sino.com>, "Tsang Tsz Leung" <tsangtszleung@sino.com>, "Lam Yiu Hung" <lamyihung@sino.com>, "Lau Yiu" <lauyiu@sino.com>, "Herbert Thung" <herbertthung@sino.com>

From: "Dennis Ling" <dennisling@sino.com>
To: "midi@midiltd.com.hk" <midi@midiltd.com.hk>, "marcotam@midiltd.com.hk" <marcotam@midiltd.com.hk>, "jason Leung" <jason.lcs.midi@gmail.com>
Subject: NKIL6514 [MC Tower] - Plastic Exhaust Louver(Huge Power) Catalogue
Date sent: Mon, 25 Mar 2019 06:10:40 +0000
Copies to: "Gordon Ng" <gordonng@sino.com>, "Daisy Au" <daisyau@sino.com>, "Tsang Tsz Leung" <tsangtszleung@sino.com>, "Lam Yiu Hung" <lamyihung@sino.com>, "Lau Yiu" <lauyiu@sino.com>, "Herbert Thung" <herbertthung@sino.com>

Dear Macro

As per our telecon this morning, please provide quotation ASAP for the supply and installation of one way flap (model: NR-125) onto all the plenum boxes. The supplier information is printed on the page 1 of the job reference attached with this mail.

However, pls carry out the works immediately for mock-up floor at 8/F of all towers due to the urgency.

Dear Gordon

By copy of this, pls kindly arrange the consultant to issue AI to MIDI.

Dennis

寄件者: Gordon Ng
寄件日期: 2019年3月25日 13:09
收件者: Dennis Ling
主旨: FW: Plastic Exhaust Louver(Huge Power) Catalogue

Dear Dennis,

FYI. Thanks.

Gordon

Wan Lee Engineering Co Ltd / Huge Power(Universal)Ltd
 Flat J, 6/FL., Block A,Marvel Industrial Building
 25-31,Kwai Fung Crescent, Kwai Chung, N.T.
 Tel:27774843 wanleeivan@hotmail.com

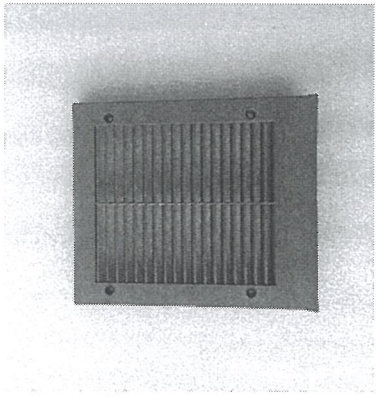
} One way flow Supplier

Job Reference Supply and Installation of Exhaust Louver

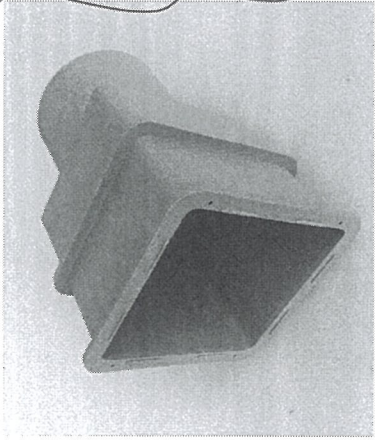
項目名稱	發展商/建築公司	產品型號	年份
Kau Wah Kent	Cheung Kong	WL835	2002
T.M.T.L.386	俊和建築	WL9928	2002
Tin Shui Wai Lot 27	Cheung Kong	度位定做	2002
NKIL 6338 Sham Mong Road	恆隆	WL304	2003
KIL 11152 Hoi Fan Road	恆隆	WL304	2004
TWTL 395	Cheung Kong/中國海外	WL304	2004
KIL 4013	Cheung Kong	WL835	2004
Tsing Yi Hoter	Hutchison Whampoa	度位定做	2004
蔚悅庭	新鴻基	HP6663	2005
Tin Shui Wai Lot 24	Cheung Kong/顯利建築	WL835	2005
55,Garden Road	興勝建築	WL9928	2005
歌和老街	信和/中國海外	WL9928	2006
IL8873,33 Ka Wai Man Road	九龍建築	WL304	2006
TWTL 398,Tai Ho Road/Yeung Uk Road	信和/中國海外	HP6663	2006
S.T.T.L. 510 Tung Lo Wan Hill Road,Shatin,N.T.	信和/中國海外	HP6663	2006
Tai Hang Drive	長江/俊和建築	度位定做	2006
440-450 Prince Edward Road	新世界/協興建築	WL304	2006
澳門黑沙灣中街R+R1上蓋(寰宇天下)	中國海外	HP6663	2007
Tung Chung Stction Development C450	安保建築	HP6663	2007
464-474 Castle Peak Road	信和	WL9928	2007
305 Castle Peak Road	信和	WL9928	2007
181-185 Fuk Wing Street	信和	WL9928	2007
6-12A Sai wan Ho Street	泰昇建築	HP6663	2007
394 Tsuen Wan	信和/中國海外	HP6663	2008
TKOTL 70 Area 86,Site F	長江/安保建築	WL304	2008
YLTL 515 Ma Tin Road	新世界/協興建築	WL304	2008

Huge Power Plastic Exhaust Louver

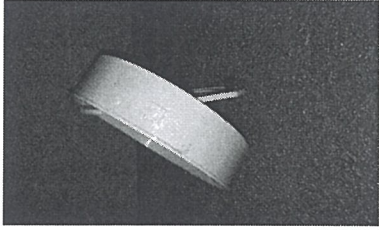
Model : WL 9928



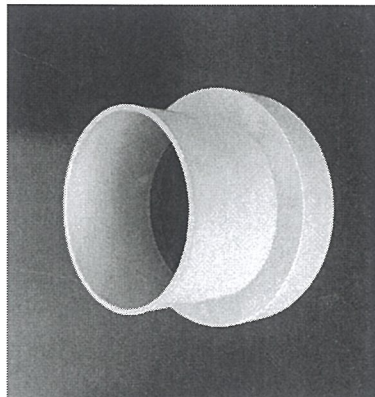
Model 9928:172mm Wx205mm Hx15mm D



Model 9928:160mm Wx175mm Hx250mm D



One way flap Model:NR-125



Adapter Model:R-125/98
125mm diax 98mm dia

Details : Extension pipe available.

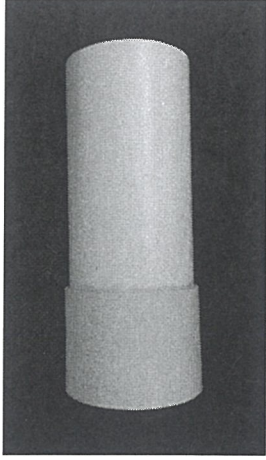
Tube Connection : D98 -- 125mm

Fastening Device:Grade 316 SS Screw

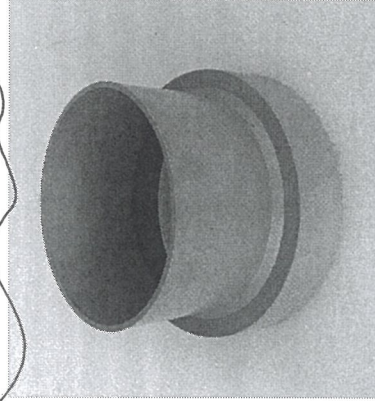
Colour : Any Colour Matching

Material : UV-resistant and Retardant Plastic

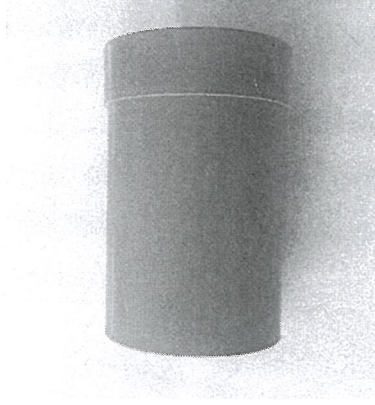
Country of origin : China



Extension Pipe Model:P-125
125mm dia x -----Long



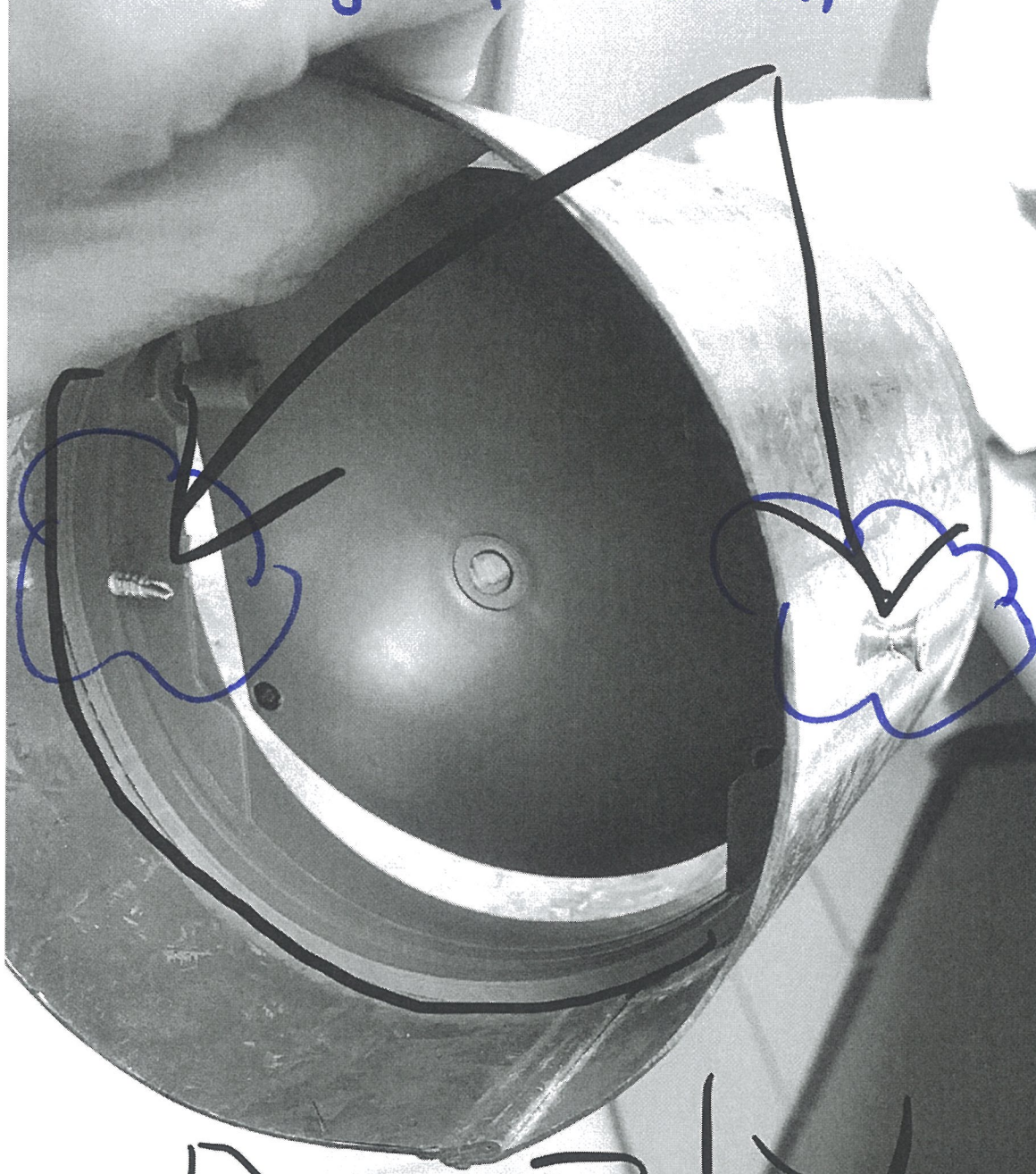
Adapter Model:R-150/125
125mm diax 150mm dia



Extension Pipe Model:F-125/200
125 mm diax200mm(L)

Adapter Model:R-125/119
125mm diax 119mm dia

Plenum Box 噴咀左右兩邊要開孔以供
One way flap 收螺絲



APPLY
Sealant

PROJECT :

URA KWUN TONG TOWN CENTRE
REDEVELOPMENT (AREA 2 & 3) AT NKIL 6514, KWUN TONG, KOWLOON

2

TITLE : SHOP DRAWING FOR
ALUMINIUM AIR PLENUM BOX (FOR TOWER 1 TO TOWER 5) (FROM 6/F TO 55/F)

DATE: 22 - FEB - 2019

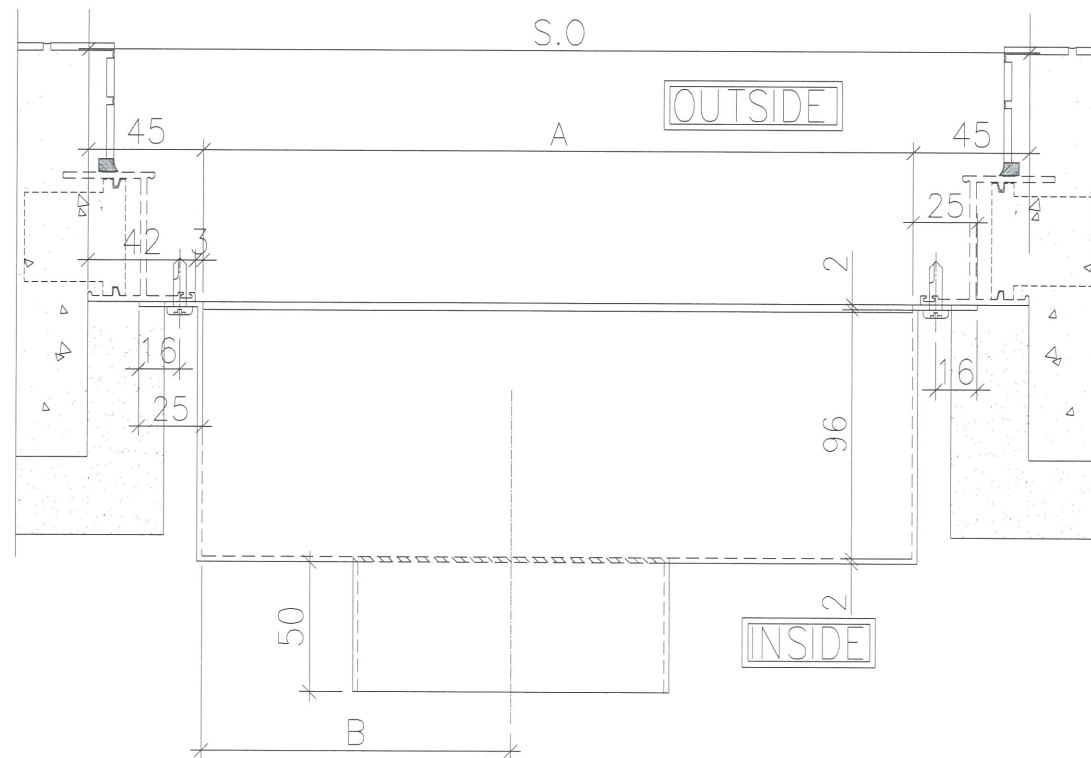
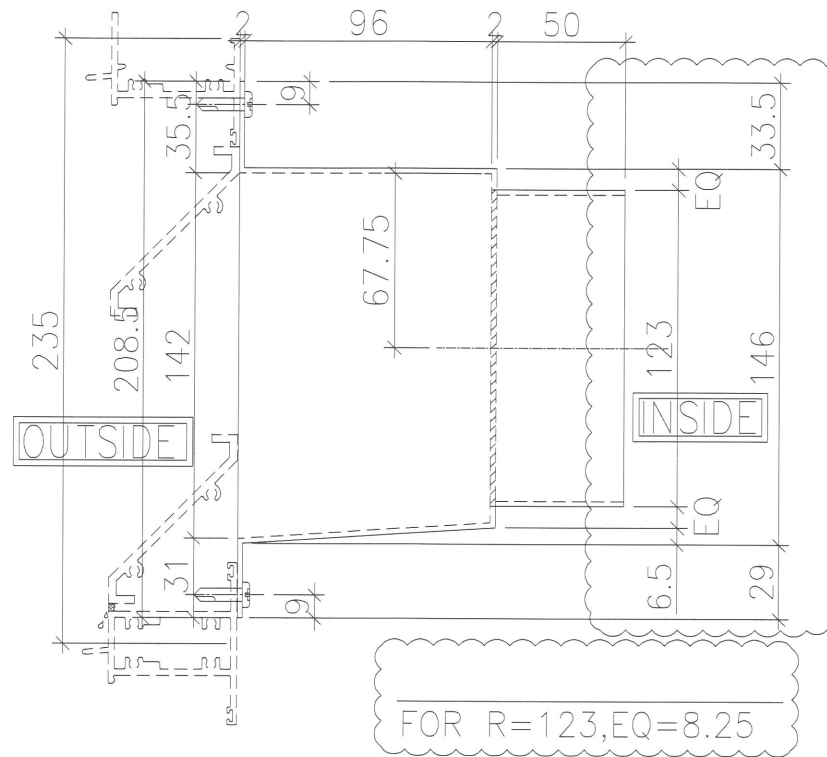
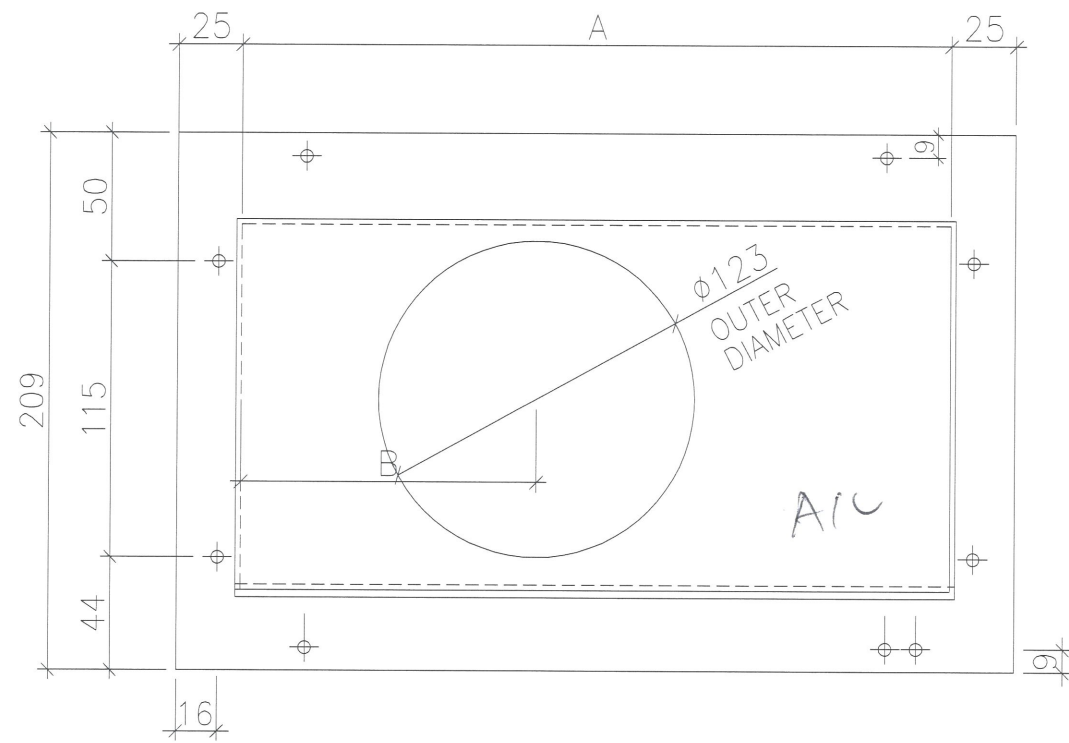
DRAWING SUBMISSION REGISTER

PROJECT: URA KWUN TONG TOWN CENTRE REDEVELOPMENT (AREA 2 & 3) AT NKIL 6514, KWUN TONG, KOWLOON TITLE: SHOPDRAWING FOR ALUMINIUM AIR PLENUM BOX	DATE OF ISSUE				SUBMISSION STATE <small>(FOR B.D / A.S.D)</small>			SUBMISSION STATE <small>(FOR CLIENT / CONSULTANT)</small>			SUBMISSION STATE <small>(FOR ARCHITECT)</small>			FABRICATION / CONSTRUCTION STATE						
	ISSUE	01	02		AP - APPROVED			AP - APPROVED			AP - APPROVED			ISSUE TO CHINA OFFICE		ISSUE TO SITE		ISSUE TO SUB-CONTRACTOR		
	DAY	22	13		AC - APPROVED SUB. TO CONDITION			AC - APPROVED SUB. TO CONDITION			AC - APPROVED SUB. TO CONDITION									
	MONTH	01	02		NA - NOT APPROVED			NA - NOT APPROVED			NA - NOT APPROVED									
	YEAR	19	22																	
DRAWING TITLE	DWG. NO.	REVISIONS				COMMENT DATE	REV.	STATE	COMMENT DATE	REV.	STATE	COMMENT DATE	REV.	STATE	REV.	DATE	REV.	DATE	REV.	DATE
COVERPAGE	J-837-PB-0000	-	A																	
DRAWING SUBMISSION REGISTER	J-837-PB-0001	-	A																	
ALUMINIUM AIR PLENUM BOX SCHEDULE	J-837-PB-2101	-	A																	
ALUMINIUM AIR PLENUM BOX SCHEDULE	J-837-PB-2102	-	A																	
ALUMINIUM AIR PLENUM BOX SCHEDULE	J-837-PB-2103	-	A																	
ALUMINIUM AIR PLENUM BOX SCHEDULE	J-837-PB-2104	-	A																	
ALUMINIUM AIR PLENUM BOX SCHEDULE	J-837-PB-2105	-	A																	
ALUMINIUM AIR PLENUM BOX SCHEDULE	J-837-PB-2106	-	A																	
ALUMINIUM AIR PLENUM BOX SCHEDULE	J-837-PB-2107	-	A																	
ALUMINIUM AIR PLENUM BOX SCHEDULE	J-837-PB-2108	-	A																	
ALUMINIUM AIR PLENUM BOX SCHEDULE	J-837-PB-2109	-	A																	
ALUMINIUM AIR PLENUM BOX SCHEDULE	J-837-PB-2110	-	A																	
ALUMINIUM AIR PLENUM BOX SCHEDULE	J-837-PB-2111	-	A																	
ALUMINIUM AIR PLENUM BOX SCHEDULE	J-837-PB-2112	-	A																	
ALUMINIUM AIR PLENUM BOX SCHEDULE	J-837-PB-2113	-	A																	
ALUMINIUM AIR PLENUM BOX SCHEDULE	J-837-PB-2114	-	A																	
ALUMINIUM AIR PLENUM BOX SCHEDULE	J-837-PB-2115	-	A																	
ALUMINIUM AIR PLENUM BOX SCHEDULE	J-837-PB-2116	-	A																	
ALUMINIUM AIR PLENUM BOX SCHEDULE	J-837-PB-2117	-	A																	
ALUMINIUM AIR PLENUM BOX SCHEDULE	J-837-PB-2118	-																		
ALUMINIUM AIR PLENUM BOX SCHEDULE	J-837-PB-2119	-																		
ALUMINIUM AIR PLENUM BOX SCHEDULE	J-837-PB-2120	-																		
ALUMINIUM AIR PLENUM BOX SCHEDULE	J-837-PB-2121	-																		
ALUMINIUM AIR PLENUM BOX SCHEDULE	J-837-PB-2122	-																		
FULL PLAN LAYOUT(FOR T1 6/F FLOOR PLAN)	J-837-PB-3101	-	-																	
FULL PLAN LAYOUT(FOR T1 TYPICAL FLOOR PLAN)	J-837-PB-3102	-	-																	
FULL PLAN LAYOUT(FOR T1 50/F FLOOR PLAN)	J-837-PB-3103	-	-																	
FULL PLAN LAYOUT(FOR T2 6/F FLOOR PLAN)	J-837-PB-3201	-	-																	
FULL PLAN LAYOUT(FOR T2 TYPICAL FLOOR PLAN)	J-837-PB-3202	-	-																	
FULL PLAN LAYOUT(FOR T2 55/F FLOOR PLAN)	J-837-PB-3203	-	A																	
FULL PLAN LAYOUT(FOR T3 6/F FLOOR PLAN)	J-837-PB-3301	-	-																	
FULL PLAN LAYOUT(FOR T3 TYPICAL FLOOR PLAN)	J-837-PB-3302	-	-																	
FULL PLAN LAYOUT(FOR T3 52/F FLOOR PLAN)	J-837-PB-3303	-	-																	
FULL PLAN LAYOUT(FOR T5 6/F FLOOR PLAN)	J-837-PB-3501	-	-																	
LOW ZONE LAYOUT(FOR T5 7/F-21/F FLOOR PLAN)	J-837-PB-3502	-	-																	
HIGH ZONE LAYOUT(FOR T5 22/F-26F&28/F-50F FLOOR PLAN)	J-837-PB-3503	-	-																	
FULL PLAN LAYOUT(FOR T5 51/F FLOOR PLAN)	J-837-PB-3504	-	A																	

IN-HOUSE DESIGN CHECKER



MIDI ALUMINIUM FABRICATOR LTD.
 Units 6-8, Sunray Industrial Centre, 1/F
 610 Cha Kwo Ling Road, Kowloon
 Tel:23489211-4 Fax:(852)27727666



BOX NO.	S. O	A	B	QTY.	LOCATION	WINDOW NO.
T1P/L-B	600	510	150	39	6F~50F	TIW/L-2
T1P/M-B	600	510	360	39	6F~50F	TIW/M-1
T1P/E-B	600	510	150	39	6F~50F	TIW/E-1
T2P/F-B	600	510	360	43	6F~55F	T2W/F-1
T2P/E-B	600	510	150	43	6F~55F	T2W/E-2
T3P/M-B	600	510	360	41	6F~52F	T3W/M-1
T3P/L-B	600	510	150	41	6F~52F	T2W/L-2
T5P/H-B	600	510	360	39	6F~50F	T5W/H-4
T5P/E-B	600	510	360	40	6F~51F	T5W/E-1
T5P/D-B	600	510	150	40	6F~51F	T5W/D-2

B.D. REF :

CLIENT :
 信和置業有限公司
 Sino Land Company Limited

ARCHITECT :
 WONG TUNG & PARTNERS LIMITED
 ARCHITECTS & PLANNERS

MAIN CONTRACTOR :
 CR Construction Company Limited

STRUCTURAL ENGINEER :
 AECOM

FACADE CONSULTANT:

NOTE :
 1. ALL DIMENSIONS ARE IN mm.
 2. ALL ELEVATIONS ARE VIEWED FROM OUTSIDE.
 3. ALL DIMENSIONS TO BE VERIFIED ON SITE BEFORE FABRICATION.

LEGEND :
 --- DETAIL MARK NO.
 --- REFER SHEET NO.
 1. F.F.L. --- FINISHED FLOOR LEVEL
 2. S.F.L. --- STRUCTURAL FLOOR LEVEL
 3. --- REVERSED DETAIL

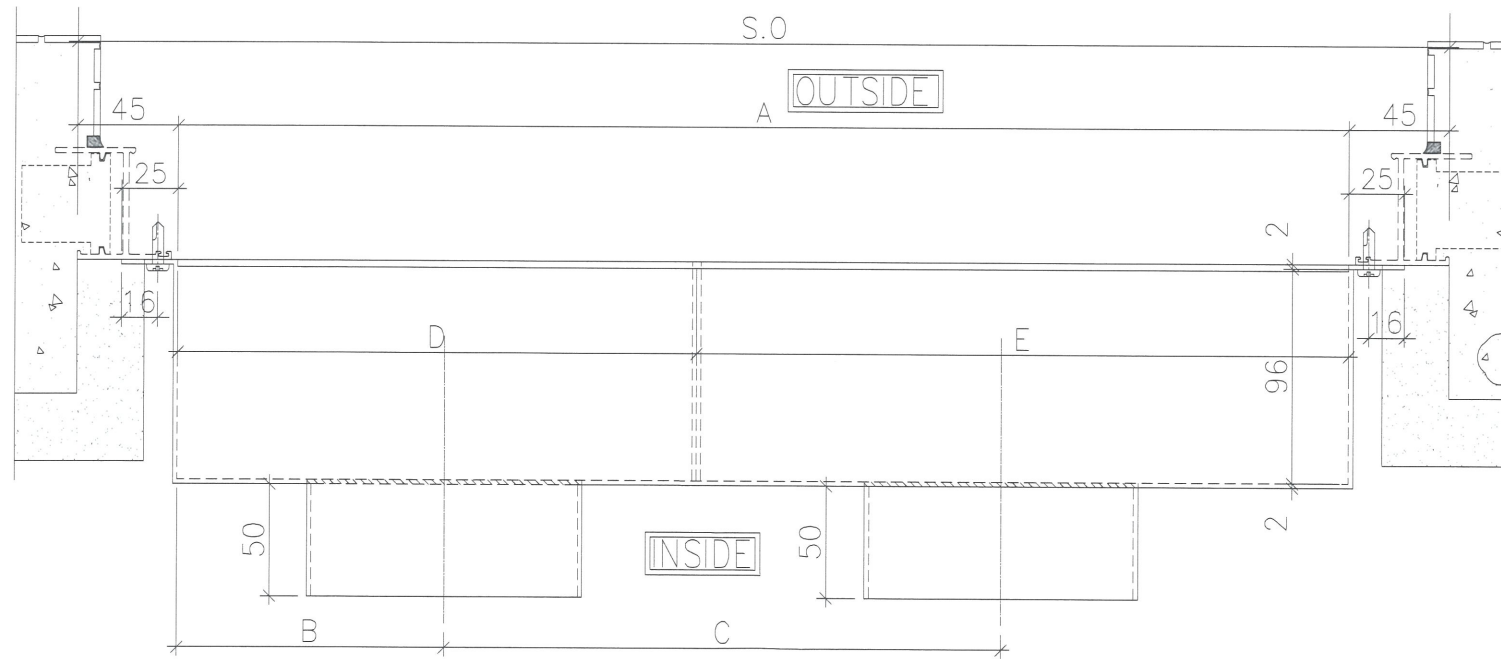
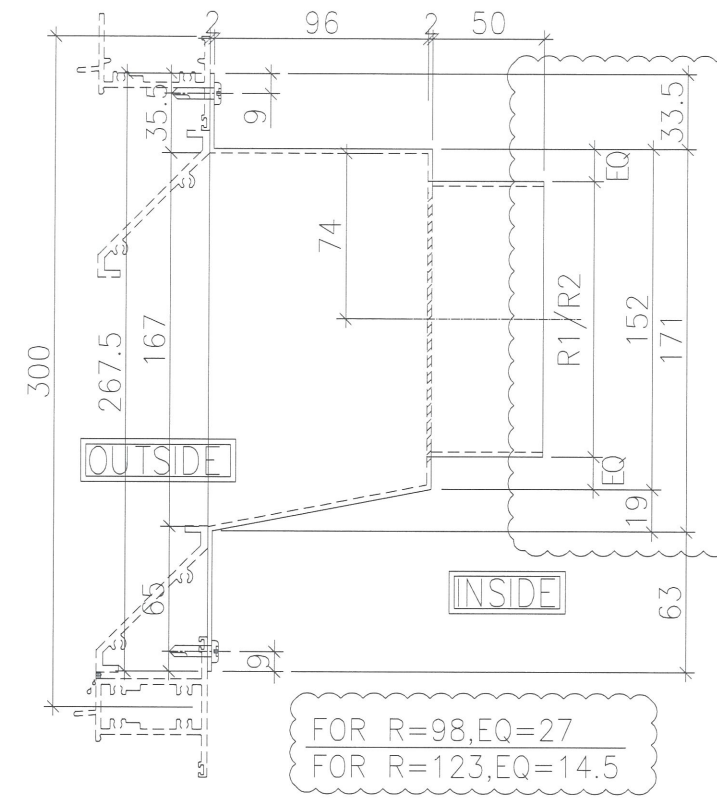
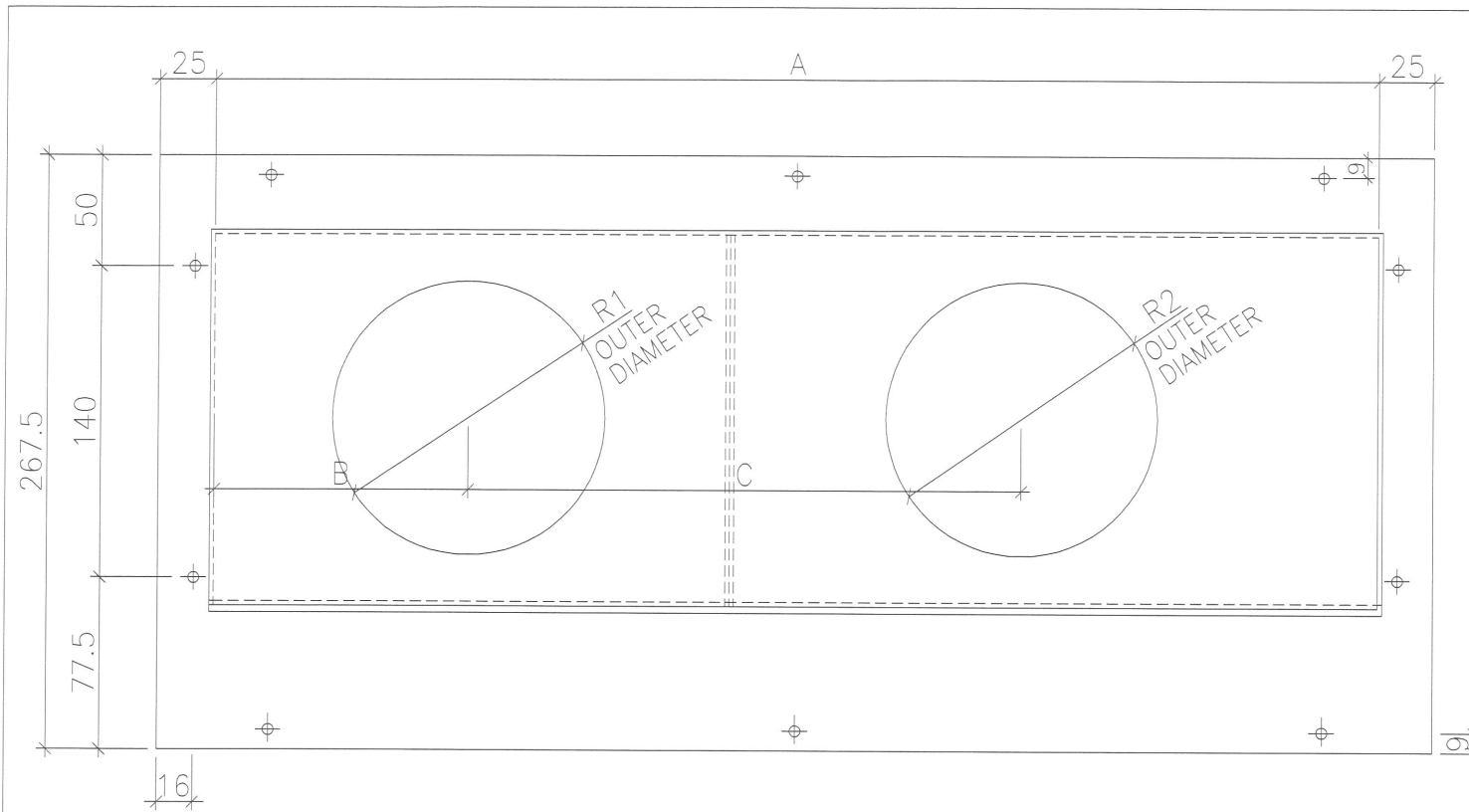
NO.	DATE	GENERAL REVISION	REVISOR	BY
A	2019/2/13			Zeng

JOB NO. : J-837
 PROJECT :
 URA KWUN TONG TOWN CENTRE
 REDEVELOPMENT (AREA 2 & 3) AT
 NKIL 6514, KWUN TONG, KOWLOON

TITLE :
 TOWER AIR PLENUM BOX SCHEDULE
 (PRECAST FOR BATHROOM)

DATE : 04-JUL-18 SCALE : 1:##
 DRAWN BY : Zeng CHECKED BY : DW

美特鋁質有限公司
 MIDI ALUMINIUM FABRICATOR LTD.
 Units 6-8, Sunray Industrial Centre, 1/F
 610 Cha Kwo Ling Road, Kowloon
 Tel:23489211-4 Fax:(852)27727666
 DWG NO. : JB37- PB-2101 REV. : A



A/C
抽油煙機
(one way flap)

BOX NO.	S.O	A	B	C	D	E	R1	R2	QTY.	LOCATION	WINDOW NO.
T1P/M-K	700	610	125	230	250	360	123	98	39	6F~50F	T1W/M-2
T1P/L-K	700	610	260	225	360	250	98	123	39	6F~50F	T1W/L-1
T1P/K-K	700	610	125	230	250	360	123	98	39	6F~50F	T1W/K-1
T1P/C-K	700	610	125	205	250	360	123	98	39	6F~50F	T1W/C-1
T1P/D-K	700	610	255	230	360	250	98	123	38	6F~50F	T1W/D-2
T1P/F-K	700	610	125	185	360	250	123	98	39	6F~50F	T1W/F-1
T1P/J-K	700	610	280	205	360	250	98	123	39	6F~50F	T1W/J-1
T1P/H-K	690	600	125	185	240	360	123	98	39	6F~50F	T1W/H-3
T1P/B-K	1000	910	125	305	360	350	123	98	39	6F~50F	T1W/B-1
T2P/L-K	700	610	150	335	360	250	98	123	43	6F~55F	T2W/L-1
T2P/K-K	700	610	125	285	250	360	123	98	43	6F~55F	T2W/K-1
T2P/G-K	700	610	255	230	360	250	98	123	43	6F~55F	T2W/G-1
T3P/M-K	700	610	125	200	250	360	123	98	41	6F~52F	T3W/M-2
T3P/E-K	700	610	125	305	250	360	123	98	41	6F~52F	T3W/E-3
T3P/F-K	700	610	125	220	300	310	123	98	40	6F~51F	T3W/F-1
T3P/D-K	700	610	125	320	250	360	123	98	40	6F~51F	T3W/D-2
T3P/C-K	700	610	75	465	250	360	123	98	41	6F~52F	T3W/C-1
T3P/H-K	700	610	205	280	360	250	98	123	40	6F~51F	T3W/H-1
T3P/K-K	700	610	125	225	250	360	123	98	40	6F~51F	T3W/K-1
T5P/M-K	700	610	125	200	250	360	123	98	39	6F~50F	T5W/M-3
T5P/A-K	700	610	285	200	360	250	98	123	39	6F~50F	T5W/A-3
T5P/E-K	700	610	125	225	250	360	123	98	40	6F~51F	T5W/E-2
T5P/F-K	700	610	250	235	360	250	98	123	40	6F~51F	T5W/F-1
T5P/H-K	700	610	125	190	250	360	123	98	39	6F~50F	T5W/H-3
T5P/D-K	650	560	230	230	335	225	98	123	40	6F~51F	T5W/D-1

B.D. REF :

CLIENT : 信和置業有限公司 Sino Land Company Limited

ARCHITECT : WONG TUNG & PARTNERS LIMITED ARCHITECTS & PLANNERS

MAIN CONTRACTOR : CR Construction Company Limited

STRUCTURAL ENGINEER : AECOM

FACADE CONSULTANT :

NOTE :

- ALL DIMENSIONS ARE IN mm.
- ALL ELEVATIONS ARE VIEWED FROM OUTSIDE.
- ALL DIMENSIONS TO BE VERIFIED ON SITE BEFORE FABRICATION.

LEGEND :

X1 --- DETAIL MARK NO.
X001 --- REFER SHEET NO.

1. F.F.L. --- FINISHED FLOOR LEVEL
2. S.F.L. --- STRUCTURAL FLOOR LEVEL
3. (R) --- REVERSED DETAIL

A	2019/2/13	GENERAL REVISION	Zeng
NO.	DATE	REVISED	BY

JOB NO. : J-837

PROJECT : URA KWUN TONG TOWN CENTRE REDEVELOPMENT (AREA 2 & 3) AT NKIL 6514, KWUN TONG, KOWLOON

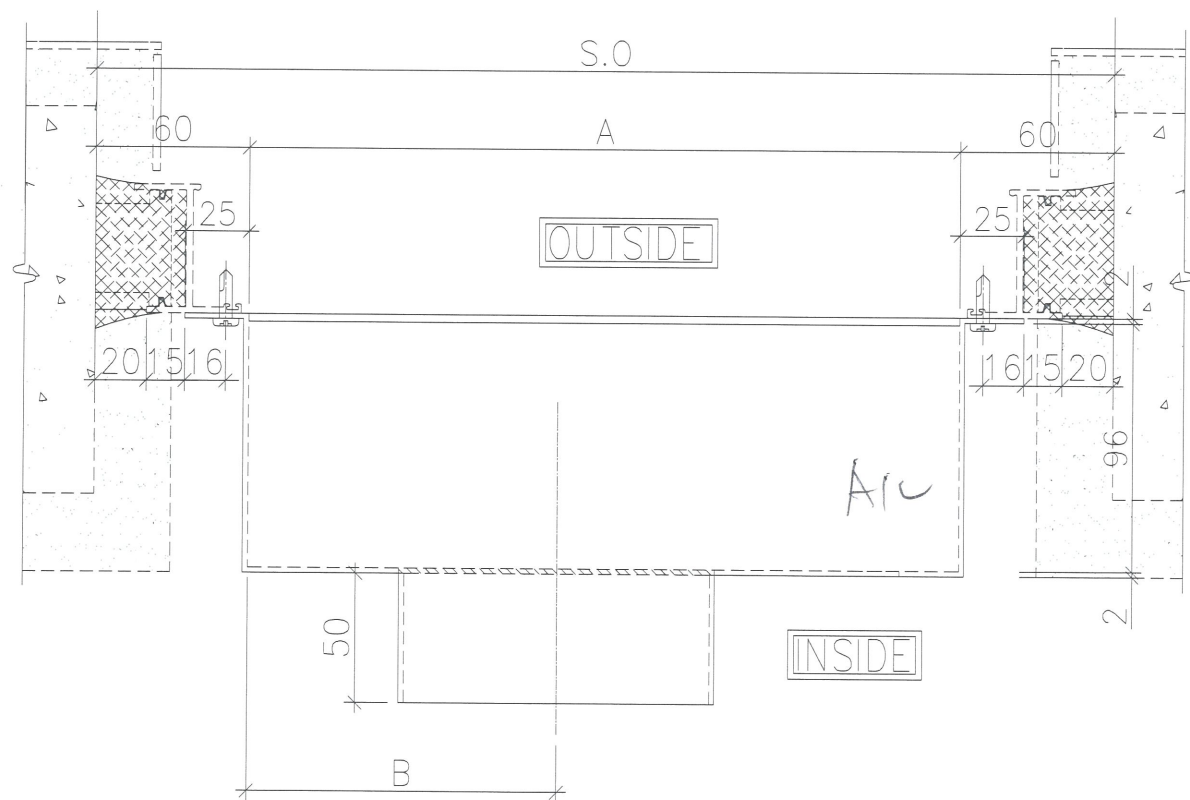
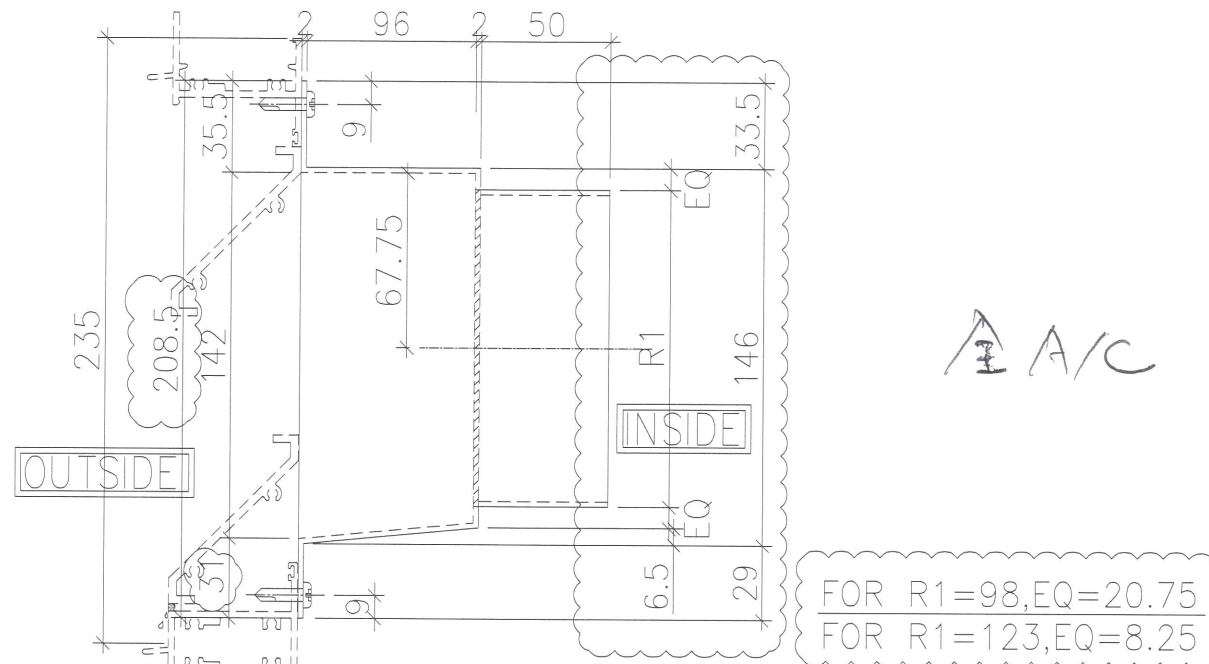
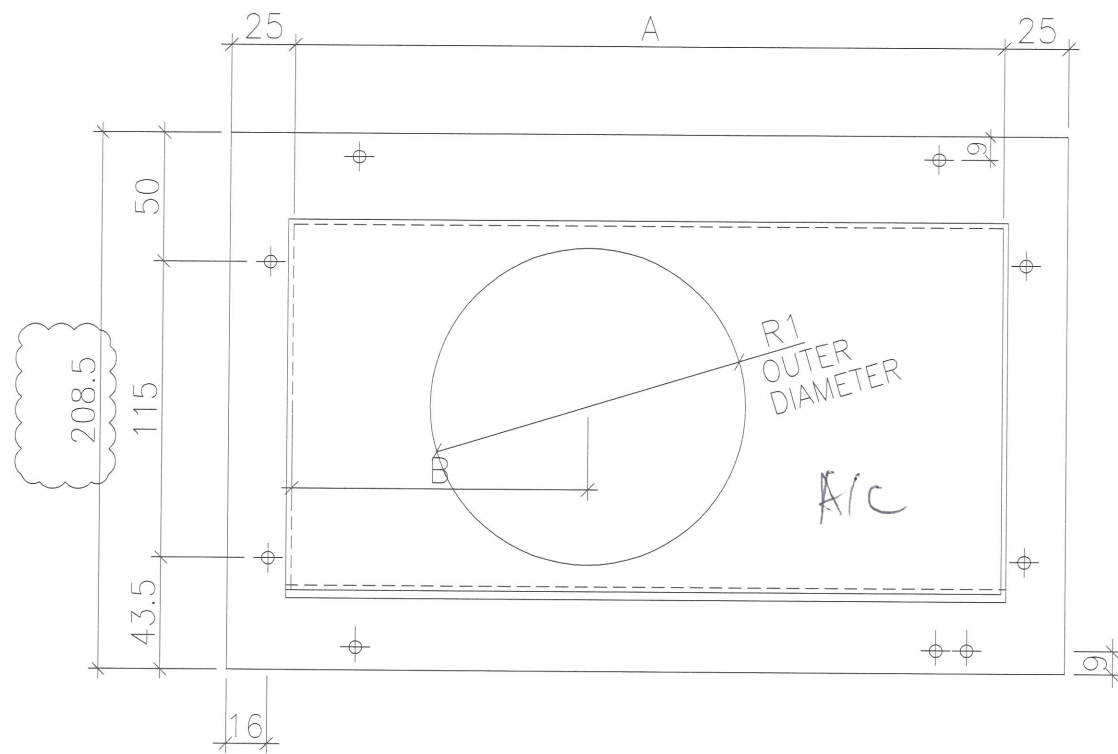
TITLE : TOWER AIR PLENUM BOX SCHEDULE (PRECAST FOR KITCHEN)

DATE : 04-JUL-18 SCALE : 1:##

DRAWN BY : Zeng CHECKED BY : DW

美特鋁質有限公司
MIDI ALUMINIUM FABRICATOR LTD.
Units 6-8, Sunray Industrial Centre, 1/F
610 Cha Kwo Ling Road, Kowloon
Tel: 23489211-4 Fax: (852) 27727666

DWG NO. : JB37- PB-2103 REV. : A



BOX NO.	S. O	A	B	R1	QTY.	LOCATION	WINDOW NO.
T1P/C-B1	585	465	315	123	39	6F~50F	T1W/C-2
T1P/C-B2	550	430	150	123	39	6F~50F	T1W/C-3
T1P/A-B	640	520	150	123	38	6F~49F	T1W/A-2
T1P/H-B1	550	430	150	123	39	6F~50F	T1W/H-2
T1P/H-B2	585	465	315	123	39	6F~50F	T1W/H-1
T1P/G-B1	640	520	370	123	39	6F~50F	T1W/G-3
T1P/G-B2	515	395	150	123	39	6F~50F	T1W/G-2
T2P/N-B	640	520	395	123	43	6F~55F	T2W/N-2
T2P/A-B2	640	520	370	123	43	6F~55F	T2W/A-5
T2P/A-B1	640	520	150	123	43	6F~55F	T2W/A-4
T2P/B-B1	640	520	370	123	43	6F~55F	T2W/B-2
T2P/B-B2	640	520	150	123	43	6F~55F	T2W/B-1
T3P/E-B1	640	520	150	123	41	6F~52F	T3W/E-1
T3P/E-B2	585	465	315	123	41	6F~52F	T3W/E-2
T3P/A-B1	640	520	150	123	41	6F~52F	T3W/A-2
T3P/B-B1	640	520	370	123	41	6F~52F	T3W/B-2
T3P/A-B2	505	385	235	123	41	6F~52F	T3W/A-3
T3P/B-B2	640	520	150	123	41	6F~52F	T3W/B-1
T5P/A-B1	640	520	420	98	38	7F~50F	T5W/A-4
T5P/M-B1	640	520	150	123	39	6F~50F	T5W/M-2
T5P/M-B2	640	520	370	123	39	6F~50F	T5W/M-1
T5P/L-B1	550	430	305	123	39	6F~50F	T5W/L-4
T5P/L-B2	585	465	150	123	39	6F~50F	T5W/L-3
T5P/F-B	585	465	150	123	40	6F~51F	T5W/F-2
T5P/G-B	640	520	200	123	39	6F~50F	T5W/G-2

B.D. REF :

CLIENT : 信和置業有限公司 Sino Land Company Limited

ARCHITECT : WONG TUNG & PARTNERS LIMITED ARCHITECTS & PLANNERS

MAIN CONTRACTOR : CR Construction Company Limited

STRUCTURAL ENGINEER : ACOM

FAÇADE CONSULTANT :

NOTE :

- ALL DIMENSIONS ARE IN mm.
- ALL ELEVATIONS ARE VIEWED FROM OUTSIDE.
- ALL DIMENSIONS TO BE VERIFIED ON SITE BEFORE FABRICATION.

LEGEND :

x1 --- DETAIL MARK NO.
x001 --- REFER SHEET NO.

- F.F.L. --- FINISHED FLOOR LEVEL
- S.F.L. --- STRUCTURAL FLOOR LEVEL
- ⊗ --- REVERSED DETAIL

A	2019/2/13	GENERAL REVISION	Zeng
NO.	DATE	REVISED	BY

JOB NO. : J-837

PROJECT : URA KWUN TONG TOWN CENTRE REDEVELOPMENT (AREA 2 & 3) AT NKIL 6514, KWUN TONG, KOWLOON

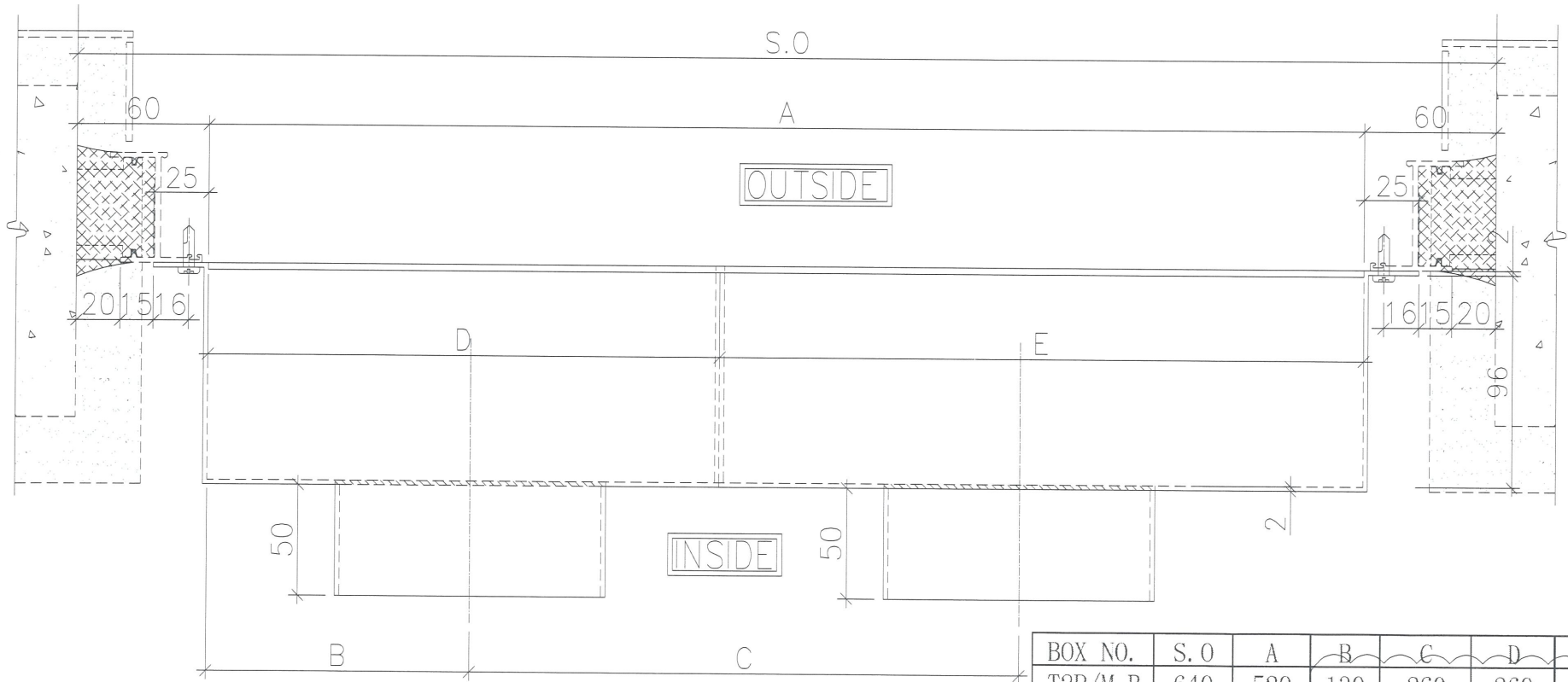
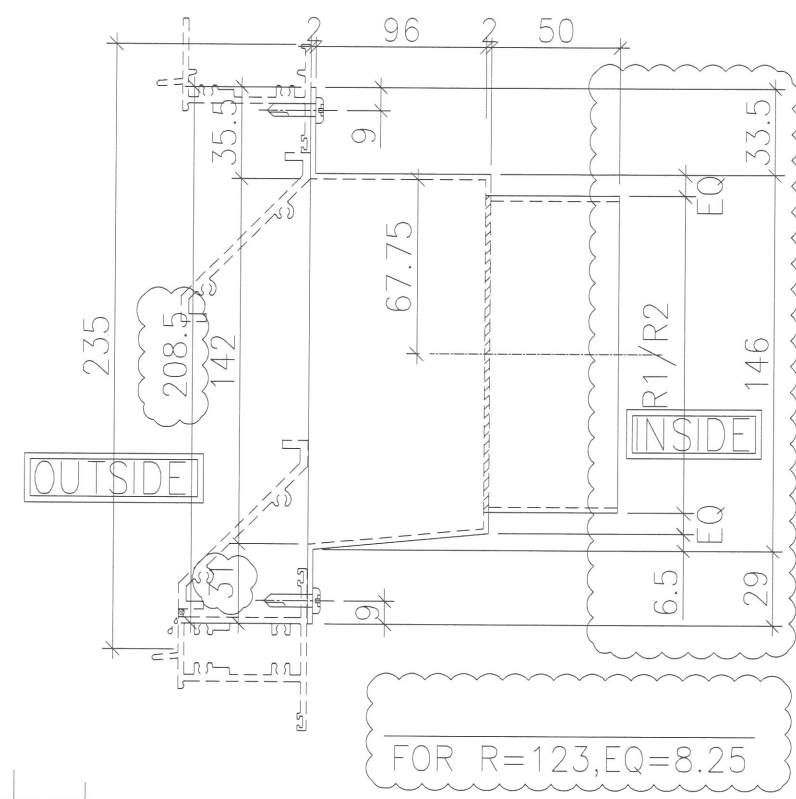
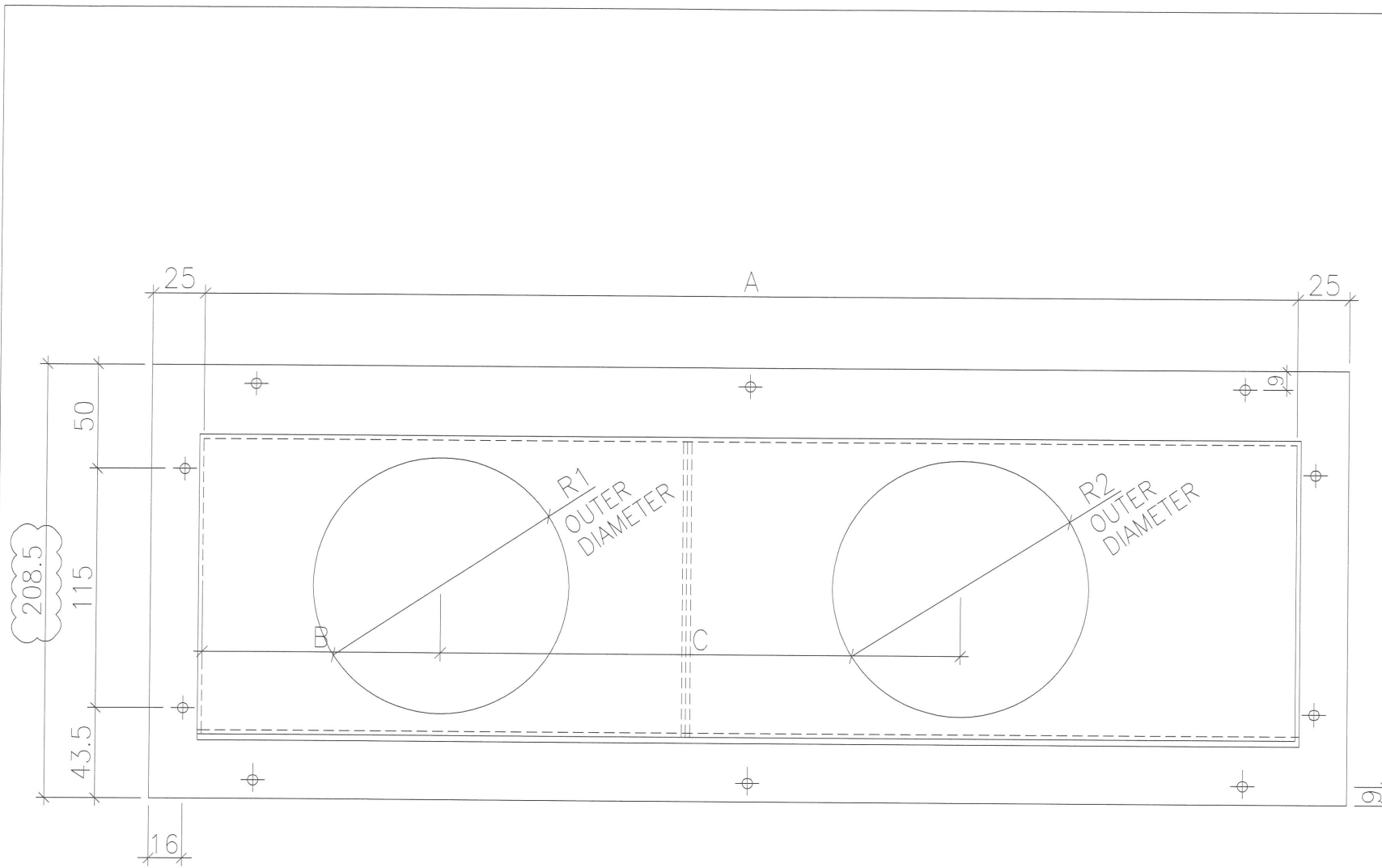
TITLE : TOWER AIR PLENUM BOX SCHEDULE (INSITU FOR BATHROOM)

DATE : 04-JUL-18 SCALE : 1:##

DRAWN BY : Zeng CHECKED BY : DW

MIDI 美特鋁質有限公司
MIDI ALUMINIUM FABRICATOR LTD.
Units 6-8, Sunray Industrial Centre, 1/F
610 Cha Kwo Ling Road, Kowloon
Tel: 23489211-4 Fax: (852) 27727666

DWG NO. : J837- PB-2104 REV. : A



BOX NO.	S. O	A	B	C	D	E	R1	R2	QTY.	LOCATION	WINDOW NO.
T2P/M-B	640	520	130	260	260	260	123	123	43	6F~55F	T2W/M-2
T5P/A-B2	640	520	130	260	260	260	123	123	39	6F~50F	T5W/A-3
T5P/N-B	585	465	115	235	232	233	123	123	39	6F~50F	T5W/N-1

全 A/C

B.D. REF :

CLIENT :
 信和置業有限公司
 Sino Land Company Limited

ARCHITECT :
 WONG TUNG & PARTNERS LIMITED
 ARCHITECTS & PLANNERS

MAIN CONTRACTOR :
 CR Construction Company Limited

STRUCTURAL ENGINEER :
 AECOM

FACADE CONSULTANT:

NOTE :
 1. ALL DIMENSIONS ARE IN mm.
 2. ALL ELEVATIONS ARE VIEWED FROM OUTSIDE.
 3. ALL DIMENSIONS TO BE VERIFIED ON SITE BEFORE FABRICATION.

LEGEND :
 X1 --- DETAIL MARK NO.
 X001 --- REFER SHEET NO.
 1. F.F.L. --- FINISHED FLOOR LEVEL
 2. S.F.L. --- STRUCTURAL FLOOR LEVEL
 3. (⊗) --- REVERSED DETAIL

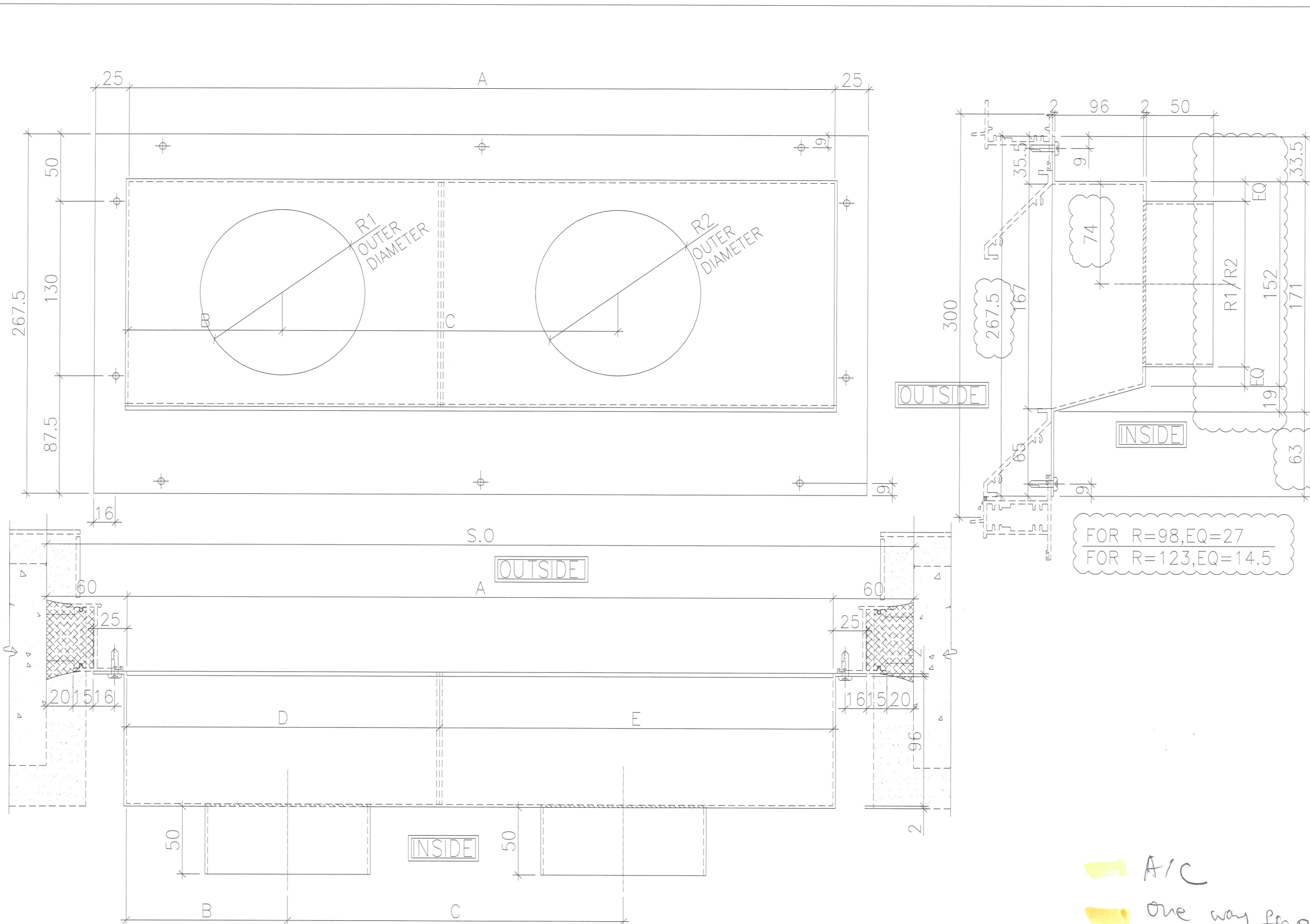
NO.	DATE	GENERAL REVISION	REVISD	Zeng	BY
A	2019/2/13				

JOB NO. : J-837
 PROJECT :
 URA KWUN TONG TOWN CENTRE
 REDEVELOPMENT (AREA 2 & 3) AT
 NKIL 6514, KWUN TONG, KOWLOON

TITLE :
 TOWER AIR PLENUM BOX SCHEDULE
 (INSITU FOR BATHROOM)

DATE : 04-JUL-18 SCALE : 1:##
 DRAWN BY : Zeng CHECKED BY : DW

美特鋁質有限公司
 MIDI ALUMINIUM FABRICATOR LTD.
 Units 6-8, Sunray Industrial Centre, 1/F
 610 Cha Kwo Ling Road, Kowloon
 Tel: 23489211-4 Fax: (852) 27727666
 DWG NO. : J837- PB-2105 REV. : A



B.D. REF :

CLIENT :
 信和置業有限公司
 Sino Land Company Limited

ARCHITECT :
 WONG TUNG & PARTNERS LIMITED
 ARCHITECTS & PLANNERS

MAIN CONTRACTOR :
 CR Construction Company Limited

STRUCTURAL ENGINEER :
 AECOM

FACADE CONSULTANT:

NOTE :
 1. ALL DIMENSIONS ARE IN mm.
 2. ALL ELEVATIONS ARE VIEWED FROM OUTSIDE.
 3. ALL DIMENSIONS TO BE VERIFIED ON SITE BEFORE FABRICATION.

LEGEND :
 X1 — DETAIL MARK NO.
 X00 — REFER SHEET NO.
 1. F.F.L. -- FINISHED FLOOR LEVEL
 2. S.F.L. -- STRUCTURAL FLOOR LEVEL
 3. (R) -- REVERSED DETAIL

A	2019/2/13	GENERAL REVISION	Zeng
NO.	DATE	REVISED	BY

JOB NO. : J-837

PROJECT :
 URA KWUN TONG TOWN CENTRE
 REDEVELOPMENT (AREA 2 & 3) AT
 NKIL 6514, KWUN TONG, KOWLOON

TITLE :
 TOWER AIR PLENUM BOX SCHEDULE
 (INSITU FOR KITCHEN)

DATE : 04-JUL-18 SCALE : 1:##

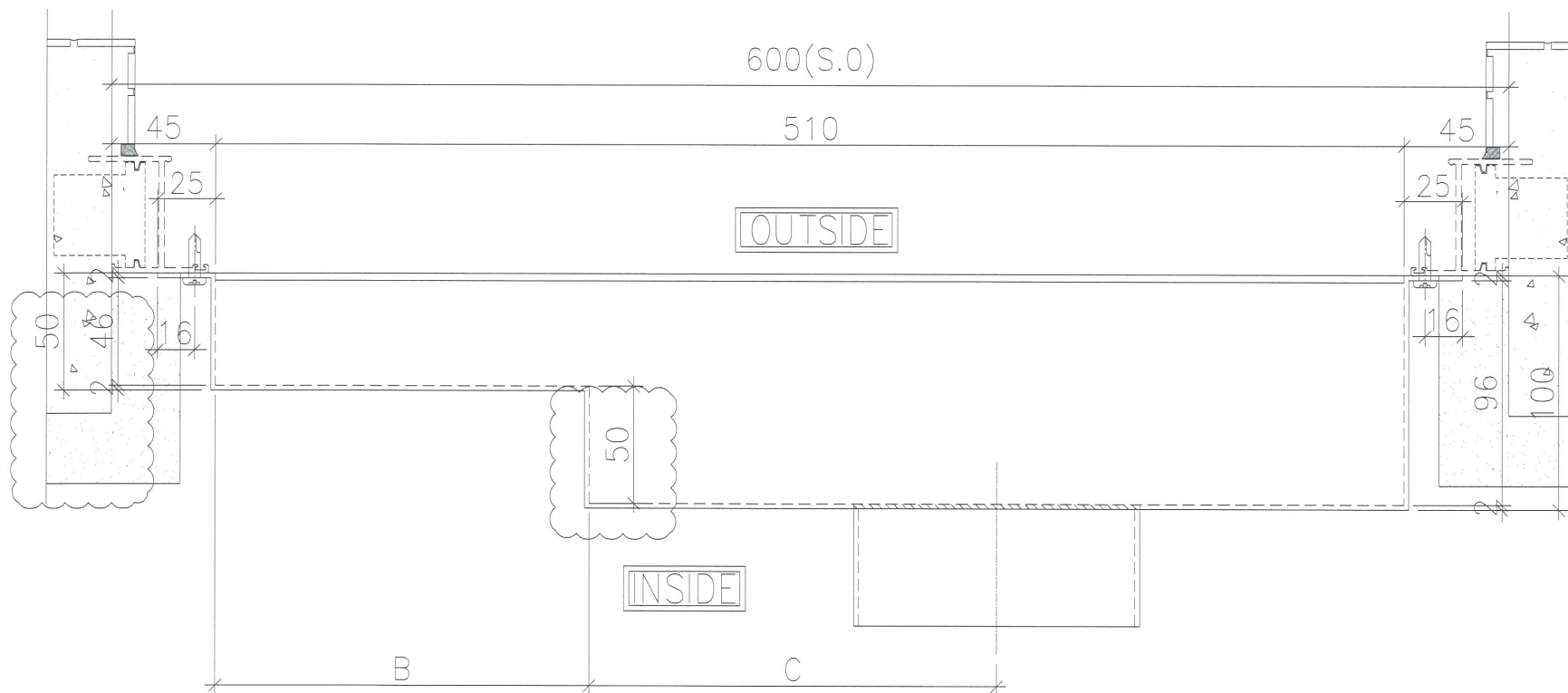
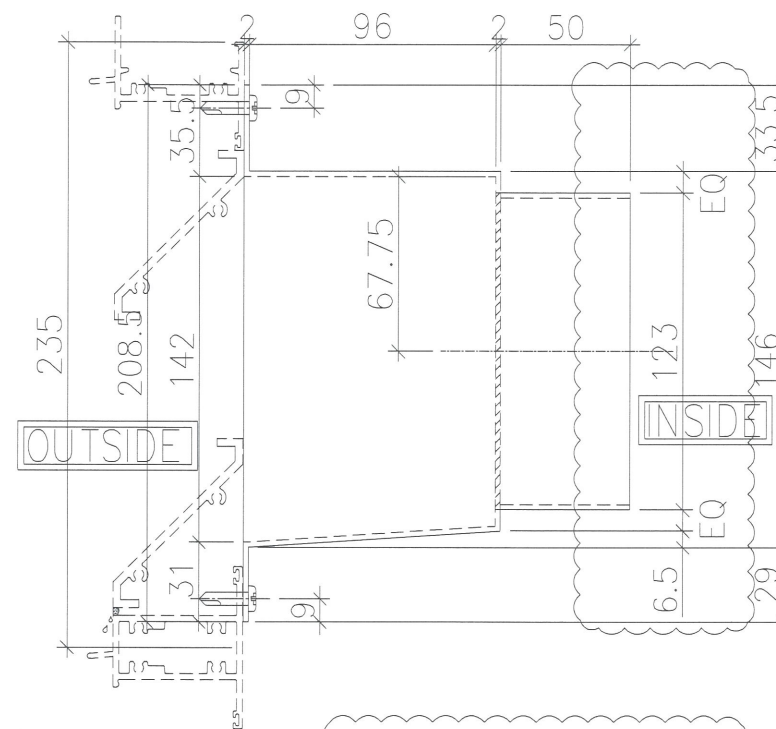
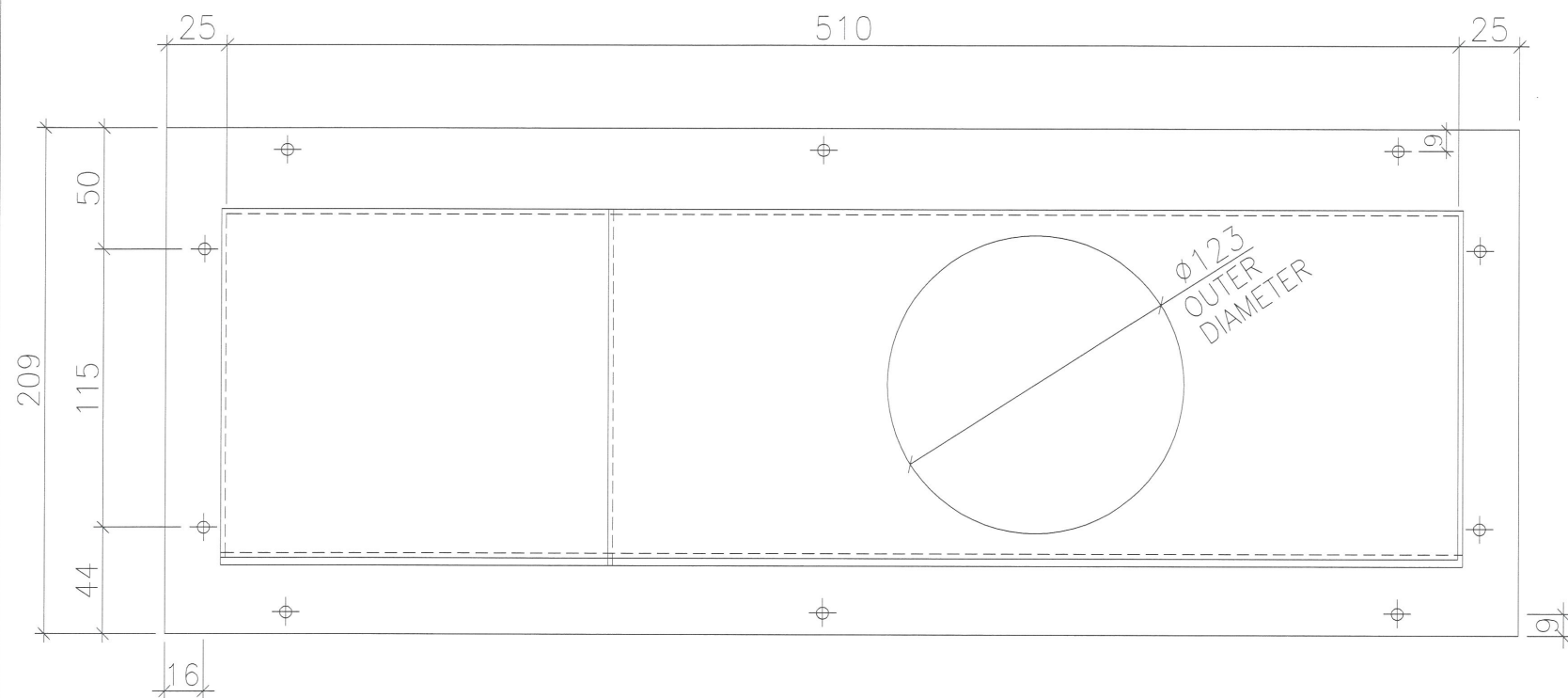
DRAWN BY : Zeng CHECKED BY : DW

美特鋁質有限公司
 MIDI ALUMINIUM FABRICATOR LTD.
 Units 6-8, Sunray Industrial Centre, 1/F
 610 Cha Kwo Ling Road, Kowloon
 Tel:23489211-4 Fax:(852)2727666

DWG NO. : JB37- PB-2106 REV. : A

BOX NO.	S. O	A	B	C	D	E	R1	R2	QTY.	LOCATION	WINDOW NO.
T2P/N-K	550	430	145	195	250	180	98	123	43	6F~55F	T2W/N-3
T2P/D-K	500	380	95	210	230	150	98	123	43	6F~55F	T2W/D-1
T2P/C-K	440	320	75	160	150	170	123	98	43	6F~55F	T2W/C-1

A/C
 one way flap



FOR R=123, EQ=8.25

A/C

B.D. REF :

CLIENT :
 信和置業有限公司
 Sino Land Company Limited

ARCHITECT :
 WONG TUNG & PARTNERS LIMITED
 ARCHITECTS & PLANNERS

MAIN CONTRACTOR :
 CR Construction Company Limited

STRUCTURAL ENGINEER :
 AECOM

FACADE CONSULTANT:

NOTE :
 1. ALL DIMENSIONS ARE IN mm.
 2. ALL ELEVATIONS ARE VIEWED FROM OUTSIDE.
 3. ALL DIMENSIONS TO BE VERIFIED ON SITE BEFORE FABRICATION.

LEGEND :
 X1 — DETAIL MARK NO.
 X001 — REFER SHEET NO.
 1. F.F.L. — FINISHED FLOOR LEVEL
 2. S.F.L. — STRUCTURAL FLOOR LEVEL
 3. (R) — REVERSED DETAIL

A	2019/2/13	GENERAL REVISION	Zeng
NO.	DATE	REVISED	BY

JOB NO. : J-837

PROJECT :
 URA KWUN TONG TOWN CENTRE
 REDEVELOPMENT (AREA 2 & 3) AT
 NKIL 6514, KWUN TONG, KOWLOON

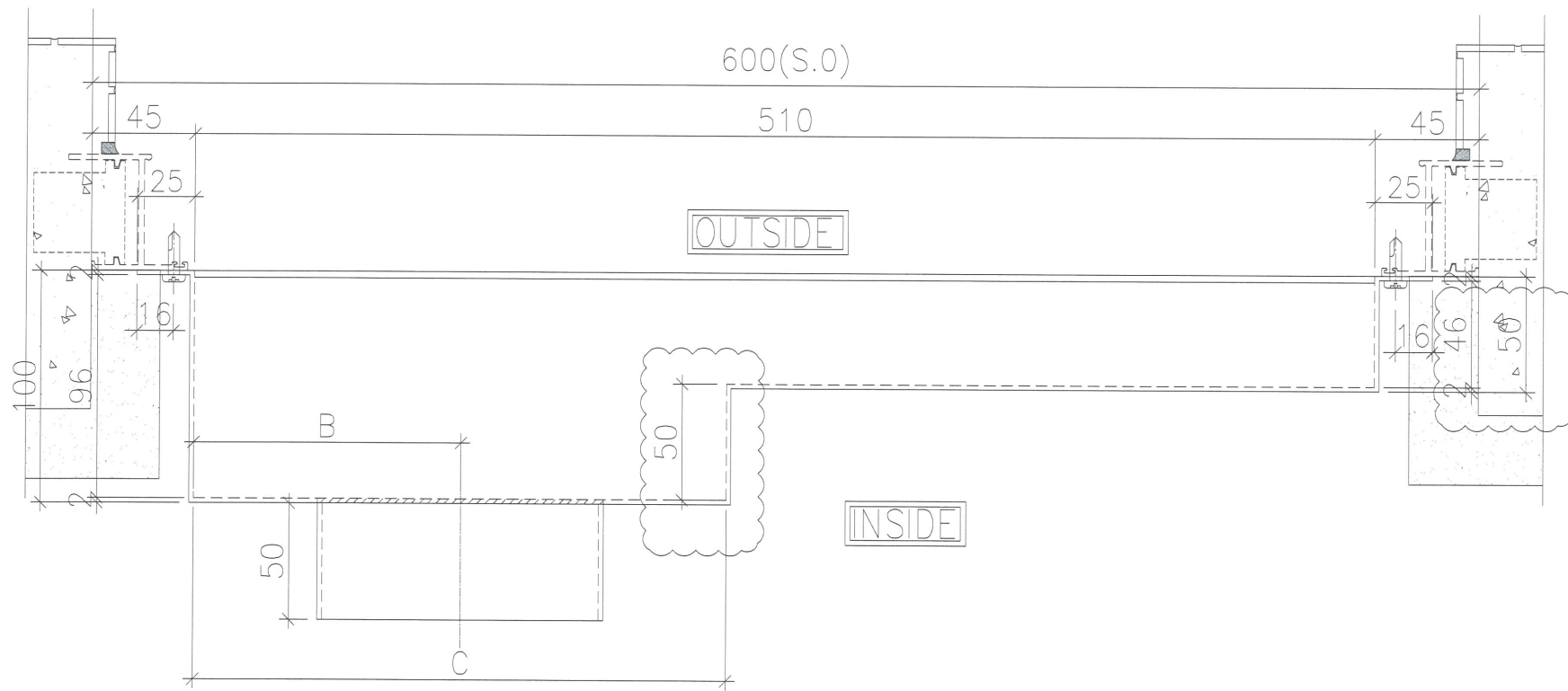
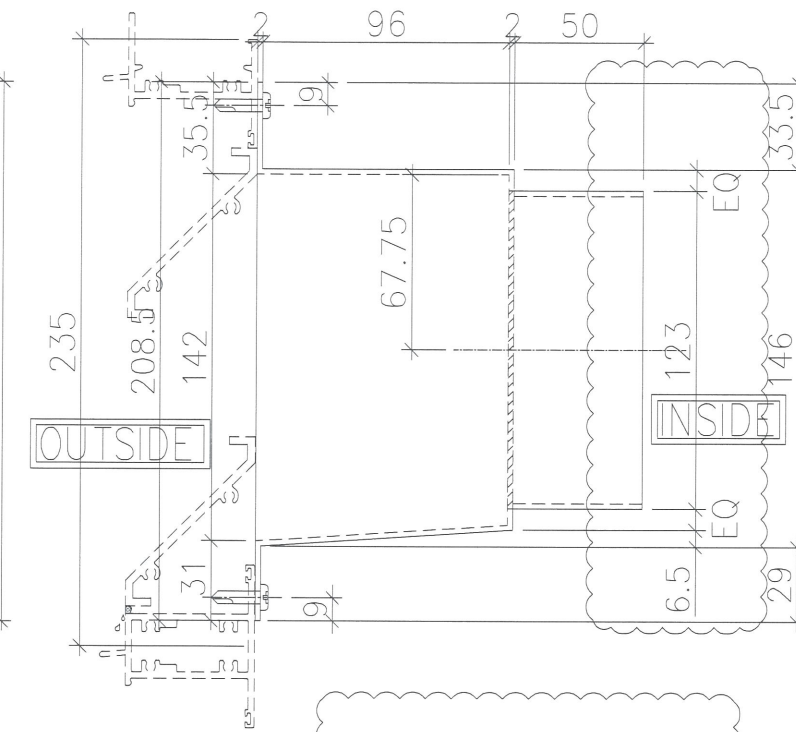
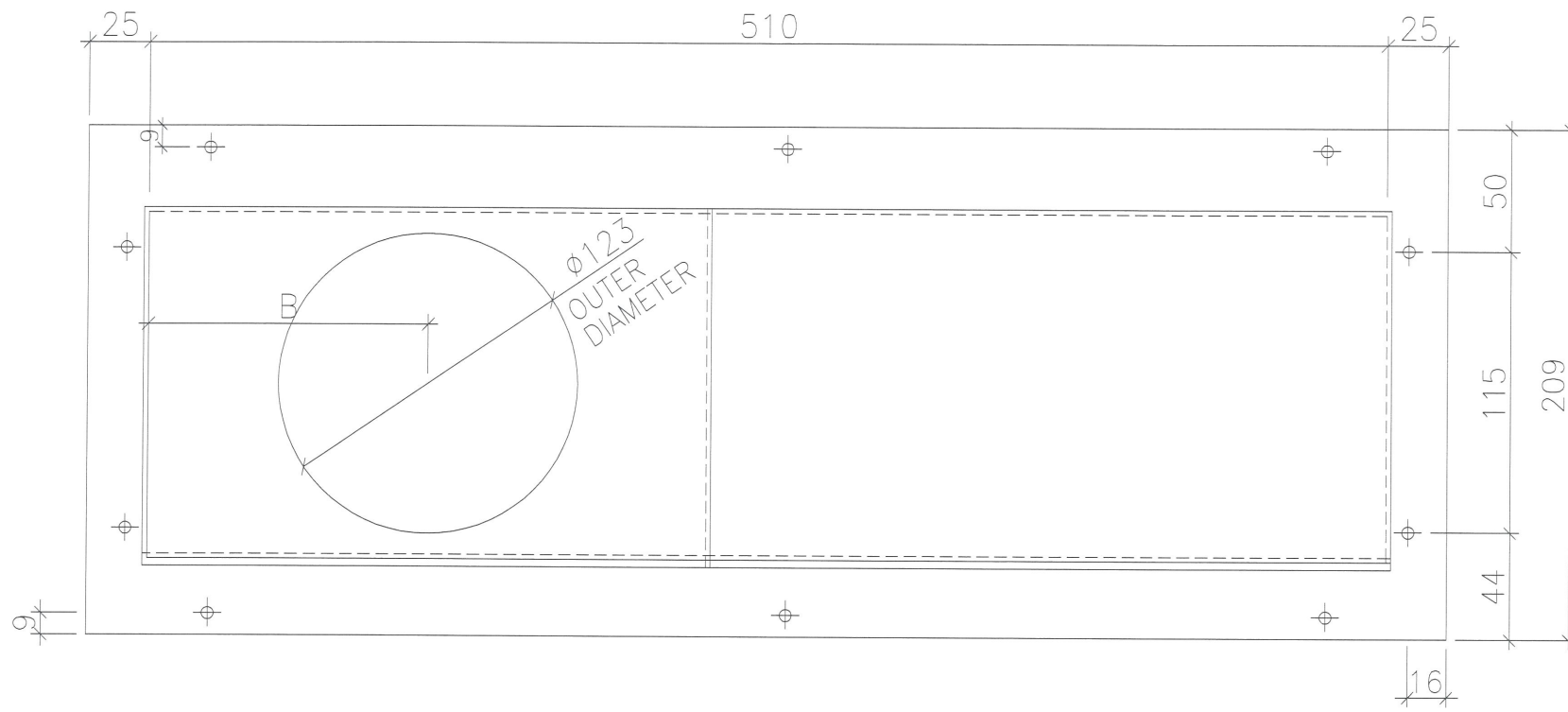
TITLE :
 TOWER AIR PLENUM BOX SCHEDULE
 (PRECAST FOR BATHROOM)

DATE : 04-JUL-18 SCALE : 1:##

DRAWN BY : Zeng CHECKED BY : DW

BOX NO.	B	C	QTY.	LOCATION	WINDOW NO.
T2P/G-B	200	160	42	6F~53F	T2W/G-2

英特鋁質有限公司
 MIDI ALUMINUM FABRICATOR LTD.
 Units 6-8, Sunray Industrial Centre, 1/F
 610 Cha Kwo Ling Road, Kowloon
 Tel: 23489211-4 Fax: (852) 27727666
 DWG NO. : J837- PB-2107 REV. : A



FOR R=123, EQ=8.25

AIC

B.D. REF :

CLIENT :
 信和置業有限公司
 Sino Land Company Limited

ARCHITECT :
 WONG TUNG & PARTNERS LIMITED
 ARCHITECTS & PLANNERS

MAIN CONTRACTOR :
 CR Construction Company Limited

STRUCTURAL ENGINEER :
 AECOM

FACADE CONSULTANT:

NOTE :
 1. ALL DIMENSIONS ARE IN mm.
 2. ALL ELEVATIONS ARE VIEWED FROM OUTSIDE.
 3. ALL DIMENSIONS TO BE VERIFIED ON SITE BEFORE FABRICATION.

LEGEND :
 --- DETAIL MARK NO.
 --- REFER SHEET NO.
 1. F.F.L. --- FINISHED FLOOR LEVEL
 2. S.F.L. --- STRUCTURAL FLOOR LEVEL
 3. --- REVERSED DETAIL

NO.	DATE	GENERAL REVISION	REVISOR	BY
A	2019/2/13	GENERAL REVISION		Zeng

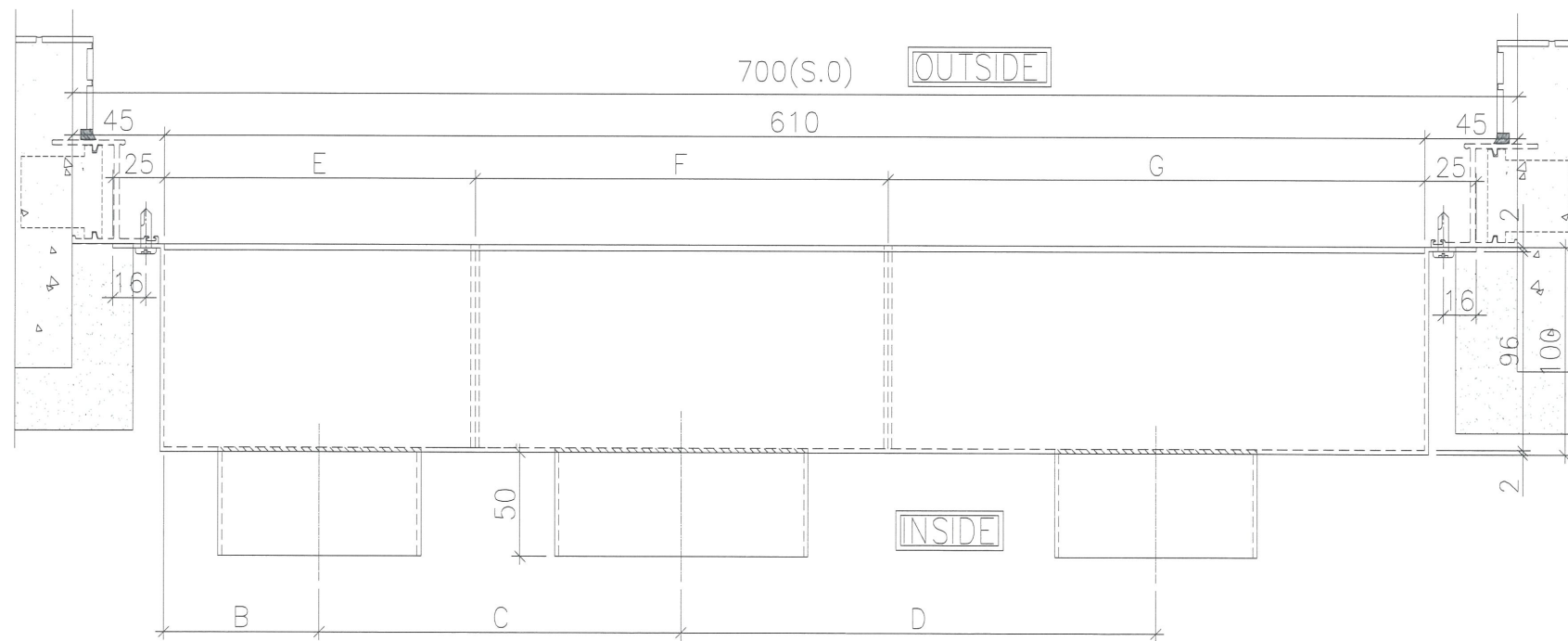
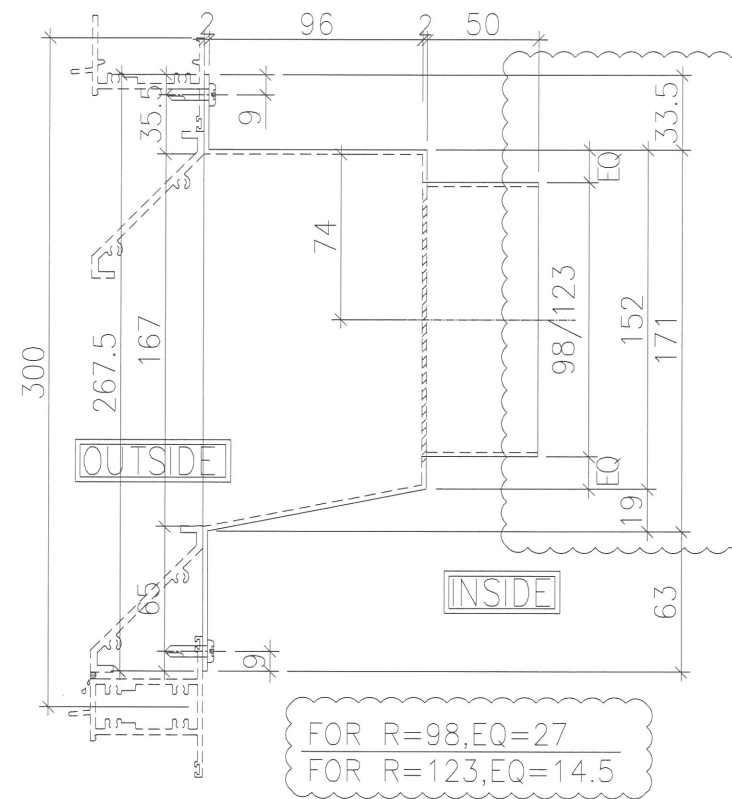
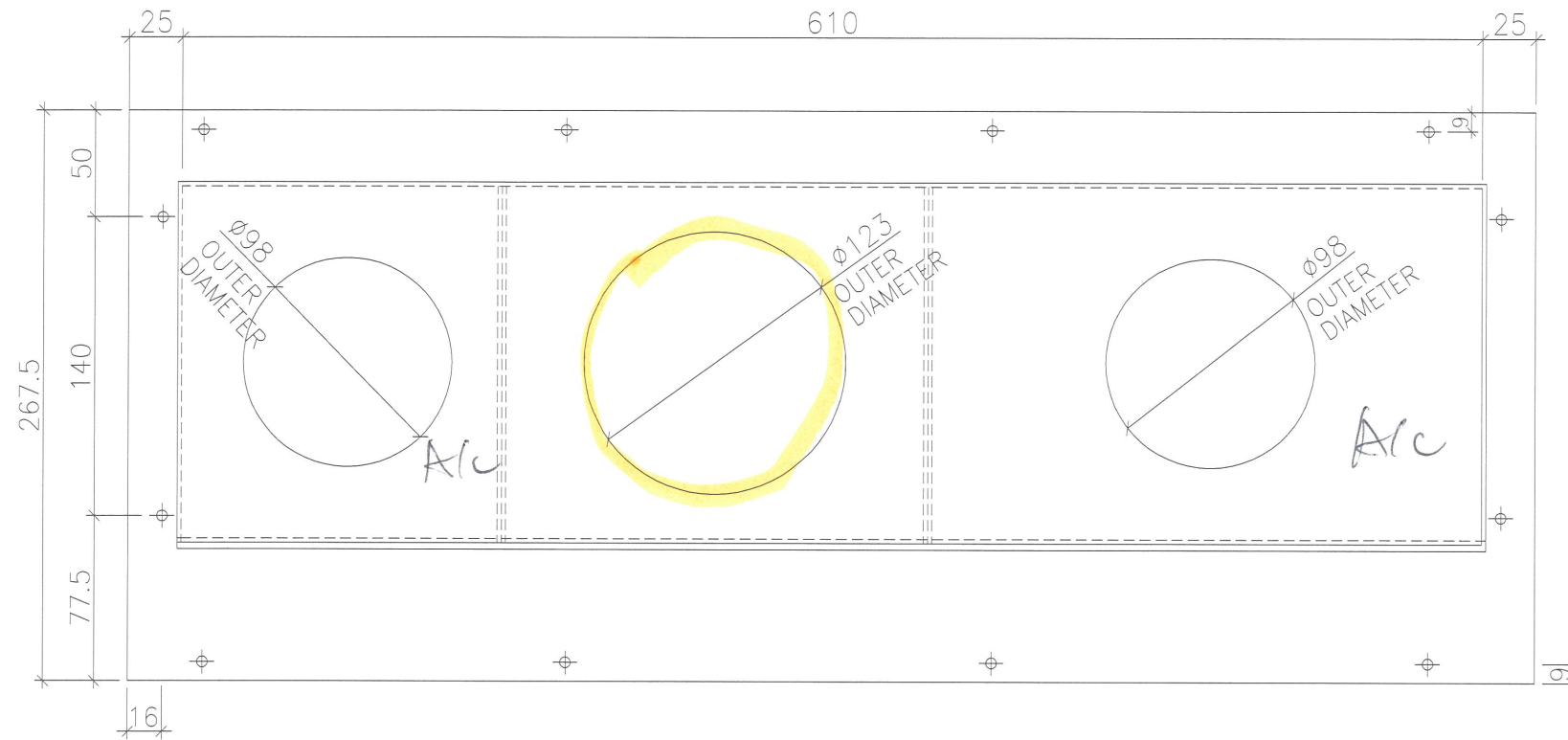
JOB NO. : J-837
 PROJECT :
 URA KWUN TONG TOWN CENTRE
 REDEVELOPMENT (AREA 2 & 3) AT
 NKIL 6514, KWUN TONG, KOWLOON

TITLE :
 TOWER AIR PLENUM BOX SCHEDULE
 (PRECAST FOR BATHROOM)

DATE : 04-JUL-18 SCALE : 1:##
 DRAWN BY : Zeng CHECKED BY : DW

BOX NO.	B	C	QTY.	LOCATION	WINDOW NO.
T3P/F-B	100	200	40	6F~51F	T3W/F-3

美特鋁質有限公司
 MIDI ALUMINIUM FABRICATOR LTD.
 Units 6-8, Sunray Industrial Centre, 1/F
 610 Cha Kwo Ling Road, Kowloon
 Tel: 23489211-4 Fax: (852) 27727666
 DWG NO. : JB37- PB-210B REV. : A



BOX NO.	B	C	D	E	F	G	QTY.	LOCATION	WINDOW NO.
T2P/A-K	75	175	200	150	200	260	43	6F~55F	T2W/A-3

B.D. REF :

CLIENT :
 信和置業有限公司
 Sino Land Company Limited

ARCHITECT :
 WONG TUNG & PARTNERS LIMITED
 ARCHITECTS & PLANNERS

MAIN CONTRACTOR :
 CR Construction Company Limited

STRUCTURAL ENGINEER :
 AECOM

FACADE CONSULTANT:

NOTE :
 1. ALL DIMENSIONS ARE IN mm.
 2. ALL ELEVATIONS ARE VIEWED FROM OUTSIDE.
 3. ALL DIMENSIONS TO BE VERIFIED ON SITE BEFORE FABRICATION.

LEGEND :
 X1 --- DETAIL MARK NO.
 X001 --- REFER SHEET NO.

1. F.F.L. --- FINISHED FLOOR LEVEL
 2. S.F.L. --- STRUCTURAL FLOOR LEVEL
 3. (R) --- REVERSED DETAIL

A	2019/2/13	GENERAL REVISION	Zeng
NO.	DATE	REVISION	BY

JOB NO. : J-837

PROJECT :
 URA KWUN TONG TOWN CENTRE
 REDEVELOPMENT (AREA 2 & 3) AT
 NKIL 6514, KWUN TONG, KOWLOON

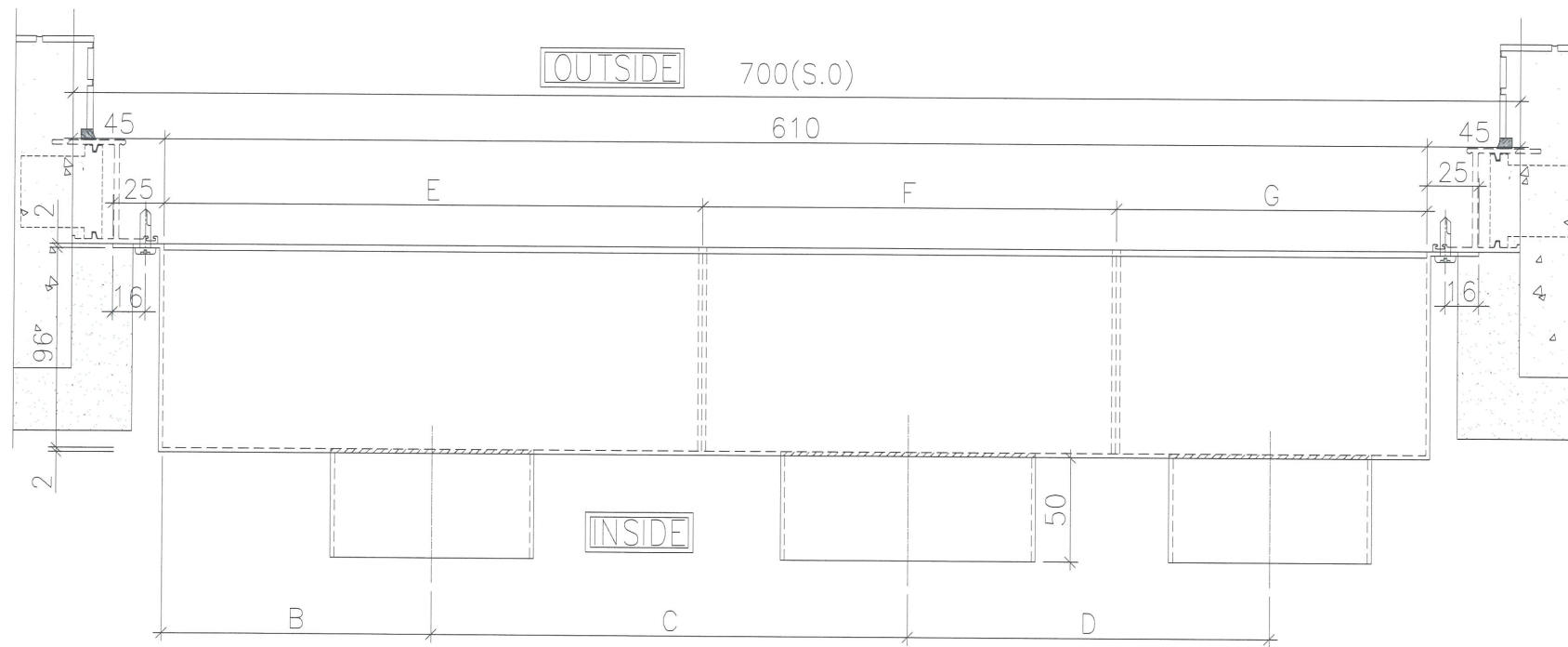
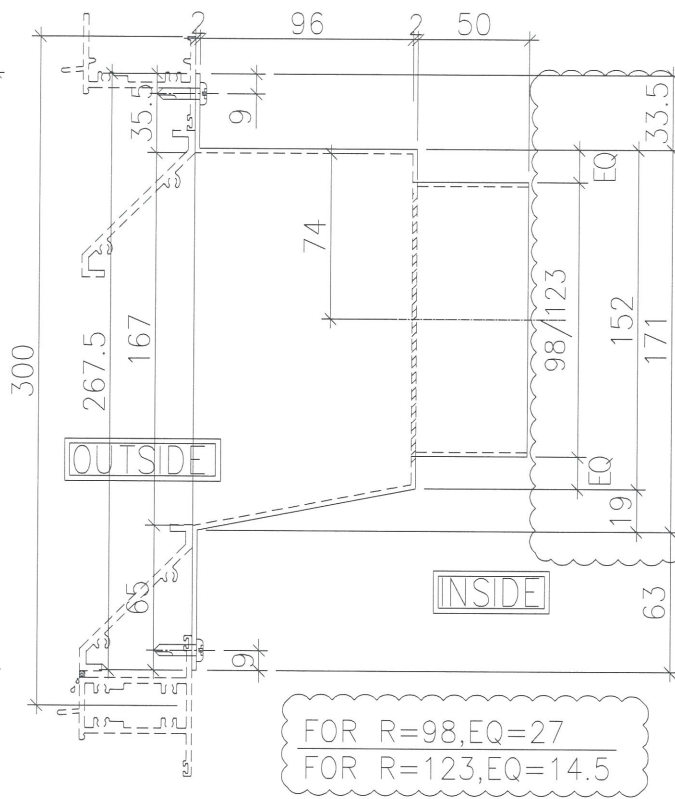
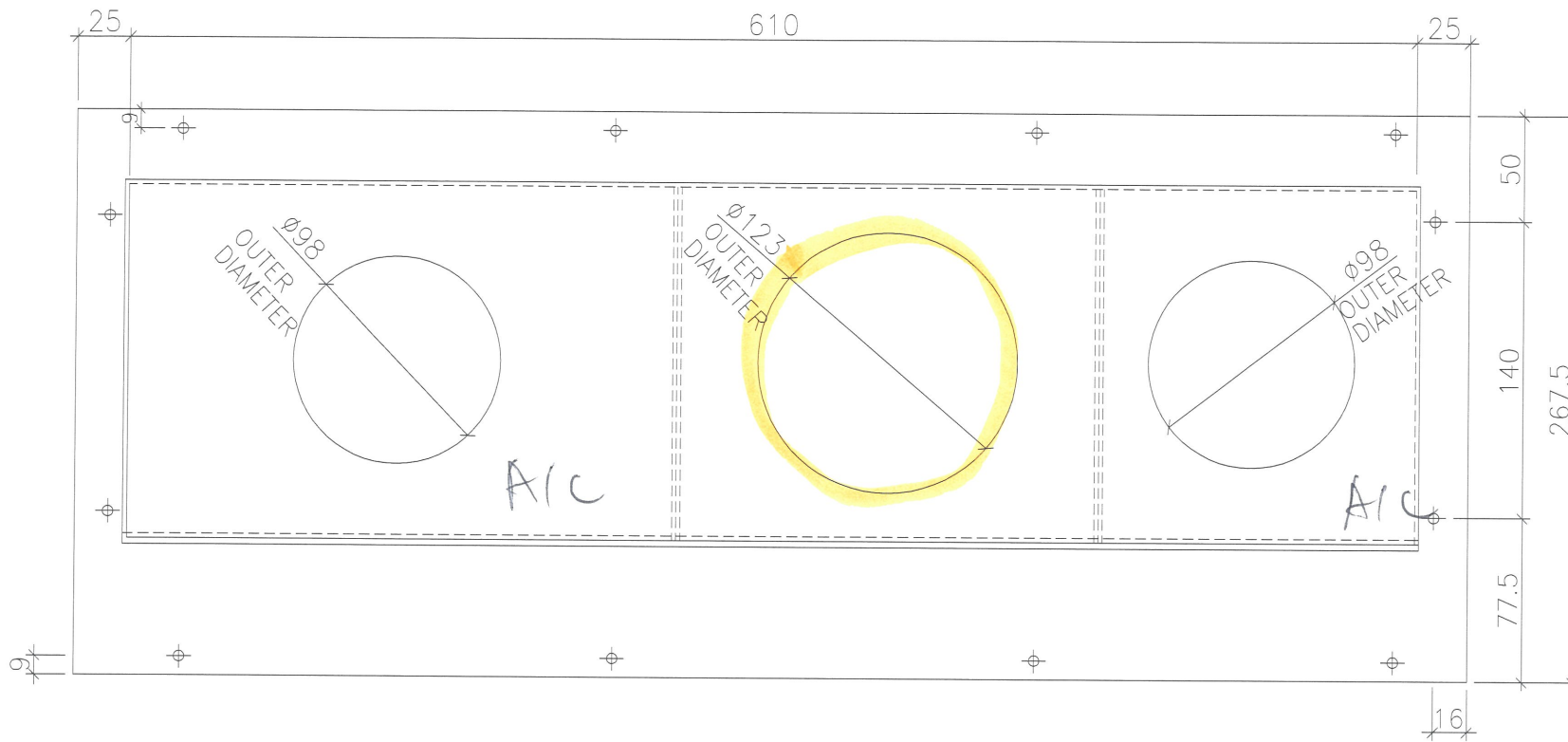
TITLE :
 TOWER AIR PLENUM BOX SCHEDULE
 (PRECAST FOR KITCHEN)

DATE : 04-JUL-18 SCALE : 1:##

DRAWN BY : Zeng CHECKED BY : DW

美特鋁質有限公司
 MIDI ALUMINIUM FABRICATOR LTD.
 Units 6-8, Sunray Industrial Centre, 1/F
 610 Cha Kwo Ling Road, Kowloon
 Tel:23489211-4 Fax:(852)2772666

DWG NO. : J837- PB-2109 REV. : A



BOX NO.	B	C	D	E	F	G	QTY.	LOCATION	WINDOW NO.
T2P/B-K	200	160	175	260	200	150	43	6F~55F	T2W/B-3

B.D. REF :

CLIENT : 信和置業有限公司 Sino Land Company Limited

ARCHITECT : WONG TUNG & PARTNERS LIMITED ARCHITECTS & PLANNERS

MAIN CONTRACTOR : CR Construction Company Limited

STRUCTURAL ENGINEER : AECOM

FACADE CONSULTANT :

NOTE :

- ALL DIMENSIONS ARE IN mm.
- ALL ELEVATIONS ARE VIEWED FROM OUTSIDE.
- ALL DIMENSIONS TO BE VERIFIED ON SITE BEFORE FABRICATION.

LEGEND :

X1 --- DETAIL MARK NO.
X001 --- REFER SHEET NO.

1. F.F.L. --- FINISHED FLOOR LEVEL
2. S.F.L. --- STRUCTURAL FLOOR LEVEL
3. /R --- REVERSED DETAIL

NO.	DATE	GENERAL REVISION	REVISD	Zeng	BY
A	2019/2/13				

JOB NO. : J-837

PROJECT : URA KWUN TONG TOWN CENTRE REDEVELOPMENT (AREA 2 & 3) AT NKIL 6514, KWUN TONG, KOWLOON

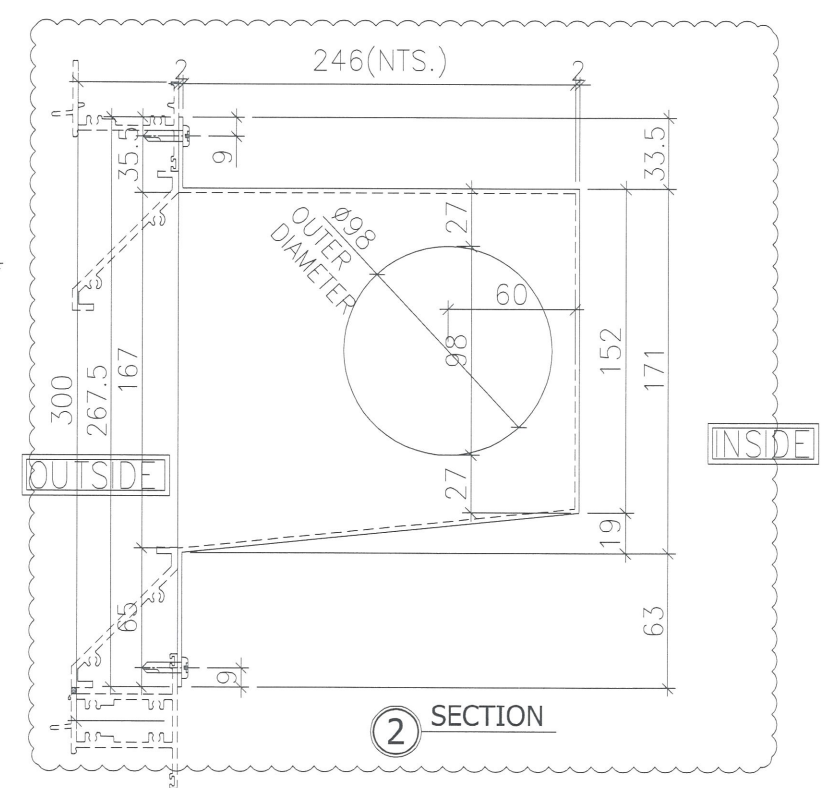
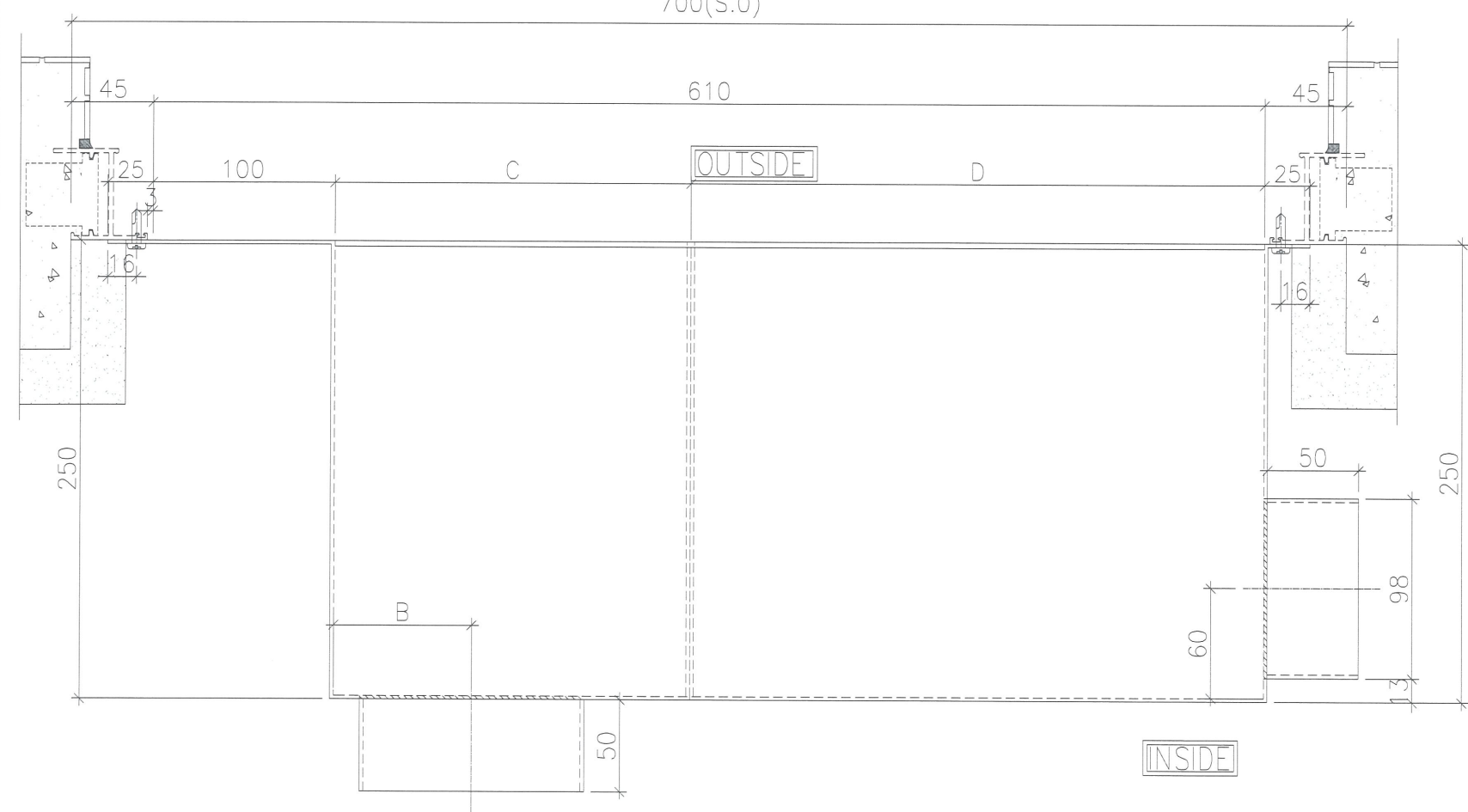
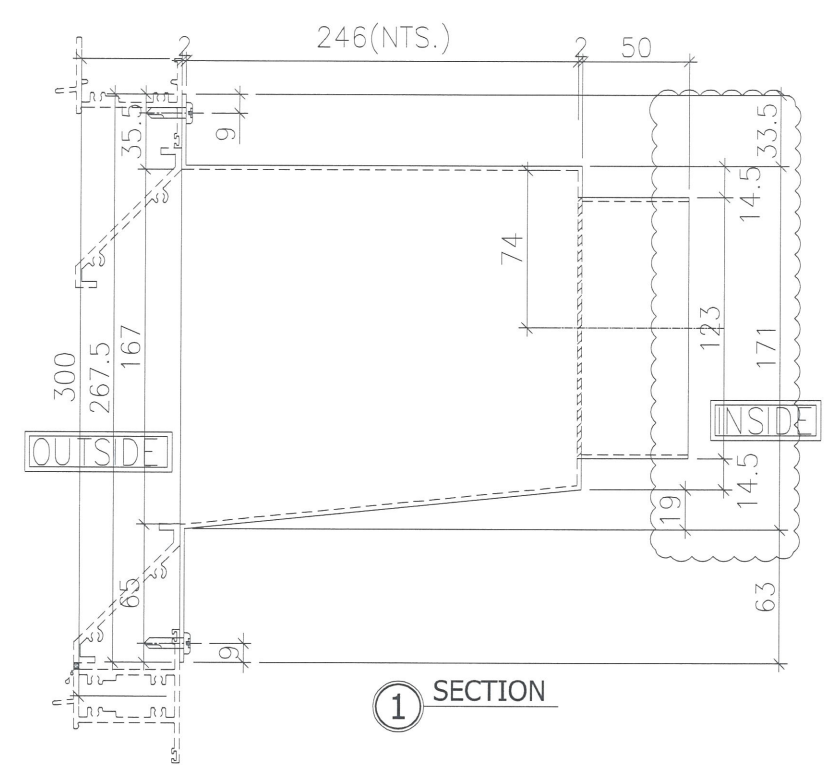
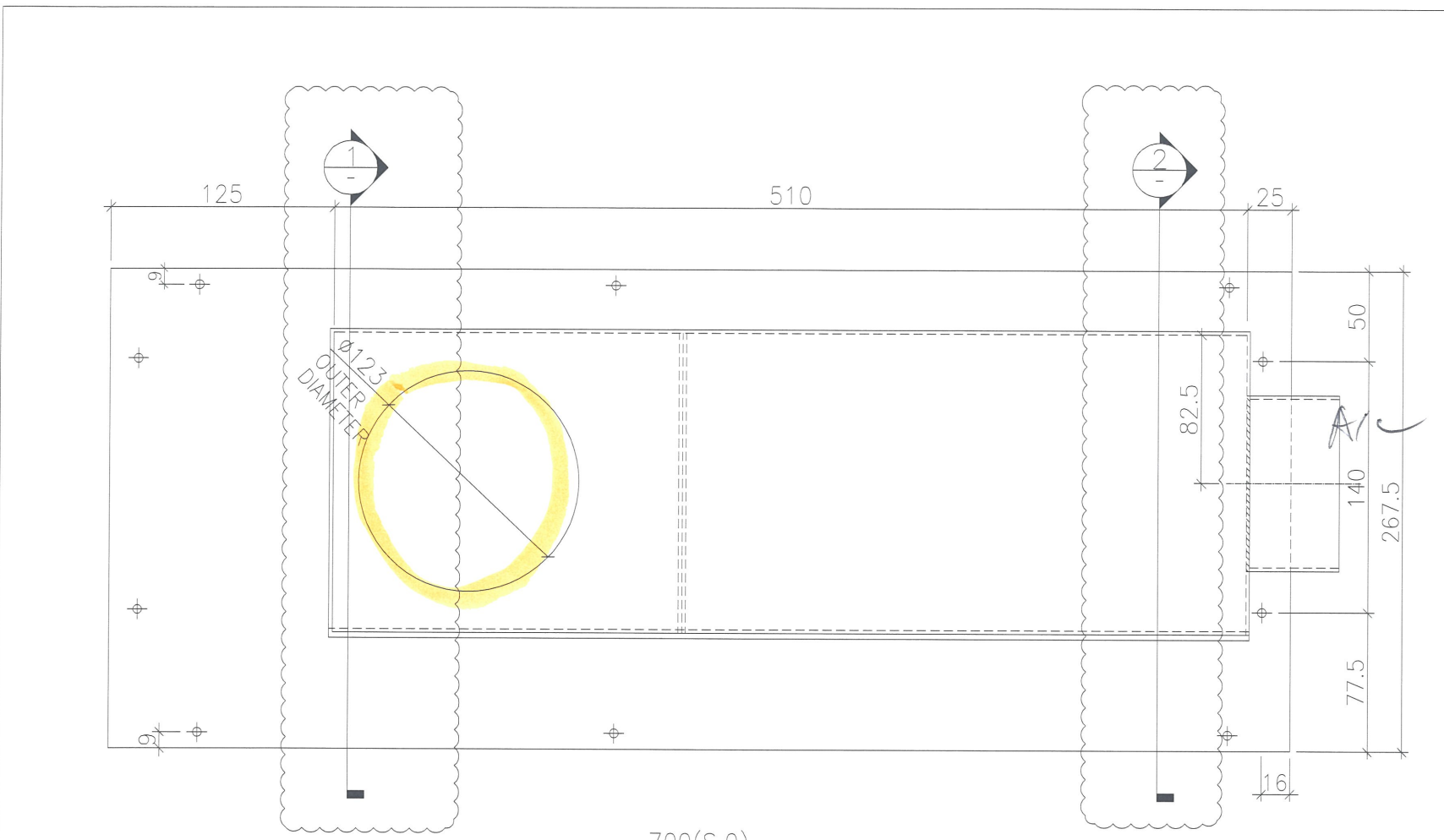
TITLE : TOWER AIR PLENUM BOX SCHEDULE (PRECAST FOR KITCHEN)

DATE : 04-JUL-18 SCALE : 1:##

DRAWN BY : Zeng CHECKED BY : DW

MIDI ALUMINIUM FABRICATOR LTD.
Units 6-8, Sunray Industrial Centre, 1/F
610 Cha Kwo Ling Road, Kowloon
Tel: 23489211-4 Fax: (852) 27727666

DWG NO. : JB37- PB-2110 REV. : A



BOX NO.	B	C	D	QTY.	LOCATION	WINDOW NO.
T2P/H-K	95	190	320	42	6F~53F	T2W/H-2

B.D. REF :

CLIENT : 信和置業有限公司 Sino Land Company Limited

ARCHITECT : WONG TUNG & PARTNERS LIMITED ARCHITECTS & PLANNERS

MAIN CONTRACTOR : CR Construction Company Limited

STRUCTURAL ENGINEER : AECOM

FACADE CONSULTANT :

NOTE :

- ALL DIMENSIONS ARE IN mm.
- ALL ELEVATIONS ARE VIEWED FROM OUTSIDE.
- ALL DIMENSIONS TO BE VERIFIED ON SITE BEFORE FABRICATION.

LEGEND :

X1 --- DETAIL MARK NO.
X001 --- REFER SHEET NO.

- F.F.L. --- FINISHED FLOOR LEVEL
- S.F.L. --- STRUCTURAL FLOOR LEVEL
- (R) --- REVERSED DETAIL

A	2019/2/13	GENERAL REVISION	Zeng
NO.	DATE	REVISION	BY

JOB NO. : J-837

PROJECT : URA KWUN TONG TOWN CENTRE REDEVELOPMENT (AREA 2 & 3) AT NKIL 6514, KWUN TONG, KOWLOON

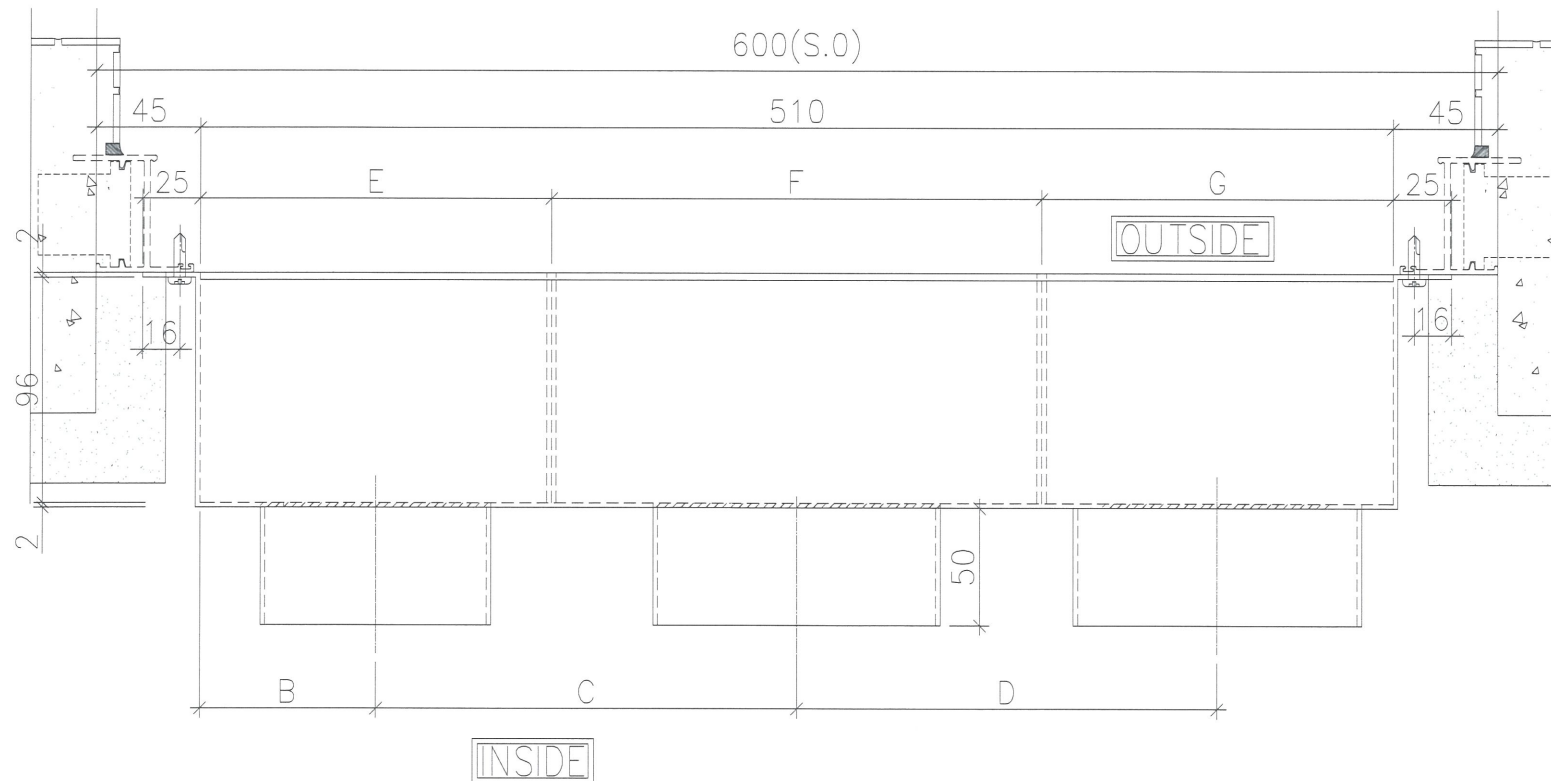
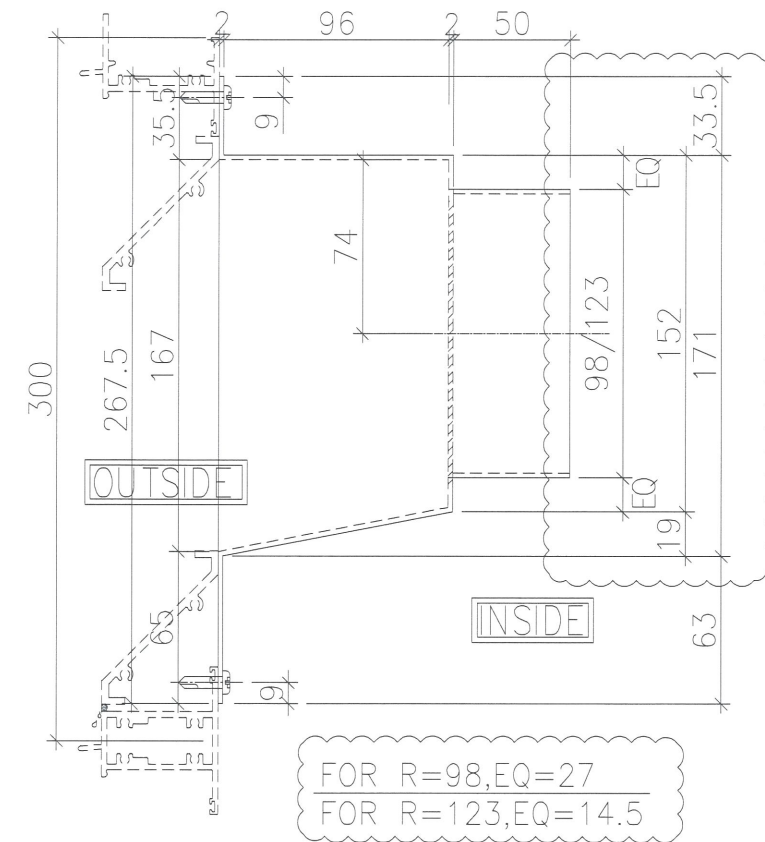
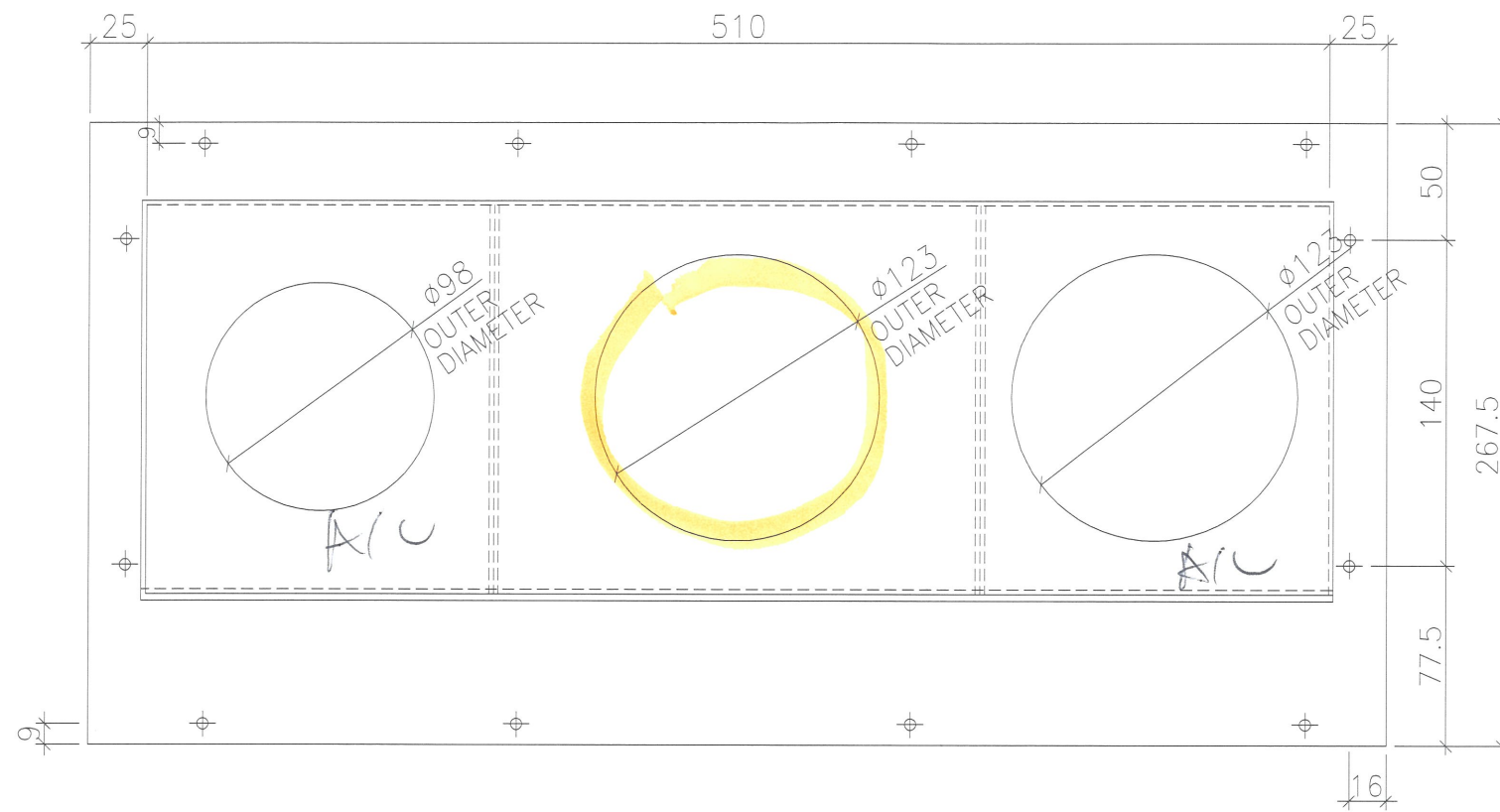
TITLE : TOWER AIR PLENUM BOX SCHEDULE (PRECAST FOR KITCHEN)

DATE : 04-JUL-18 SCALE : 1:##

DRAWN BY : Zeng CHECKED BY : DW

MIDI ALUMINIUM FABRICATOR LTD.
Units B-8, Sunray Industrial Centre, 1/F
610 Cha Kwo Ling Road, Kowloon
Tel:23489211-4 Fax:(852)27727666

DWG NO. : JB37-PB-2111 REV. : A



B.D. REF :

CLIENT :
 信和置業有限公司
 Sino Land Company Limited

ARCHITECT :
 WONG TUNG & PARTNERS LIMITED
 ARCHITECTS & PLANNERS

MAIN CONTRACTOR :
 CR Construction Company Limited

STRUCTURAL ENGINEER :
 AECOM

FACADE CONSULTANT:

NOTE :
 1. ALL DIMENSIONS ARE IN mm.
 2. ALL ELEVATIONS ARE VIEWED FROM OUTSIDE.
 3. ALL DIMENSIONS TO BE VERIFIED ON SITE BEFORE FABRICATION.

LEGEND :
 X1 --- DETAIL MARK NO.
 X001 --- REFER SHEET NO.
 1. F.F.L. --- FINISHED FLOOR LEVEL
 2. S.F.L. --- STRUCTURAL FLOOR LEVEL
 3. (R) --- REVERSED DETAIL

A	2019/2/13	GENERAL REVISION	Zeng
NO.	DATE	REVISED	BY

JOB NO. : J-837

PROJECT :
 URA KWUN TONG TOWN CENTRE
 REDEVELOPMENT (AREA 2 & 3) AT
 NKIL 6514, KWUN TONG, KOWLOON

TITLE :
 TOWER AIR PLENUM BOX SCHEDULE
 (PRECAST FOR KITCHEN)

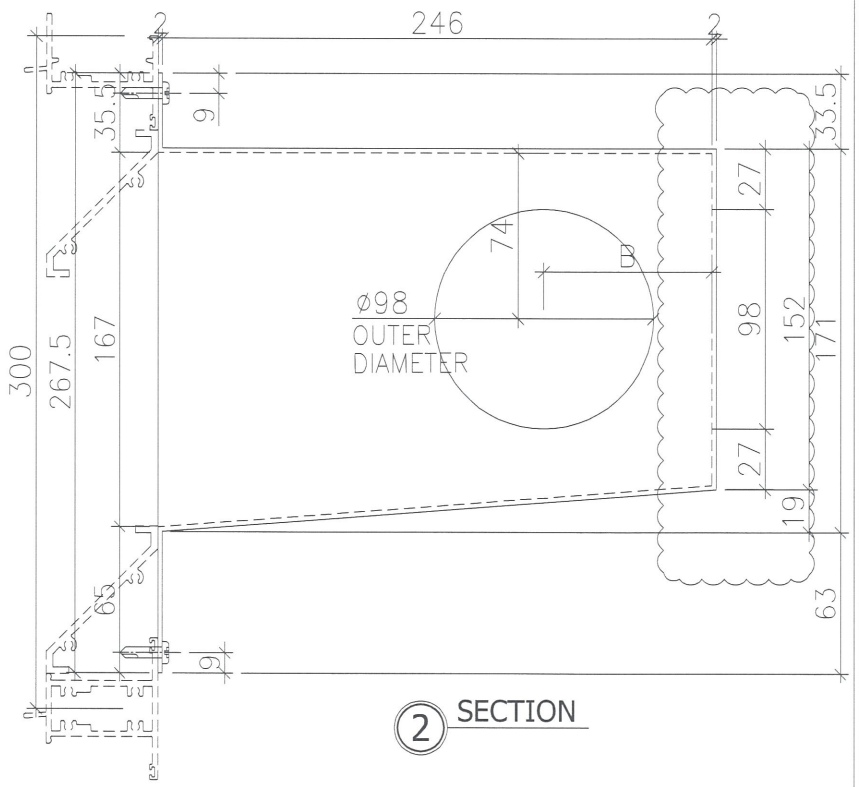
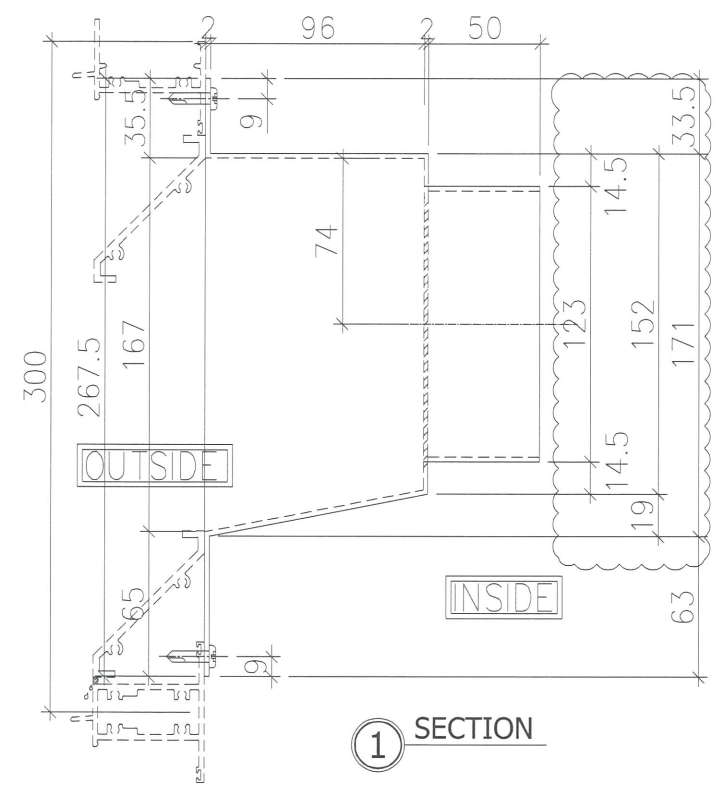
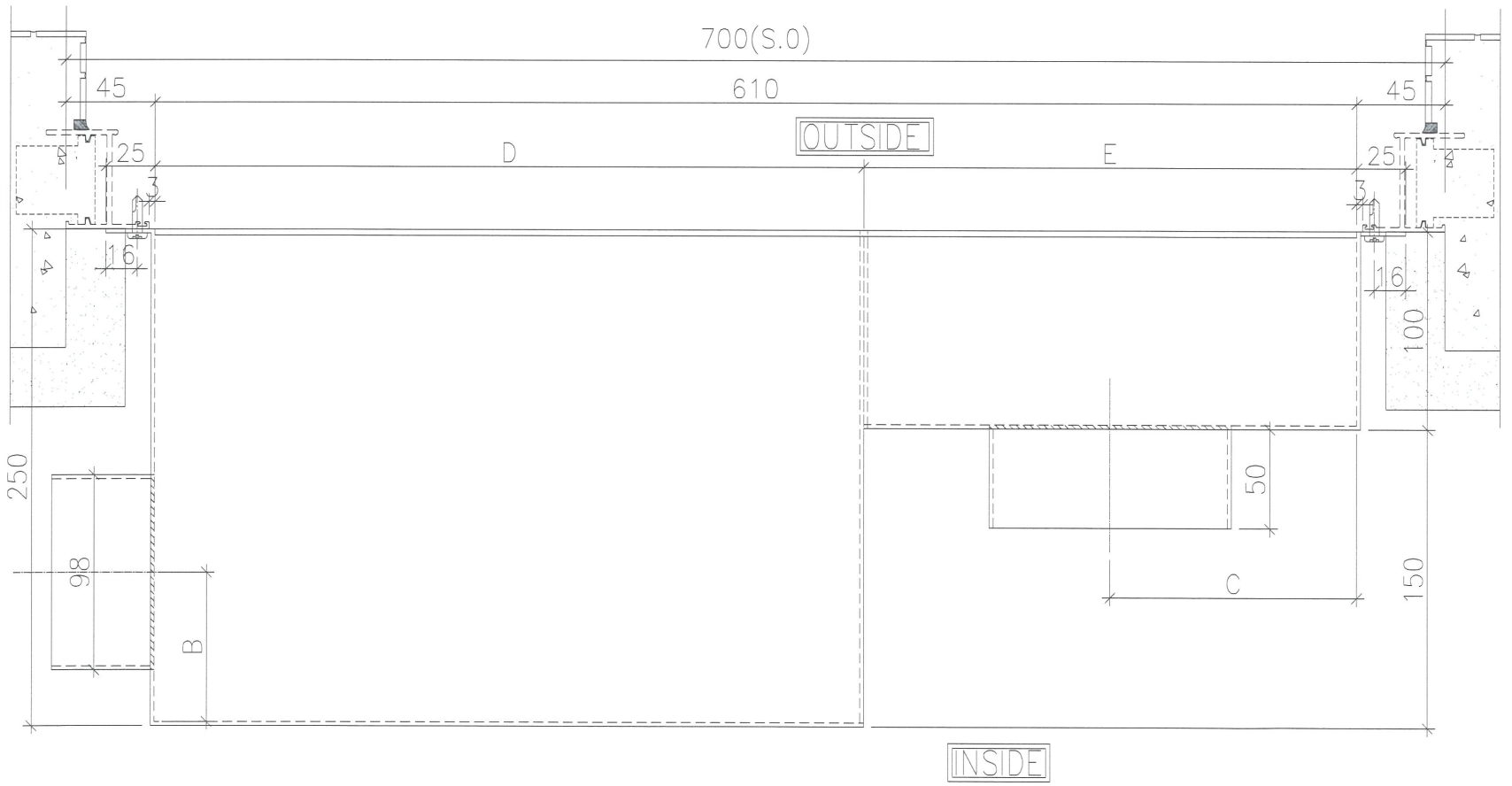
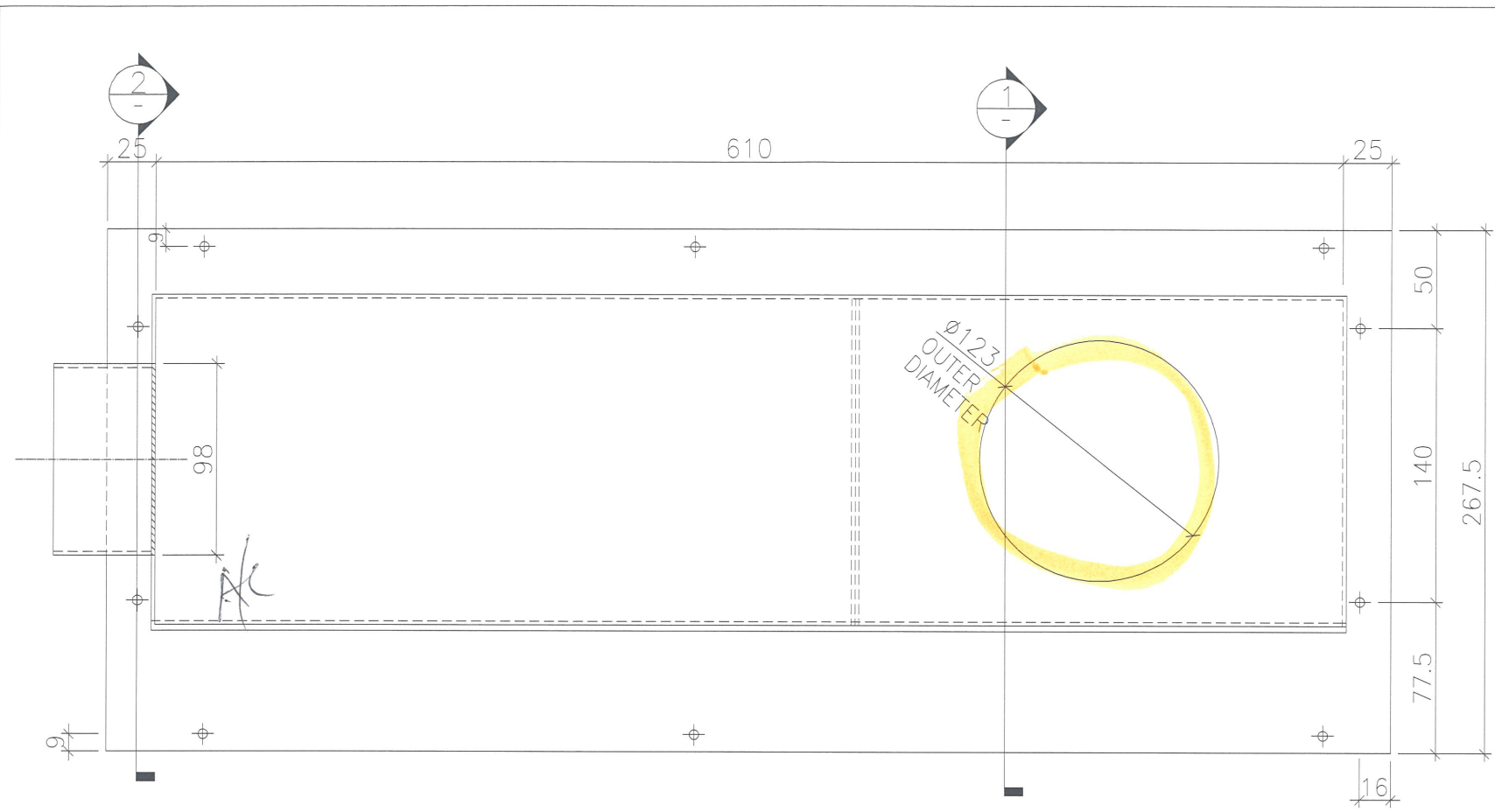
DATE : 04-JUL-18 SCALE : 1:##

DRAWN BY : Zeng CHECKED BY : DW

英特鋁質有限公司
 MIDI ALUMINUM FABRICATOR LTD.
 Units 6-8, Sunray Industrial Centre, 1/F
 610 Cha Kwa Ling Road, Kowloon
 Tel:23489211-4 Fax:(852)27727666

DWG NO. : JB37- PB-2112 REV. : A

BOX NO.	B	C	D	E	F	G	QTY.	LOCATION	WINDOW NO.
T5P/K-K	75	150	210	150	150	210	39	6F~50F	T5W/K-2



BOX NO.	B	C	D	E	QTY.	LOCATION	WINDOW NO.
T5P/L-K	60	125	340	270	39	6F~50F	T5W/L-2

B.D. REF :

CLIENT :
 信和置業有限公司
 Sino Land Company Limited

ARCHITECT :
 WONG TUNG & PARTNERS LIMITED
 ARCHITECTS & PLANNERS

MAIN CONTRACTOR :
 CR Construction Company Limited

STRUCTURAL ENGINEER :
 AECOM

FACADE CONSULTANT:

NOTE :
 1. ALL DIMENSIONS ARE IN mm.
 2. ALL ELEVATIONS ARE VIEWED FROM OUTSIDE.
 3. ALL DIMENSIONS TO BE VERIFIED ON SITE BEFORE FABRICATION.

LEGEND :
 X1 --- DETAIL MARK NO.
 X001 --- REFER SHEET NO.

1. F.F.L. --- FINISHED FLOOR LEVEL
 2. S.F.L. --- STRUCTURAL FLOOR LEVEL
 3. (R) --- REVERSED DETAIL

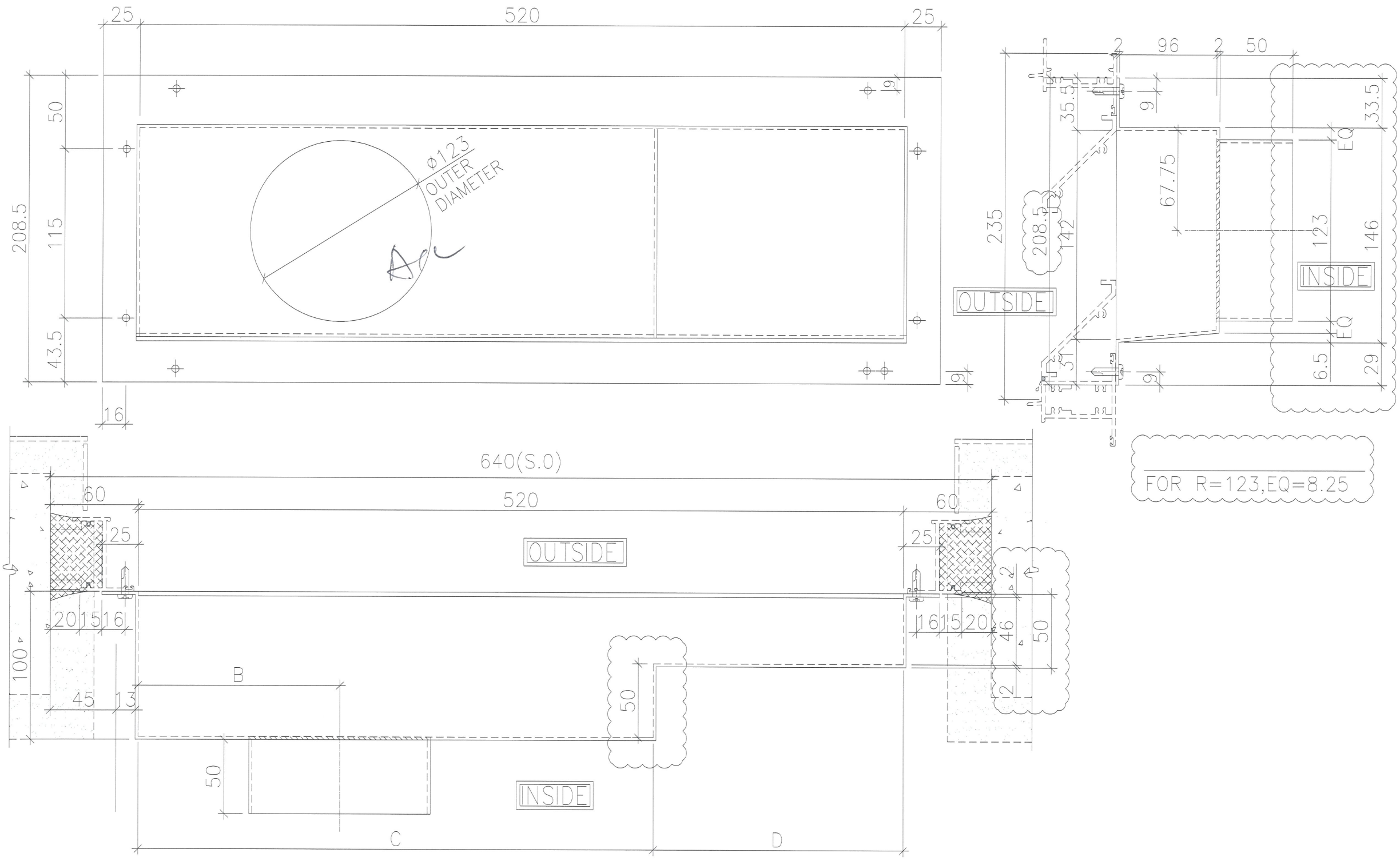
A	2019/2/13	GENERAL REVISION	Zeng
NO.	DATE	REVISED	BY

JOB NO. : J-837
 PROJECT :
 URA KWUN TONG TOWN CENTRE
 REDEVELOPMENT (AREA 2 & 3) AT
 NKIL 6514, KWUN TONG, KOWLOON

TITLE :
 TOWER AIR PLENUM BOX SCHEDULE
 (PRECAST FOR KITCHEN)

DATE : 04-JUL-18 SCALE : 1:##
 DRAWN BY : Zeng CHECKED BY : DW

英特鋁質有限公司
 MIDI ALUMINIUM FABRICATOR LTD.
 Units 6-8, Sunray Industrial Centre, 1/F
 610 Cha Kwo Ling Road, Kowloon
 Tel:23489211-4 Fax:(852)2727666
 DWG NO. : J837- PB-2113 REV. : A



B.D. REF :

CLIENT :
 信和置業有限公司
 Sino Land Company Limited

ARCHITECT :
 WONG TUNG & PARTNERS LIMITED
 ARCHITECTS & PLANNERS

MAIN CONTRACTOR :
 CR Construction Company Limited

STRUCTURAL ENGINEER :
 AECOM

FACADE CONSULTANT:

NOTE :
 1. ALL DIMENSIONS ARE IN mm.
 2. ALL ELEVATIONS ARE VIEWED FROM OUTSIDE.
 3. ALL DIMENSIONS TO BE VERIFIED ON SITE BEFORE FABRICATION.

LEGEND :
 X1 --- DETAIL MARK NO.
 X001 --- REFER SHEET NO.
 1. F.F.L. --- FINISHED FLOOR LEVEL
 2. S.F.L. --- STRUCTURAL FLOOR LEVEL
 3. (R) --- REVERSED DETAIL

2 (1) = 0.8

NO.	DATE	GENERAL REVISION	REVISOR	BY
A	2019/2/13			Zeng

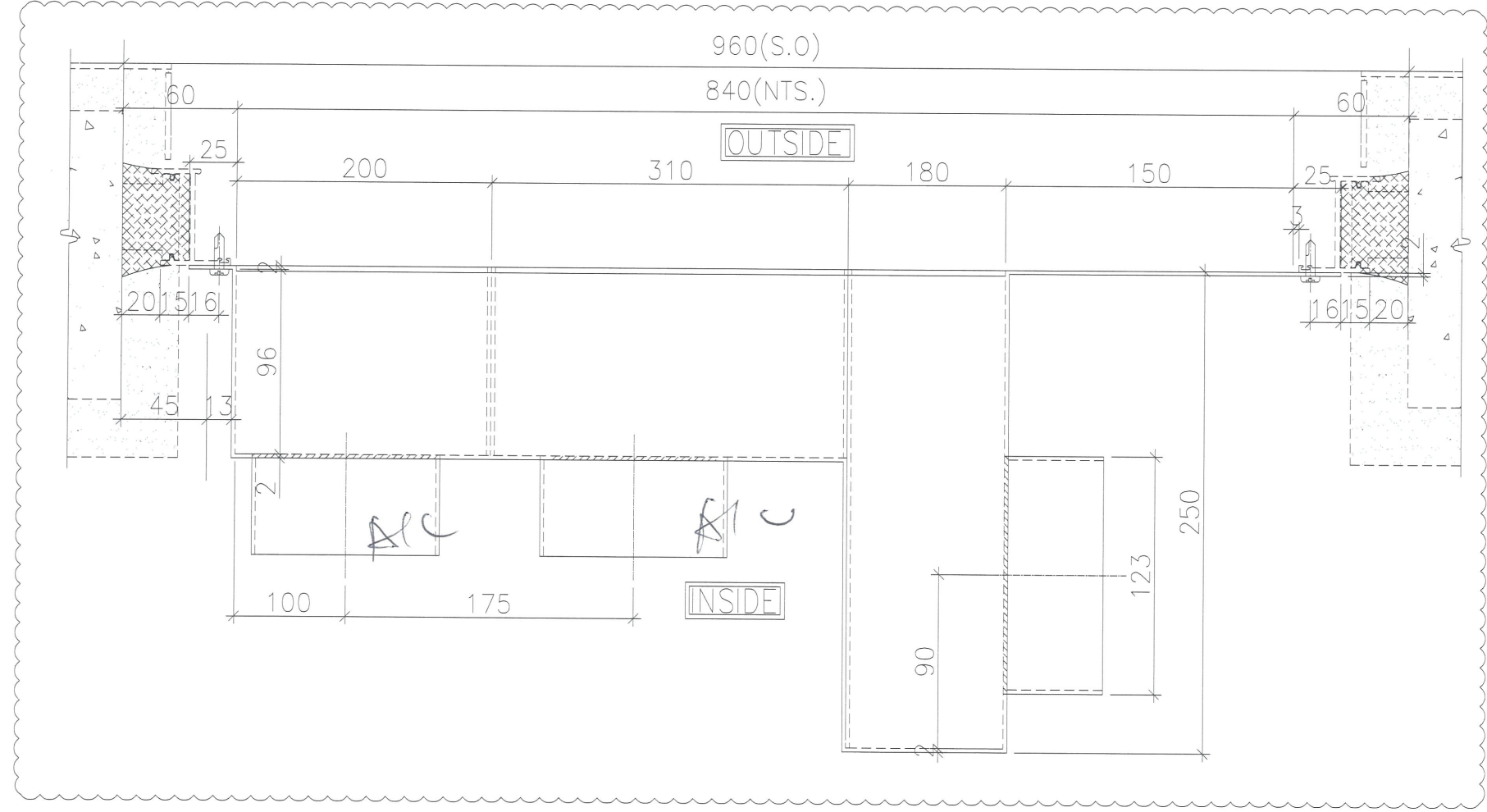
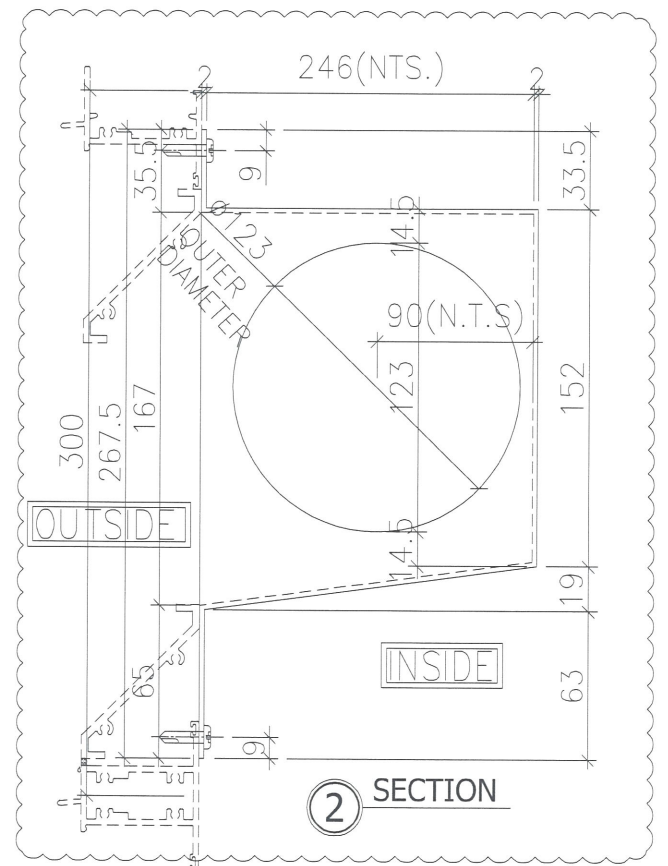
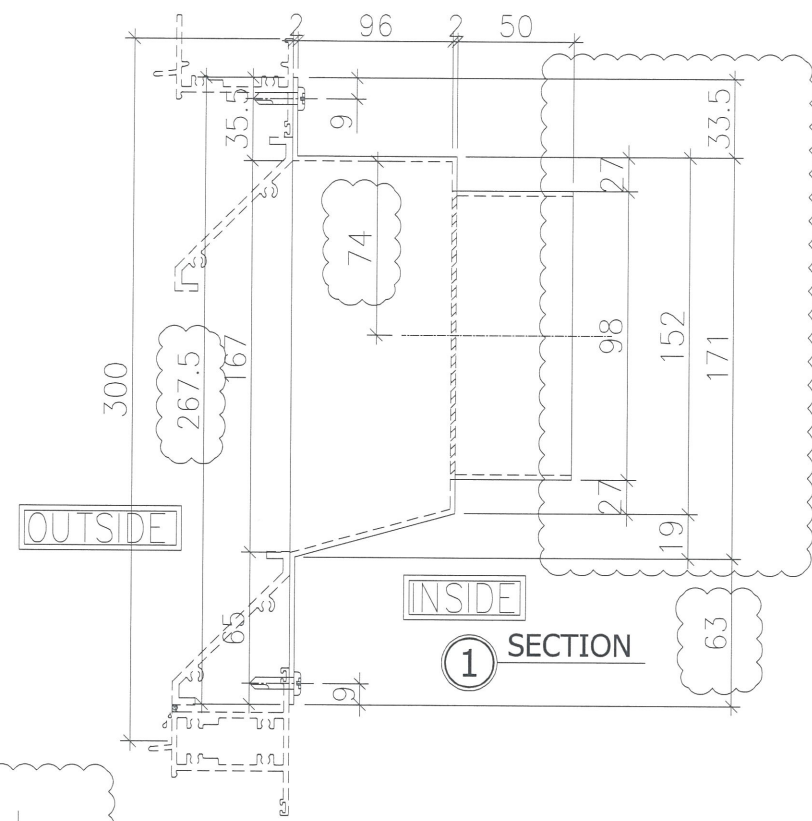
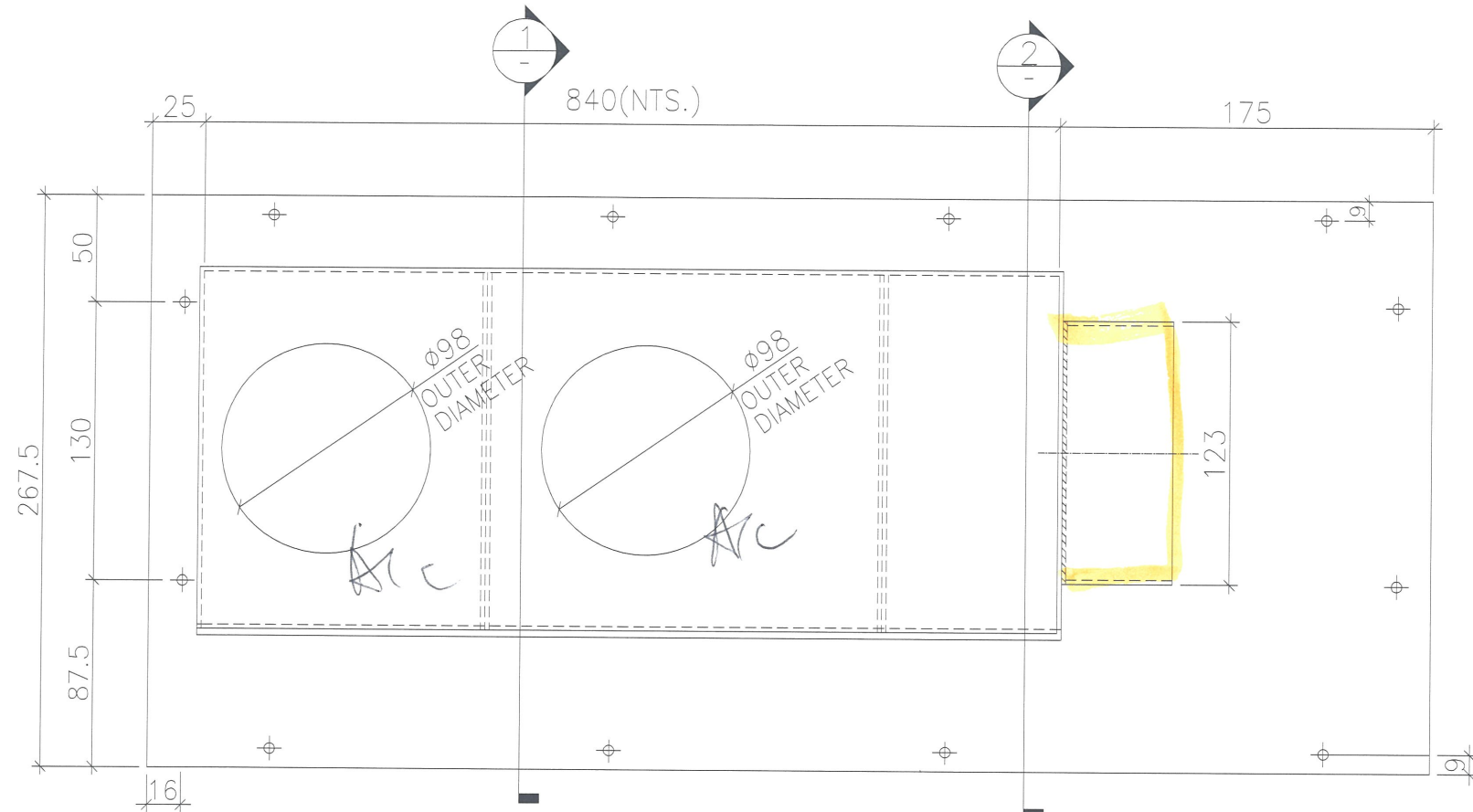
JOB NO. : J-837
 PROJECT :
 URA KWUN TONG TOWN CENTRE
 REDEVELOPMENT (AREA 2 & 3) AT
 NKIL 6514, KWUN TONG, KOWLOON

TITLE :
 TOWER AIR PLENUM BOX SCHEDULE
 (INSITU FOR BATHROOM)

DATE : 04-JUL-18 SCALE : 1:##
 DRAWN BY : Zeng CHECKED BY : DW

BOX NO.	B	C	D	QTY.	LOCATION	WINDOW NO.
T2P/H-B	150	300	220	42	6F~53F	T2W/H-1

美特鋁質有限公司
 MIDI ALUMINIUM FABRICATOR LTD.
 Units 6-8, Sunray Industrial Centre, 1/F
 610 Cha Kwo Ling Road, Kowloon
 Tel: 23489211-4 Fax: (852) 27727666
 DWG NO. : J837- PB-2114 REV. : -



B.D. REF :

CLIENT :
 信和置業有限公司
 Sino Land Company Limited

ARCHITECT :
 WONG TUNG & PARTNERS LIMITED
 ARCHITECTS & PLANNERS

MAIN CONTRACTOR :
 CR Construction Company Limited

STRUCTURAL ENGINEER :
 AECOM

FACADE CONSULTANT:

NOTE :
 1. ALL DIMENSIONS ARE IN mm.
 2. ALL ELEVATIONS ARE VIEWED FROM OUTSIDE.
 3. ALL DIMENSIONS TO BE VERIFIED ON SITE BEFORE FABRICATION.

LEGEND :
 X1 -- DETAIL MARK NO.
 X001 -- REFER SHEET NO.
 1. F.F.L. -- FINISHED FLOOR LEVEL
 2. S.F.L. -- STRUCTURAL FLOOR LEVEL
 3. (R) -- REVERSED DETAIL

NO.	DATE	GENERAL REVISION	REVISD	Zeng	BY
A	2019/2/13				

JOB NO. : J-837
 PROJECT :
 URA KWUN TONG TOWN CENTRE
 REDEVELOPMENT (AREA 2 & 3) AT
 NKIL 6514, KWUN TONG, KOWLOON

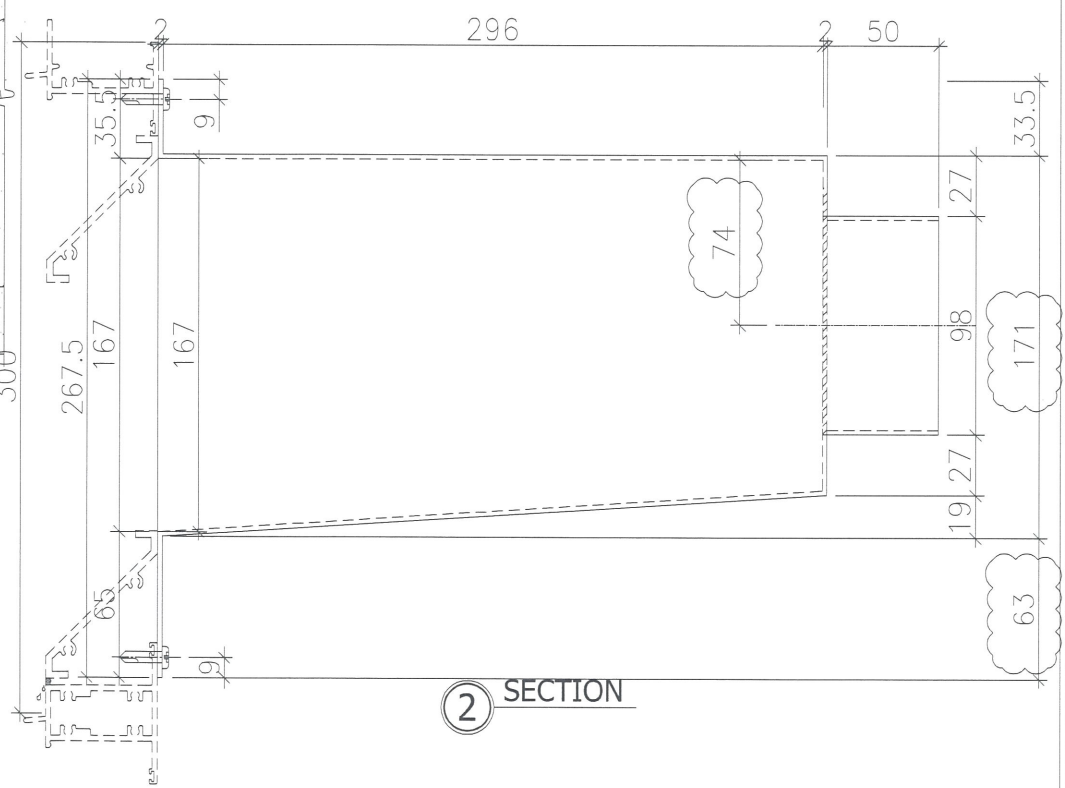
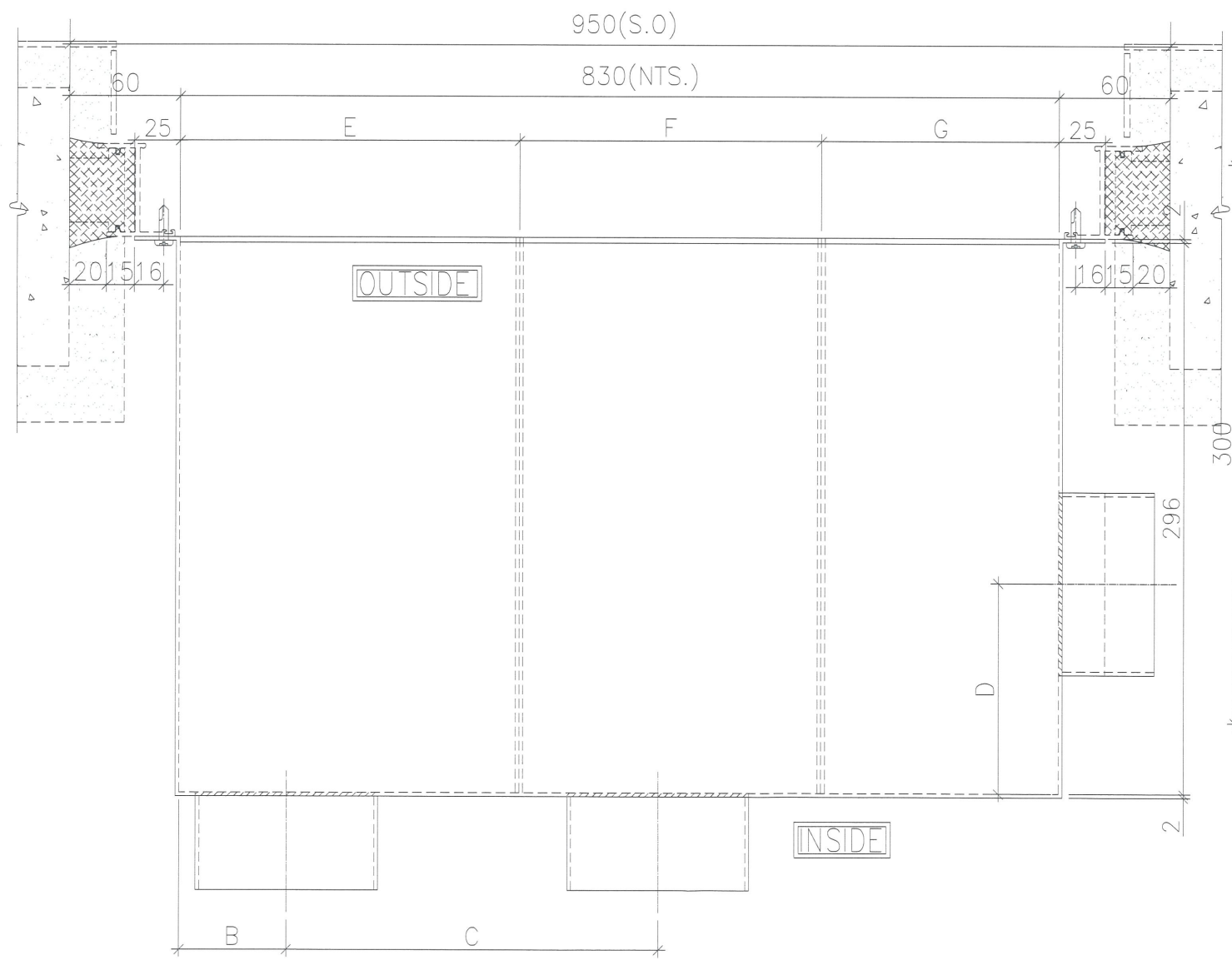
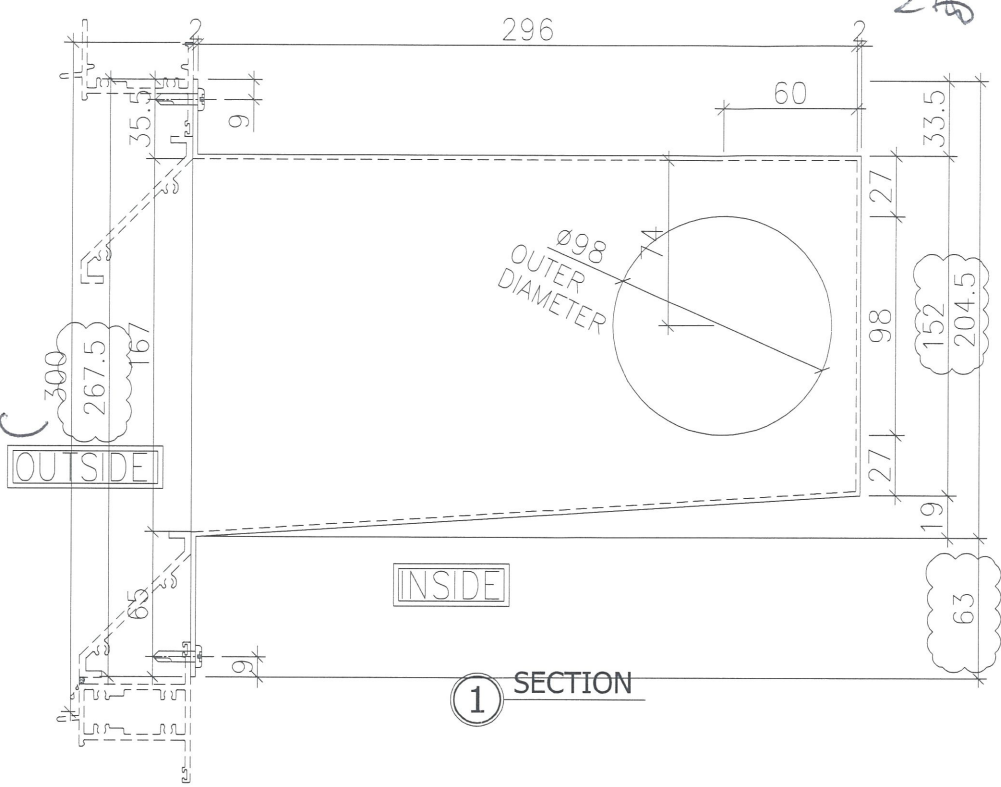
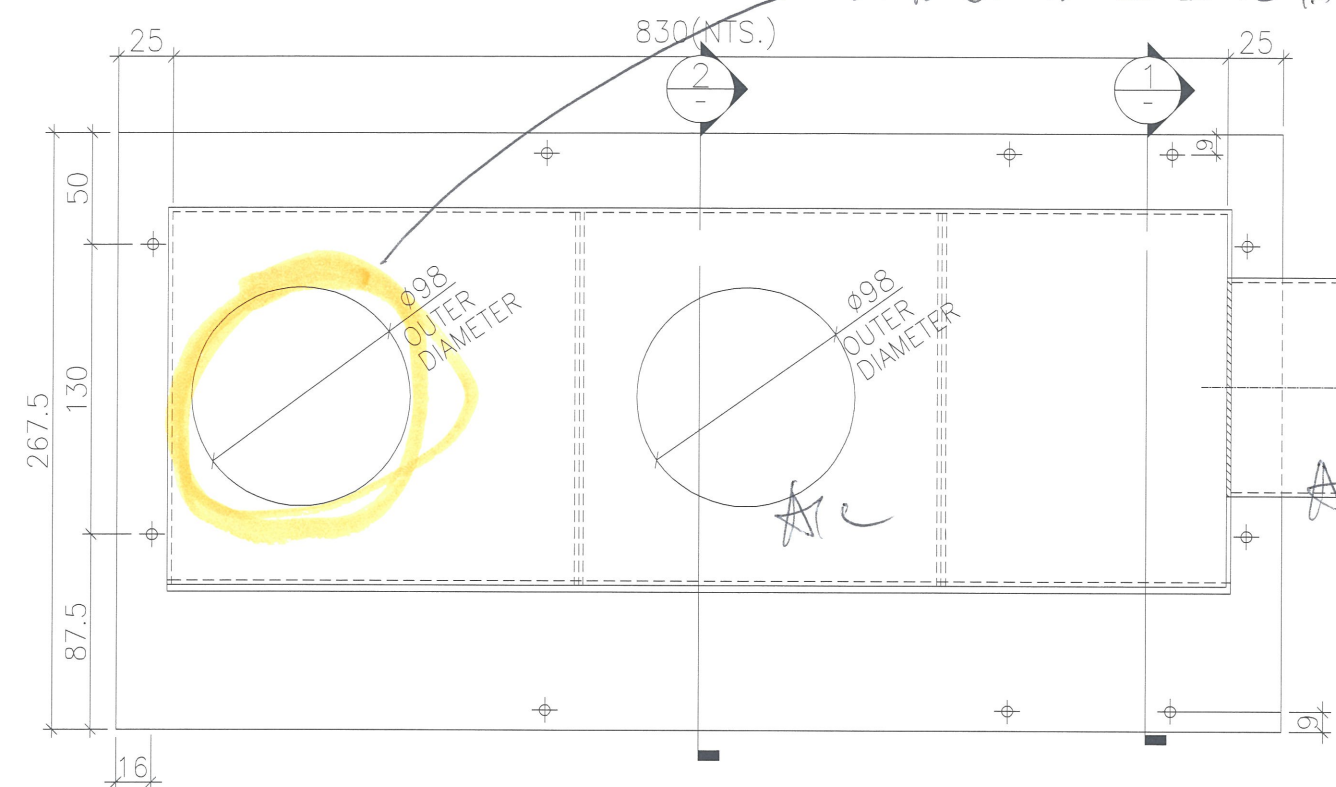
TITLE :
 TOWER AIR PLENUM BOX SCHEDULE
 (INSITU FOR KITCHEN)

DATE : 04-JUL-18 SCALE : 1:##
 DRAWN BY : Zeng CHECKED BY : DW

BOX NO.	QTY.	LOCATION	WINDOW NO.
T1P/A-K	39	6F~50F	T1W/A-1

美特鋁質有限公司
 MIDI ALUMINIUM FABRICATOR LTD.
 Units 6-8, Sunray Industrial Centre, 1/F
 610 Cha Kwo Ling Road, Kowloon
 Tel: 23489211-4 Fax: (852) 27727666
 DWG NO. : J837- PB-2115 REV. : A

只有此喉咀直径为98mm, 须订造 92mm one way flap, (閘) 摺页



BOX NO.	B	C	D	E	F	G	QTY.	LOCATION	WINDOW NO.
T2P/M-K	100	215	60	200	330	300	43	6F~55F	T2W/M-1

B.D. [REDACTED]

CLIENT : 信和置業有限公司 Sino Land Company Limited

ARCHITECT : WONG TUNG & PARTNERS LIMITED ARCHITECTS & PLANNERS

MAIN CONTRACTOR : CR Construction Company Limited

STRUCTURAL ENGINEER : AECOM

FACADE CONSULTANT:

NOTE :

- ALL DIMENSIONS ARE IN mm.
- ALL ELEVATIONS ARE VIEWED FROM OUTSIDE.
- ALL DIMENSIONS TO BE VERIFIED ON SITE BEFORE FABRICATION.

LEGEND :

X1 --- DETAIL MARK NO.
X001 --- REFER SHEET NO.

- F.F.L. --- FINISHED FLOOR LEVEL
- S.F.L. --- STRUCTURAL FLOOR LEVEL
- ⊗ --- REVERSED DETAIL

A	2019/2/13	GENERAL REVISION	Zeng
NO.	DATE	REVISD	BY

JOB NO. : J-837

PROJECT : URA KWUN TONG TOWN CENTRE REDEVELOPMENT (AREA 2 & 3) AT NKIL 6514, KWUN TONG, KOWLOON

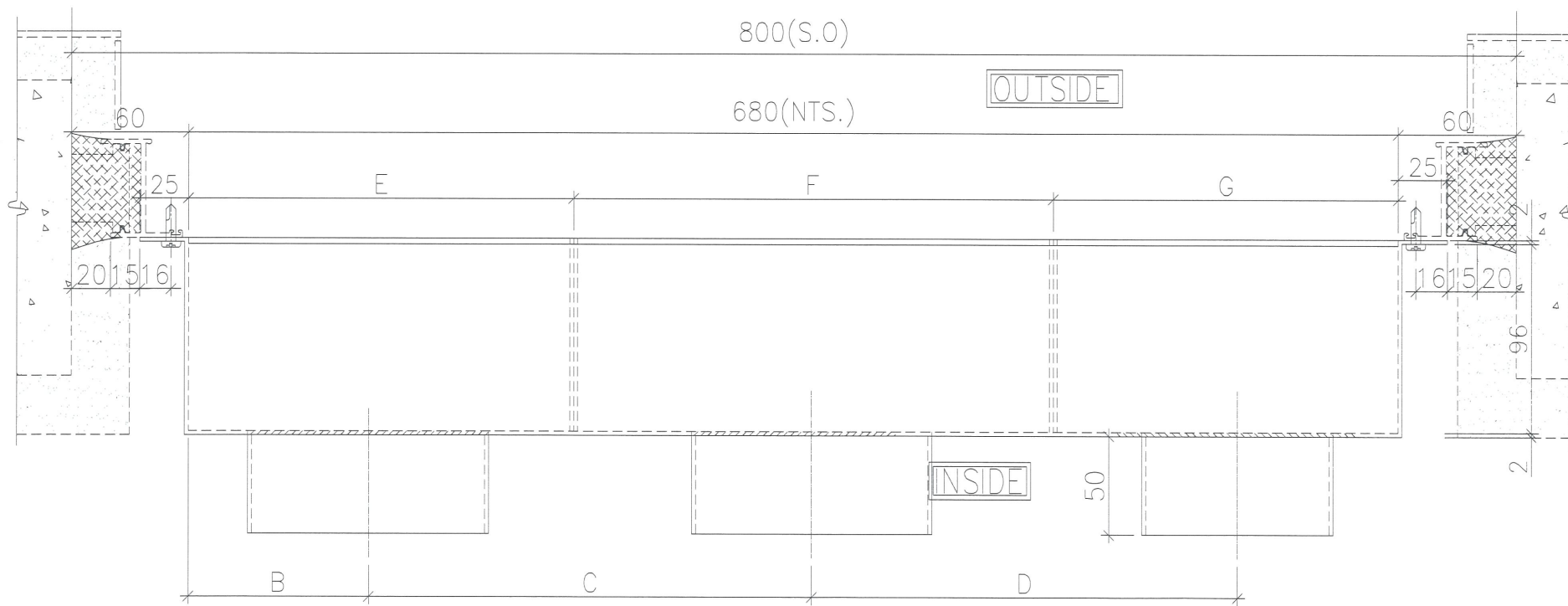
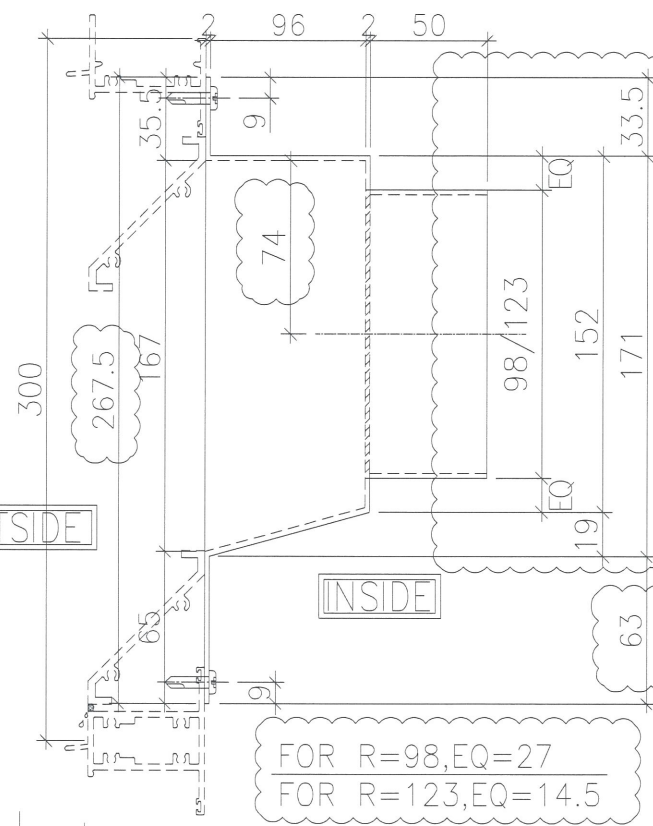
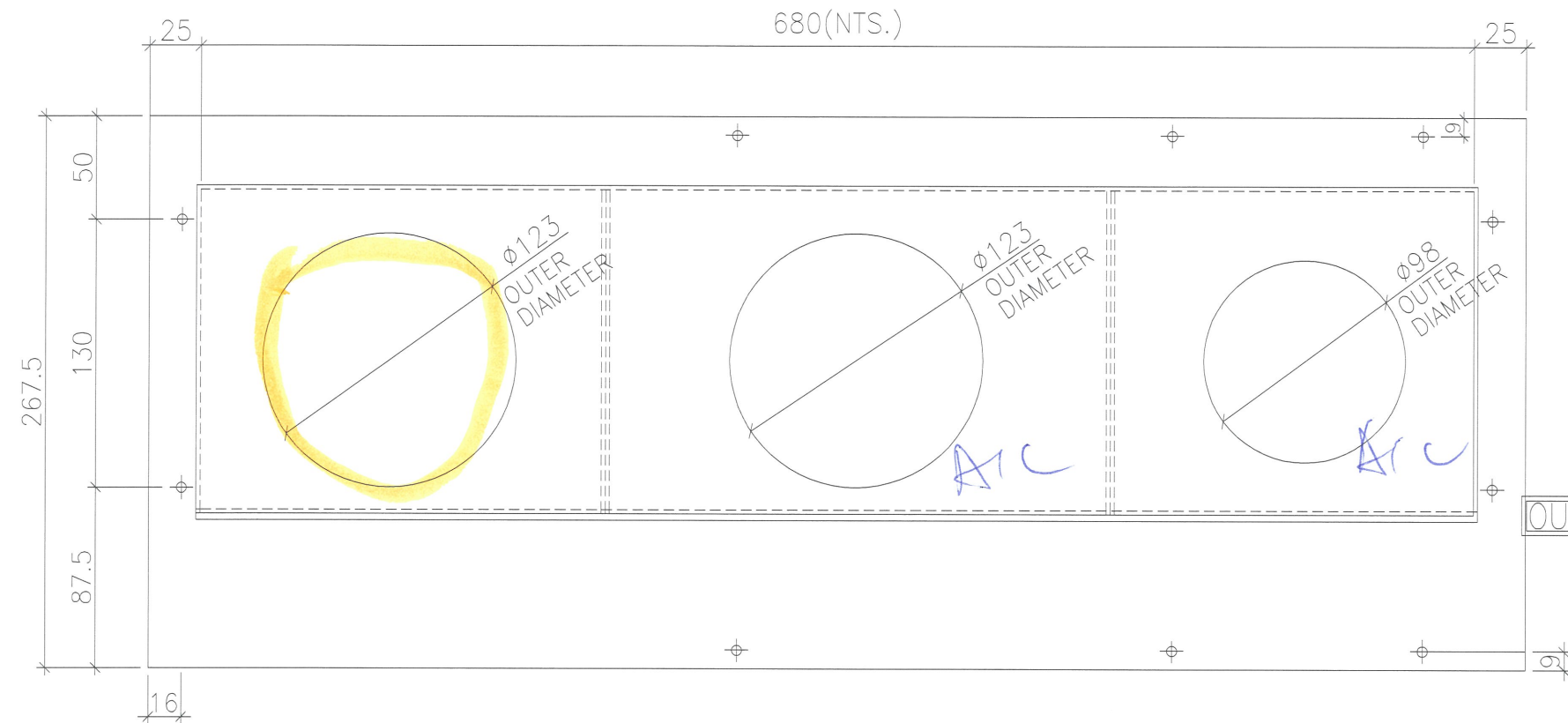
TITLE : TOWER AIR PLENUM BOX SCHEDULE (INSITU FOR KITCHEN)

DATE : 04-JUL-18 SCALE : 1:##

DRAWN BY : Zeng CHECKED BY : DW

英特鋁質有限公司
MIDI ALUMINIUM FABRICATOR LTD.
Units 6-8, Sunray Industrial Centre, 1/F
610 Cha Kwo Ling Road, Kowloon
Tel: 23489211-4 Fax: (852) 2727666

DWG NO. : JB37-PB-2116 REV. : A



BOX NO.	B	C	D	E	F	G	QTY
T5P/C-B	105	255	330	210	315	155	14

LOCATION	WINDOW NO.
6F~21F	T5W/C-1

B.D. REF :

CLIENT :
 信和置業有限公司
 Sino Land Company Limited

ARCHITECT :
 WONG TUNG & PARTNERS LIMITED
 ARCHITECTS & PLANNERS

MAIN CONTRACTOR :
 CR Construction Company Limited

STRUCTURAL ENGINEER :
 AECOM

FACADE CONSULTANT:

NOTE :
 1. ALL DIMENSIONS ARE IN mm.
 2. ALL ELEVATIONS ARE VIEWED FROM OUTSIDE.
 3. ALL DIMENSIONS TO BE VERIFIED ON SITE BEFORE FABRICATION.

LEGEND :
 X1 --- DETAIL MARK NO.
 X001 --- REFER SHEET NO.
 1. F.F.L. --- FINISHED FLOOR LEVEL
 2. S.F.L. --- STRUCTURAL FLOOR LEVEL
 3. (R) --- REVERSED DETAIL

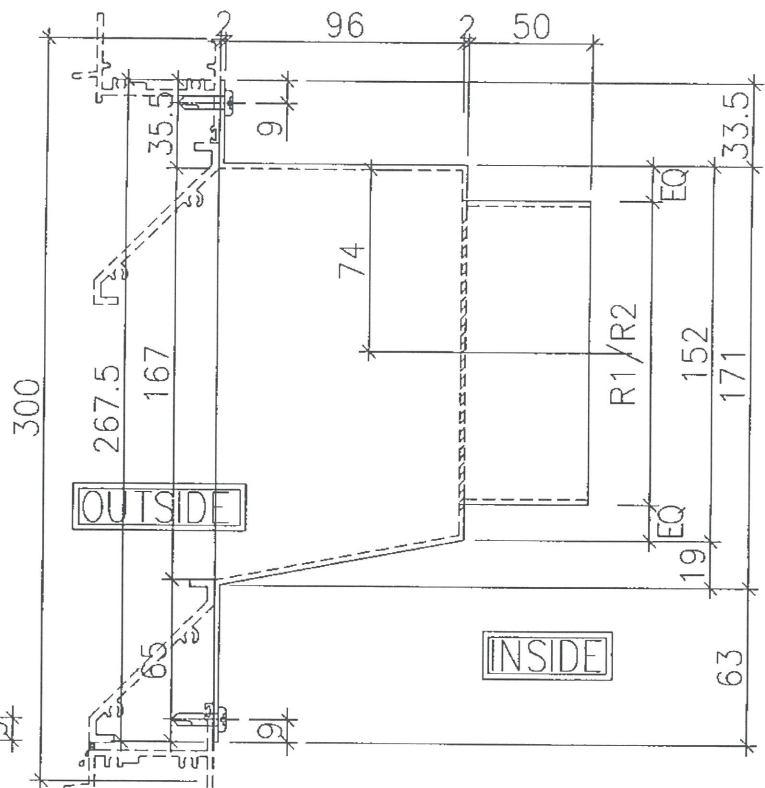
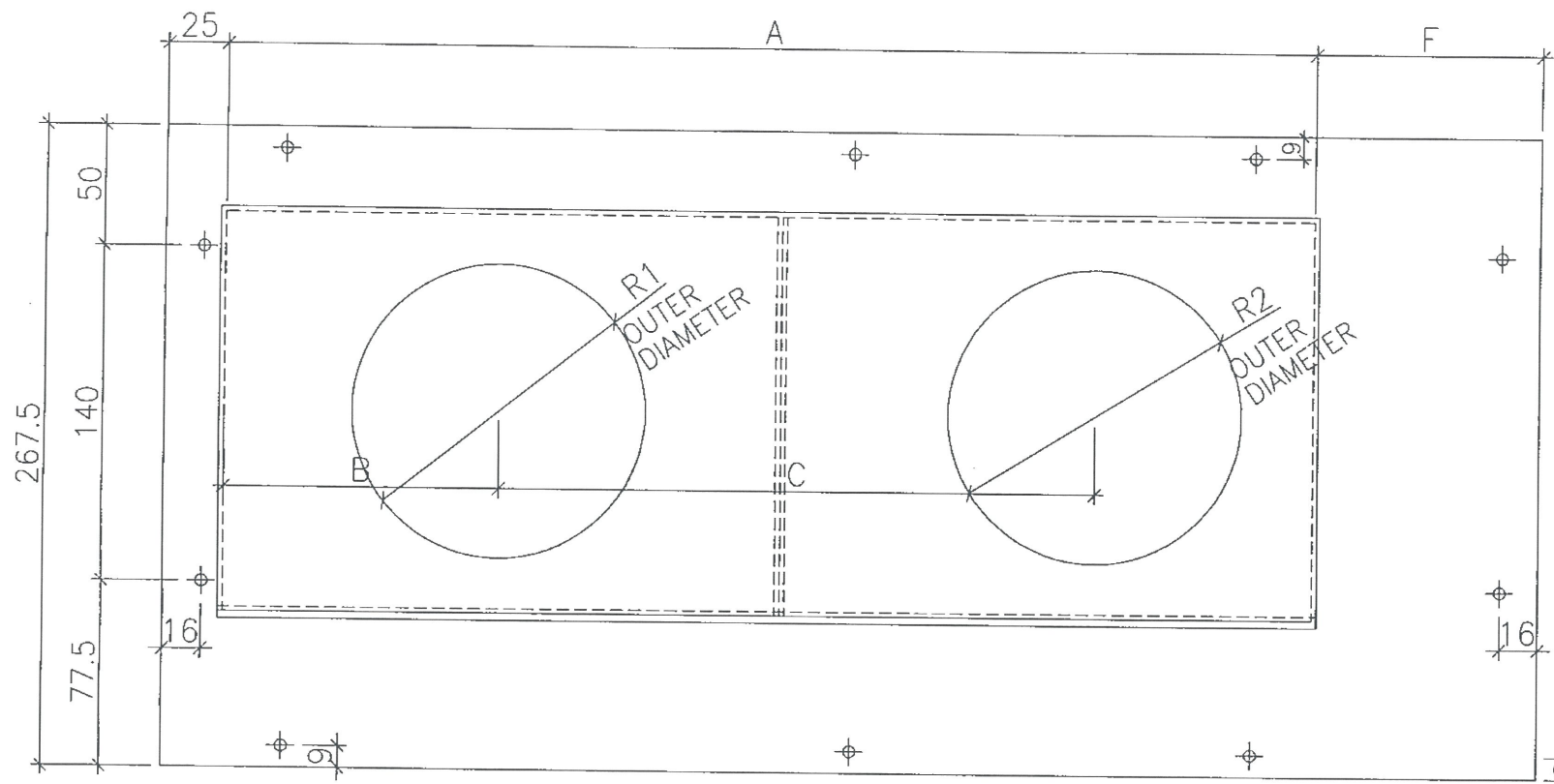
NO.	DATE	GENERAL REVISION	REVISOR	BY
A	2019/2/13			Zeng

JOB NO. : J-837
 PROJECT :
 URA KWUN TONG TOWN CENTRE
 REDEVELOPMENT (AREA 2 & 3) AT
 NKIL 6514, KWUN TONG, KOWLOON

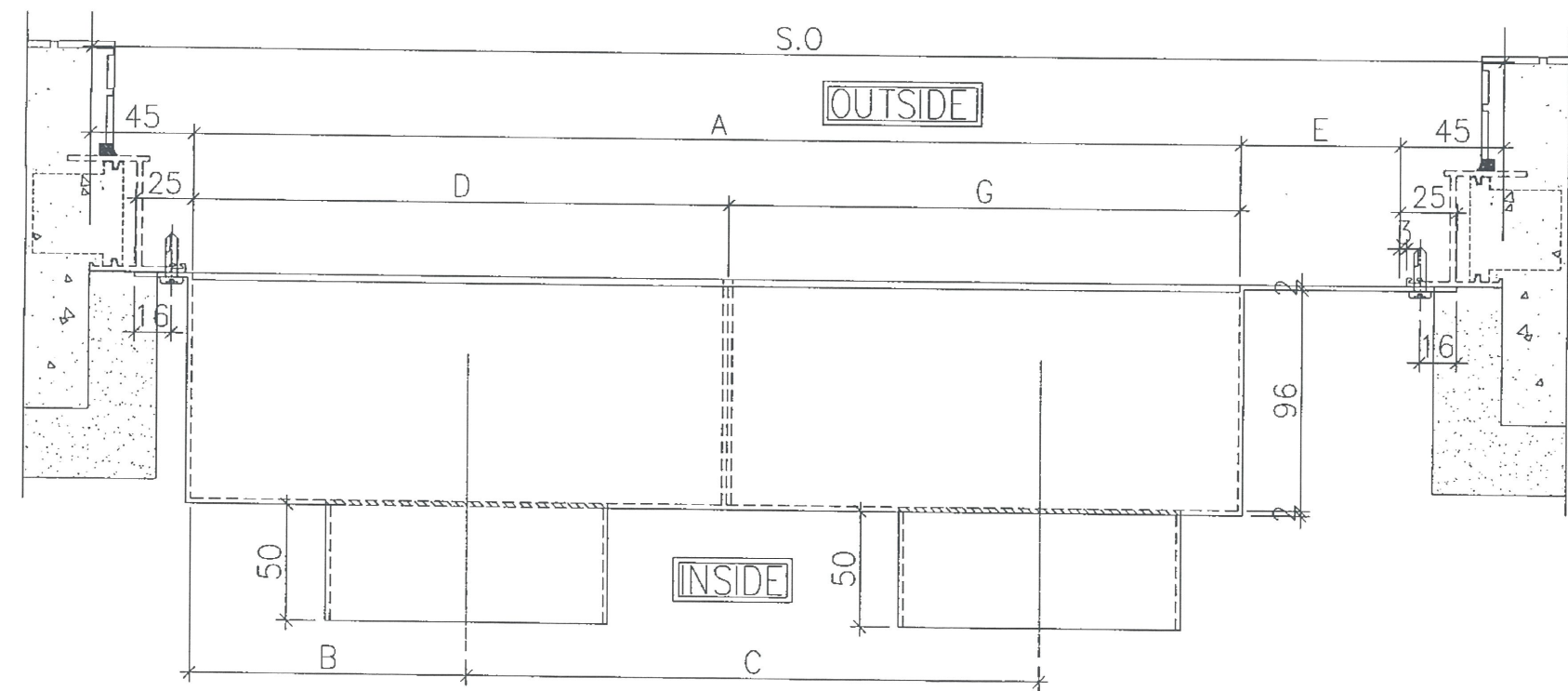
TITLE :
 TOWER AIR PLENUM BOX SCHEDULE
 (INSITU FOR BATHROOM)

DATE : 04-JUL-18 SCALE : 1:##
 DRAWN BY : Zeng CHECKED BY : DW

英特鋁質有限公司
 MIDI ALUMINIUM FABRICATOR LTD.
 Units 6-8, Sunray Industrial Centre, 1/F
 610 Cha Kwo Ling Road, Kowloon
 Tel:23489211-4 Fax:(852)27727666
 DWG NO. : J837- PB-2117 REV. : A



FOR R=98, EQ=27
FOR R=123, EQ=14.5



Arc
one way flap

BOX NO.	S.O	A	B	C	D	E	F	G	R1	R2	QTY.	LOCATION	WINDOW NO.
T2P/E-K	1050	630	190	315	380	330	355	250	98	123	43	6F~55F	T2W/E-1
T2P/F-K	700	560	100	255	200	50	75	360	123	98	43	6F~55F	T2W/F-2
T3P/F-K	700	530	170	300	250	80	105	280	123	98	40	6F~51F	T3W/F-1
T3P/B-K	950	610	125	210	250	250	275	360	123	98	41	6F~52F	T3W/B-3
T5P/G-K	900	530	115	290	230	280	225	300	123	98	39	6F~50F	T5W/G-1
T1P/B-K	1000	610	125	305	250	300	325	360	123	98	39	6F~50F	T1W/B-1

62033E

(F=280+25=305) 修改版 F

B.D. REF :

CLIENT : 信和置業有限公司 Sino Land Company Limited

ARCHITECT : WONG TUNG & PARTNERS LIMITED ARCHITECTS & PLANNERS

MAIN CONTRACTOR : CR Construction Company Limited

STRUCTURAL ENGINEER : AECOM

FACADE CONSULTANT:

NOTE:
1. ALL DIMENSIONS ARE IN mm.
2. ALL ELEVATIONS ARE VIEWED FROM OUTSIDE.
3. ALL DIMENSIONS TO BE VERIFIED ON SITE BEFORE FABRICATION.

LEGEND:
x1 - DETAIL MARK NO.
x001 - REFER SHEET NO.

1. F.F.L. -- FINISHED FLOOR LEVEL
2. S.F.L. -- STRUCTURAL FLOOR LEVEL
3. (R) -- REVERSED DETAIL

NO.	DATE	GENERAL REVISION	REVISOR	BY
A	2019/3/12			Zeng

JOB NO. : J-837

PROJECT : URA KWUN TONG TOWN CENTRE REDEVELOPMENT (AREA 2 & 3) AT NKIL 6514, KWUN TONG, KOWLOON

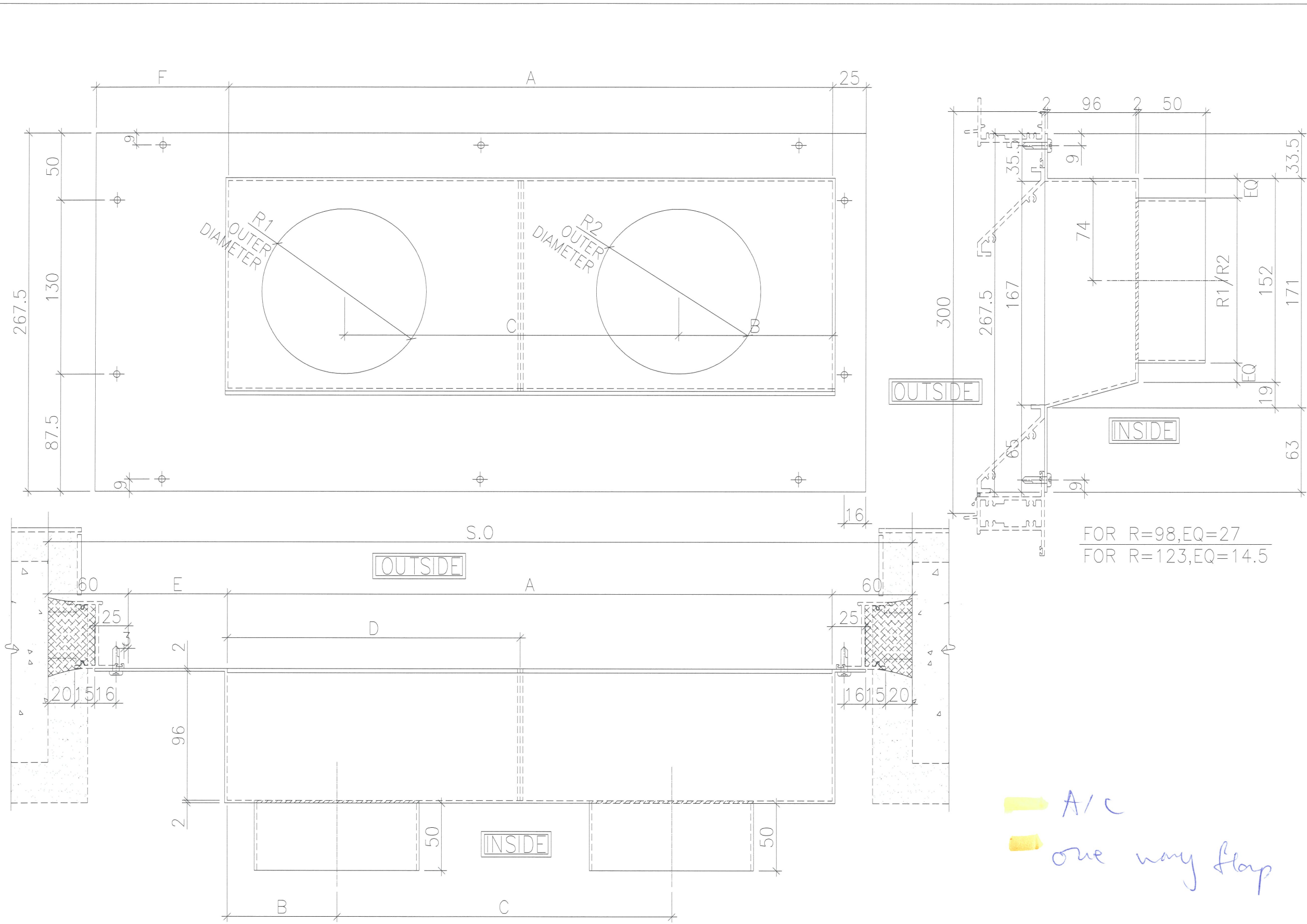
TITLE : TOWER AIR PLENUM BOX SCHEDULE (PRECAST FOR KITCHEN)

DATE : 04-JUL-18 SCALE : 1:##

DRAWN BY : Zeng CHECKED BY : DW

MIDI ALUMINIUM FABRICATOR LTD.
Units 6-8, Sunray Industrial Centre, 1/F
610 Cha Kwo Ling Road, Kowloon
Tel: 23489211-4 Fax: (852) 27727666

DWG NO. : JB37- PB-2118 REV. : A



B.D. REF :

CLIENT :
 信和置業有限公司
 Sino Land Company Limited

ARCHITECT :
 WONG TUNG & PARTNERS LIMITED
 ARCHITECTS & PLANNERS

MAIN CONTRACTOR :
 CR Construction Company Limited

STRUCTURAL ENGINEER :
 AECOM

FACADE CONSULTANT:

NOTE :
 1. ALL DIMENSIONS ARE IN mm.
 2. ALL ELEVATIONS ARE VIEWED FROM OUTSIDE.
 3. ALL DIMENSIONS TO BE VERIFIED ON SITE BEFORE FABRICATION.

LEGEND :
 X1 --- DETAIL MARK NO.
 X001 --- REFER SHEET NO.
 1. F.F.L. --- FINISHED FLOOR LEVEL
 2. S.F.L. --- STRUCTURAL FLOOR LEVEL
 3. (R) --- REVERSED DETAIL

FOR R=98, EQ=27
 FOR R=123, EQ=14.5

A/c
 one way flap

NO.	DATE	REVISED	BY
-----	------	---------	----

JOB NO. : J-837

PROJECT :
 URA KWUN TONG TOWN CENTRE
 REDEVELOPMENT (AREA 2 & 3) AT
 NKIL 6514, KWUN TONG, KOWLOON

TITLE :
 TOWER AIR PLENUM BOX SCHEDULE
 (INSITU FOR KITCHEN)

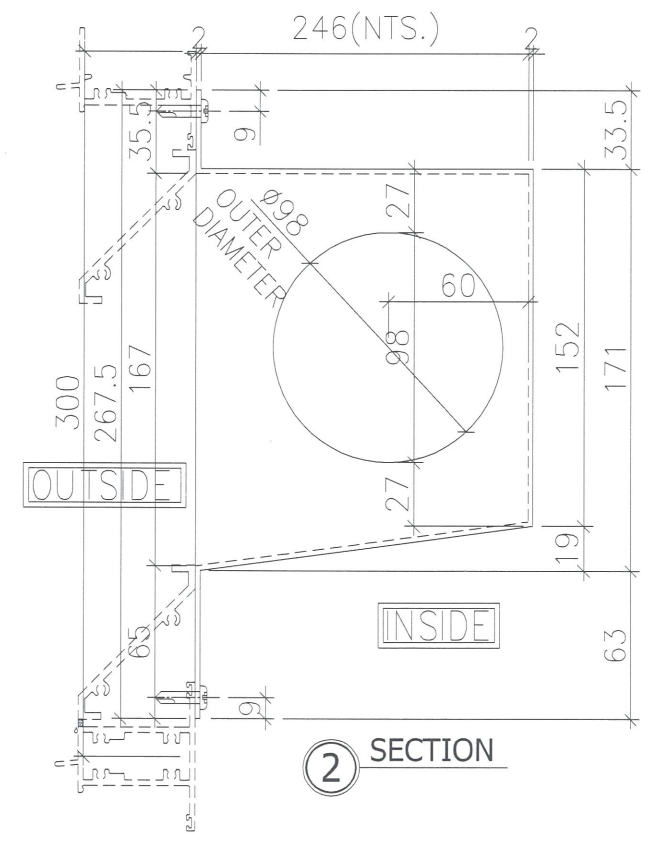
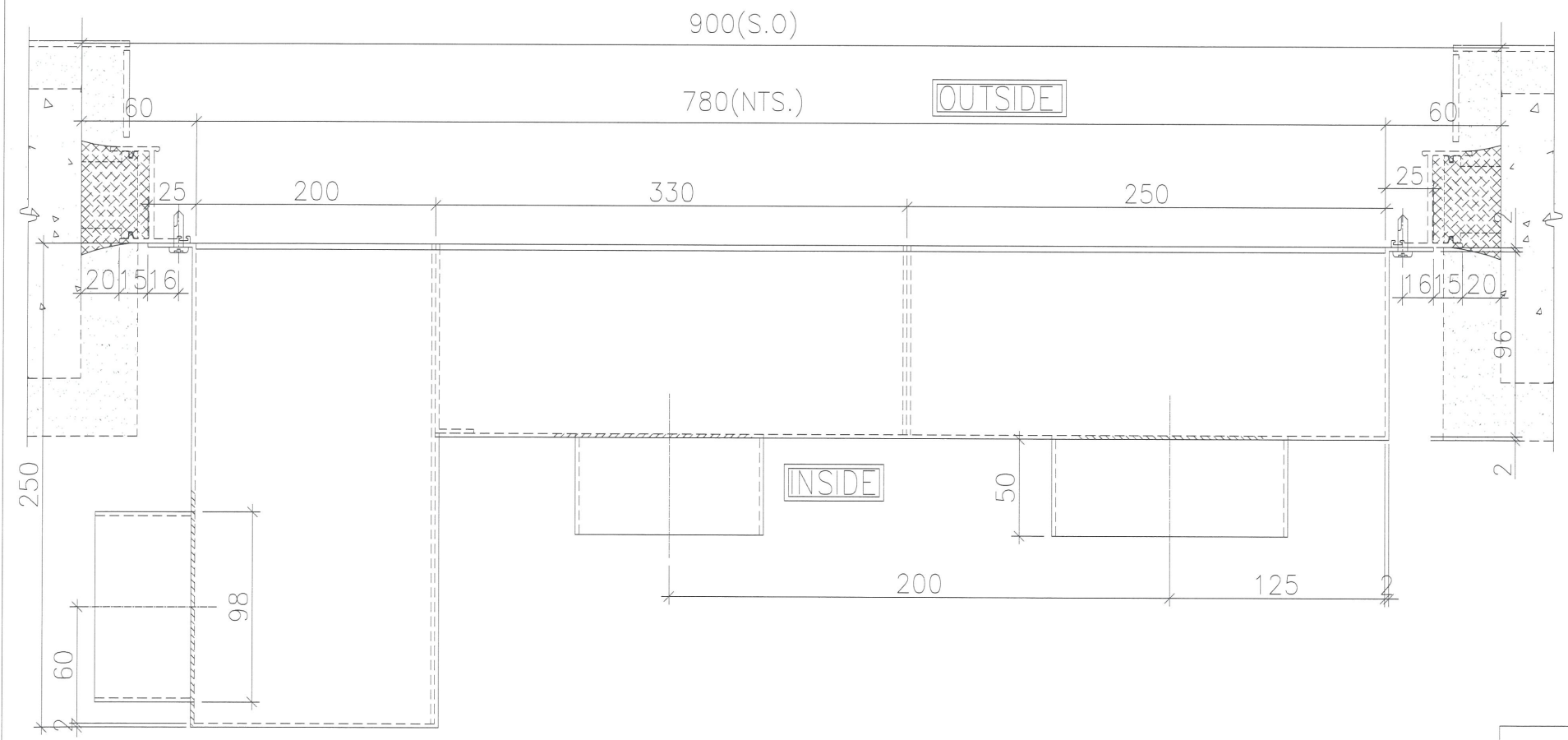
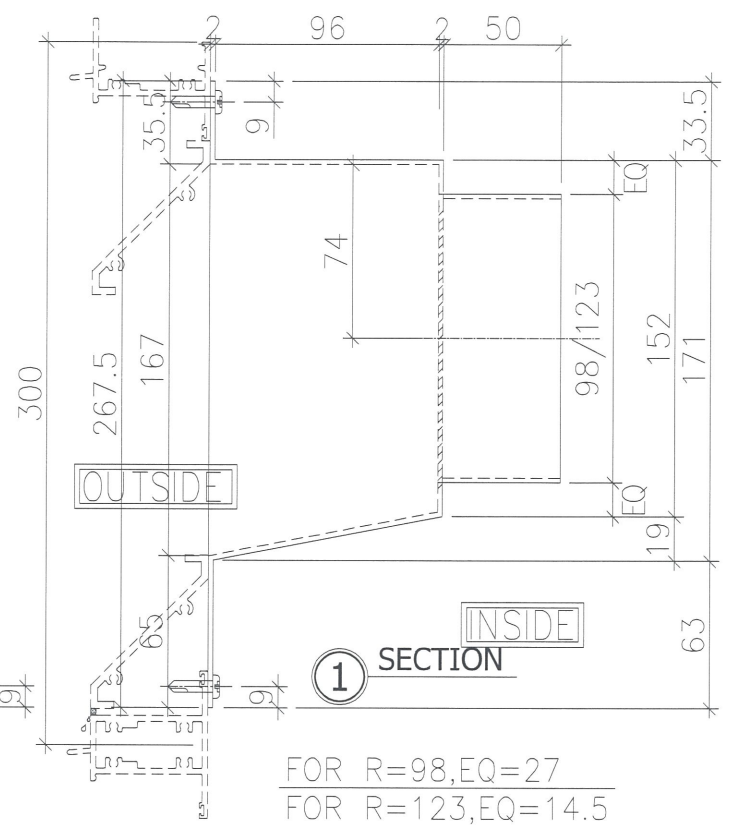
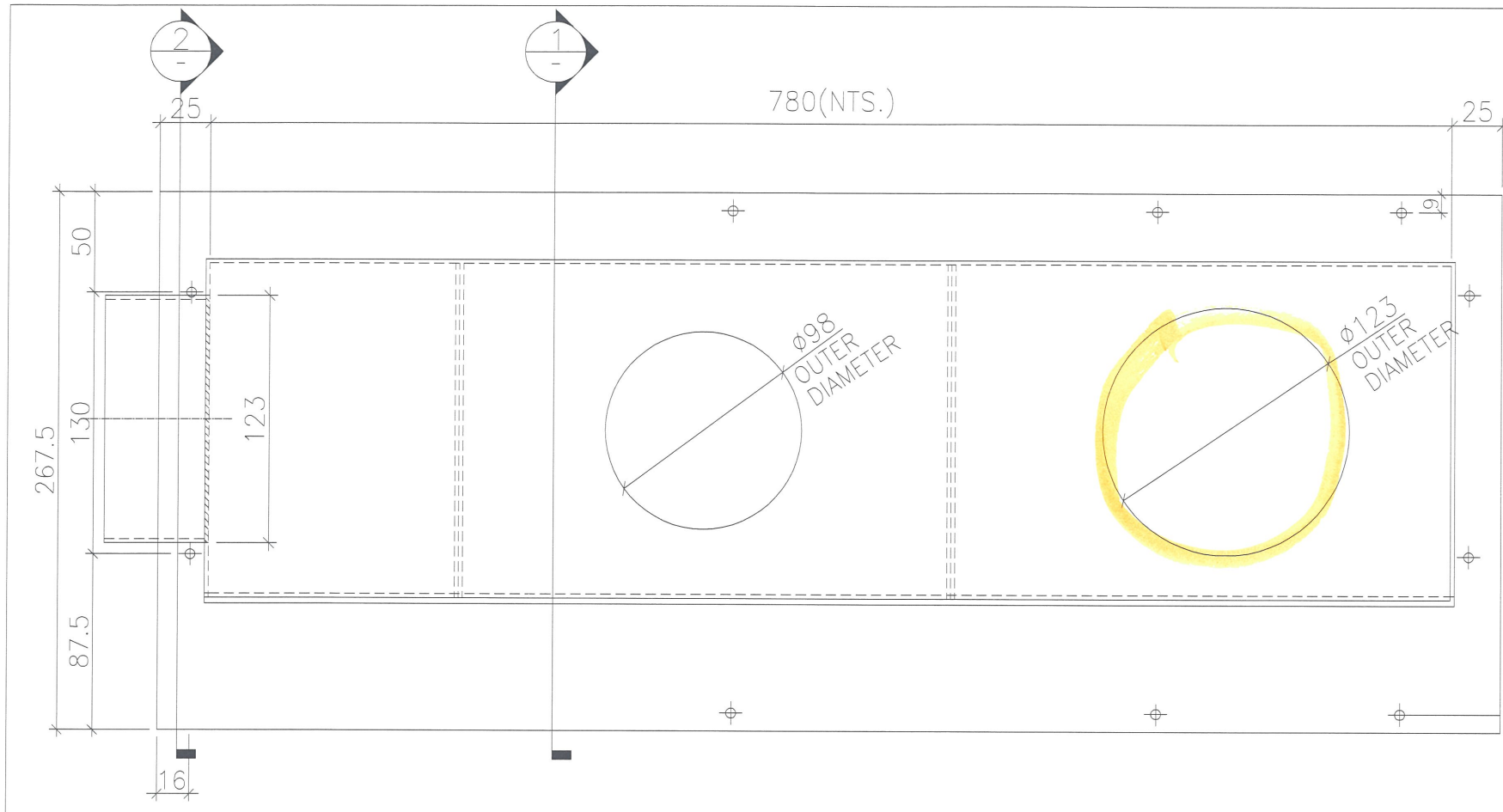
DATE : 04-JUL-18 SCALE : 1:##

DRAWN BY : Zeng CHECKED BY : DW

英特鋁質有限公司
 MIDI ALUMINIUM FABRICATOR LTD.
 Units 6-8, Sunray Industrial Centre, 1/F
 610 Cha Kwo Ling Road, Kowloon
 Tel:23489211-4 Fax:(852)2727666

DWG NO. : J837- PB-2120 REV. : -

BOX NO.	S.O	A	B	C	D	E	F	R1	R2	QTY.	LOCATION	WINDOW NO.
T5P/A-K	1190	760	180	380	360	320	345	98	123	39	6F~50F	T5W/A-1



BOX NO.	D	E	F	G	QTY.	LOCATION	WINDOW NO.
T5P/C-K	105	255	280	145	25	22F~50F	T5W/C-2

B.D. REF :

CLIENT :
 信和置業有限公司
 Sino Land Company Limited

ARCHITECT :
 WONG TUNG & PARTNERS LIMITED
 ARCHITECTS & PLANNERS

MAIN CONTRACTOR :
 CR Construction Company Limited

STRUCTURAL ENGINEER :
 AECOM

FACADE CONSULTANT :

NOTE :
 1. ALL DIMENSIONS ARE IN mm.
 2. ALL ELEVATIONS ARE VIEWED FROM OUTSIDE.
 3. ALL DIMENSIONS TO BE VERIFIED ON SITE BEFORE FABRICATION.

LEGEND :
 DETAIL MARK NO.
 REFER SHEET NO.
 1. F.F.L. --- FINISHED FLOOR LEVEL
 2. S.F.L. --- STRUCTURAL FLOOR LEVEL
 3. --- REVERSED DETAIL

NO.	DATE	REVISED	BY
-----	------	---------	----

JOB NO. : J-837

PROJECT :
 URA KWUN TONG TOWN CENTRE
 REDEVELOPMENT (AREA 2 & 3) AT
 NKIL 6514, KWUN TONG, KOWLOON

TITLE :
 TOWER AIR PLENUM BOX SCHEDULE
 (INSITU FOR BATHROOM)

DATE : 04-JUL-18 SCALE : 1:##


DRAWN BY : Zeng CHECKED BY : DW

美特鋁質有限公司
 MIDI ALUMINUM FABRICATOR LTD.
 Units 6-8, Sunray Industrial Centre, 1/F
 610 Cha Kwo Ling Road, Kowloon
 Tel:23489211-4 Fax:(852)27727666
 DWG NO. : J837- PB-2121 REV. : -

B.D. REF :

CLIENT :
 信和置業有限公司
 Sino Land Company Limited



ARCHITECT :
 WONG TUNG & PARTNERS LIMITED
 ARCHITECTS & PLANNERS

MAIN CONTRACTOR :
 CR Construction Company Limited

STRUCTURAL ENGINEER :
 AECOM

FACADE CONSULTANT :

NOTE :
 1. ALL DIMENSIONS ARE IN mm.
 2. ALL ELEVATIONS ARE VIEWED FROM OUTSIDE.
 3. ALL DIMENSIONS TO BE VERIFIED ON SITE BEFORE FABRICATION.

LEGEND :
 DETAIL MARK NO.
 REFER SHEET NO.
 1. F.F.L. --- FINISHED FLOOR LEVEL
 2. S.F.L. --- STRUCTURAL FLOOR LEVEL
 3. (R) --- REVERSED DETAIL

NO.	DATE	REVISED	BY
-----	------	---------	----

JOB NO. : J-837

PROJECT :
 URA KWUN TONG TOWN CENTRE
 REDEVELOPMENT (AREA 2 & 3) AT
 NKIL 6514, KWUN TONG, KOWLOON

TITLE :

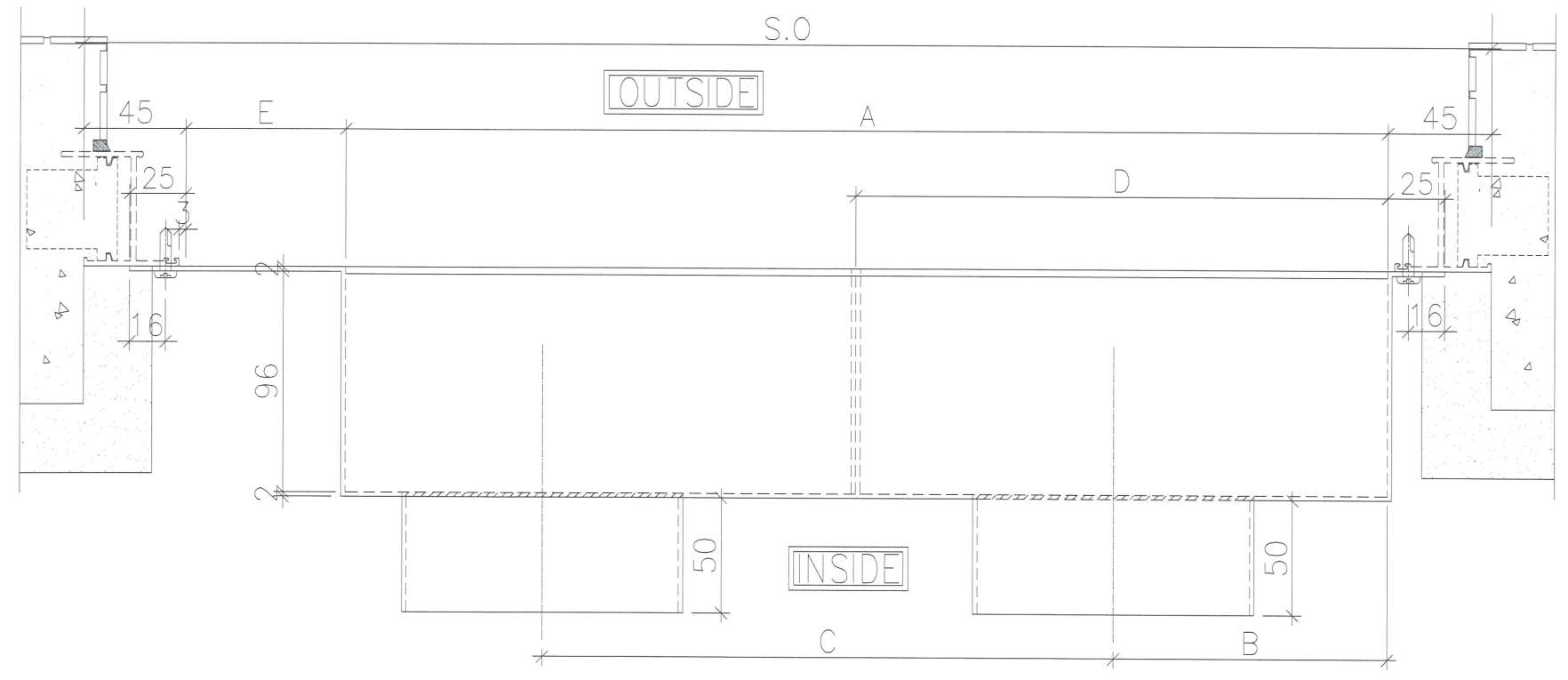
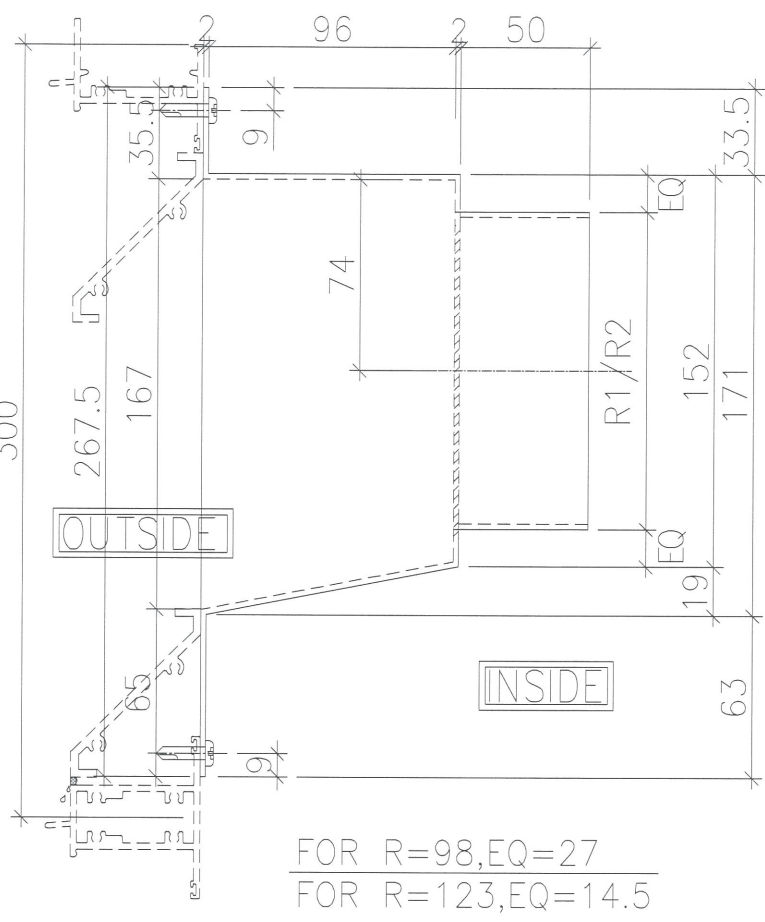
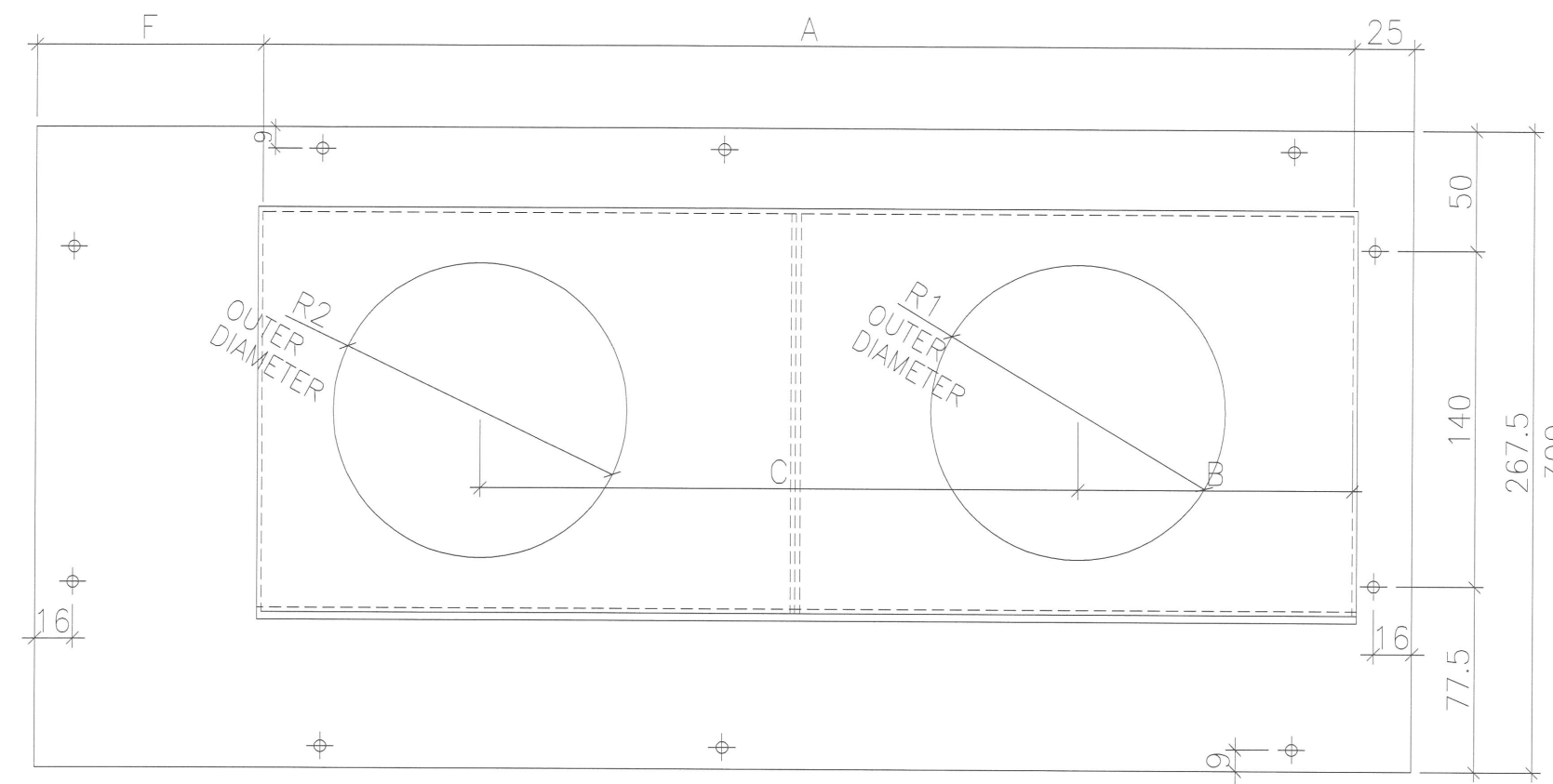
TOWER AIR PLENUM BOX SCHEDULE
 (PRECAST FOR KITCHEN)

DATE : 04-JUL-18 SCALE##

DRAWN BY : Zeng CHECKED BY : DW

 美特鋁質有限公司
 MIDI ALUMINIUM FABRICATOR LTD.
 Units 6-8, Sunray Industrial Centre, 1/F
 610 Cha Kwo Ling Road, Kowloon
 Tel: 23489211-4 Fax: (852) 2727666

DWG NO. : J888-2122 REV. :



Arc
one way flap

BOX NO.	S.O	A	B	C	D	E	R1	R2	QTY.	LOCATION	WINDOW NO.
T5P/N-K	700	510	100	225	200	100	123	98	39	6F~50F	T5W/N-3
T1P/F-K	700	510	260	160	330	100	123	98	39	6F~50F	T1W/F-1
T3P/L-K	900	640	125	200	250	170	123	98	41	6F~52F	T3W/L-1