



## 工程指示 / 要求簡箋(E.I.)

工程指示編號：EI / 0233 / 19

修改版次：I

工程編號：J - 837

工程名稱：觀塘裕民坊

工程項目：Plenum Box 大貨

收件人：Maggie

發件人：Bessie Lau

日期：17/06/2019

□要求提供 / □確認 事項：

- |                                    |                                     |                               |
|------------------------------------|-------------------------------------|-------------------------------|
| <input type="checkbox"/> 初步鋁料 B.M. | <input type="checkbox"/> 加工拆圖，然後生產  | <input type="checkbox"/> 尺寸表  |
| <input type="checkbox"/> 正式鋁料 B.M. | <input type="checkbox"/> 技術上資料 / 指示 | <input type="checkbox"/> 報價   |
| <input type="checkbox"/> 配件 B.M.   | <input type="checkbox"/> 樣辦或貨品說明書   | <input type="checkbox"/> 分判合約 |
| <input type="checkbox"/> 其他：_____  |                                     |                               |

生產大貨以附圖為準。

內容：

煩請按附件圖紙放行 Plenum Box 大貨

1. 圖號 PB2121 圖紙待定，此箱確定圖紙後先做一件（由於此件位置是 HIGH ZONE，之前沒有做過樣辦）
2. 之前已做 8/F 辦房的 Plenum Box，但由於部分圖紙設計有修改，所以部分 8/F Plenum Box 須重做，已在附件圖紙中註明哪些要重做 8/F Plenum Box
3. 出貨標籤須註明：
  - A. Plenum Box 編號
  - B. 使用樓層
  - C. 使用單位
4. 分座數及分樓層出貨
5. 因地盤現場暫沒有空間存貨，首批出貨先送各座 5 層(先暫定分 8 次出貨，實際出貨次數待地盤確定)
6. 出貨日期：第一批(5 層) - 10/7/2019，其餘批次待地盤通知
7. 各座不須做 Plenum Box 的樓層：13/F, 14/F, 24/F, 27/F, 34/F, 44/F, 54/F
8. 須安裝風咀的位置已在圖紙中標示，以 PB2103 為例，圖中 R1 及 R2 的位置都有畫風咀(ONE WAY FLAP( R=123 ONLY))，意思是 R1 或 R2=123mm 均須安裝風咀
9. 只有直徑為 123mm 的喉咀才須安裝風咀，但不是所有直徑為 123mm 的喉咀都要裝風咀的，以 PB2102 為例，圖中沒有畫風咀(ONE WAY FLAP)，所以此箱不用安裝風咀。
10. 風咀按附圖 SK-01 安裝
11. 部分 Plenum Box 須修改以達到升高喉咀之效果(參考 EI0233H)，圖號包括：PB-2101A, PB-2104A, PB-2105A, PB-2107, PB-2108, PB-2114  
之做法

已把此 EI 電郵給鴻鵠。

請在 \_\_\_\_\_ 前完成上列要求。

附有關圖紙 / 文件：

以上項目為：

 原合約工程包 原合約工程加 / 減賬 新工程報價

分發東莞各部門：

- ( ) 生產技術總監  連附件 ( ) 技術部  連附件 ( ) 生產部  連附件 ( ) 機械設計部  連附件  
( ) 採購部  連附件 ( ) 生產統籌部  連附件  
( ) 質檢部  連附件 ( ) 會計部  連附件 ( ) 報關組  連附件 ( ) 其他 \_\_\_\_\_  連附件
- 

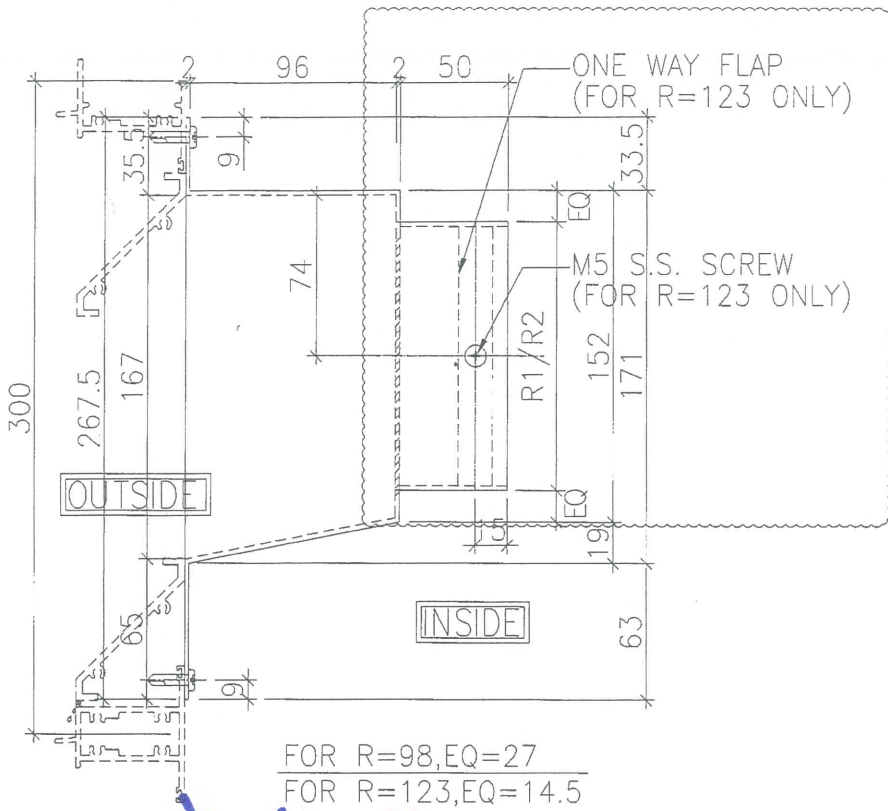
分發香港各部門：

- ( ) 行政部  連附件 ( ) 會計部  連附件 ( ) 統籌部  連附件 ( ) 工程部地盤科文  連附件  
( ) 採購部  連附件 ( ) QS 部  連附件 ( ) 維修部  連附件 ( ) 其他 \_\_\_\_\_  連附件

傳遞編號：

發件人簽署：

項目經理簽署：



B.D. REF :

CLIENT :



信和置業有限公司  
Sino Land Company Limited

ARCHITECT :

WONG TUNG & PARTNERS LIMITED  
ARCHITECTS & PLANNERS



MAIN CONTRACTOR :



CR Construction Company Limited

STRUCTURAL ENGINEER :

**AZCOM**

FACADE CONSULTANT:

NOTE :

1. ALL DIMENSIONS ARE IN mm.
2. ALL ELEVATIONS ARE VIEWED FROM OUTSIDE.
3. ALL DIMENSIONS TO BE VERIFIED ON SITE

安裝風咀如下:

① 風咀收口之粒 M5 平頭  
不銹鋼螺絲,

② 箱子(室外)內徑圍邊呔膠

SK-01

PROJECT :

全卷用

11/6/19

5

**URA KWUN TONG TOWN CENTRE  
REDEVELOPMENT (AREA 2 & 3) AT NKIL 6514, KWUN TONG, KOWLOON**

**TITLE : SHOP DRAWING FOR  
ALUMINIUM AIR PLENUM BOX (FOR TOWER 1 TO TOWER 5) (FROM 6/F TO 55/F)**

**DATE: 10 - JUN - 2019**

☆有修改的圖紙 (按 wong 24 修改)

# DRAWING SUBMISSION REGISTER

PROJECT: URA KWUN TONG TOWN CENTRE REDEVELOPMENT (AREA 2 & 3) AT NKIL 6514, KWUN TONG, KOWLOON	DATE OF ISSUE						SUBMISSION STATE (FOR B.D / A.S.D)			SUBMISSION STATE (FOR CLIENT / CONSULTANT)			SUBMISSION STATE (FOR ARCHITECT)			FABRICATION / CONSTRUCTION STATE					
	ISSUE	01	02	03	04	05	AP - APPROVED			AP - APPROVED			AP - APPROVED			ISSUE TO CHINA OFFICE		ISSUE TO SITE		ISSUE TO SUB-CONTRACTOR	
	DAY	22	13	04	02	10	AC - APPROVED SUB. TO CONDITION			AC - APPROVED SUB. TO CONDITION			AC - APPROVED SUB. TO CONDITION								
	MONTH	01	02	03	04	06	NA - NOT APPROVED			NA - NOT APPROVED			NA - NOT APPROVED								
	YEAR	19	19	19	19	19															
DRAWING TITLE	DWG. NO.	REVISIONS				COMMENT DATE	REV.	STATE	COMMENT DATE	REV.	STATE	COMMENT DATE	REV.	STATE	REV.	DATE	REV.	DATE	REV.	DATE	
COVERPAGE	J-837-PB-0000	-	A	B	C	D															
DRAWING SUBMISSION REGISTER	J-837-PB-0001	-	A	B	C	D															
ALUMINIUM AIR PLENUM BOX SCHEDULE	J-837-PB-2101	-	A	B	B	C															
ALUMINIUM AIR PLENUM BOX SCHEDULE	J-837-PB-2101A																				
ALUMINIUM AIR PLENUM BOX SCHEDULE	J-837-PB-2102	-	A	A	A	A															
ALUMINIUM AIR PLENUM BOX SCHEDULE	J-837-PB-2103	-	A	A	B	B															
ALUMINIUM AIR PLENUM BOX SCHEDULE	J-837-PB-2103A																				
ALUMINIUM AIR PLENUM BOX SCHEDULE	J-837-PB-2104	-	A	B	C	D															
ALUMINIUM AIR PLENUM BOX SCHEDULE	J-837-PB-2104A																				
ALUMINIUM AIR PLENUM BOX SCHEDULE	J-837-PB-2105	-	A	A	A	B															
ALUMINIUM AIR PLENUM BOX SCHEDULE	J-837-PB-2105A																				
ALUMINIUM AIR PLENUM BOX SCHEDULE	J-837-PB-2106	-	A	A	B	B															
ALUMINIUM AIR PLENUM BOX SCHEDULE	J-837-PB-2107	-	A	A	A	B															
ALUMINIUM AIR PLENUM BOX SCHEDULE	J-837-PB-2108	-	A	A	A	B															
ALUMINIUM AIR PLENUM BOX SCHEDULE	J-837-PB-2109	-	A	A	B	B															
ALUMINIUM AIR PLENUM BOX SCHEDULE	J-837-PB-2110	-	A	A	B	B															
ALUMINIUM AIR PLENUM BOX SCHEDULE	J-837-PB-2111	-	A	A	B	B															
ALUMINIUM AIR PLENUM BOX SCHEDULE	J-837-PB-2112	-	A	A	B	B															
ALUMINIUM AIR PLENUM BOX SCHEDULE	J-837-PB-2113	-	A	A	B	B															
ALUMINIUM AIR PLENUM BOX SCHEDULE	J-837-PB-2114	-	A	A	A	B															
ALUMINIUM AIR PLENUM BOX SCHEDULE	J-837-PB-2115	-	A	A	A	A															
ALUMINIUM AIR PLENUM BOX SCHEDULE	J-837-PB-2116	-	A	A	B	B															
ALUMINIUM AIR PLENUM BOX SCHEDULE	J-837-PB-2117	-	A	DELETE																	
ALUMINIUM AIR PLENUM BOX SCHEDULE	J-837-PB-2118	-	A	B	B																
ALUMINIUM AIR PLENUM BOX SCHEDULE	J-837-PB-2119	-	-	A	A																
ALUMINIUM AIR PLENUM BOX SCHEDULE	J-837-PB-2120	-	-	A	A																
ALUMINIUM AIR PLENUM BOX SCHEDULE	J-837-PB-2121	-	-	A	B																
ALUMINIUM AIR PLENUM BOX SCHEDULE	J-837-PB-2122	-	A	B	B																
FULL PLAN LAYOUT(FOR T1 6/F FLOOR PLAN)	J-837-PB-3101	-	-	-	-	-															
FULL PLAN LAYOUT(FOR T1 TYPICAL FLOOR PLAN)	J-837-PB-3102	-	-	-	-	-															
FULL PLAN LAYOUT(FOR T1 50/F FLOOR PLAN)	J-837-PB-3103	-	-	-	-	-															
FULL PLAN LAYOUT(FOR T2 6/F FLOOR PLAN)	J-837-PB-3201	-	-	-	-	-															
FULL PLAN LAYOUT(FOR T2 TYPICAL FLOOR PLAN)	J-837-PB-3202	-	-	-	-	-															
FULL PLAN LAYOUT(FOR T2 55/F FLOOR PLAN)	J-837-PB-3203	-	A	A	A	A															
FULL PLAN LAYOUT(FOR T3 6/F FLOOR PLAN)	J-837-PB-3301	-	-	-	-	-															
FULL PLAN LAYOUT(FOR T3 TYPICAL FLOOR PLAN)	J-837-PB-3302	-	-	-	-	-															
FULL PLAN LAYOUT(FOR T3 52/F FLOOR PLAN)	J-837-PB-3303	-	-	-	-	-															
FULL PLAN LAYOUT(FOR T5 6/F FLOOR PLAN)	J-837-PB-3501	-	-	A	A	A															
LOW ZONE LAYOUT(FOR T5 7/F-21/F FLOOR PLAN)	J-837-PB-3502	-	-	A	A	A															
HIGH ZONE LAYOUT(FOR T5 22/F-26F&28/F-50F FLOOR PLAN)	J-837-PB-3503	-	-	-	-	-															
FULL PLAN LAYOUT(FOR T5 51/F FLOOR PLAN)	J-837-PB-3504	-	A	A	A	A															

☆新增加

☆新增加

☆新增加

☆

☆

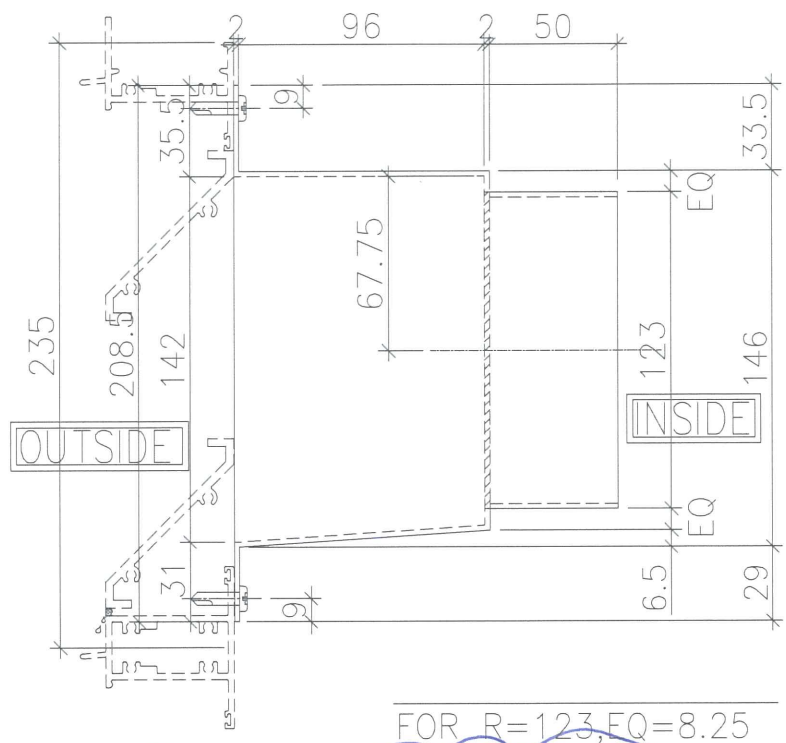
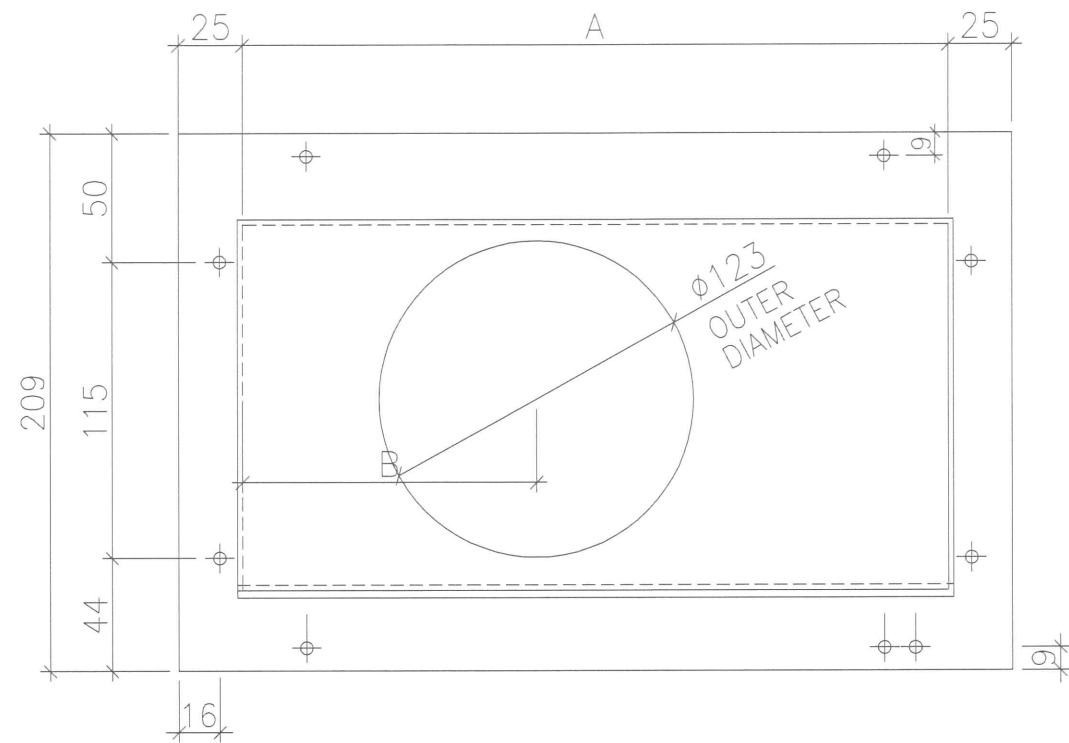
☆

☆ (不是撞 linear guide) 未做圖樣紙!

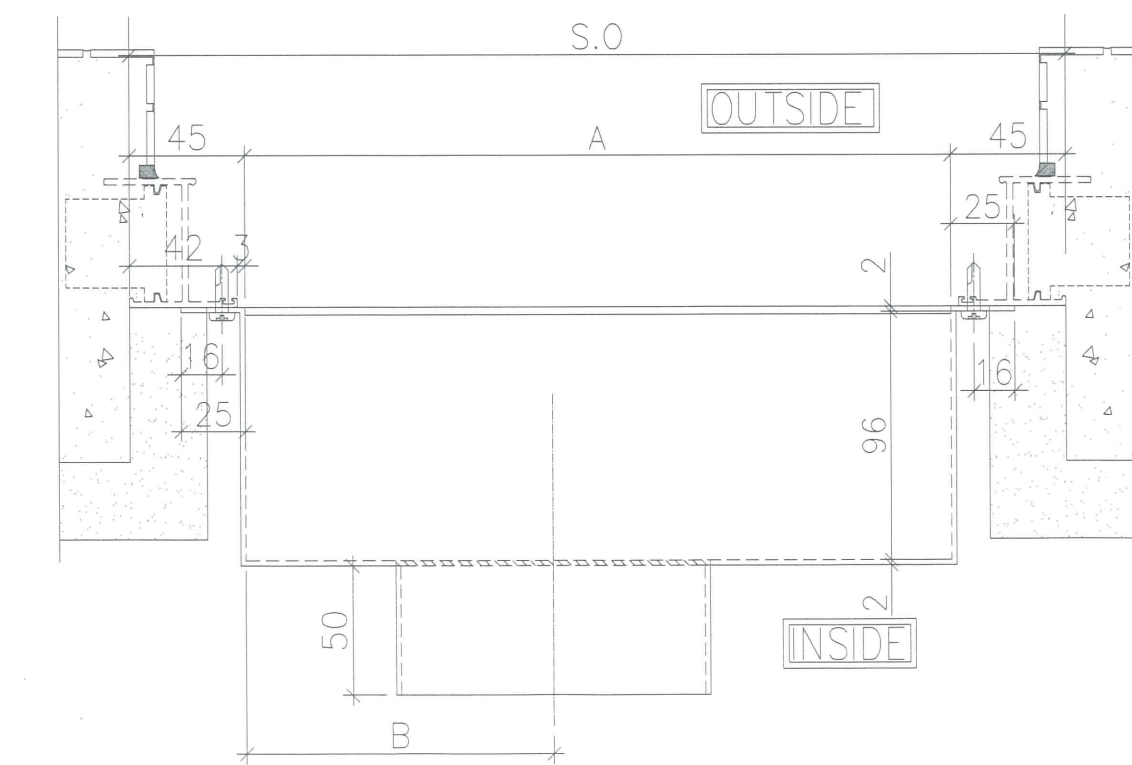
IN-HOUSE DESIGN CHECKER

**美特鋁質有限公司**  
MIDI ALUMINIUM FABRICATOR LTD.  
Units 6-8, Sunray Industrial Centre, 1/F  
610 Cha Kwo Ling Road, Kowloon  
Tel:23489211-4 Fax:(852)27727666

DWG NO. : J-837-PB-0001 REV. : D



此頁不用做圖



BOX NO.	S.O	A	B	QTY.	LOCATION	WINDOW NO.
T1P/L-B	600	510	150	39 38	6F~50F	T1W/L-2 ✓
T1P/M-B	600	510	360	39 38	6F~50F	T1W/M-1 ✓
<del>T1P/E-B</del>	<del>600</del>	<del>510</del>	<del>150</del>	<del>39</del>	<del>6F~50F</del>	<del>T1W/E-1</del>
T2P/F-B	600	510	360	43 42	6F~55F	T2W/F-1 ✓
T2P/E-B	600	510	150	43 42	6F~55F	T2W/E-2 ✓
T3P/M-B	600	510	360	41 40	6F~52F	T3W/M-1 ✓
T3P/L-B	600	510	150	41 40	6F~52F	T3W/L-2 ✓
T5P/H-B	600	510	360	39 38	6F~50F	T5W/H-4 ✓
T5P/E-B	600	510	360	40 39	6F~51F	T5W/E-1 ✓
T5P/D-B	600	510	150	40 39	6F~51F	T5W/D-2 ✓

B.D. REF :

CLIENT : 信和置業有限公司 Sino Land Company Limited

ARCHITECT : WONG TUNG & PARTNERS LIMITED ARCHITECTS & PLANNERS

MAIN CONTRACTOR : CR Construction Company Limited

STRUCTURAL ENGINEER : AECOM

FACADE CONSULTANT :

NOTE :

- ALL DIMENSIONS ARE IN mm.
- ALL ELEVATIONS ARE VIEWED FROM OUTSIDE.
- ALL DIMENSIONS TO BE VERIFIED ON SITE BEFORE FABRICATION.

LEGEND :

X1 - DETAIL MARK NO.  
X001 - REFER SHEET NO.

- F.F.L. -- FINISHED FLOOR LEVEL
- S.F.L. -- STRUCTURAL FLOOR LEVEL
- ⊗ -- REVERSED DETAIL

NO.	DATE	REVISED	BY
C	2019/6/10	GENERAL REVISION	Zeng
B	2019/3/4	GENERAL REVISION	Zeng
A	2019/2/13	GENERAL REVISION	Zeng

JOB NO. : J-837

PROJECT : URA KWUN TONG TOWN CENTRE REDEVELOPMENT (AREA 2 & 3) AT NKIL 6514, KWUN TONG, KOWLOON

TITLE : TOWER AIR PLENUM BOX SCHEDULE (PRECAST FOR BATHROOM)

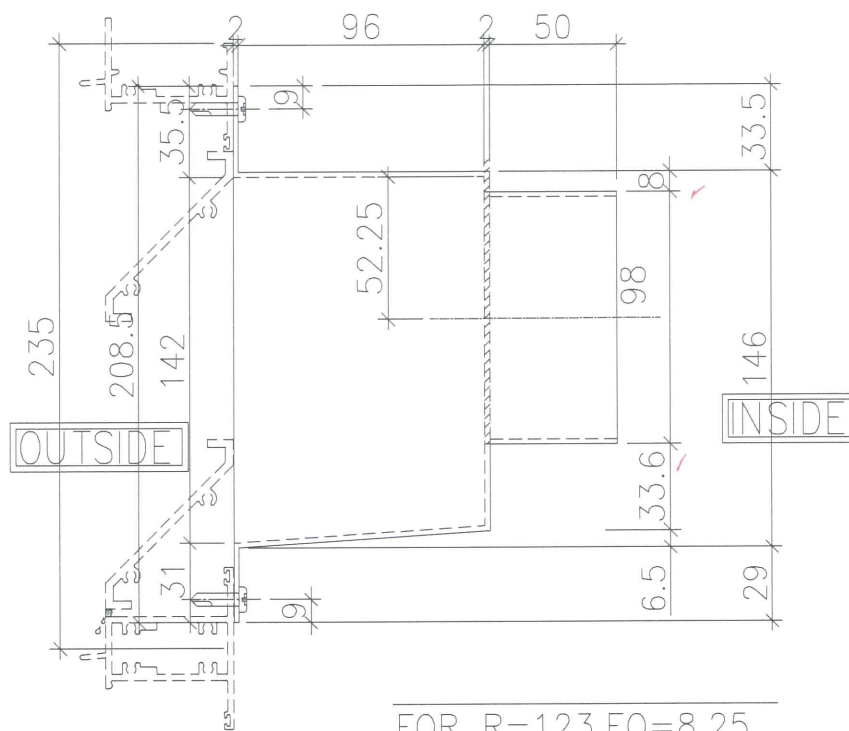
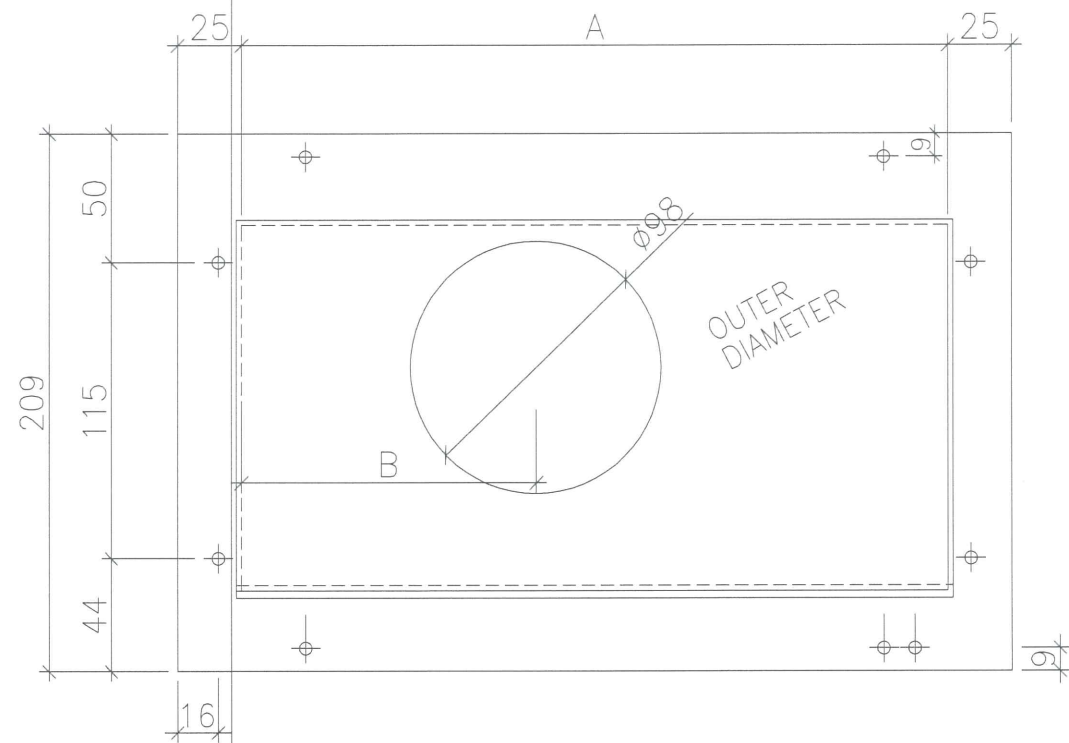
DATE : 04-JUL-18 SCALE : 1:##

DRAWN BY : Zeng CHECKED BY : DW

MIDI ALUMINIUM FABRICATOR LTD.  
Units 6-8, Sunray Industrial Centre, 1/F  
610 Cha Kwo Ling Road, Kowloon  
Tel: 23489211-4 Fax: (852) 27727666

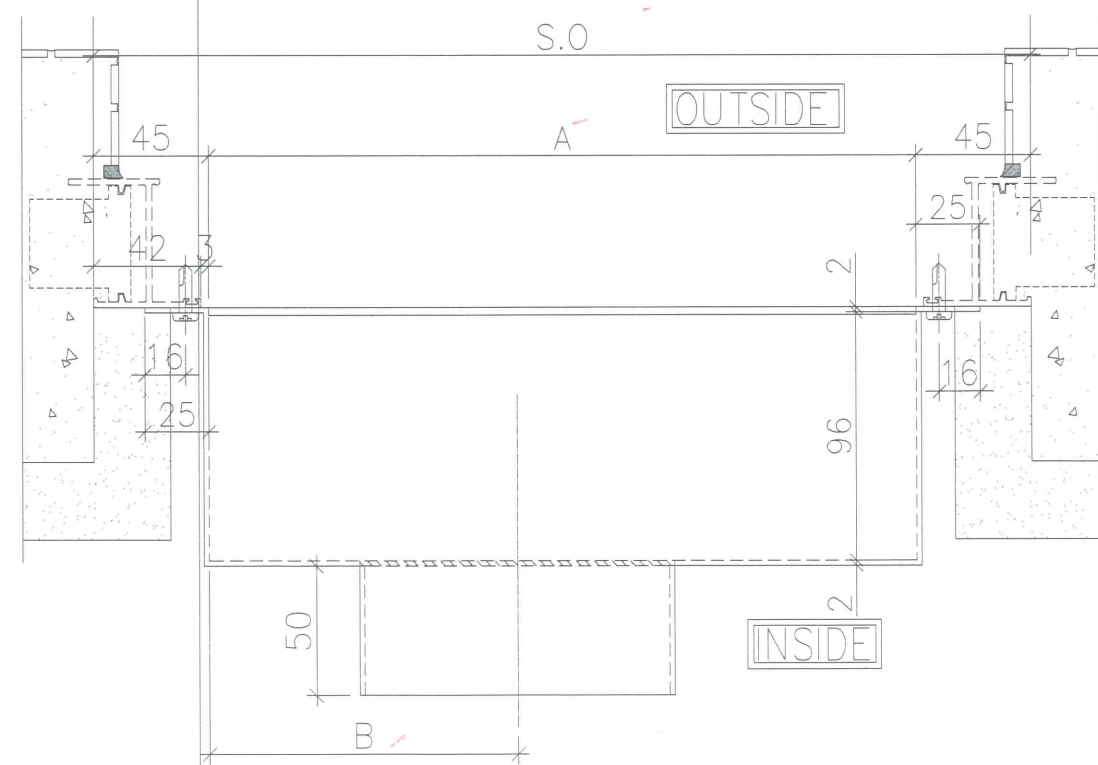
DWG NO. : JB37- PB-2101 REV. : C

10/6/19



FOR R=123, EQ=8.25

不用做PA



BOX NO.	S.O	A	B	QTY.	LOCATION	WINDOW NO.
T1P/E-B	600	510	150	3938	6F~50F	TIW/E-1

620233H 已做 (件 (8件用))  
 挂 linear grille

B.D. REF :

CLIENT : 信和置業有限公司 Sino Land Company Limited

ARCHITECT : WONG TUNG & PARTNERS LIMITED ARCHITECTS & PLANNERS

MAIN CONTRACTOR : CR Construction Company Limited

STRUCTURAL ENGINEER : AECOM

FACADE CONSULTANT :

NOTE :

- ALL DIMENSIONS ARE IN mm.
- ALL ELEVATIONS ARE VIEWED FROM OUTSIDE.
- ALL DIMENSIONS TO BE VERIFIED ON SITE BEFORE FABRICATION.

LEGEND :

- (X1) --- DETAIL MARK NO.
- (X001) --- REFER SHEET NO.
- 1. F.F.L. --- FINISHED FLOOR LEVEL
- 2. S.F.L. --- STRUCTURAL FLOOR LEVEL
- 3. (R) --- REVERSED DETAIL

NO.	DATE	REVISED	BY

JOB NO. : J-837

PROJECT : URA KWUN TONG TOWN CENTRE REDEVELOPMENT (AREA 2 & 3) AT NKIL 6514, KWUN TONG, KOWLOON

TITLE : TOWER AIR PLENUM BOX SCHEDULE (PRECAST FOR BATHROOM)

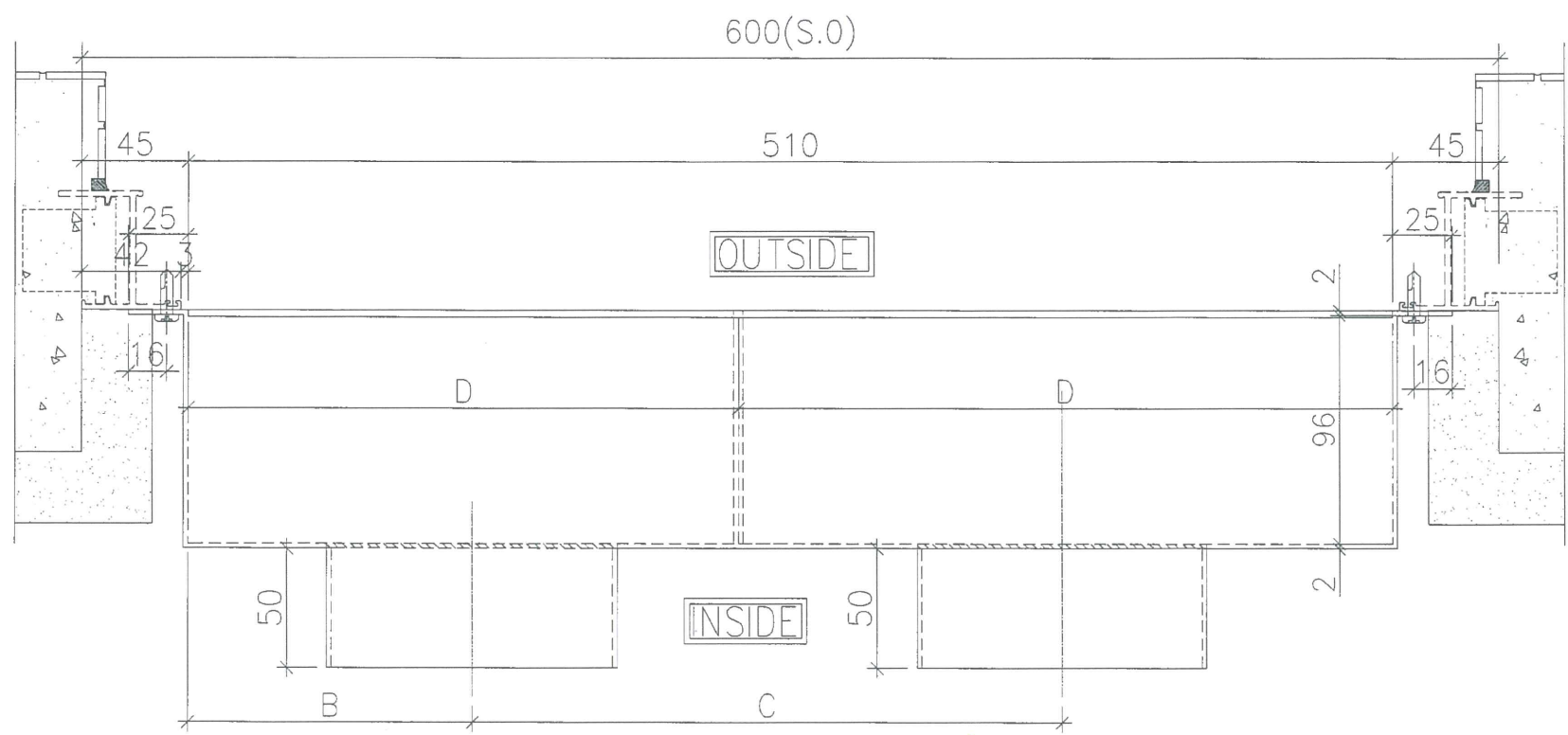
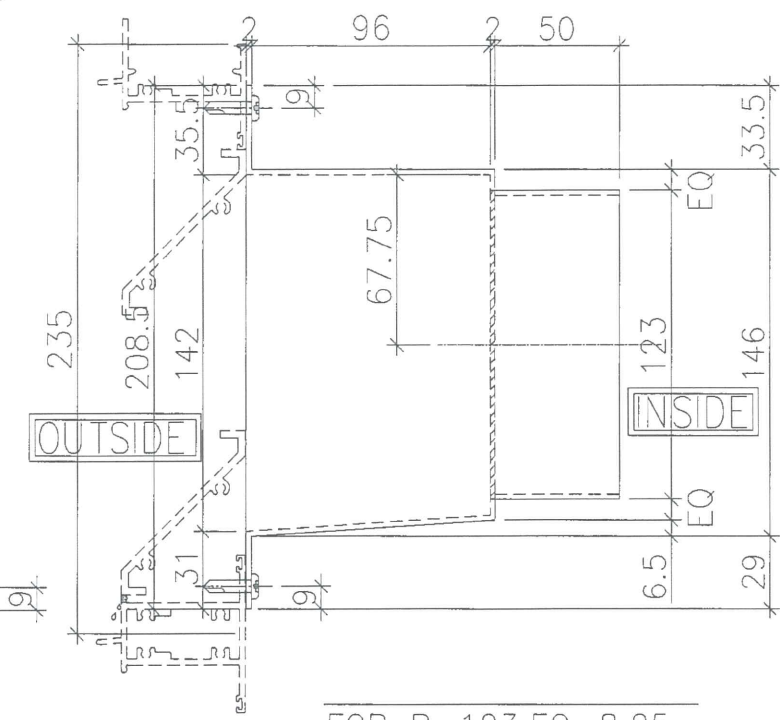
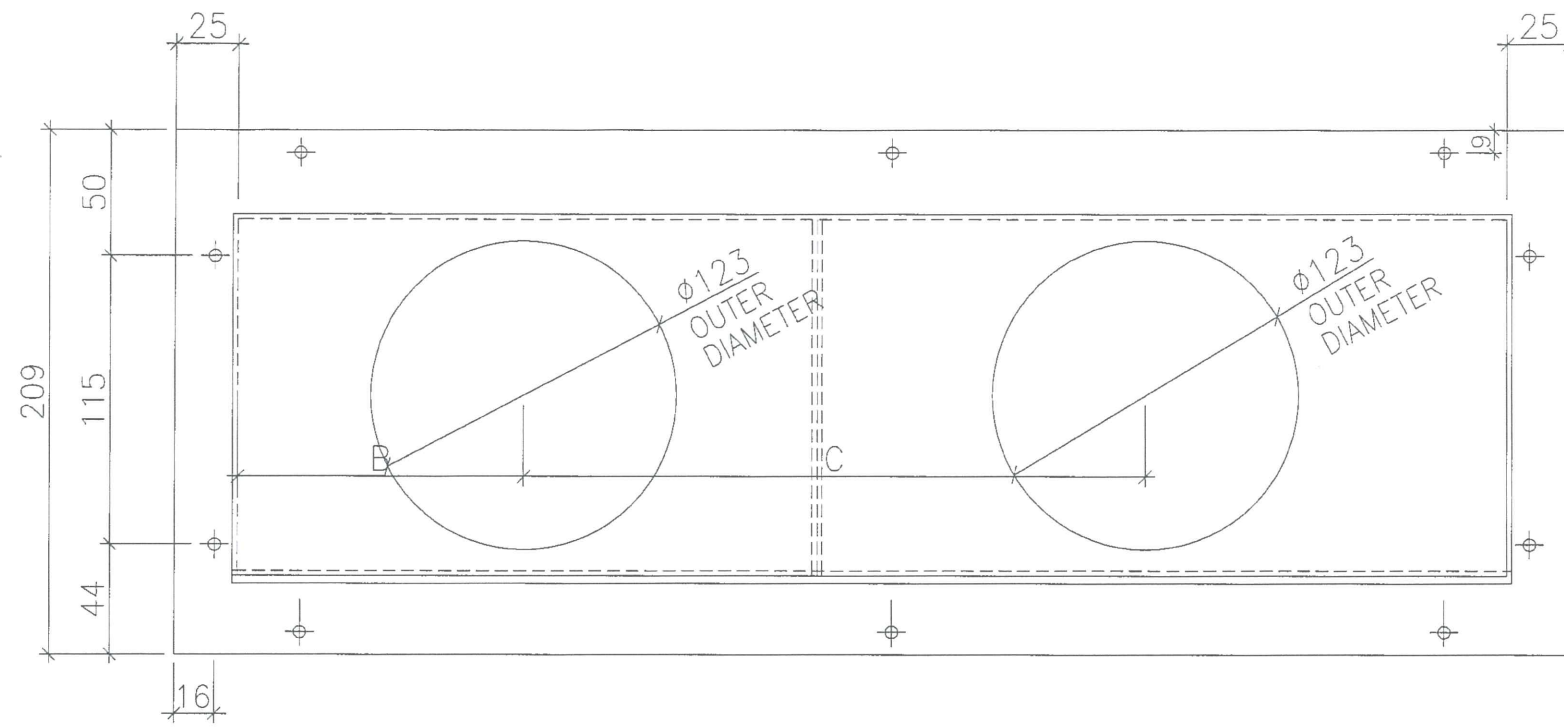
DATE : 04-JUL-18 SCALE : 1:##

DRAWN BY : Zeng CHECKED BY : DW

MIDI ALUMINIUM FABRICATOR LTD.  
 Units 6-8, Sunray Industrial Centre, 1/F  
 610 Cha Kwo Ling Road, Kowloon  
 Tel: 23489211-4 Fax: (852) 27727666

DWG NO. : J837- PB-2101A REV. : -

10/6/19



B.D. REF :

CLIENT : 信和置業有限公司 Sino Land Company Limited

ARCHITECT : WONG TUNG & PARTNERS LIMITED ARCHITECTS & PLANNERS

MAIN CONTRACTOR : CR Construction Company Limited

STRUCTURAL ENGINEER : AECOM

FACADE CONSULTANT :

NOTE :

1. ALL DIMENSIONS ARE IN mm.
2. ALL ELEVATIONS ARE VIEWED FROM OUTSIDE.
3. ALL DIMENSIONS TO BE VERIFIED ON SITE BEFORE FABRICATION.

LEGEND :

- X1 - DETAIL MARK NO.
- X001 - REFER SHEET NO.
- 1. F.F.L. --- FINISHED FLOOR LEVEL
- 2. S.F.L. --- STRUCTURAL FLOOR LEVEL
- 3. (Symbol) --- REVERSED DETAIL

NO.	DATE	GENERAL REVISION	REVISED	BY
A	2019/2/13	GENERAL REVISION		Zeng

JOB NO. : J-837

PROJECT : URA KWUN TONG TOWN CENTRE REDEVELOPMENT (AREA 2 & 3) AT NKIL 6514, KWUN TONG, KOWLOON

TITLE : TOWER AIR PLENUM BOX SCHEDULE (PRECAST FOR BATHROOM)

DATE : 04-JUL-18 SCALE : 1:##

DRAWN BY : Zeng CHECKED BY : DW

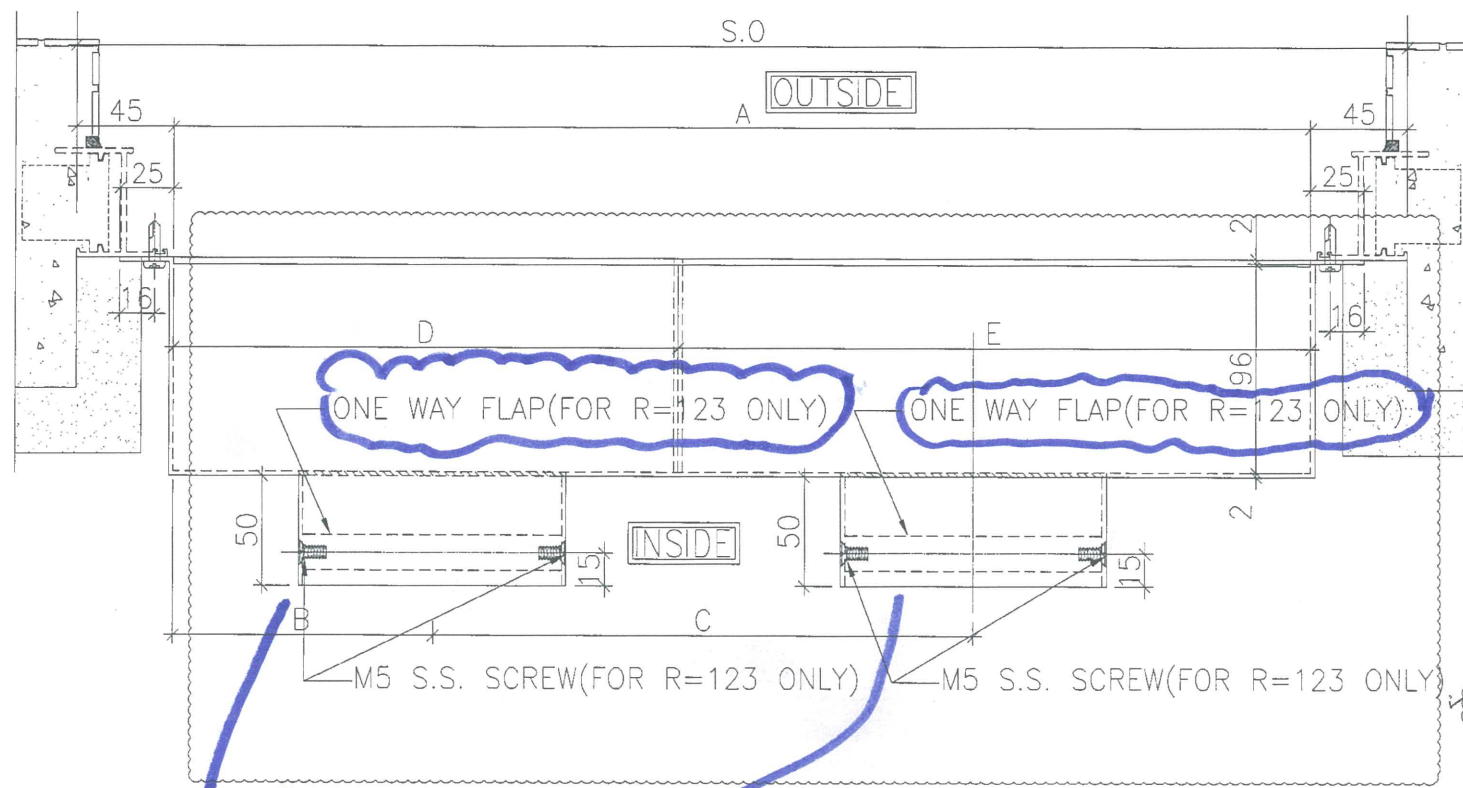
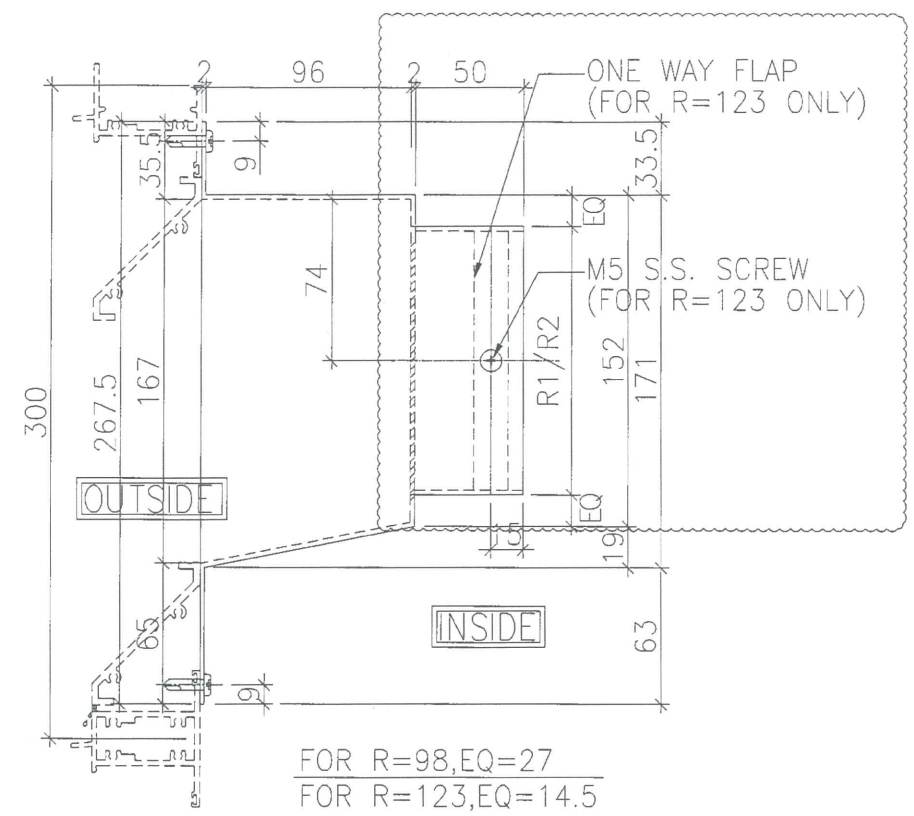
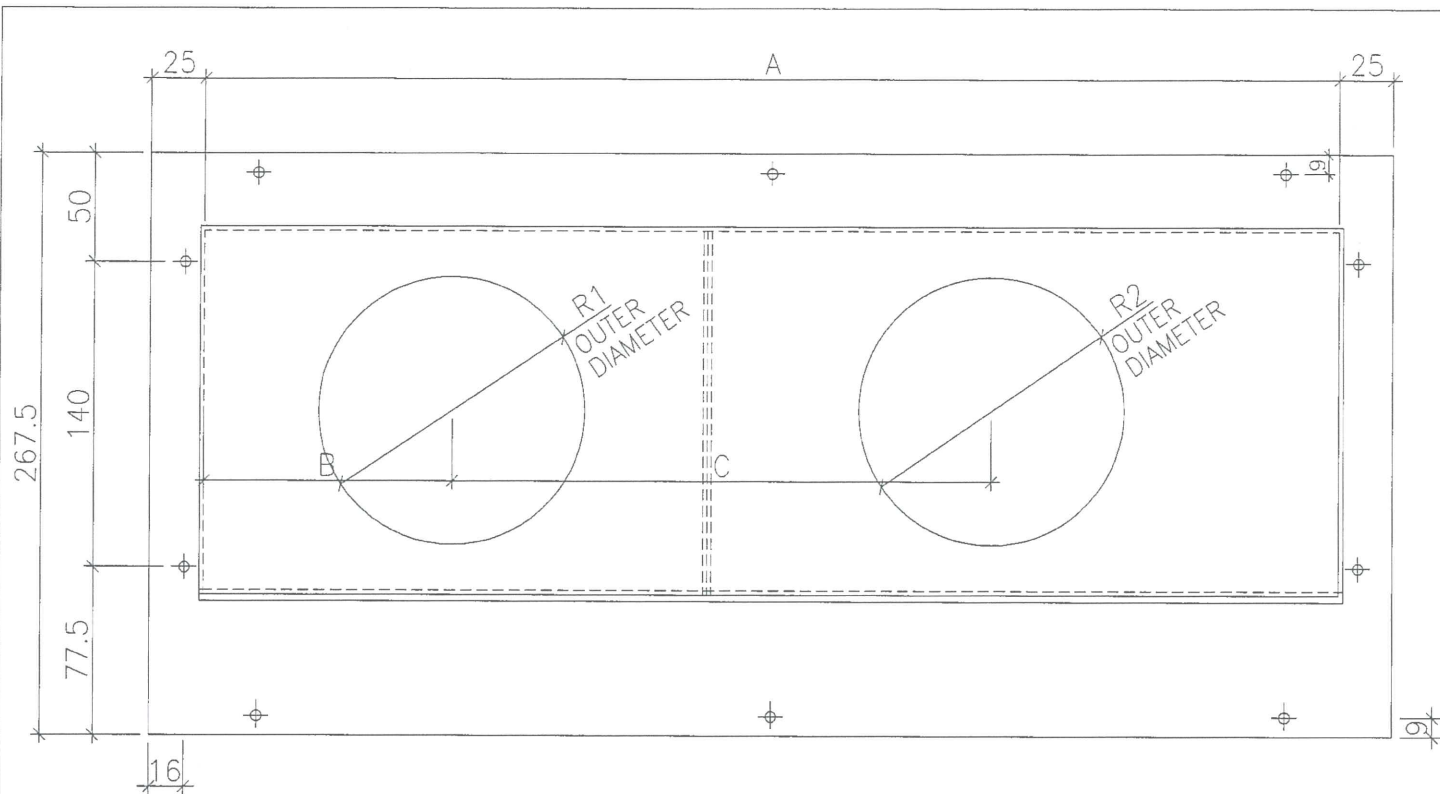
英特鋁質有限公司  
MIDI ALUMINIUM FABRICATOR LTD.  
Units 6-8, Sunray Industrial Centre, 1/F  
610 Cha Kwo Ling Road, Kowloon  
Tel:23489211-4 Fax:(852)2727666

DWG NO. : J837- PB-2102 REV. : A

此兩個喉咀都無畫風咀，  
所以不用裝風咀

不用做8F

BOX NO.	B	C	D	QTY.	LOCATION	WINDOW NO.
T1P/B-B	125	255	255	38	6F~50F	T1W/B-2 ✓



此頁不用做8/1

BOX NO.	S.O	A	B	C	D	E	R1	R2	QTY.	LOCATION	WINDOW NO.
T1P/M-K	700	610	125	230	250	360	123	98	38	6F~50F	T1W/M-2
T1P/L-K	700	610	260	225	360	250	98	123	38	6F~50F	T1W/L-1
T1P/K-K	700	610	125	230	250	360	123	98	38	6F~50F	T1W/K-1
T1P/C-K	700	610	125	205	250	360	123	98	38	6F~50F	T1W/C-1
T1P/D-K	700	610	255	230	360	250	98	123	36	6F~49F	T1W/D-2
T1P/J-K	700	610	125	185	360	250	123	98	38	6F~50F	T1W/J-1
T1P/H-K	700	610	280	205	360	250	98	123	38	6F~50F	T1W/H-1
T1P/B-K	690	600	125	185	240	360	123	98	38	6F~50F	T1W/B-3
T1P/E-K	1000	610	125	305	360	550	123	98	38		T1W/E-1
T2P/L-K	700	610	150	335	360	250	98	123	42	6F~55F	T2W/L-1
T2P/K-K	700	610	125	285	250	360	123	98	42	6F~55F	T2W/K-1
T2P/G-K	700	610	255	230	360	250	98	123	41	6F~53F	T2W/G-1
T3P/M-K	700	610	125	200	250	360	123	98	40	6F~52F	T3W/M-2
T3P/E-K	700	610	125	305	250	360	123	98	40	6F~52F	T3W/E-3
T3P/L-K	700	610	260	225	360	250	98	123	38	6F~50F	T3W/L-1
T3P/D-K	700	610	255	230	360	250	98	123	40	6F~51F	T3W/D-2
T3P/C-K	700	610	75	465	250	360	123	98	40	6F~52F	T3W/C-1
T3P/H-K	700	610	205	280	360	250	98	123	37	6F~51F	T3W/H-1
T3P/K-K	700	610	125	225	250	360	123	98	37	6F~51F	T3W/K-1
T5P/M-K	700	610	125	200	250	360	123	98	38	6F~50F	T5W/M-3
T5P/N-K	700	610	285	200	360	250	98	123	39	6F~51F	T5W/N-3
T5P/E-K	700	610	125	225	250	360	123	98	37	6F~51F	T5W/E-2
T5P/F-K	700	610	250	235	360	250	98	123	37	6F~51F	T5W/F-1
T5P/H-K	700	610	125	190	250	360	123	98	38	6F~50F	T5W/H-3
T5P/D-K	650	560	230	230	335	225	98	123	37	6F~51F	T5W/D-1

B.D. REF :

CUSTOMER : 信和置業有限公司 Sino Land Company Limited

ARCHITECT : WONG TUNG & PARTNERS LIMITED ARCHITECTS & PLANNERS

MAIN CONTRACTOR : CR Construction Company Limited

STRUCTURAL ENGINEER : AECOM

FACADE-CONSULTANT :

NOTE :

- ALL DIMENSIONS ARE IN mm.
- ALL ELEVATIONS ARE VIEWED FROM OUTSIDE.
- ALL DIMENSIONS TO BE VERIFIED ON SITE BEFORE FABRICATION.

LEGEND :

X1 --- DETAIL MARK NO.  
X001 --- REFER SHEET NO.

1. F.F.L. --- FINISHED FLOOR LEVEL  
2. S.F.L. --- STRUCTURAL FLOOR LEVEL  
3. (R) --- REVERSED DETAIL

6F~49F

B	2019/4/1	GENERAL REVISION	Zeng
A	2019/2/13	GENERAL REVISION	Zeng
NO.	DATE	REVISION	BY

JOB NO. : J-837

PROJECT : URA KWUN TONG TOWN CENTRE REDEVELOPMENT (AREA 2 & 3) AT NKIL 6514, KWUN TONG, KOWLOON

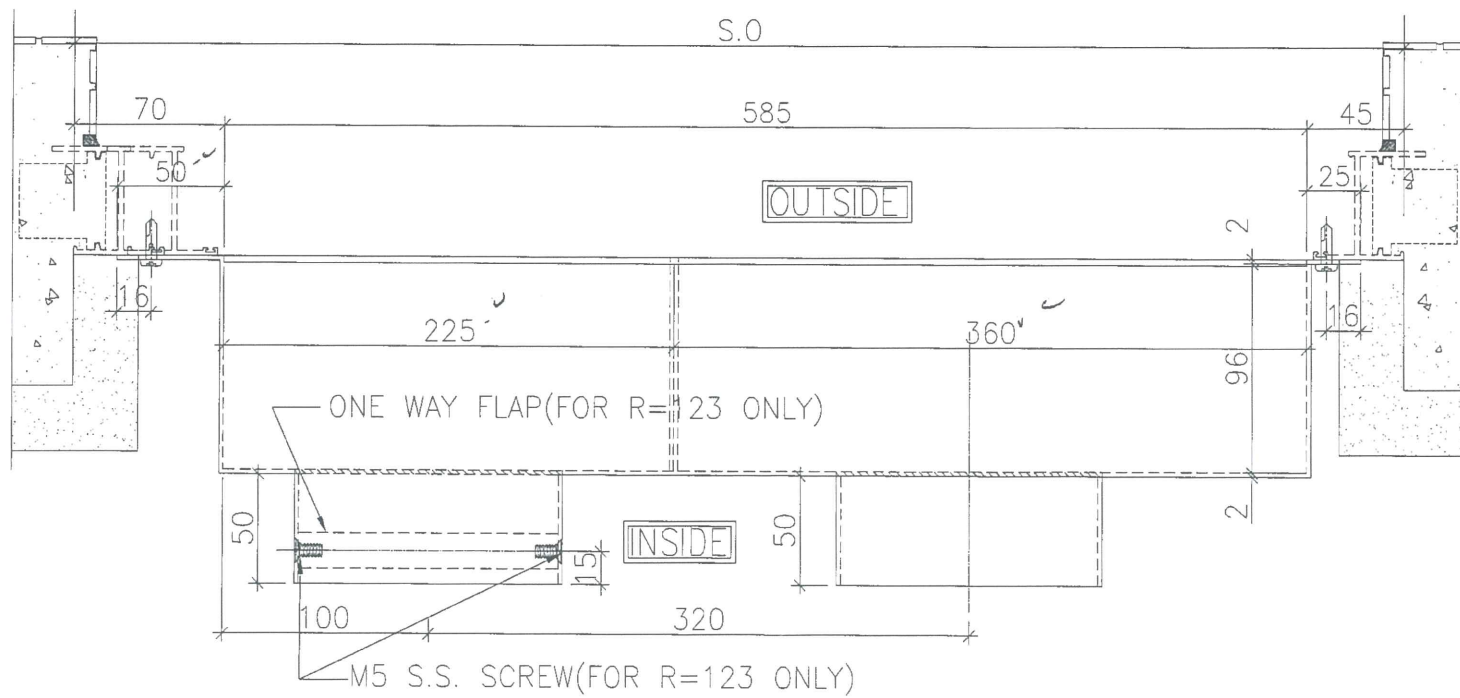
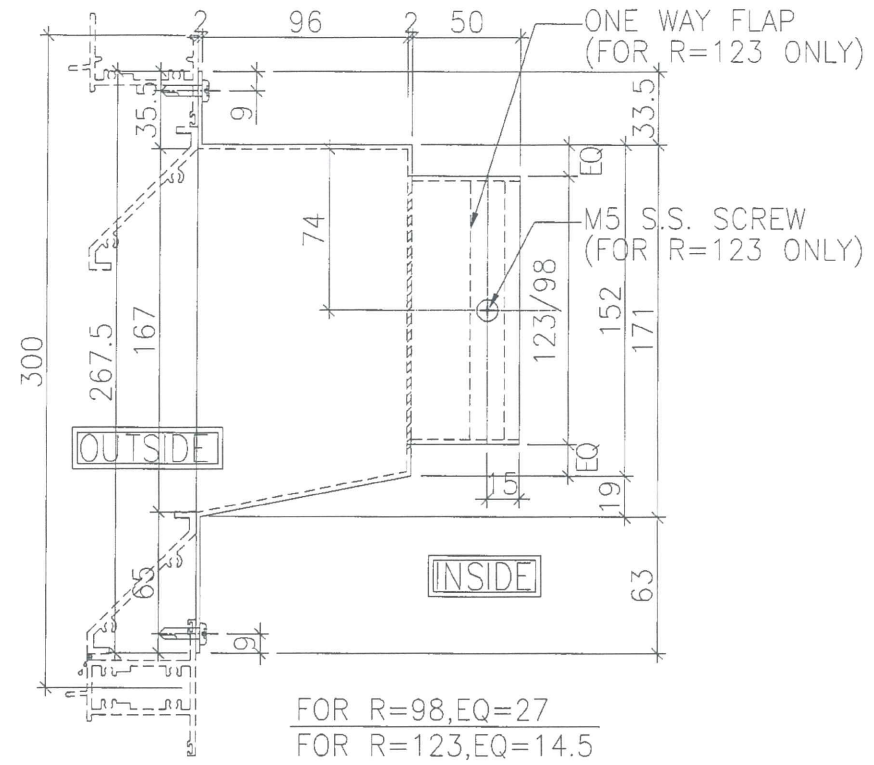
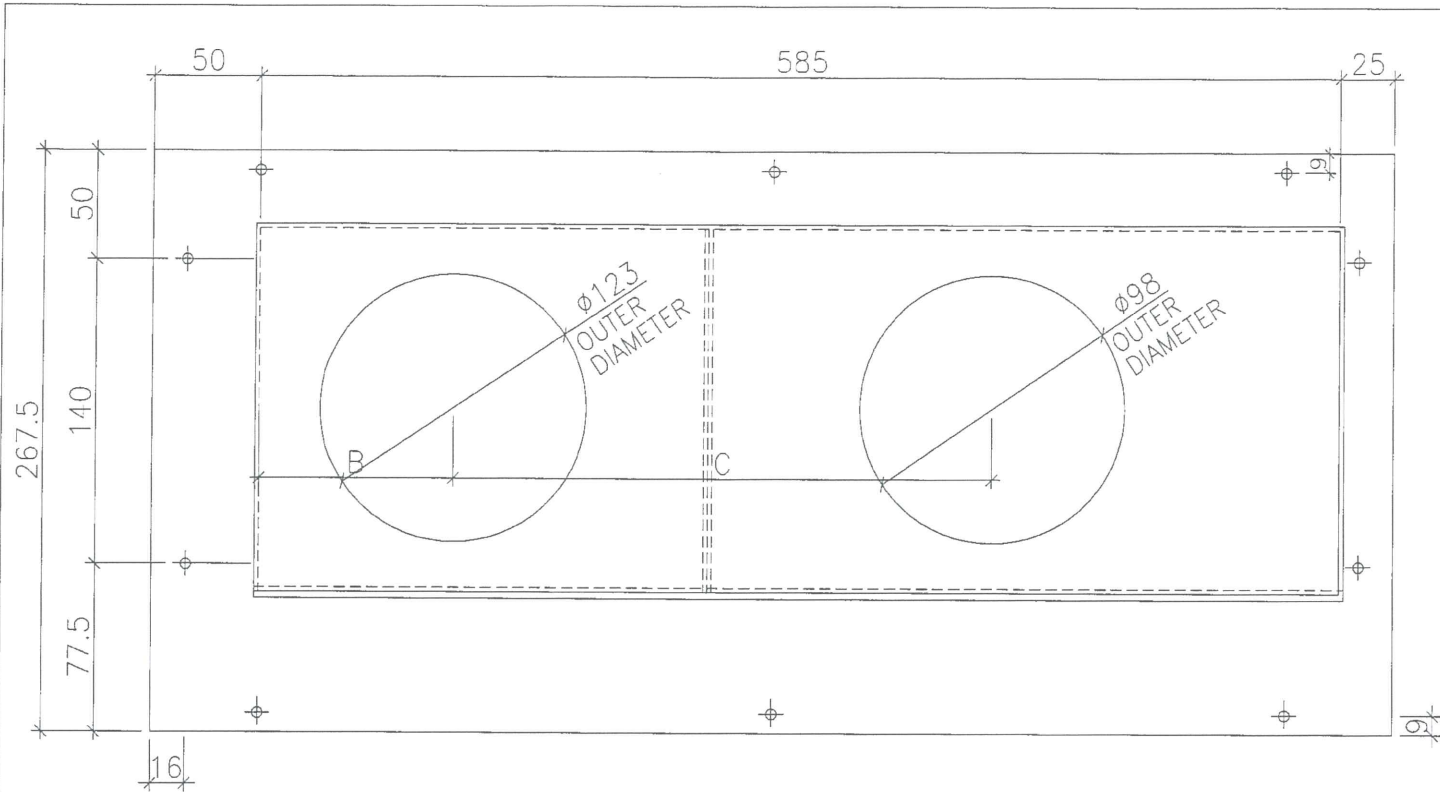
TITLE : TOWER AIR PLENUM BOX SCHEDULE (PRECAST FOR KITCHEN)

DATE : 04-JUL-18 SCALE : 1:##

DRAWN BY : Zeng CHECKED BY : DW

MIDI ALUMINIUM FABRICATOR LTD.  
Units 6-8, Sunray Industrial Centre, 1/F  
610 Cha Kwo Ling Road, Kowloon  
Tel: 23489211-4 Fax: (852) 27727666

DWG NO. : J837- PB-2103 REV. : B



不用做8/F

BOX NO.	QTY.	LOCATION	WINDOW NO.
T3P/D-K	37	6F~51F	T3W/D-2

B.D. REF :

CLIENT : 信和置業有限公司 Sino Land Company Limited

ARCHITECT : WONG TUNG & PARTNERS LIMITED ARCHITECTS & PLANNERS

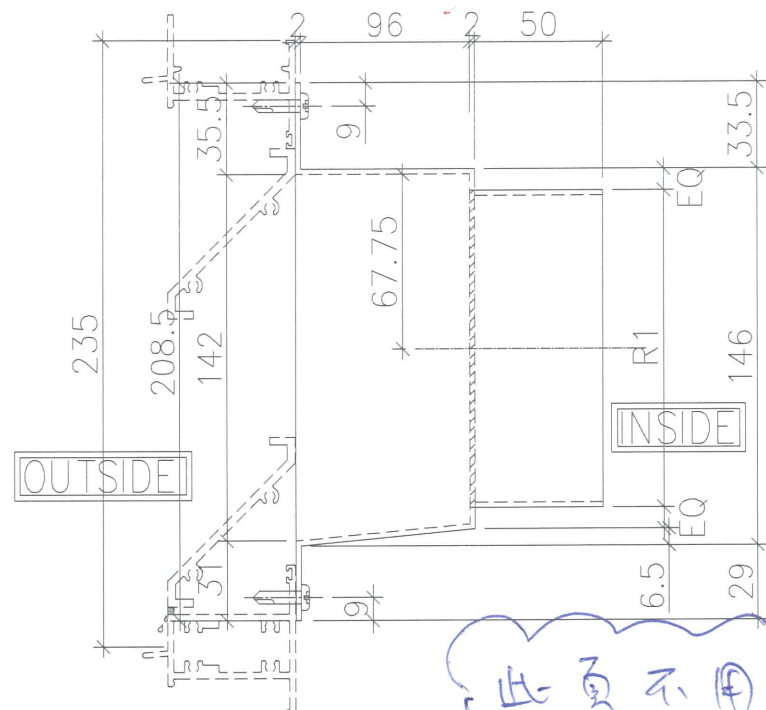
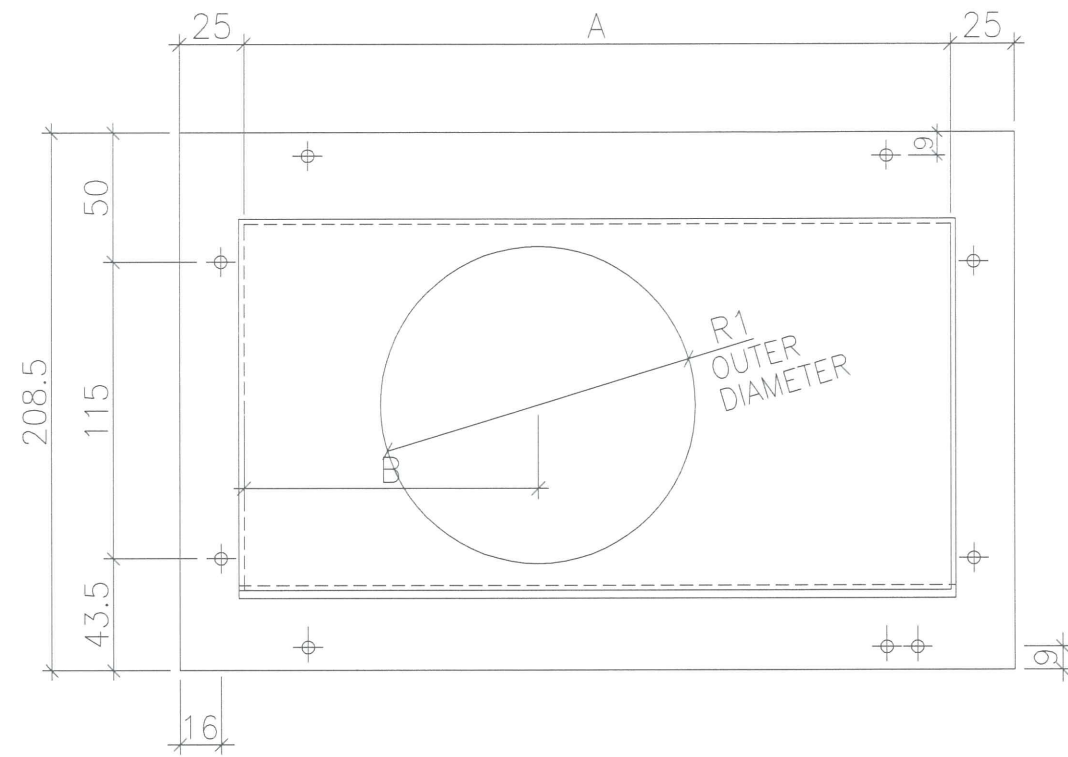
MAIN CONTRACTOR : CR Construction Company Limited

STRUCTURAL ENGINEER : AECOM

FACADE CONSULTANT:

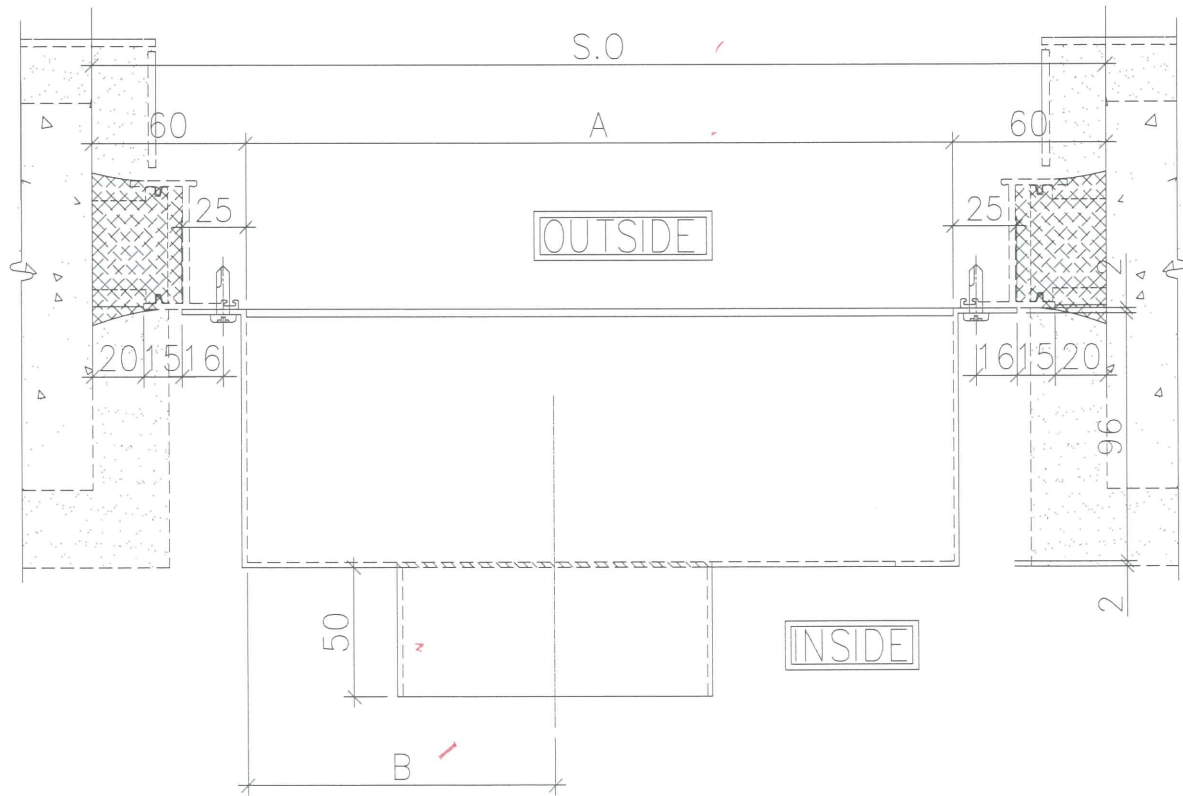
- NOTE :
1. ALL DIMENSIONS ARE IN mm.
  2. ALL ELEVATIONS ARE VIEWED FROM OUTSIDE.
  3. ALL DIMENSIONS TO BE VERIFIED ON SITE BEFORE FABRICATION.
- LEGEND :
- X1 - DETAIL MARK NO.
  - X001 - REFER SHEET NO.
  - F.F.L. -- FINISHED FLOOR LEVEL
  - S.F.L. -- STRUCTURAL FLOOR LEVEL
  - ⊗ -- REVERSED DETAIL

NO.	DATE	REVISED	BY
JOB NO. : J-837			
PROJECT : URA KWUN TONG TOWN CENTRE REDEVELOPMENT (AREA 2 & 3) AT NKIL 6514, KWUN TONG, KOWLOON			
TITLE : TOWER AIR PLENUM BOX SCHEDULE (PRECAST FOR KITCHEN)			
DATE : 04-JUL-18		SCALE : 1:##	
DRAWN BY : Zeng		CHECKED BY : DW	
MIDI ALUMINIUM FABRICATOR LTD. 美特鋁質有限公司 Units 6-8, Sunray Industrial Centre, 1/F 610 Cha Kwo Ling Road, Kowloon Tel: 23489211-4 Fax: (852) 27727666			
DWG NO. : J837- PB-2103A			REV. : -



FOR R1=98, EQ=20.75  
FOR R1=123, EQ=8.25

此頁不用做工作



BOX NO.	S.O	A	B	R1	QTY.	LOCATION	WINDOW NO.
T1P/C-B1	585	465	315	123	38	6F~50F	T1W/C-2
T1P/C-B2	550	430	355	123	38	6F~50F	T1W/C-3
T1P/A-B	640	520	75	123	37	6F~49F	T1W/A-2
T1P/H-B1	550	430	355	123	38	6F~50F	T1W/H-2
T1P/H-B2	585	465	315	123	38	6F~50F	T1W/H-1
T1P/G-B1	640	520	370	123	38	6F~50F	T1W/G-3
T1P/G-B2	515	395	320	123	38	6F~50F	T1W/G-2
<del>T2P/N-B</del>	<del>640</del>	<del>520</del>	<del>395</del>	<del>123</del>	<del>43</del>	<del>6F~55F</del>	<del>T2W/N-2</del>
T2P/A-B2	640	520	370	123	42	6F~55F	T2W/A-5
T2P/A-B1	640	520	150	123	42	6F~55F	T2W/A-4
T2P/B-B1	640	520	370	123	42	6F~55F	T2W/B-2
T2P/B-B2	640	520	150	123	42	6F~55F	T2W/B-1
T3P/E-B1	640	520	150	123	40	6F~52F	T3W/E-1
T3P/E-B2	585	465	315	123	40	6F~52F	T3W/E-2
T3P/A-B1	640	520	150	123	40	6F~52F	T3W/A-2
T3P/B-B1	640	520	370	123	40	6F~52F	T3W/B-2
T3P/A-B2	505	385	235	123	40	6F~52F	T3W/A-3
T3P/B-B2	640	520	150	123	40	6F~52F	T3W/B-1
T5P/A-B1	640	520	420	98	37	7F~50F	T5W/A-4
T5P/M-B1	640	520	150	123	38	6F~50F	T5W/M-2
T5P/M-B2	640	520	370	123	38	6F~50F	T5W/M-1
T5P/L-B1	550	430	305	123	38	6F~50F	T5W/L-4
T5P/L-B2	585	465	150	123	38	6F~50F	T5W/L-3
T5P/F-B	585	465	150	123	39	6F~51F	T5W/F-2
<del>T5P/G-B</del>	<del>640</del>	<del>520</del>	<del>200</del>	<del>123</del>	<del>39</del>	<del>6F~50F</del>	<del>T5W/G-2</del>

B.D. REF :

CLIENT : 信和置業有限公司 Sino Land Company Limited

ARCHITECT : WONG TUNG & PARTNERS LIMITED ARCHITECTS & PLANNERS

MAIN CONTRACTOR : CR Construction Company Limited

STRUCTURAL ENGINEER : AECOM

FAÇADE CONSULTANT :

NOTE :

- ALL DIMENSIONS ARE IN mm.
- ALL ELEVATIONS ARE VIEWED FROM OUTSIDE.
- ALL DIMENSIONS TO BE VERIFIED ON SITE BEFORE FABRICATION.

LEGEND :

X1 --- DETAIL MARK NO.  
X001 --- REFER SHEET NO.

- F.F.L. --- FINISHED FLOOR LEVEL
- S.F.L. --- STRUCTURAL FLOOR LEVEL
- (R) --- REVERSED DETAIL

NO.	DATE	REVISION	BY
D	2019/6/10	GENERAL REVISION	Zeng
C	2019/4/1	GENERAL REVISION	Zeng
B	2019/3/4	GENERAL REVISION	Zeng
A	2019/2/13	GENERAL REVISION	Zeng

JOB NO. : J-837

PROJECT : URA KWUN TONG CENTRE REDEVELOPMENT (AREA 2 & 3) AT NKIL 6514, KWUN TONG, KOWLOON

TITLE : TOWER AIR PLENUM BOX SCHEDULE (INSITU FOR BATHROOM)

DATE : 04-JUL-18 SCALE : 1:##

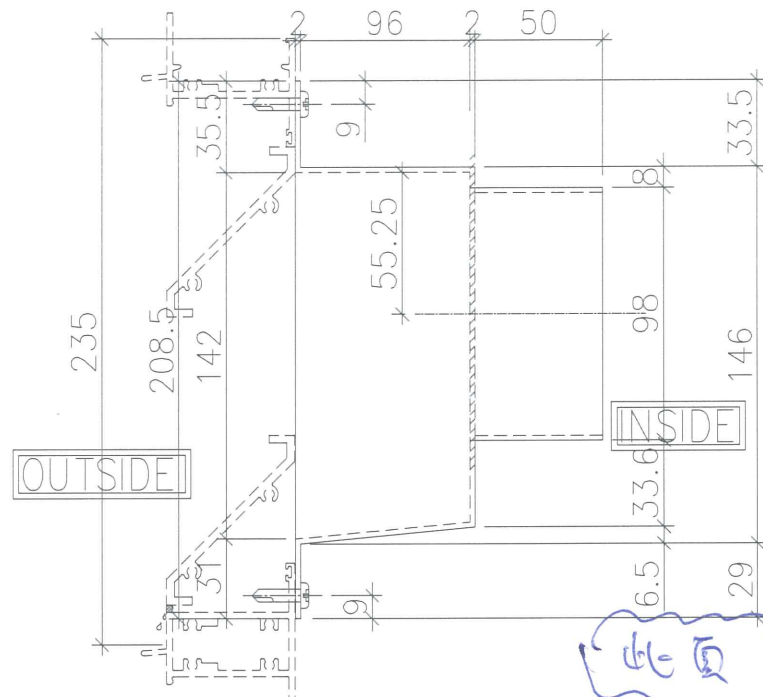
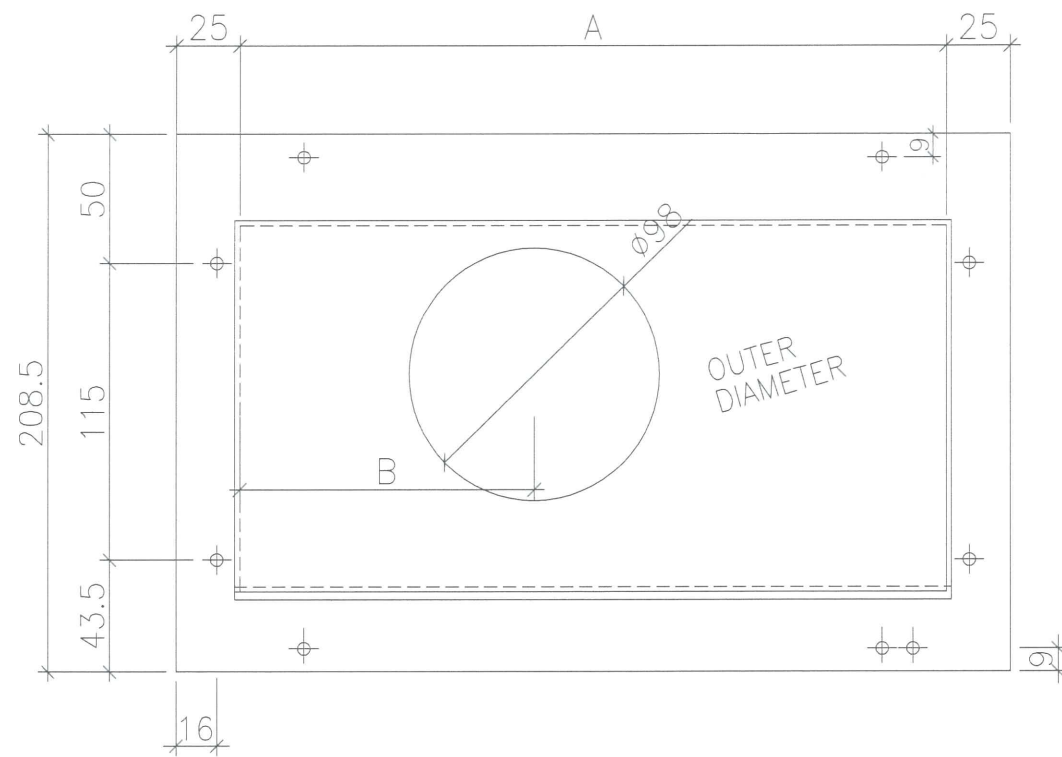
DRAWN BY : Zeng CHECKED BY : DW

美特鋁質有限公司  
MIDI ALUMINIUM FABRICATOR LTD.

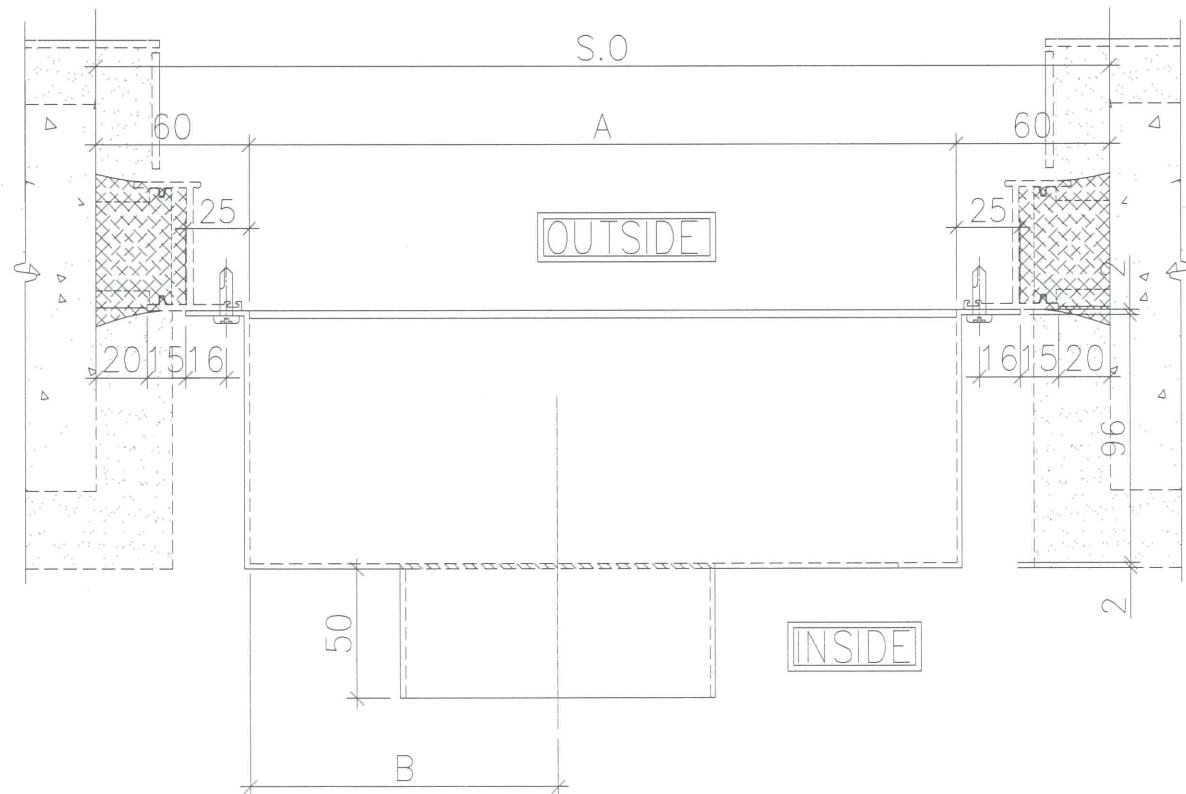
Units 6-8, Sunray Industrial Centre, 1/F  
610 Cha Kwo Ling Road, Kowloon  
Tel: 23489211-4 Fax: (852) 2727666

DWG NO. : J837- PB-2104 REV. : D

0/6/19



此頁要做8作



BOX NO.	S. O	A	B	QTY.	LOCATION	WINDOW NO.
T2P/N-B	640	520	395	43 ✓	6F~55F	T2W/N-2 ✓
T5P/G-B	640	520	200	39 ✓	6F~50F	T5W/G-2 ✓

8作辦房重做

B.D. REF :

CLIENT :  
 信和置業有限公司  
 Sino Land Company Limited

ARCHITECT :  
 WONG TUNG & PARTNERS LIMITED  
 ARCHITECTS & PLANNERS

MAIN CONTRACTOR :  
 CR Construction Company Limited

STRUCTURAL ENGINEER :  
 AECOM

FACADE CONSULTANT :

NOTE :

- ALL DIMENSIONS ARE IN mm.
- ALL ELEVATIONS ARE VIEWED FROM OUTSIDE.
- ALL DIMENSIONS TO BE VERIFIED ON SITE BEFORE FABRICATION.

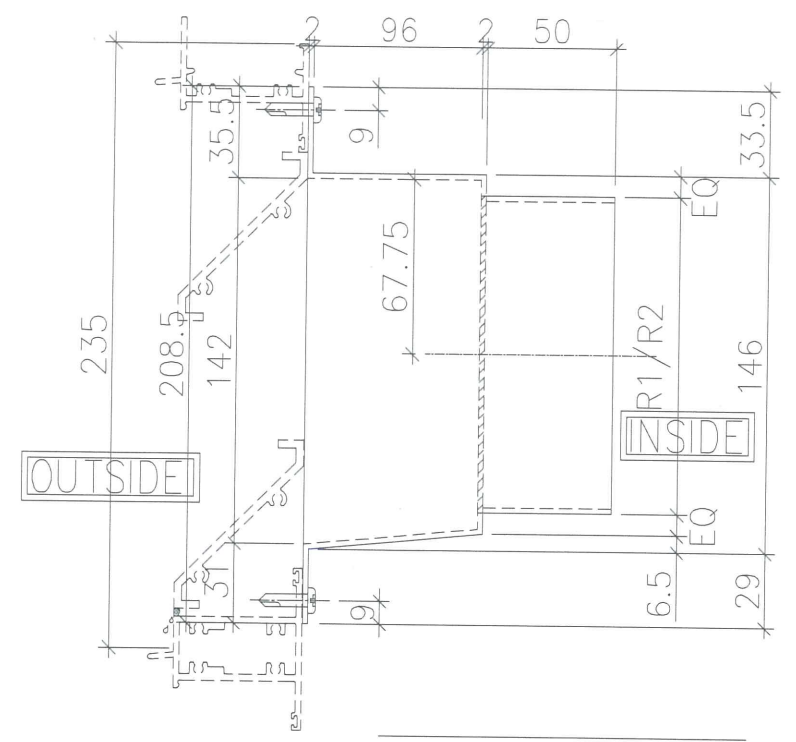
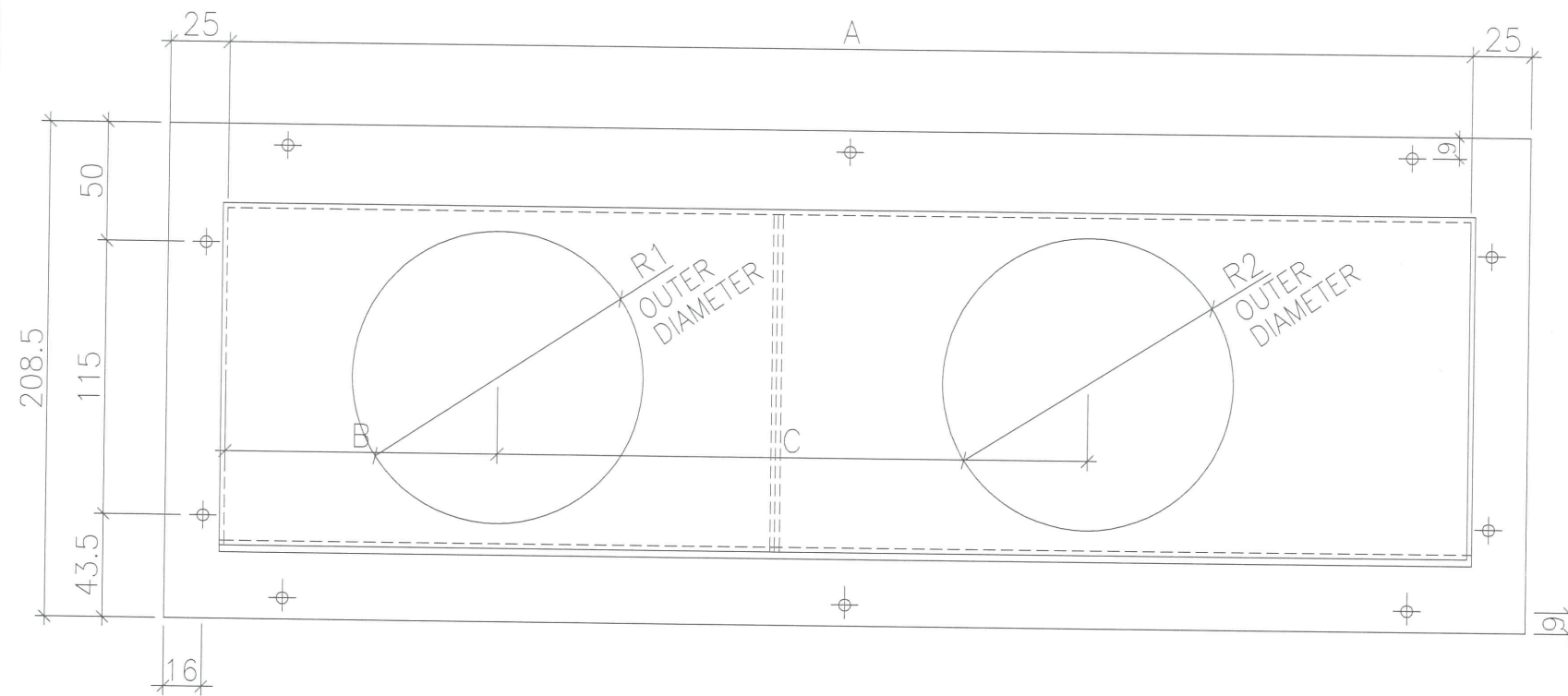
LEGEND :

X1 --- DETAIL MARK NO.  
 X001 --- REFER SHEET NO.

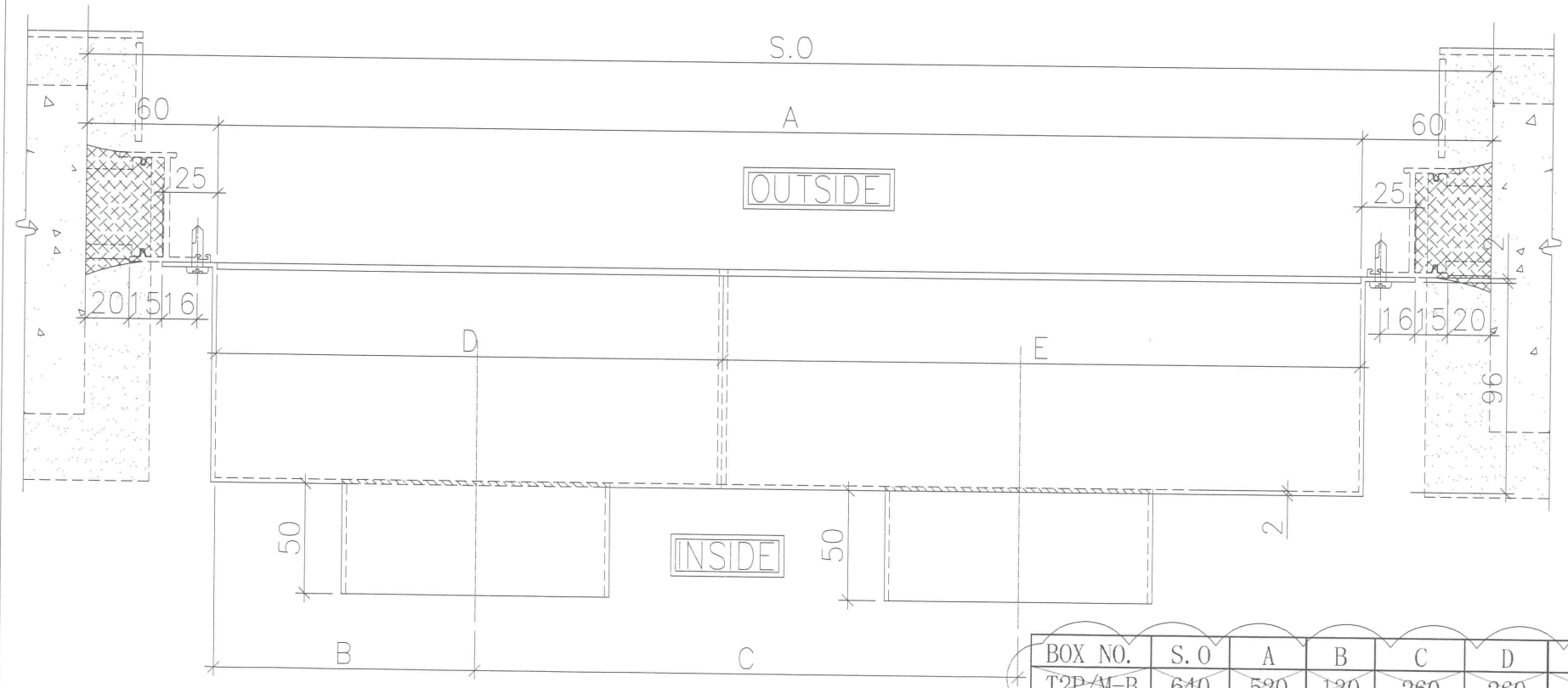
- F.F.L. --- FINISHED FLOOR LEVEL
- S.F.L. --- STRUCTURAL FLOOR LEVEL
- (R) --- REVERSED DETAIL

NO.	DATE	REVISED	BY
JOB NO. : J-837			
PROJECT : URA KWUN TONG TOWN CENTRE REDEVELOPMENT (AREA 2 & 3) AT NKIL 6514, KWUN TONG, KOWLOON			
TITLE : TOWER AIR PLENUM BOX SCHEDULE (INSITU FOR BATHROOM)			
DATE : 04-JUL-18		SCALE : 1:##	
DRAWN BY : Zeng		CHECKED BY : DW	
英特鋁質有限公司 MIDI ALUMINIUM FABRICATOR LTD. Units 6-8, Sunray Industrial Centre, 1/F 610 Cha Kwo Ling Road, Kowloon Tel: 23489211-4 Fax: (852) 2727666			
DWG NO. : J837- PB-2104A		REV. : -	

11/6/19



FOR R=123, EQ=8.25



此頁不用做8本

BOX NO.	S. O	A	B	C	D	E	R1	R2	QTY.	LOCATION	WINDOW NO.
T2P/M-B	640	520	130	260	260	260	123	123	43	6F~55F	T2W/M-2
T5P/A-B2	640	520	130	260	260	260	123	123	38	6F~50F	T5W/A-3
T5P/N-B	585	465	115	235	232	233	123	123	38	6F~50F	T5W/N-1

B.D. REF :

CLIENT : 信和置業有限公司 Sino Land Company Limited

ARCHITECT : WONG TUNG & PARTNERS LIMITED ARCHITECTS & PLANNERS

MAIN CONTRACTOR : CR Construction Company Limited

STRUCTURAL ENGINEER : AECOM

FACADE CONSULTANT :

NOTE :

- ALL DIMENSIONS ARE IN mm.
- ALL ELEVATIONS ARE VIEWED FROM OUTSIDE.
- ALL DIMENSIONS TO BE VERIFIED ON SITE BEFORE FABRICATION.

LEGEND :

X1 --- DETAIL MARK NO.  
X001 --- REFER SHEET NO.

- F.F.L. --- FINISHED FLOOR LEVEL
- S.F.L. --- STRUCTURAL FLOOR LEVEL
- ⊗ --- REVERSED DETAIL

B	2019/6/10	GENERAL REVISION	Zeng
A	2019/2/13	GENERAL REVISION	Zeng
NO.	DATE	REVISED	BY

JOB NO. : J-837

PROJECT : URA KWUN TONG TOWN CENTRE REDEVELOPMENT (AREA 2 & 3) AT NKIL 6514, KWUN TONG, KOWLOON

TITLE : TOWER AIR PLENUM BOX SCHEDULE (INSITU FOR BATHROOM)

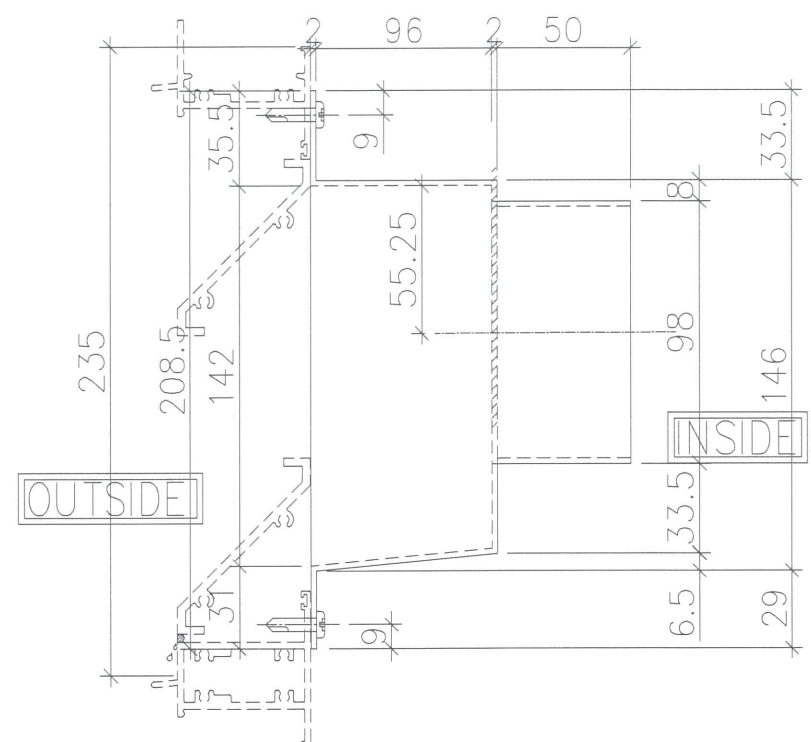
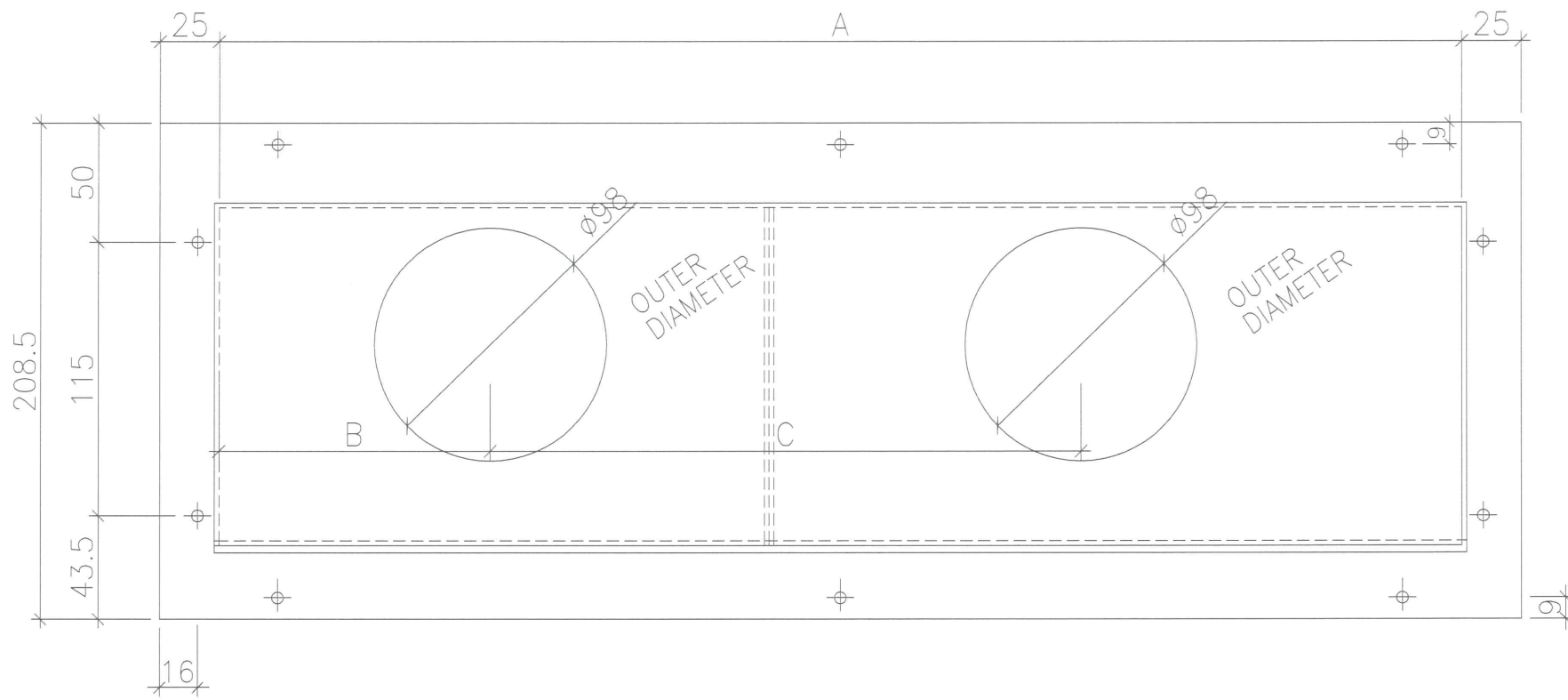
DATE : 04-JUL-18 SCALE : 1:##

DRAWN BY : Zeng CHECKED BY : DW

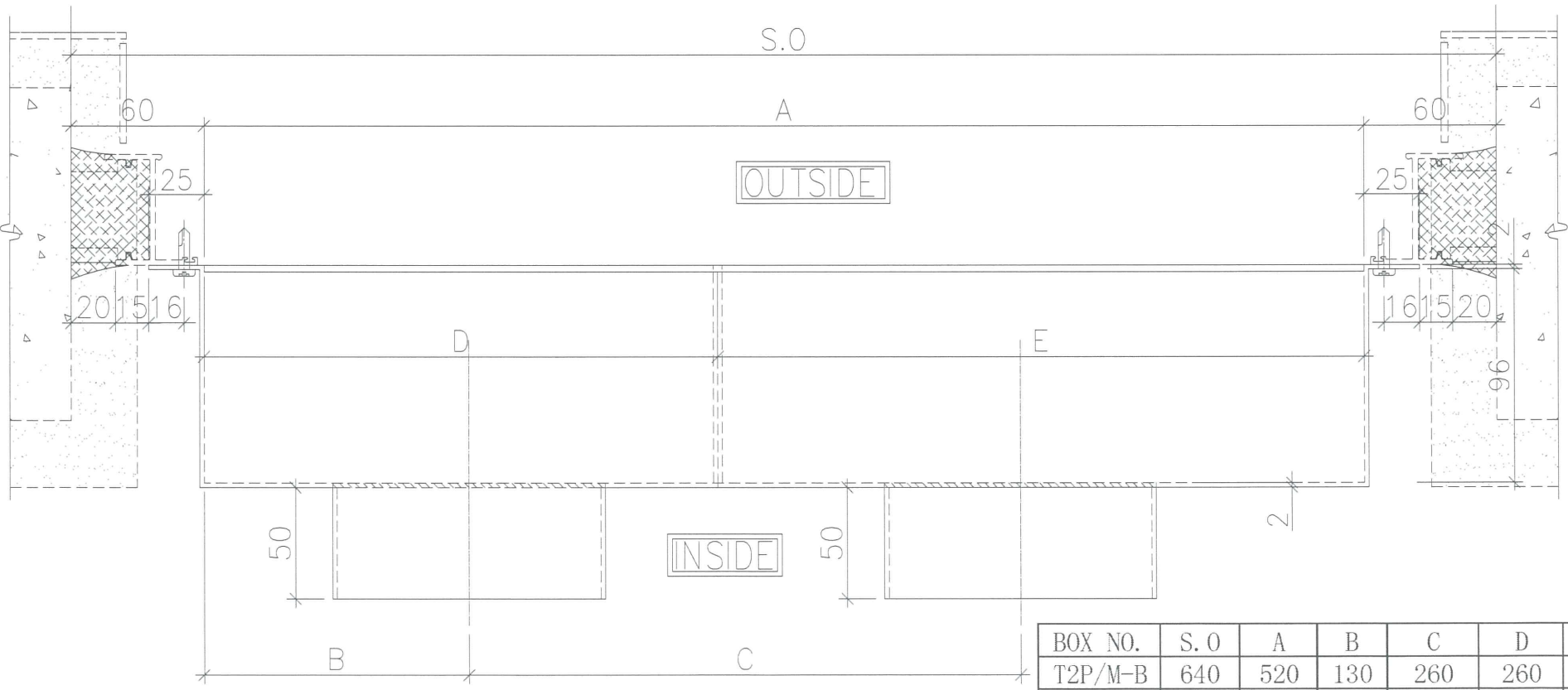
美特鋁質有限公司 MIDI ALUMINIUM FABRICATOR LTD.  
Units 6-8, Sunray Industrial Centre, 1/F  
610 Cha Kwo Ling Road, Kowloon  
Tel: 23489211-4 Fax: (852) 27727666

DWG NO. : J837- PB-2105 REV. : B

10/6/19



FOR R=123, EQ=8.25



BOX NO.	S. O	A	B	C	D	E	QTY.	LOCATION	WINDOW NO.
T2P/M-B	640	520	130	260	260	260	43 ✓	6F~55F	T2W/M-2 ✓

8F 那部房重做  
要做8F.

B.D. REF :

---

CLIENT :  
 信和置業有限公司  
 Sino Land Company Limited

ARCHITECT :  
 WONG TUNG & PARTNERS LIMITED  
 ARCHITECTS & PLANNERS

MAIN CONTRACTOR :  
 CR Construction Company Limited

STRUCTURAL ENGINEER :  
 AECOM

FAÇADE CONSULTANT:

---

NOTE :  
 1. ALL DIMENSIONS ARE IN mm.  
 2. ALL ELEVATIONS ARE VIEWED FROM OUTSIDE.  
 3. ALL DIMENSIONS TO BE VERIFIED ON SITE BEFORE FABRICATION.

LEGEND :  
 X1 — DETAIL MARK NO.  
 X001 — REFER SHEET NO.

1. F.F.L. — FINISHED FLOOR LEVEL  
 2. S.F.L. — STRUCTURAL FLOOR LEVEL  
 3. (R) — REVERSED DETAIL

---

NO.	DATE	REVISED	BY

JOB NO. : J-837

PROJECT :  
 URA KWUN TONG TOWN CENTRE  
 REDEVELOPMENT (AREA 2 & 3) AT  
 NKIL 6514, KWUN TONG, KOWLOON

TITLE :  
 TOWER AIR PLENUM BOX SCHEDULE  
 (INSITU FOR BATHROOM)

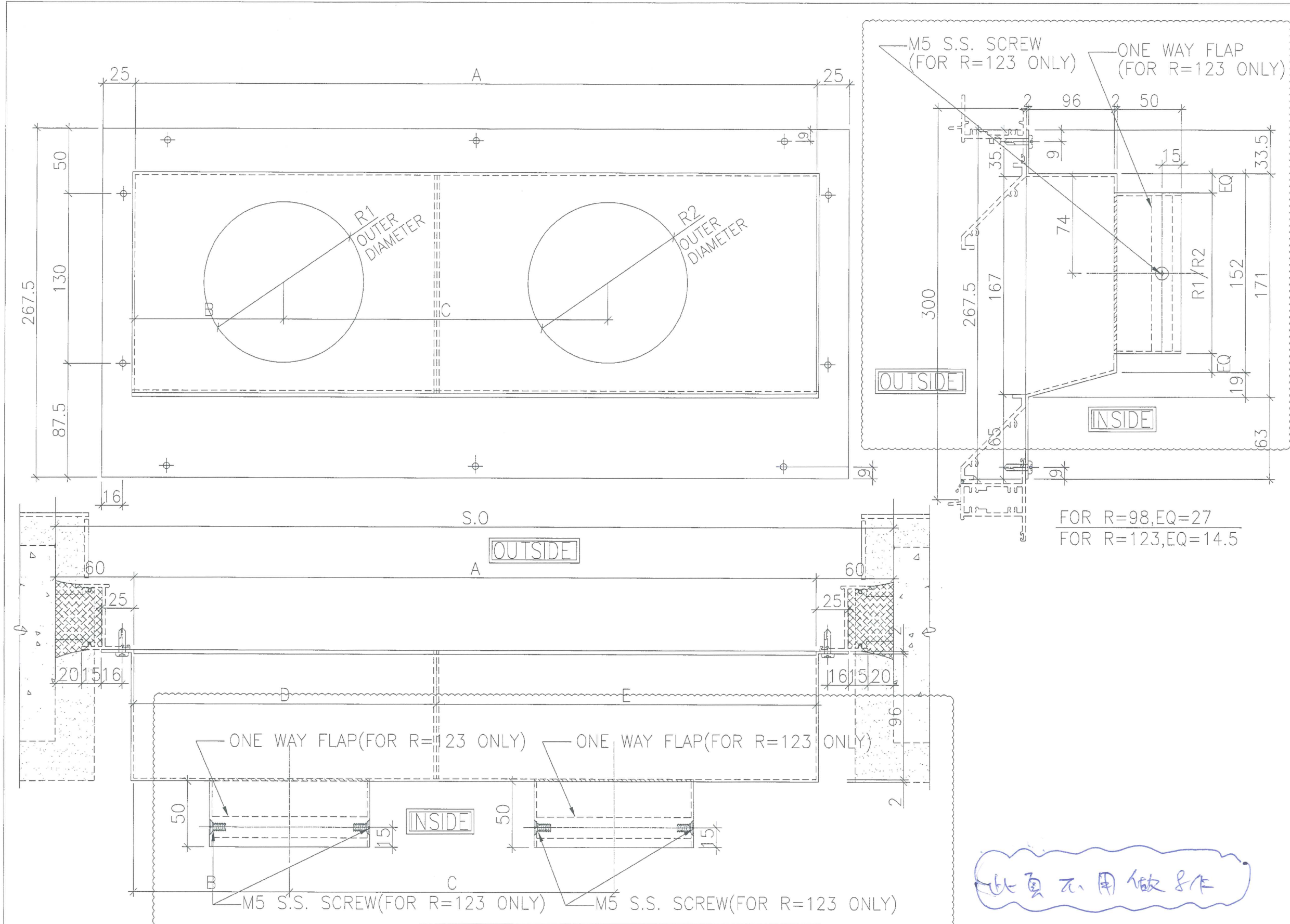
DATE : 04-JUL-18 SCALE : 1:##

DRAWN BY : Zeng CHECKED BY : DW

美特鋁質有限公司  
 MIDI ALUMINIUM FABRICATOR LTD.  
 Units 6-8, Sunray Industrial Centre, 1/F  
 610 Cha Kwo Ling Road, Kowloon  
 Tel: 23489211-4 Fax: (852) 27727666

DWG NO. : J837- PB-2105A REV. : -

11/6/19



B.D. REF :

CLIENT :  
 信和置業有限公司  
 Sino Land Company Limited

ARCHITECT :  
 WONG TUNG & PARTNERS LIMITED  
 ARCHITECTS & PLANNERS

MAIN CONTRACTOR :  
 CR Construction Company Limited

STRUCTURAL ENGINEER :  
 AECOM

FACADE CONSULTANT:

NOTE :  
 1. ALL DIMENSIONS ARE IN mm.  
 2. ALL ELEVATIONS ARE VIEWED FROM OUTSIDE.  
 3. ALL DIMENSIONS TO BE VERIFIED ON SITE BEFORE FABRICATION.

LEGEND :  
 X1 --- DETAIL MARK NO.  
 X001 --- REFER SHEET NO.  
 1. F.F.L. --- FINISHED FLOOR LEVEL  
 2. S.F.L. --- STRUCTURAL FLOOR LEVEL  
 3. --- REVERSED DETAIL

B	2019/4/2	GENERAL REVISION	Zeng
A	2019/2/13	GENERAL REVISION	Zeng
NO.	DATE	REVISED	BY

JOB NO. : J-837  
 PROJECT :  
 URA KWUN TONG TOWN CENTRE  
 REDEVELOPMENT (AREA 2 & 3) AT  
 NKIL 6514, KWUN TONG, KOWLOON

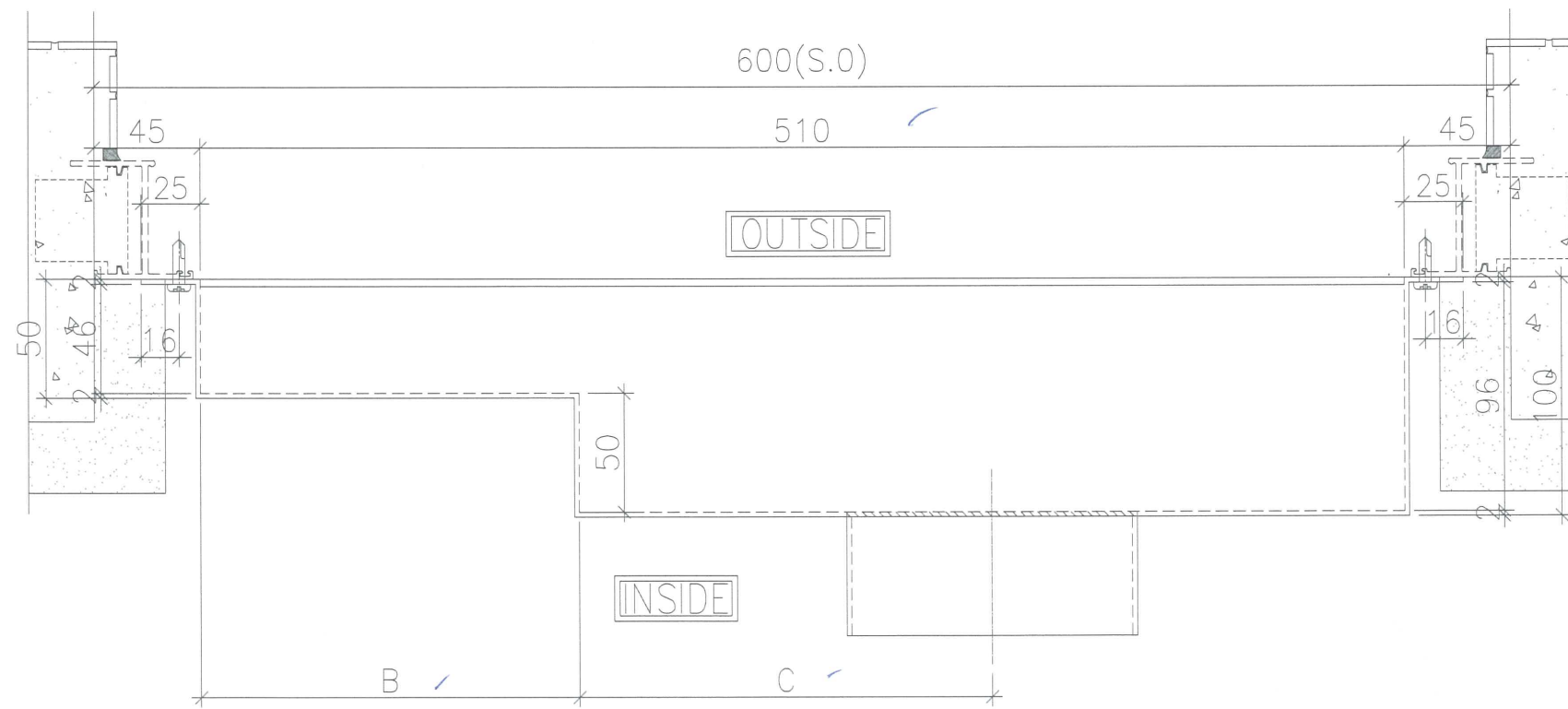
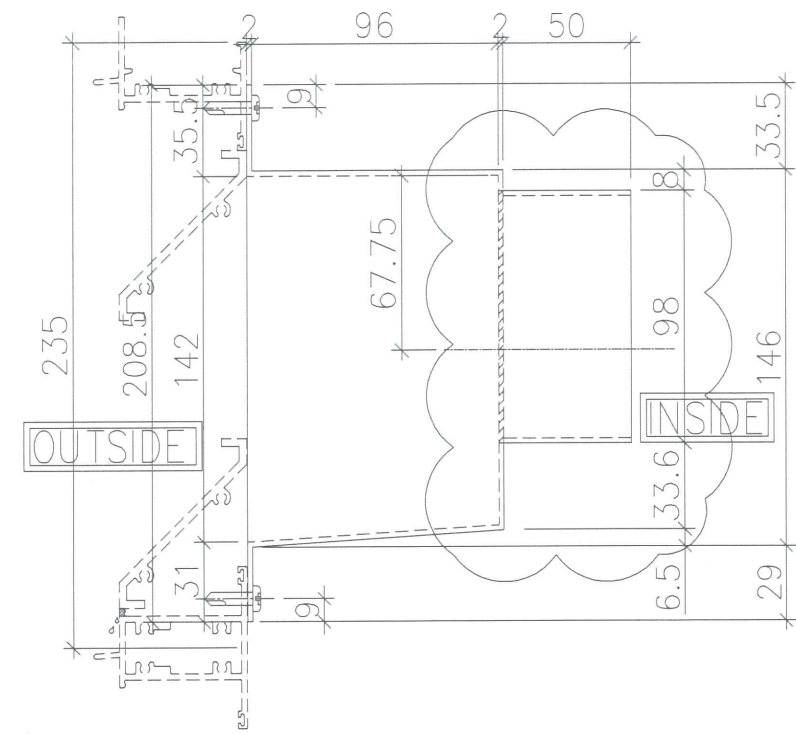
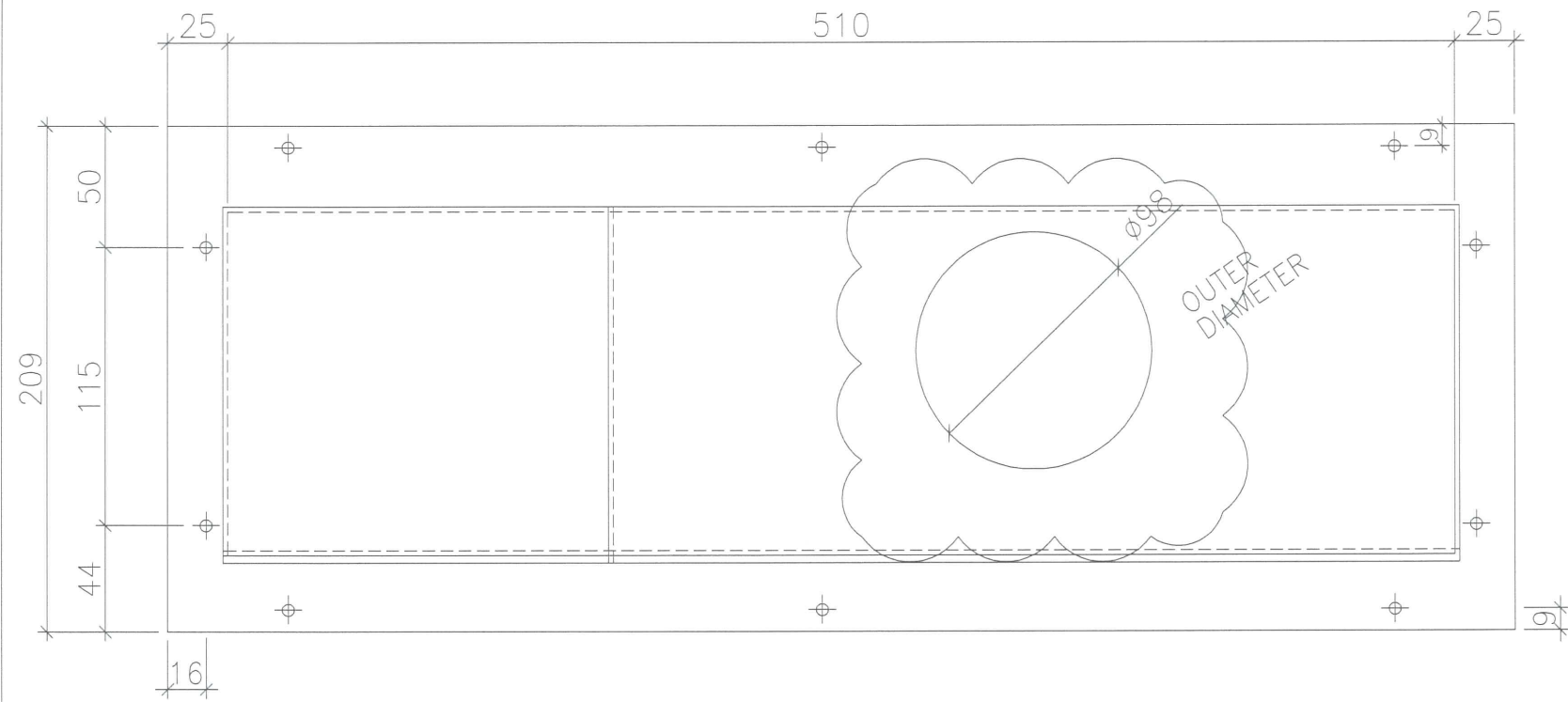
TITLE :  
 TOWER AIR PLENUM BOX SCHEDULE  
 (INSITU FOR KITCHEN)

DATE : 04-JUL-18 SCALE : 1:##  
 DRAWN BY : Zeng CHECKED BY : DW

美特鋁質有限公司  
 MIDI ALUMINIUM FABRICATOR LTD.  
 Units 6-8, Sunray Industrial Centre, 1/F  
 610 Cha Kwo Ling Road, Kowloon  
 Tel:23489211-4 Fax:(852)2727666

DWG NO. : J837- PB-2106 REV. : B

BOX NO.	S.O	A	B	C	D	E	R1	R2	QTY.	LOCATION	WINDOW NO.
T2P/N-K	550	430	145	195	250	180	98	123	4342	6F~55F	T2W/N-3
T2P/D-K	500	380	95	210	230	150	98	123	4342	6F~55F	T2W/D-1
T2P/C-K	440	320	75	160	150	170	123	98	4342	6F~55F	T2W/C-1



FOR R=123, EQ=8.25

8F 浴室 窗台

要做 8F

BOX NO.	B	C	QTY.	LOCATION	WINDOW NO.
T2P/G-B	200	160	42	6F~53F	T2W/G-2

B.D. REF :

CLIENT : 信和置業有限公司 Sino Land Company Limited

ARCHITECT : WONG TUNG & PARTNERS LIMITED ARCHITECTS & PLANNERS

MAIN CONTRACTOR : CR Construction Company Limited

STRUCTURAL ENGINEER : AECOM

FAÇADE CONSULTANT :

NOTE :

- ALL DIMENSIONS ARE IN mm.
- ALL ELEVATIONS ARE VIEWED FROM OUTSIDE.
- ALL DIMENSIONS TO BE VERIFIED ON SITE BEFORE FABRICATION.

LEGEND :

X1 --- DETAIL MARK NO.  
X001 --- REFER SHEET NO.

- F.F.L. --- FINISHED FLOOR LEVEL
- S.F.L. --- STRUCTURAL FLOOR LEVEL
- ⊗ --- REVERSED DETAIL

b	2019/6/10	GENERAL REVISION	Zeng
A	2019/2/13	GENERAL REVISION	Zeng
NO.	DATE	REVISED	BY

JOB NO. : J-837

PROJECT : URA KWUN TONG TOWN CENTRE REDEVELOPMENT (AREA 2 & 3) AT NKIL 6514, KWUN TONG, KOWLOON

TITLE : TOWER AIR PLENUM BOX SCHEDULE (PRECAST FOR BATHROOM)

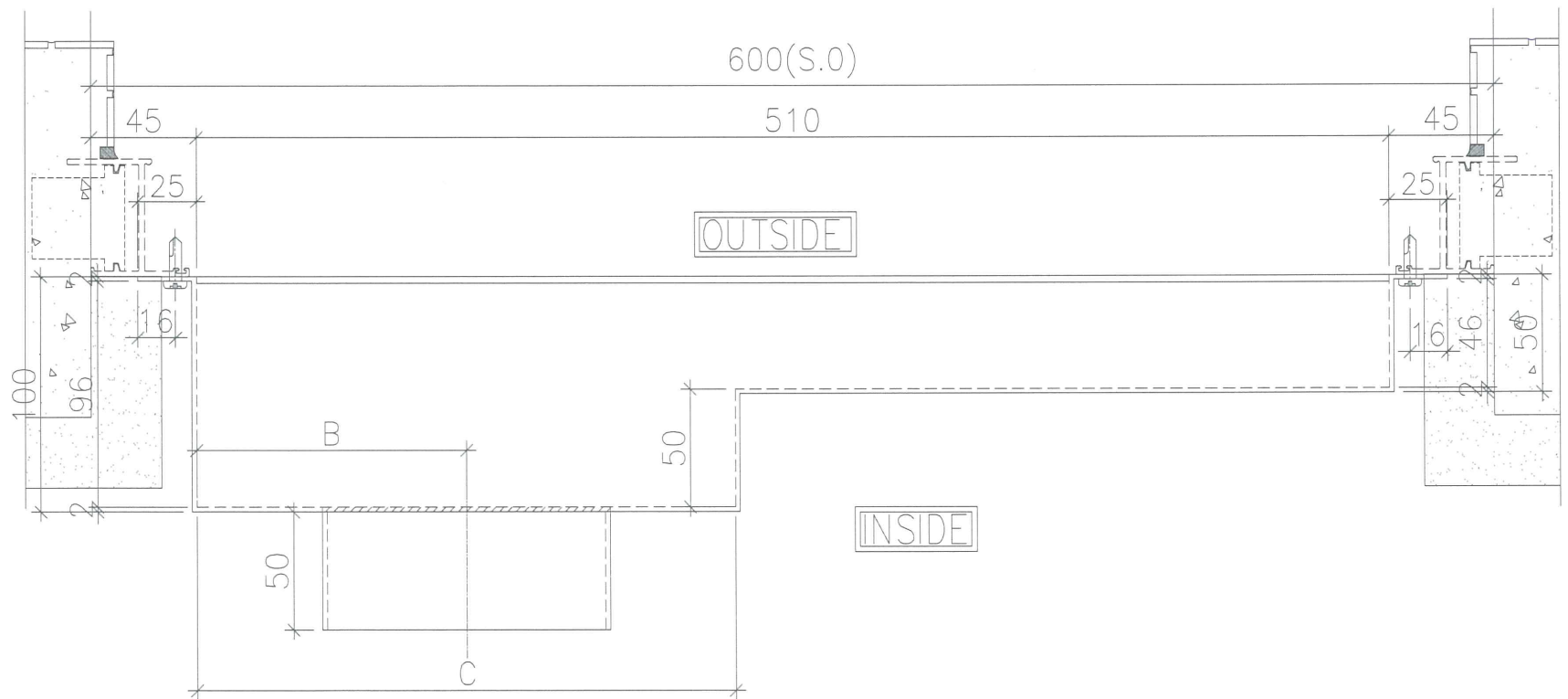
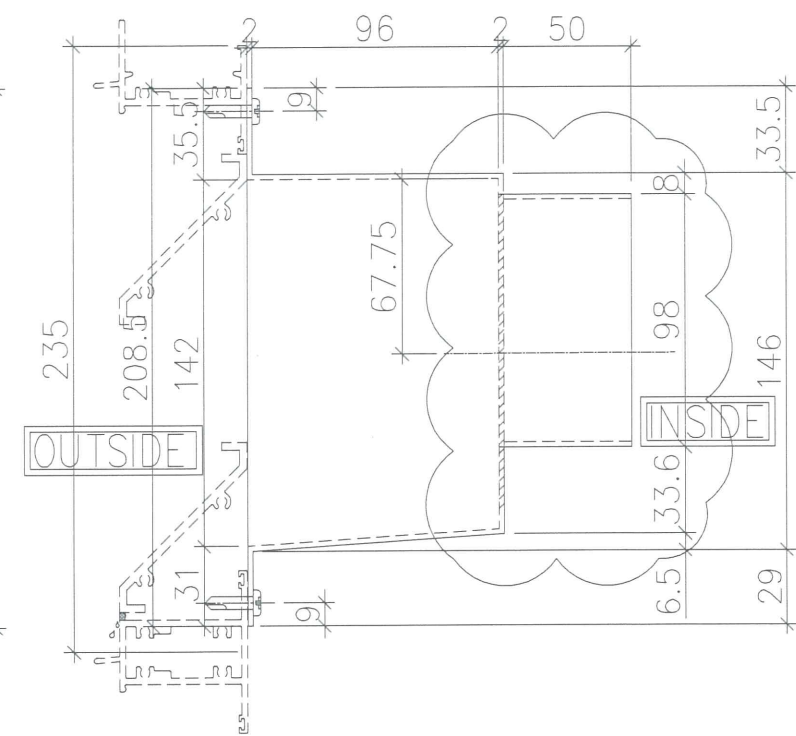
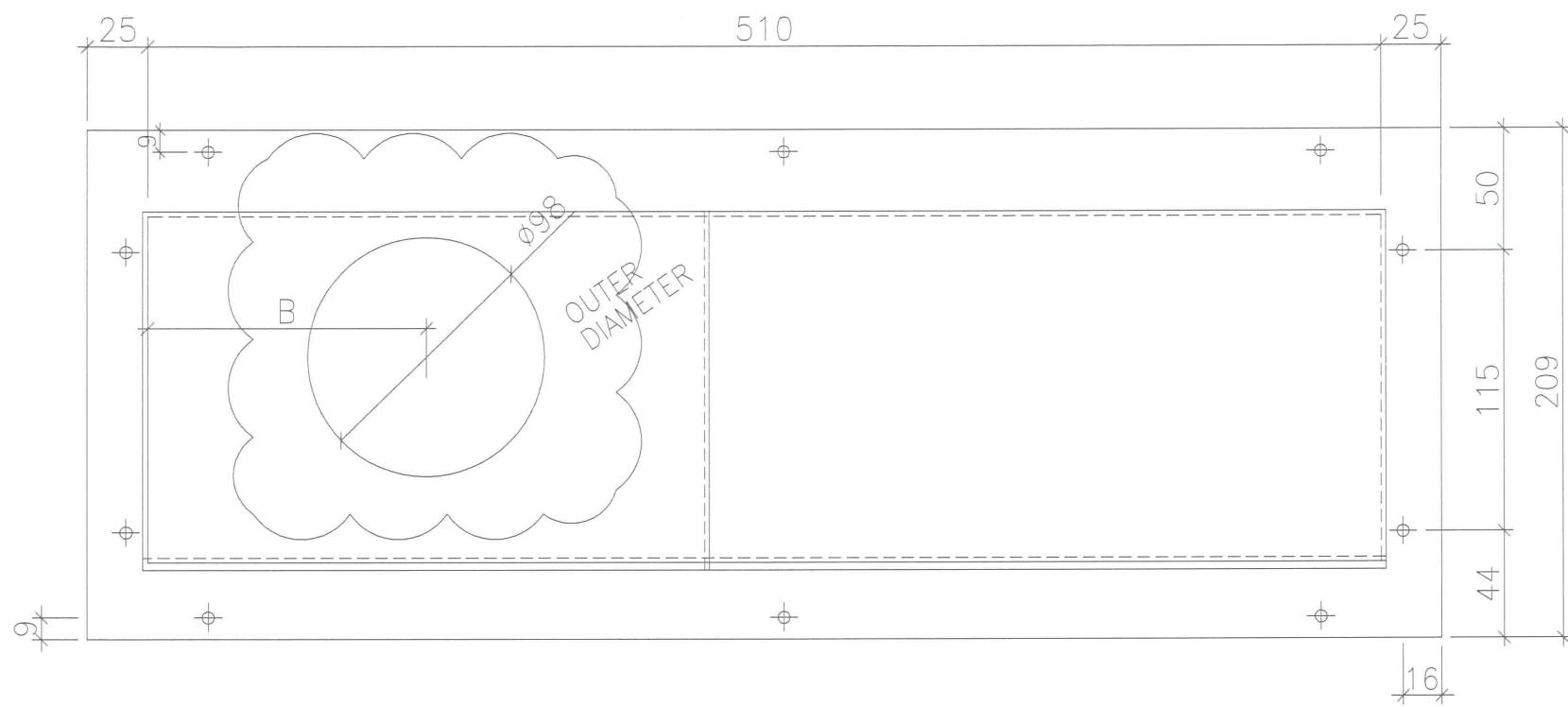
DATE : 04-JUL-18 SCALE : 1:##

DRAWN BY : Zeng CHECKED BY : DW

美特鋁質有限公司  
MIDI ALUMINIUM FABRICATOR LTD.  
Units 6-8, Sunray Industrial Centre, 1/F  
610 Cha Kwo Ling Road, Kowloon  
Tel:23489211-4 Fax:(852)2772666

DWG NO. : J837- PB-2107 REV. : B

10/6/19



FOR R=123, EQ=8.25

8/12 辦房重做  
要係 8/12

BOX NO.	B	C	QTY.	LOCATION	WINDOW NO.
T3P/F-B	100	200	40	6F~51F	T3W/F-3

B.D. REF :

CLIENT : 信和置業有限公司 Sino Land Company Limited

ARCHITECT : WONG TUNG & PARTNERS LIMITED ARCHITECTS & PLANNERS

MAIN CONTRACTOR : CR Construction Company Limited

STRUCTURAL ENGINEER : AECOM

FACADE CONSULTANT :

NOTE :

- ALL DIMENSIONS ARE IN mm.
- ALL ELEVATIONS ARE VIEWED FROM OUTSIDE.
- ALL DIMENSIONS TO BE VERIFIED ON SITE BEFORE FABRICATION.

LEGEND :

X1 --- DETAIL MARK NO.  
X001 --- REFER SHEET NO.

- F.F.L. --- FINISHED FLOOR LEVEL
- S.F.L. --- STRUCTURAL FLOOR LEVEL
- (R) --- REVERSED DETAIL

NO.	DATE	REVISED	BY
B	2019/6/10	GENERAL REVISION	Zeng
A	2019/2/13	GENERAL REVISION	Zeng

JOB NO. : J-837

PROJECT : URA KWUN TONG TOWN CENTRE REDEVELOPMENT (AREA 2 & 3) AT NKIL 6514, KWUN TONG, KOWLOON

TITLE : TOWER AIR PLENUM BOX SCHEDULE (PRECAST FOR BATHROOM)

DATE : 04-JUL-18 SCALE : 1:##

DRAWN BY : Zeng CHECKED BY : DW

MIDI ALUMINIUM FABRICATOR LTD.  
Units 6-8, Sunray Industrial Centre, 1/F  
610 Cha Kwo Ling Road, Kowloon  
Tel:23489211-4 Fax:(852)27727666

DWG NO. : JB37- PB-210B REV. : B

10/6/18

B.D. REF :

CLIENT :  
信和置業有限公司  
Sino Land Company Limited

ARCHITECT :  
WONG TUNG & PARTNERS LIMITED  
ARCHITECTS & PLANNERS  
**WT**

MAIN CONTRACTOR :  
CR Construction Company Limited

STRUCTURAL ENGINEER :  
**AECOM**

FAÇADE CONSULTANT:

NOTE :  
1. ALL DIMENSIONS ARE IN mm.  
2. ALL ELEVATIONS ARE VIEWED FROM OUTSIDE.  
3. ALL DIMENSIONS TO BE VERIFIED ON SITE BEFORE FABRICATION.

LEGEND :  
x1 --- DETAIL MARK NO.  
x001 --- REFER SHEET NO.  
1. F.F.L. --- FINISHED FLOOR LEVEL  
2. S.F.L. --- STRUCTURAL FLOOR LEVEL  
3. (B) --- REVERSED DETAIL

B	2019/4/2	GENERAL REVISION	Zeng
A	2019/2/13	GENERAL REVISION	Zeng
NO.	DATE	REVISED	BY

JOB NO. : J-837

PROJECT :  
URA KWUN TONG TOWN CENTRE  
REDEVELOPMENT (AREA 2 & 3) AT  
NKIL 6514, KWUN TONG, KOWLOON

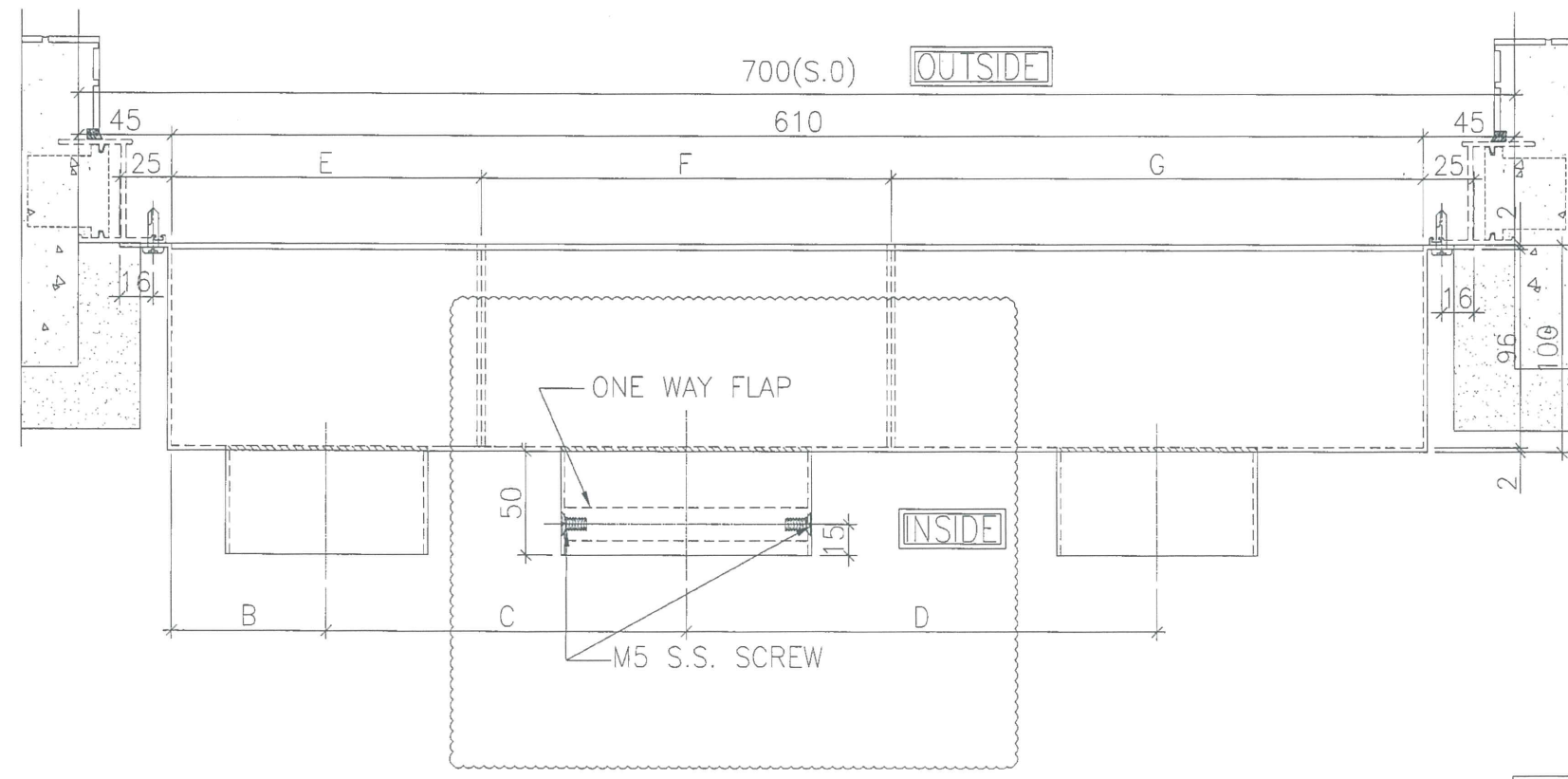
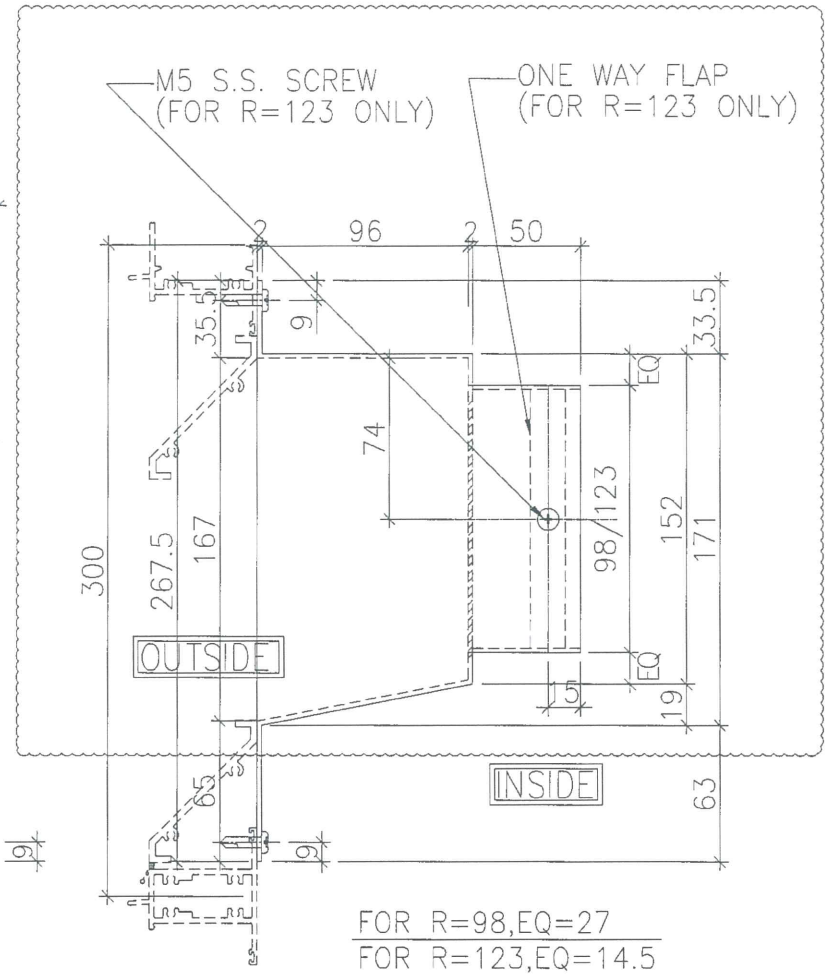
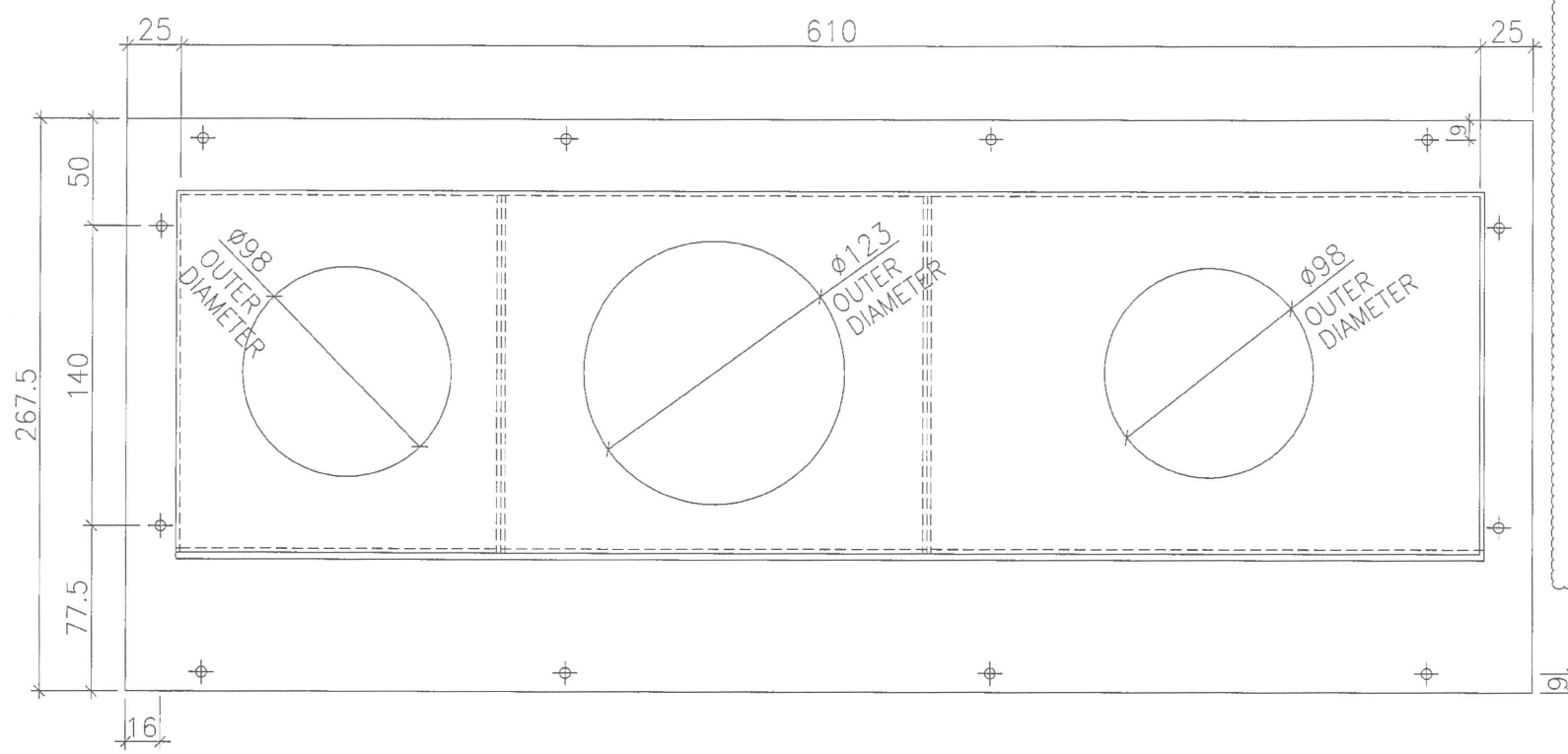
TITLE :  
TOWER AIR PLENUM BOX SCHEDULE  
(PRECAST FOR KITCHEN)

DATE : 04-JUL-18 SCALE : 1:##

DRAWN BY : Zeng CHECKED BY : DW

**美特鋁質有限公司**  
MIDI ALUMINIUM FABRICATOR LTD.  
Units 6-8, Sunray Industrial Centre, 1/F  
610 Cha Kwo Ling Road, Kowloon  
Tel:23489211-4 Fax:(852)27727666

DWG NO. : J837- PB-2109 REV. : B



不用做8件

BOX NO.	B	C	D	E	F	G	QTY.	LOCATION	WINDOW NO.
T2P/A-K	75	175	200	150	200	260	42	6F~55F	T2W/A-3

B.D. REF :

CLIENT :  
信和置業有限公司  
Sino Land Company Limited

ARCHITECT :  
WONG TUNG & PARTNERS LIMITED  
ARCHITECTS & PLANNERS

MAIN CONTRACTOR :  
CR Construction Company Limited

STRUCTURAL ENGINEER :  
AECOM

FACADE CONSULTANT:

NOTE :  
1. ALL DIMENSIONS ARE IN mm.  
2. ALL ELEVATIONS ARE VIEWED FROM OUTSIDE.  
3. ALL DIMENSIONS TO BE VERIFIED ON SITE BEFORE FABRICATION.

LEGEND :  
X1 - DETAIL MARK NO.  
X001 - REFER SHEET NO.  
1. F.F.L. -- FINISHED FLOOR LEVEL  
2. S.F.L. -- STRUCTURAL FLOOR LEVEL  
3. (R) -- REVERSED DETAIL

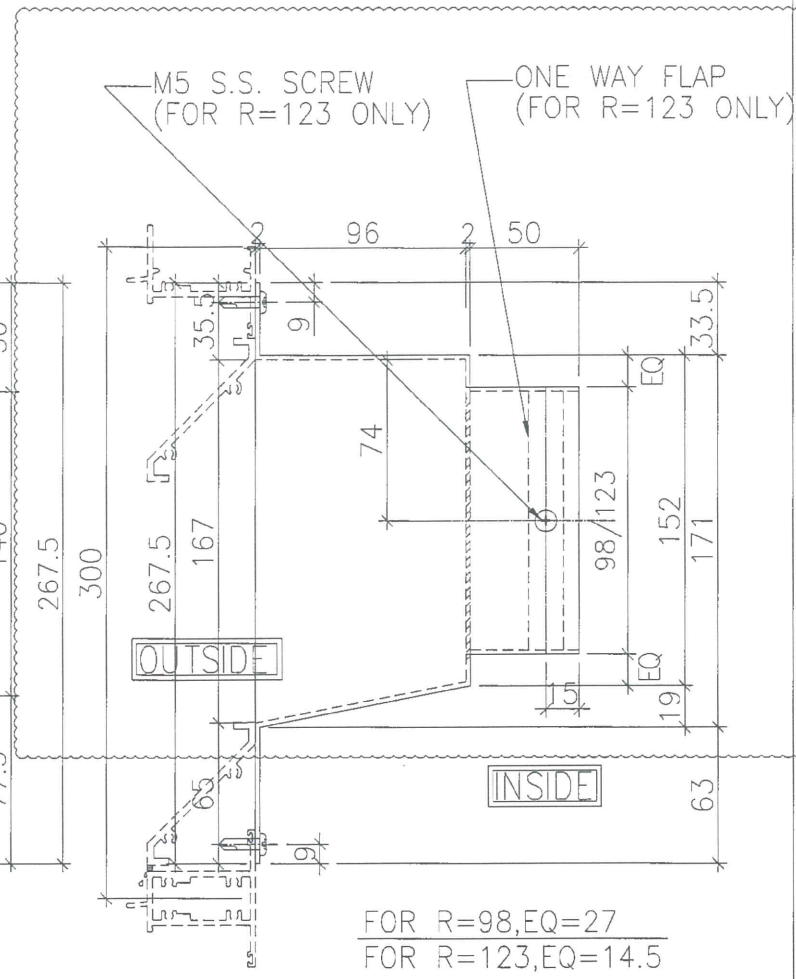
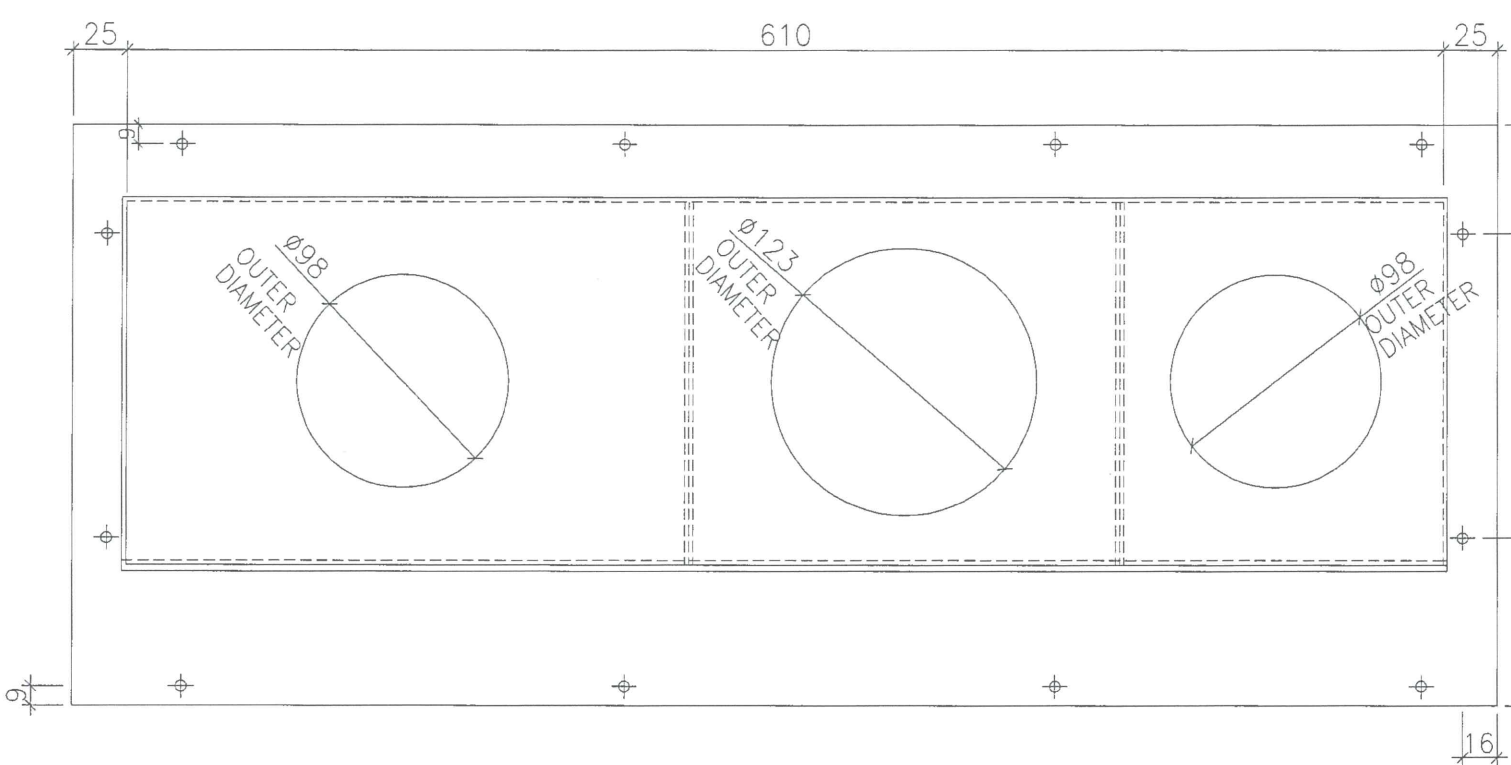
B	2019/4/2	GENERAL REVISION	Zeng
A	2019/2/13	GENERAL REVISION	Zeng
NO.	DATE	REVISED	BY

JOB NO. : J-837  
PROJECT :  
URA KWUN TONG TOWN CENTRE  
REDEVELOPMENT (AREA 2 & 3) AT  
NKIL 6514, KWUN TONG, KOWLOON

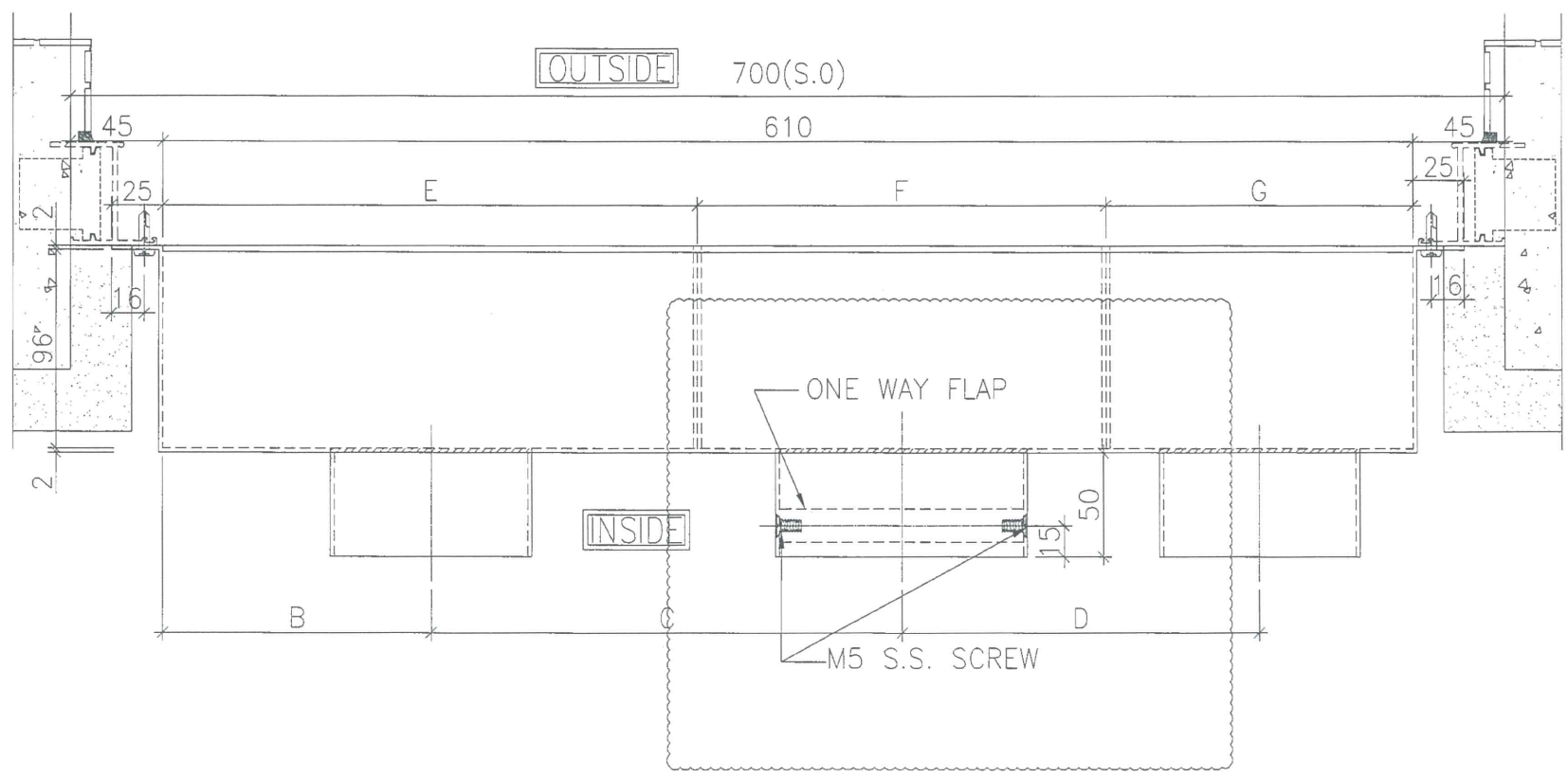
TITLE :  
TOWER AIR PLENUM BOX SCHEDULE  
(PRECAST FOR KITCHEN)

DATE : 04-JUL-18 SCALE : 1:##  
DRAWN BY : Zeng CHECKED BY : DW

MIDI 美特鋁質有限公司  
ALUMINIUM FABRICATOR LTD.  
Units 6-8, Sunray Industrial Centre, 1/F  
610 Cha Kwo Ling Road, Kowloon  
Tel: 23489211-4 Fax: (852) 27727666  
DWG NO. : J837- PB-2110 REV. : B



FOR R=98,EQ=27  
FOR R=123,EQ=14.5



不用做拆


BOX NO.	B	C	D	E	F	G	QTY.	LOCATION	WINDOW NO.
T2P/B-K	200	160	175	260	200	150	42	6F~55F	T2W/B-3

42

B.D. REF :

CLIENT :  
 信和置業有限公司  
 Sino Land Company Limited

ARCHITECT :  
 WONG TUNG & PARTNERS LIMITED  
 ARCHITECTS & PLANNERS

MAIN CONTRACTOR :  
 CR Construction Company Limited

STRUCTURAL ENGINEER :  
 AECOM

FACADE CONSULTANT :

NOTE :  
 1. ALL DIMENSIONS ARE IN mm.  
 2. ALL ELEVATIONS ARE VIEWED FROM OUTSIDE.  
 3. ALL DIMENSIONS TO BE VERIFIED ON SITE BEFORE FABRICATION.

LEGEND :  
 X1 - DETAIL MARK NO.  
 X001 - REFER SHEET NO.  
 1. F.F.L. -- FINISHED FLOOR LEVEL  
 2. S.F.L. -- STRUCTURAL FLOOR LEVEL  
 3. (R) -- REVERSED DETAIL

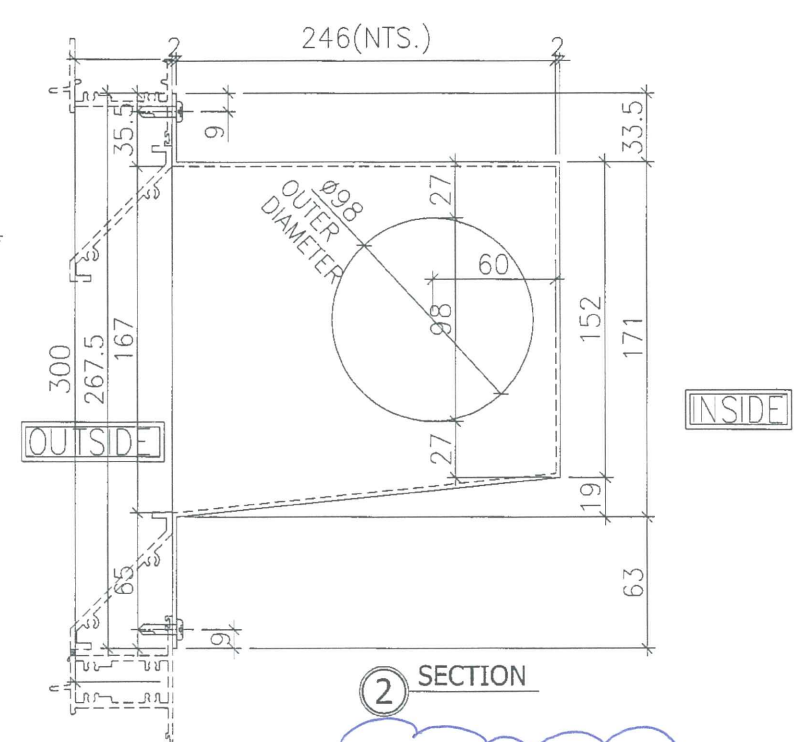
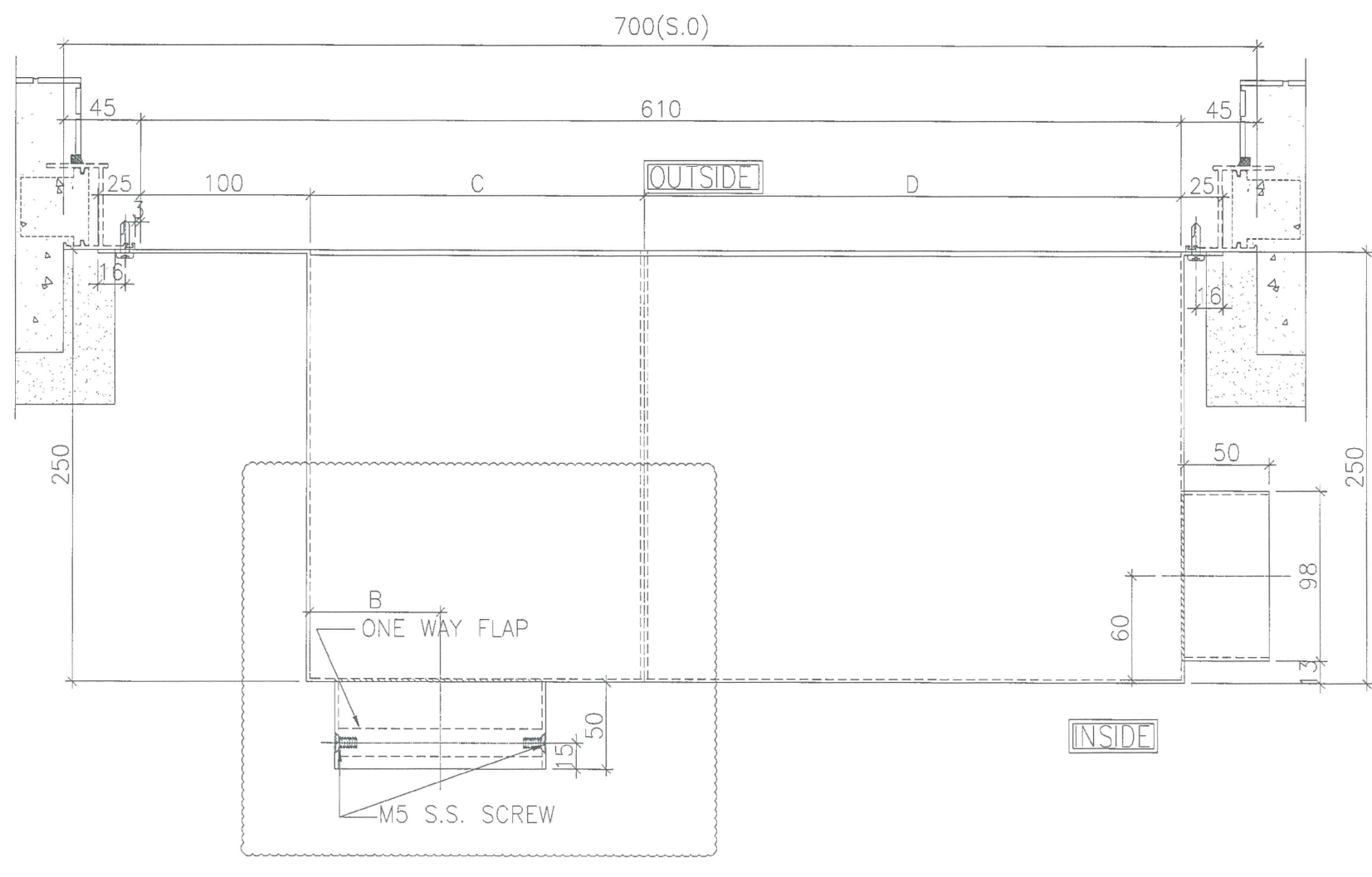
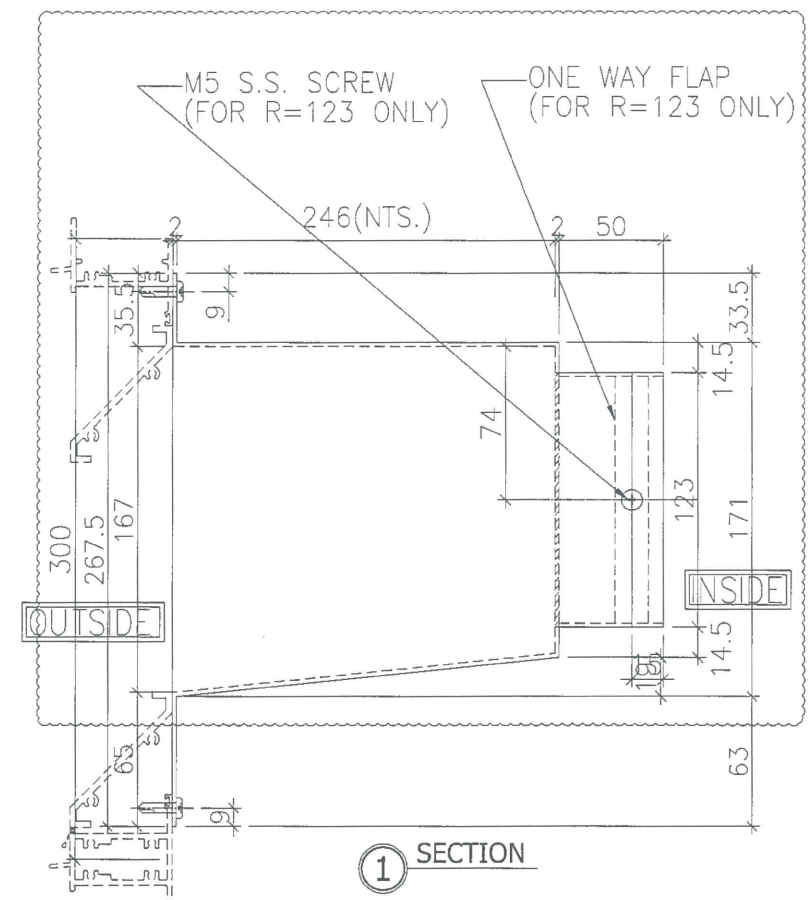
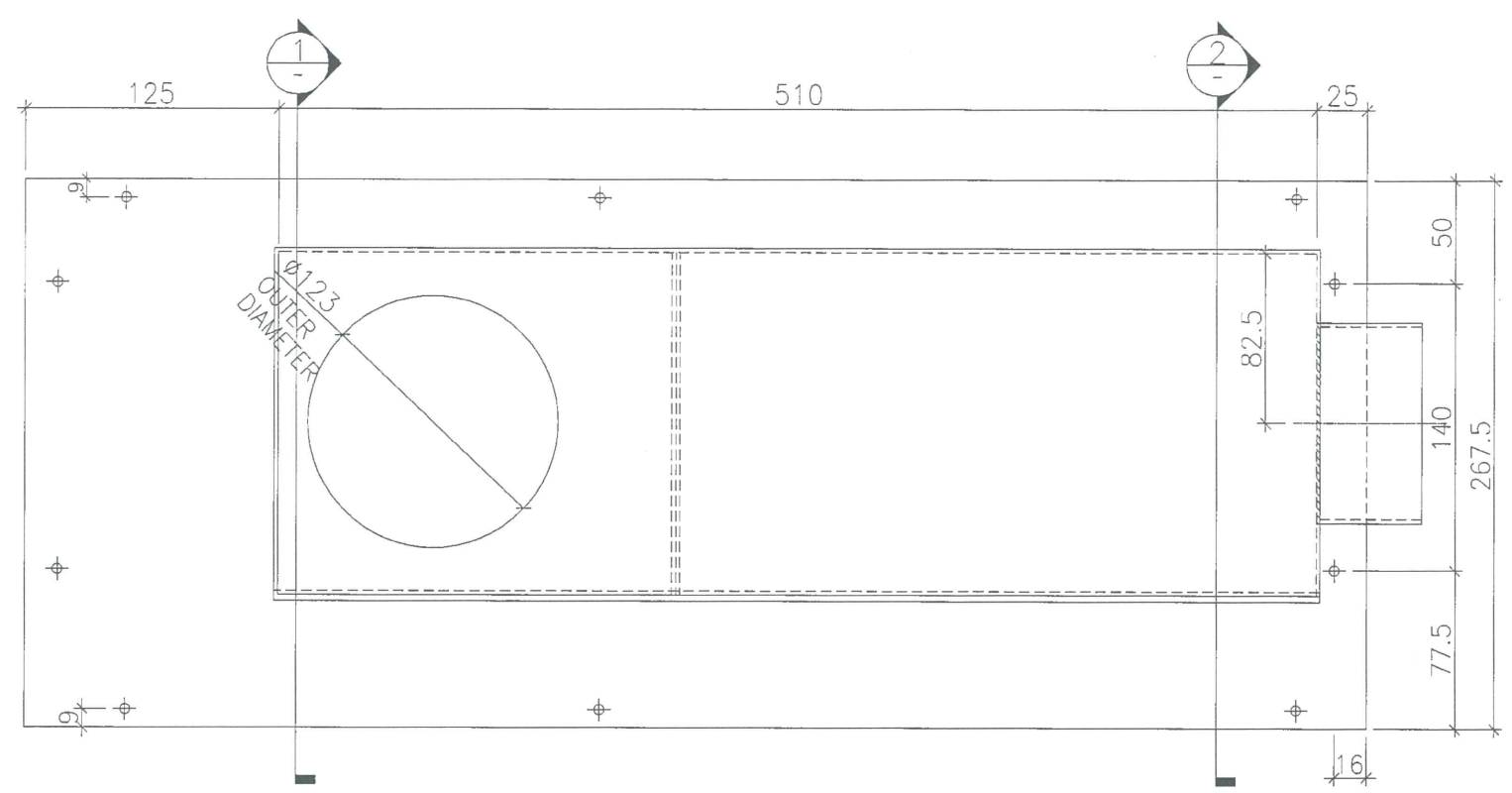
B	2016/4/2	GENERAL REVISION	Zeng
A	2016/2/13	GENERAL REVISION	Zeng
NO.	DATE	REVISED	BY

JOB NO. : J-837  
 PROJECT : URA KWUN TONG TOWN CENTRE REDEVELOPMENT (AREA 2 & 3) AT NKIL 6514, KWUN TONG, KOWLOON

TITLE : TOWER AIR PLENUM BOX SCHEDULE (PRECAST FOR KITCHEN)

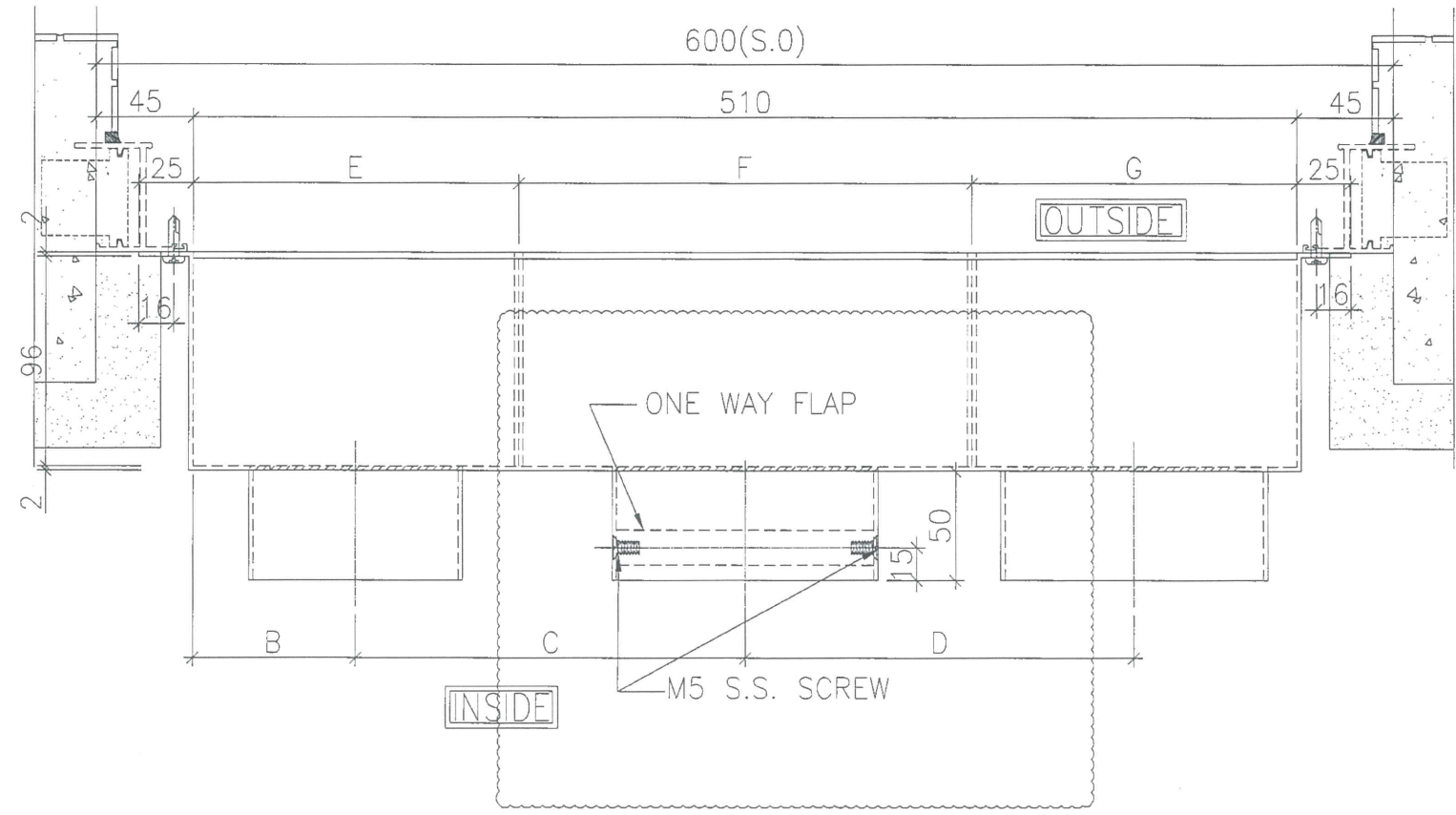
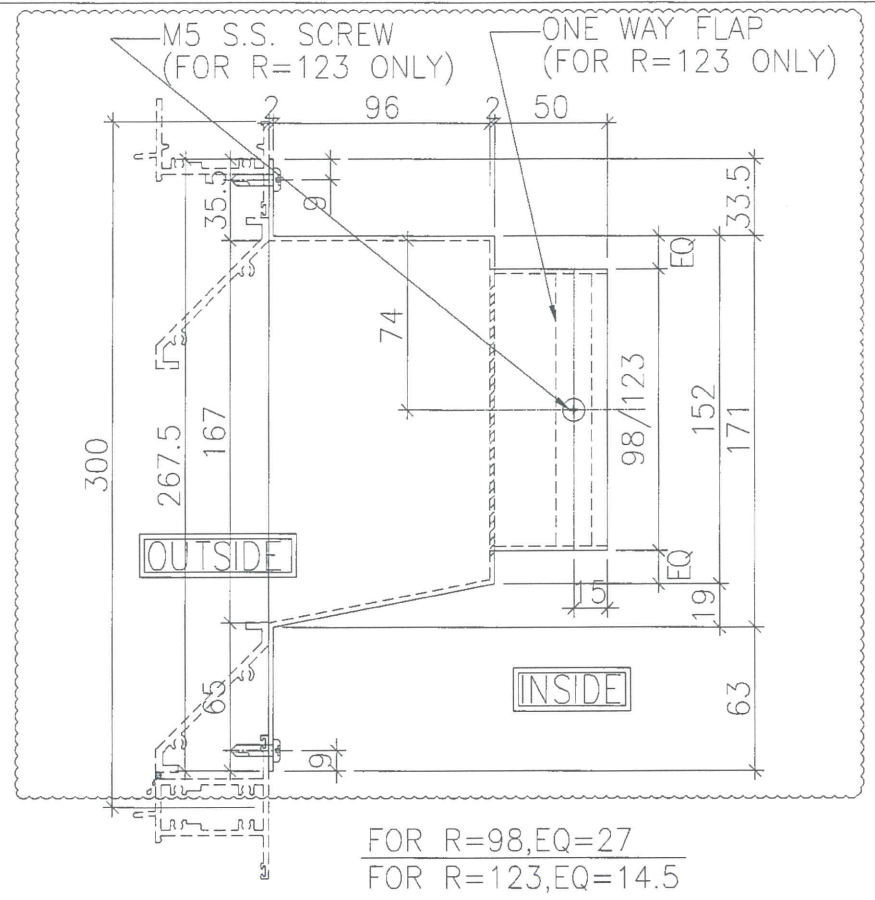
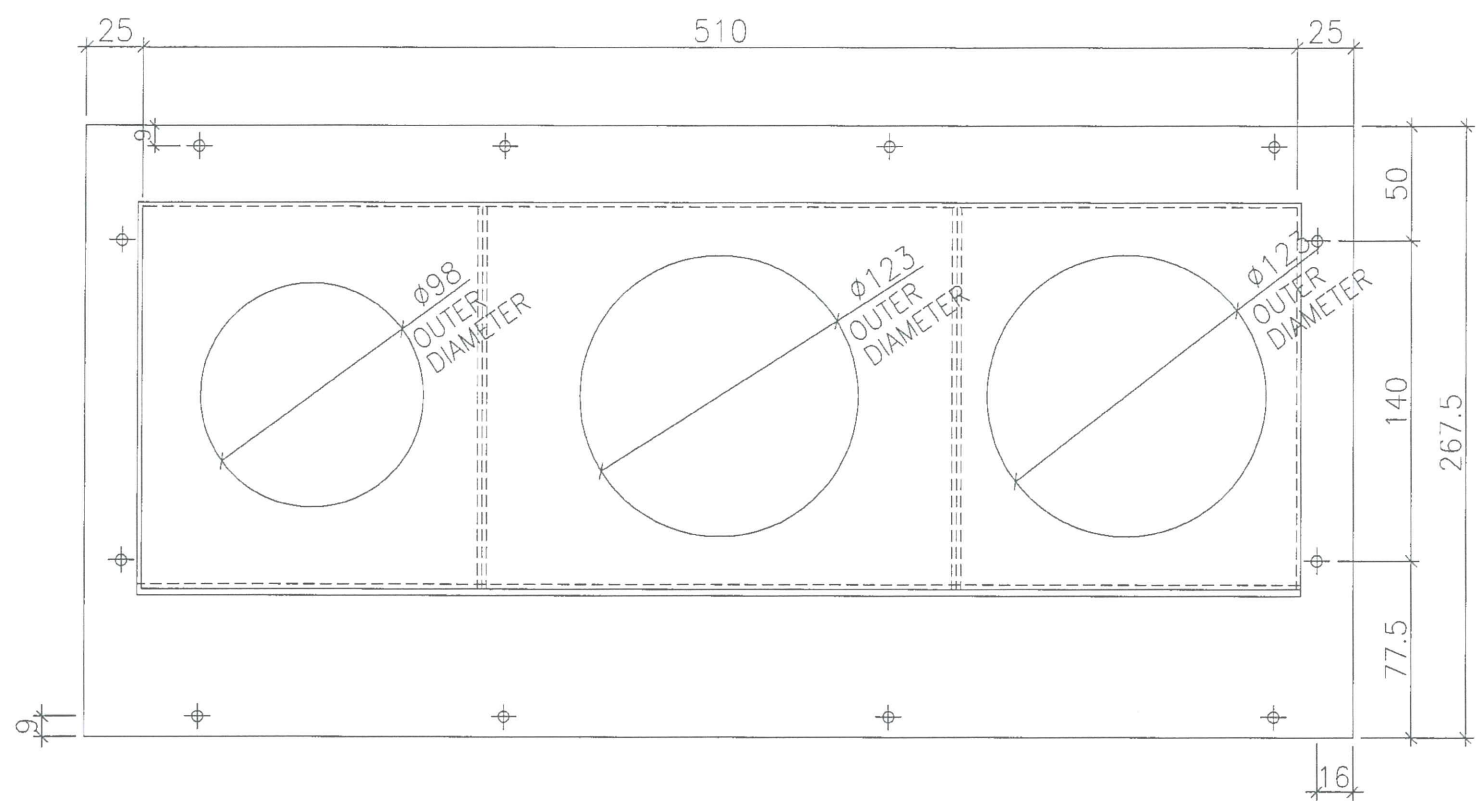
DATE : 04-JUL-18 SCALE : 1:##  
 DRAWN BY : Zeng CHECKED BY : DW

 美特鋁質有限公司  
 MIDI ALUMINIUM FABRICATOR LTD.  
 Units 6-8, Sunray Industrial Centre, 1/F  
 610 Cha Kwo Ling Road, Kowloon  
 Tel:23489211-4 Fax:(852)27727666  
 DWG NO. : JB37-PB-2111 REV. : B



不用做8F

BOX NO.	B	C	D	QTY.	LOCATION	WINDOW NO.
T2P/H-K	95	190	320	41	6F~53F	T2W/H-2



B.D. REF :

CLIENT :  
 信和置業有限公司  
 Sino Land Company Limited

ARCHITECT :  
 WONG TUNG & PARTNERS LIMITED  
 ARCHITECTS & PLANNERS

MAIN CONTRACTOR :  
 CR Construction Company Limited

STRUCTURAL ENGINEER :  
 AECOM

FACADE CONSULTANT:

NOTE :  
 1. ALL DIMENSIONS ARE IN mm.  
 2. ALL ELEVATIONS ARE VIEWED FROM OUTSIDE.  
 3. ALL DIMENSIONS TO BE VERIFIED ON SITE BEFORE FABRICATION.

LEGEND :  
 X1 - DETAIL MARK NO.  
 X001 - REFER SHEET NO.  
 1. F.F.L. -- FINISHED FLOOR LEVEL  
 2. S.F.L. -- STRUCTURAL FLOOR LEVEL  
 3. (R) -- REVERSED DETAIL

B	2019/4/2	GENERAL REVISION	Zeng
A	2019/2/13	GENERAL REVISION	Zeng
NO.	DATE	REVISED	BY

JOB NO. : J-837  
 PROJECT :  
 URA KWUN TONG TOWN CENTRE  
 REDEVELOPMENT (AREA 2 & 3) AT  
 NKIL 6514, KWUN TONG, KOWLOON

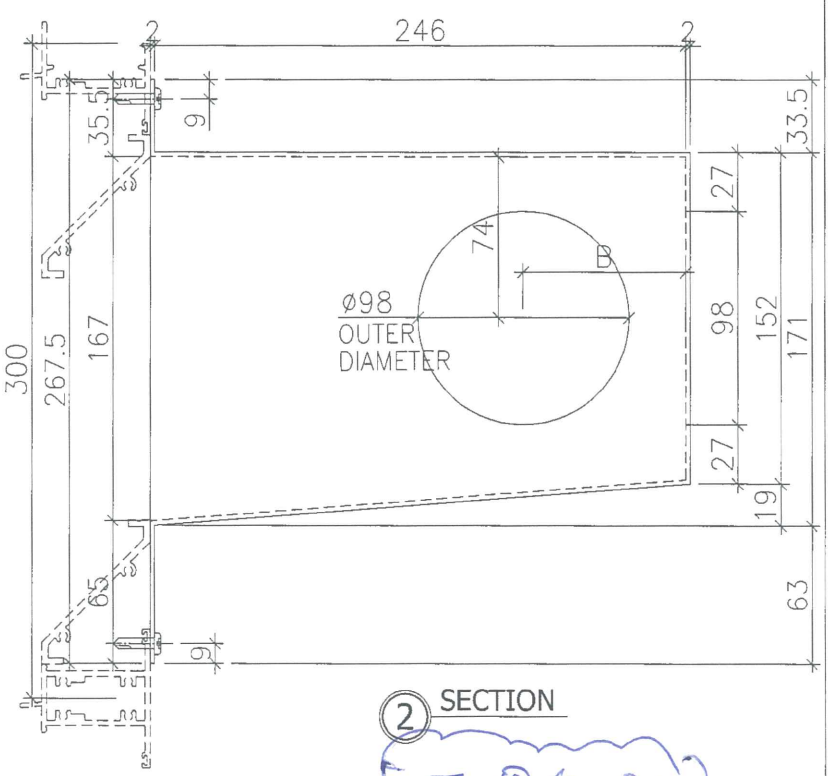
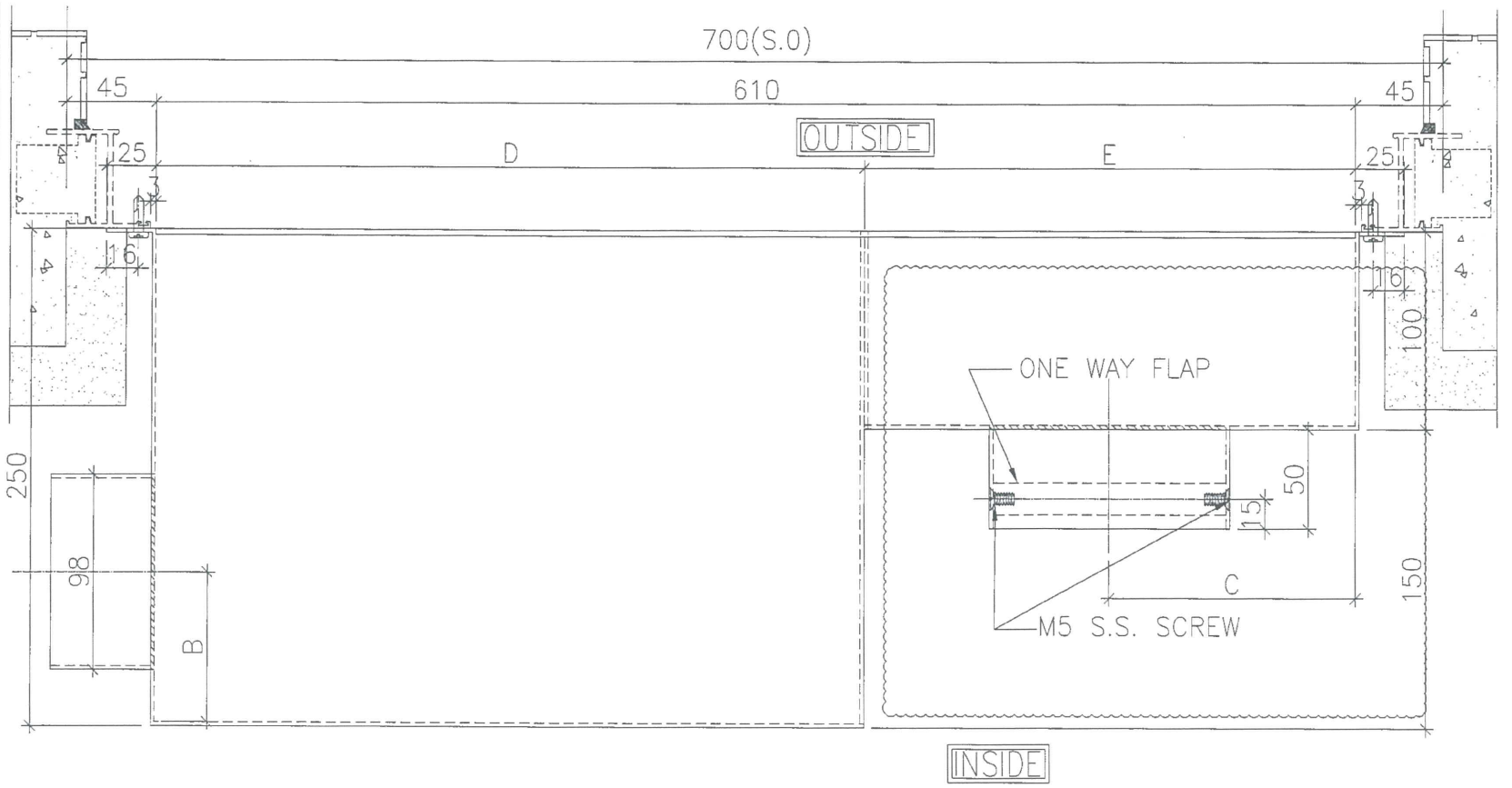
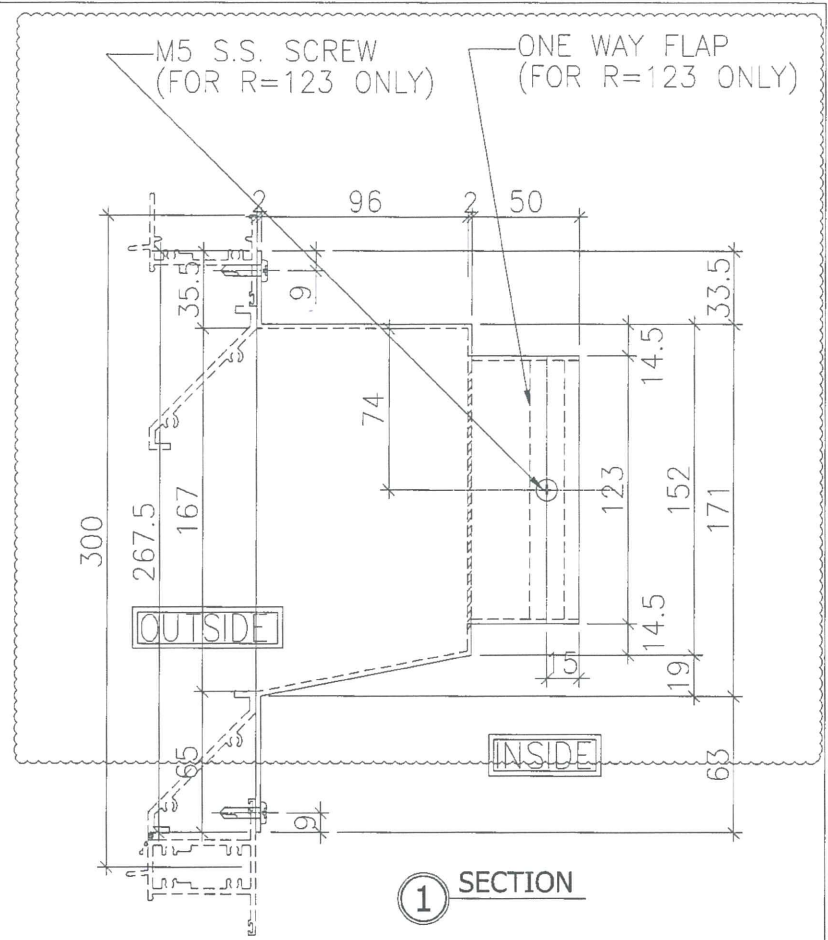
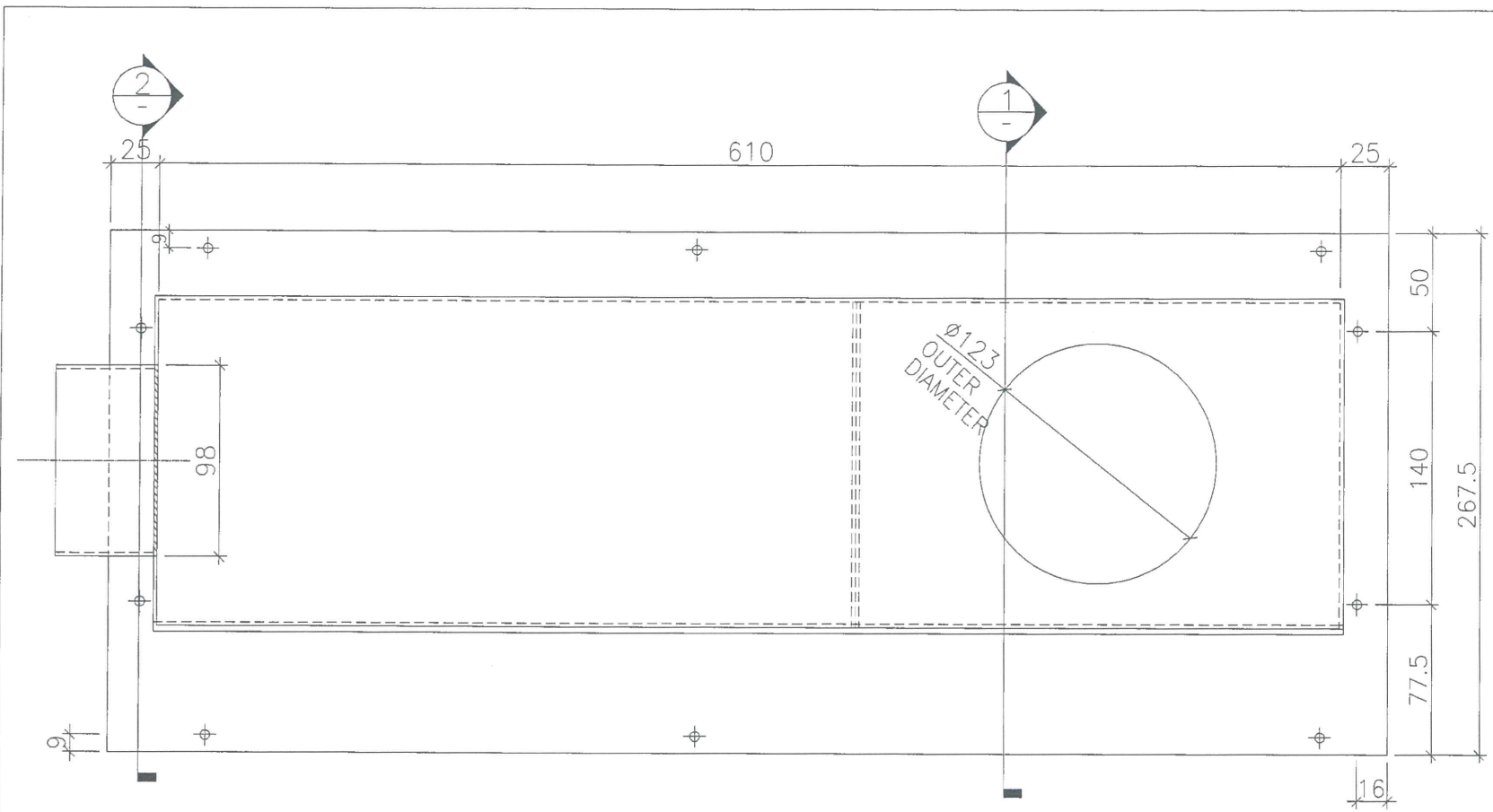
TITLE :  
 TOWER AIR PLENUM BOX SCHEDULE  
 (PRECAST FOR KITCHEN)

DATE : 04-JUL-18 SCALE : 1:##  
 DRAWN BY : Zeng CHECKED BY : DW

美特鋁質有限公司  
 MIDI ALUMINIUM FABRICATOR LTD.  
 Units 6-8, Sunray Industrial Centre, 1/F  
 610 Cha Kwo Ling Road, Kowloon  
 Tel:23489211-4 Fax:(852)27727666  
 DWG NO. : J837- PB-2112 REV. : B

BOX NO.	B	C	D	E	F	G	QTY.	LOCATION	WINDOW NO.
T5P/K-K	75	150	210	150	150	210	38	6F~50F	T5W/K-2

*Handwritten note in blue ink: 2. (A) 做 PF*



② SECTION  
不用做

BOX NO.	B	C	D	E	QTY.	LOCATION	WINDOW NO.
T5P/L-K	60	125	340	270	38	6F~50F	T5W/L-2

B.D. REF :

CLIENT :  
信和置業有限公司  
Sino Land Company Limited

ARCHITECT :  
WONG TUNG & PARTNERS LIMITED  
ARCHITECTS & PLANNERS

MAIN CONTRACTOR :  
CR Construction Company Limited

STRUCTURAL ENGINEER :  
AECOM

FACADE CONSULTANT :

NOTE :  
1. ALL DIMENSIONS ARE IN mm.  
2. ALL ELEVATIONS ARE VIEWED FROM OUTSIDE.  
3. ALL DIMENSIONS TO BE VERIFIED ON SITE BEFORE FABRICATION.

LEGEND :  
X1 - DETAIL MARK NO.  
X001 - REFER SHEET NO.

1. F.F.L. --- FINISHED FLOOR LEVEL  
2. S.F.L. --- STRUCTURAL FLOOR LEVEL  
3. (R) --- REVERSED DETAIL

NO.	DATE	REVISION	BY
B	2018/4/2	GENERAL REVISION	Zeng
A	2019/2/13	GENERAL REVISION	Zeng

JOB NO. : J-837

PROJECT :  
URA KWUN TONG TOWN CENTRE  
REDEVELOPMENT (AREA 2 & 3) AT  
NKIL 6514, KWUN TONG, KOWLOON

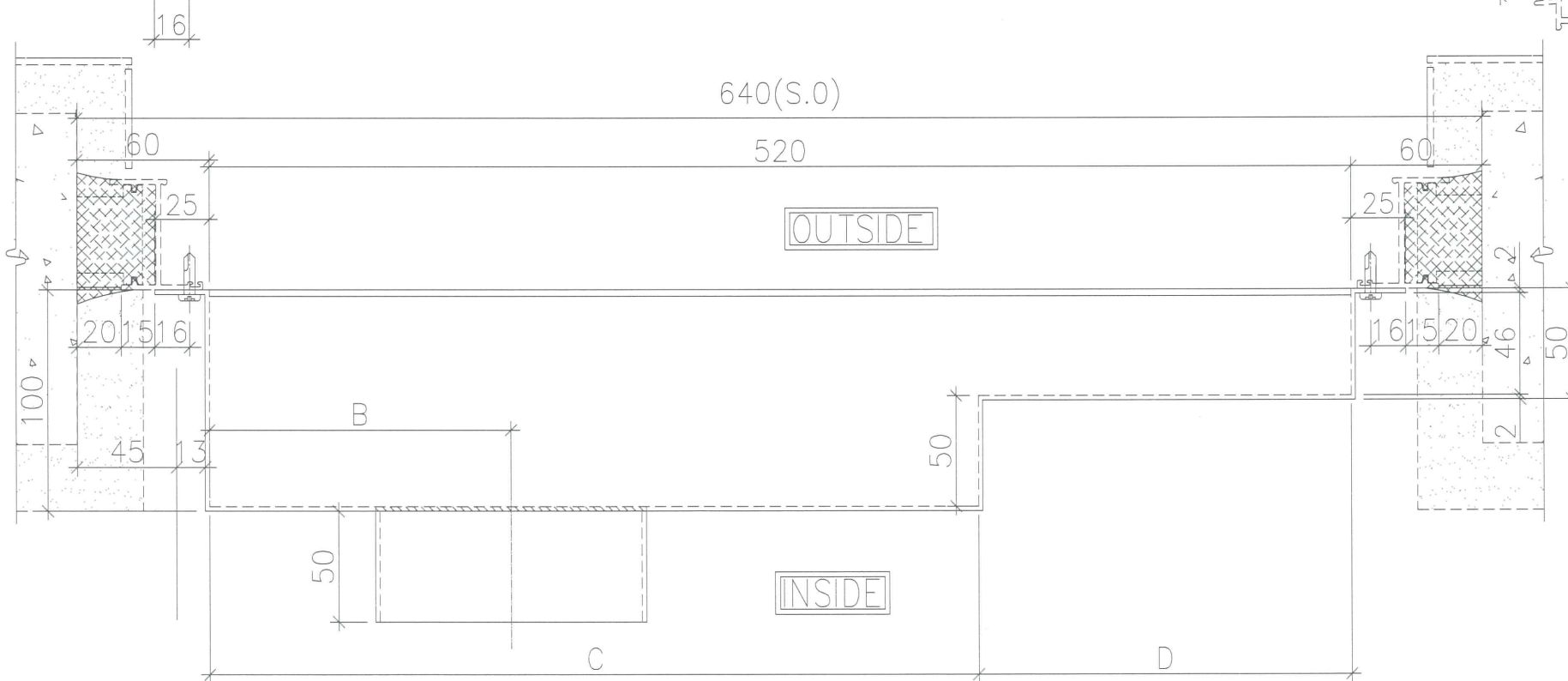
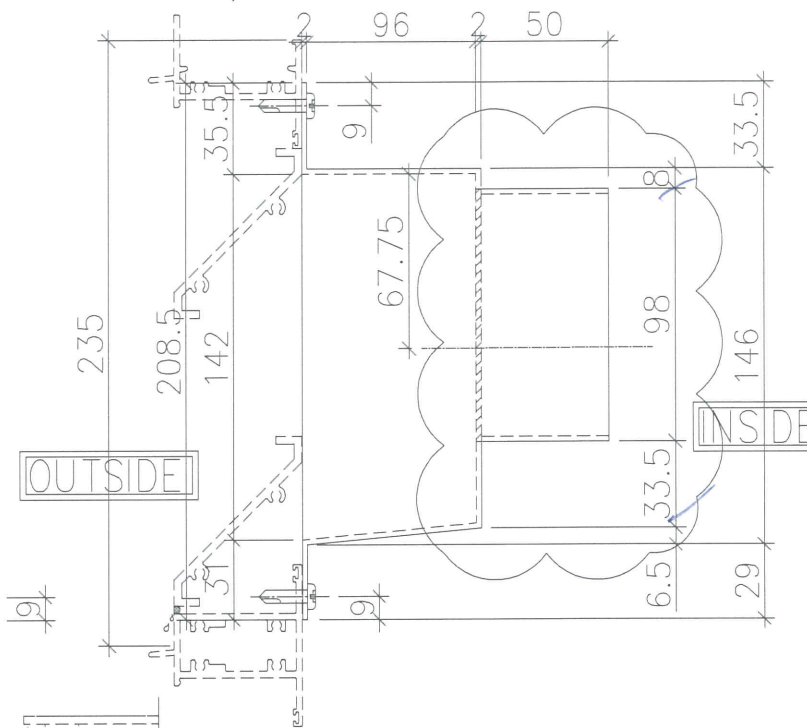
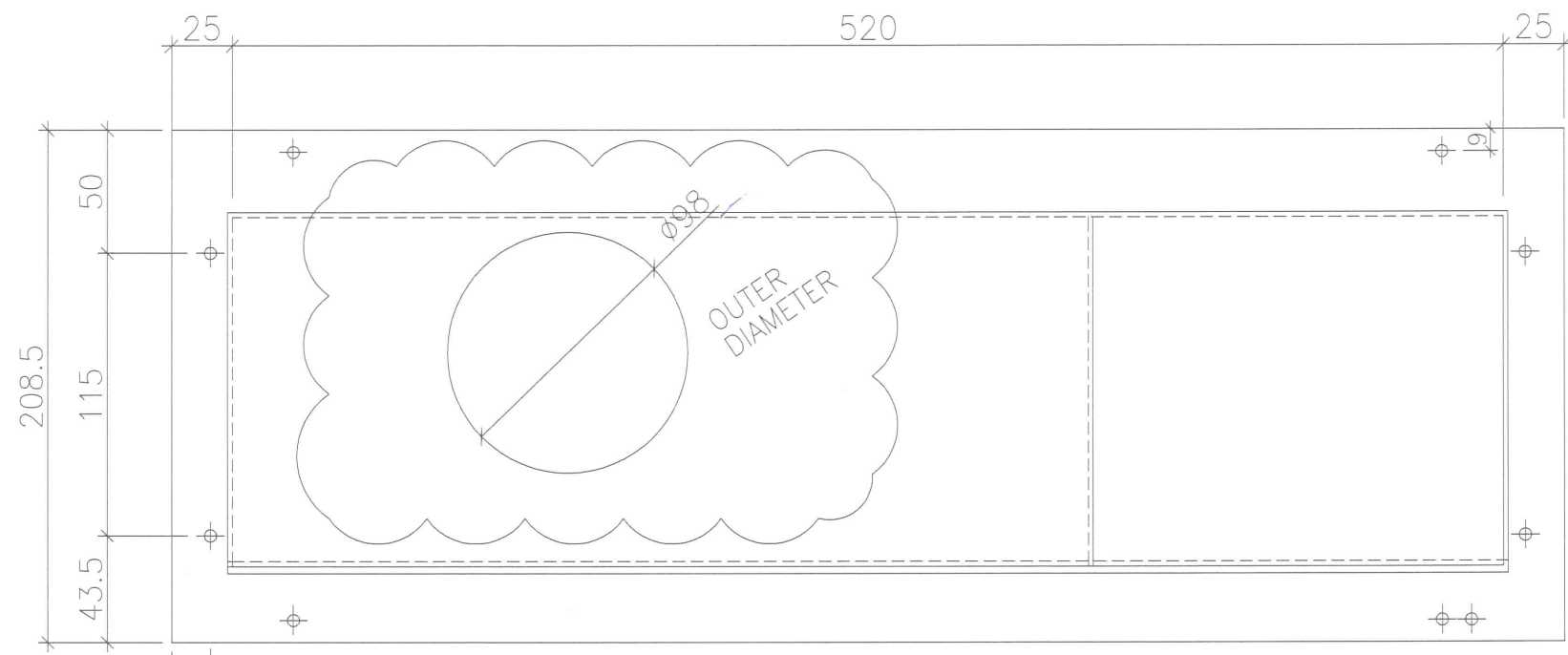
TITLE :  
TOWER AIR PLENUM BOX SCHEDULE  
(PRECAST FOR KITCHEN)

DATE : 04-JUL-18 SCALE : 1:##

DRAWN BY : Zeng CHECKED BY : DW

美特鋁質有限公司  
MIDI ALUMINIUM FABRICATOR LTD.  
Units 6-8, Sunray Industrial Centre, 1/F  
610 Cha Kwo Ling Road, Kowloon  
Tel: 23489211-4 Fax: (852) 2727666

DWG NO. : JB37- PB-2113 REV. : B



FOR R=123, EQ=8.25

8/12 辦好高重做  
要重做 8/12

B.D. REF :

CLIENT : 信和置業有限公司 Sino Land Company Limited

ARCHITECT : WONG TUNG & PARTNERS LIMITED ARCHITECTS & PLANNERS

MAIN CONTRACTOR : CR Construction Company Limited

STRUCTURAL ENGINEER : AECOM

FACADE CONSULTANT :

NOTE :

1. ALL DIMENSIONS ARE IN mm.
2. ALL ELEVATIONS ARE VIEWED FROM OUTSIDE.
3. ALL DIMENSIONS TO BE VERIFIED ON SITE BEFORE FABRICATION.

LEGEND :

X1 --- DETAIL MARK NO.  
X001 --- REFER SHEET NO.

1. F.F.L. --- FINISHED FLOOR LEVEL
2. S.F.L. --- STRUCTURAL FLOOR LEVEL
3. (R) --- REVERSED DETAIL

B	2019/6/10	GENERAL REVISION	Zeng
A	2019/2/13	GENERAL REVISION	Zeng
NO.	DATE	REVISED	BY

JOB NO. : J-837

PROJECT : URA KWUN TONG TOWN CENTRE REDEVELOPMENT (AREA 2 & 3) AT NKIL 6514, KWUN TONG, KOWLOON

TITLE : TOWER AIR PLENUM BOX SCHEDULE (INSITU FOR BATHROOM)

DATE : 04-JUL-18 SCALE : 1:##

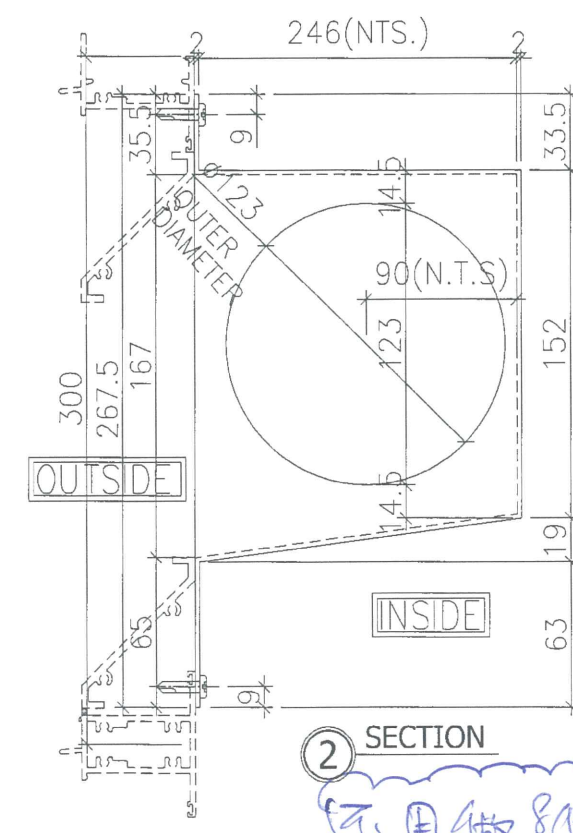
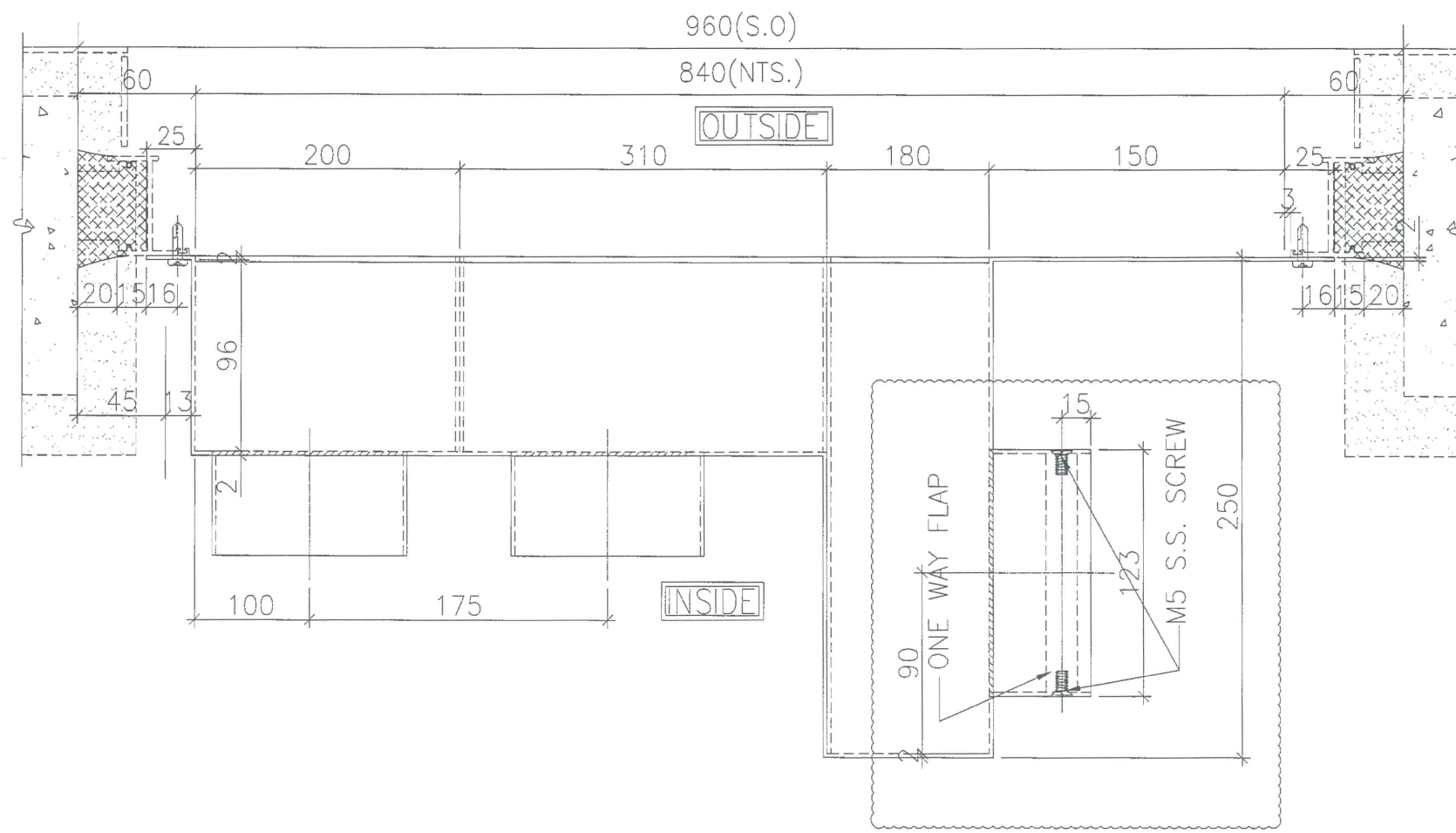
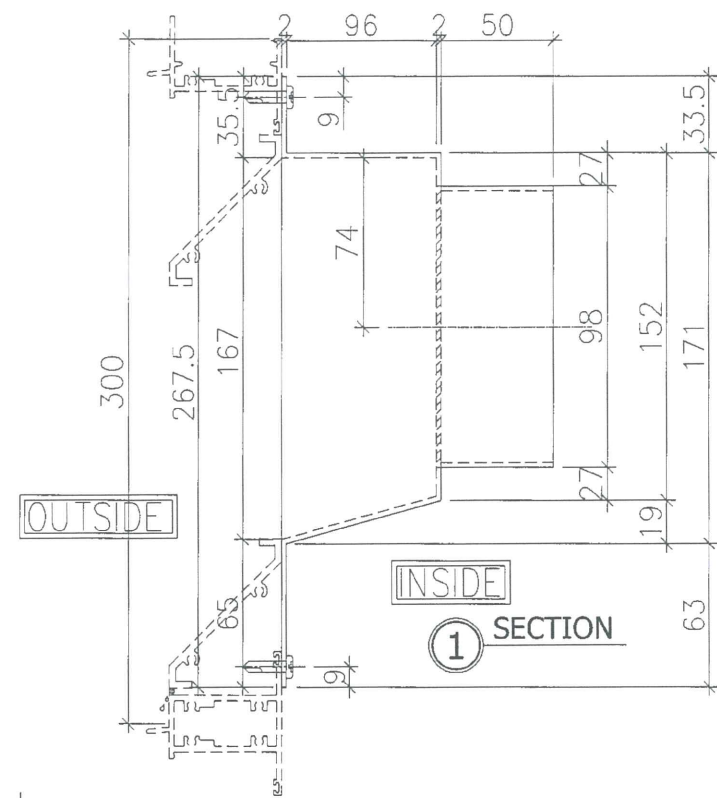
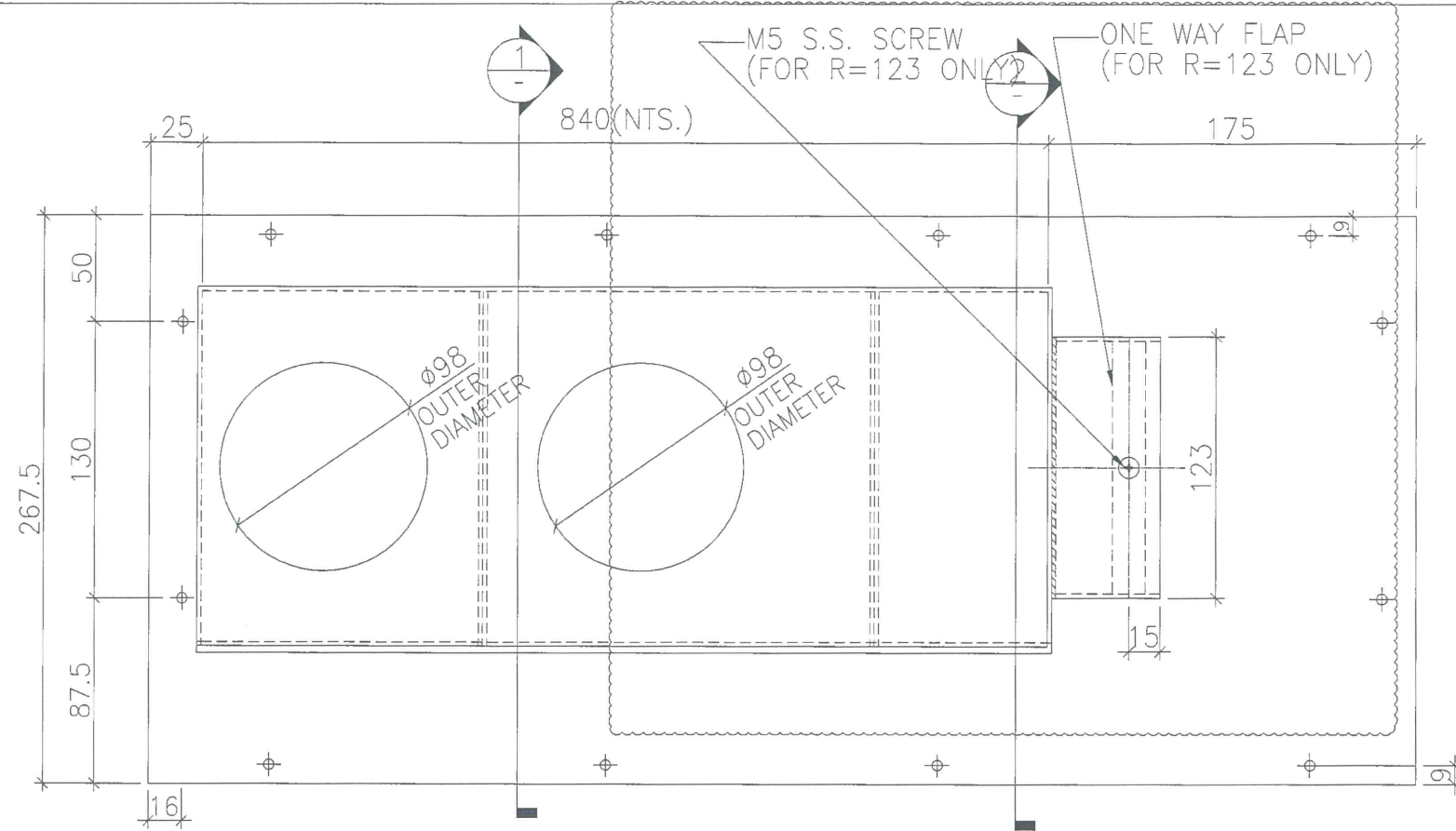
DRAWN BY : Zeng CHECKED BY : DW

BOX NO.	B	C	D	QTY.	LOCATION	WINDOW NO.
T2P/H-B	150	300	220	42	6F~53F	T2W/H-1

美特鋁質有限公司  
MIDI ALUMINIUM FABRICATOR LTD.  
Units 6-8, Sunray Industrial Centre, 1/F  
610 Cha Kwo Ling Road, Kowloon  
Tel: 23489211-4 Fax: (852) 2727666

DWG NO. : J837- PB-2114 REV. : B

6/6/19



不用做8A

BOX NO.	QTY.	LOCATION	WINDOW NO.
T1P/A-K	37	6F~5	T1W/A-1

B.D. REF :

CLIENT :  
信和置業有限公司  
Sino Land Company Limited

ARCHITECT :  
WONG TUNG & PARTNERS LIMITED  
ARCHITECTS & PLANNERS  
WT

MAIN CONTRACTOR :  
CR Construction Company Limited

STRUCTURAL ENGINEER :  
AECOM

FACADE CONSULTANT:

NOTE :  
1. ALL DIMENSIONS ARE IN mm.  
2. ALL ELEVATIONS ARE VIEWED FROM OUTSIDE.  
3. ALL DIMENSIONS TO BE VERIFIED ON SITE BEFORE FABRICATION.

LEGEND :  
X1 -- DETAIL MARK NO.  
X001 -- REFER SHEET NO.  
1. F.F.L -- FINISHED FLOOR LEVEL  
2. S.F.L -- STRUCTURAL FLOOR LEVEL  
3. (R) -- REVERSED DETAIL

NO.	DATE	REVISION	BY
B	2019/4/2	GENERAL REVISION	Zeng
A	2019/2/13	GENERAL REVISION	Zeng

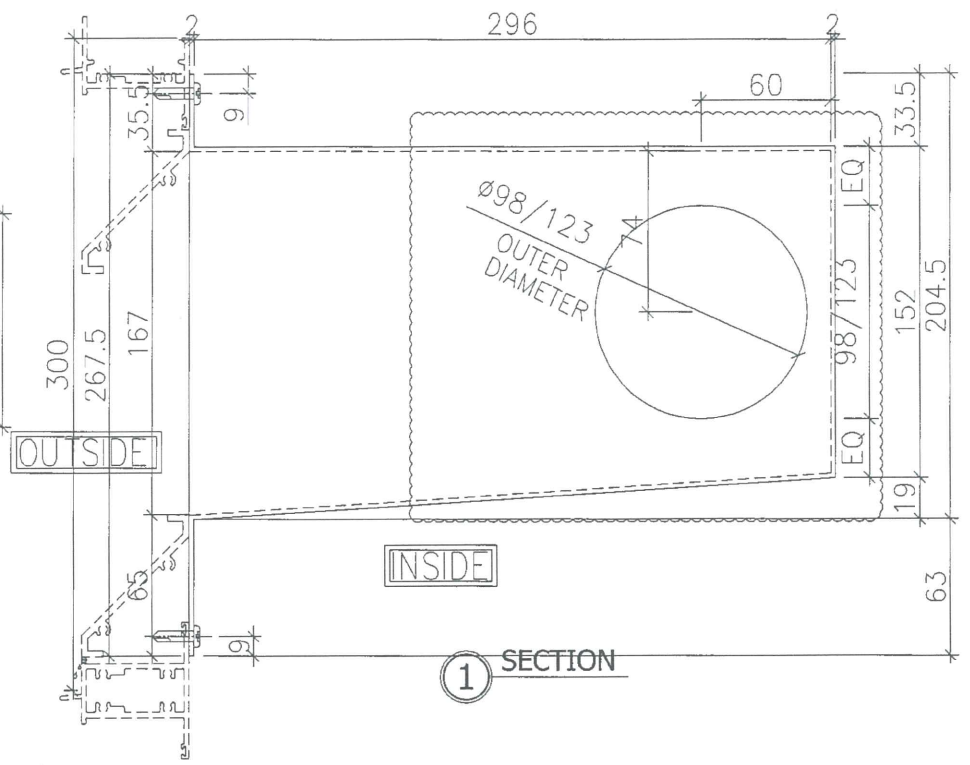
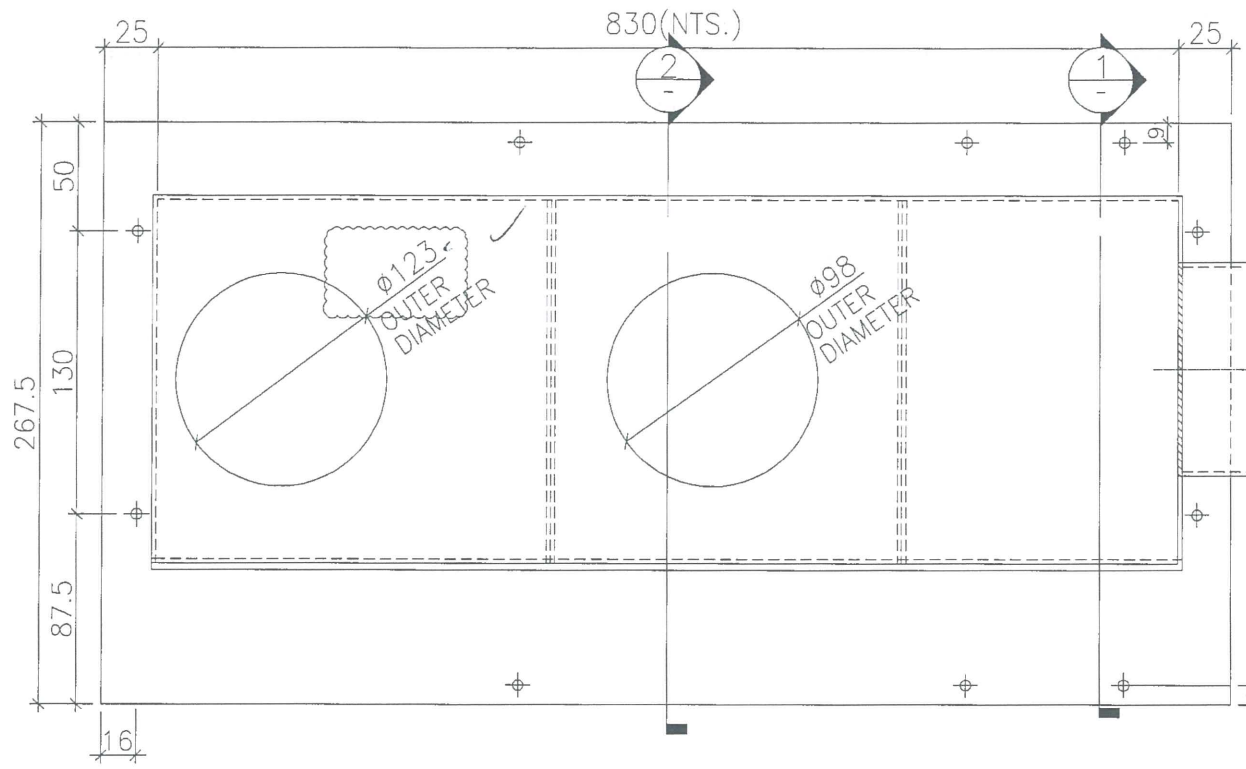
JOB NO. : J-837  
PROJECT :  
URA KWUN TONG TOWN CENTRE  
REDEVELOPMENT (AREA 2 & 3) AT  
NKIL 6514, KWUN TONG, KOWLOON

TITLE :  
TOWER AIR PLENUM BOX SCHEDULE  
(INSITU FOR KITCHEN)

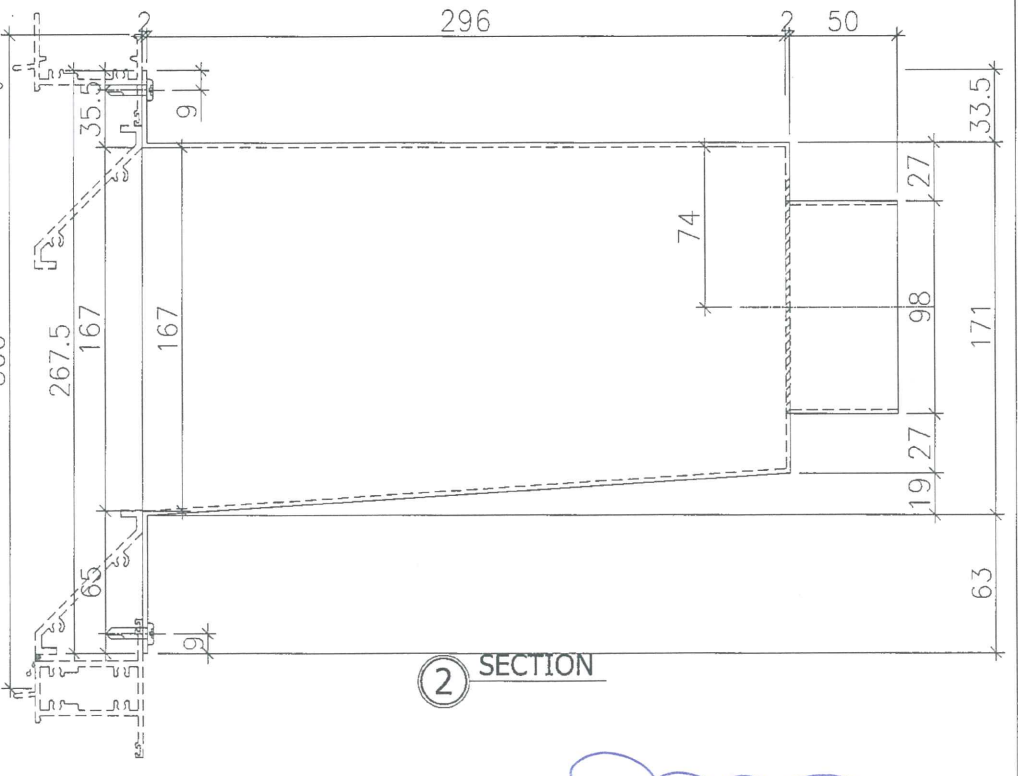
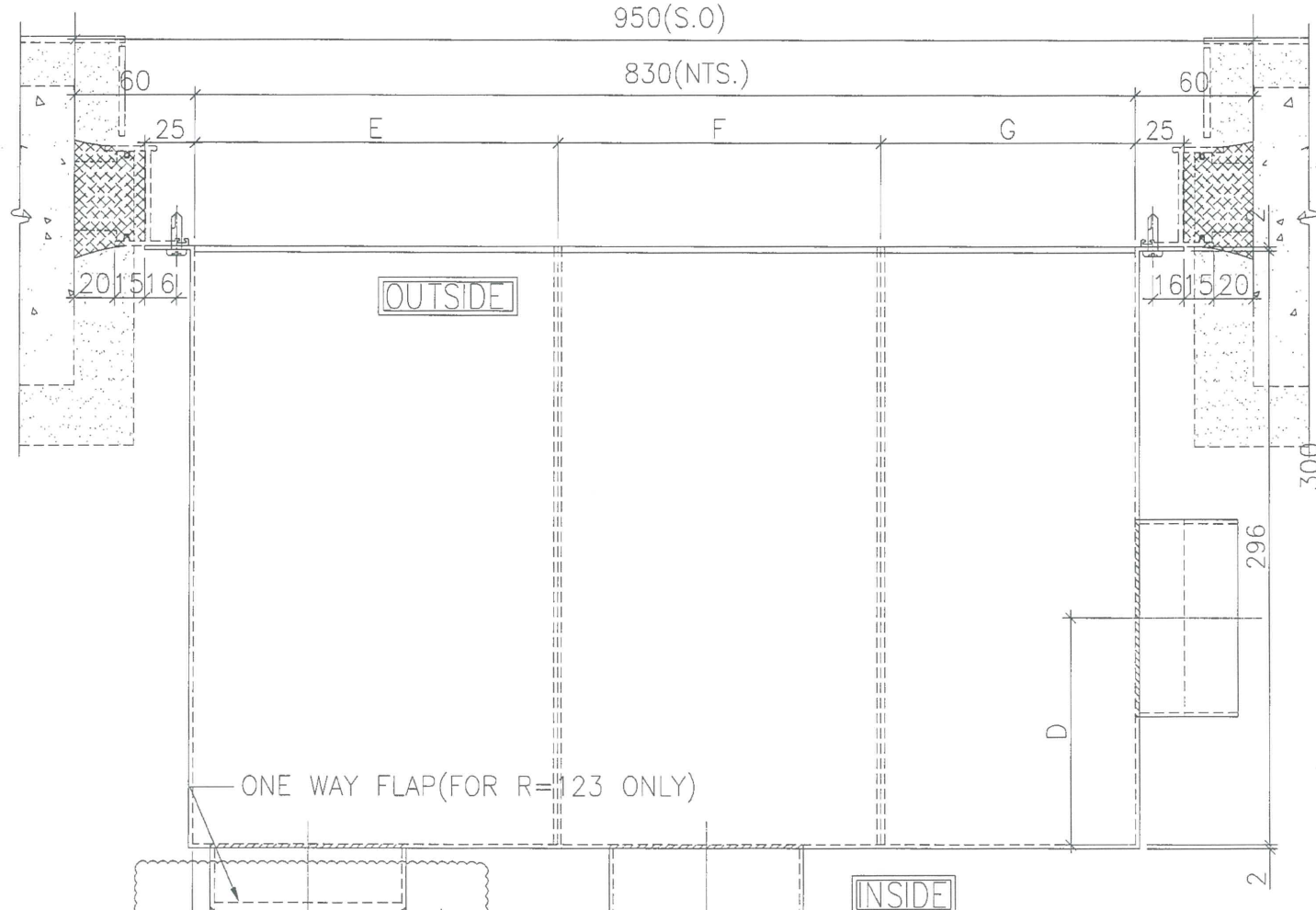
DATE : 04-JUL-18  
SCALE : 1:##  
DRAWN BY : Zeng  
CHECKED BY : DW

美特鋁質有限公司  
MIDI ALUMINIUM FABRICATOR LTD.  
Units 6-8, Sunray Industrial Centre, 1/F  
610 Cho Kwo Ling Road, Kowloon  
Tel:23489211-4 Fax:(852)2727666

DWG NO. : JB37- PB-2115  
REV. : B

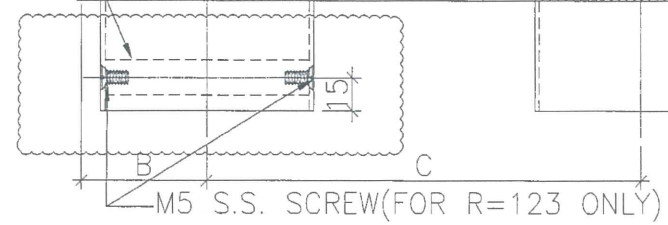


① SECTION



② SECTION

ONE WAY FLAP(FOR R=123 ONLY)



M5 S.S. SCREW(FOR R=123 ONLY)

不用做

BOX NO.	B	C	D	E	F	G	QTY.	LOCATION	WINDOW NO.
T2P/M-K	100	215	60	200	330	300	42	6F~55F	T2W/M-1

B.D. REF :

CLIENT : 信和置業有限公司 Sino Land Company Limited

ARCHITECT : WONG TUNG & PARTNERS LIMITED ARCHITECTS & PLANNERS

MAIN CONTRACTOR : CR Construction Company Limited

STRUCTURAL ENGINEER : AECOM

FACADE CONSULTANT :

NOTE :

- ALL DIMENSIONS ARE IN mm.
- ALL ELEVATIONS ARE VIEWED FROM OUTSIDE.
- ALL DIMENSIONS TO BE VERIFIED ON SITE BEFORE FABRICATION.

LEGEND :

- X1 - DETAIL MARK NO.
- X001 - REFER SHEET NO.
- 1. F.F.L. --- FINISHED FLOOR LEVEL
- 2. S.F.L. --- STRUCTURAL FLOOR LEVEL
- 3. (R) --- REVERSED DETAIL

NO.	DATE	REVISED	BY
B	2019/4/1	GENERAL REVISION	Zeng
A	2019/2/13	GENERAL REVISION	Zeng

JOB NO. : J-837

PROJECT : URA KWUN TONG TOWN CENTRE REDEVELOPMENT (AREA 2 & 3) AT NKIL 6514, KWUN TONG, KOWLOON

TITLE : TOWER AIR PLENUM BOX SCHEDULE (INSITU FOR KITCHEN)

DATE : 04-JUL-18 SCALE : 1:##

DRAWN BY : Zeng CHECKED BY : DW


美特鋁質有限公司 MIDI ALUMINIUM FABRICATOR LTD. Units 6-8, Sunray Industrial Centre, 1/F 610 Cha Kwo Ling Road, Kowloon Tel:23489211-4 Fax:(852)2727666

DWG NO. : J837-PB-2116 REV. : B

B.D. REF :

CLIENT :  
 信和置業有限公司  
 Sino Land Company Limited

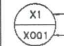

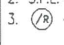
ARCHITECT :  
 WONG TUNG & PARTNERS LIMITED  
 ARCHITECTS & PLANNERS  


MAIN CONTRACTOR :  
 CR Construction Company Limited

STRUCTURAL ENGINEER :  


FACADE CONSULTANT:

NOTE :  
 1. ALL DIMENSIONS ARE IN mm.  
 2. ALL ELEVATIONS ARE VIEWED FROM OUTSIDE.  
 3. ALL DIMENSIONS TO BE VERIFIED ON SITE BEFORE FABRICATION.

LEGEND :  
 DETAIL MARK NO.  
 REFER SHEET NO.  
 1. F.F.L. --- FINISHED FLOOR LEVEL  
 2. S.F.L. --- STRUCTURAL FLOOR LEVEL  
 3.  --- REVERSED DETAIL

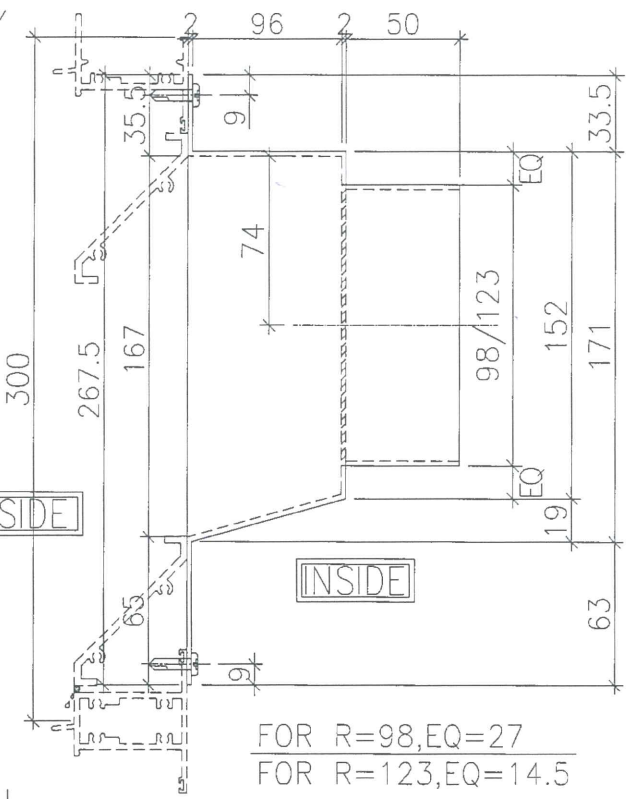
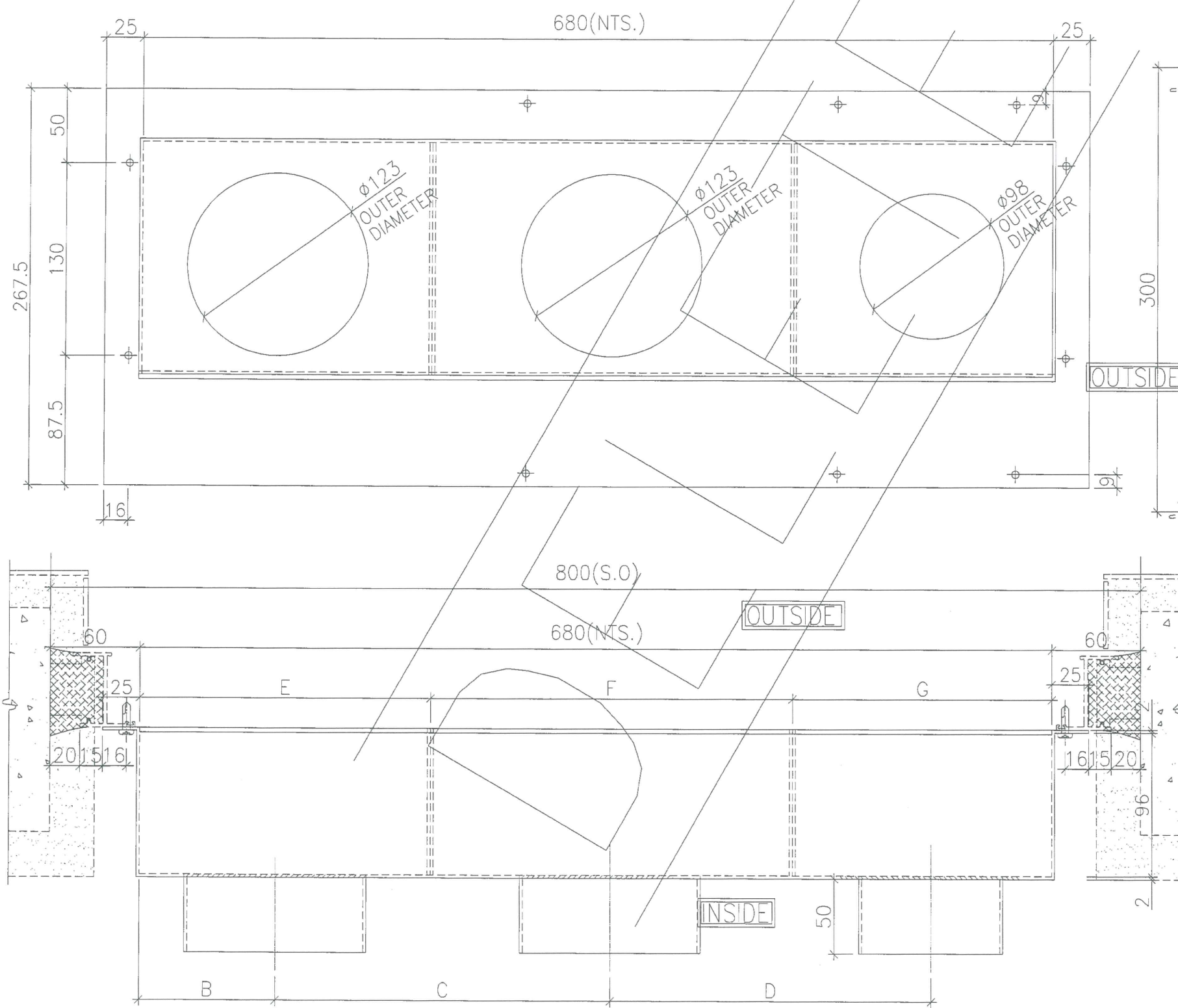
NO.	DATE	GENERAL REVISION	BY
A	2019/2/13	GENERAL REVISION	Zeng

JOB NO. : J-837  
 PROJECT :  
 URA KWUN TONG TOWN CENTRE  
 REDEVELOPMENT (AREA 2 & 3) AT  
 NKIL 6514, KWUN TONG, KOWLOON

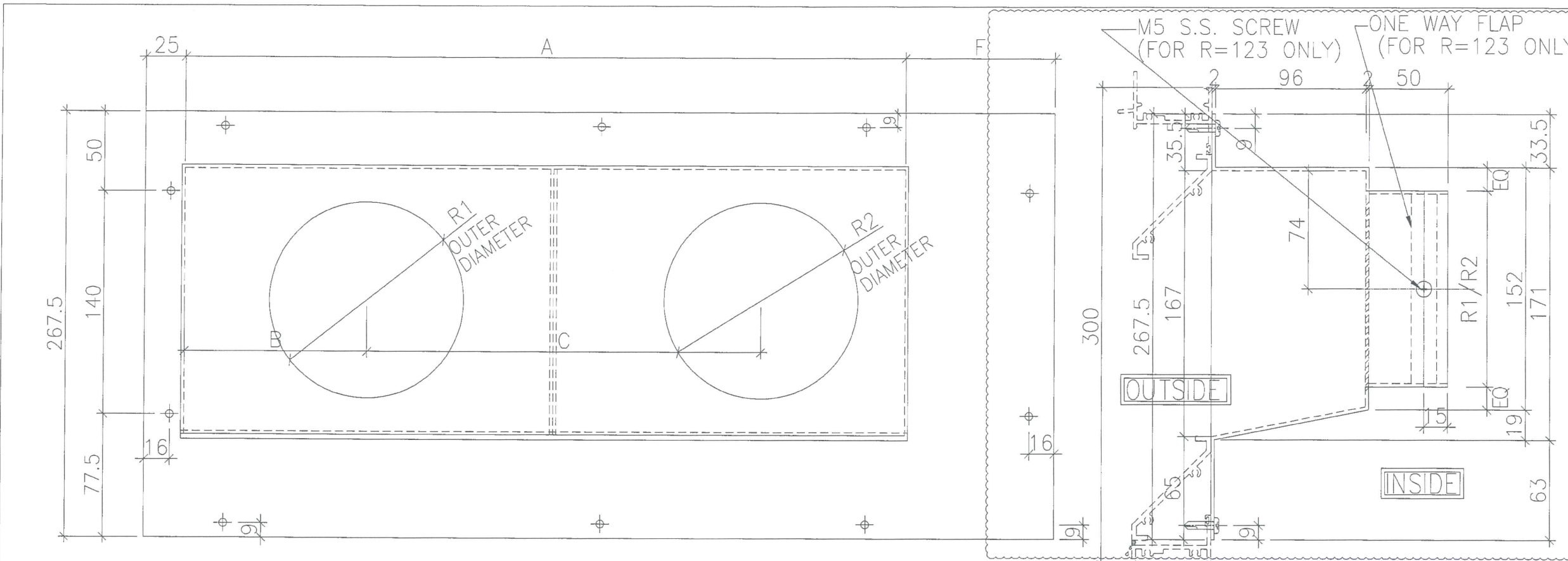
TITLE :  
 TOWER AIR PLENUM BOX SCHEDULE  
 (INSITU FOR BATHROOM)

DATE : 04-JUL-18 SCALE : 1:##  
 DRAWN BY : Zeng CHECKED BY : DW

 美特鋁質有限公司  
 MIDI ALUMINIUM FABRICATOR LTD.  
 Units 6-8, Sunray Industrial Centre, 1/F  
 610 Cho Kwo Ling Road, Kowloon  
 Tel:23489211-4 Fax:(852)2727666  
 DWG NO. : J837- PB-2117 REV. : A



BOX NO.	B	C	D	E	F	G	QTY.	LOCATION	WINDOW NO.
T5P/C-B	105	255	330	210	315	155	14	6F~21F	T5W/C-1



B.D. REF :

CLIENT :  
 信和置業有限公司  
 Sino Land Company Limited

ARCHITECT :  
 WONG TUNG & PARTNERS LIMITED  
 ARCHITECTS & PLANNERS

MAIN CONTRACTOR :  
 CR Construction Company Limited

STRUCTURAL ENGINEER :  
 AECOM

FACADE CONSULTANT :

FOR R=98,EQ=27  
 FOR R=123,EQ=14.5

NOTE :

- ALL DIMENSIONS ARE IN mm.
- ALL ELEVATIONS ARE VIEWED FROM OUTSIDE.
- ALL DIMENSIONS TO BE VERIFIED ON SITE BEFORE FABRICATION.

LEGEND :

(X1) DETAIL MARK NO.  
 (X001) REFER SHEET NO.

- F.F.L. --- FINISHED FLOOR LEVEL
- S.F.L. --- STRUCTURAL FLOOR LEVEL
- (R) --- REVERSED DETAIL

B	2019/4/2	GENERAL REVISION	Zeng
A	2019/3/12	GENERAL REVISION	Zeng
NO.	DATE	REVISED	BY

JOB NO. : J-837

PROJECT :  
 URA KWUN TONG TOWN CENTRE  
 REDEVELOPMENT (AREA 2 & 3) AT  
 NKIL 6514, KWUN TONG, KOWLOON

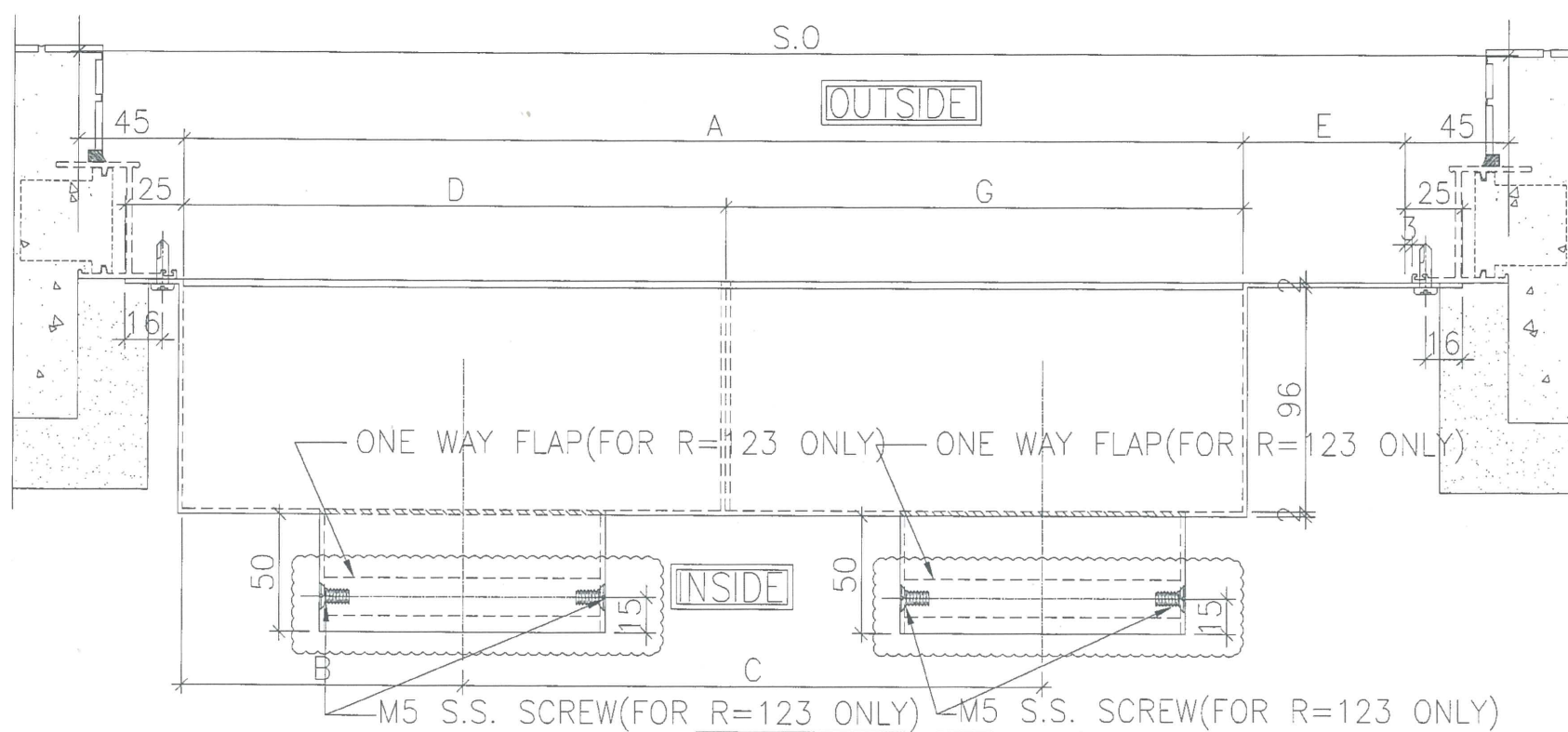
TITLE :  
 TOWER AIR PLENUM BOX SCHEDULE  
 (PRECAST FOR KITCHEN)

DATE : 04-JUL-18 SCALE : 1:##

DRAWN BY : Zeng CHECKED BY : DW

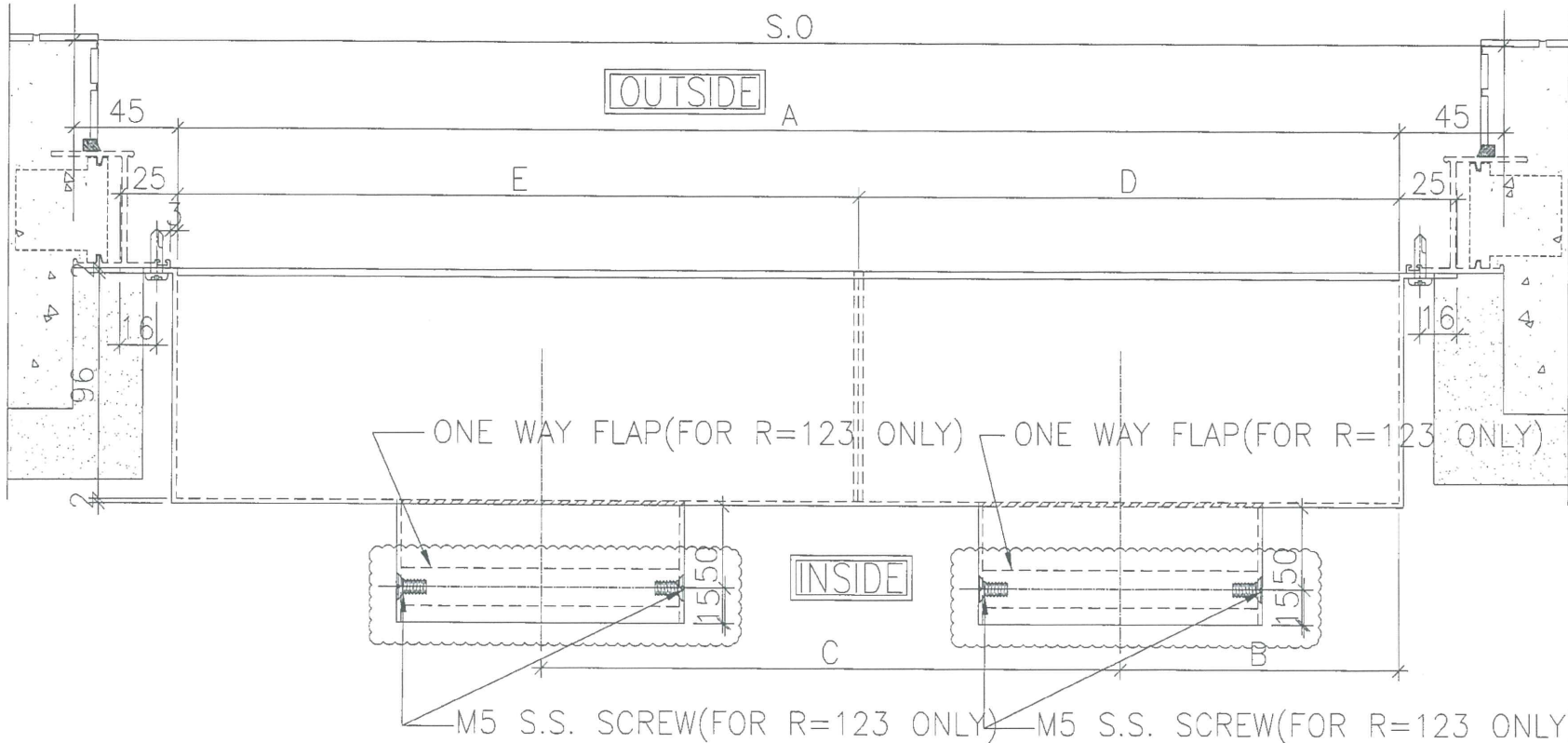
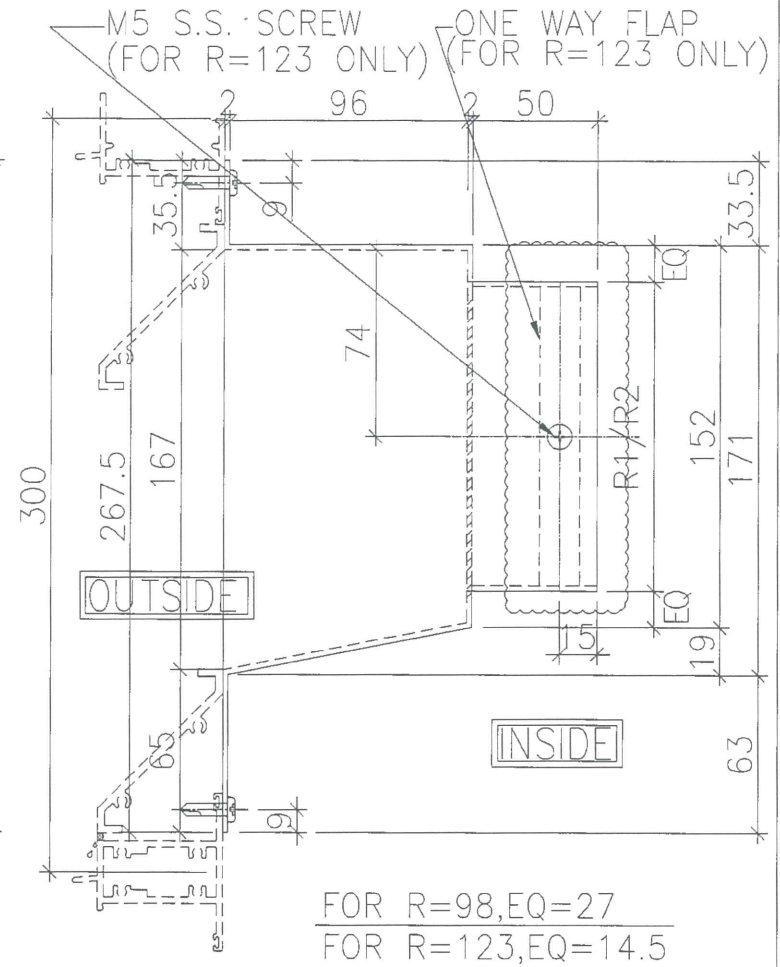
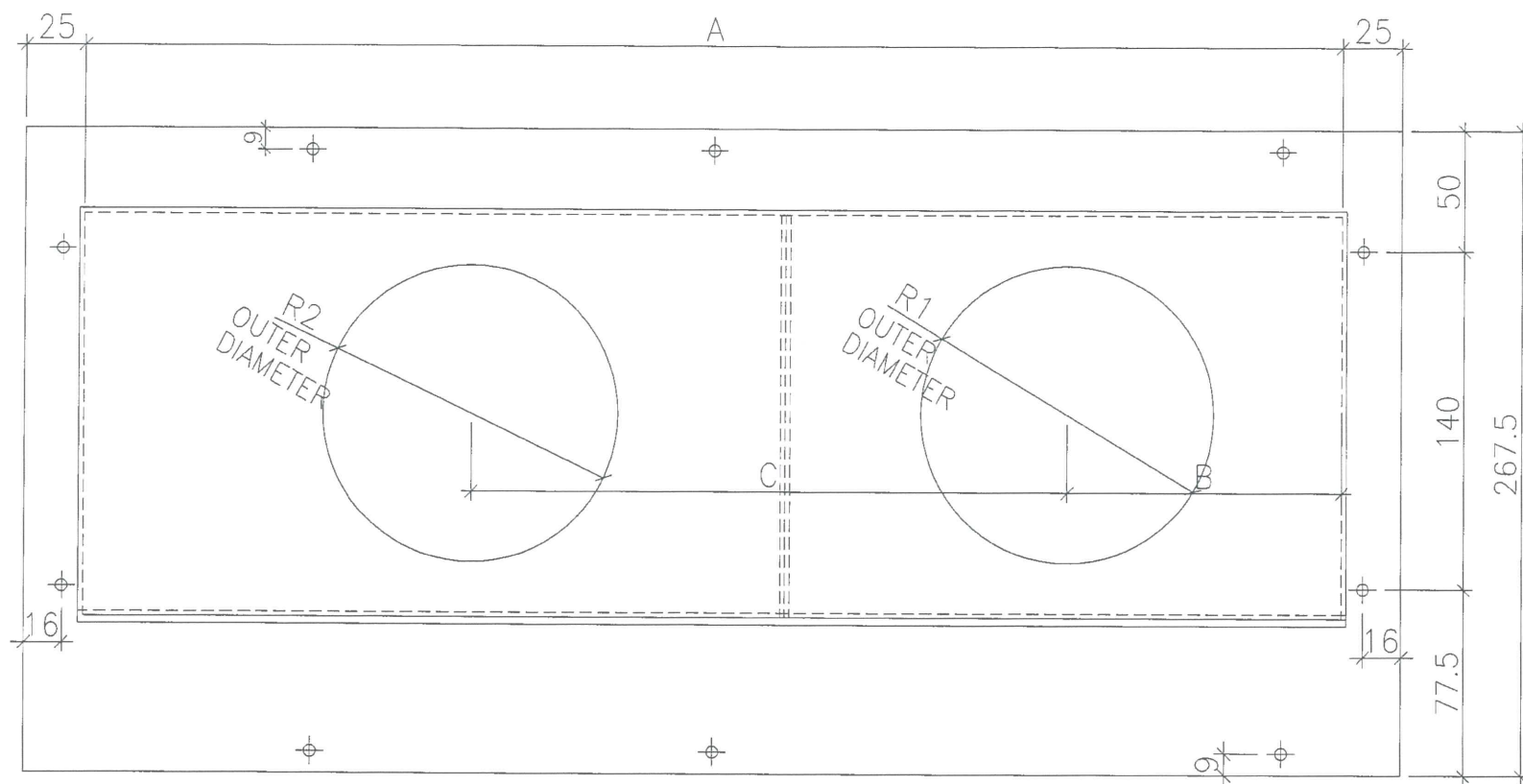
美特鋁質有限公司  
 MIDI ALUMINIUM FABRICATOR LTD.  
 Units 6-8, Sunray Industrial Centre, 1/F  
 610 Cha Kwo Ling Road, Kowloon  
 Tel:23489211-4 Fax:(852)2727666

DWG NO. : J837- PB-2118 REV. : B



不用做8件

BOX NO.	S.O	A	B	C	D	E	F	G	R1	R2	QTY.	LOCATION	WINDOW NO.
T2P/E-K	1050	630	190	315	380	330	355	250	98	123	42	6F~55F	T2W/E-1 ✓
T2P/F-K	700	560	100	255	200	50	75	360	123	98	42	6F~55F	T2W/F-2 ✓
T3P/F-K	700	530	170	300	250	80	105	280	123	98	39	6F~51F	T3W/F-1 ✓
T3P/B-K	950	610	125	210	250	250	275	360	123	98	40	6F~52F	T3W/B-3 ✓
T5P/G-K	900	530	115	290	230	280	305	300	123	98	38	6F~50F	T5W/G-1 ✓
T1P/B-K	1000	610	125	305	250	300	325	360	123	98	38	6F~50F	T1W/B-1 ✓



不用做8A

BOX NO.	S.O	A	B	C	D	E	R1	R2	QTY.	LOCATION	WINDOW NO.
T1P/E-K	650	560	265	185	340	220	98	123	38	6F~50F	T1W/E-2 ✓
T3P/A-K	950	860	125	210	250	610	123	98	48	6F~52F	T3W/A-1 ✓

B.D. REF :

CLIENT : 信和置業有限公司 Sino Land Company Limited

ARCHITECT : WONG TUNG & PARTNERS LIMITED ARCHITECTS & PLANNERS

MAIN CONTRACTOR : CR Construction Company Limited

STRUCTURAL ENGINEER : AECOM

FACADE CONSULTANT :

NOTE :

- ALL DIMENSIONS ARE IN mm.
- ALL ELEVATIONS ARE VIEWED FROM OUTSIDE.
- ALL DIMENSIONS TO BE VERIFIED ON SITE BEFORE FABRICATION.

LEGEND :

- X1 - DETAIL MARK NO.
- X001 - REFER SHEET NO.
- 1. F.F.L. -- FINISHED FLOOR LEVEL
- 2. S.F.L. -- STRUCTURAL FLOOR LEVEL
- 3. (R) -- REVERSED DETAIL

A	2019/4/2	GENERAL REVISION	Zeng
NO.	DATE	REVISED	BY

JOB NO. : J-837

PROJECT : URA KWUN TONG TOWN CENTRE REDEVELOPMENT (AREA 2 & 3) AT NKIL 6514, KWUN TONG, KOWLOON

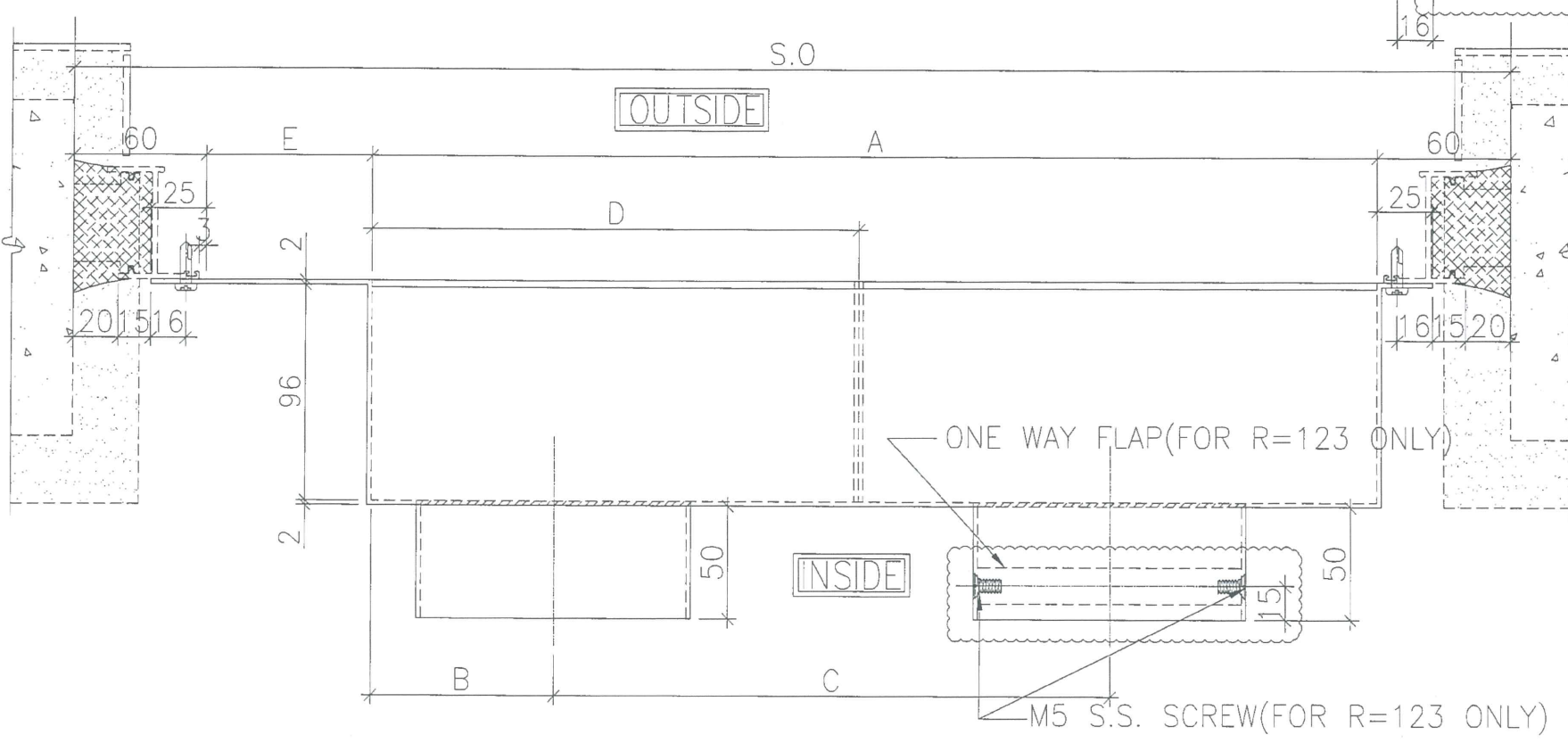
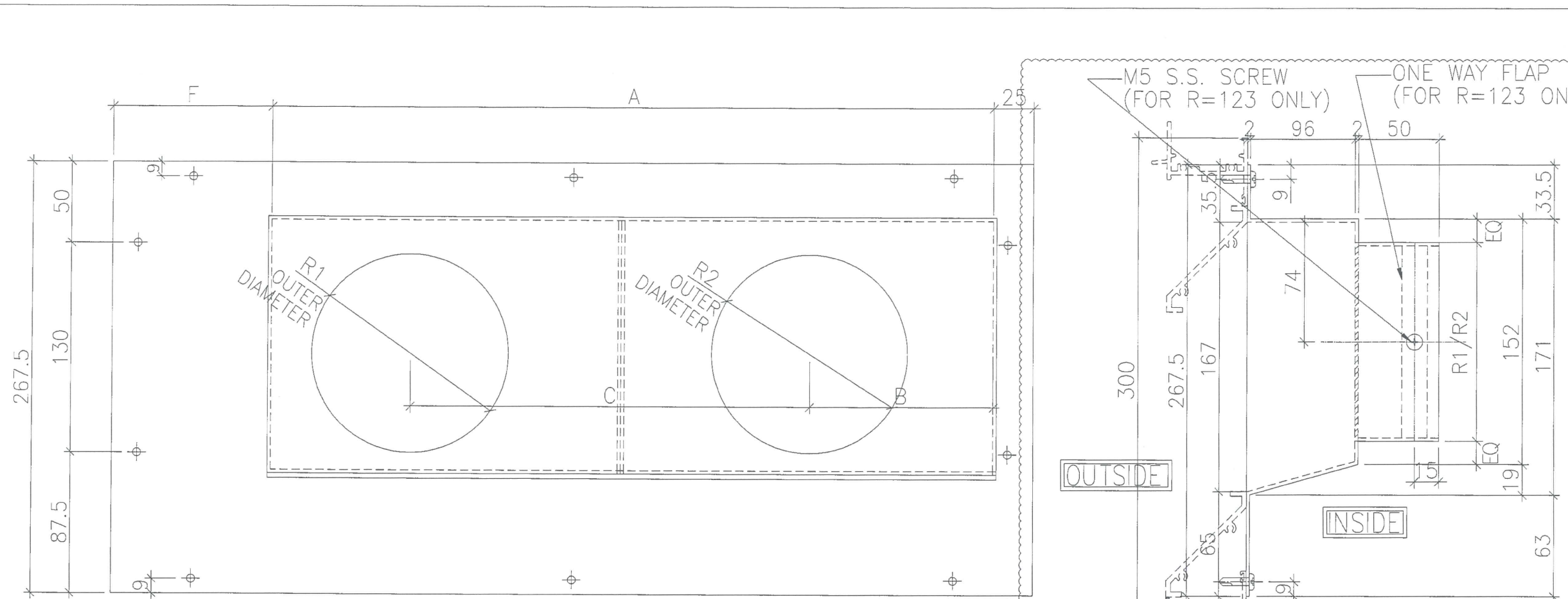
TITLE : TOWER AIR PLENUM BOX SCHEDULE (PRECAST FOR KITCHEN)

DATE : 04-JUL-18 SCALE : 1:##

DRAWN BY : Zeng CHECKED BY : DW

美特鋁質有限公司 MIDI ALUMINIUM FABRICATOR LTD. Units 6-8, Sunray Industrial Centre, 1/F 610 Cha Kwo Ling Road, Kowloon Tel:23489211-4 Fax:(852)27727666

DWG NO. : J837- PB-2119 REV. : A



FOR R=98, EQ=27  
FOR R=123, EQ=14.5

不用做8F.

B.D. REF :

CLIENT : 信和置業有限公司  
Sino Land Company Limited

ARCHITECT : WONG TUNG & PARTNERS LIMITED  
ARCHITECTS & PLANNERS  
WT

MAIN CONTRACTOR : CR Construction Company Limited

STRUCTURAL ENGINEER : AECOM

FACADE CONSULTANT :

- NOTE :
- ALL DIMENSIONS ARE IN mm.
  - ALL ELEVATIONS ARE VIEWED FROM OUTSIDE.
  - ALL DIMENSIONS TO BE VERIFIED ON SITE BEFORE FABRICATION.
- LEGEND :
- X1 - DETAIL MARK NO.
  - X001 - REFER SHEET NO.
  - 1. F.F.L. -- FINISHED FLOOR LEVEL
  - 2. S.F.L. -- STRUCTURAL FLOOR LEVEL
  - 3. (R) -- REVERSED DETAIL

A	2018/4/2	GENERAL REVISION	Zeng
NO.	DATE	REVISED	BY

JOB NO. : J-837

PROJECT : URA KWUN TONG TOWN CENTRE  
REDEVELOPMENT (AREA 2 & 3) AT  
NKIL 6514, KWUN TONG, KOWLOON

TITLE : TOWER AIR PLENUM BOX SCHEDULE  
(INSITU FOR KITCHEN)

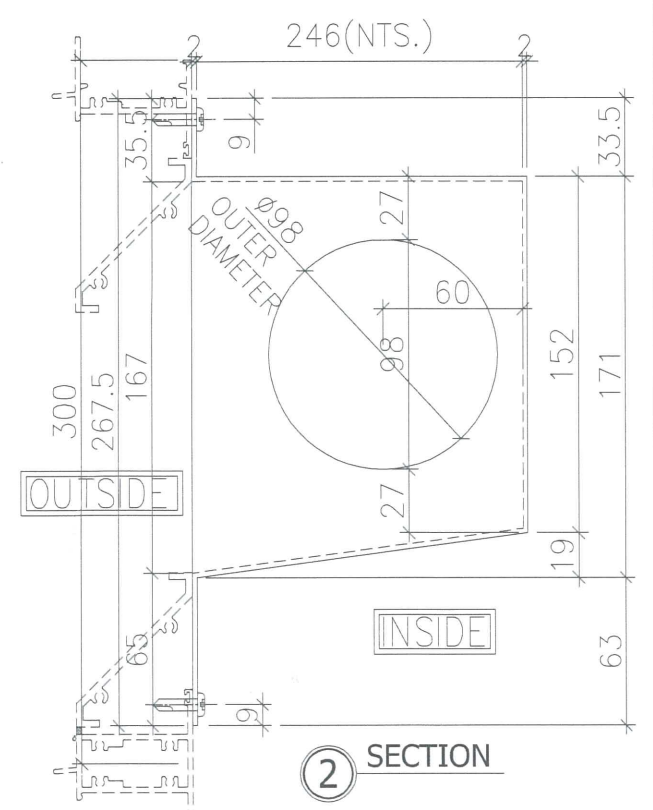
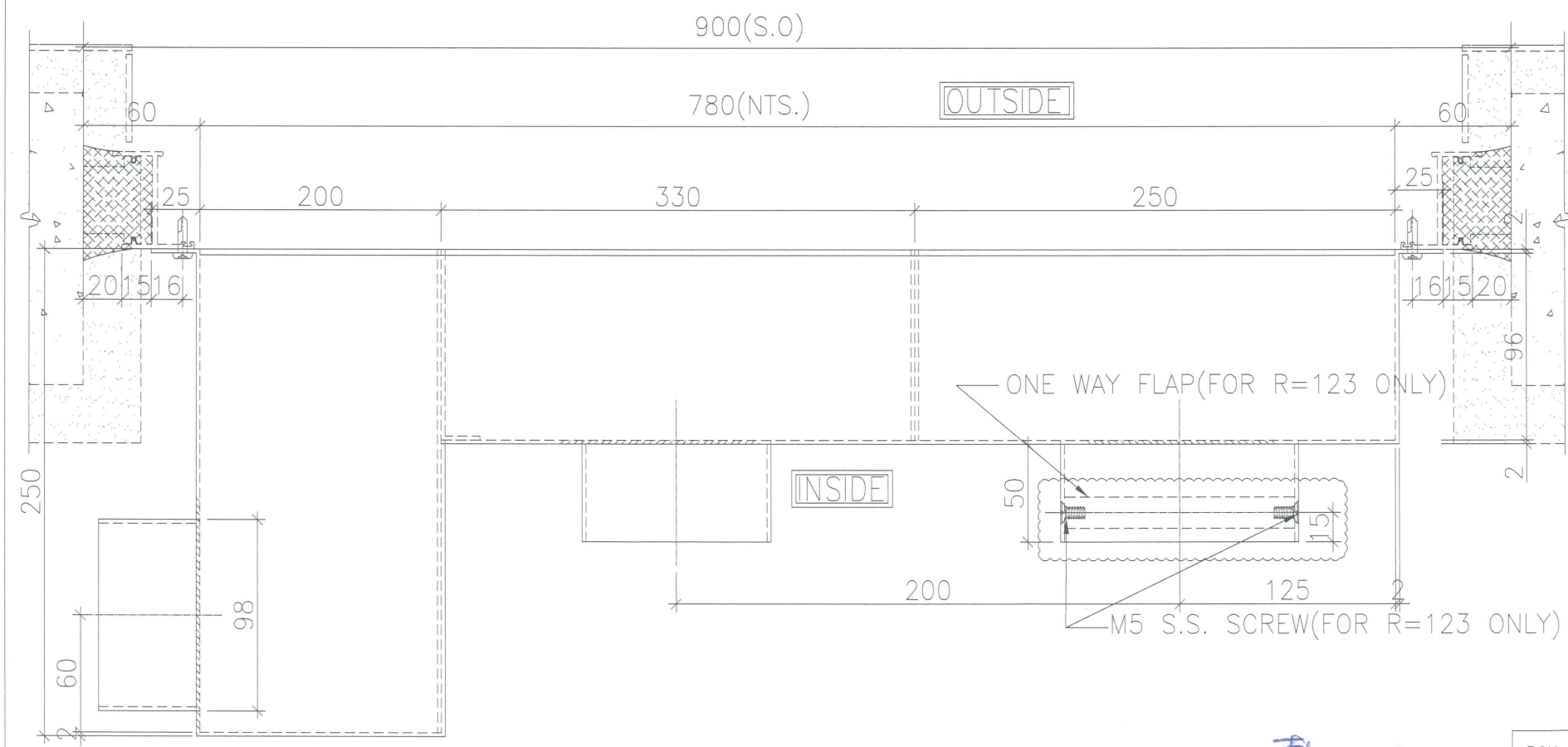
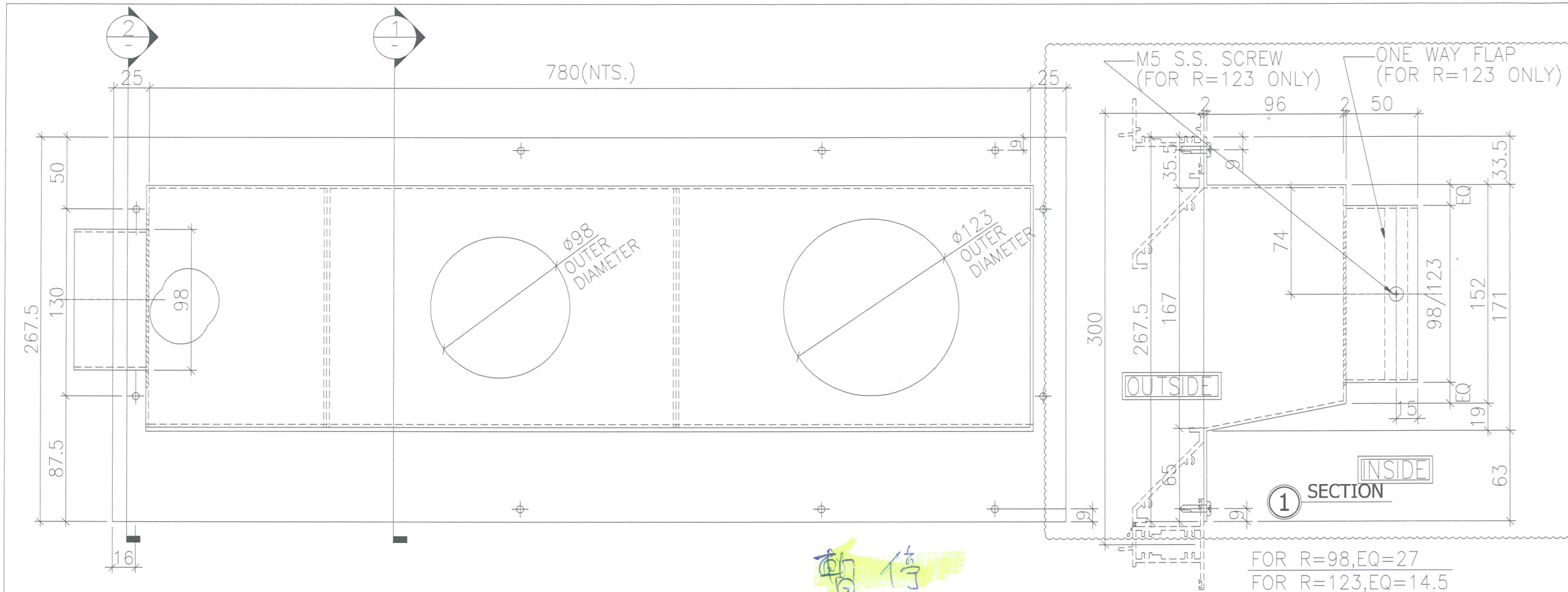
DATE : 04-JUL-18 SCALE : 1:##

DRAWN BY : Zeng CHECKED BY : DW

英特鋁質有限公司  
MIDI ALUMINIUM FABRICATOR LTD.  
Units 6-8, Sunray Industrial Centre, 1/F  
610 Cha Kwo Ling Road, Kowloon  
Tel: 23489211-4 Fax: (852) 2727666

BOX NO.	S.O	A	B	C	D	E	F	R1	R2	QTY.	LOCATION	WINDOW NO.
T5P/A-K	1190	760	180	380	360	320	345	98	123	338	6F~50F	T5W/A-1

DWG NO. : J837- PB-2120 REV. : A



BOX NO.	D	E	F	G	QTY.	LOCATION	WINDOW NO.
T5P/C-K	105	255	280	145	25	22F~50F	T5W/C-2

B.D. REF :

CLIENT : 信和置業有限公司  
Sino Land Company Limited

ARCHITECT : WONG TUNG & PARTNERS LIMITED  
ARCHITECTS & PLANNERS

MAIN CONTRACTOR : CR Construction Company Limited

STRUCTURAL ENGINEER : AECOM

FACADE CONSULTANT :

NOTE :

- ALL DIMENSIONS ARE IN mm.
- ALL ELEVATIONS ARE VIEWED FROM OUTSIDE.
- ALL DIMENSIONS TO BE VERIFIED ON SITE BEFORE FABRICATION.

LEGEND :

X1 --- DETAIL MARK NO.  
X001 --- REFER SHEET NO.

- F.F.L. --- FINISHED FLOOR LEVEL
- S.F.L. --- STRUCTURAL FLOOR LEVEL
- ⊗ --- REVERSED DETAIL

NO.	DATE	REVISED	BY
B	2019/6/10	GENERAL REVISION	Zeng
A	2019/4/2	GENERAL REVISION	Zeng

JOB NO. : J-837

PROJECT : URA KWUN TONG TOWN CENTRE REDEVELOPMENT (AREA 2 & 3) AT NKIL 6514, KWUN TONG, KOWLOON

TITLE : Precast TOWER AIR PLENUM BOX SCHEDULE (INSITU FOR BATHROOM)

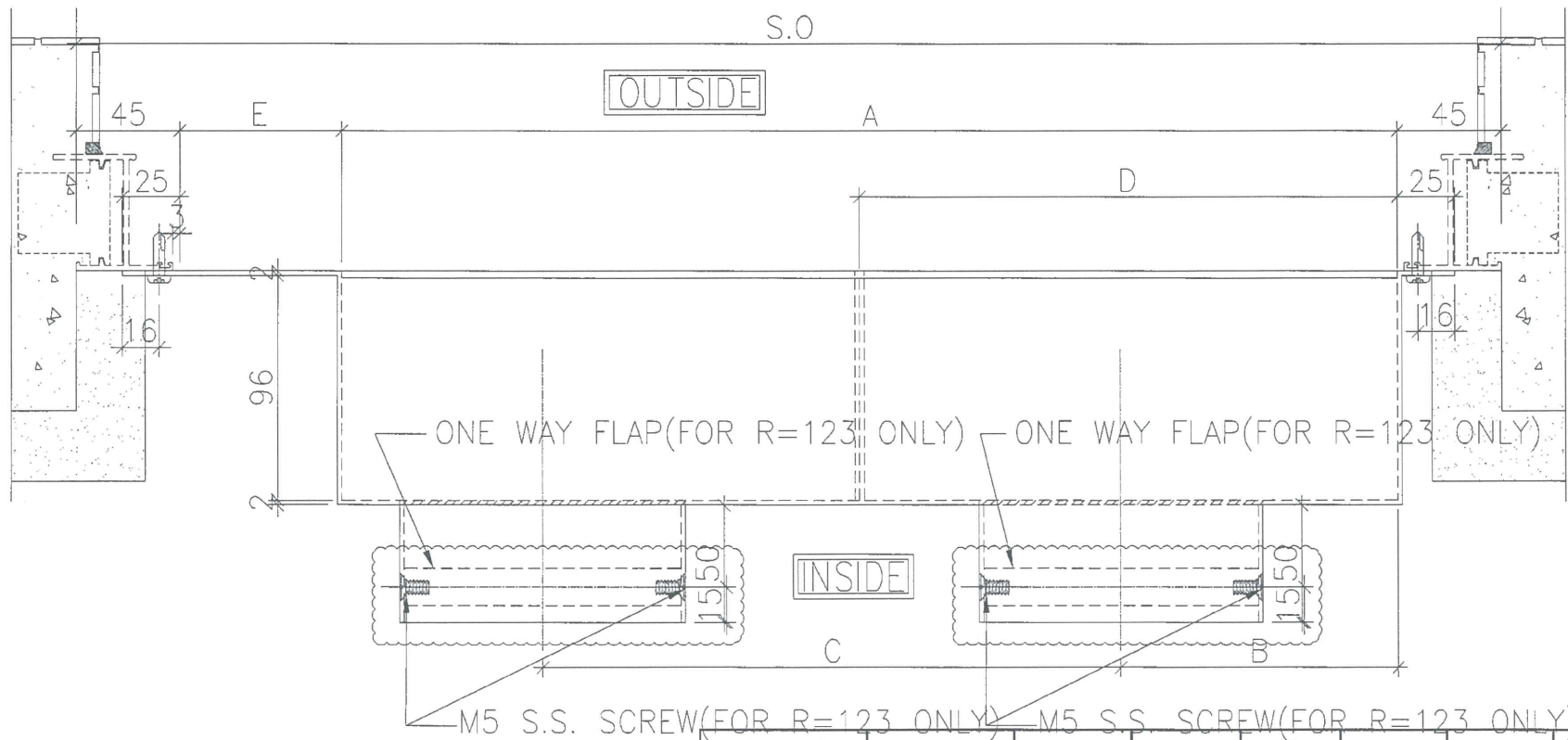
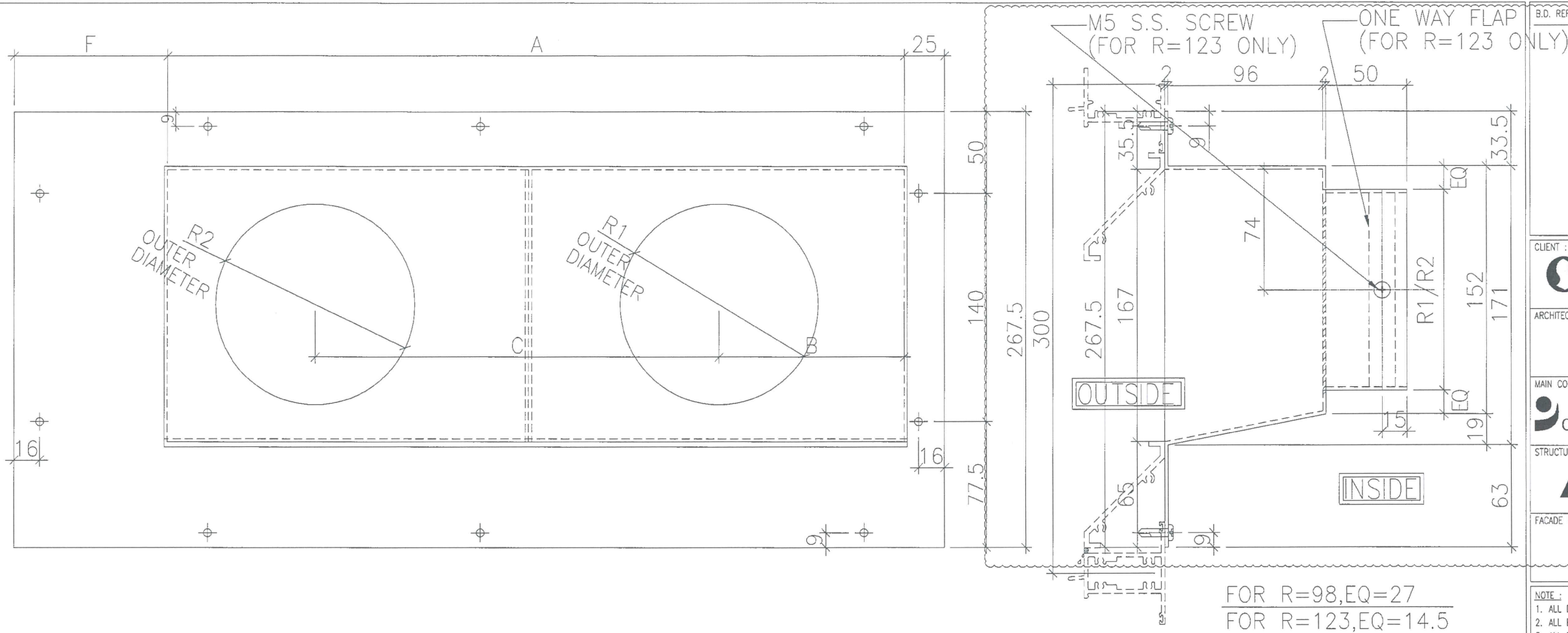
DATE : 04-JUL-18 SCALE : 1:##

DRAWN BY : Zeng CHECKED BY : DW

英特鋁質有限公司  
MIDI ALUMINIUM FABRICATOR LTD.  
Units 6-8, Sunray Industrial Centre, 1/F  
610 Cha Kwo Ling Road, Kowloon  
Tel: 23489211-4 Fax: (852) 27727666

DWG NO. : JB37- PB-2121 REV. : B

10/6/19



BOX NO.	S.O	A	B	C	D	E	R1	R2	QTY.	LOCATION	WINDOW NO.
T5P/N-K	700	510	100	225	200	100	123	98	38	6F~50F	T5W/N-3 ✓
T1P/F-K	700	510	260	160	330	100	98	123	38	6F~50F	T1W/F-1 ✓
T3P/L-K	900	640	125	200	250	170	123	98	40	6F~52F	T3W/L-1 ✓

B.D. REF :

CLIENT : 信和置業有限公司 Sino Land Company Limited

ARCHITECT : WONG TUNG & PARTNERS LIMITED ARCHITECTS & PLANNERS

MAIN CONTRACTOR : CR Construction Company Limited

STRUCTURAL ENGINEER : AECOM

FACADE CONSULTANT :

- NOTE :
- ALL DIMENSIONS ARE IN mm.
  - ALL ELEVATIONS ARE VIEWED FROM OUTSIDE.
  - ALL DIMENSIONS TO BE VERIFIED ON SITE BEFORE FABRICATION.
- LEGEND :
- (X1) --- DETAIL MARK NO.
  - (X001) --- REFER SHEET NO.
  - 1. F.F.L. --- FINISHED FLOOR LEVEL
  - 2. S.F.L. --- STRUCTURAL FLOOR LEVEL
  - 3. (R) --- REVERSED DETAIL

NO.	DATE	REVISED	BY
B	2019/4/2	GENERAL REVISION	Zeng
A	2019/3/4	GENERAL REVISION	Zeng

JOB NO. : J-837

PROJECT : URA KWUN TONG TOWN CENTRE REDEVELOPMENT (AREA 2 & 3) AT NKIL 6514, KWUN TONG, KOWLOON

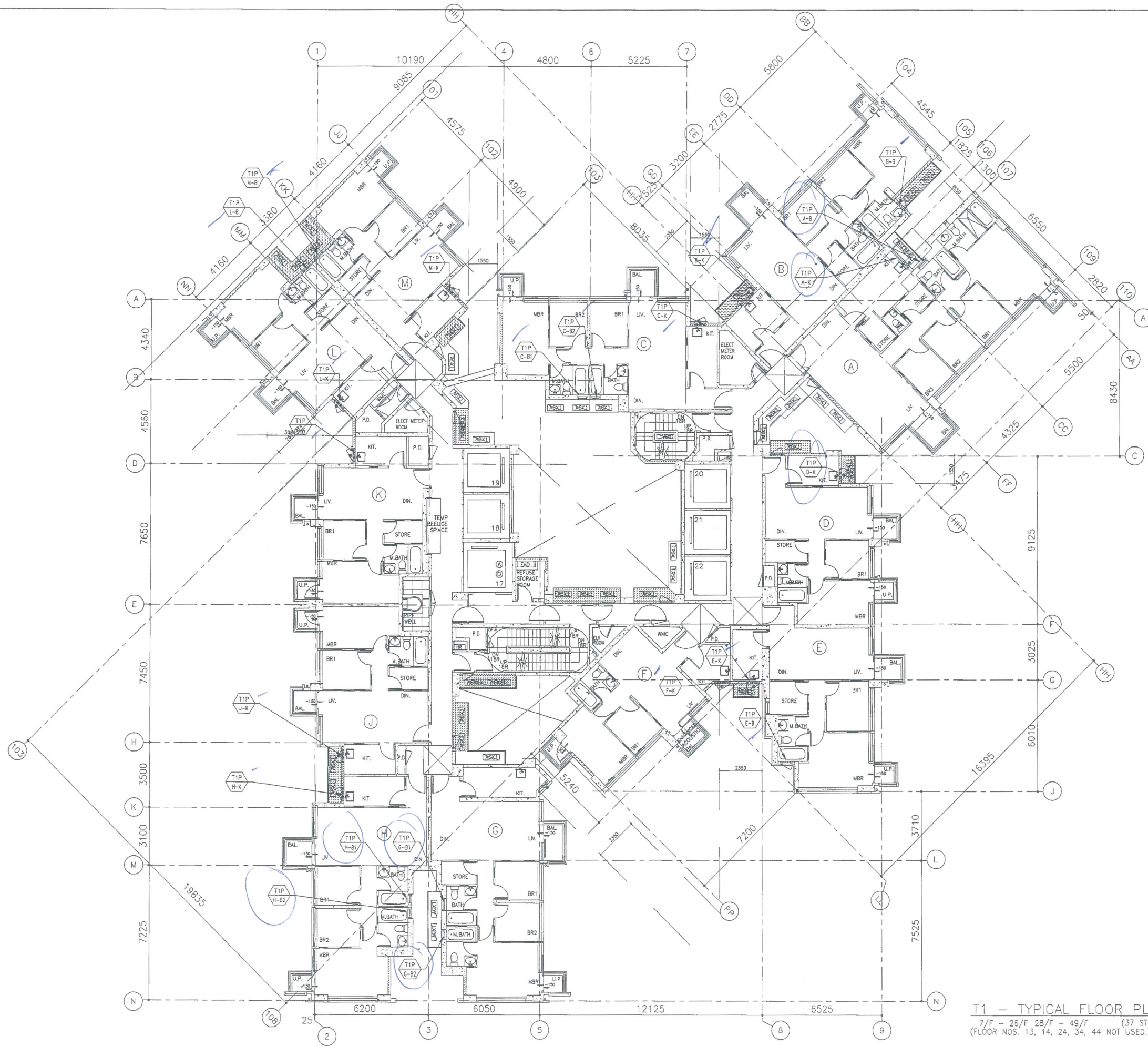
TITLE : TOWER AIR PLENUM BOX SCHEDULE (PRECAST FOR KITCHEN)

DATE : 04-JUL-18 SCALE : 1:##

DRAWN BY : Zeng CHECKED BY : DW

MIDI ALUMINIUM FABRICATOR LTD. 610 Cha Kwo Ling Road, Kowloon Tel:23489211-4 Fax:(852)2772666


DWG NO. : J837-PB-2122 REV. : B




**T1 - TYPICAL FLOOR PLAN**  
 7/F - 25/F 28/F - 49/F (37 STOREYS)  
 (FLOOR NOS. 13, 14, 24, 34, 44 NOT USED.)

B.D. REF :


---

CLIENT :  
 信和置業有限公司  
 Sino Land Company Limited


---

ARCHITECT :  
 WONG TUNG & PARTNERS LIMITED  
 ARCHITECTS & PLANNERS

---

MAIN CONTRACTOR :  
 CR Construction Company Limited

---



STRUCTURAL ENGINEER :  
 AECOM

---

FAÇADE CONSULTANT :

---

NOTE :  
 1. ALL DIMENSIONS ARE IN mm.  
 2. ALL ELEVATIONS ARE VIEWED FROM OUTSIDE.  
 3. ALL DIMENSIONS TO BE VERIFIED ON SITE BEFORE FABRICATION.

LEGEND :  
 X1 --- DETAIL MARK NO.  
 X001 --- REFER SHEET NO.  
 1. F.F.L. --- FINISHED FLOOR LEVEL  
 2. S.F.L. --- STRUCTURAL FLOOR LEVEL  
 3. (R) --- REVERSED DETAIL

---

NO.	DATE	REVISED	BY

---

JOB NO. : J-837

PROJECT :  
 URA KWUN TONG TOWN CENTRE  
 REDEVELOPMENT (AREA 2 & 3) AT  
 NKIL 6514, KWUN TONG, KOWLOON

---


TITLE :  
 FULL PLAN LAYOUT  
 (FOR T1 TYPICAL FLOOR PLAN)

---

DATE : 04-JUL-18      SCALE : 1:200

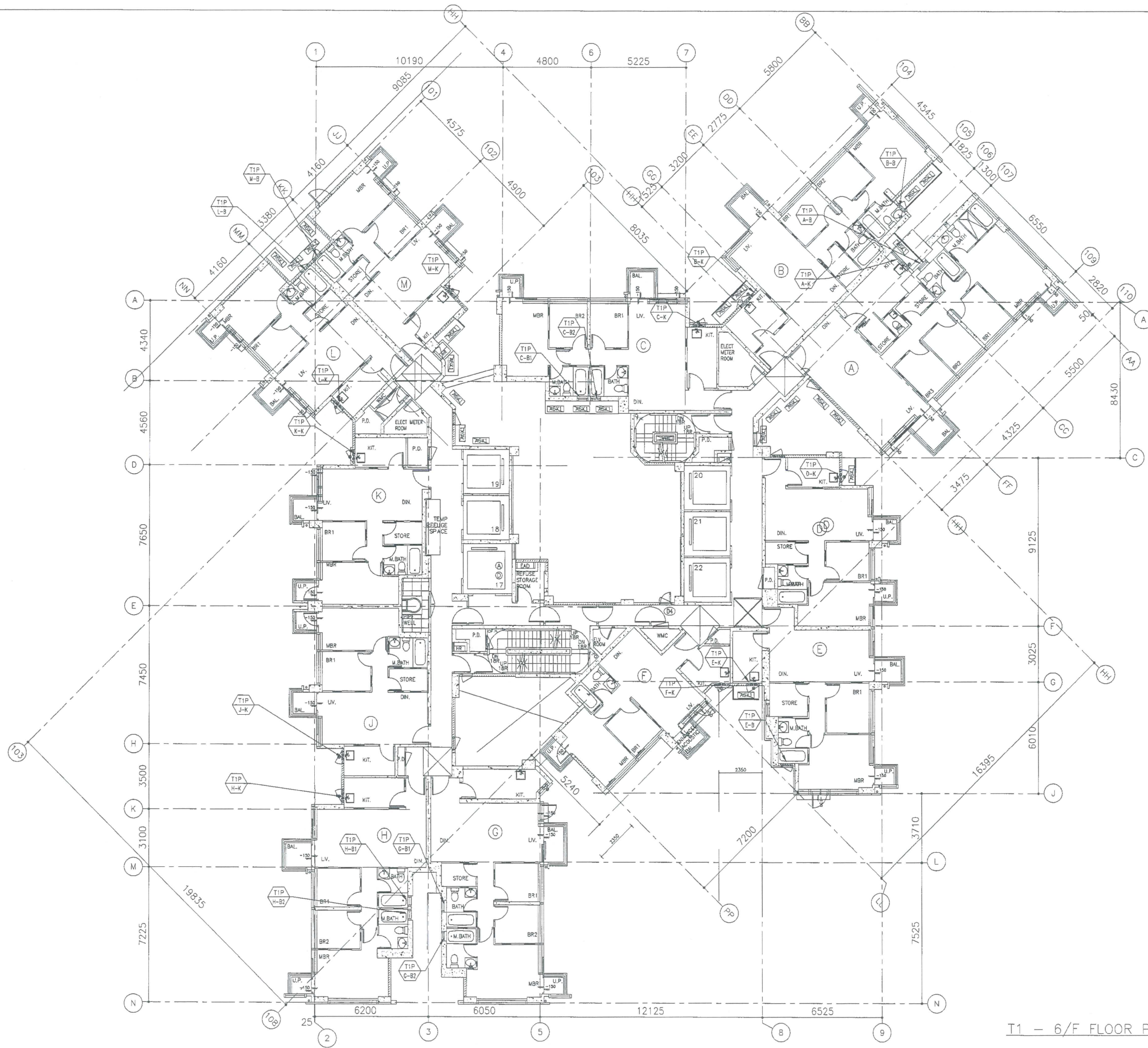
DRAWN BY : Zeng      CHECKED BY : DW

---

 英特鋁質有限公司  
 MIDI ALUMINIUM FABRICATOR LTD.  
 Units 6-8, Sunray Industrial Centre, 1/F  
 610 Cha Kwo Ling Road, Kowloon  
 Tel:23489211-4 Fax:(852)2727666

---


DWG NO. : J837-PB-3102      REV. : -




T1 - 6/F FLOOR PLAN

B.D. REF :


---

CLIENT :  
 信和置業有限公司  
 Sino Land Company Limited


---

ARCHITECT :  
 WONG TUNG & PARTNERS LIMITED  
 ARCHITECTS & PLANNERS

---

MAIN CONTRACTOR :  
 CR Construction Company Limited

---



STRUCTURAL ENGINEER :  
 AECOM

---

FAÇADE CONSULTANT :

---

NOTE :  
 1. ALL DIMENSIONS ARE IN mm.  
 2. ALL ELEVATIONS ARE VIEWED FROM OUTSIDE.  
 3. ALL DIMENSIONS TO BE VERIFIED ON SITE BEFORE FABRICATION.

LEGEND :  
 X1 — DETAIL MARK NO.  
 1001 — REFER SHEET NO.

1. F.F.L. — FINISHED FLOOR LEVEL  
 2. S.F.L. — STRUCTURAL FLOOR LEVEL  
 3. (R) — REVERSED DETAIL

---

NO.	DATE	REVISED	BY

---

JOB NO. : J-837

PROJECT :  
 URA KWUN TONG TOWN CENTRE  
 REDEVELOPMENT (AREA 2 & 3) AT  
 NKIL 6514, KWUN TONG, KOWLOON

---


TITLE :  
 FULL PLAN LAYOUT  
 (FOR T1 6/F FLOOR PLAN)

---

DATE : 04-JUL-18      SCALE : 1:200

DRAWN BY : Zeng      CHECKED BY : DW

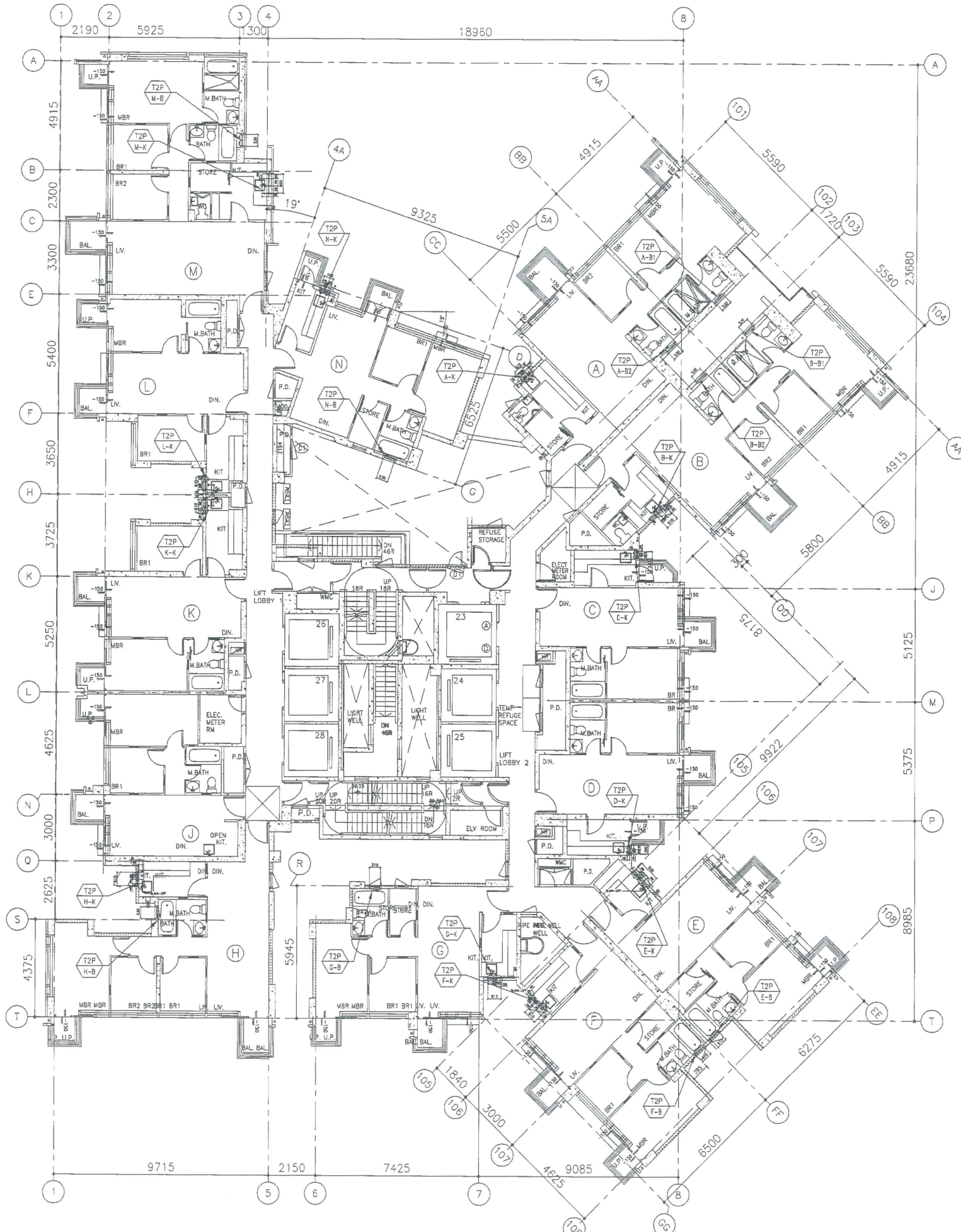
---

 美特鋁質有限公司  
 MIDI ALUMINIUM FABRICATOR LTD.  
 Units 6-8, Sunray Industrial Centre, 1/F  
 610 Cho Kwo Ling Road, Kowloon  
 Tel:23489211-4 Fax:(852)2772666

---

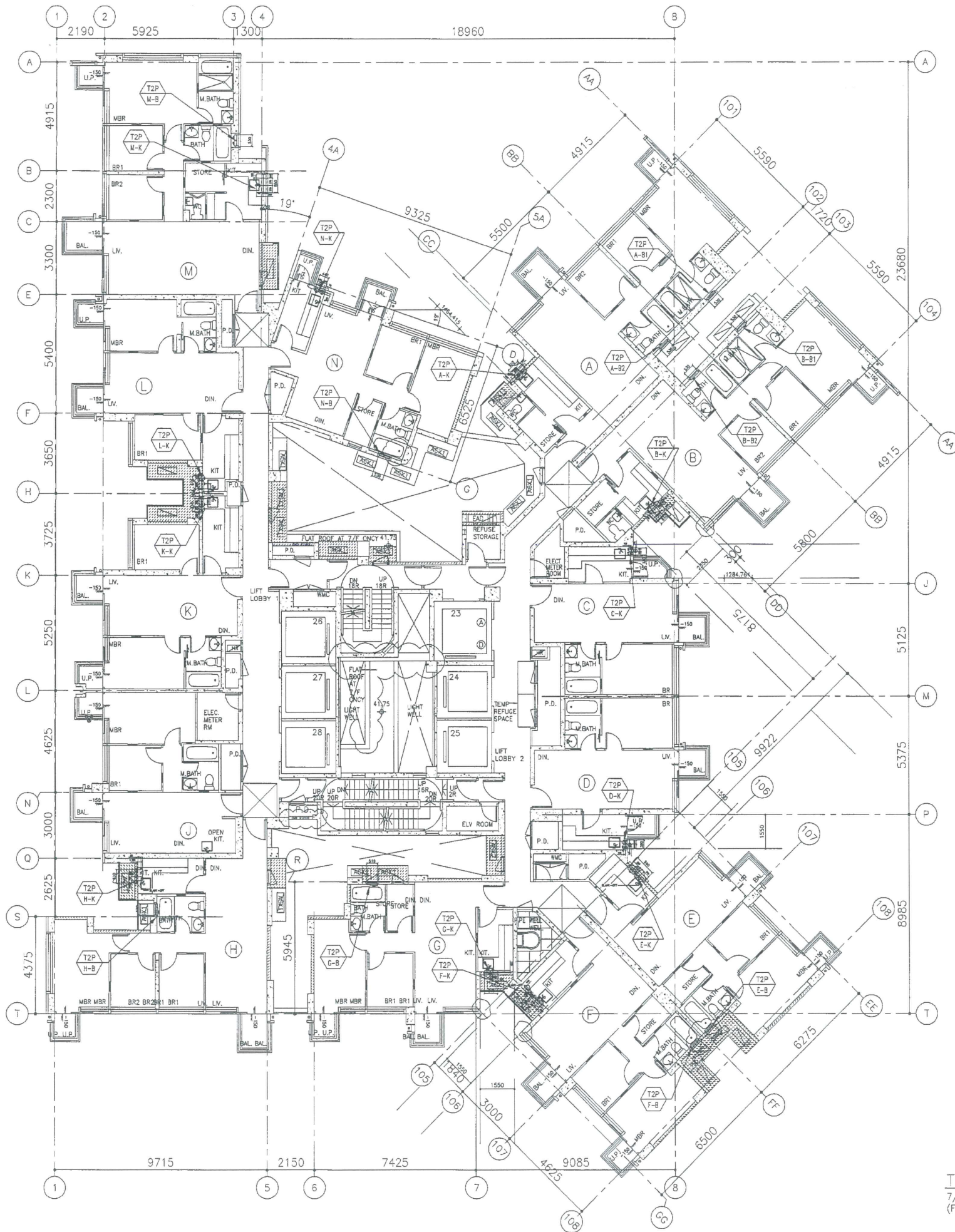
DWG NO. : J837-PB-3101      REV. : -





T2 - 6/F FLOOR PLAN

B.D. REF :			
CLIENT :			
信和置業有限公司 Sino Land Company Limited			
ARCHITECT :			
WONG TUNG & PARTNERS LIMITED ARCHITECTS & PLANNERS 			
MAIN CONTRACTOR :			
CR Construction Company Limited			
STRUCTURAL ENGINEER :			
FACADE CONSULTANT :			
NOTE :			
1. ALL DIMENSIONS ARE IN mm.			
2. ALL ELEVATIONS ARE VIEWED FROM OUTSIDE.			
3. ALL DIMENSIONS TO BE VERIFIED ON SITE BEFORE FABRICATION.			
LEGEND :			
X1 — DETAIL MARK NO. X001 — REFER SHEET NO.			
1. F.F.L. — FINISHED FLOOR LEVEL			
2. S.F.L. — STRUCTURAL FLOOR LEVEL			
3.  — REVERSED DETAIL			
NO.	DATE	REVISED	BY
JOB NO. : J-837			
PROJECT :			
URA KWUN TONG TOWN CENTRE REDEVELOPMENT (AREA 2 & 3) AT NKIL 6514, KWUN TONG, KOWLOON			
TITLE :			
FULL PLAN LAYOUT (FOR T2 6/F FLOOR PLAN)			
DATE : 04-JUL-18		SCALE : 1:200	
DRAWN BY : Zeng		CHECKED BY : DW	
MIDI ALUMINIUM FABRICATOR LTD. Units 6-8, Sunray Industrial Centre, 1/F 610 Cha Kwo Ling Road, Kowloon Tel: 23489211-4 Fax: (852) 2727666			
DWG NO. : J837-PB-3201			REV. : -



T2 - TYPICAL FLOOR PLAN  
 7/F - 26/F 28/F - 53F (41 STOREYS)  
 (FLOOR NOS. 13, 14, 24, 34, 44, 54 NOT USED.)

B.D. REF :

CLIENT :  
 信和置業有限公司  
 Sino Land Company Limited

ARCHITECT :  
 WONG TUNG & PARTNERS LIMITED  
 ARCHITECTS & PLANNERS

MAIN CONTRACTOR :  
 CR Construction Company Limited

STRUCTURAL ENGINEER :  
 AECOM

FACADE CONSULTANT:

- NOTE :
1. ALL DIMENSIONS ARE IN mm.
  2. ALL ELEVATIONS ARE VIEWED FROM OUTSIDE.
  3. ALL DIMENSIONS TO BE VERIFIED ON SITE BEFORE FABRICATION.

- LEGEND :
- (X1) --- DETAIL MARK NO.
  - (X001) --- REFER SHEET NO.
  - 1. F.F.L. --- FINISHED FLOOR LEVEL
  - 2. S.F.L. --- STRUCTURAL FLOOR LEVEL
  - 3. (R) --- REVERSED DETAIL

NO.	DATE	REVISED	BY

JOB NO. : J-837

PROJECT :  
 URA KWUN TONG TOWN CENTRE  
 REDEVELOPMENT (AREA 2 & 3) AT  
 NKIL 6514, KWUN TONG, KOWLOON

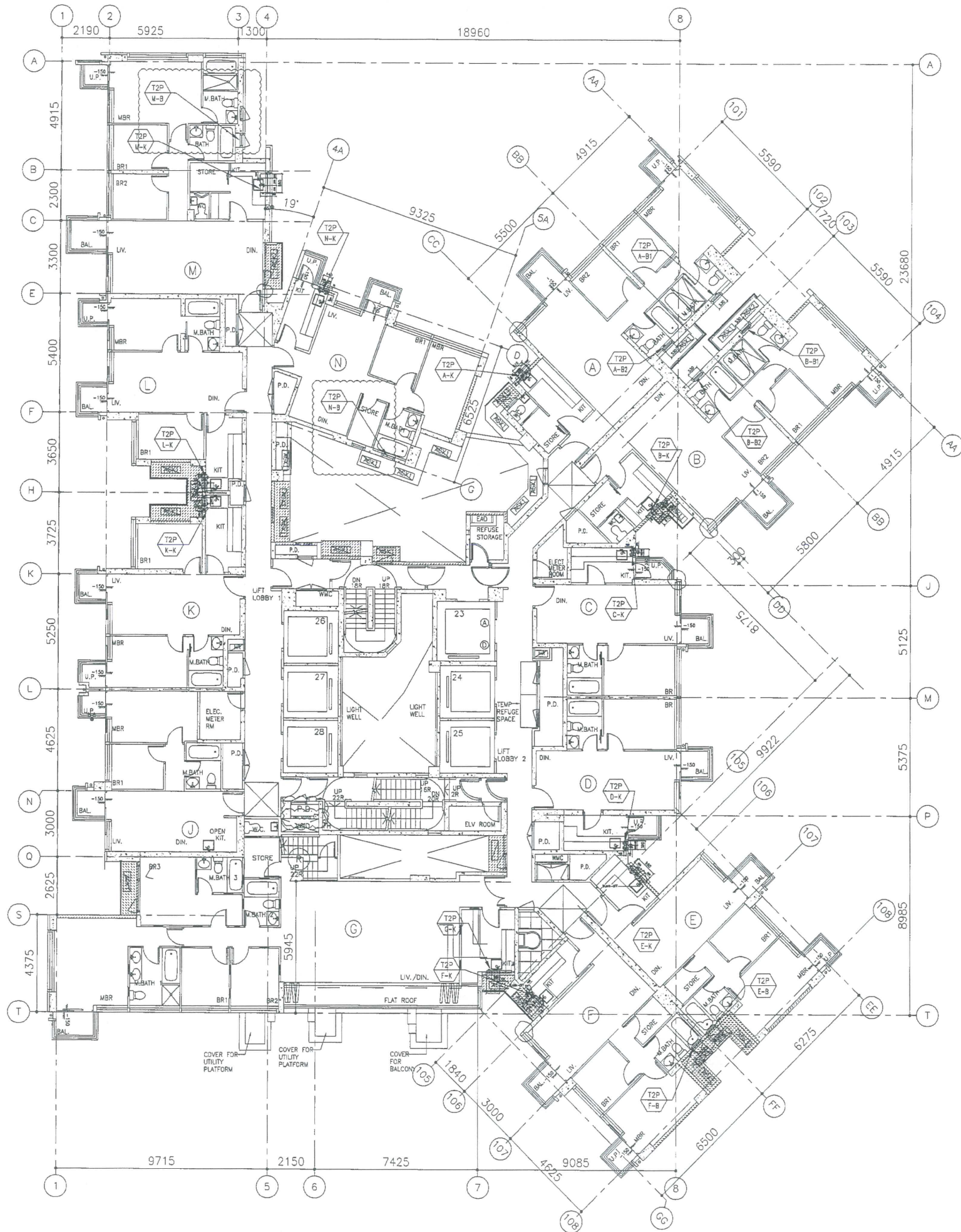
TITLE :  
 FULL PLAN LAYOUT  
 (FOR T2 TYPICAL FLOOR PLAN)

DATE : 04-JUL-18 SCALE : 1:200

DRAWN BY : Zeng CHECKED BY : DW

美特鋁質有限公司  
 MIDI ALUMINIUM FABRICATOR LTD.  
 Units 6-8, Sunray Industrial Centre, 1/F  
 510 Cha Kwo Ling Road, Kowloon  
 Tel:23489211-4 Fax:(852)27727666


DWG NO. : J837-PB-3202 REV. : -




T2 - 55/F FLOOR PLAN

B.D. REF :


---

CLIENT :  
 信和置業有限公司  
 Sino Land Company Limited


---

ARCHITECT :  
 WONG TUNG & PARTNERS LIMITED  
 ARCHITECTS & PLANNERS

---

MAIN CONTRACTOR :  
 CR Construction Company Limited

---

STRUCTURAL ENGINEER :  
 AECOM

---

FACADE CONSULTANT :

---

NOTE :  
 1. ALL DIMENSIONS ARE IN mm.  
 2. ALL ELEVATIONS ARE VIEWED FROM OUTSIDE.  
 3. ALL DIMENSIONS TO BE VERIFIED ON SITE BEFORE FABRICATION.

LEGEND :  
 X1 --- DETAIL MARK NO.  
 X001 --- REFER SHEET NO.  
 1. F.F.L. --- FINISHED FLOOR LEVEL  
 2. S.F.L. --- STRUCTURAL FLOOR LEVEL  
 3. (R) --- REVERSED DETAIL

---

A	2019/2/13	GENERAL REVISION	Zeng
NO.	DATE	REVISED	BY

---

JOB NO. : J-837  
 PROJECT :  
 URA KWUN TONG TOWN CENTRE  
 REDEVELOPMENT (AREA 2 & 3) AT  
 NKIL 6514, KWUN TONG, KOWLOON


---

TITLE :  
 FULL PLAN LAYOUT  
 (FOR T2 55/F FLOOR PLAN)

---

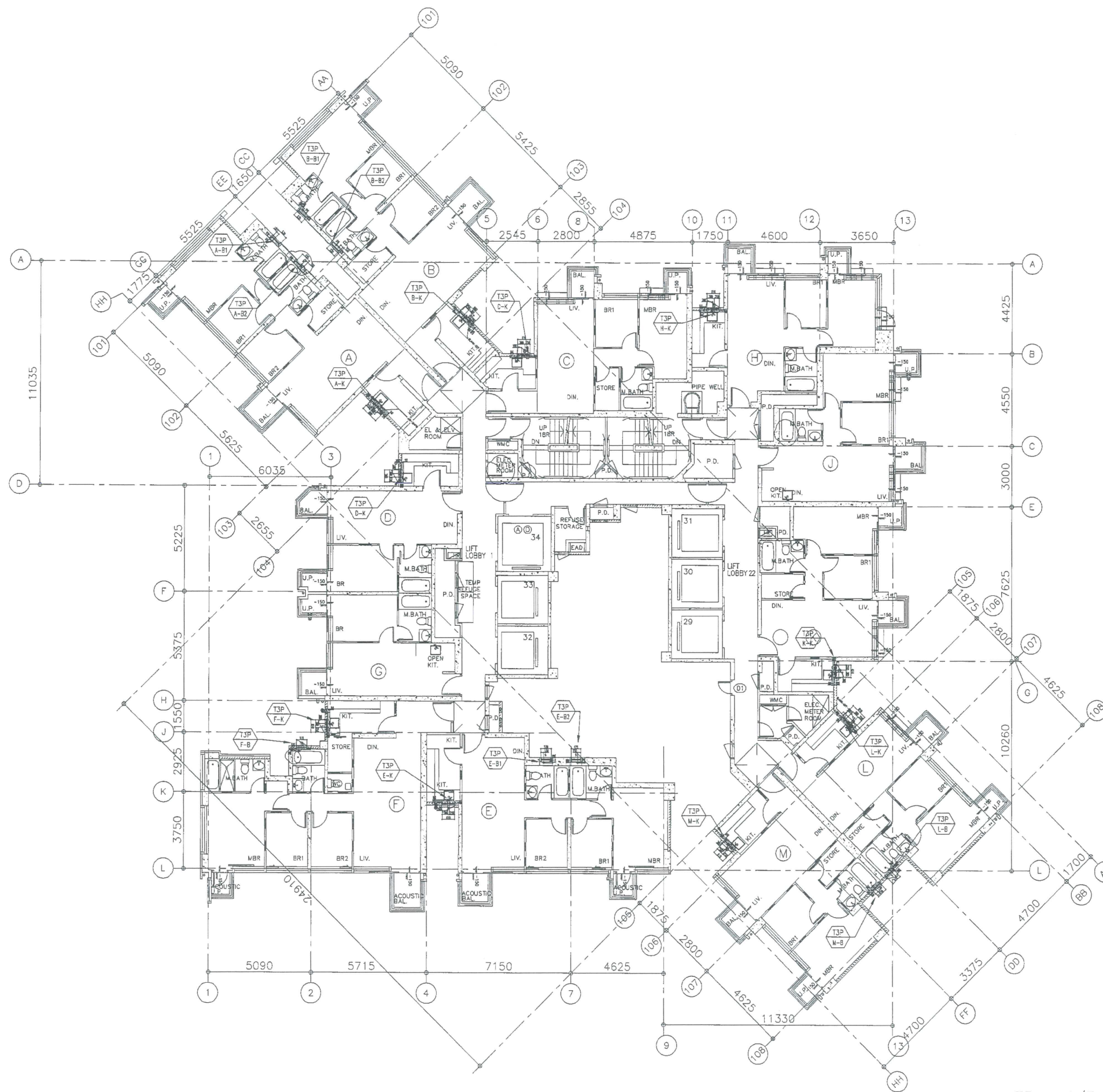
DATE : 04-JUL-18      SCALE : 1:200  
 DRAWN BY : Zeng      CHECKED BY : DW

---

 美特鋁質有限公司  
 MIDI ALUMINUM FABRICATOR LTD.  
 Units 6-8, Sunray Industrial Centre, 1/F  
 610 Cha Kwo Ling Road, Kowloon  
 Tel: 23489211-4 Fax: (852) 2727666

---

DWG NO. : J837-PB-3203      REV. : A




T3 - 6/F FLOOR PLAN

B.D. REF :

CLIENT :  
 信和置業有限公司  
 Sino Land Company Limited

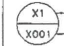

ARCHITECT :  
 WONG TUNG & PARTNERS LIMITED  
 ARCHITECTS & PLANNERS

MAIN CONTRACTOR :  
 CR Construction Company Limited

STRUCTURAL ENGINEER :  
 AECOM

FACADE CONSULTANT:

NOTE :  
 1. ALL DIMENSIONS ARE IN mm.  
 2. ALL ELEVATIONS ARE VIEWED FROM OUTSIDE.  
 3. ALL DIMENSIONS TO BE VERIFIED ON SITE BEFORE FABRICATION.

LEGEND :  
 X1 --- DETAIL MARK NO.  
 X001 --- REFER SHEET NO.  
 1. F.F.L. --- FINISHED FLOOR LEVEL  
 2. S.F.L. --- STRUCTURAL FLOOR LEVEL  
 3. (R) --- REVERSED DETAIL

NO.	DATE	REVISED	BY

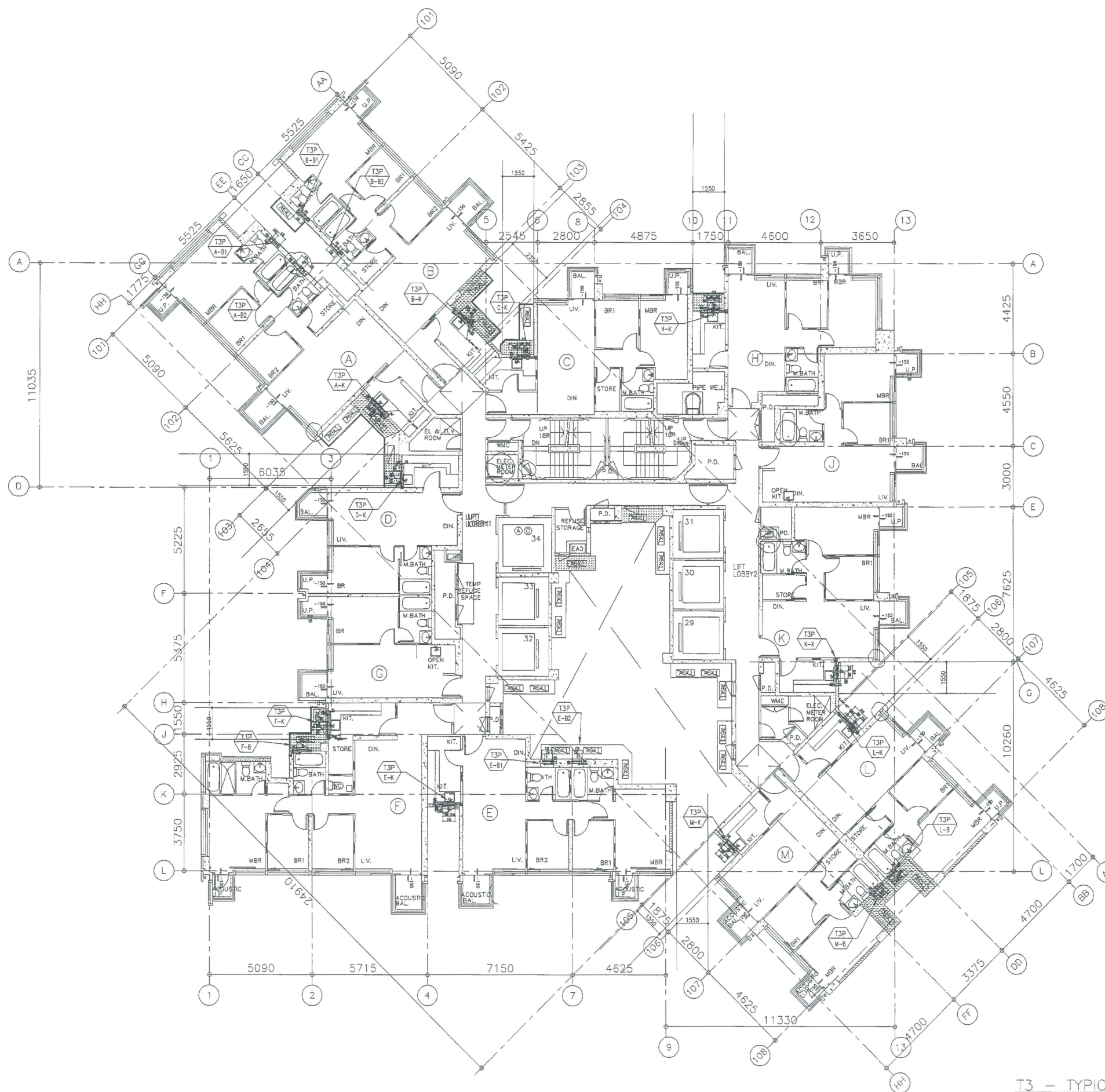
JOB NO. : J-837  
 PROJECT :  
 URA KWUN TONG TOWN CENTRE  
 REDEVELOPMENT (AREA 2 & 3) AT  
 NKIL 6514, KWUN TONG, KOWLOON

TITLE :  
 FULL PLAN LAYOUT  
 (FOR T3 6/F FLOOR PLAN)

DATE : 04-JUL-18 SCALE : 1:200  
 DRAWN BY : Zeng CHECKED BY : DW

 英特鋁質有限公司  
 MIDI ALUMINIUM FABRICATOR LTD.  
 Units 6-8, Sunray Industrial Centre, 1/F  
 610 Cha Kwo Ling Road, Kowloon  
 Tel: 23489211-4 Fax: (852) 2727666

DWG NO. : J837-PB-3301 REV. : -



B.D. REF :

CLIENT :  
 信和置業有限公司  
 Sino Land Company Limited



ARCHITECT :  
 WONG TUNG & PARTNERS LIMITED  
 ARCHITECTS & PLANNERS  


MAIN CONTRACTOR :  
 CR Construction Company Limited

STRUCTURAL ENGINEER :  


FACADE CONSULTANT :

NOTE :  
 1. ALL DIMENSIONS ARE IN mm.  
 2. ALL ELEVATIONS ARE VIEWED FROM OUTSIDE.  
 3. ALL DIMENSIONS TO BE VERIFIED ON SITE BEFORE FABRICATION.

LEGEND :  
 — DETAIL MARK NO.  
 — REFER SHEET NO.  
 1. F.F.L. — FINISHED FLOOR LEVEL  
 2. S.F.L. — STRUCTURAL FLOOR LEVEL  
 3. (R) — REVERSED DETAIL

NO.	DATE	REVISED	BY

JOB NO. : J-837

PROJECT :  
 URA KWUN TONG TOWN CENTRE  
 REDEVELOPMENT (AREA 2 & 3) AT  
 NKIL 6514, KWUN TONG, KOWLOON

TITLE :  
 FULL PLAN LAYOUT  
 (FOR T3 TYPICAL FLOOR PLAN)

DATE : 04-JUL-18 SCALE : 1:200

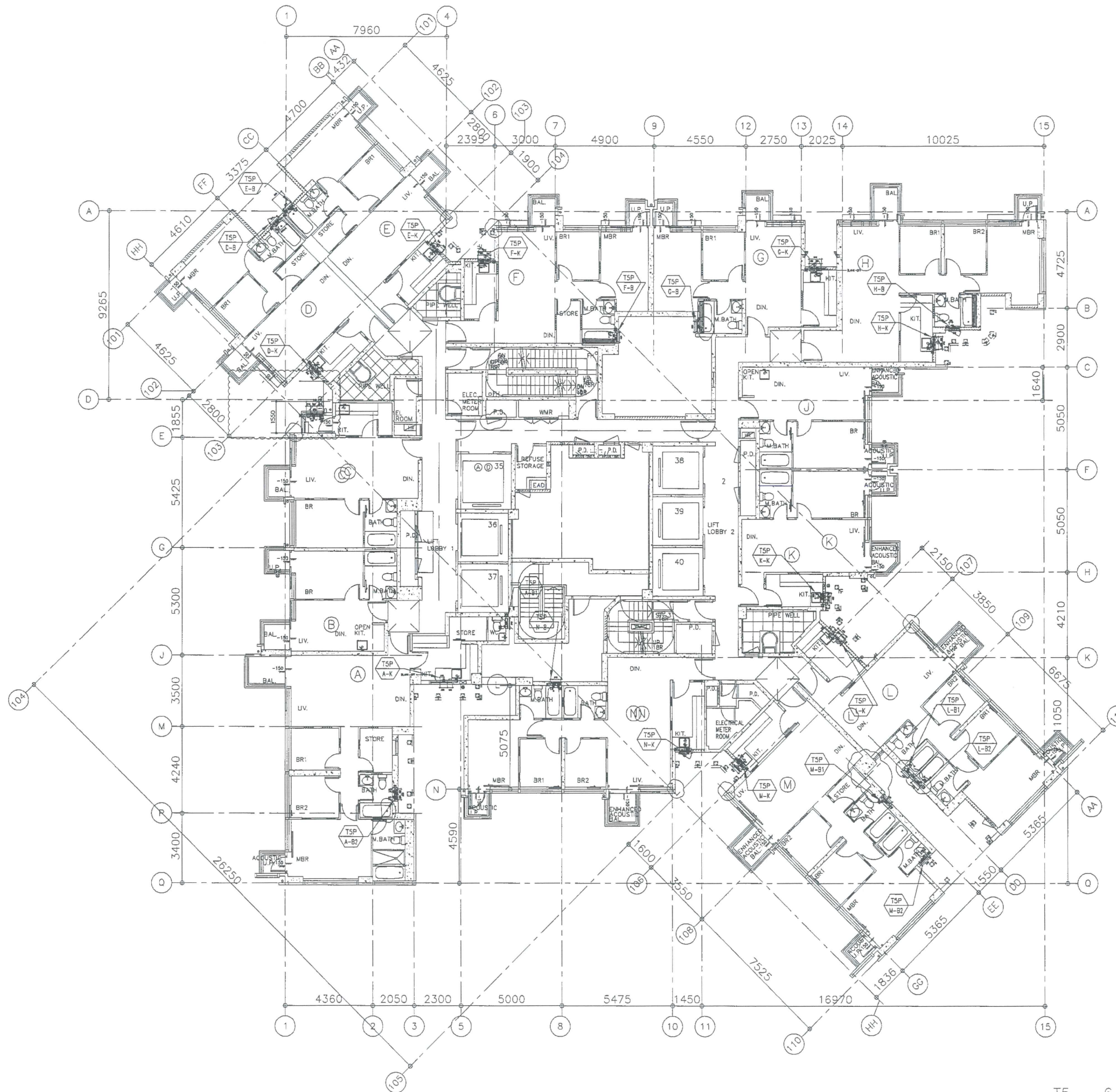
DRAWN BY : Zeng CHECKED BY : DW

 美特鋁質有限公司  
 MIDI ALUMINIUM FABRICATOR LTD.  
 Units 6-8, Sunray Industrial Centre, 1/F  
 610 Cha Kwo Ling Road, Kowloon  
 Tel: 23489211-4 Fax: (852) 27727666

DWG NO. : J837-PB-3302 REV. : -

T3 — TYPICAL FLOOR PLAN  
 7/F - 26/F 28/F - 51/F (39 STOREYS)  
 (FLOOR NOS. 13, 14, 24, 34, 44 NOT USED.)








T5 - 6/F FLOOR PLAN


B.D. REF :

---

CLIENT :  
 信和置業有限公司  
 Sino Land Company Limited

ARCHITECT :  
 WONG TUNG & PARTNERS LIMITED  
 ARCHITECTS & PLANNERS  


MAIN CONTRACTOR :  
 CR Construction Company Limited

STRUCTURAL ENGINEER :  


FACADE CONSULTANT:

---

NOTE :

1. ALL DIMENSIONS ARE IN mm.
2. ALL ELEVATIONS ARE VIEWED FROM OUTSIDE.
3. ALL DIMENSIONS TO BE VERIFIED ON SITE BEFORE FABRICATION.

LEGEND :

(X1) --- DETAIL MARK NO.  
 (X001) --- REFER SHEET NO.

1. F.F.L. --- FINISHED FLOOR LEVEL
2. S.F.L. --- STRUCTURAL FLOOR LEVEL
3. (R) --- REVERSED DETAIL

---

NO.	DATE	GENERAL REVISION	REVISOR	BY
A	2019/3/4	GENERAL REVISION	Zeng	


JOB NO. : J-837

PROJECT :  
 URA KWUN TONG TOWN CENTRE  
 REDEVELOPMENT (AREA 2 & 3) AT  
 NKIL 6514, KWUN TONG, KOWLOON

TITLE :  
 FULL PLAN LAYOUT  
 (FOR T5 6/F FLOOR PLAN)

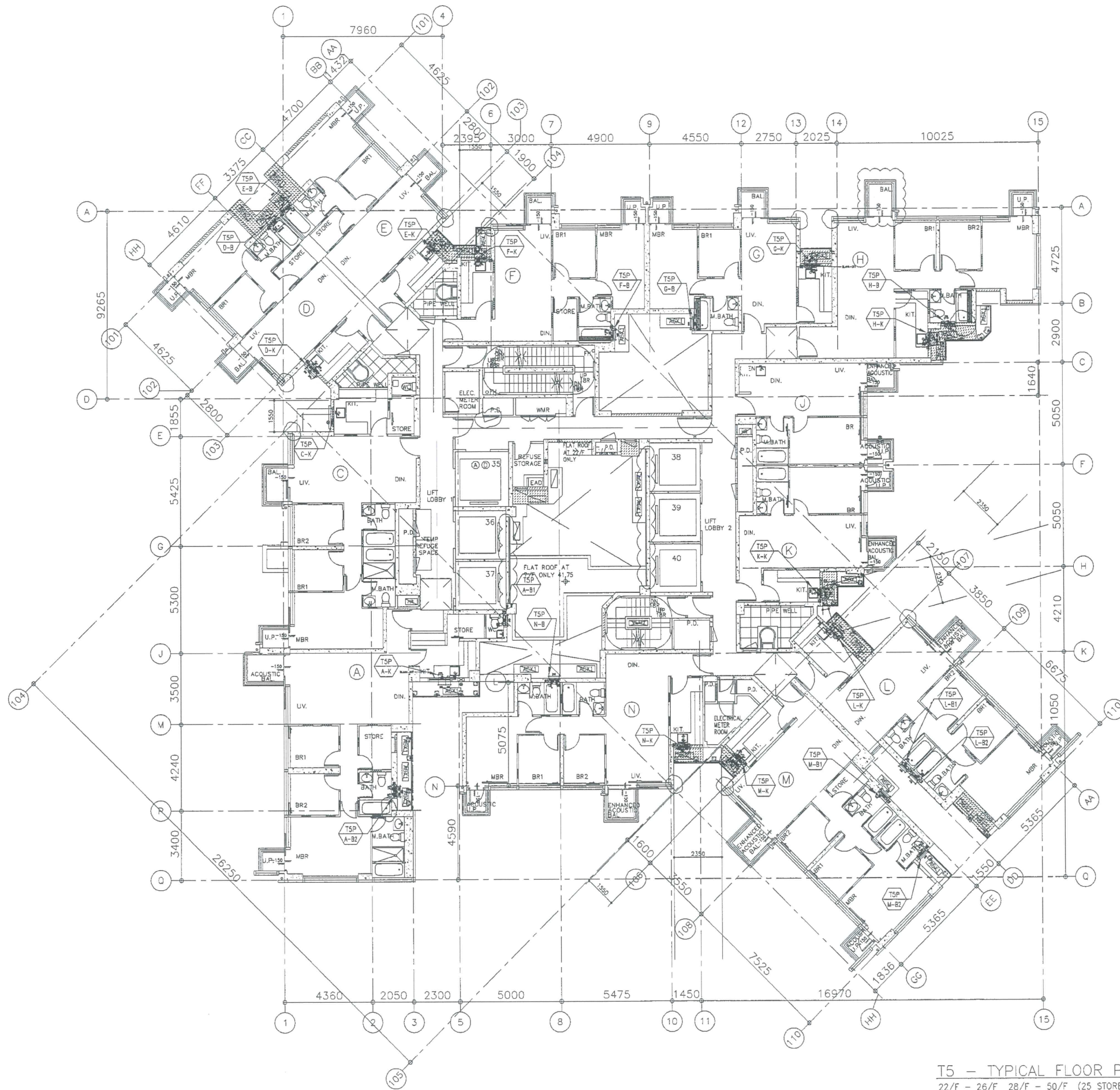
DATE : 04-JUL-18      SCALE : 1:200

DRAWN BY : Zeng      CHECKED BY : DW

 英特鋁質有限公司  
 MIDI ALUMINUM FABRICATOR LTD.  
 Units 6-8, Sunray Industrial Centre, 1/F  
 610 Cha Kwo Ling Road, Kowloon  
 Tel: 23489211-4 Fax: (852) 2727666

DWG NO. : J837-PB-3501      REV. : A








T5 - TYPICAL FLOOR PLAN (HIGH ZONE)  
 22/F - 26/F 28/F - 50/F (25 STOREYS)  
 (FLOOR NOS. 24, 34, 44 NOT USED.)


B.D. REF :

---

CLIENT :  
 信和置業有限公司  
 Sino Land Company Limited

ARCHITECT :  
 WONG TUNG & PARTNERS LIMITED  
 ARCHITECTS & PLANNERS

MAIN CONTRACTOR :  
 CR Construction Company Limited

STRUCTURAL ENGINEER :  
 AECOM

FAÇADE CONSULTANT:

---

NOTE :


1. ALL DIMENSIONS ARE IN mm.
2. ALL ELEVATIONS ARE VIEWED FROM OUTSIDE.
3. ALL DIMENSIONS TO BE VERIFIED ON SITE BEFORE FABRICATION.

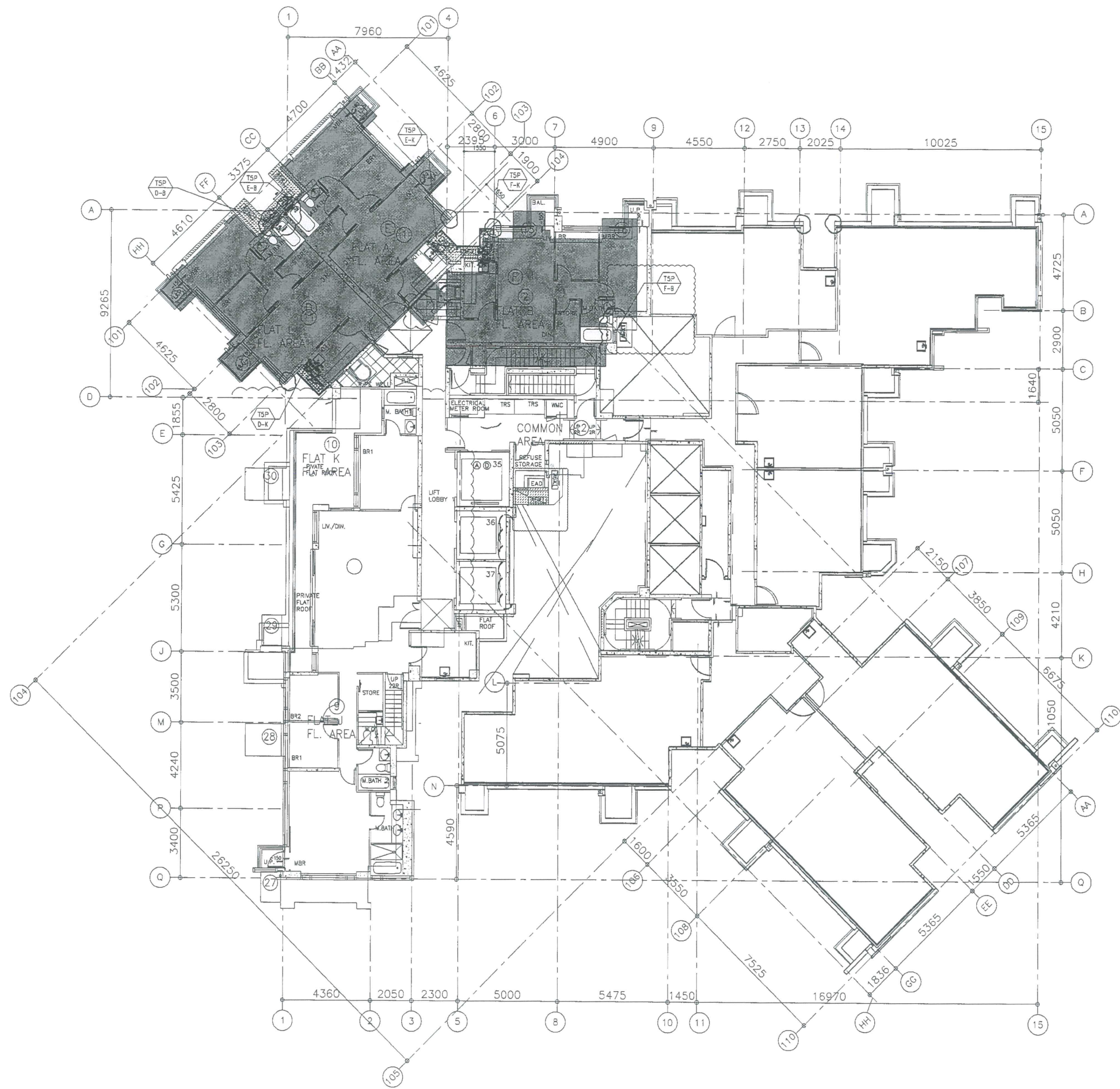
LEGEND :

(X1) --- DETAIL MARK NO.  
 (X001) --- REFER SHEET NO.

1. F.F.L. --- FINISHED FLOOR LEVEL
2. S.F.L. --- STRUCTURAL FLOOR LEVEL
3. (R) --- REVERSED DETAIL

---

NO.	DATE	REVISED	BY
JOB NO. : J-837			
PROJECT : URA KWUN TONG TOWN CENTRE REDEVELOPMENT (AREA 2 & 3) AT NKIL 6514, KWUN TONG, KOWLOON			
TITLE : HIGH ZONE LAYOUT (FOR T5 22/F-26/F&28/F-50/F FLOOR PLAN)			
DATE : 04-JUL-18		SCALE : 1:200	
DRAWN BY : Zeng		CHECKED BY : DW	
 美特鋁質有限公司 MIDI ALUMINIUM FABRICATOR LTD. Units 6-8, Sunny Industrial Centre, 1/F 610 Cho Kwo Ling Road, Kowloon Tel: 23489211-4 Fax: (852) 27727666			
DWG NO. : JB37-PB-3503			REV. : -



T5 - 51/F PLAN

B.D. REF :

CLIENT :  
 信和置業有限公司  
 Sino Land Company Limited

ARCHITECT :  
 WONG TUNG & PARTNERS LIMITED  
 ARCHITECTS & PLANNERS  


MAIN CONTRACTOR :  
 CR Construction Company Limited

STRUCTURAL ENGINEER :  


FACADE CONSULTANT:

NOTE :  
 1. ALL DIMENSIONS ARE IN mm.  
 2. ALL ELEVATIONS ARE VIEWED FROM OUTSIDE.  
 3. ALL DIMENSIONS TO BE VERIFIED ON SITE BEFORE FABRICATION.

LEGEND :  
 DETAIL MARK NO.  
 REFER SHEET NO.  
 1. F.F.L. --- FINISHED FLOOR LEVEL  
 2. S.F.L. --- STRUCTURAL FLOOR LEVEL  
 3. /R --- REVERSED DETAIL

NO.	DATE	GENERAL REVISION	REVISOR	BY
A	2019/2/13			Zeng

JOB NO. : J-837

PROJECT :  
 URA KWUN TONG TOWN CENTRE  
 REDEVELOPMENT (AREA 2 & 3) AT  
 NKIL 6514, KWUN TONG, KOWLOON

TITLE :  
 FULL PLAN LAYOUT  
 (FOR T5 51/F FLOOR PLAN)

DATE : 04-JUL-18 SCALE : 1:200

DRAWN BY : Zeng CHECKED BY : DW

 美特鋁質有限公司  
 MIDI ALUMINIUM FABRICATOR LTD.  
 Units 6-8, Sunray Industrial Centre, 1/F  
 610 Cha Kwo Ling Road, Kowloon  
 Tel: 23489211-4 Fax: (852) 27727666

DWG NO. : J837-PB-3504 REV. : A

From: 陳敬業 Chan King Yip, Mic <micchan@czcgl.com.hk>  
To: 何志光 Richard Ho <richardho@sundart.com>, jeremylau <jeremylau@sundart.com>, mh.yeung@shunhingeng.com  
Subject: Re: (Reminder)NKIL 6514 - Curtain Wall NSC : Bulk Order of Plenum Box with One Way Flap  
Date sent: Thu, 13 Jun 2019 00:41:05 +0800  
Copies to: "jason.lcs.midi@gmail.com" <jason.lcs.midi@gmail.com>, "ant.ysy.midi@gmail.com" <ant.ysy.midi@gmail.com>, "bessie.lps.midi@gmail.com" <bessie.lps.midi@gmail.com>, "eric.lkw.midi@gmail.com" <eric.lkw.midi@gmail.com>, Lau Yiu <lauiyu@sino.com>, Herbert Thung <herbertthung@sino.com>, "frankiecheung@czcgl.com.hk" <frankiecheung@czcgl.com.hk>, "shw@czcgl.com.hk" <shw@czcgl.com.hk>, Dennis Ling <dennisling@sino.com>, Kennis Chan <kenniswcchan@wongtung.com>, "ura-kwuntong2-3@wongtung.com" <ura-kwuntong2-3@wongtung.com>, Lam Yiu Hung <lamiuhung@sino.com>, "midi@midiltd.com.hk" <midi@midiltd.com.hk>, tsangtszleung@sino.com, gordonng@sino.com

Dear Richard , Jeremy (Sundart); Hoi (Shunhing),

As per our site discussion, the revised plenum box sample at T1 8/F Flat E have been completed and all party (Sundrat and Shunhing) have also completed their further installation work. In addition, we also receive your verbal agreement for this revised design. So, please kindly refer to the attached 5th plenum box shopdrawing and the revised plenum box on-site sample for the other affected location. Please kindly reply us before today (13/6/2019) 15:30 for the design. If we do not receive your reply before today (13/6/2019) 15:30 , we consider that your both party agree use onsite plenum box sample for those plenum boxes blocking the installation of ceiling grille.

BR

Mic Chan

大利 確定 敬行之

e-mail

On Wed, Jun 12, 2019 at 3:54 PM [midi@midiltd.com.hk](mailto:midi@midiltd.com.hk) <[midi@midiltd.com.hk](mailto:midi@midiltd.com.hk)> wrote:

Dear Mic,

With reference to the below e-mail, we still haven't received any comment on the revised air plenum box at T1 unit E bathroom. Full set of 5th shop drawing for air plenum box is attached for your advanced information. Please note that shop drawing for those plenum boxes blocking the installation of ceiling grille is revised according to the revised details of air plenum box at T1 unit E bathroom. Please inform us if you have no adverse comment on the attached drawing and bulk order for those plenum boxes would start fabrication after your confirmation.

Revised drawing for those plenum boxes blocking the installation of ceiling grille is as follows:

1. Dwg no.: J837-PB-2101A
2. Dwg no.: J837-PB-2104A
3. Dwg no.: J837-PB-2105A
4. Dwg no.: J837-PB-2107
5. Dwg no.: J837-PB-2108
6. Dwg no.: J837-PB-2114

Thank you!

Regards,  
Bessie

*From:* midi@midiltd.com.hk <midi@midiltd.com.hk>  
*To:* micchan@czcgl.com.hk  
*Subject:* Re: 回覆: NKIL 6514 - Curtain Wall NSC : Bulk Order of Plenum Box with One Way Flap  
*Copies to:* "jason.lcs.midi@gmail.com" <jason.lcs.midi@gmail.com>, "ant.ysy.midi@gmail.com" <ant.ysy.midi@gmail.com>, "bessie.lps.midi@gmail.com" <bessie.lps.midi@gmail.com>, "eric.lkw.midi@gmail.com" <eric.lkw.midi@gmail.com>, "Lau Yiu" <lauyiu@sino.com>, "Herbert Thung" <herbertthung@sino.com>, "frankiecheung@czcgl.com.hk" <frankiecheung@czcgl.com.hk>, "shw@czcgl.com.hk" <shw@czcgl.com.hk>, "Dennis Ling" <dennisling@sino.com>, "Kennis Chan" <kenniswcchan@wongtung.com>, "ura-kwuntong2-3@wongtung.com" <ura-kwuntong2-3@wongtung.com>, "Lam Yiu Hung" <lamyihung@sino.com>  
*Date sent:* Mon, 10 Jun 2019 10:56:33 +0800

Dear Mic,

With reference to the below e-mail sent to you last Monday, we still haven't received any comment on the revised air plenum box at T1 unit E bathroom. Please inform us if the revised details could be applicable to all plenum boxes blocking the installation of ceiling grille and bulk order for those plenum boxes would start fabrication after your confirmation.

Regards,  
Bessie

---

*From:* midi@midiltd.com.hk <midi@midiltd.com.hk>  
*To:* micchan@czcgl.com.hk  
*Subject:* Re: 回覆: NKIL 6514 - Curtain Wall NSC : Bulk Order of Plenum Box with One Way Flap  
*Copies to:* "jason.lcs.midi@gmail.com" <jason.lcs.midi@gmail.com>, "ant.ysy.midi@gmail.com" <ant.ysy.midi@gmail.com>, "bessie.lps.midi@gmail.com" <bessie.lps.midi@gmail.com>, "eric.lkw.midi@gmail.com" <eric.lkw.midi@gmail.com>, "Lau Yiu" <lauyiu@sino.com>, "Herbert Thung" <herbertthung@sino.com>, "frankiecheung@czcgl.com.hk" <frankiecheung@czcgl.com.hk>, "shw@czcgl.com.hk" <shw@czcgl.com.hk>, "Dennis Ling" <dennisling@sino.com>, "Kennis Chan" <kenniswcchan@wongtung.com>, "ura-kwuntong2-3@wongtung.com" <ura-kwuntong2-3@wongtung.com>, "Lam Yiu Hung" <lamyihung@sino.com>  
*Date sent:* Mon, 03 Jun 2019 17:59:58 +0800

Dear Mic,

In order not to block the installation of ceiling grille, air plenum box at T1 unit E bathroom is revised as per the attached drawing and the revised plenum box was installed at site last Friday (31 MAY 2019). Please find the attached photo for your reference. Please inform us if the revised details could be

applicable to all plenum boxes blocking the installation of ceiling grille and bulk order for those plenum boxes would start fabrication after your confirmation.

Thank you!

Regards,  
Bessie?

---

*From:* "Lam Yiu Hung" <lamyihung@sino.com>  
*To:* "midi@midiltd.com.hk" <midi@midiltd.com.hk >,  
"frankiecheung@czcgl.com.hk" <frankiecheung@czcgl.com.hk >,  
"shw@czcgl.com.hk" <shw@czcgl.com.hk>,  
"Dennis Ling" <dennisling@sino.com>,  
"Kenniss Chan" <kennisswcchan@wongtung.com>,  
"ura-kwuntong2-3@wongtung.com" <ura-kwuntong2-3@wongtung.com >  
*Copies to:* "jason.lcs.midi@gmail.com" <jason.lcs.midi@gmail.com>,  
"ant.ysy.midi@gmail.com" <ant.ysy.midi@gmail.com>,  
"bessie.lps.midi@gmail.com" <bessie.lps.midi@gmail.com >,  
"eric.lkw.midi@gmail.com" <eric.lkw.midi@gmail.com>,  
"Lau Yiu" <lauiyu@sino.com>, "Herbert Thung" <herbertthung@sino.com >  
*Subject:*?回覆: NKIL 6514 - Curtain Wall NSC : Bulk Order  
?of Plenum Box with One Way Flap  
*Date sent:* Mon, 27 May 2019 16:39:23 +0000

To Jason:

After review the problem of bathroom ceiling grill, exhaust air duct and air plenum. Please arrange a new size of air plenum and install at the mock up floor for all relevant parties reference and carry out necessary action. Detail as already discussed with your representative - Yuen.

Regards,  
Hung

---

寄件者: midi@midiltd.com.hk <midi@midiltd.com.hk>  
寄件日期: 2019年5月24日 17:38  
收件者: frankiecheung@czcgl.com.hk; shw@czcgl.com.hk; Lam Yiu Hung; Dennis Ling; Kenniss Chan; ura-kwuntong2-3@wongtung.com  
副本: jason.lcs.midi@gmail.com; ant.ysy.midi@gmail.com; bessie.lps.midi@gmail.com; eric.lkw.midi@gmail.com  
主旨: NKIL 6514 - Curtain Wall NSC : Bulk Order of Plenum Box with One Way Flap

Dear Sir/ Madam,

Refer : MC/38951/837

Please find the attachment, for your information.

Thanks and Regards  
Yvonne Leung

MIDI Aluminium Fabricator Ltd., Tel:(852) 2348 9211, Fax:(852) 2772 7666

\*\*\*\*\*

The information contained in this e-mail is confidential and is intended solely for the addressee. If you are not the intended recipient, please notify the sender immediately and delete this e-mail from your system. Any unauthorised use, disclosure, copying, printing, forwarding or dissemination of any part of this information is prohibited. MIDI does not accept responsibility for the content of any e-mail transmitted by its staff for any reason other than bona fide business purposes. Any information that is not transmitted via secure tamper-proof technology should not be relied upon, unless advised or agreed otherwise in writing by an authorised representative of MIDI

\*\*\*\*\*

Attachments: T:\Jobs\J-837\7 E mail & Letter\to CR\20190603 Plenum Box\IMG-20190531-WA0006.jpg  
T:\Jobs\J-837\7 E mail & Letter\to CR\20190603 Plenum Box\Revise details for air plenum box.pdf

MIDI Aluminium Fabricator Ltd., Tel:(852) 2348 9211, Fax:(852) 2772 7666

\*\*\*\*\*

The information contained in this e-mail is confidential and is intended solely for the addressee. If you are not the intended recipient, please notify the sender immediately and delete this e-mail from your system. Any unauthorised use, disclosure, copying, printing, forwarding or dissemination of any part of this information is prohibited. MIDI does not accept responsibility for the content of any e-mail transmitted by its staff for any reason other than bona fide business purposes. Any information that is not transmitted via secure tamper-proof technology should not be relied upon, unless advised or agreed otherwise in writing by an authorised representative of MIDI

\*\*\*\*\*