

工程指示 / 要求簡箋(E.I.)

工程指示編號：EI / 0233 / 19

修改版次：G

工程編號：J - 837

工程名稱：觀塘裕民坊

工程項目：Plenum Box 大圖 修改 (重做 8/F 辦房)

收件人：Maggie

發件人：Bessie Lau

日期：02/04/2019

要求提供 / 確認 事項：

- | | | |
|------------------------------------|-------------------------------------|-------------------------------|
| <input type="checkbox"/> 初步鋁料 B.M. | <input type="checkbox"/> 加工拆圖，然後生產 | <input type="checkbox"/> 尺寸表 |
| <input type="checkbox"/> 正式鋁料 B.M. | <input type="checkbox"/> 技術上資料 / 指示 | <input type="checkbox"/> 報價 |
| <input type="checkbox"/> 配件 B.M. | <input type="checkbox"/> 樣辦或貨品說明書 | <input type="checkbox"/> 分判合約 |
| <input type="checkbox"/> 其他：_____ | | |

內容：

煩請按附件重做 8/F 用 Plenum Box 共 3 個(Box no.: T3P/D-K、T1P/A-B、T2P/M-K, 每款各做 1 個) 如附圖所示, 請留意部分(不是全部)R=123mm 的喉咀左右兩邊須開 M5 平頭孔

已於 4 月 2 日把修改資料微信給鴻鵠吳先生。

此 EI 已電郵給鴻鵠吳先生。

請在 9/4/2019 前完成上列要求。

For my reference:
Wong 118, Wong 119,
Wong 119A
修改

附有關圖紙 / 文件：

以上項目為：

- | | | |
|---------------------------------|--------------------------------------|--------------------------------|
| <input type="checkbox"/> 原合約工程包 | <input type="checkbox"/> 原合約工程加 / 減賬 | <input type="checkbox"/> 新工程報價 |
|---------------------------------|--------------------------------------|--------------------------------|

原因：-

分發東莞各部門：

- | | | | |
|--------------------------------------------------------------|-------------------------------------------------------------|-----------------------------------------------------------|----------------------------------------------------------------|
| <input type="checkbox"/> 生產技術總監 <input type="checkbox"/> 連附件 | <input type="checkbox"/> 技術部 <input type="checkbox"/> 連附件 | <input type="checkbox"/> 生產部 <input type="checkbox"/> 連附件 | <input type="checkbox"/> 機械設計部 <input type="checkbox"/> 連附件 |
| <input type="checkbox"/> 採購部 <input type="checkbox"/> 連附件 | <input type="checkbox"/> 生產統籌部 <input type="checkbox"/> 連附件 | | |
| <input type="checkbox"/> 質檢部 <input type="checkbox"/> 連附件 | <input type="checkbox"/> 會計部 <input type="checkbox"/> 連附件 | <input type="checkbox"/> 報關組 <input type="checkbox"/> 連附件 | <input type="checkbox"/> 其他 _____ <input type="checkbox"/> 連附件 |

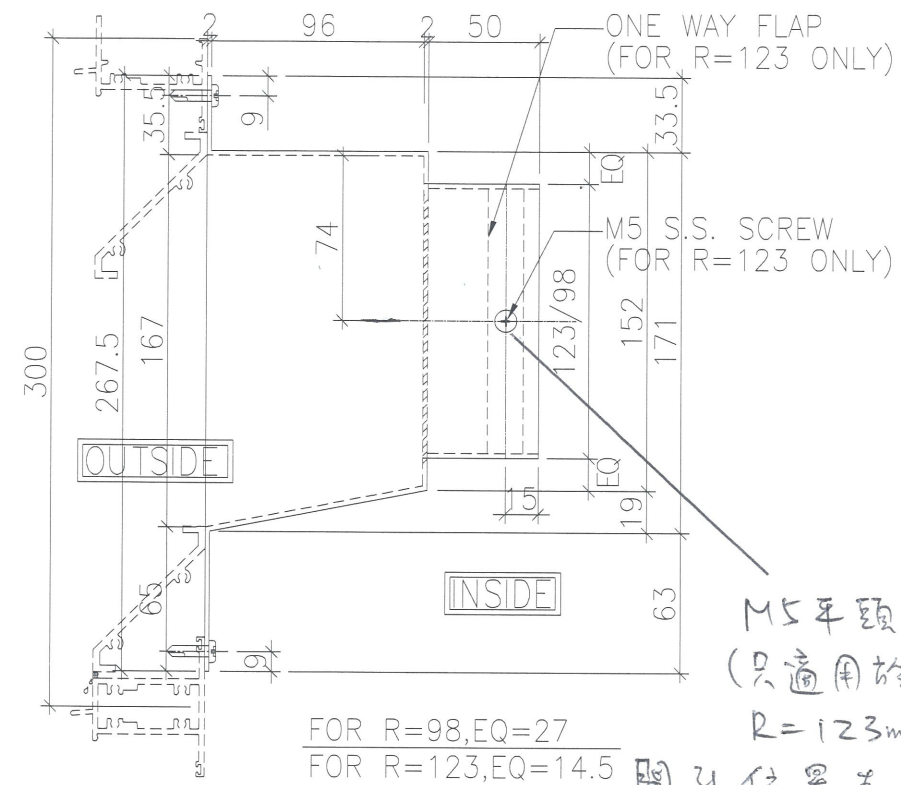
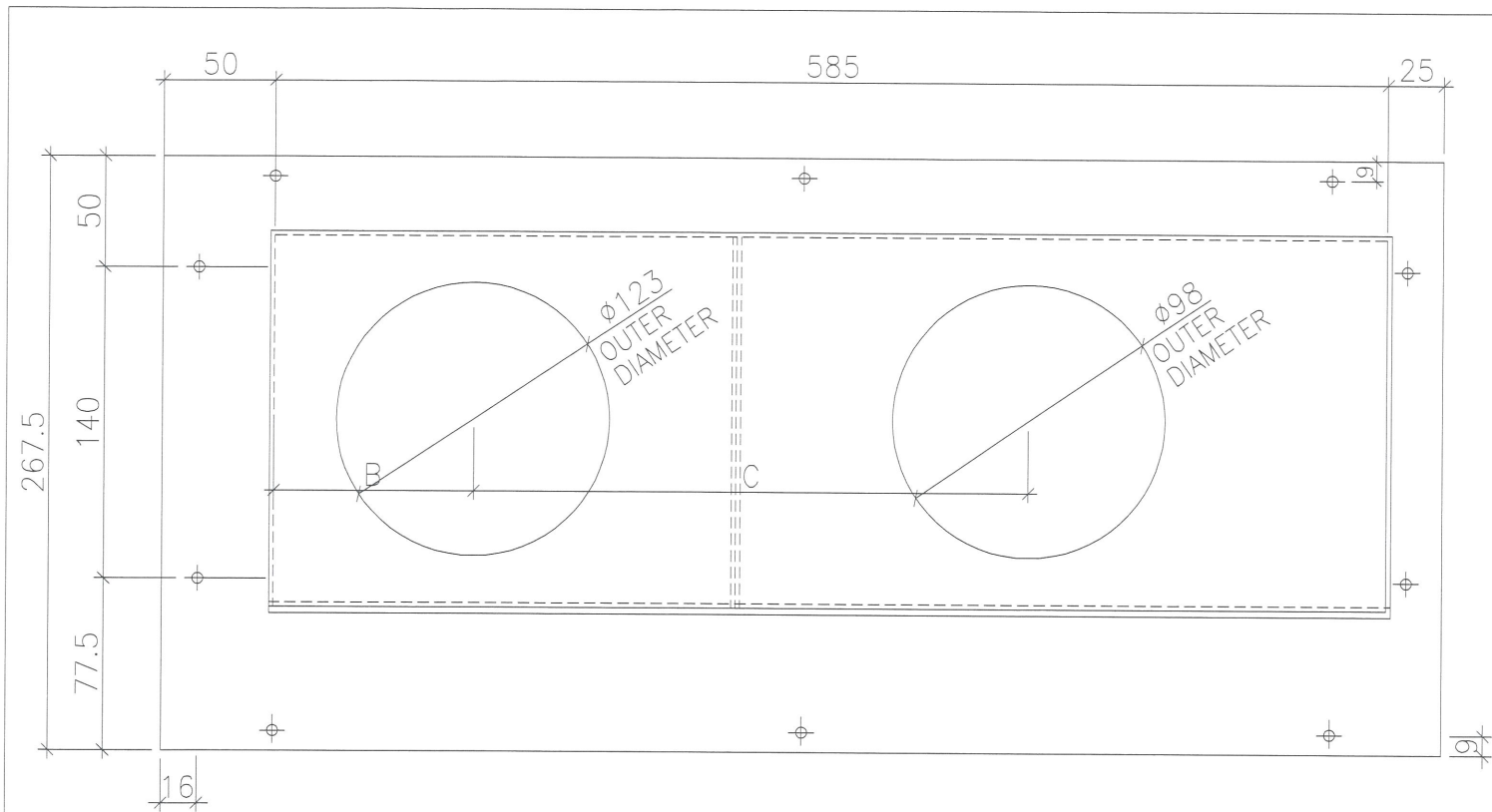
分發香港各部門：

- | | | | |
|-----------------------------------------------------------|------------------------------------------------------------|-----------------------------------------------------------|----------------------------------------------------------------|
| <input type="checkbox"/> 行政部 <input type="checkbox"/> 連附件 | <input type="checkbox"/> 會計部 <input type="checkbox"/> 連附件 | <input type="checkbox"/> 統籌部 <input type="checkbox"/> 連附件 | <input type="checkbox"/> 工程部地盤科文 <input type="checkbox"/> 連附件 |
| <input type="checkbox"/> 採購部 <input type="checkbox"/> 連附件 | <input type="checkbox"/> QS 部 <input type="checkbox"/> 連附件 | <input type="checkbox"/> 維修部 <input type="checkbox"/> 連附件 | <input type="checkbox"/> 其他 _____ <input type="checkbox"/> 連附件 |

傳遞編號：

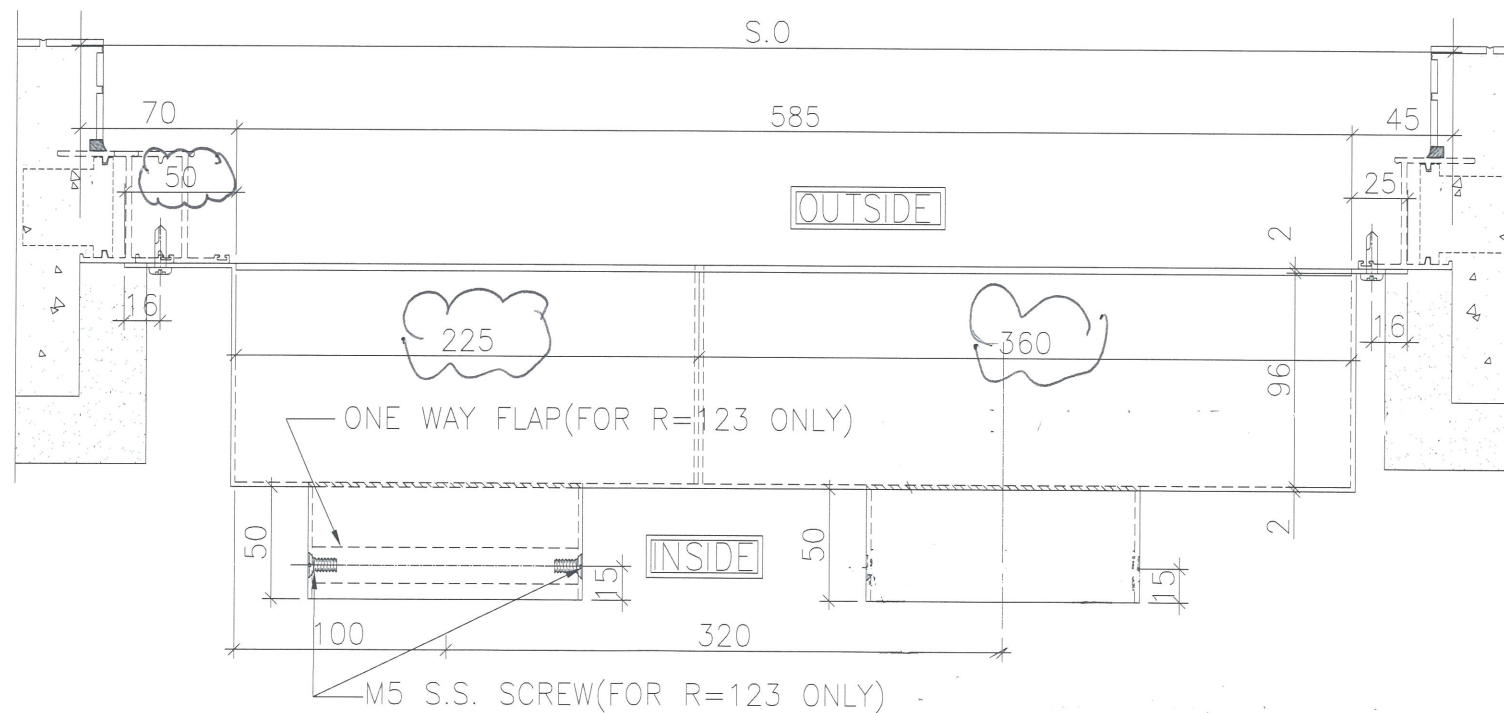
發件人簽署：

項目經理簽署：



M5平頭孔
(只適用於
R=123mm)
開孔位置為
唯咀的中間。

FOR R=98, EQ=27
FOR R=123, EQ=14.5



因撞障,重做

B.D. REF :

CLIENT :
信和置業有限公司
Sino Land Company Limited

ARCHITECT :
WONG TUNG & PARTNERS LIMITED
ARCHITECTS & PLANNERS

MAIN CONTRACTOR :
CR Construction Company Limited

STRUCTURAL ENGINEER :
AECOM

FACADE CONSULTANT:

- NOTE :
1. ALL DIMENSIONS ARE IN mm.
 2. ALL ELEVATIONS ARE VIEWED FROM OUTSIDE.
 3. ALL DIMENSIONS TO BE VERIFIED ON SITE BEFORE FABRICATION.
- LEGEND :
- (X1) --- DETAIL MARK NO.
 - (X001) --- REFER SHEET NO.
1. F.F.L. --- FINISHED FLOOR LEVEL
 2. S.F.L. --- STRUCTURAL FLOOR LEVEL
 3. (R) --- REVERSED DETAIL

NO.	DATE	REVISED	BY

JOB NO. : J-837
PROJECT :
URA KWUN TONG TOWN CENTRE
REDEVELOPMENT (AREA 2 & 3) AT
NKIL 6514, KWUN TONG, KOWLOON

TITLE :
TOWER AIR PLENUM BOX SCHEDULE
(PRECAST FOR KITCHEN)

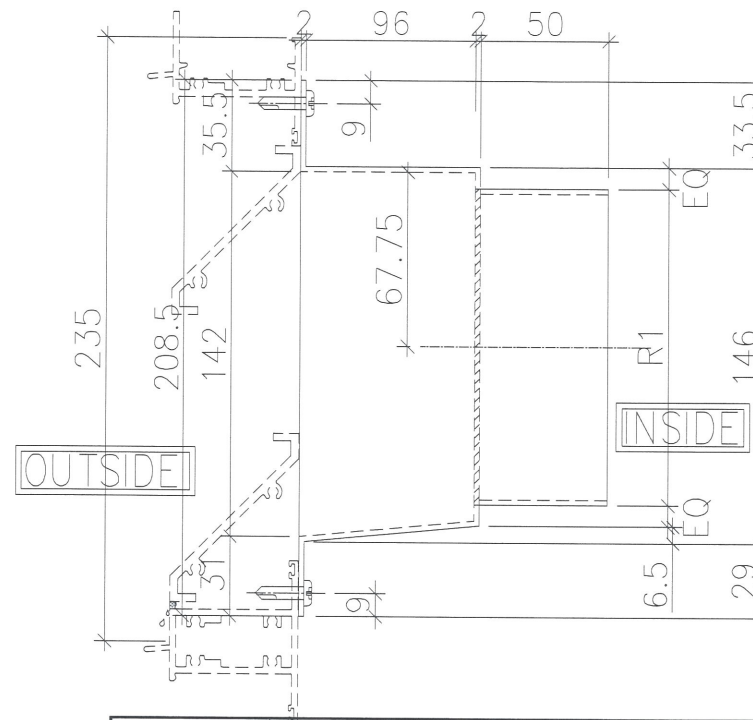
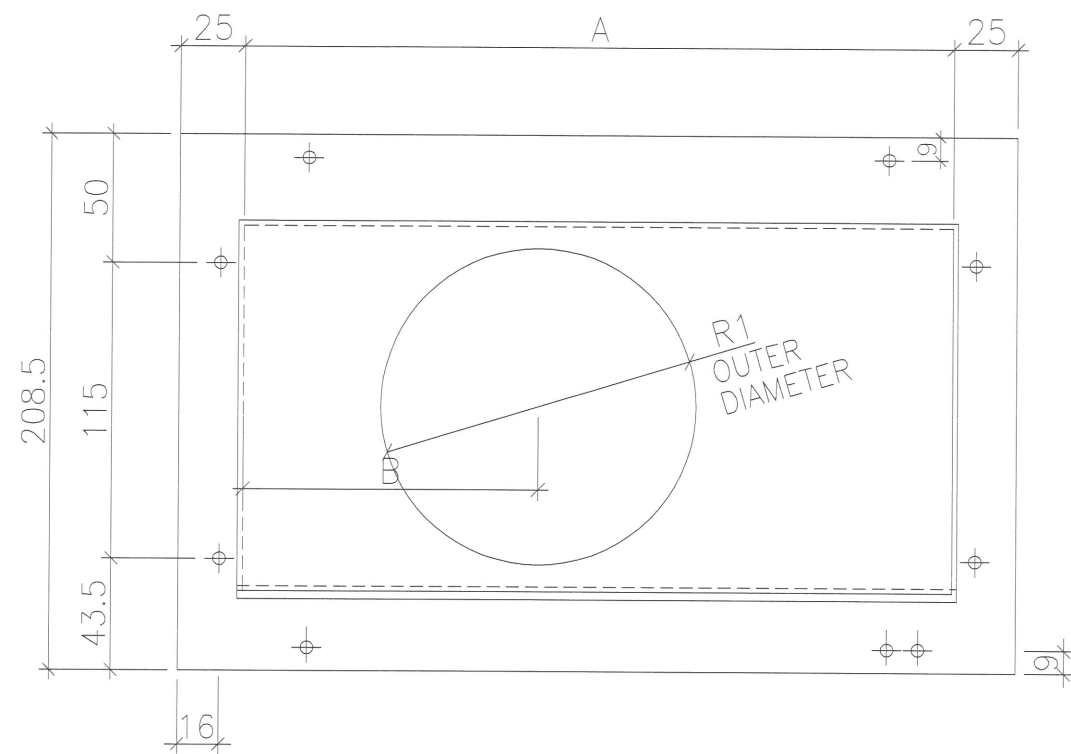
DATE : 04-JUL-18 SCALE : 1:##

DRAWN BY : Zeng CHECKED BY : DW

美特鋁質有限公司
MIDI ALUMINIUM FABRICATOR LTD.
Units 6-8, Sunray Industrial Centre, 1/F
610 Cha Kwo Ling Road, Kowloon
Tel:23489211-4 Fax:(852)27727666

BOX NO.	QTY.	LOCATION	WINDOW NO.
T3P/D-K	40	6F~51F	T3W/D-2

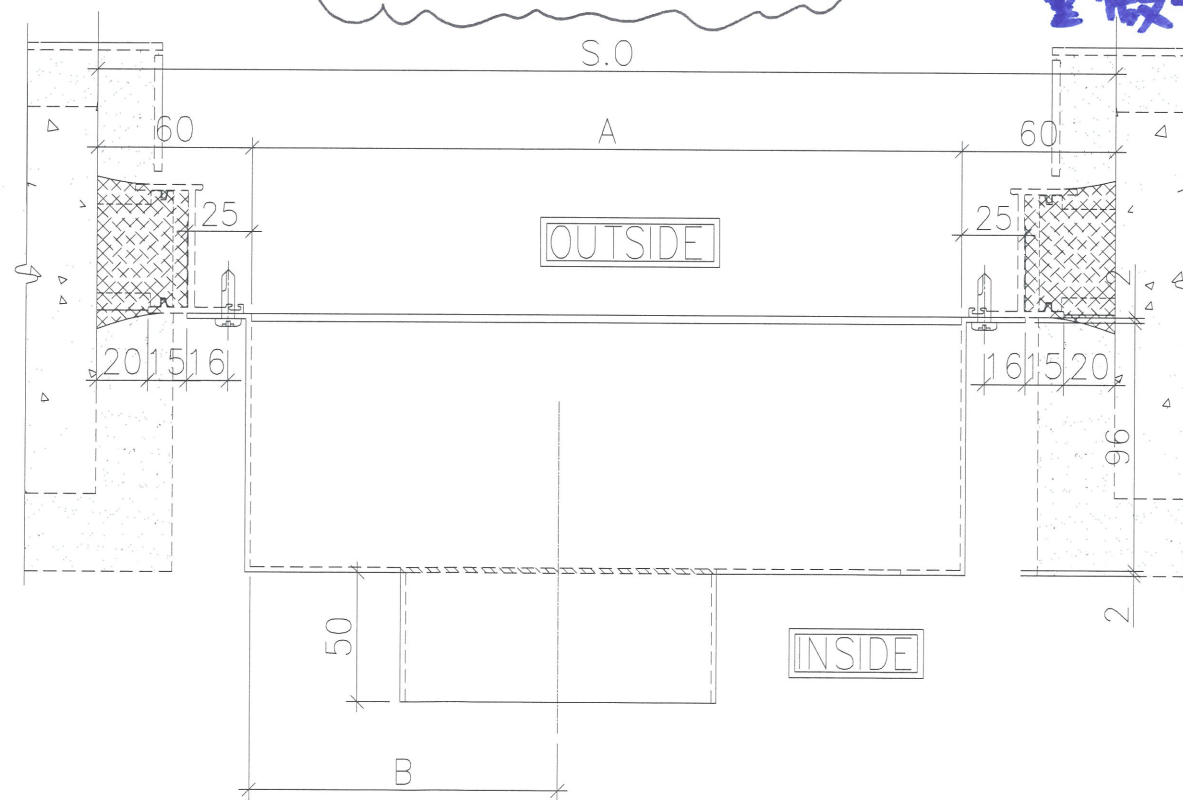
DWG NO. : J837- PB-2103A REV. : -



FOR R1=98,EQ=20.75
FOR R1=123,EQ=8.25

重做 TIP/A-B

8/F
重做 →



BOX NO.	S. O	A	B	R1	QTY.	LOCATION	WINDOW NO.
T1P/C-B1	585	465	315	123	39	6F~50F	T1W/C-2
T1P/C-B2	550	430	355	123	39	6F~50F	T1W/C-3
T1P/A-B	640	520	75	123	38	6F~49F	T1W/A-2
T1P/H-B1	550	430	355	123	39	6F~50F	T1W/H-2
T1P/H-B2	585	465	315	123	39	6F~50F	T1W/H-1
T1P/G-B1	640	520	370	123	39	6F~50F	T1W/G-3
T1P/G-B2	515	395	320	123	39	6F~50F	T1W/G-2
T2P/N-B	640	520	395	123	43	6F~55F	T2W/N-2
T2P/A-B2	640	520	370	123	43	6F~55F	T2W/A-5
T2P/A-B1	640	520	150	123	43	6F~55F	T2W/A-4
T2P/B-B1	640	520	370	123	43	6F~55F	T2W/B-2
T2P/B-B2	640	520	150	123	43	6F~55F	T2W/B-1
T3P/E-B1	640	520	150	123	41	6F~52F	T3W/E-1
T3P/E-B2	585	465	315	123	41	6F~52F	T3W/E-2
T3P/A-B1	640	520	150	123	41	6F~52F	T3W/A-2
T3P/B-B1	640	520	370	123	41	6F~52F	T3W/B-2
T3P/A-B2	505	385	235	123	41	6F~52F	T3W/A-3
T3P/B-B2	640	520	150	123	41	6F~52F	T3W/B-1
T5P/A-B1	640	520	420	98	38	7F~50F	T5W/A-4
T5P/M-B1	640	520	150	123	39	6F~50F	T5W/M-2
T5P/M-B2	640	520	370	123	39	6F~50F	T5W/M-1
T5P/L-B1	550	430	305	123	39	6F~50F	T5W/L-4
T5P/L-B2	585	465	150	123	39	6F~50F	T5W/L-3
T5P/F-B	585	465	150	123	40	6F~51F	T5W/F-2
T5P/G-B	640	520	200	123	39	6F~50F	T5W/G-2

B.D. REF :

CLIENT : 信和置業有限公司 Sino Land Company Limited

ARCHITECT : WONG TUNG & PARTNERS LIMITED ARCHITECTS & PLANNERS

MAIN CONTRACTOR : CR Construction Company Limited

STRUCTURAL ENGINEER : AECOM

FACADE CONSULTANT :

NOTE :

- ALL DIMENSIONS ARE IN mm.
- ALL ELEVATIONS ARE VIEWED FROM OUTSIDE.
- ALL DIMENSIONS TO BE VERIFIED ON SITE BEFORE FABRICATION.

LEGEND :

(x1) --- DETAIL MARK NO.
(x001) --- REFER SHEET NO.

- F.F.L. --- FINISHED FLOOR LEVEL
- S.F.L. --- STRUCTURAL FLOOR LEVEL
- (R) --- REVERSED DETAIL

NO.	DATE	REVISD	BY
C	2019/4/1	GENERAL REVISION	Zeng
B	2019/3/4	GENERAL REVISION	Zeng
A	2019/2/13	GENERAL REVISION	Zeng

JOB NO. : J-837

PROJECT : URA KWUN TONG TOWN CENTRE REDEVELOPMENT (AREA 2 & 3) AT NKIL 6514, KWUN TONG, KOWLOON

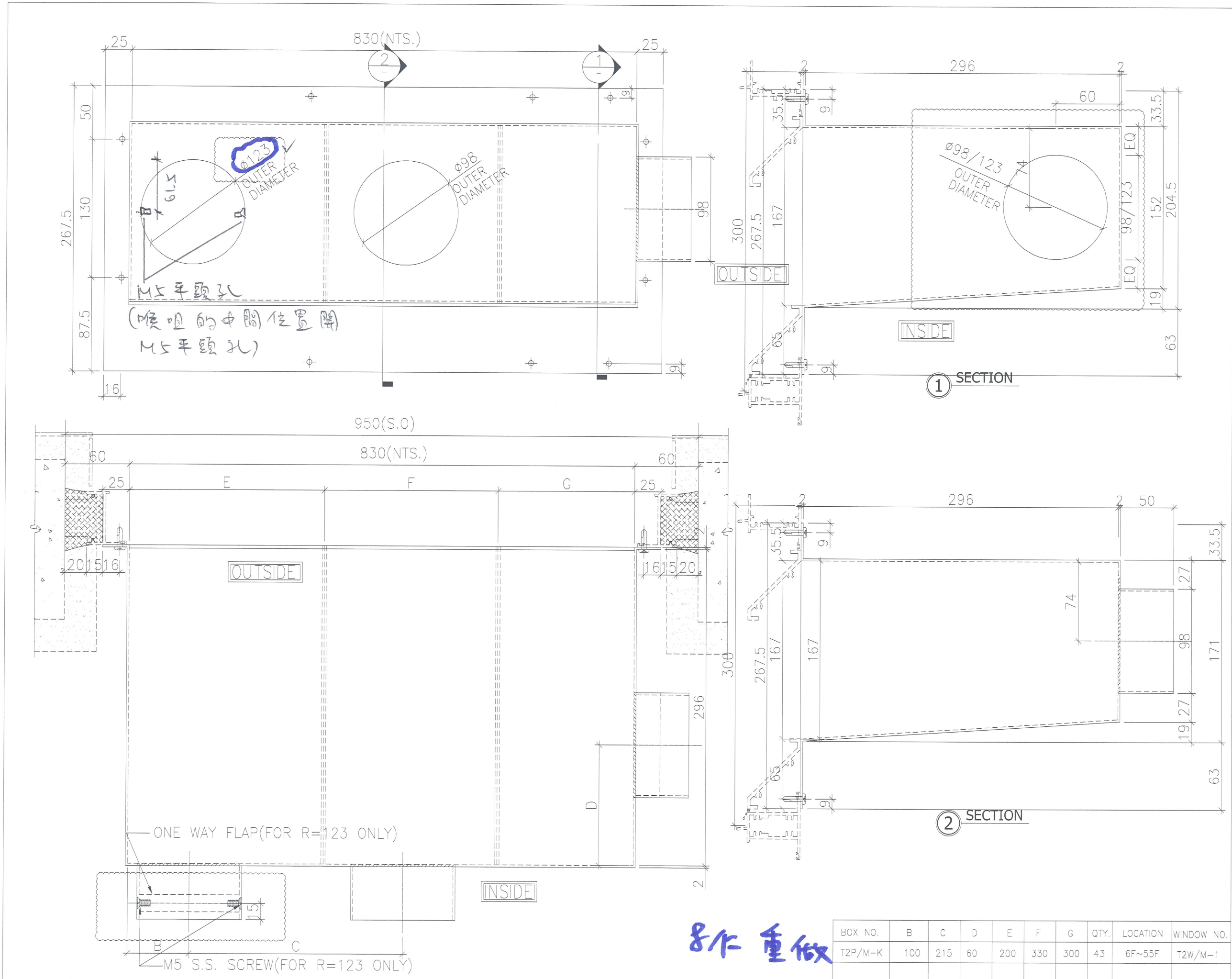
TITLE : TOWER AIR PLENUM BOX SCHEDULE (INSITU FOR BATHROOM)

DATE : 04-JUL-18 SCALE : 1:##

DRAWN BY : Zeng CHECKED BY : DW

美特鋁質有限公司
MIDI ALUMINIUM FABRICATOR LTD.
Units 6-8, Sunray Industrial Centre, 1/F
610 Cha Kwo Ling Road, Kowloon
Tel:23489211-4 Fax:(852)2727666

DWG NO. : JB37- PB-2104 REV. : C



8作重做

B.D. REF :

CLIENT :
 信和置業有限公司
 Sino Land Company Limited

ARCHITECT :
 WONG TUNG & PARTNERS LIMITED
 ARCHITECTS & PLANNERS

MAIN CONTRACTOR :
 CR Construction Company Limited

STRUCTURAL ENGINEER :
 AECOM

FACADE CONSULTANT:

NOTE :
 1. ALL DIMENSIONS ARE IN mm.
 2. ALL ELEVATIONS ARE VIEWED FROM OUTSIDE.
 3. ALL DIMENSIONS TO BE VERIFIED ON SITE BEFORE FABRICATION.

LEGEND :
 DETAIL MARK NO.
 REFER SHEET NO.

1. F.F.L. --- FINISHED FLOOR LEVEL
 2. S.F.L. --- STRUCTURAL FLOOR LEVEL
 3. --- REVERSED DETAIL

B	2019/4/1	GENERAL REVISION	Zeng
A	2019/2/13	GENERAL REVISION	Zeng
NO.	DATE	REVISED	BY

JOB NO. : J-837
 PROJECT :
 URA KWUN TONG TOWN CENTRE
 REDEVELOPMENT (AREA 2 & 3) AT
 NKIL 6514, KWUN TONG, KOWLOON

TITLE :
 TOWER AIR PLENUM BOX SCHEDULE
 (INSITU FOR KITCHEN)

DATE : 04-JUL-18 SCALE : 1:##
 DRAWN BY : Zeng CHECKED BY : DW

BOX NO.	B	C	D	E	F	G	QTY.	LOCATION	WINDOW NO.
T2P/M-K	100	215	60	200	330	300	43	6F~55F	T2W/M-1

英特鋁質有限公司
 MIDI ALUMINUM FABRICATOR LTD.
 Units 6-8, Sunray Industrial Centre, 1/F
 610 Cha Kwo Ling Road, Kowloon
 Tel: 23489211-4 Fax: (852) 27727666
 DWG NO. : JB37-PB-2116 REV. : B