

工程指示 / 要求簡箋(E.I.)

工程指示編號：EI / 0233 / 19

修改版次：D

工程編號：J - 837

工程名稱：觀塘裕民坊

工程項目：Plenum Box 大圖 修改

收件人：Maggie

發件人：Bessie Lau

日期：06/03/2019

要求提供 / 確認 事項：

- | | | |
|------------------------------------|-------------------------------------|-------------------------------|
| <input type="checkbox"/> 初步鋁料 B.M. | <input type="checkbox"/> 加工拆圖，然後生產 | <input type="checkbox"/> 尺寸表 |
| <input type="checkbox"/> 正式鋁料 B.M. | <input type="checkbox"/> 技術上資料 / 指示 | <input type="checkbox"/> 報價 |
| <input type="checkbox"/> 配件 B.M. | <input type="checkbox"/> 樣辦或貨品說明書 | <input type="checkbox"/> 分判合約 |
| <input type="checkbox"/> 其他：_____ | | |
- 內容：

現確定圖號 PB-2104、PB-2118、PB-2122 圈起的資料要修改。

已於 3 月 4 日把手寫的修改資料微信給鴻鵠吳先生。

此 EI 及 CAD 檔已電郵給鴻鵠吳先生。

請在 _____ 前完成上列要求。

附有關圖紙 / 文件：

以上項目為：

- 原合約工程包 原合約工程加 / 減賬 新工程報價

原因：-

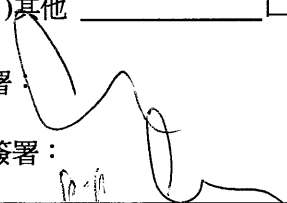
分發東莞各部門：

- () 生產技術總監 連附件 () 技術部 連附件 () 生產部 連附件 () 機械設計部 連附件
 () 採購部 連附件 () 生產統籌部 連附件
 () 質檢部 連附件 () 會計部 連附件 () 報關組 連附件 () 其他 _____ 連附件

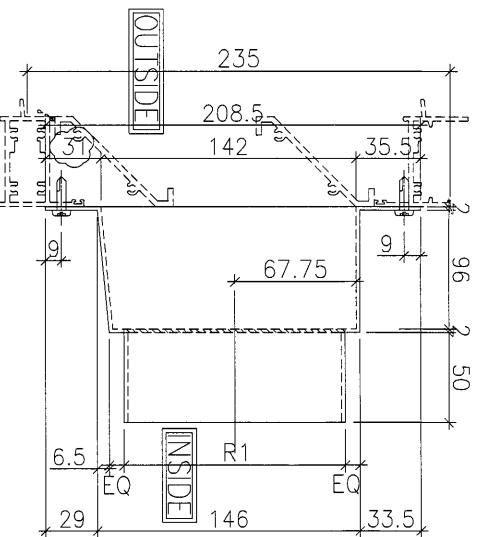
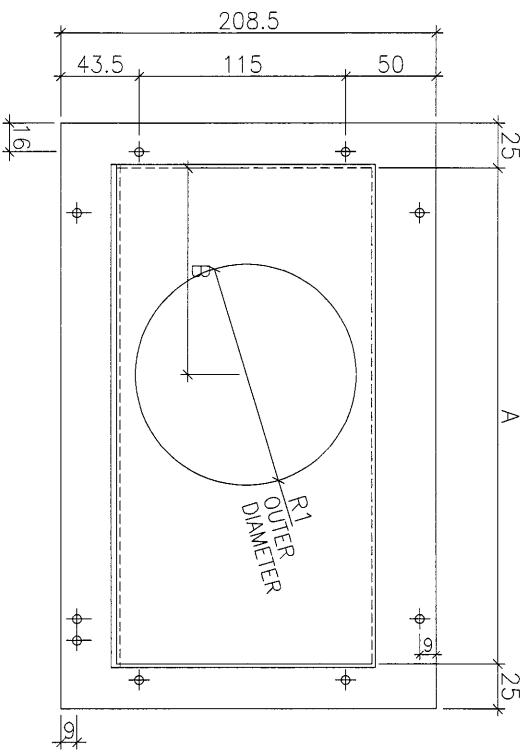
分發香港各部門：

- () 行政部 連附件 () 會計部 連附件 () 統籌部 連附件 () 工程部地盤科文 連附件
 () 採購部 連附件 () QS 部 連附件 () 維修部 連附件 () 其他 _____ 連附件

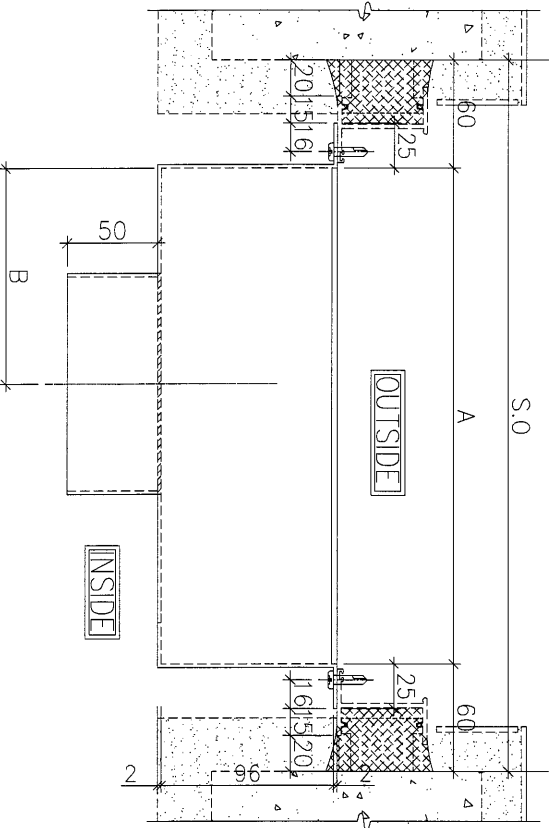
傳遞編號：

發件人簽署：


項目經理簽署：

FOR R1=98, EQ=20.75
FOR R1=123, EQ=8.25



BOX NO.	S.O	A	B	R1	QTY.	LOCATION	WINDOW NO.
T1P/C-B1	585	465	345	123	39	6F~50F	T1W/C-2
T1P/C-B2	550	430	355	123	39	6F~50F	T1W/C-3
T1P/A-B	640	520	150	123	38	6F~49F	T1W/A-2
T1P/H-B1	550	430	355	123	39	6F~50F	T1W/H-2
T1P/H-B2	585	465	315	123	39	6F~50F	T1W/H-1
T1P/G-B1	640	520	370	123	39	6F~50F	T1W/G-3
T1P/G-B2	515	395	320	123	39	6F~50F	T1W/G-2
T2P/N-B	640	520	395	123	43	6F~55F	T2W/N-2
T2P/A-B2	640	520	370	123	43	6F~55F	T2W/A-5
T2P/A-B1	640	520	150	123	43	6F~55F	T2W/A-4
T2P/B-B1	640	520	370	123	43	6F~55F	T2W/B-2
T2P/B-B2	640	520	150	123	43	6F~55F	T2W/B-1
T3P/E-B1	640	520	150	123	41	6F~52F	T3W/E-1
T3P/E-B2	585	465	315	123	41	6F~52F	T3W/E-2
T3P/A-B1	640	520	150	123	41	6F~52F	T3W/A-2
T3P/B-B1	640	520	370	123	41	6F~52F	T3W/B-2
T3P/A-B2	505	385	235	123	41	6F~52F	T3W/A-3
T3P/B-B2	640	520	150	123	41	6F~52F	T3W/B-1
T5P/A-B1	640	520	420	98	38	7F~50F	T5W/A-4
T5P/M-B1	640	520	150	123	39	6F~50F	T5W/M-2
T5P/M-B2	640	520	370	123	39	6F~50F	T5W/M-1
T5P/L-B1	550	430	305	123	39	6F~50F	T5W/L-4
T5P/L-B2	585	465	150	123	39	6F~50F	T5W/L-3
T5P/F-B	585	465	150	123	40	6F~51F	T5W/F-2
T5P/G-B	640	520	200	123	39	6F~50F	T5W/G-2

B.O. REF :

CLIENT : 皓和置業有限公司
Sino Land Company Limited

ARCHITECT : WONG TUNG & PARTNERS LIMITED
ARCHITECTS & ENGINEERS

MAIN CONTRACTOR :

CRK Construction Company Limited

STRUCTURAL ENGINEER :

AECOM

FAÇADE CONSULTANT :

NOTE :

1. ALL DIMENSIONS ARE IN mm.
 2. ALL ELEVATIONS ARE VIEWED FROM OUTSIDE BEFORE FABRICATION.
 3. ALL DIMENSIONS TO BE MARKED ON SITE.
- LEGEND :
- (X) DETAIL MARK NO.
 - (R) REBAR SHEET NO.
 - 1. F.F.L. -- FINISHED FLOOR LEVEL
 - 2. S.F.L. -- STRUCTURAL FLOOR LEVEL
 - 3. (R) -- REVERSED DETAIL

NO.	DATE	BY	CHECKED BY	DATE
1	20/02/15	WONG TUNG	WONG TUNG	20/02/15
2	20/02/15	WONG TUNG	WONG TUNG	20/02/15

JOB NO. : J-837
PROJECT : JVA KWUN TONG TOWN CENTRE
REDEVELOPMENT (AREA 2 & 3) AT
NHL 6514, KWUN TONG, KOWLOON

TOWER AIR PLENUM BOX SCHEDULE
(INSITU FOR BATHROOM)

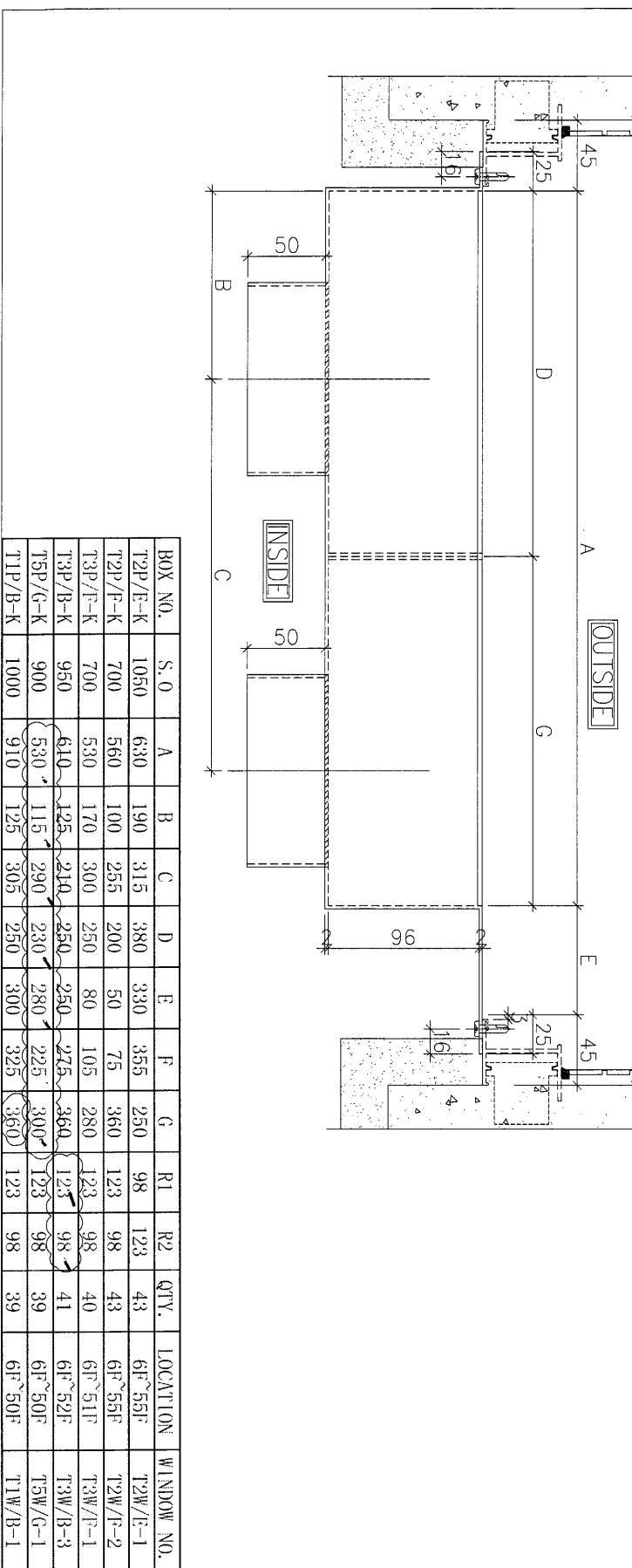
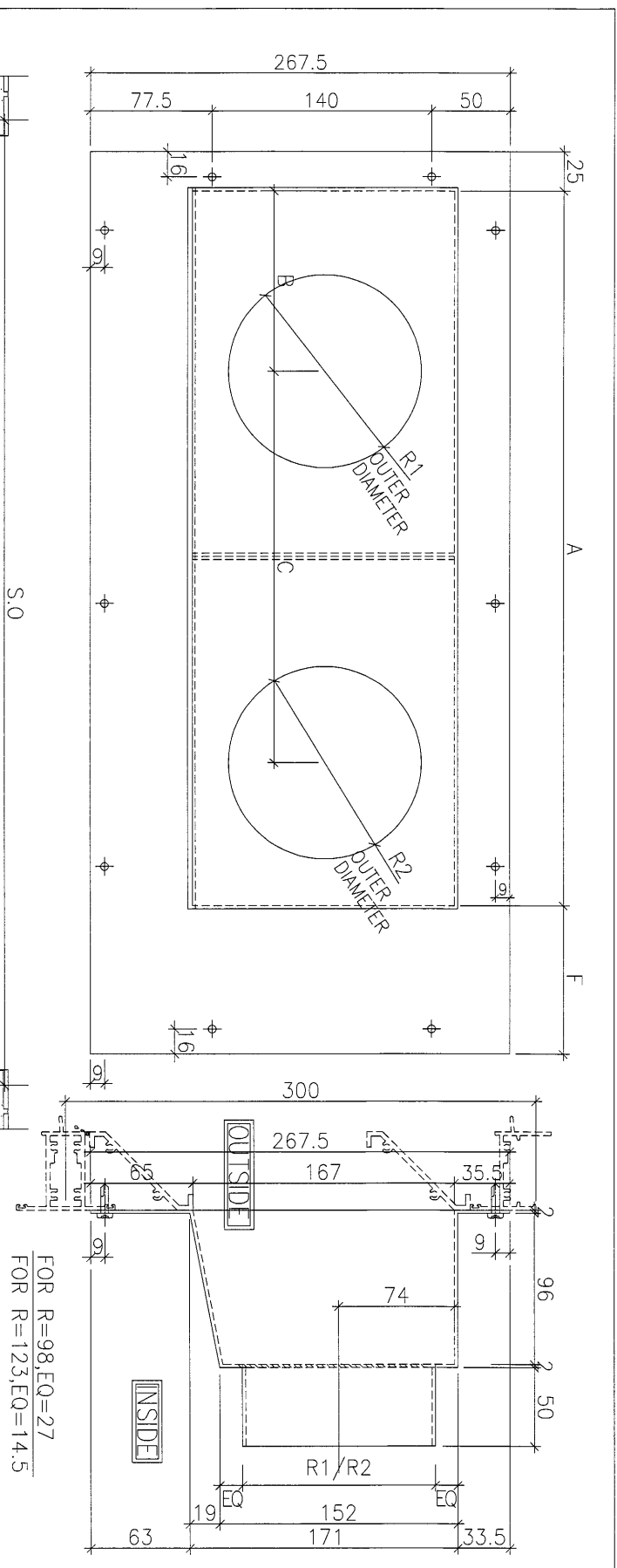
DATE : 04-JUL-18 SCALE : 1:4#

DRAWN BY : Zeng CHECKED BY : DW

皓和置業有限公司
Sino Land Company Limited

皓和置業有限公司
Sino Land Company Limited

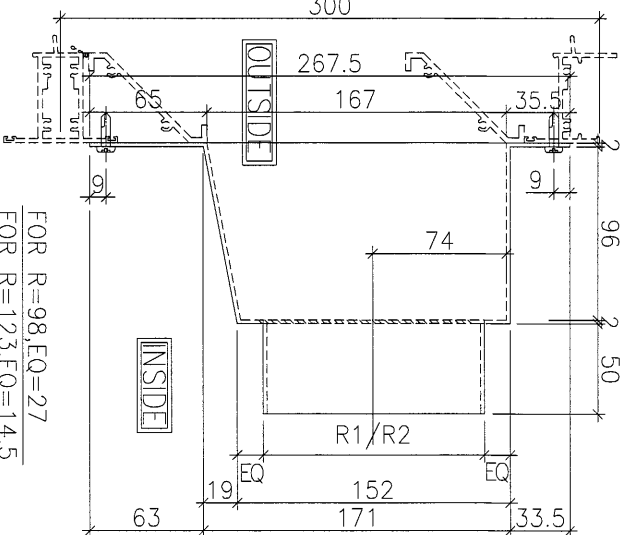
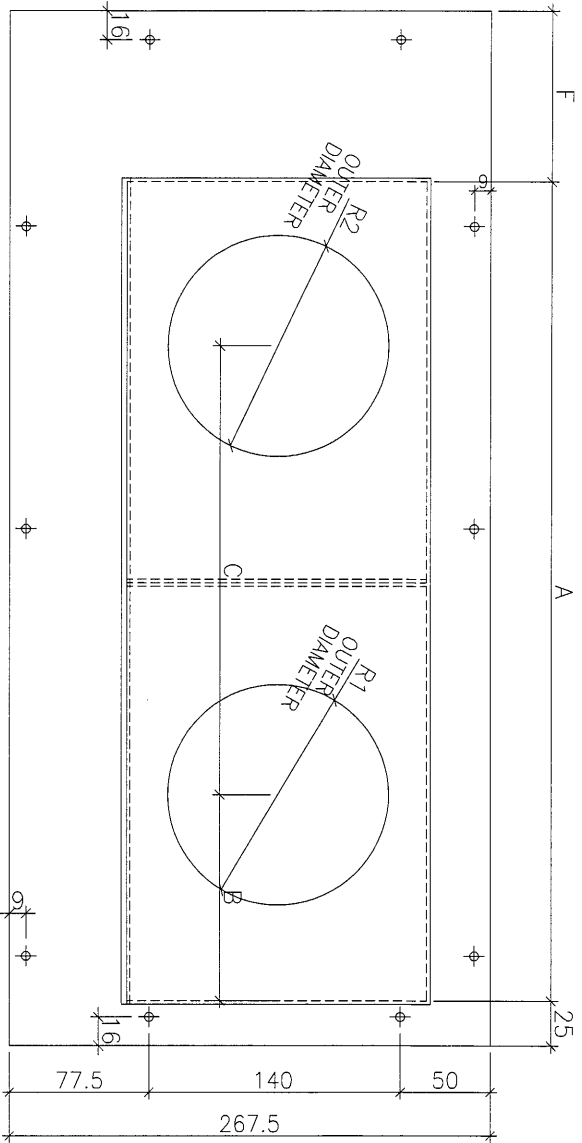
DWG NO. : 837-PB-2104 REV. : B



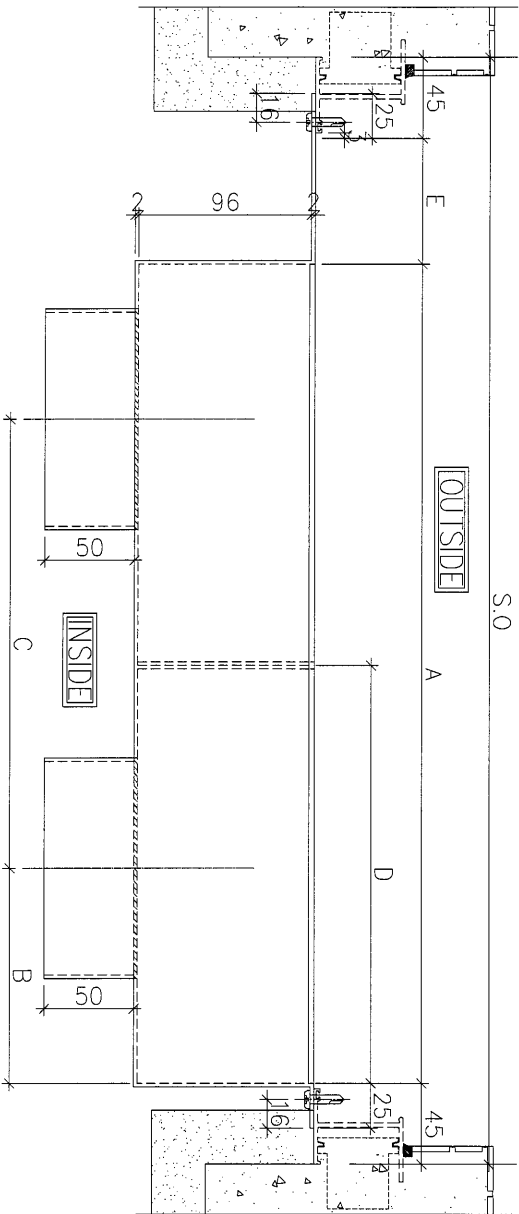
BOX NO.	S.O	A	B	C	D	E	F	G	R1	R2	QTY.	LOCATION	WINDOW NO.
T2P/E-K	1050	630	190	315	380	330	355	250	98	123	43	6F ^{55F}	T2W/R-1
T2P/F-K	700	560	100	255	200	50	75	360	123	98	43	6F ^{55F}	T2W/F-2
T3P/F-K	700	530	170	300	250	80	105	280	123	98	40	6F ^{51F}	T3W/F-1
T3P/B-K	950	610	125	210	250	250	275	360	123	98	41	6F ^{52F}	T3W/B-3
T5P/G-K	900	530	115	290	230	280	225	300	123	98	39	6F ^{50F}	T5W/C-1
T1P/B-K	1000	910	125	305	250	300	325	360	123	98	39	6F ^{50F}	T1W/B-1

FOR R=98,EQ=27
FOR R=123,EQ=14.5

CLIENT : 信和置業有限公司 Sino Land Company Limited		ARCHITECT : WONG TONG & PARTNERS ARCHITECTS & PLANNERS		MAIN CONTRACTOR : CR Construction Company Limited	
STRUCTURAL ENGINEER : AECOM		FAÇADE CONSULTANT : (Blank)		NOTE : 1. ALL DIMENSIONS ARE IN mm. 2. ALL ELEVATIONS ARE VIEWED FROM OUTSIDE. 3. ALL DIMENSIONS TO BE VERIFIED ON SITE BEFORE FABRICATION.	
LEGENO : (Symbol) DETAIL WORK NO. (Symbol) REFER SHEET NO. (Symbol) FINISHED FLOOR LEVEL (Symbol) STRUCTURAL FLOOR LEVEL (Symbol) REVERSED LEVEL		DATE : 04-JUL-18 SCALE : 1:## DRAWN BY : zeng CHECKED BY : DW		TOWER AIR PLENUM BOX SCHEDULE (PRECAST FOR KITCHEN)	
PROJECT : URA KWUN TONG TOWN CENTRE REDEVELOPMENT (AREA 2 & 3) AT NKLL 6514, KWUN TONG, KOWLOON		JOB NO. : J-8377		DWG NO. : 8377-PB-2118 REV. : A	



FOR R=98, EQ=27
FOR R=123, EQ=14.5



BOX NO.	S. O	A	B	C	D	E	R1	R2	QTY.	LOCATION	WINDOW NO.
T5P/N-K	700	510	100	225	200	100	123	98	39	6F~50F	T5W/N-3
T1P/F-K	700	510	260	160	330	100	98	123	39	6F~50F	T1W/F-1
T3P/L-K	900	640	125	200	250	170	123	98	41	6F~52F	T3W/L-1

B.O. REF :

CLIENT :
信和置業有限公司
Sino Land Company Limited

ARCHITECT :
WONG TUNG & PARTNERS LIMITED
ARCHITECTS & ENGINEERS

MAIN CONTRACTOR :
WT

STRUCTURAL ENGINEER :
CR Construction Company Limited

FAÇADE CONSULTANT :
ALCOM

NOTE:
1. ALL DIMENSIONS ARE IN MM.
2. ALL ELEVATIONS ARE VIEWED FROM OUTSIDE.
3. ALL DIMENSIONS TO BE CHECKED ON SITE BEFORE FABRICATION.

LEGEND:

- ①1 DETAIL MARK NO.
- ①20 REFER SHEET NO.
- 1. F.F.L -- FINISHED FLOOR LEVEL
- 2. S.F.L -- STRUCTURAL FLOOR LEVEL
- 3. Ⓜ -- REVERSED DETAIL

JOB NO. : J-837
PROJECT :
UIPA KWUN TONG TOWN CENTRE
REDEVELOPMENT (AREA 2 & 3) AT
NKIL 6514, KWUN TONG, KOWLOON

TOWER AIR PLENUM BOX SCHEDULE
(PRECAST FOR KITCHEN)

DATE : 04-JUL-18 SCALE : 1:##

DRAWN BY : Zeng CHECKED BY : JOW

美特銘置業有限公司
M.T.M. Architecture & Planning
610 Che Kwo Ling Road, Kowloon
Tel: 23489211-4 Fax: (852) 27277666
DWS NO. : 837-PB-2122 REV : A