



工程指示 / 要求簡箋(E.I.)

工程指示編號：EI / 0233 / 19

修改版次：A

工程編號：J - 837

工程名稱：觀塘裕民坊

工程項目：Plenum Box 大圖

收件人：Maggie

發件人：Bessie Lau

日期：22/02/2019

要求提供 / 確認 事項：

- | | | |
|------------------------------------|-------------------------------------|-------------------------------|
| <input type="checkbox"/> 初步鋁料 B.M. | <input type="checkbox"/> 加工拆圖，然後生產 | <input type="checkbox"/> 尺寸表 |
| <input type="checkbox"/> 正式鋁料 B.M. | <input type="checkbox"/> 技術上資料 / 指示 | <input type="checkbox"/> 報價 |
| <input type="checkbox"/> 配件 B.M. | <input type="checkbox"/> 樣辦或貨品說明書 | <input type="checkbox"/> 分判合約 |
| <input type="checkbox"/> 其他：_____ | | |

內容：

現附上更新的 Plenum Box 大圖。

1. 先做 8/F 辦房，其餘樓層暫停放行。8 樓沒有 Box no. T5P/C-K(圖號 PB-2121)，此 Box 高層才有。
2. 非開放式廚房的 box 可能要更改，所以暫停生產。要暫停的圖紙包括: PB2103、PB2106、PB2110~PB2113、PB2115、PB2116、PB2118~2120。(已在附件圖紙中標示"暫停")

已把 EI 連 CAD 檔電郵給鴻鵠吳先生。

請在 _____ 前完成上列要求。

附有關圖紙 / 文件：

以上項目為：

- 原合約工程包 原合約工程加 / 減賬 新工程報價

原因：- _____

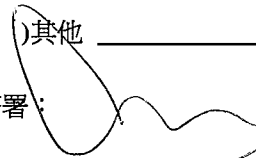
分發東莞各部門：

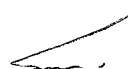
- () 生產技術總監 連附件 () 技術部 連附件 () 生產部 連附件 () 機械設計部 連附件
 () 採購部 連附件 () 生產統籌部 連附件
 () 質檢部 連附件 () 會計部 連附件 () 報關組 連附件 () 其他 _____ 連附件

分發香港各部門：

- () 行政部 連附件 () 會計部 連附件 () 統籌部 連附件 () 工程部地盤科文 連附件
 () 採購部 連附件 () QS 部 連附件 () 維修部 連附件 () 其他 _____ 連附件

傳遞編號：

發件人簽署：


項目經理簽署：


PROJECT :

URA KWUN TONG TOWN CENTRE
REDEVELOPMENT (AREA 2 & 3) AT NKIL 6514, KWUN TONG, KOWLOON

2

Open filter

T5J

T5B

T2J

T3J

T3G

TITLE : SHOP DRAWING FOR
ALUMINIUM AIR PLENUM BOX (FOR TOWER 1 TO TOWER 5) (FROM 6/F TO 55/F)

DATE: 22 - FEB - 2019

DRAWING SUBMISSION REGISTER

PROJECT: URA KWUN TONG TOWN CENTRE REDEVELOPMENT (AREA 2 & 3) AT NKIL 6514, KWUN TONG, KOWLOON	DATE OF ISSUE										SUBMISSION STATE (FOR B.D / A.S.D)			SUBMISSION STATE (FOR CLIENT / CONSULTANT)			SUBMISSION STATE (FOR ARCHITECT)			FABRICATION / CONSTRUCTION STATE								
	ISSUE	01	02									AP - APPROVED			AP - APPROVED			AP - APPROVED			ISSUE TO CHINA OFFICE	ISSUE TO SITE	ISSUE TO SUB-CONTRACTOR					
	DAY	22	13									AC - APPROVED SUB. TO CONDITION			AC - APPROVED SUB. TO CONDITION			AC - APPROVED SUB. TO CONDITION										
	MONTH	01	02									NA - NOT APPROVED			NA - NOT APPROVED			NA - NOT APPROVED										
	YEAR	19	19																									
DRAWING TITLE	DWG. NO.	REVISIONS										COMMENT DATE	REV.	STATE	COMMENT DATE	REV.	STATE	COMMENT DATE	REV.	STATE	REV.	DATE	REV.	DATE	REV.	DATE		
COVERPAGE	J-837-PB-0000	-	A																									
DRAWING SUBMISSION REGISTER	J-837-PB-0001	-	A																									
ALUMINIUM AIR PLENUM BOX SCHEDULE	J-837-PB-2101	-	A																									
ALUMINIUM AIR PLENUM BOX SCHEDULE	J-837-PB-2102	-	A																									
ALUMINIUM AIR PLENUM BOX SCHEDULE	J-837-PB-2103	-	A																									
ALUMINIUM AIR PLENUM BOX SCHEDULE	J-837-PB-2104	-	A																									
ALUMINIUM AIR PLENUM BOX SCHEDULE	J-837-PB-2105	-	A																									
ALUMINIUM AIR PLENUM BOX SCHEDULE	J-837-PB-2106	-	A																									
ALUMINIUM AIR PLENUM BOX SCHEDULE	J-837-PB-2107	-	A																									
ALUMINIUM AIR PLENUM BOX SCHEDULE	J-837-PB-2108	-	A																									
ALUMINIUM AIR PLENUM BOX SCHEDULE	J-837-PB-2109	-	A																									
ALUMINIUM AIR PLENUM BOX SCHEDULE	J-837-PB-2110	-	A																									
ALUMINIUM AIR PLENUM BOX SCHEDULE	J-837-PB-2111	-	A																									
ALUMINIUM AIR PLENUM BOX SCHEDULE	J-837-PB-2112	-	A																									
ALUMINIUM AIR PLENUM BOX SCHEDULE	J-837-PB-2113	-	A																									
ALUMINIUM AIR PLENUM BOX SCHEDULE	J-837-PB-2114	-	A																									
ALUMINIUM AIR PLENUM BOX SCHEDULE	J-837-PB-2115	-	A																									
ALUMINIUM AIR PLENUM BOX SCHEDULE	J-837-PB-2116	-	A																									
ALUMINIUM AIR PLENUM BOX SCHEDULE	J-837-PB-2117	-	A																									
ALUMINIUM AIR PLENUM BOX SCHEDULE	J-837-PB-2118	-																										
ALUMINIUM AIR PLENUM BOX SCHEDULE	J-837-PB-2119	-																										
ALUMINIUM AIR PLENUM BOX SCHEDULE	J-837-PB-2120	-																										
ALUMINIUM AIR PLENUM BOX SCHEDULE	J-837-PB-2121	-																										
ALUMINIUM AIR PLENUM BOX SCHEDULE	J-837-PB-2122	-																										
FULL PLAN LAYOUT(FOR T1 6/F FLOOR PLAN)	J-837-PB-3101	-	-																									
FULL PLAN LAYOUT(FOR T1 TYPICAL FLOOR PLAN)	J-837-PB-3102	-	-																									
FULL PLAN LAYOUT(FOR T1 50/F FLOOR PLAN)	J-837-PB-3103	-	-																									
FULL PLAN LAYOUT(FOR T2 6/F FLOOR PLAN)	J-837-PB-3201	-	-																									
FULL PLAN LAYOUT(FOR T2 TYPICAL FLOOR PLAN)	J-837-PB-3202	-	-																									
FULL PLAN LAYOUT(FOR T2 55/F FLOOR PLAN)	J-837-PB-3203	-	A																									
FULL PLAN LAYOUT(FOR T3 6/F FLOOR PLAN)	J-837-PB-3301	-	-																									
FULL PLAN LAYOUT(FOR T3 TYPICAL FLOOR PLAN)	J-837-PB-3302	-	-																									
FULL PLAN LAYOUT(FOR T3 52/F FLOOR PLAN)	J-837-PB-3303	-	-																									
FULL PLAN LAYOUT(FOR T5 6/F FLOOR PLAN)	J-837-PB-3501	-	-																									
LOW ZONE LAYOUT(FOR T5 7/F-21/F FLOOR PLAN)	J-837-PB-3502	-	-																									
HIGH ZONE LAYOUT(FOR T5 22/F-26F&28/F-50F FLOOR PLAN)	J-837-PB-3503	-	-																									
FULL PLAN LAYOUT(FOR T5 51/F FLOOR PLAN)	J-837-PB-3504	-	A																									

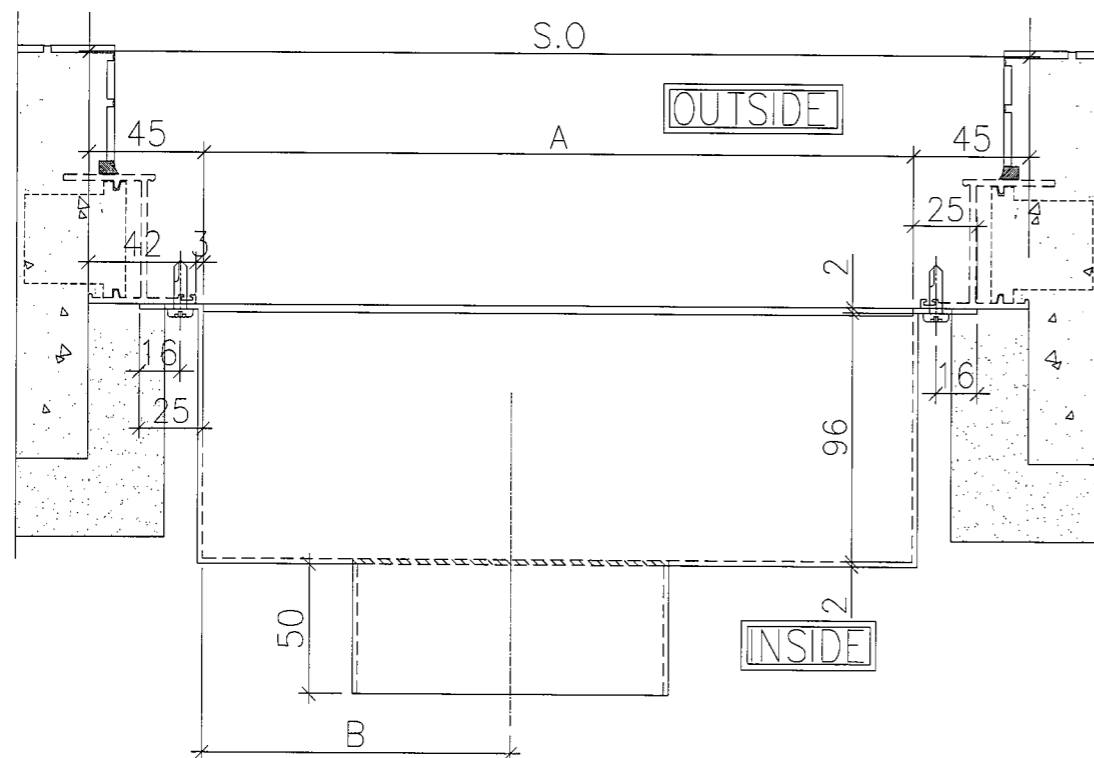
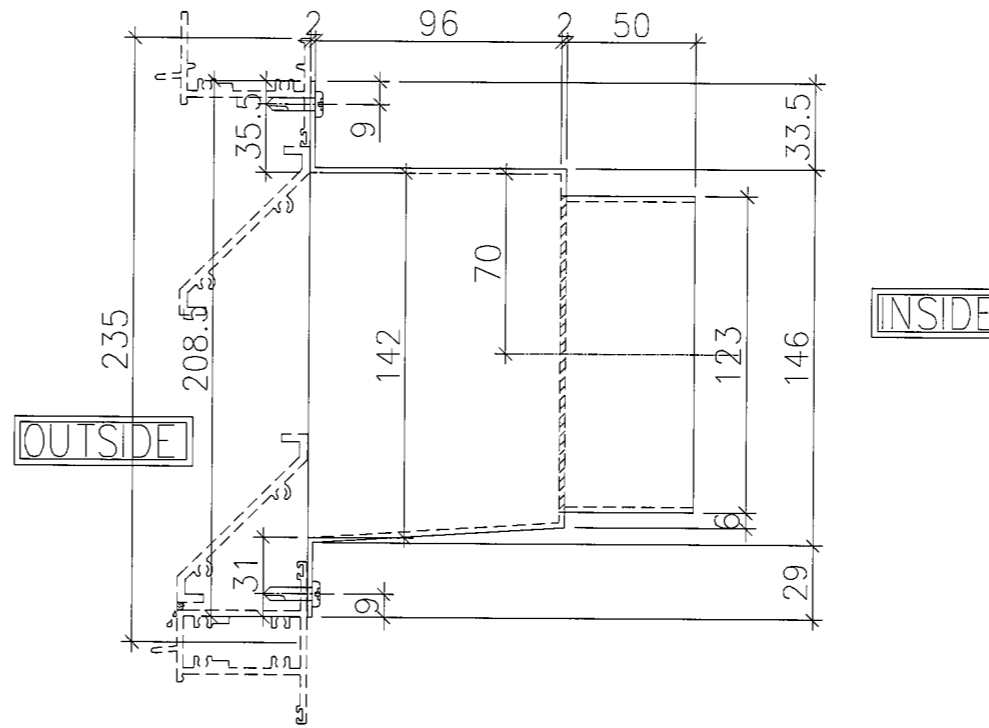
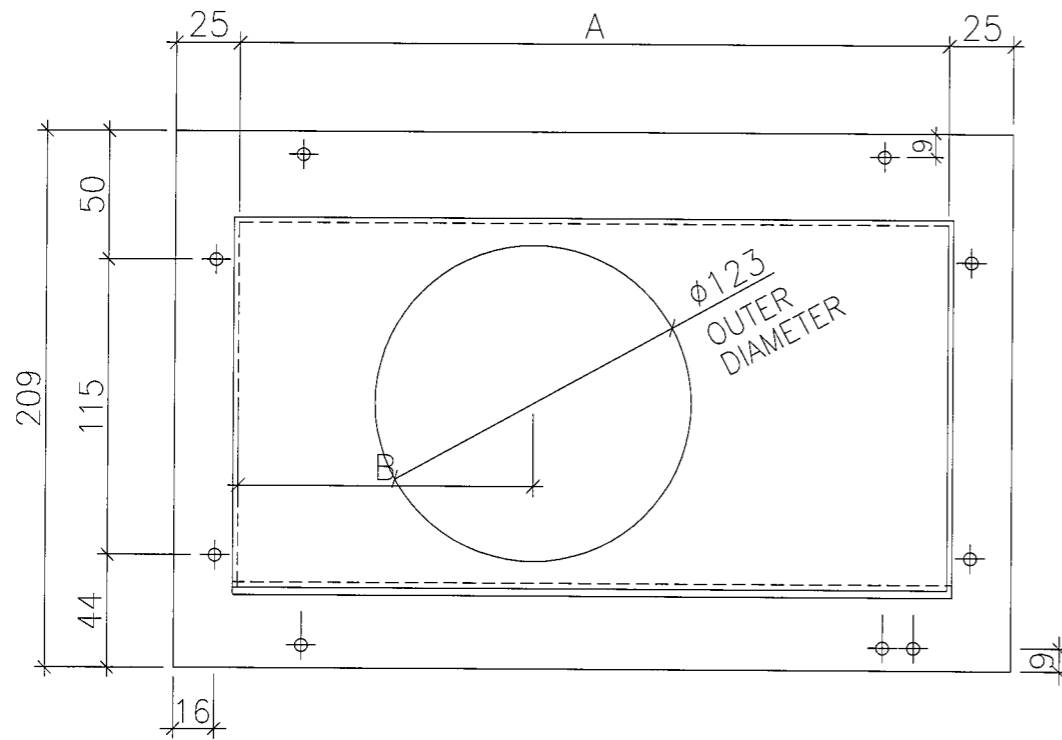
IN-HOUSE DESIGN CHECKER



美特鋁質有限公司
MIDI ALUMINIUM FABRICATOR LTD.

Units 6-8, Sunray Industrial Centre, 1/F
610 Cha Kwo Ling Road, Kowloon
Tel: 23469211-4 Fax: (852) 27727666

DWG NO. : J-837-PB-0001 REV. : A




BOX NO.	S. O	A	B	QTY.	WINDOW NO.
T1P/L-B	600	510	150	39	TIW/L-2
T1P/M-B	600	510	360	39	TIW/M-1
T1P/E-B	600	510	150	39	TIW/E-1
T2P/F-B	600	510	360	43	T2W/F-1
T2P/E-B	600	510	150	43	T2W/E-2
T3P/M-B	600	510	360	41	T3W/M-1
T3P/L-B	600	510	150	41	T2W/L-2
T5P/H-B	600	510	360	39	T5W/H-4
T5P/E-B	600	510	360	40	T5W/E-1
T5P/D-B	600	510	150	40	T5W/D-2

B.D. REF :

CLIENT :
 信和置業有限公司
 Sino Land Company Limited

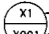
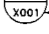
ARCHITECT :
 WONG TUNG & PARTNERS LIMITED
 ARCHITECTS & PLANNERS


MAIN CONTRACTOR :
 CR Construction Company Limited

STRUCTURAL ENGINEER :


FACADE CONSULTANT:

NOTE:
 1. ALL DIMENSIONS ARE IN mm.
 2. ALL ELEVATIONS ARE VIEWED FROM OUTSIDE.
 3. ALL DIMENSIONS TO BE VERIFIED ON SITE BEFORE FABRICATION.

LEGEND:
 DETAIL MARK NO.
 REFER SHEET NO.
 1. F.F.L. --- FINISHED FLOOR LEVEL
 2. S.F.L. --- STRUCTURAL FLOOR LEVEL
 3. (R) --- REVERSED DETAIL

NO.	DATE	GENERAL REVISION	REVISOR	BY
A	2019/2/13		Zeng	

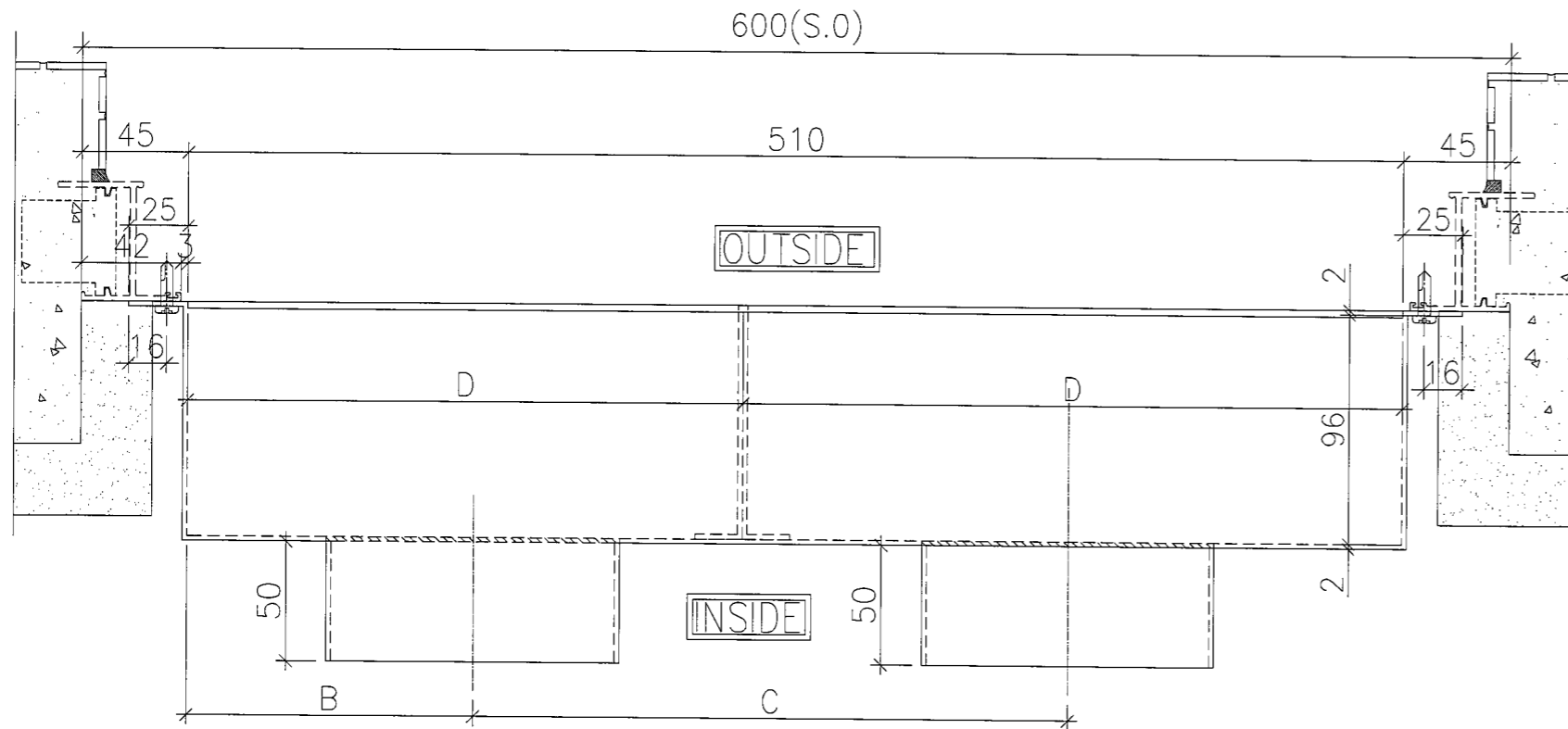
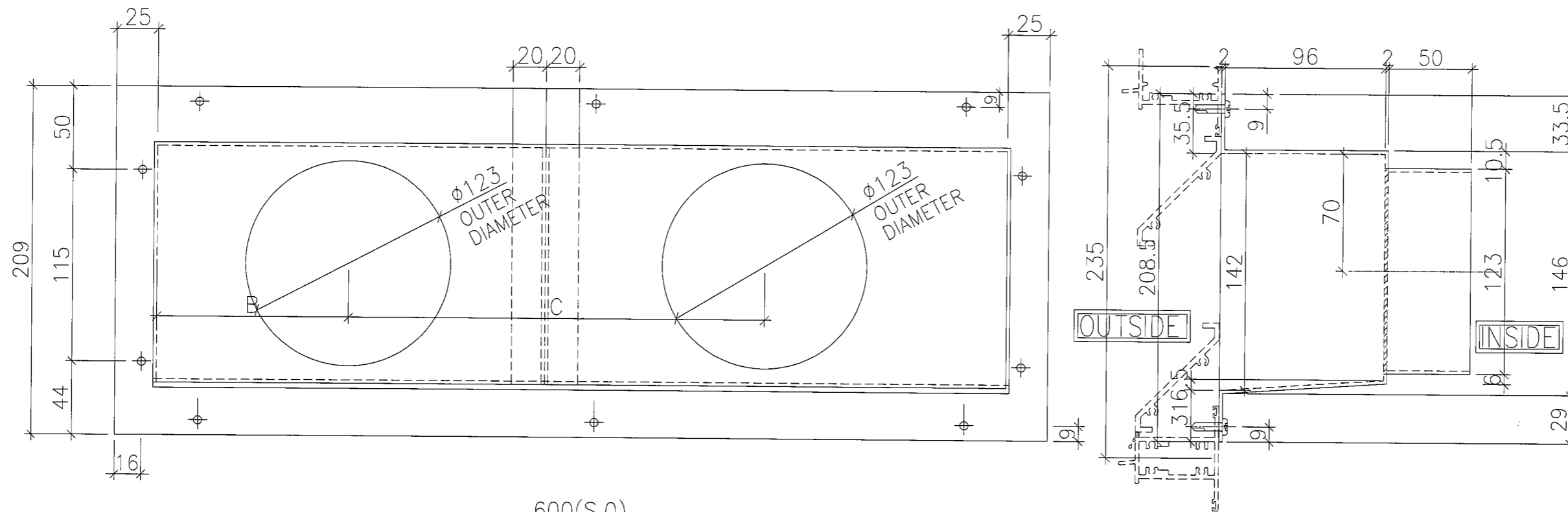
JOB NO. : J-837
 PROJECT :
 URA KWUN TONG TOWN CENTRE
 REDEVELOPMENT (AREA 2 & 3) AT
 NKIL 6514, KWUN TONG, KOWLOON

TITLE :
 TOWER AIR PLENUM BOX SCHEDULE
 (PRECAST FOR BATHROOM)

DATE : 04-JUL-18 SCALE : 1:##
 DRAWN BY : Zeng CHECKED BY : DW

 美特鋁質有限公司
 MIDI ALUMINIUM FABRICATOR LTD.
 Units 6-8, Sunray Industrial Centre, 1/F
 610 Cha Kwo Ling Road, Kowloon
 Tel: 23489211-4 Fax: (852) 2727666

DWG NO. : JB37- PB-2101 REV. : A



B.D. REF :

CLIENT :
 信和置業有限公司
 Sino Land Company Limited

ARCHITECT :
 WONG TUNG & PARTNERS LIMITED
 ARCHITECTS & PLANNERS

MAIN CONTRACTOR :
 CR Construction Company Limited

STRUCTURAL ENGINEER :
 AECOM

FACADE CONSULTANT:

NOTE :
 1. ALL DIMENSIONS ARE IN mm.
 2. ALL ELEVATIONS ARE VIEWED FROM OUTSIDE.
 3. ALL DIMENSIONS TO BE VERIFIED ON SITE BEFORE FABRICATION.

LEGEND :
 X1 --- DETAIL MARK NO.
 X001 --- REFER SHEET NO.

1. F.F.L. --- FINISHED FLOOR LEVEL
 2. S.F.L. --- STRUCTURAL FLOOR LEVEL
 3. (R) --- REVERSED DETAIL

NO.	DATE	GENERAL REVISION	REVISOR	BY
A	2019/2/13			Zeng

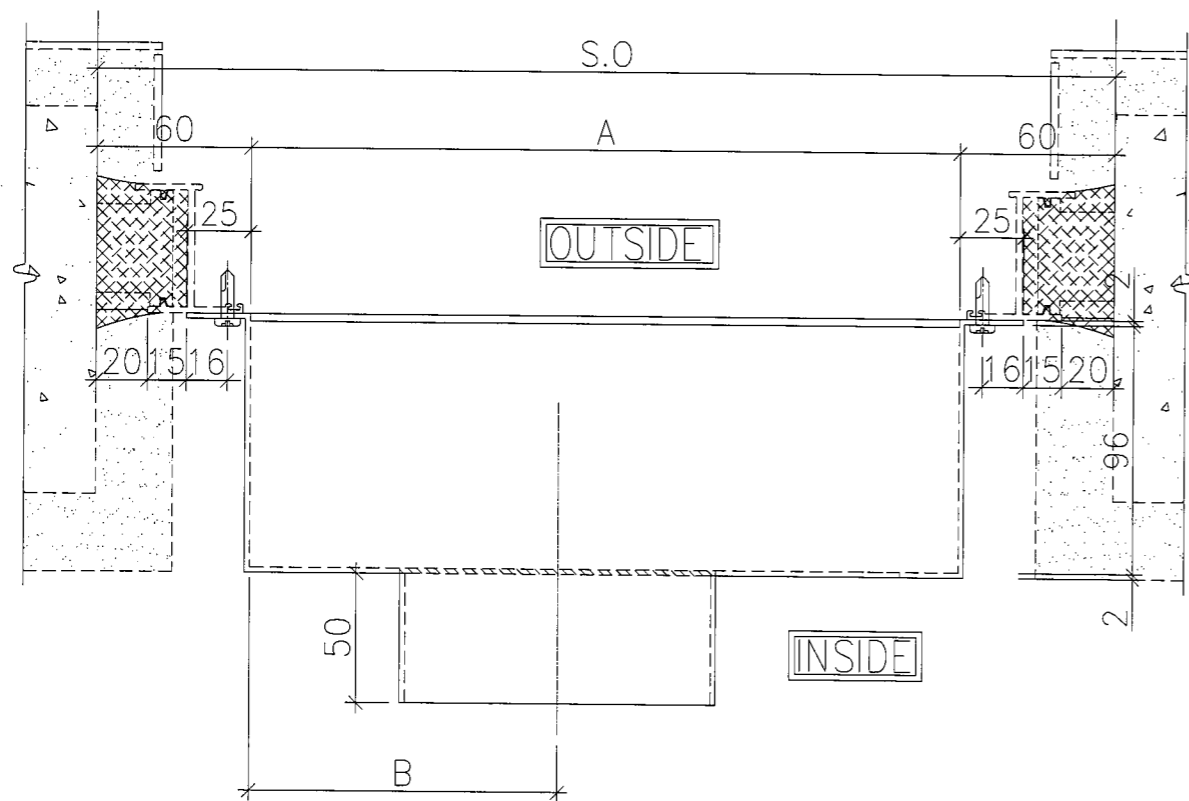
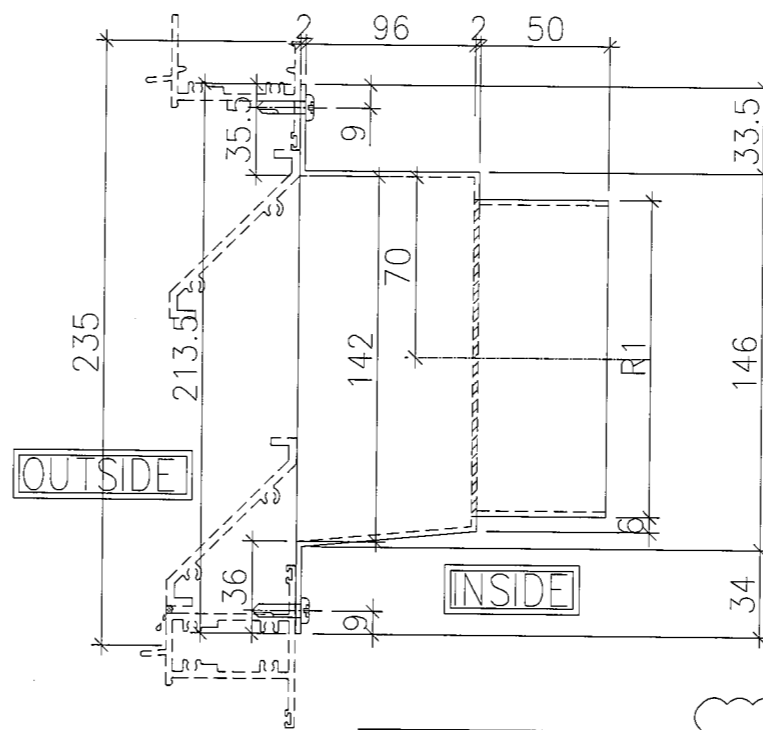
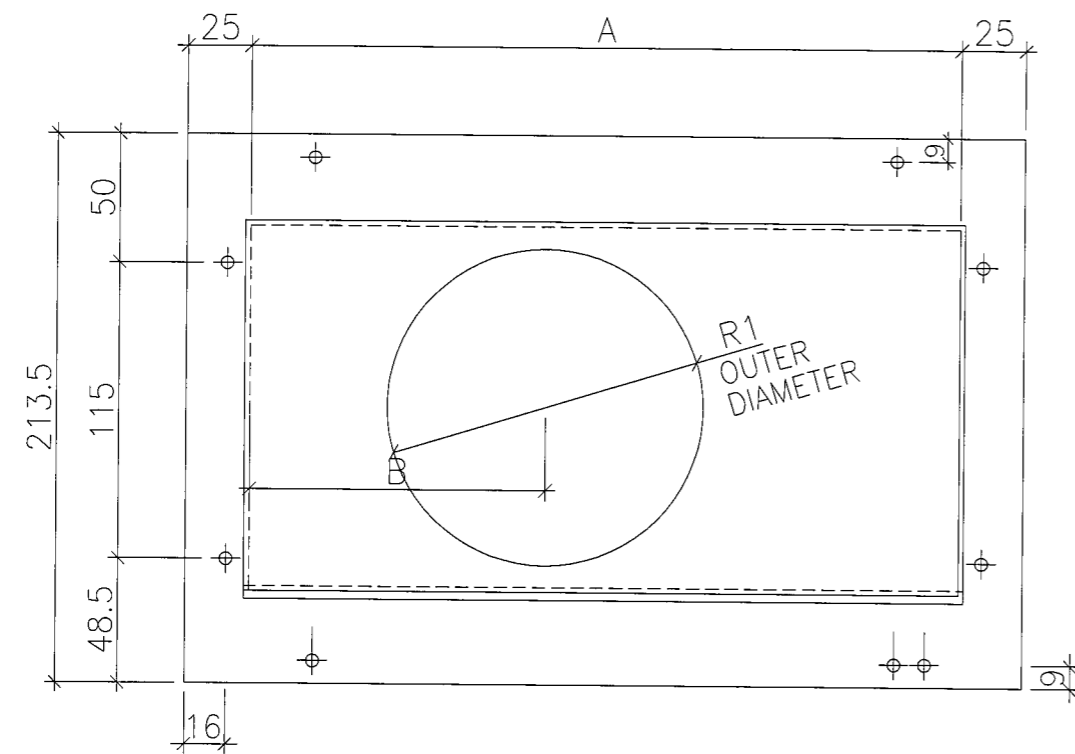
JOB NO. : J-837
 PROJECT :
 URA KWUN TONG TOWN CENTRE
 REDEVELOPMENT (AREA 2 & 3) AT
 NKIL 6514, KWUN TONG, KOWLOON

TITLE :
 TOWER AIR PLENUM BOX SCHEDULE
 (PRECAST FOR BATHROOM)

DATE : 04-JUL-18 SCALE : 1:##
 DRAWN BY : Zeng CHECKED BY : DW

BOX NO.	B	C	D	QTY.	WINDOW NO.
T1P/B-B	125	255	255	39	T1W/B-2

美特鋁質有限公司
 MIDI ALUMINIUM FABRICATOR LTD.
 Units 6-8, Sunray Industrial Centre, 1/F
 610 Cha Kwo Ling Road, Kowloon
 Tel: 23489211-4 Fax: (852) 2727666
 DWG NO. : J837- PB-2102 REV. : A



BOX NO.	S. O	A	B	R1	QTY.	WINDOW NO.
T1P/C-B1	585	465	315	123	39	T1W/C-2
T1P/C-B2	550	430	150	123	39	T1W/C-3
T1P/A-B	640	520	150	123	38	T1W/A-2
T1P/H-B1	550	430	150	123	39	T1W/H-2
T1P/H-B2	585	465	315	123	39	T1W/H-1
T1P/G-B1	640	520	370	123	39	T1W/G-3
T1P/G-B2	515	395	150	123	39	T1W/G-2
T2P/N-B	640	520	395	123	43	T2W/N-2
T2P/A-B2	640	520	370	123	43	T2W/A-5
T2P/A-B1	640	520	150	123	43	T2W/A-4
T2P/B-B1	640	520	370	123	43	T2W/B-2
T2P/B-B2	640	520	150	123	43	T2W/B-1
T3P/E-B1	640	520	150	123	41	T3W/E-1
T3P/E-B2	585	465	315	123	41	T3W/E-2
T3P/A-B1	640	520	150	123	41	T3W/A-2
T3P/B-B1	640	520	370	123	41	T3W/B-2
T3P/A-B2	505	385	235	123	41	T3W/A-3
T3P/B-B2	640	520	150	123	41	T3W/B-1
T5P/A-B1	640	520	420	98	38	T5W/A-4
T5P/M-B1	640	520	150	123	39	T5W/M-2
T5P/M-B2	640	520	370	123	39	T5W/M-1
T5P/L-B1	550	430	305	123	39	T5W/L-4
T5P/L-B2	585	465	150	123	39	T5W/L-3
T5P/F-B	585	465	150	123	40	T5W/F-2
T5P/G-B	640	520	200	123	39	T5W/G-2

B.D. REF :

CLIENT :
 信和置業有限公司
 Sino Land Company Limited

ARCHITECT :
 WONG TUNG & PARTNERS LIMITED
 ARCHITECTS & PLANNERS

MAIN CONTRACTOR :
 CR Construction Company Limited

STRUCTURAL ENGINEER :
 AECOM

FACADE CONSULTANT:

NOTE :
 1. ALL DIMENSIONS ARE IN mm.
 2. ALL ELEVATIONS ARE VIEWED FROM OUTSIDE.
 3. ALL DIMENSIONS TO BE VERIFIED ON SITE BEFORE FABRICATION.

LEGEND :
 X1 --- DETAIL MARK NO.
 X001 --- REFER SHEET NO.

1. F.F.L. --- FINISHED FLOOR LEVEL
 2. S.F.L. --- STRUCTURAL FLOOR LEVEL
 3. (R) --- REVERSED DETAIL

A	2019/2/13	GENERAL REVISION	Zeng
NO.	DATE	REVISED	BY

JOB NO. : J-837

PROJECT :
 URA KWUN TONG TOWN CENTRE
 REDEVELOPMENT (AREA 2 & 3) AT
 NKIL 6514, KWUN TONG, KOWLOON

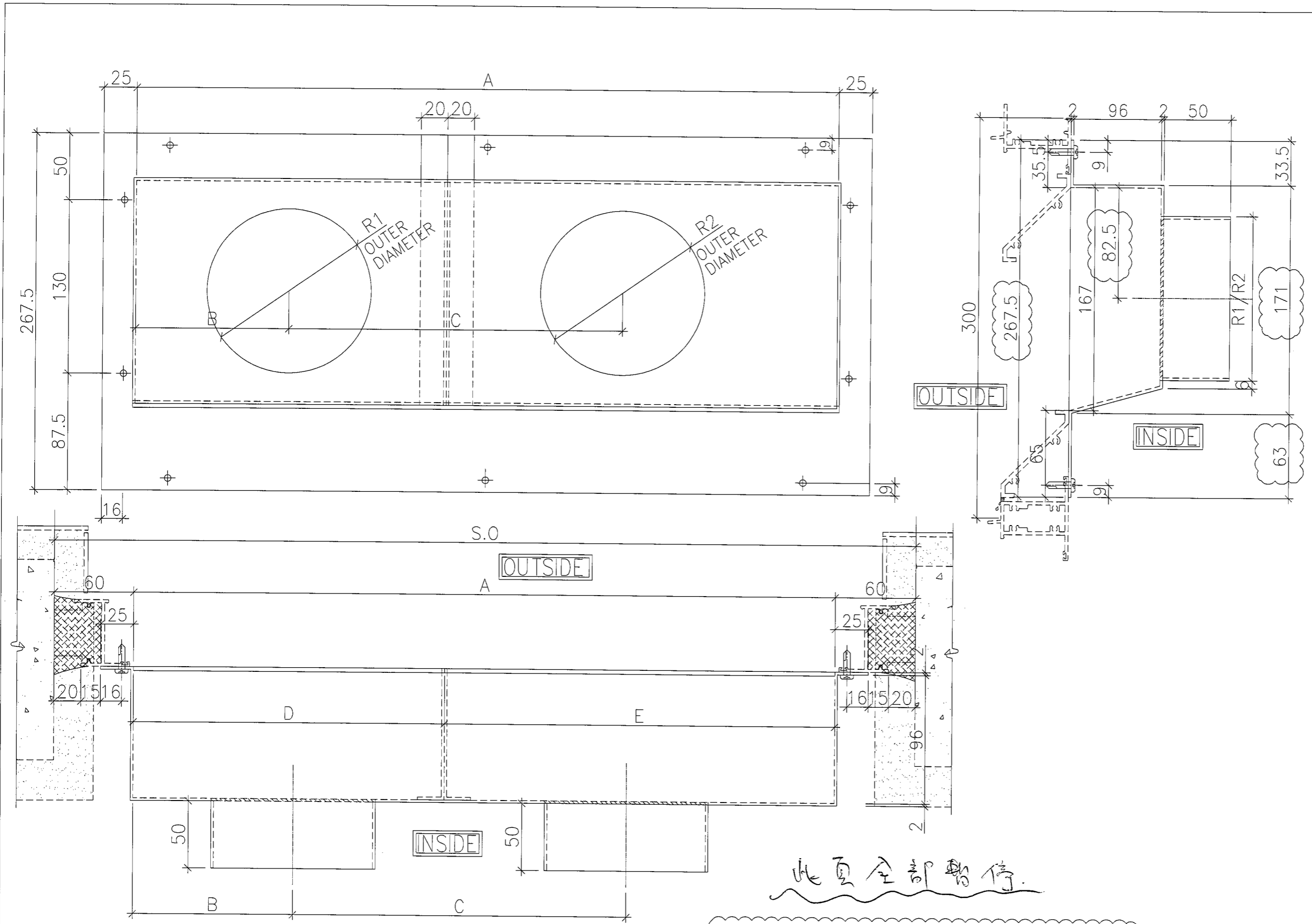
TITLE :
 TOWER AIR PLENUM BOX SCHEDULE
 (INSITU FOR BATHROOM)

DATE : 04-JUL-18 SCALE : 1:##

DRAWN BY : Zeng CHECKED BY : DW

美特鋁質有限公司
 MIDI ALUMINUM FABRICATOR LTD.
 Units 6-8, Sunray Industrial Centre, 1/F
 610 Cha Kwo Ling Road, Kowloon
 Tel: 23469211-4 Fax: (852) 2727666

DWG NO. : J837- PB-2104 REV. : A



此頁全部暫停

BOX NO.	S. O	A	B	C	D	E	R1	R2	QTY.	WINDOW NO.
T2P/N-K	550	430	145	195	250	180	98	123	43	T2W/N-3
T2P/D-K	500	380	95	210	230	150	98	123	43	T2W/D-1
T2P/C-K	440	320	75	160	150	170	123	98	43	T2W/C-1

B.D. REF :

CLIENT : 信和置業有限公司 Sino Land Company Limited

ARCHITECT : WONG TUNG & PARTNERS LIMITED ARCHITECTS & PLANNERS

MAIN CONTRACTOR : CR Construction Company Limited

STRUCTURAL ENGINEER : AECOM

FACADE CONSULTANT :

NOTE :

- ALL DIMENSIONS ARE IN mm.
- ALL ELEVATIONS ARE VIEWED FROM OUTSIDE.
- ALL DIMENSIONS TO BE VERIFIED ON SITE BEFORE FABRICATION.

LEGEND :

- X1 - DETAIL MARK NO.
- X001 - REFER SHEET NO.
- F.F.L. -- FINISHED FLOOR LEVEL
- S.F.L. -- STRUCTURAL FLOOR LEVEL
- (/R) -- REVERSED DETAIL

NO.	DATE	GENERAL REVISION	REVISOR	BY
A	2019/2/13		Zeng	

JOB NO. : J-837

PROJECT : URA KWUN TONG TOWN CENTRE REDEVELOPMENT (AREA 2 & 3) AT NKIL 6514, KWUN TONG, KOWLOON

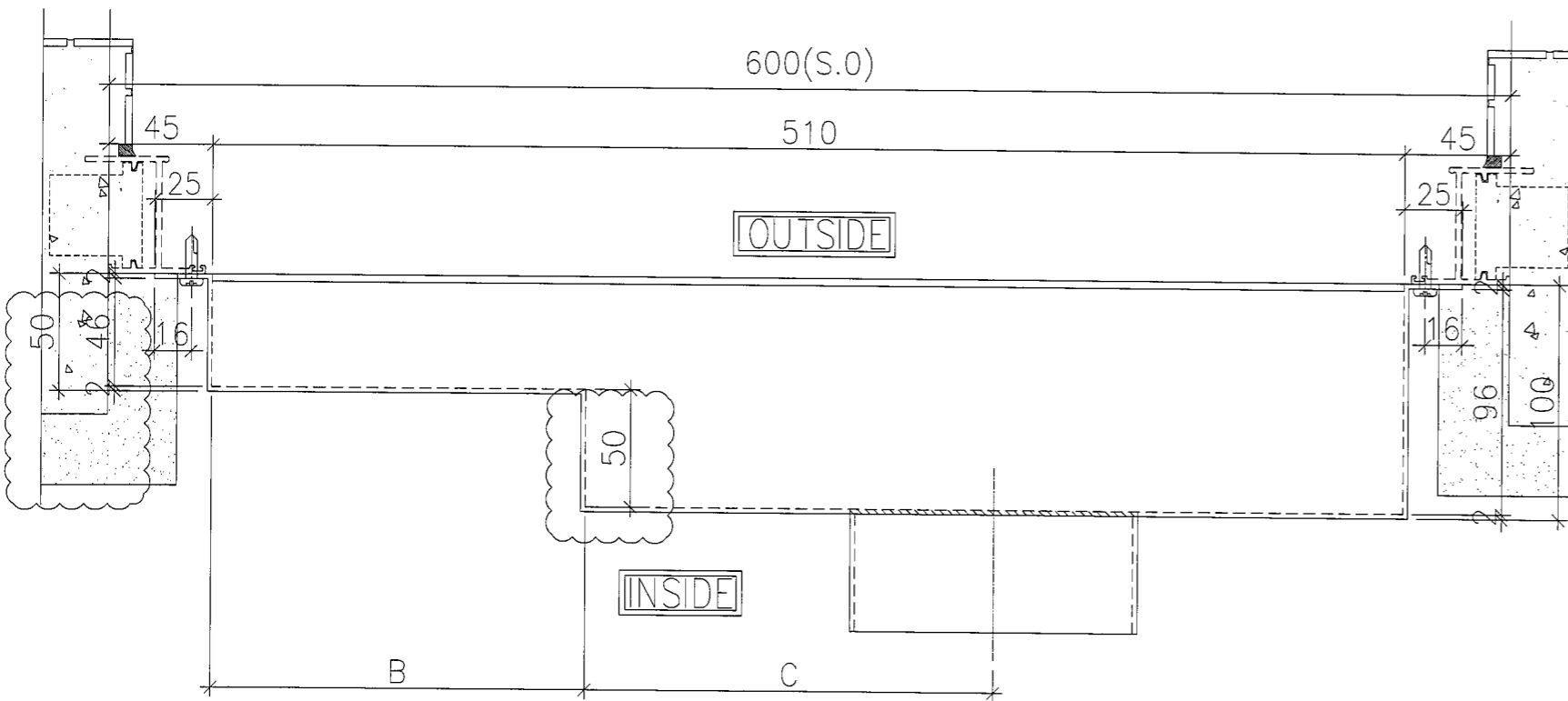
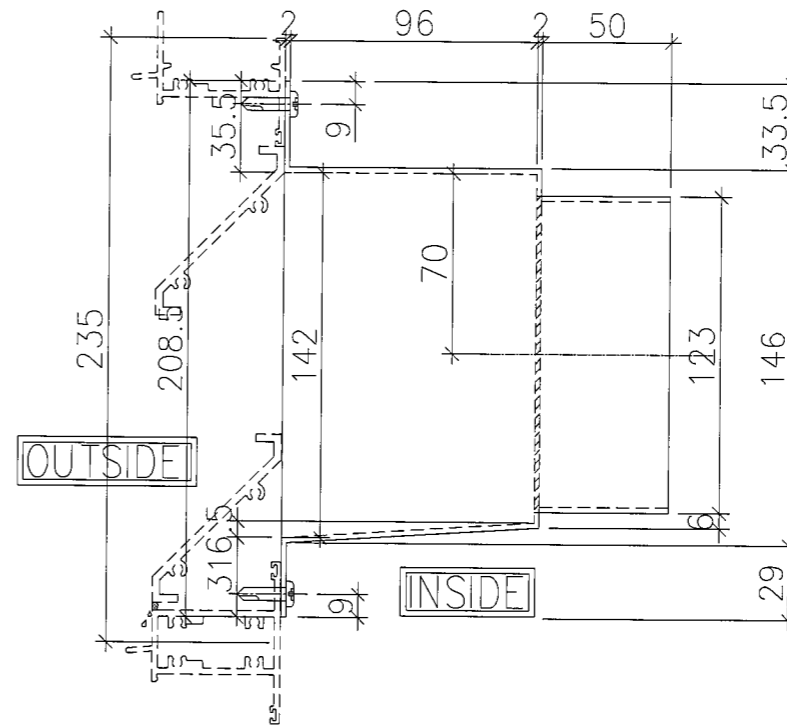
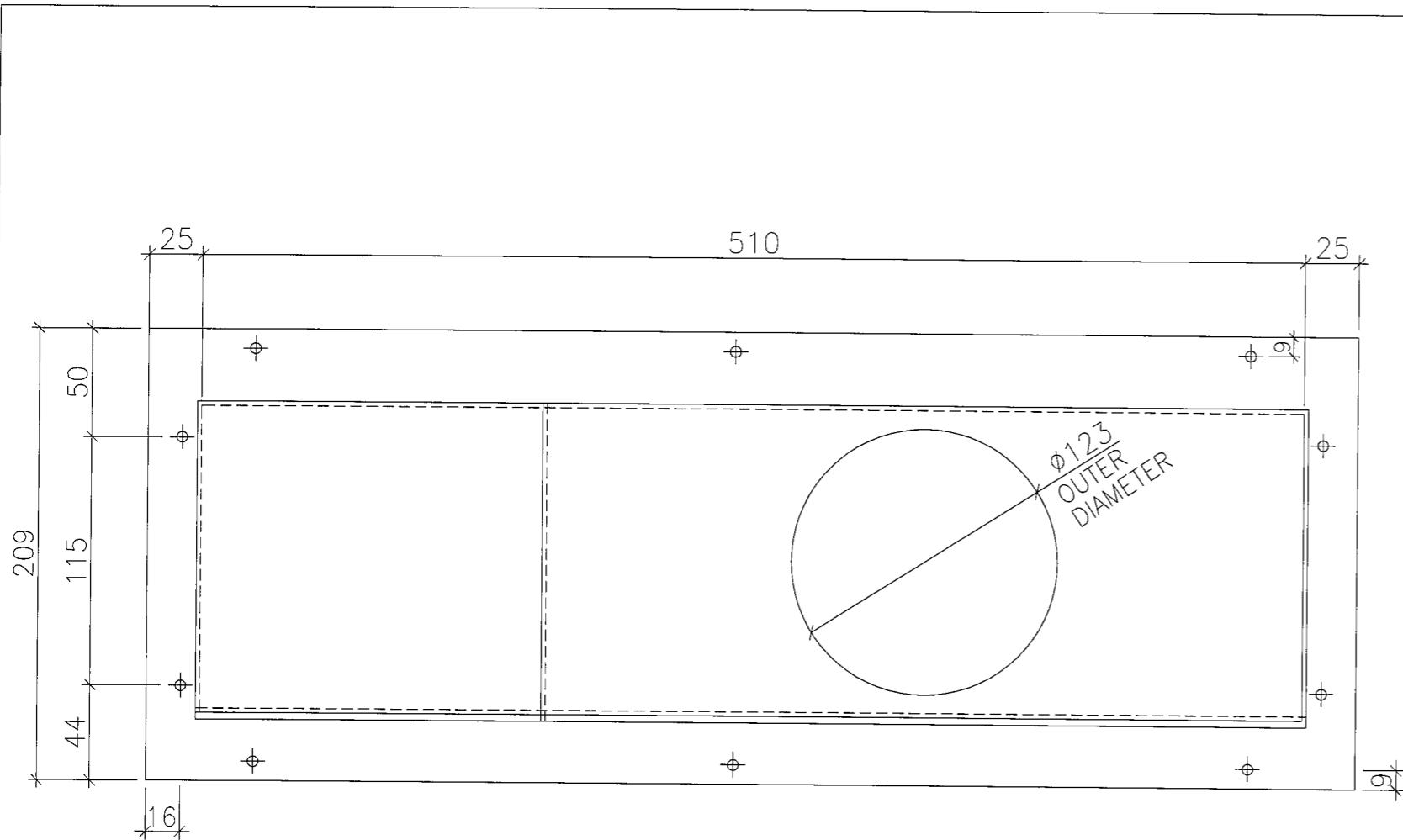
TITLE : TOWER AIR PLENUM BOX SCHEDULE (INSITU FOR KITCHEN)

DATE : 04-JUL-18 SCALE : 1:##

DRAWN BY : Zeng CHECKED BY : DW

MIDI ALUMINIUM FABRICATOR LTD.
Units 6-8, Sunray Industrial Centre, 1/F
610 Cho Kwo Ling Road, Kowloon
Tel: 23489211-4 Fax: (852) 2727666


DWG NO. : JB37- PB-2106 REV. : A



B.D. REF :

CLIENT :
 信和置業有限公司
 Sino Land Company Limited

ARCHITECT :
 WONG TUNG & PARTNERS LIMITED
 ARCHITECTS & PLANNERS


MAIN CONTRACTOR :
 CR Construction Company Limited

STRUCTURAL ENGINEER :


FACADE CONSULTANT:

NOTE:
 1. ALL DIMENSIONS ARE IN mm.
 2. ALL ELEVATIONS ARE VIEWED FROM OUTSIDE.
 3. ALL DIMENSIONS TO BE VERIFIED ON SITE BEFORE FABRICATION.

LEGEND:
 X1 --- DETAIL MARK NO.
 X001 --- REFER SHEET NO.
 1. F.F.L. --- FINISHED FLOOR LEVEL
 2. S.F.L. --- STRUCTURAL FLOOR LEVEL
 3. (R) --- REVERSED DETAIL

A	2019/2/13	GENERAL REVISION	Zeng
NO.	DATE	REVISED	BY

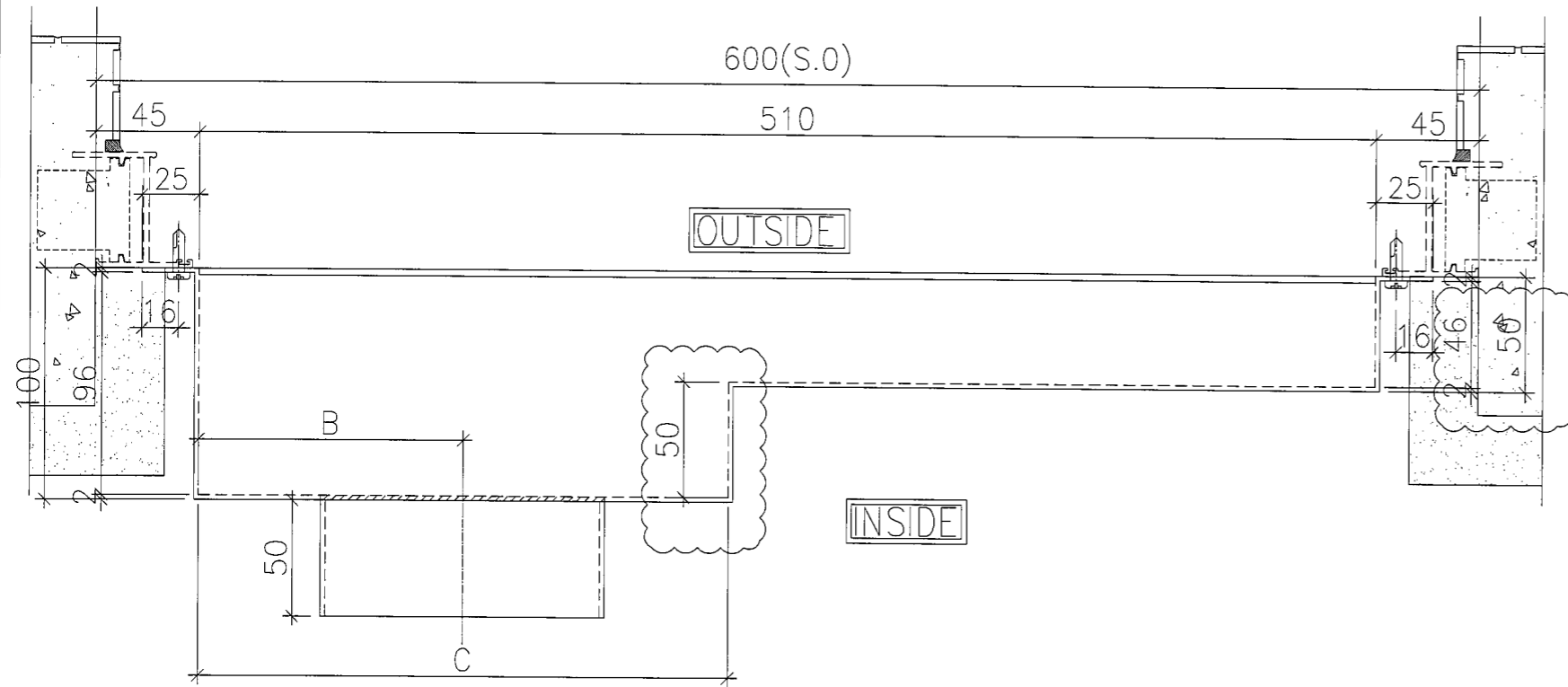
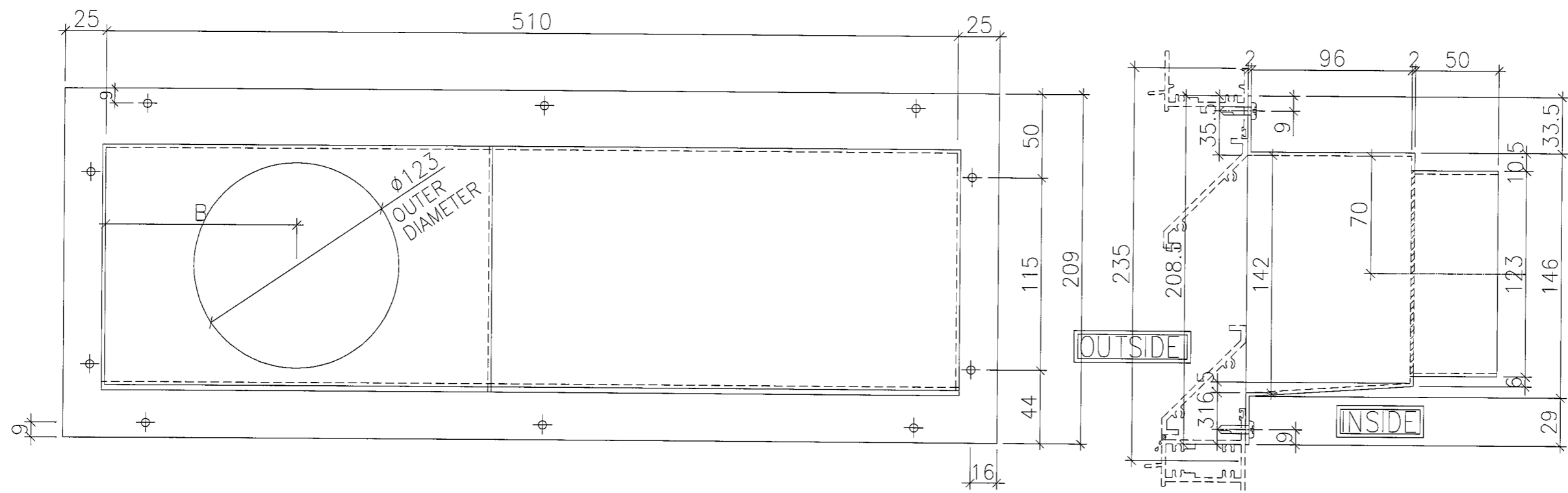
JOB NO. : J-837
 PROJECT :
 URA KWUN TONG TOWN CENTRE
 REDEVELOPMENT (AREA 2 & 3) AT
 NKIL 6514, KWUN TONG, KOWLOON

TITLE :
 TOWER AIR PLENUM BOX SCHEDULE
 (PRECAST FOR BATHROOM)

DATE : 04-JUL-18 SCALE : 1:##
 DRAWN BY : Zeng CHECKED BY : DW

BOX NO.	B	C	QTY.	WINDOW NO.
T2P/G-B	200	160	42	T2W/G-2

 美特鋁質有限公司
 MIDI ALUMINIUM FABRICATOR LTD.
 Units 6-8, Sunray Industrial Centre, 1/F
 610 Cha Kwo Ling Road, Kowloon
 Tel: 23489211-4 Fax: (852) 27727666
 DWG NO. : J837- PB-2107 REV. : A



B.D. REF :

CLIENT :
 信和置業有限公司
 Sino Land Company Limited

ARCHITECT :
 WONG TUNG & PARTNERS LIMITED
 ARCHITECTS & PLANNERS

MAIN CONTRACTOR :
 CR Construction Company Limited

STRUCTURAL ENGINEER :
 AECOM

FACADE CONSULTANT:

NOTE :
 1. ALL DIMENSIONS ARE IN mm.
 2. ALL ELEVATIONS ARE VIEWED FROM OUTSIDE.
 3. ALL DIMENSIONS TO BE VERIFIED ON SITE BEFORE FABRICATION.

LEGEND :
 X1 --- DETAIL MARK NO.
 X001 --- REFER SHEET NO.
 1. F.F.L. --- FINISHED FLOOR LEVEL
 2. S.F.L. --- STRUCTURAL FLOOR LEVEL
 3. (R) --- REVERSED DETAIL

A	2019/2/13	GENERAL REVISION	Zeng
NO.	DATE	REVISED	BY

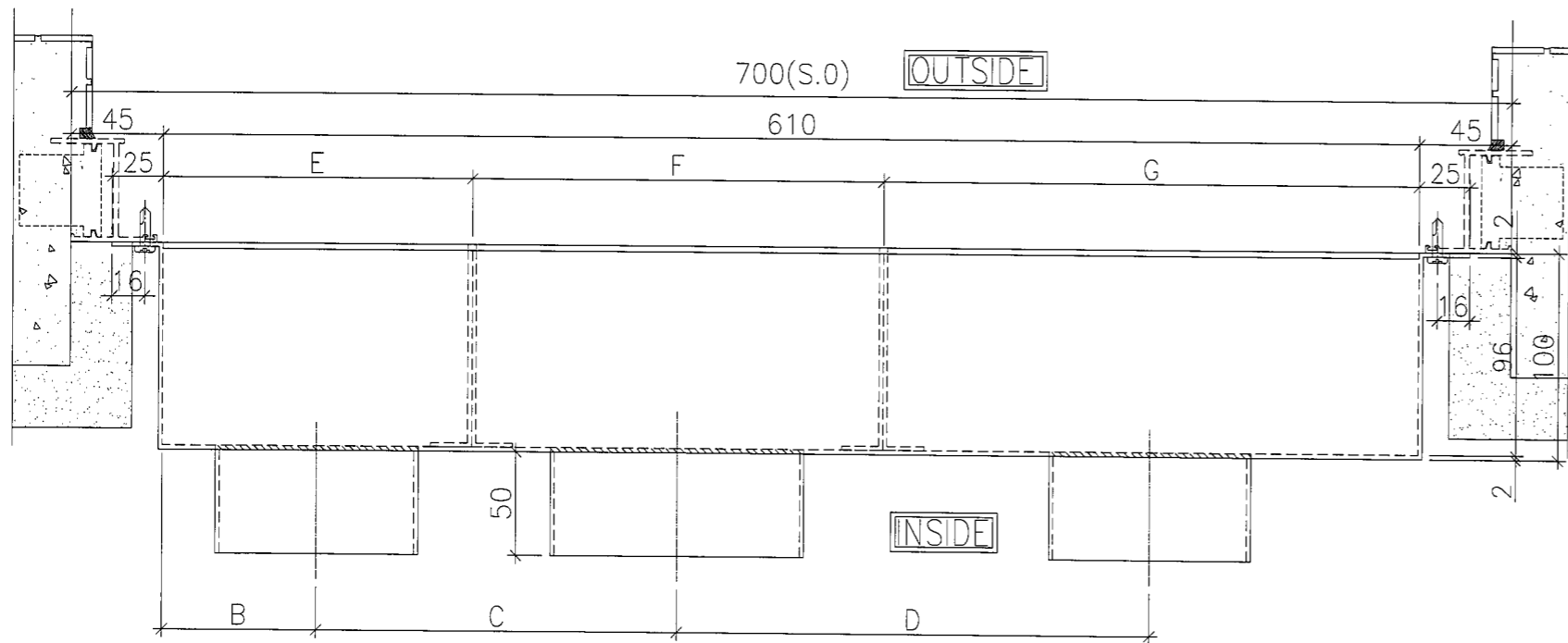
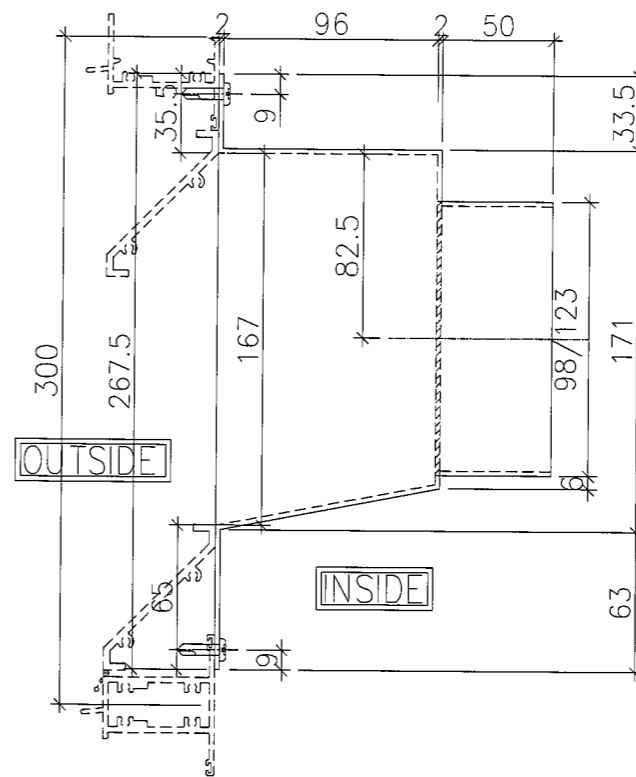
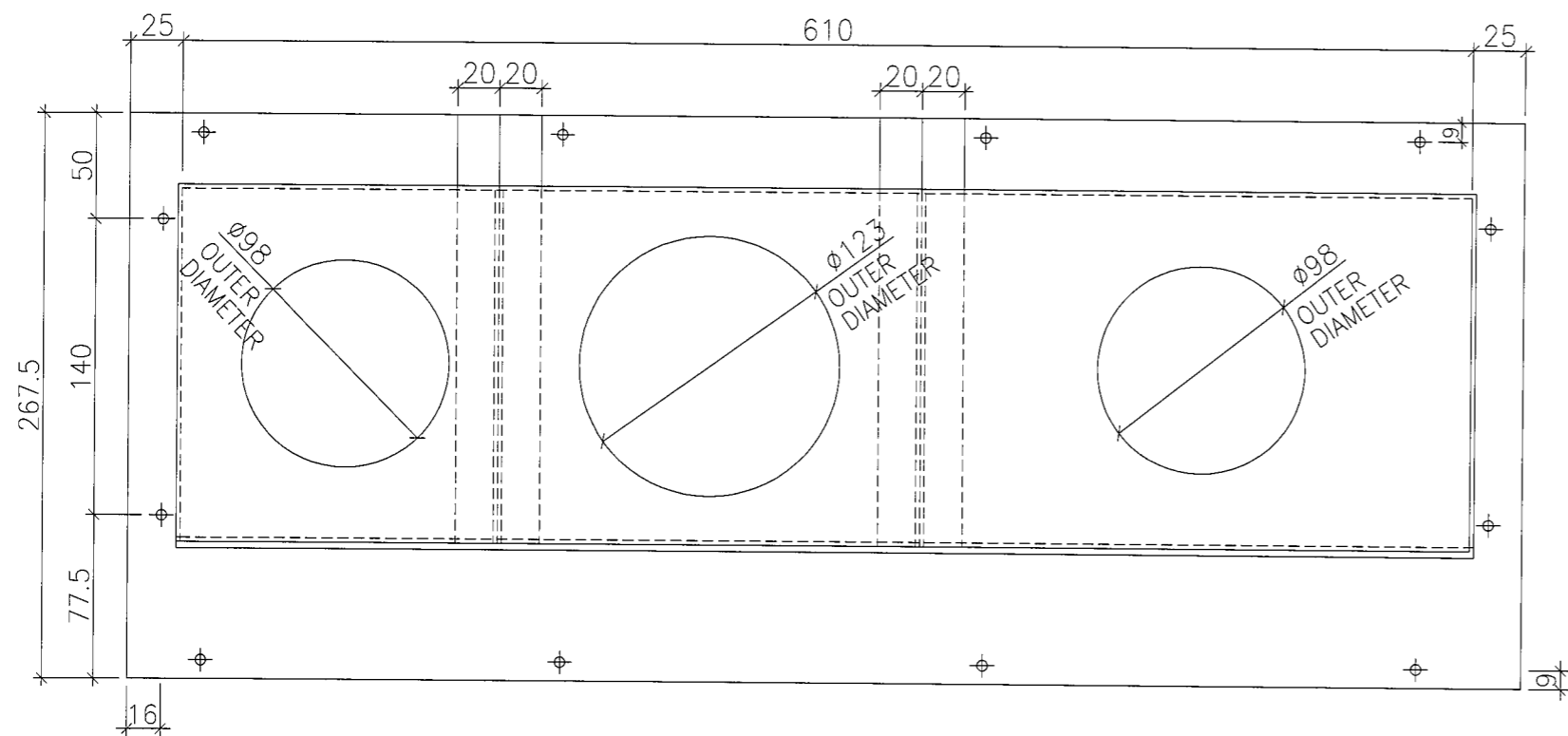
JOB NO. : J-837
 PROJECT :
 URA KWUN TONG TOWN CENTRE
 REDEVELOPMENT (AREA 2 & 3) AT
 NKIL 6514, KWUN TONG, KOWLOON

TITLE :
 TOWER AIR PLENUM BOX SCHEDULE
 (PRECAST FOR BATHROOM)

DATE : 04-JUL-18 SCALE : 1:##
 DRAWN BY : Zeng CHECKED BY : DW

BOX NO.	B	C	QTY.	WINDOW NO.
T3P/F-B	100	200	40	T3W/F-3

美特鋁質有限公司
 MIDI ALUMINIUM FABRICATOR LTD.
 Units 6-8, Sunray Industrial Centre, 1/F
 610 Cha Kwo Ling Road, Kowloon
 Tel: 23489211-4 Fax: (852) 27727666
 DWG NO. : J837- PB-210B REV. : A



B.D. REF :

CLIENT :
 信和置業有限公司
 Sino Land Company Limited

ARCHITECT :
 WONG TUNG & PARTNERS LIMITED
 ARCHITECTS & PLANNERS

MAIN CONTRACTOR :
 CR Construction Company Limited

STRUCTURAL ENGINEER :
 AECOM

FACADE CONSULTANT:

NOTE :
 1. ALL DIMENSIONS ARE IN mm.
 2. ALL ELEVATIONS ARE VIEWED FROM OUTSIDE.
 3. ALL DIMENSIONS TO BE VERIFIED ON SITE BEFORE FABRICATION.

LEGEND :
 X1 — DETAIL MARK NO.
 X001 — REFER SHEET NO.

1. F.F.L. — FINISHED FLOOR LEVEL
 2. S.F.L. — STRUCTURAL FLOOR LEVEL
 3. (R) — REVERSED DETAIL

NO.	DATE	GENERAL REVISION	REVISED	BY
A	2019/2/13			Zeng

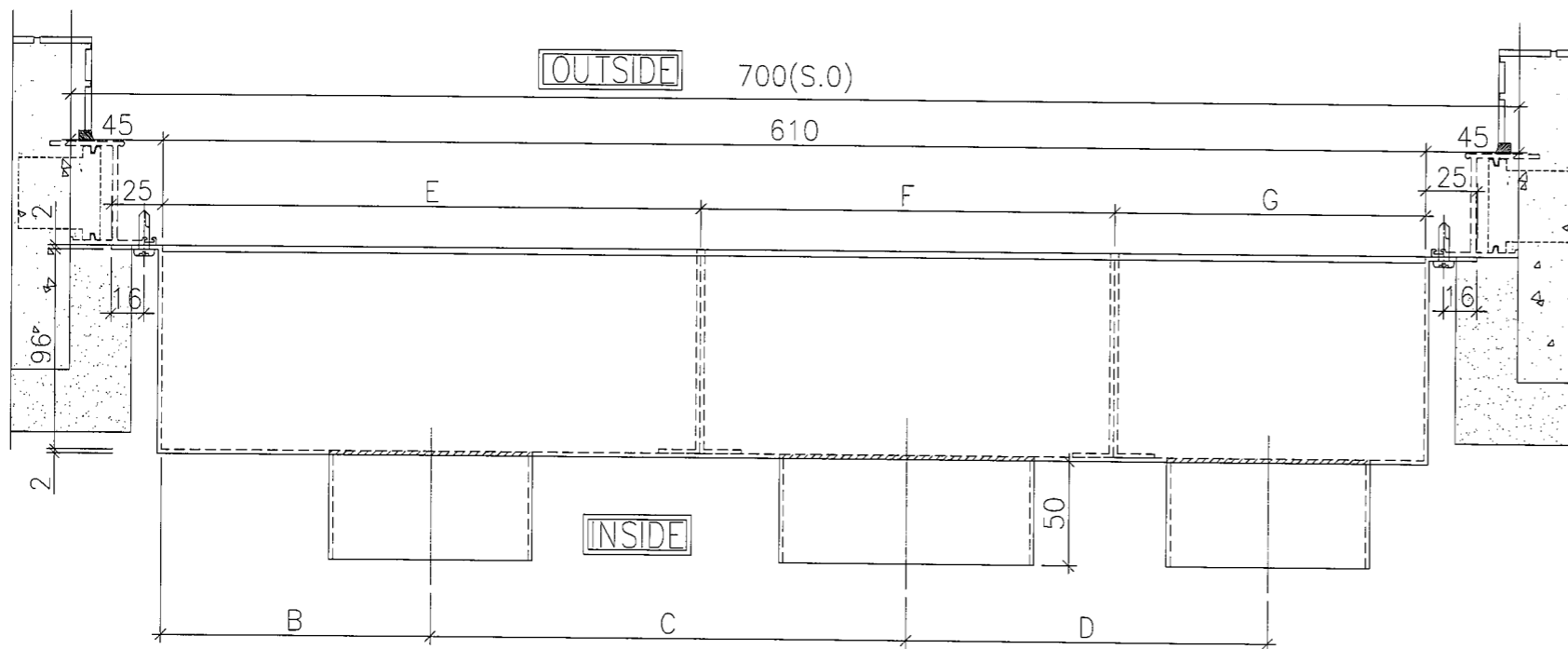
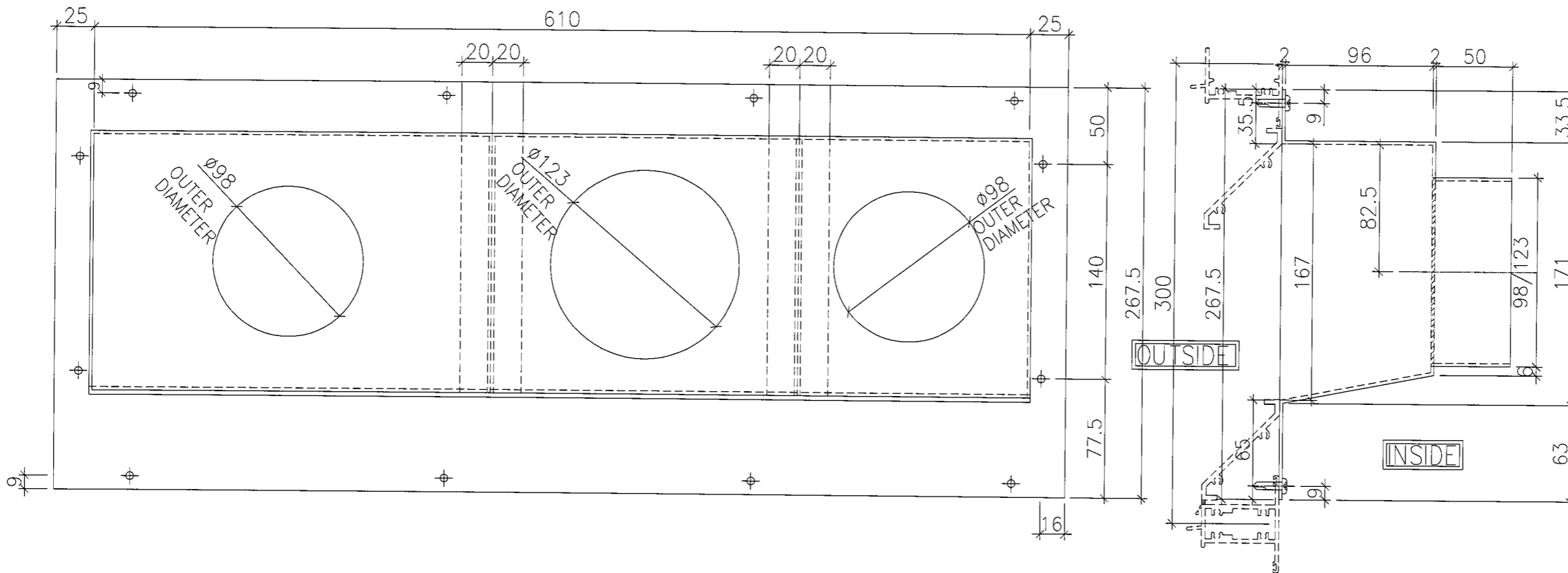
JOB NO. : J-837
 PROJECT :
 URA KWUN TONG TOWN CENTRE
 REDEVELOPMENT (AREA 2 & 3) AT
 NKIL 6514, KWUN TONG, KOWLOON

TITLE :
 TOWER AIR PLENUM BOX SCHEDULE
 (PRECAST FOR KITCHEN)

DATE : 04-JUL-18 SCALE : 1:##
 DRAWN BY : Zeng CHECKED BY : DW

美特鋁質有限公司
 MIDI ALUMINIUM FABRICATOR LTD.
 Units 6-8, Sunray Industrial Centre, 1/F
 610 Cha Kwo Ling Road, Kowloon
 Tel: 23489211-4 Fax: (852) 27727666
 DWG NO. : J837- PB-2109 REV. : A

BOX NO.	B	C	D	E	F	G	QTY.	WINDOW NO.
T2P/A-K	75	175	200	150	200	260	43	T2W/A-3



暫停

B.D. REF :

CLIENT :
 信和置業有限公司
 Sino Land Company Limited

ARCHITECT :
 WONG TUNG & PARTNERS LIMITED
 ARCHITECTS & PLANNERS

MAIN CONTRACTOR :
 CR Construction Company Limited

STRUCTURAL ENGINEER :
 AECOM

FACADE CONSULTANT:

NOTE :
 1. ALL DIMENSIONS ARE IN mm.
 2. ALL ELEVATIONS ARE VIEWED FROM OUTSIDE.
 3. ALL DIMENSIONS TO BE VERIFIED ON SITE BEFORE FABRICATION.

LEGEND :
 X1 --- DETAIL MARK NO.
 X001 --- REFER SHEET NO.
 1. F.F.L. --- FINISHED FLOOR LEVEL
 2. S.F.L. --- STRUCTURAL FLOOR LEVEL
 3. (R) --- REVERSED DETAIL

A	2019/2/13	GENERAL REVISION	Zeng
NO.	DATE	REVISED	BY

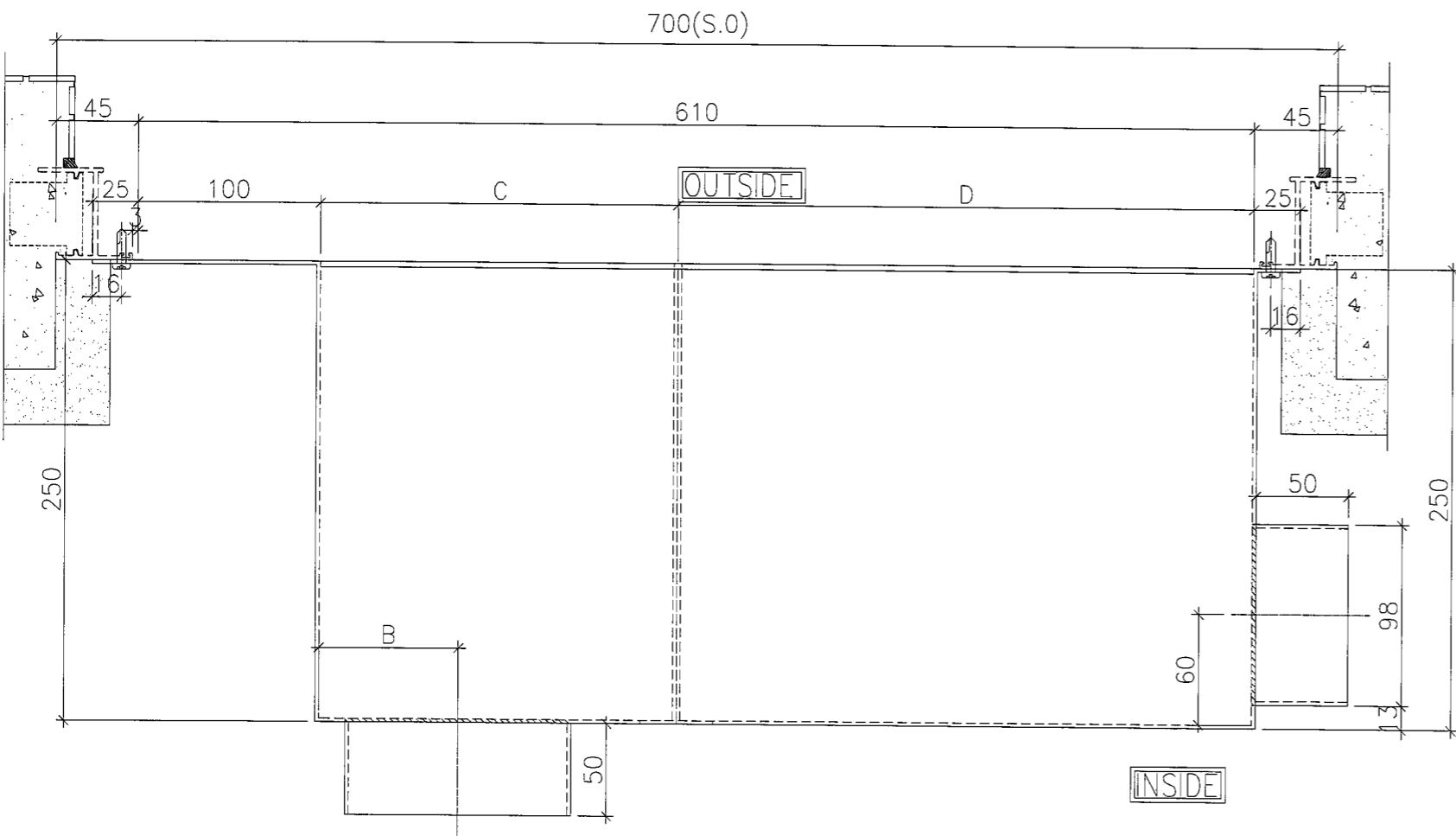
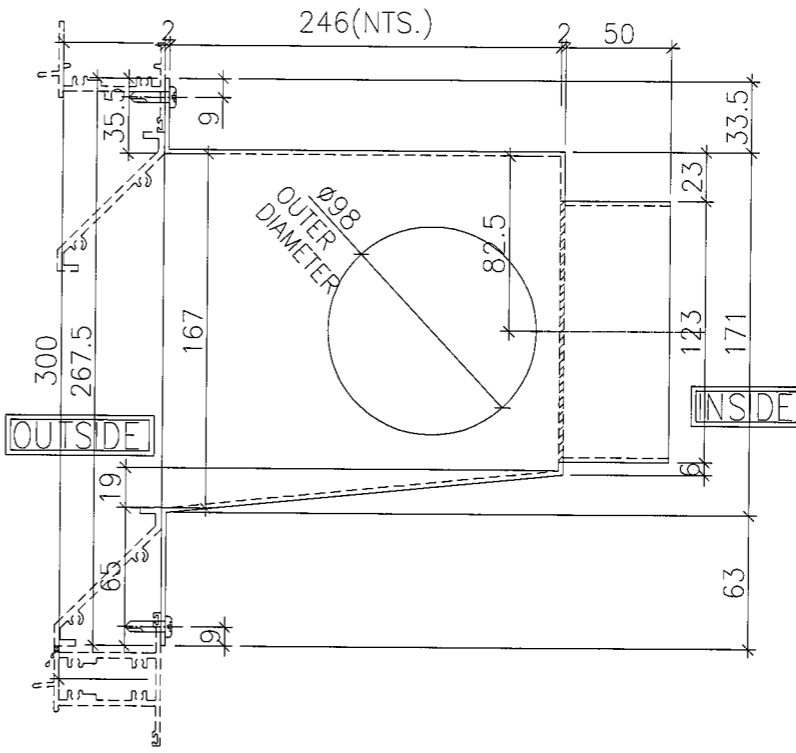
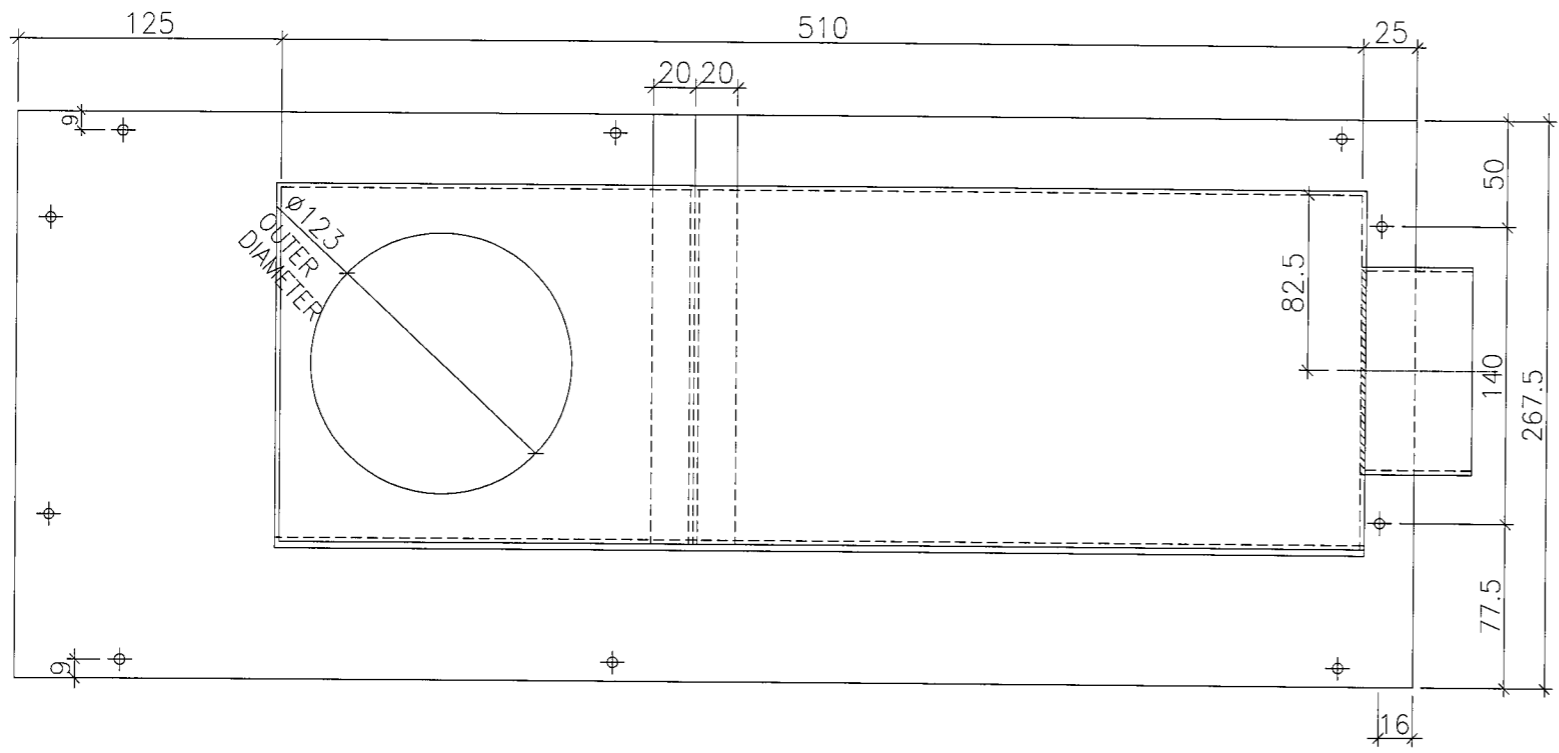
JOB NO. : J-837
 PROJECT :
 URA KWUN TONG TOWN CENTRE
 REDEVELOPMENT (AREA 2 & 3) AT
 NKIL 6514, KWUN TONG, KOWLOON

TITLE :
 TOWER AIR PLENUM BOX SCHEDULE
 (PRECAST FOR KITCHEN)

DATE : 04-JUL-18 SCALE : 1:##
 DRAWN BY : Zeng CHECKED BY : DW

美特鋁質有限公司
 MIDI ALUMINIUM FABRICATOR LTD.
 Units 6-8, Sunray Industrial Centre, 1/F
 610 Cha Kwo Ling Road, Kowloon
 Tel: 23489211-4 Fax: (852) 27727666
 DWG NO. : J837- PB-2110 REV. : A

BOX NO.	B	C	D	E	F	G	QTY.	WINDOW NO.
T2P/B-K	200	160	175	260	200	150	43	T2W/B-3



B.O. REF :

CLIENT :
 信和置業有限公司
 Sino Land Company Limited

ARCHITECT :
 WONG TUNG & PARTNERS LIMITED
 ARCHITECTS & PLANNERS

MAIN CONTRACTOR :
 CR Construction Company Limited

STRUCTURAL ENGINEER :
 AECOM

FACADE CONSULTANT:

NOTE :
 1. ALL DIMENSIONS ARE IN mm.
 2. ALL ELEVATIONS ARE VIEWED FROM OUTSIDE.
 3. ALL DIMENSIONS TO BE VERIFIED ON SITE BEFORE FABRICATION.

LEGEND :
 X1 --- DETAIL MARK NO.
 X001 --- REFER SHEET NO.
 1. F.F.L. --- FINISHED FLOOR LEVEL
 2. S.F.L. --- STRUCTURAL FLOOR LEVEL
 3. (R) --- REVERSED DETAIL

NO.	DATE	GENERAL REVISION	REVISOR	BY
A	2019/2/13	GENERAL REVISION	Zeng	

JOB NO. : J-837
 PROJECT :
 URA KWUN TONG TOWN CENTRE
 REDEVELOPMENT (AREA 2 & 3) AT
 NKIL 6514, KWUN TONG, KOWLOON

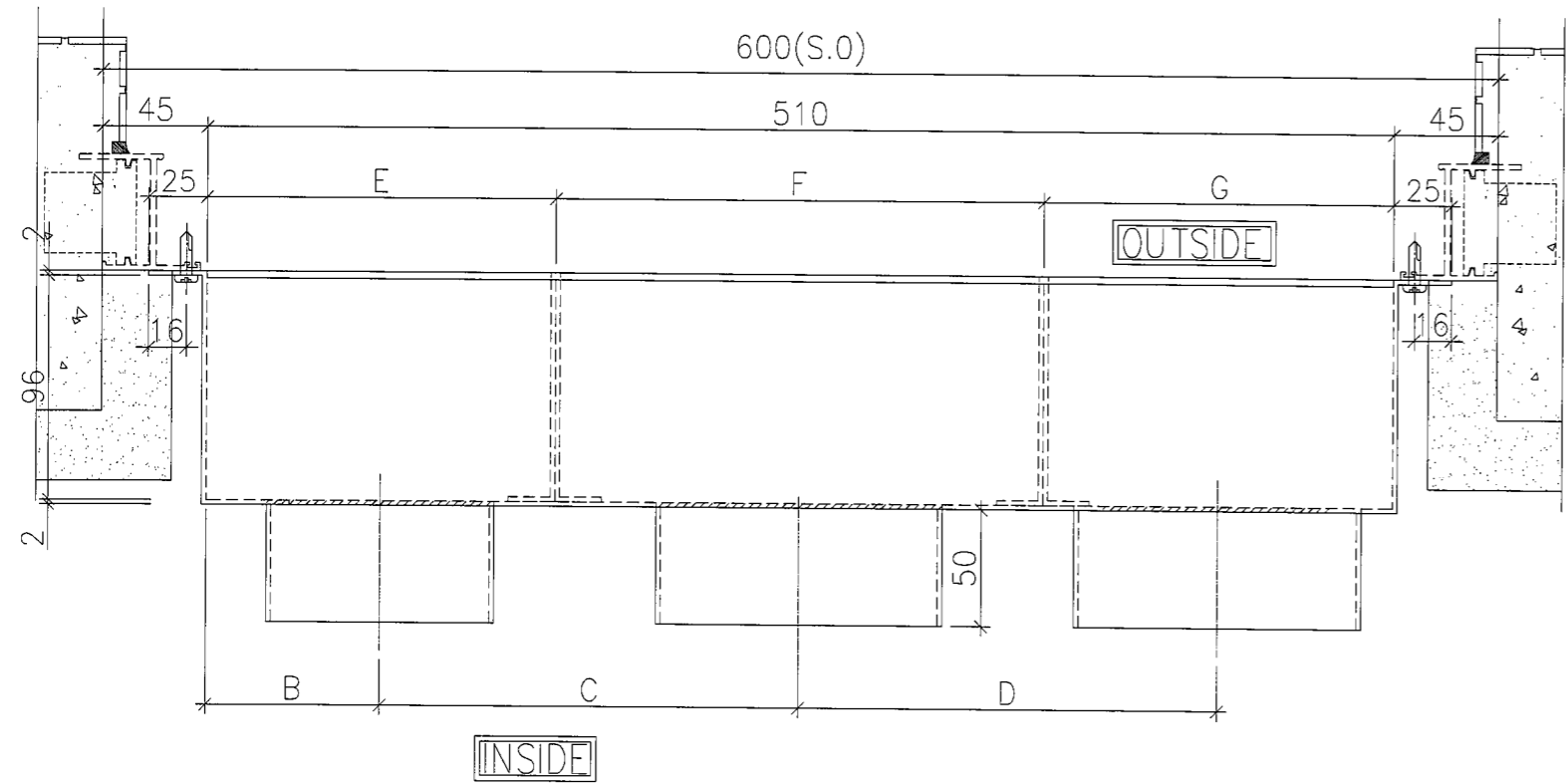
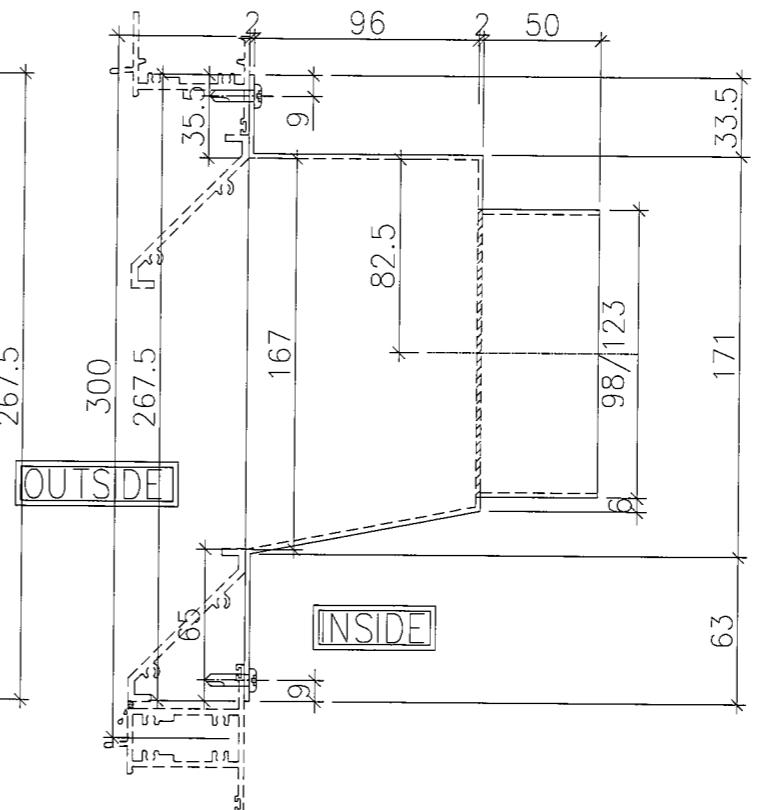
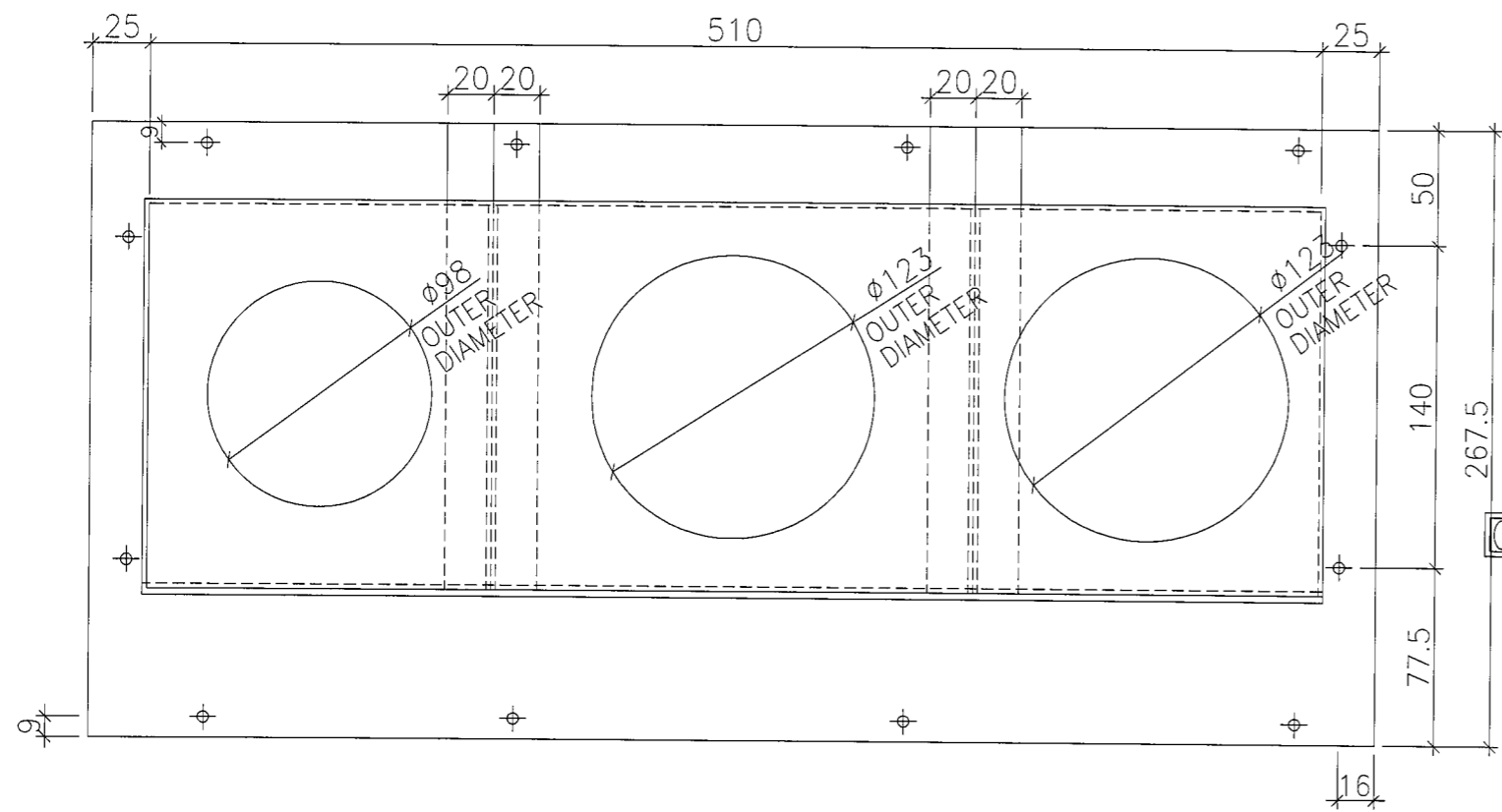
TITLE :
 TOWER AIR PLENUM BOX SCHEDULE
 (PRECAST FOR KITCHEN)

DATE : 04-JUL-18 SCALE : 1:##
 DRAWN BY : Zeng CHECKED BY : DW

美特鋁質有限公司
 MIDI ALUMINIUM FABRICATOR LTD.
 Units 6-8, Sunray Industrial Centre, 1/F
 610 Cho Kwo Ling Road, Kowloon
 Tel: 23489211-4 Fax: (852) 27727666
 DWG NO. : JB37-PB-2111 REV. : A

BOX NO.	B	C	D	QTY.	WINDOW NO.
T2P/H-K	95	190	320	42	T2W/H-2

暫停



暫停

B.D. REF :

CLIENT :
 信和置業有限公司
 Sino Land Company Limited

ARCHITECT :
 WONG TUNG & PARTNERS LIMITED
 ARCHITECTS & PLANNERS

MAIN CONTRACTOR :
 CR Construction Company Limited

STRUCTURAL ENGINEER :
 AECOM

FACADE CONSULTANT:

NOTE :
 1. ALL DIMENSIONS ARE IN mm.
 2. ALL ELEVATIONS ARE VIEWED FROM OUTSIDE.
 3. ALL DIMENSIONS TO BE VERIFIED ON SITE BEFORE FABRICATION.

LEGEND :
 X1 --- DETAIL MARK NO.
 X001 --- REFER SHEET NO.
 1. F.F.L. --- FINISHED FLOOR LEVEL
 2. S.F.L. --- STRUCTURAL FLOOR LEVEL
 3. /R --- REVERSED DETAIL

A	2019/2/13	GENERAL REVISION	Zeng
NO.	DATE	REVISED	BY

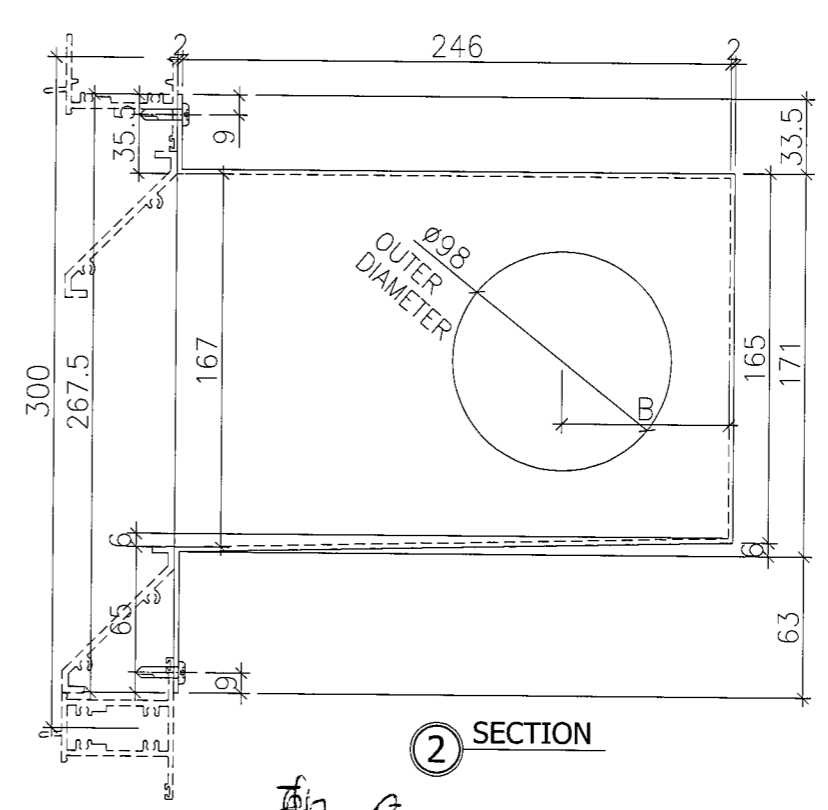
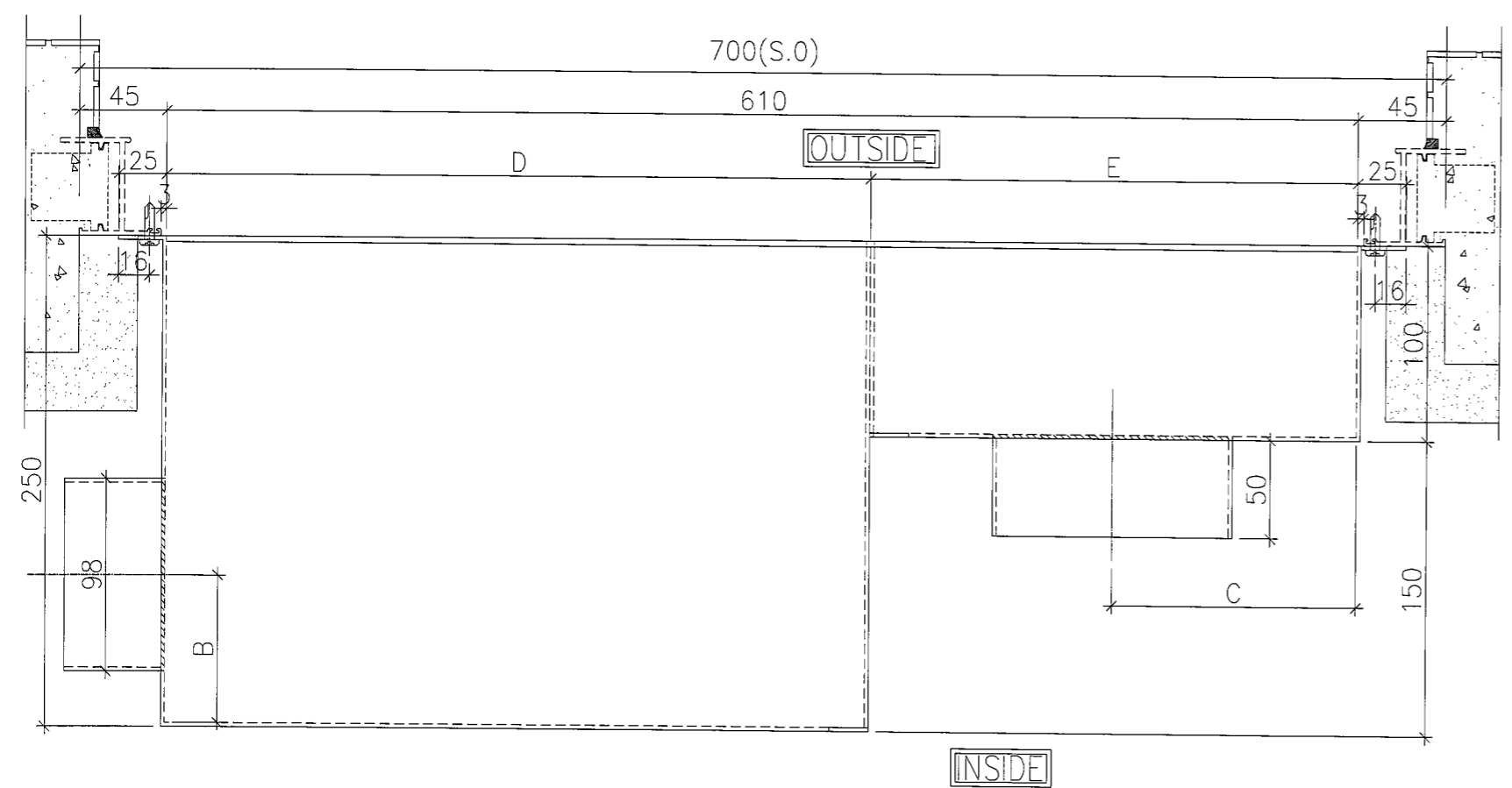
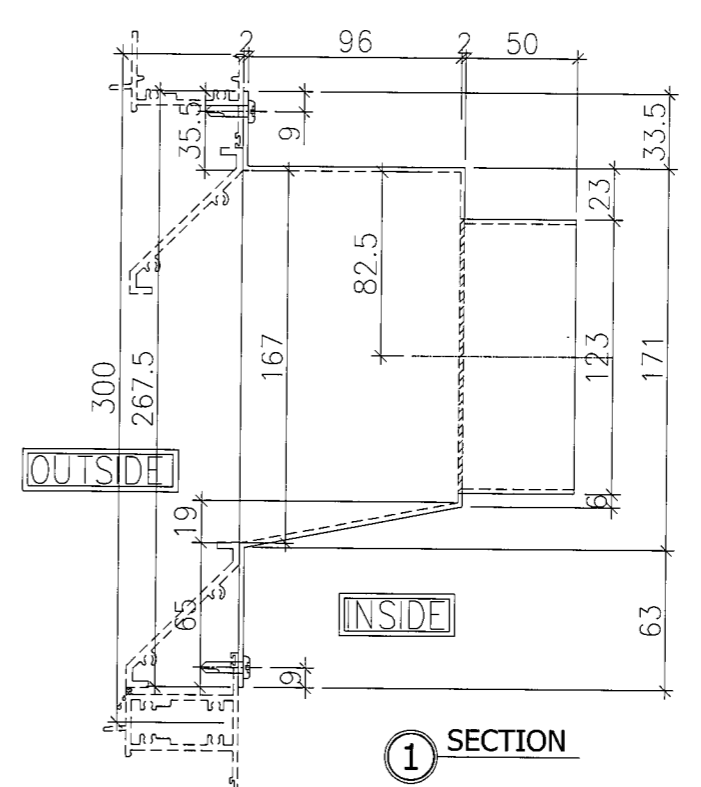
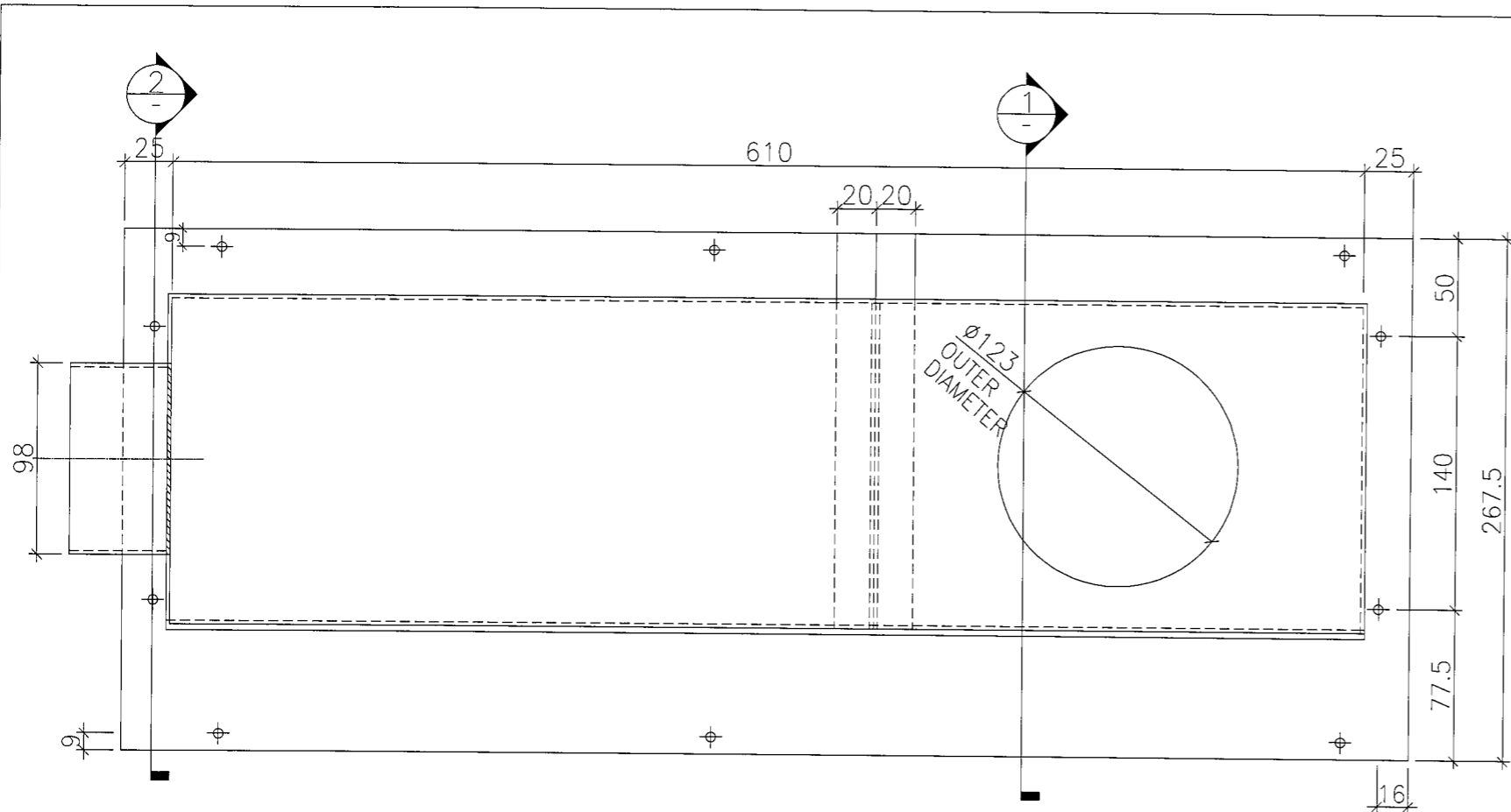
JOB NO. : J-837
 PROJECT :
 URA KWUN TONG TOWN CENTRE
 REDEVELOPMENT (AREA 2 & 3) AT
 NKIL 6514, KWUN TONG, KOWLOON

TITLE :
 TOWER AIR PLENUM BOX SCHEDULE
 (PRECAST FOR KITCHEN)

DATE : 04-JUL-18 SCALE : 1:##
 DRAWN BY : Zeng CHECKED BY : DW

美特鋁質有限公司
 MIDI ALUMINUM FABRICATOR LTD.
 Units 6-8, Sunray Industrial Centre, 1/F
 610 Cho Kwo Ling Road, Kowloon
 Tel:23489211-4 Fax:(852)27727666
 DWG NO. : JB37- PB-2112 REV. : A

BOX NO.	B	C	D	E	F	G	QTY.	WINDOW NO.
T5P/K-K	75	150	210	150	150	210	39	T5W/K-2



暫停

BOX NO.	B	C	D	E	QTY.	WINDOW NO.
T5P/L-K	60	125	340	270	39	T5W/L-2

B.D. REF :

CLIENT :
 信和置業有限公司
 Sino Land Company Limited

ARCHITECT :
 WONG TUNG & PARTNERS LIMITED
 ARCHITECTS & PLANNERS

MAIN CONTRACTOR :
 CR Construction Company Limited

STRUCTURAL ENGINEER :
 AECOM

FACADE CONSULTANT:

NOTE :
 1. ALL DIMENSIONS ARE IN mm.
 2. ALL ELEVATIONS ARE VIEWED FROM OUTSIDE.
 3. ALL DIMENSIONS TO BE VERIFIED ON SITE BEFORE FABRICATION.

LEGEND :
 X1 --- DETAIL MARK NO.
 X001 --- REFER SHEET NO.
 1. F.F.L. --- FINISHED FLOOR LEVEL
 2. S.F.L. --- STRUCTURAL FLOOR LEVEL
 3. (B) --- REVERSED DETAIL

A	2019/2/13	GENERAL REVISION	Zeng
NO.	DATE	REVISED	BY

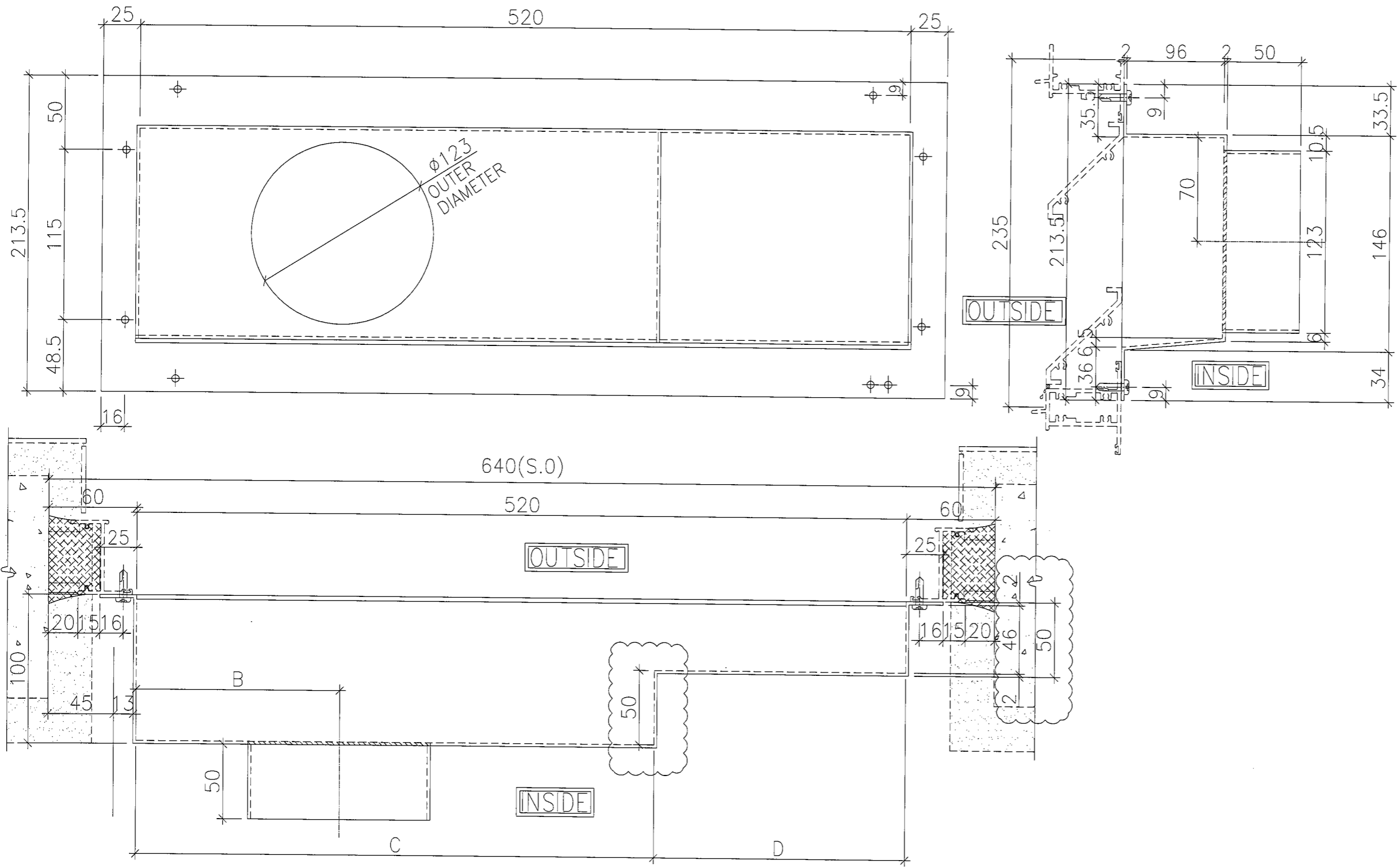
JOB NO. : J-837
 PROJECT :
 URA KWUN TONG TOWN CENTRE
 REDEVELOPMENT (AREA 2 & 3) AT
 NKIL 6514, KWUN TONG, KOWLOON

TITLE :
 TOWER AIR PLENUM BOX SCHEDULE
 (PRECAST FOR KITCHEN)

DATE : 04-JUL-18 SCALE : 1:##
 DRAWN BY : Zeng CHECKED BY : DW

美特鋁質有限公司
 MIDI ALUMINIUM FABRICATOR LTD.
 Units 6-8, Sunray Industrial Centre, 1/F
 610 Cha Kwo Ling Road, Kowloon
 Tel:23489211-4 Fax:(852)27727666

DWG NO. : J837- PB-2113 REV. : A



B.D. REF :

CLIENT :
 信和置業有限公司
 Sino Land Company Limited

ARCHITECT :
 WONG TUNG & PARTNERS LIMITED
 ARCHITECTS & PLANNERS

MAIN CONTRACTOR :
 CR Construction Company Limited

STRUCTURAL ENGINEER :
 AECOM

FACADE CONSULTANT:

NOTE :
 1. ALL DIMENSIONS ARE IN mm.
 2. ALL ELEVATIONS ARE VIEWED FROM OUTSIDE.
 3. ALL DIMENSIONS TO BE VERIFIED ON SITE BEFORE FABRICATION.

LEGEND :
 (X1) --- DETAIL MARK NO.
 (X001) --- REFER SHEET NO.
 1. F.F.L. --- FINISHED FLOOR LEVEL
 2. S.F.L. --- STRUCTURAL FLOOR LEVEL
 3. (R) --- REVERSED DETAIL

NO.	DATE	GENERAL REVISION	REVISED BY
A	2019/2/13		Zeng

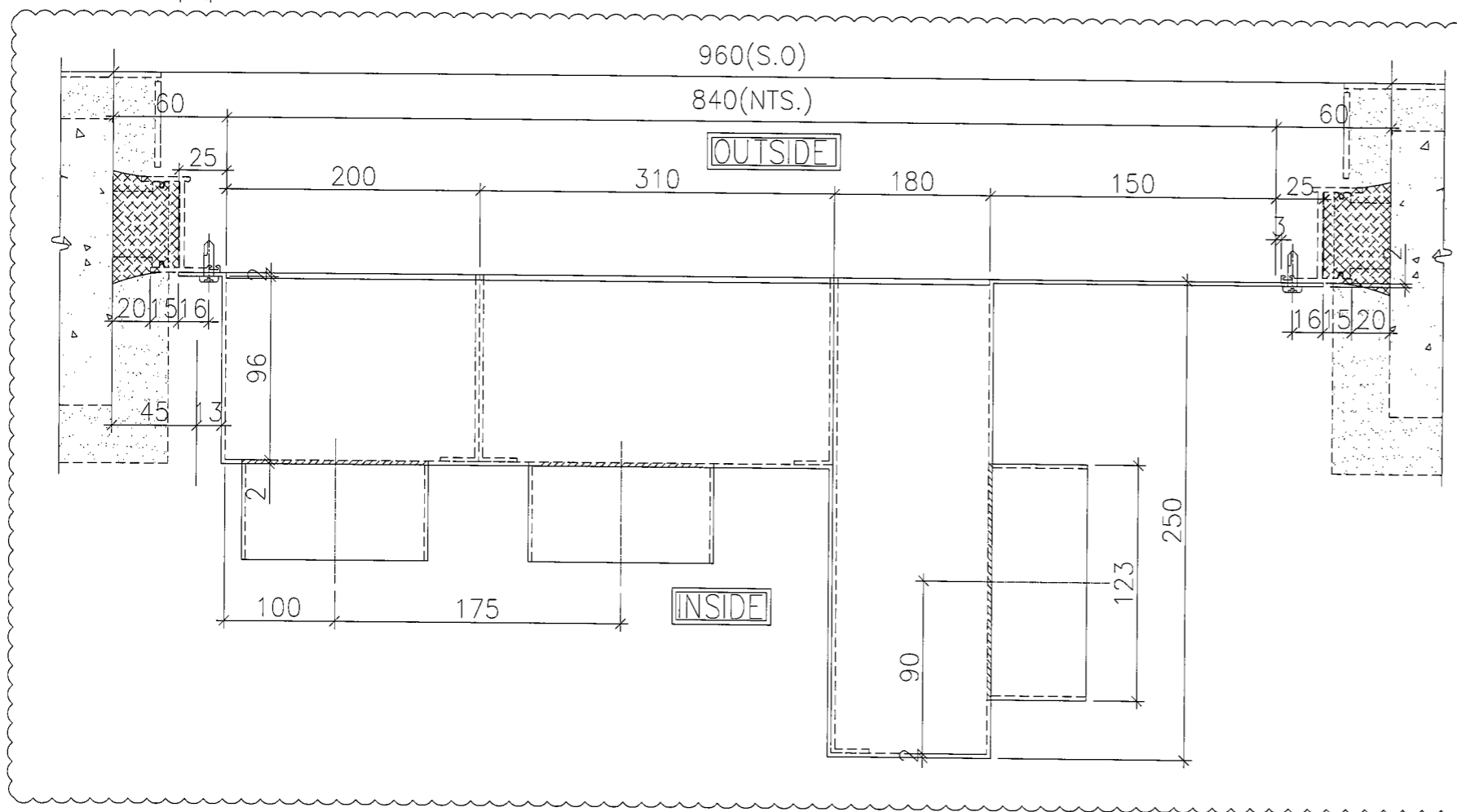
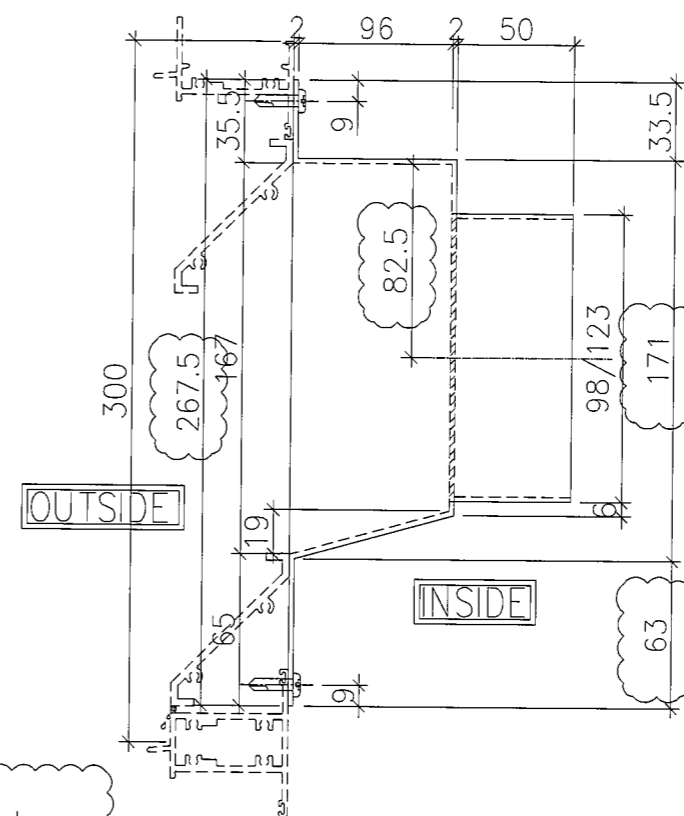
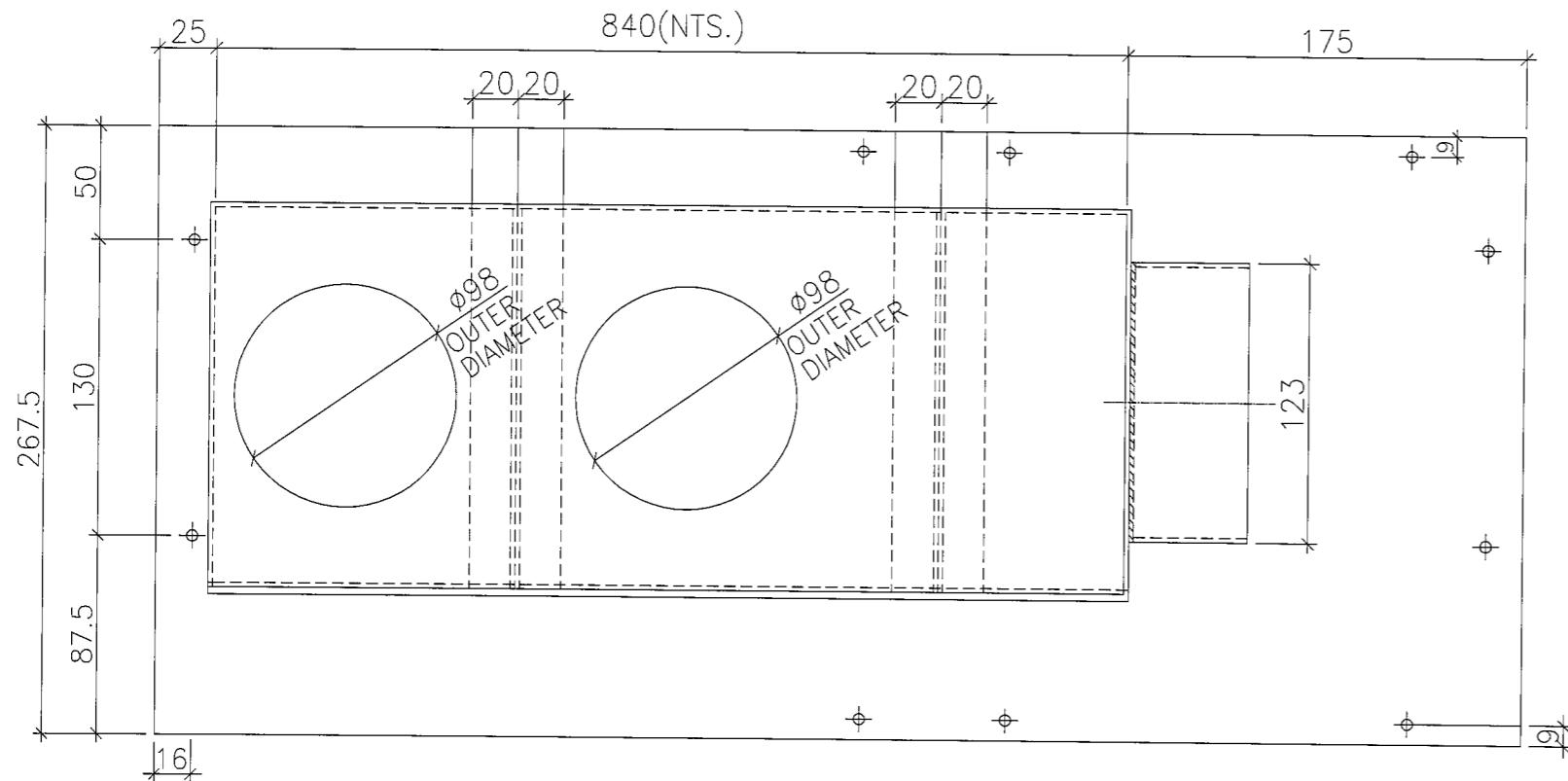
JOB NO. : J-837
 PROJECT :
 URA KWUN TONG TOWN CENTRE
 REDEVELOPMENT (AREA 2 & 3) AT
 NKIL 6514, KWUN TONG, KOWLOON

TITLE :
 TOWER AIR PLENUM BOX SCHEDULE
 (INSITU FOR BATHROOM)

DATE : 04-JUL-18 SCALE : 1:##
 DRAWN BY : Zeng CHECKED BY : DW

BOX NO.	B	C	D	QTY.	WINDOW NO.
T2P/H-B	150	300	220	42	T2W/H-1

美特鋁質有限公司
 MIDI ALUMINIUM FABRICATOR LTD.
 Units 6-8, Sunray Industrial Centre, 1/F
 610 Cha Kwo Ling Road, Kowloon
 Tel: 23489211-4 Fax: (852) 27727666
 DWG NO. : J837- PB-2114 REV. : -



暫停

B.D. REF :

CLIENT :
 信和置業有限公司
 Sino Land Company Limited

ARCHITECT :
 WONG TUNG & PARTNERS LIMITED
 ARCHITECTS & PLANNERS

MAIN CONTRACTOR :
 CR Construction Company Limited

STRUCTURAL ENGINEER :
 AECOM

FACADE CONSULTANT:

NOTE :
 1. ALL DIMENSIONS ARE IN mm.
 2. ALL ELEVATIONS ARE VIEWED FROM OUTSIDE.
 3. ALL DIMENSIONS TO BE VERIFIED ON SITE BEFORE FABRICATION.

LEGEND :
 X1 --- DETAIL MARK NO.
 X001 --- REFER SHEET NO.
 1. F.F.L. --- FINISHED FLOOR LEVEL
 2. S.F.L. --- STRUCTURAL FLOOR LEVEL
 3. (R) --- REVERSED DETAIL

NO.	DATE	GENERAL REVISION	REVISOR	BY
A	2019/2/13		Zeng	

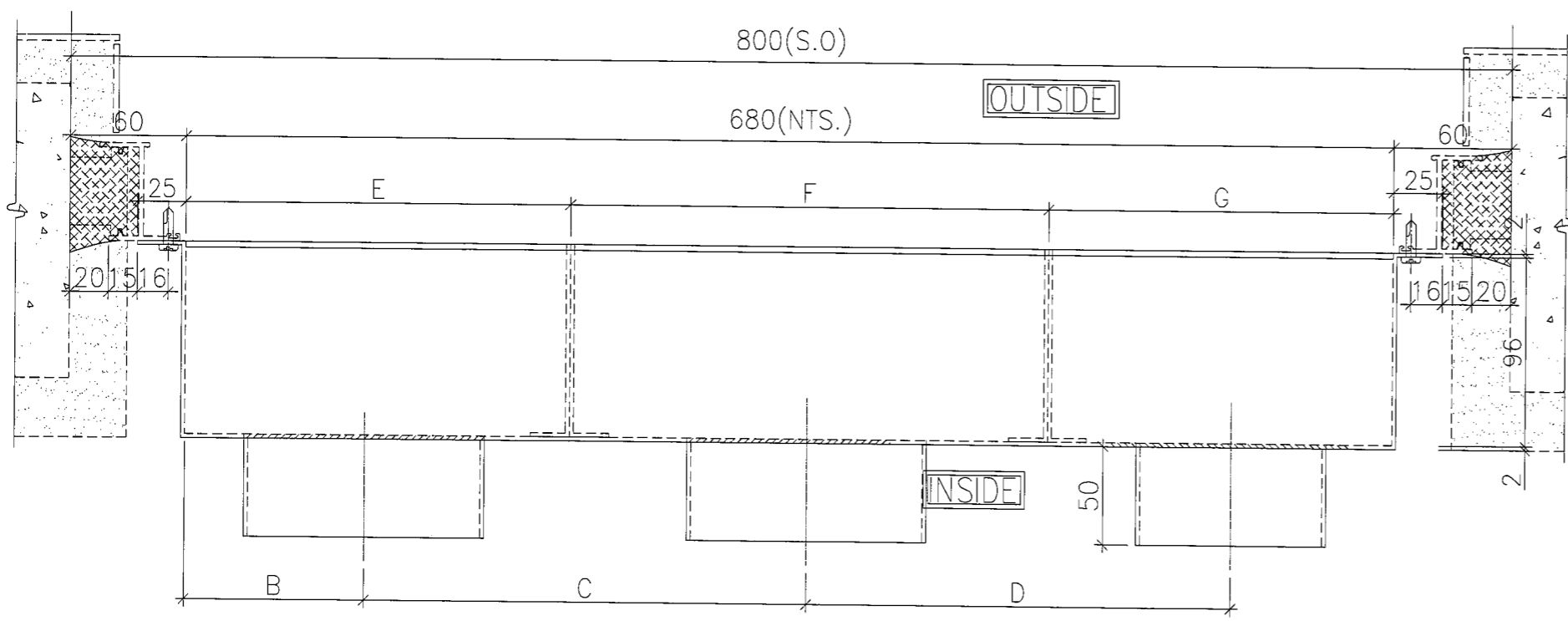
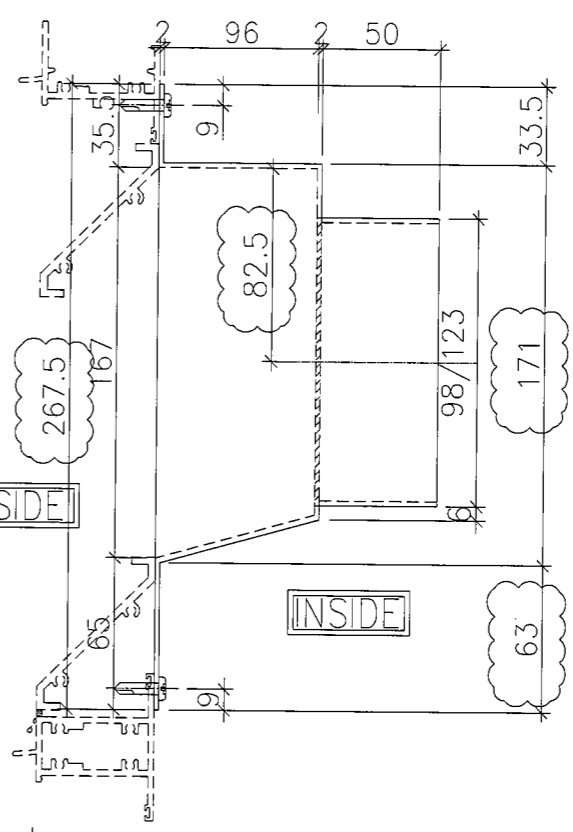
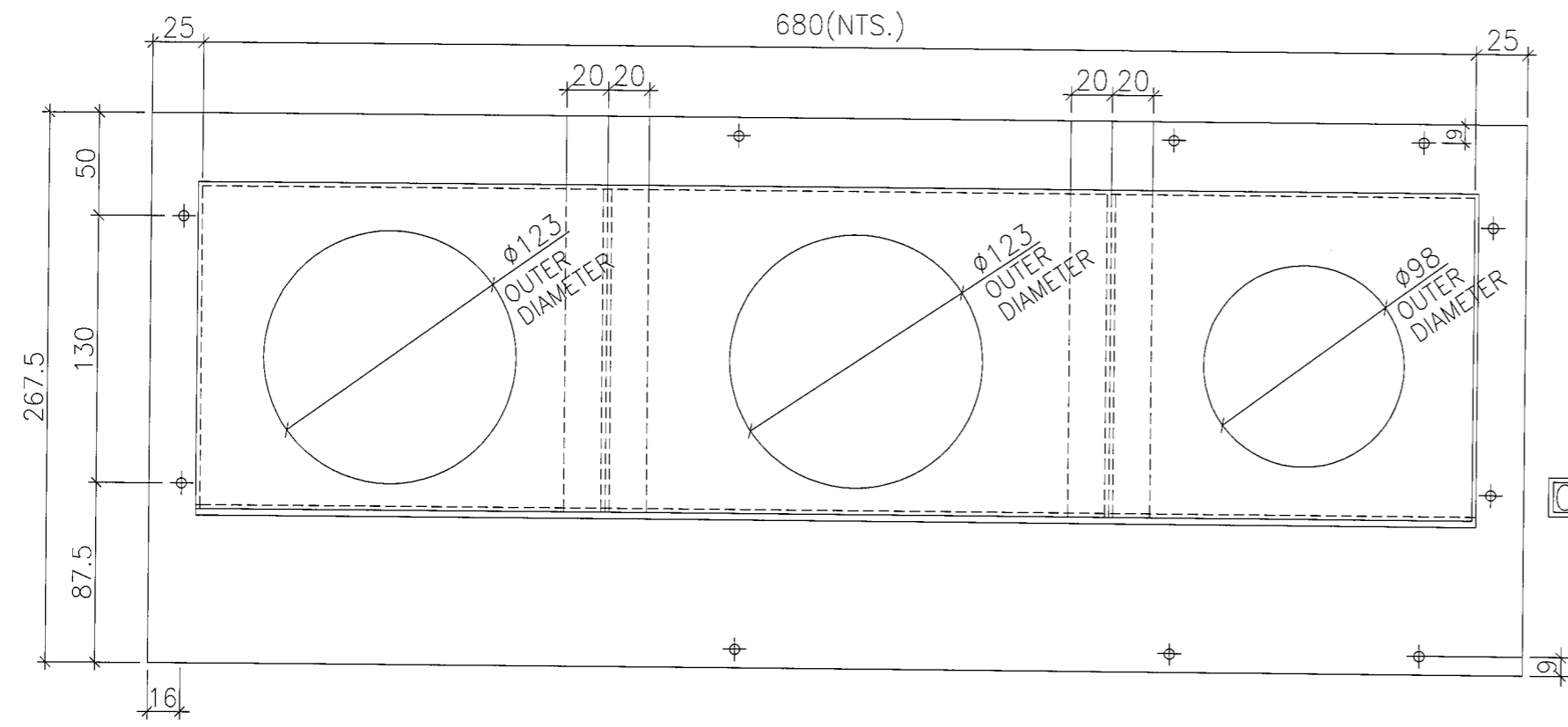
JOB NO. : J-837
 PROJECT :
 URA KWUN TONG TOWN CENTRE
 REDEVELOPMENT (AREA 2 & 3) AT
 NKIL 6514, KWUN TONG, KOWLOON

TITLE :
 TOWER AIR PLENUM BOX SCHEDULE
 (INSITU FOR KITCHEN)

DATE : 04-JUL-18 SCALE : 1:##
 DRAWN BY : Zeng CHECKED BY : DW

BOX NO.	QTY.	WINDOW NO.
T1P/A-K	39	T1W/A-1

美特鋁質有限公司
 MIDI ALUMINUM FABRICATOR LTD.
 Units 6-8, Sunray Industrial Centre, 1/F
 610 Cha Kwo Ling Road, Kowloon
 Tel: 23489211-4 Fax: (852) 27272666
 DWG NO. : J837- PB-2115 REV. : A



B.D. REF :

CLIENT :
 信和置業有限公司
 Sino Land Company Limited

ARCHITECT :
 WONG TUNG & PARTNERS LIMITED
 ARCHITECTS & PLANNERS

MAIN CONTRACTOR :
 CR Construction Company Limited

STRUCTURAL ENGINEER :
 AECOM

FACADE CONSULTANT:

NOTE :
 1. ALL DIMENSIONS ARE IN mm.
 2. ALL ELEVATIONS ARE VIEWED FROM OUTSIDE.
 3. ALL DIMENSIONS TO BE VERIFIED ON SITE BEFORE FABRICATION.

LEGEND :
 X1 --- DETAIL MARK NO.
 X001 --- REFER SHEET NO.
 1. F.F.L. --- FINISHED FLOOR LEVEL
 2. S.F.L. --- STRUCTURAL FLOOR LEVEL
 3. (B) --- REVERSED DETAIL

A	2019/2/13	GENERAL REVISION	Zeng
NO.	DATE	REVISED	BY

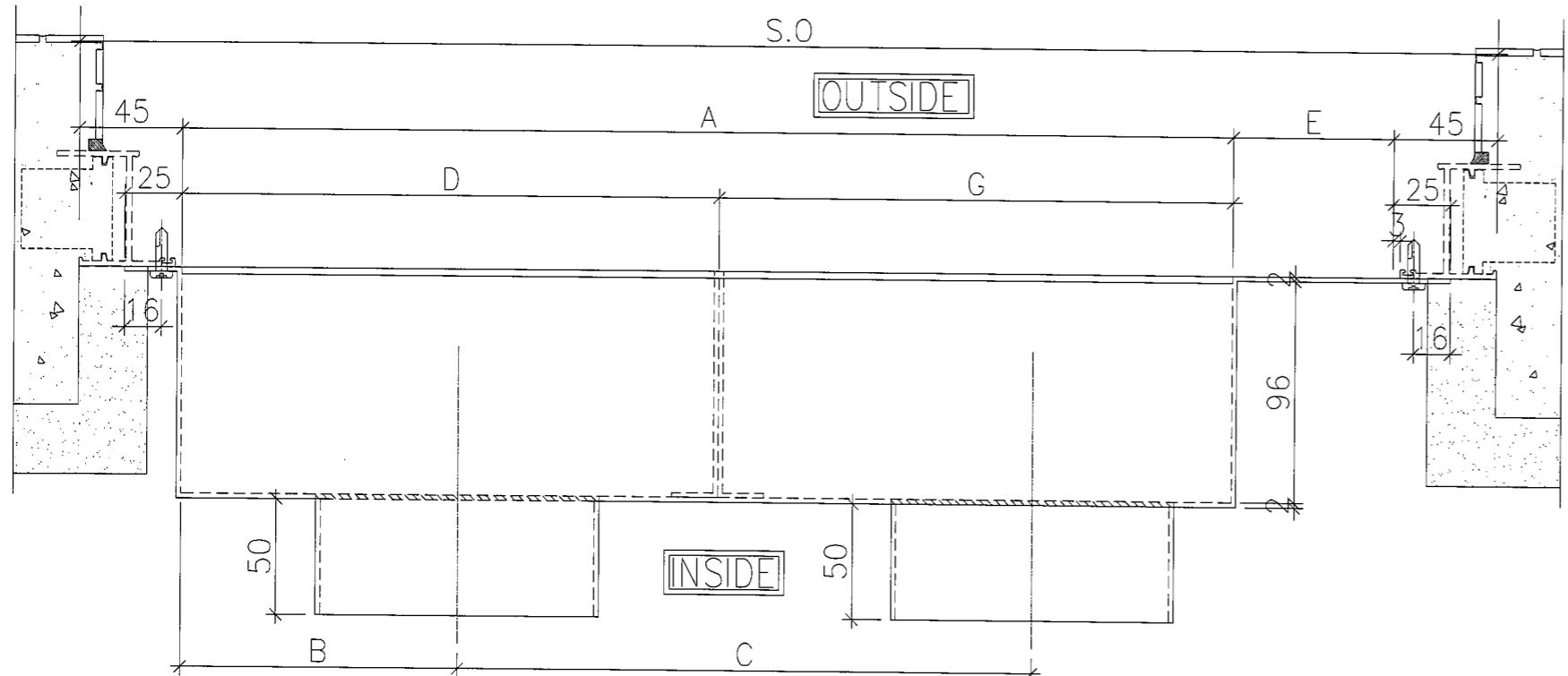
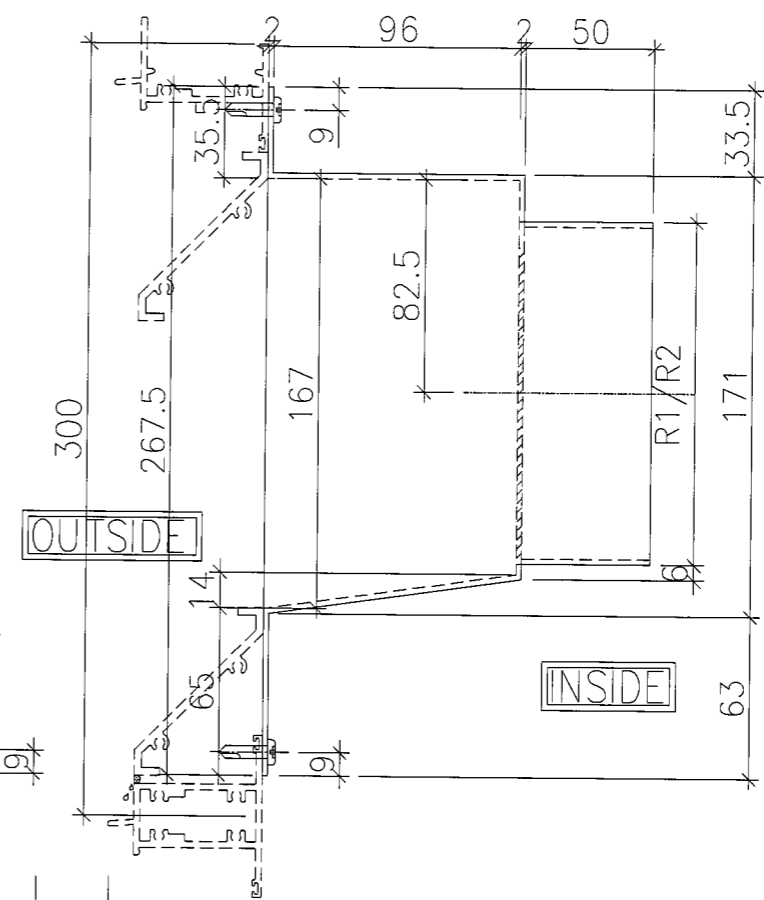
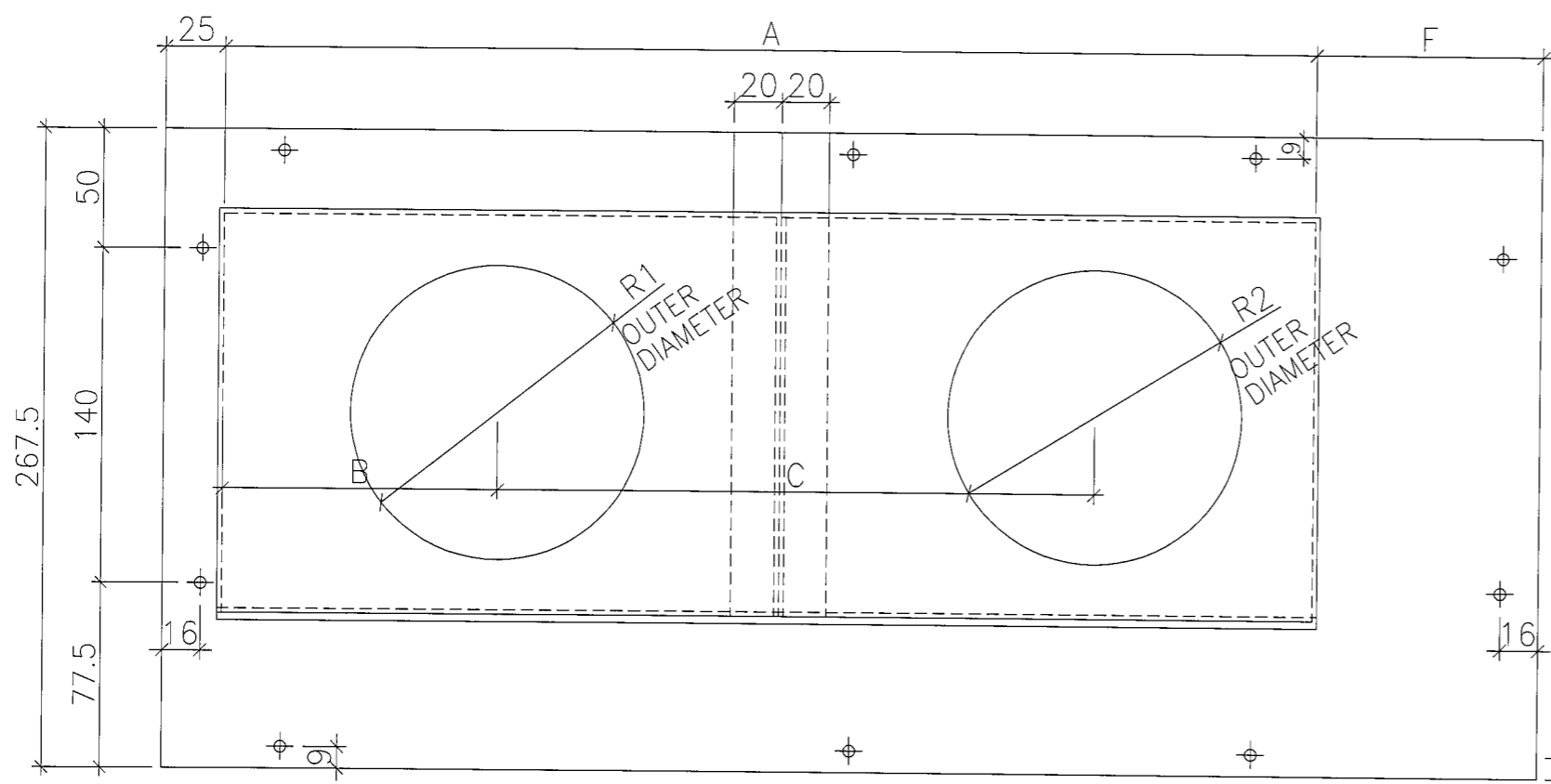
JOB NO. : J-837
 PROJECT :
 URA KWUN TONG TOWN CENTRE
 REDEVELOPMENT (AREA 2 & 3) AT
 NKIL 6514, KWUN TONG, KOWLOON

TITLE :
 TOWER AIR PLENUM BOX SCHEDULE
 (INSITU FOR BATHROOM)

DATE : 04-JUL-18 SCALE : 1:##
 DRAWN BY : Zeng CHECKED BY : DW

BOX NO.	B	C	D	E	F	G	QTY	WINDOW NO.
T5P/C-B	105	255	330	210	315	155	14	T5W/C-1

美特鋁質有限公司
 MIDI ALUMINIUM FABRICATOR LTD.
 Units 6-8, Sunray Industrial Centre, 1/F
 610 Cha Kwo Ling Road, Kowloon
 Tel: 23489211-4 Fax: (852) 27727666
 DWG NO. : J837- PB-2117 REV. : A



暫停

BOX NO.	S. O	A	B	C	D	E	F	G	R1	R2	QTY.	WINDOW NO.
T2P/E-K	1050	630	190	315	380	330	355	250	98	123	43	T2W/E-1
T2P/F-K	700	560	100	255	200	50	75	360	123	98	43	T2W/F-2
T3P/F-K	700	530	170	300	250	80	105	280	123	98	40	T3W/F-1
T3P/B-K	950	610	125	210	250	250	275	360	98	123	41	T3W/B-3
T5P/G-K	900	610	125	280	250	200	225	360	123	98	39	T5W/G-1
T1P/B-K	1000	910	125	305	250	300	325	660	123	98	39	T1W/B-1

B.O. REF :

CLIENT :
 信和置業有限公司
 Sino Land Company Limited

ARCHITECT :
 WONG TUNG & PARTNERS LIMITED
 ARCHITECTS & PLANNERS

MAIN CONTRACTOR :
 CR Construction Company Limited

STRUCTURAL ENGINEER :
 AECOM

FACADE CONSULTANT:

NOTE :
 1. ALL DIMENSIONS ARE IN mm.
 2. ALL ELEVATIONS ARE VIEWED FROM OUTSIDE.
 3. ALL DIMENSIONS TO BE VERIFIED ON SITE BEFORE FABRICATION.

LEGEND :
 (X1) --- DETAIL MARK NO.
 (X001) --- REFER SHEET NO.
 1. F.F.L. --- FINISHED FLOOR LEVEL
 2. S.F.L. --- STRUCTURAL FLOOR LEVEL
 3. (R) --- REVERSED DETAIL

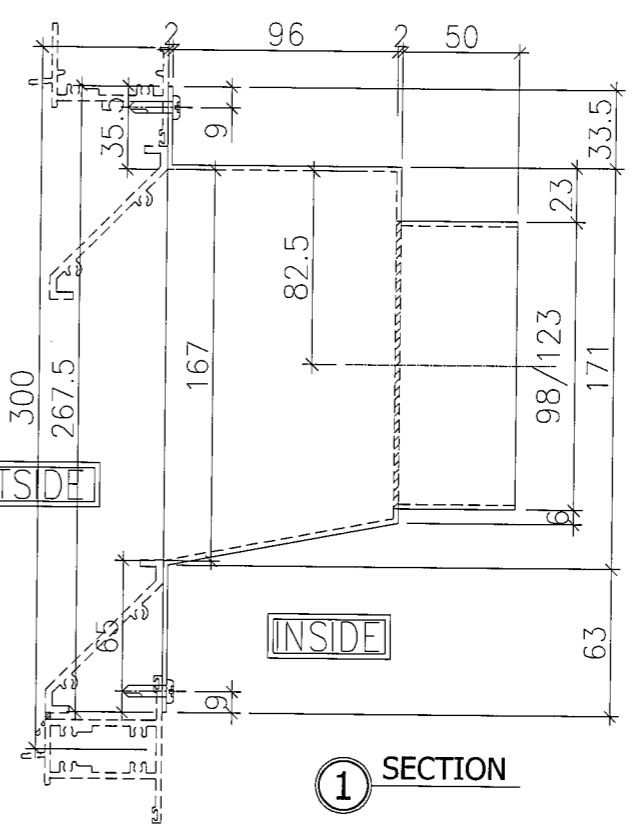
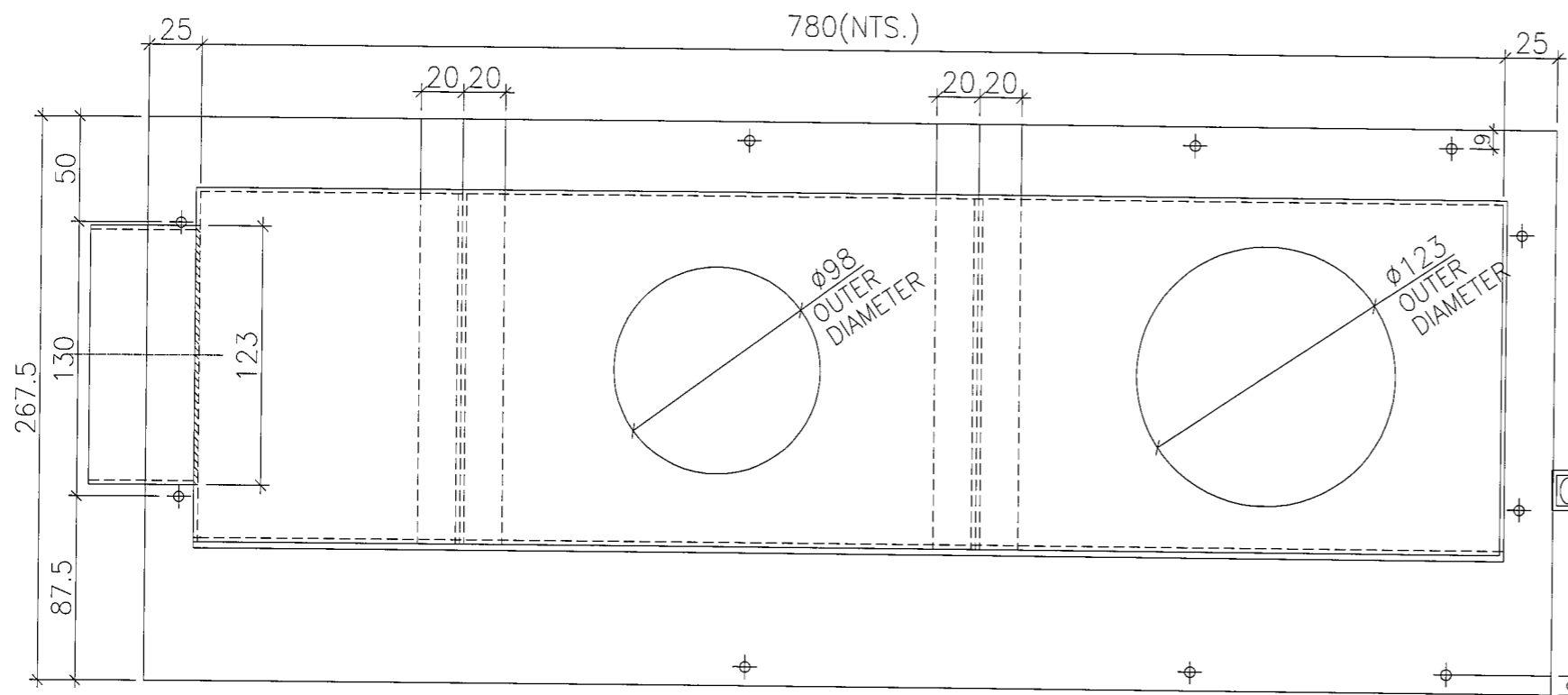
NO.	DATE	REVISED	BY
-----	------	---------	----

JOB NO. : J-837
 PROJECT :
 URA KWUN TONG TOWN CENTRE
 REDEVELOPMENT (AREA 2 & 3) AT
 NKIL 6514, KWUN TONG, KOWLOON

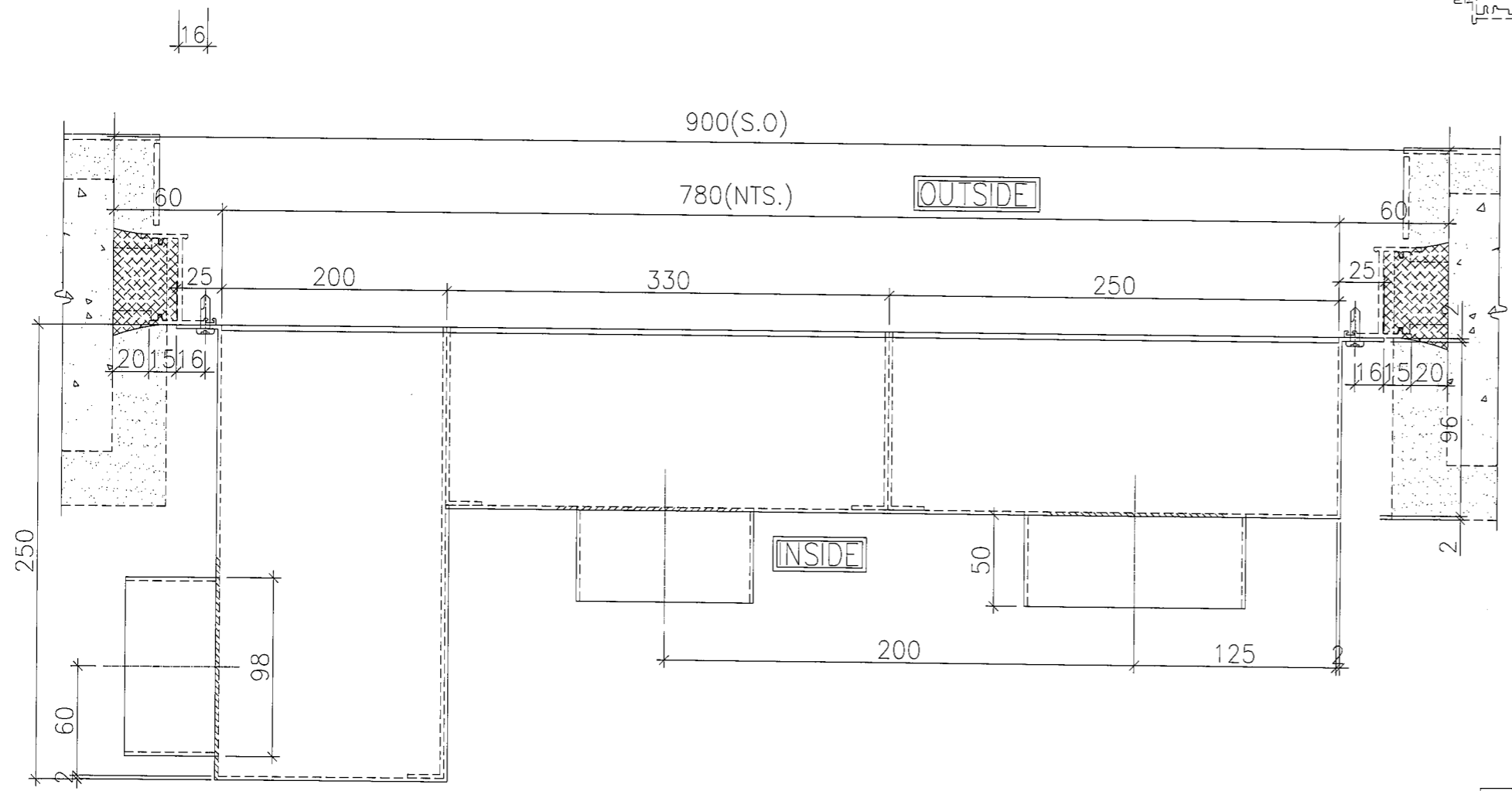
TITLE :
 TOWER AIR PLENUM BOX SCHEDULE
 (PRECAST FOR KITCHEN)

DATE : 04-JUL-18 SCALE : 1:##
 DRAWN BY : Zeng CHECKED BY : DW

美特鋁質有限公司
 MIDI ALUMINUM FABRICATOR LTD.
 Units 6-8, Sunray Industrial Centre, 1/F
 610 Cha Kwo Ling Road, Kowloon
 Tel: 23489211-4 Fax: (852) 27727666
 DWG NO. : JB37- PB-2118 REV. : -



① SECTION



High zone
(不予此款)

BOX NO.	D	E	F	G	QTY.	WINDOW NO.
T5P/C-K	105	255	280	145	25	T5W/C-2

B.D. REF :

CLIENT :
 信和置業有限公司
 Sino Land Company Limited

ARCHITECT :
 WONG TUNG & PARTNERS LIMITED
 ARCHITECTS & PLANNERS

MAIN CONTRACTOR :
 CR Construction Company Limited

STRUCTURAL ENGINEER :
 AECOM

FACADE CONSULTANT:

NOTE :
 1. ALL DIMENSIONS ARE IN mm.
 2. ALL ELEVATIONS ARE VIEWED FROM OUTSIDE.
 3. ALL DIMENSIONS TO BE VERIFIED ON SITE BEFORE FABRICATION.

LEGEND :
 XI — DETAIL MARK NO.
 X001 — REFER SHEET NO.
 1. F.F.L. — FINISHED FLOOR LEVEL
 2. S.F.L. — STRUCTURAL FLOOR LEVEL
 3. (R) — REVERSED DETAIL

NO.	DATE	REVISED	BY

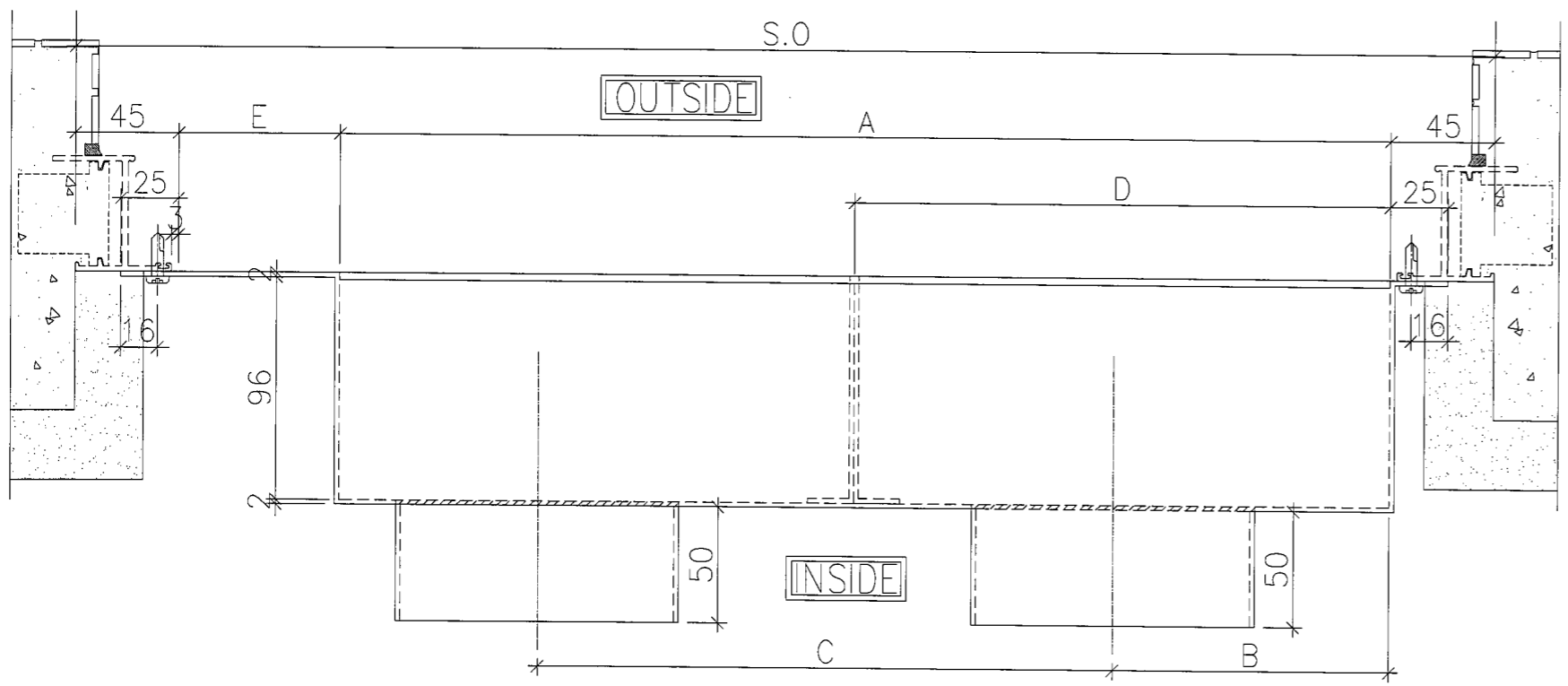
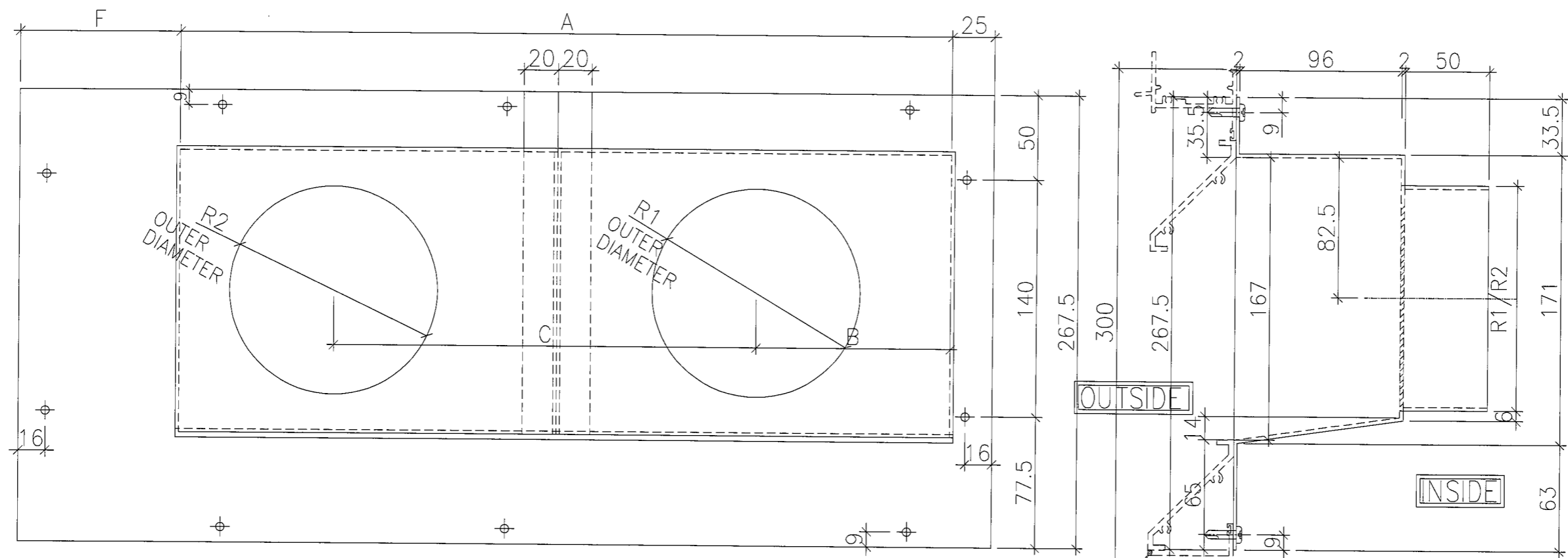
JOB NO. : J-837
 PROJECT : URA KWUN TONG TOWN CENTRE REDEVELOPMENT (AREA 2 & 3) AT NKIL 6514, KWUN TONG, KOWLOON

TITLE : TOWER AIR PLENUM BOX SCHEDULE (INSITU FOR BATHROOM)

DATE : 04-JUL-18 SCALE : 1:##
 DRAWN BY : Zeng CHECKED BY : DW

美特鋁質有限公司
 MIDI ALUMINIUM FABRICATOR LTD.
 Units 6-8, Sunray Industrial Centre, 1/F
 610 Cha Kwo Ling Road, Kowloon
 Tel: 23489211-4 Fax: (852) 27727666

DWG NO. : J837-PB-2121 REV. : -



BOX NO.	S. 0	A	B	C	D	E	R1	R2	QTY.	WINDOW NO.
T5P/N-K	700	510	100	225	200	100	123	98	39	T5W/N-3
T1P/F-K	700	510	260	160	330	100	123	98	39	T1W/F-1
T3P/L-K	900	640	125	200	250	170	123	98	41	T3W/L-1

B.D. REF :

CLIENT :
 信和置業有限公司
 Sino Land Company Limited

ARCHITECT :
 WONG TUNG & PARTNERS LIMITED
 ARCHITECTS & PLANNERS

MAIN CONTRACTOR :
 CR Construction Company Limited

STRUCTURAL ENGINEER :
 AECOM

FACADE CONSULTANT:

NOTE :
 1. ALL DIMENSIONS ARE IN mm.
 2. ALL ELEVATIONS ARE VIEWED FROM OUTSIDE.
 3. ALL DIMENSIONS TO BE VERIFIED ON SITE BEFORE FABRICATION.

LEGEND :
 X1 --- DETAIL MARK NO.
 X001 --- REFER SHEET NO.
 1. F.F.L. --- FINISHED FLOOR LEVEL
 2. S.F.L. --- STRUCTURAL FLOOR LEVEL
 3. (R) --- REVERSED DETAIL

NO.	DATE	REVISED	BY

JOB NO. : J-837

PROJECT :
 URA KWUN TONG TOWN CENTRE
 REDEVELOPMENT (AREA 2 & 3) AT
 NKIL 6514, KWUN TONG, KOWLOON

TITLE :
 TOWER AIR PLENUM BOX SCHEDULE
 (PRECAST FOR KITCHEN)

DATE : 04-JUL-18 SCALE : 1:##

DRAWN BY : Zeng CHECKED BY : DW


美特鋁質有限公司
 MIDI ALUMINUM FABRICATOR LTD.
 Units 6-8, Sunray Industrial Centre, 1/F
 610 Cha Kwo Ling Road, Kowloon
 Tel: 23489211-4 Fax: (852) 27727666

DWG NO. : JB37- PB-2122 REV. : -

B.D. REF :

CLIENT :
 信和置業有限公司
 Sino Land Company Limited

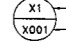

ARCHITECT :
 WONG TUNG & PARTNERS LIMITED
 ARCHITECTS & PLANNERS


MAIN CONTRACTOR :
 CR Construction Company Limited

STRUCTURAL ENGINEER :


FACADE CONSULTANT:

NOTE :
 1. ALL DIMENSIONS ARE IN mm.
 2. ALL ELEVATIONS ARE VIEWED FROM OUTSIDE.
 3. ALL DIMENSIONS TO BE VERIFIED ON SITE BEFORE FABRICATION.

LEGEND:
 X1 --- DETAIL MARK NO.
 X001 --- REFER SHEET NO.
 1. F.F.L. --- FINISHED FLOOR LEVEL
 2. S.F.L. --- STRUCTURAL FLOOR LEVEL
 3. (R) --- REVERSED DETAIL

NO.	DATE	REVISED	BY

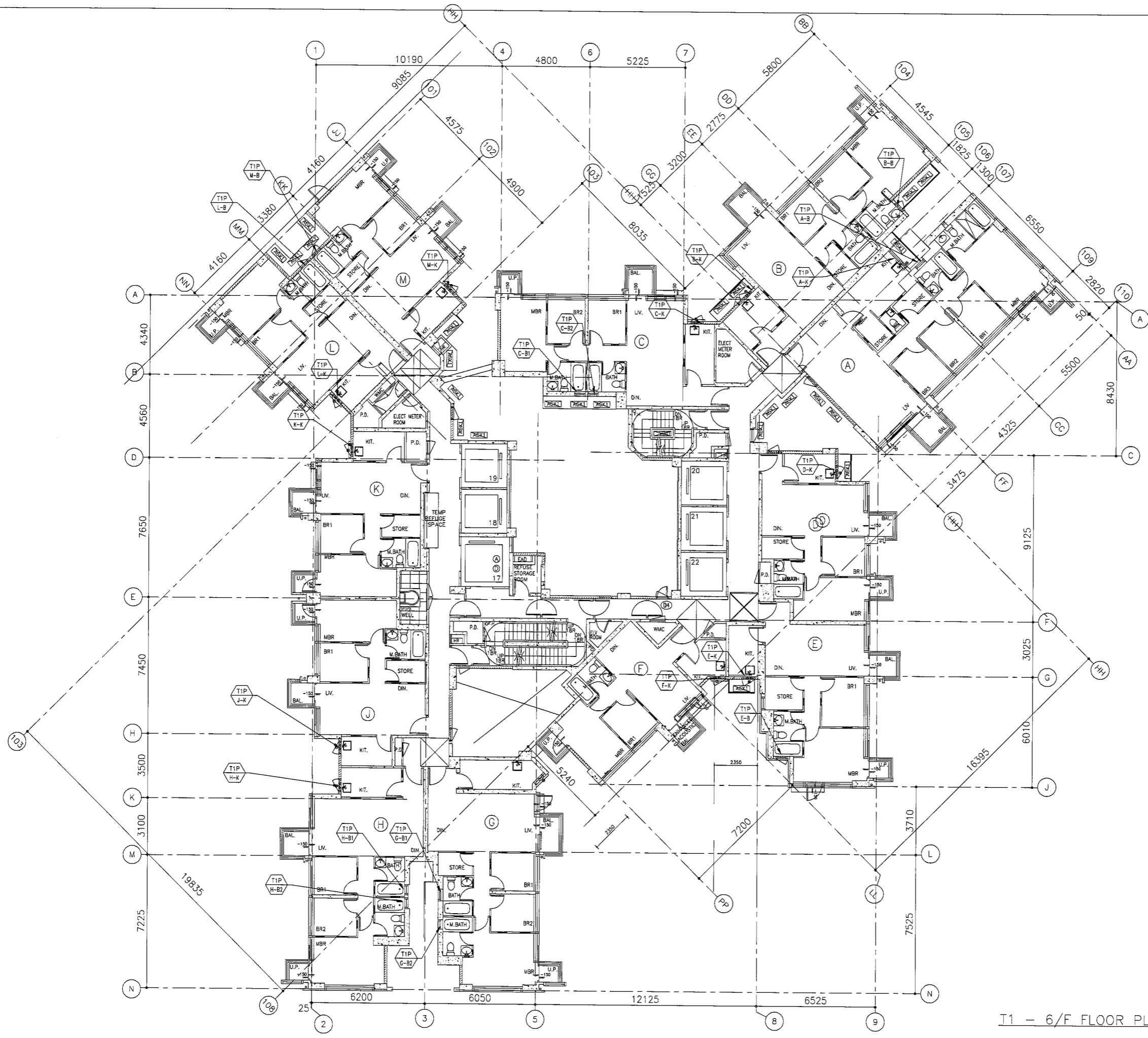
JOB NO. : J-837
 PROJECT :
 URA KWUN TONG TOWN CENTRE
 REDEVELOPMENT (AREA 2 & 3) AT
 NKIL 6514, KWUN TONG, KOWLOON

TITLE :
 FULL PLAN LAYOUT
 (FOR T1 6/F FLOOR PLAN)

DATE : 04-JUL-18 SCALE : 1:200
 DRAWN BY : Zeng CHECKED BY : DW

 美特鋁質有限公司
 MIDI ALUMINIUM FABRICATOR LTD.
 Units 6-8, Sunray Industrial Centre, 1/F
 610 Cho Kwo Ling Road, Kowloon
 Tel: 23489211-4 Fax: (852) 2727666

DWG NO. : JB37-PB-3101 REV. : -




T1 - 6/F FLOOR PLAN

B.D. REF :

CLIENT :
 信和置業有限公司
 Sino Land Company Limited

ARCHITECT :
 WONG TUNG & PARTNERS LIMITED
 ARCHITECTS & PLANNERS


MAIN CONTRACTOR :
 CR Construction Company Limited

STRUCTURAL ENGINEER :


FACADE CONSULTANT:

NOTE :
 1. ALL DIMENSIONS ARE IN mm.
 2. ALL ELEVATIONS ARE VIEWED FROM OUTSIDE.
 3. ALL DIMENSIONS TO BE VERIFIED ON SITE BEFORE FABRICATION.

LEGEND :
 (X1) --- DETAIL MARK NO.
 (X001) --- REFER SHEET NO.
 1. F.F.L. --- FINISHED FLOOR LEVEL
 2. S.F.L. --- STRUCTURAL FLOOR LEVEL
 3. (R) --- REVERSED DETAIL

NO.	DATE	REVISED	BY

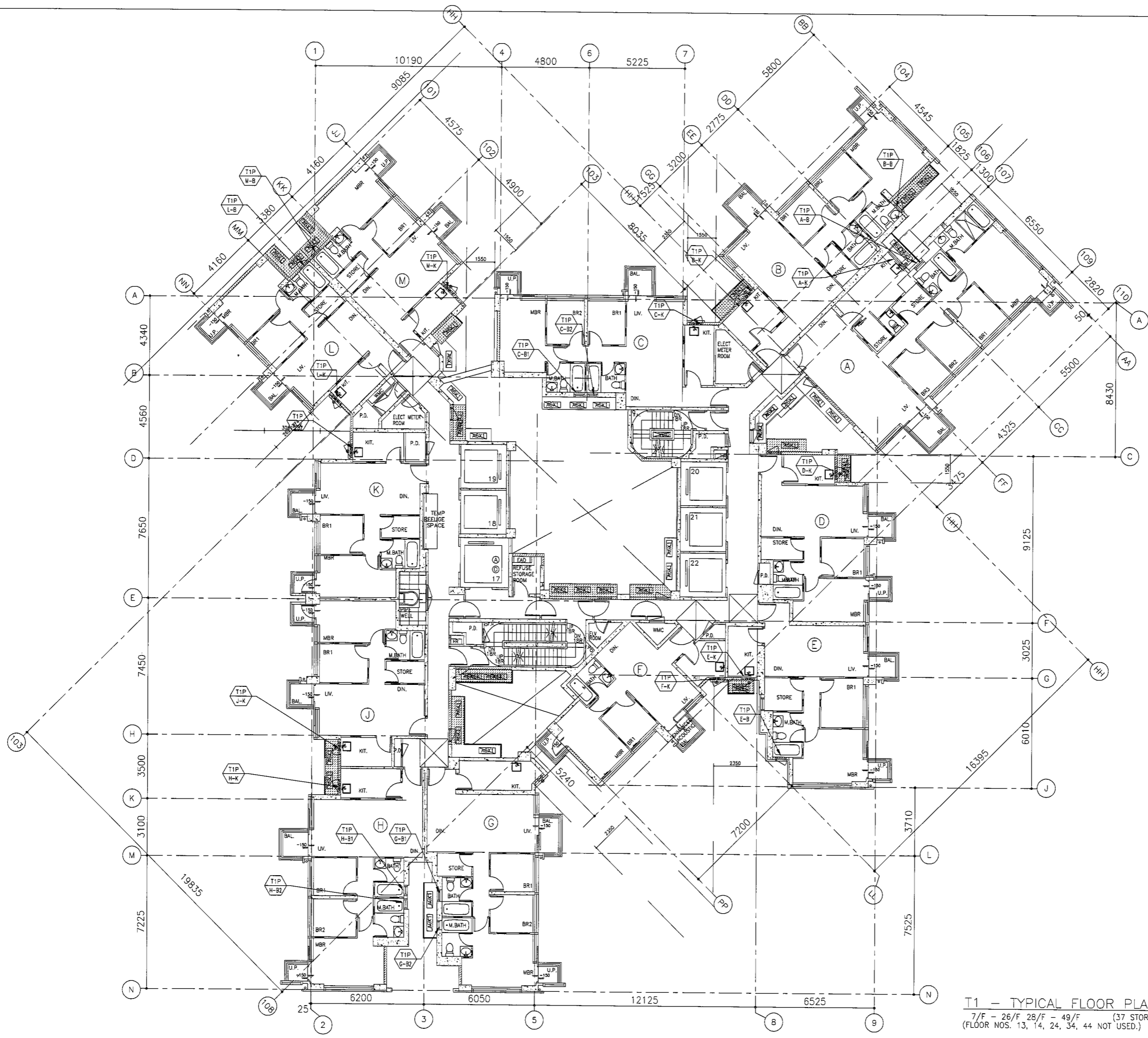
JOB NO. : J-837
 PROJECT :
 URA KWUN TONG TOWN CENTRE
 REDEVELOPMENT (AREA 2 & 3) AT
 NKIL 6514, KWUN TONG, KOWLOON

TITLE :
 FULL PLAN LAYOUT
 (FOR T1 TYPICAL FLOOR PLAN)

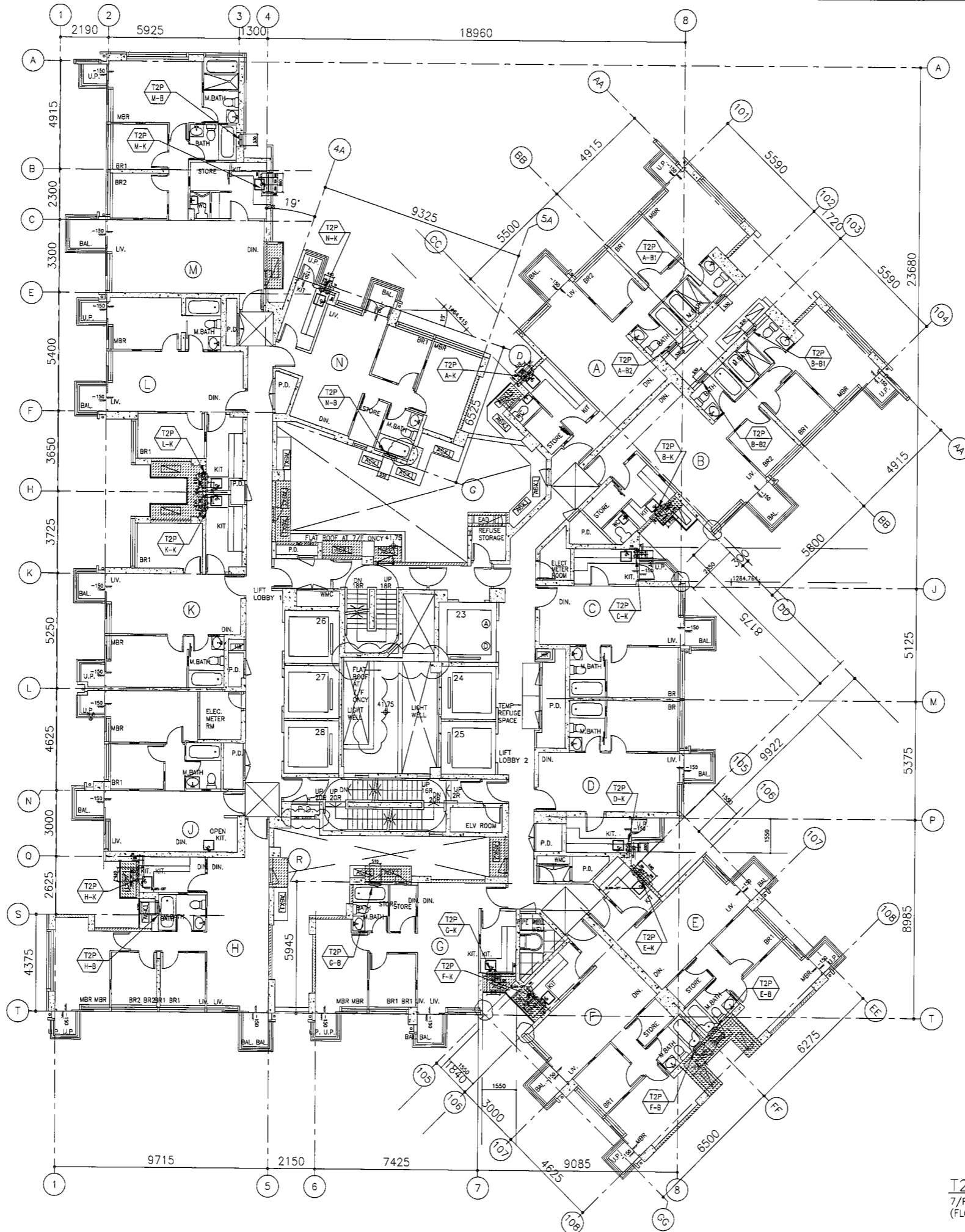
DATE : 04-JUL-18 SCALE : 1:200
 DRAWN BY : Zeng CHECKED BY : DW

 美特鋁質有限公司
 MIDI ALUMINIUM FABRICATOR LTD.
 Units 6-8, Sunray Industrial Centre, 1/F
 610 Cho Kwo Ling Road, Kowloon
 Tel: 23489211-4 Fax: (852) 2727666

DWG NO. : J837-PB-3102 REV. : -



T1 - TYPICAL FLOOR PLAN
 7/F - 26/F 28/F - 49/F (37 STOREYS)
 (FLOOR NOS. 13, 14, 24, 34, 44 NOT USED.)




T2 - TYPICAL FLOOR PLAN
 7/F - 26/F 28/F - 53F (41 STOREYS)
 (FLOOR NOS. 13, 14, 24, 34, 44, 54 NOT USED.)

B.D. REF :

CLIENT :
 信和置業有限公司
 Sino Land Company Limited

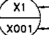
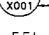
ARCHITECT :
 WONG TUNG & PARTNERS LIMITED
 ARCHITECTS & PLANNERS


MAIN CONTRACTOR :
 CR Construction Company Limited

STRUCTURAL ENGINEER :


FACADE CONSULTANT:

NOTE :
 1. ALL DIMENSIONS ARE IN mm.
 2. ALL ELEVATIONS ARE VIEWED FROM OUTSIDE.
 3. ALL DIMENSIONS TO BE VERIFIED ON SITE BEFORE FABRICATION.

LEGEND :
 -- DETAIL MARK NO.
 -- REFER SHEET NO.
 1. F.F.L. -- FINISHED FLOOR LEVEL
 2. S.F.L. -- STRUCTURAL FLOOR LEVEL
 3. (R) -- REVERSED DETAIL

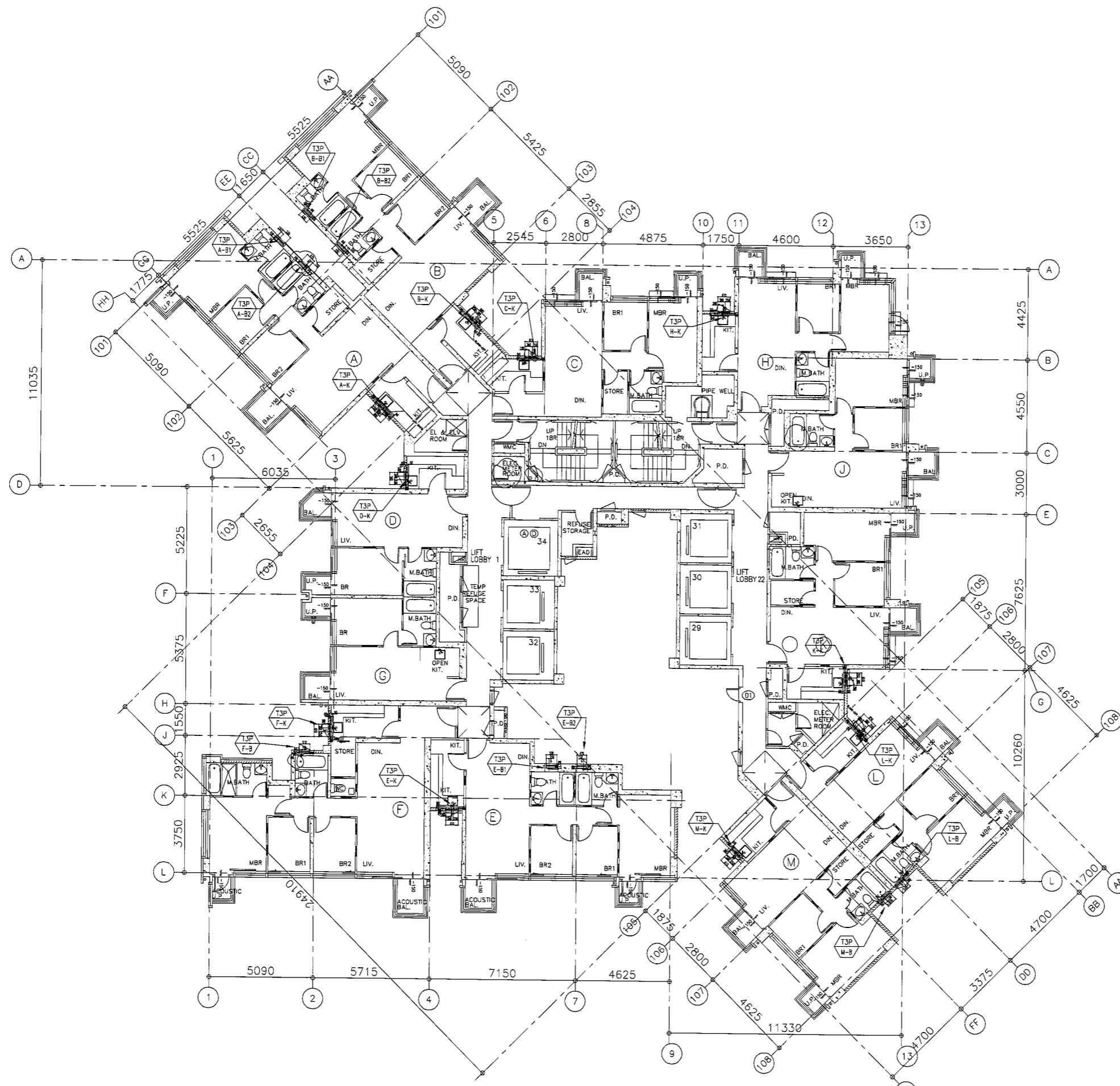
NO.	DATE	REVISED	BY
JOB NO. : J-837			
PROJECT : URA KWUN TONG TOWN CENTRE REDEVELOPMENT (AREA 2 & 3) AT NKIL 6514, KWUN TONG, KOWLOON			

TITLE :
 FULL PLAN LAYOUT
 (FOR T2 TYPICAL FLOOR PLAN)

DATE : 04-JUL-18 SCALE : 1:200
 DRAWN BY : Zeng CHECKED BY : DW

 美特鋁質有限公司
 MIDI ALUMINIUM FABRICATOR LTD.
 Units 6-8, Sunray Industrial Centre, 1/F
 610 Cho Kwo Ling Road, Kowloon
 Tel: 23489211-4 Fax: (852) 27727666

DWG NO. : J837-PB-3202 REV. : -





T3 - 6/F FLOOR PLAN

B.D. REF :

CLIENT :
 信和置業有限公司
 Sino Land Company Limited

ARCHITECT :
 WONG TUNG & PARTNERS LIMITED
 ARCHITECTS & PLANNERS


MAIN CONTRACTOR :
 CR Construction Company Limited

STRUCTURAL ENGINEER :


FACADE CONSULTANT:

NOTE :
 1. ALL DIMENSIONS ARE IN mm.
 2. ALL ELEVATIONS ARE VIEWED FROM OUTSIDE.
 3. ALL DIMENSIONS TO BE VERIFIED ON SITE BEFORE FABRICATION.


LEGEND :
 X1 --- DETAIL MARK NO.
 X001 --- REFER SHEET NO.
 1. F.F.L. --- FINISHED FLOOR LEVEL
 2. S.F.L. --- STRUCTURAL FLOOR LEVEL
 3. (R) --- REVERSED DETAIL

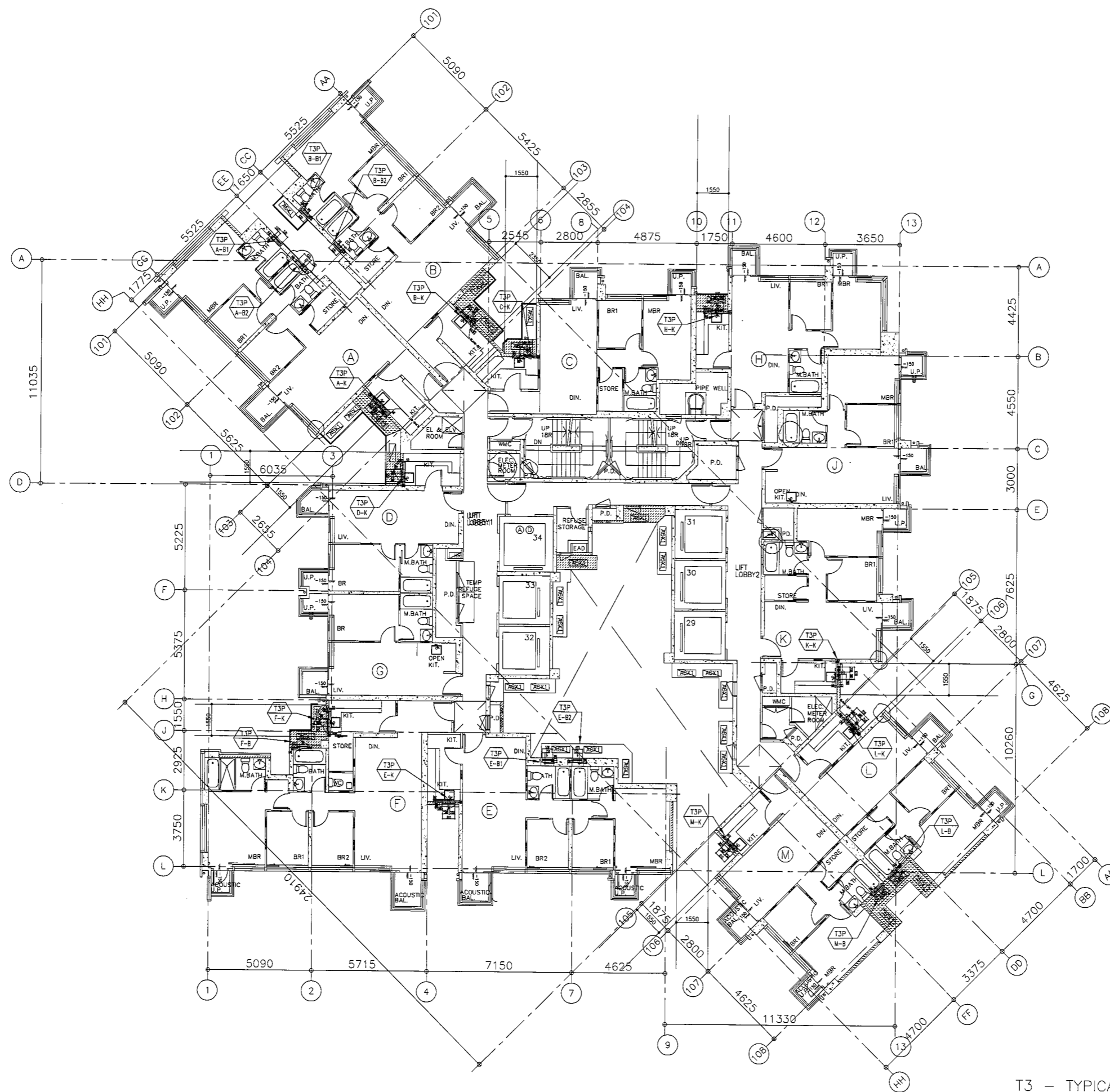
NO.	DATE	REVISED	BY

JOB NO. : J-837
 PROJECT :
 URA KWUN TONG TOWN CENTRE
 REDEVELOPMENT (AREA 2 & 3) AT
 NKIL 6514, KWUN TONG, KOWLOON

TITLE :
 FULL PLAN LAYOUT
 (FOR T3 6/F FLOOR PLAN)

DATE : 04-JUL-18 SCALE : 1:200
 DRAWN BY : Zeng CHECKED BY : DW


 美特鋁質有限公司
 MIDI ALUMINUM FABRICATOR LTD.
 Units 6-8, Sunray Industrial Centre, 1/F
 610 Cha Kwo Ling Road, Kowloon
 Tel: 23489211-4 Fax: (852) 2727666
 DWG NO. : J837-PB-3301 REV. : -




B.D. REF :

CLIENT :
 信和置業有限公司
 Sino Land Company Limited

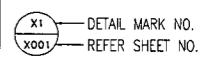
ARCHITECT :
 WONG TUNG & PARTNERS LIMITED
 ARCHITECTS & PLANNERS

MAIN CONTRACTOR :
 CR Construction Company Limited

STRUCTURAL ENGINEER :
 AECOM

FACADE CONSULTANT :

NOTE :
 1. ALL DIMENSIONS ARE IN mm.
 2. ALL ELEVATIONS ARE VIEWED FROM OUTSIDE.
 3. ALL DIMENSIONS TO BE VERIFIED ON SITE BEFORE FABRICATION.

LEGEND :
 X1 -- DETAIL MARK NO.
 X001 -- REFER SHEET NO.
 1. F.F.L. -- FINISHED FLOOR LEVEL
 2. S.F.L. -- STRUCTURAL FLOOR LEVEL
 3. (R) -- REVERSED DETAIL

NO.	DATE	REVISED	BY

JOB NO. : J-837
 PROJECT :
 URA KWUN TONG TOWN CENTRE
 REDEVELOPMENT (AREA 2 & 3) AT
 NKIL 6514, KWUN TONG, KOWLOON

TITLE :
 FULL PLAN LAYOUT
 (FOR T3 TYPICAL FLOOR PLAN)

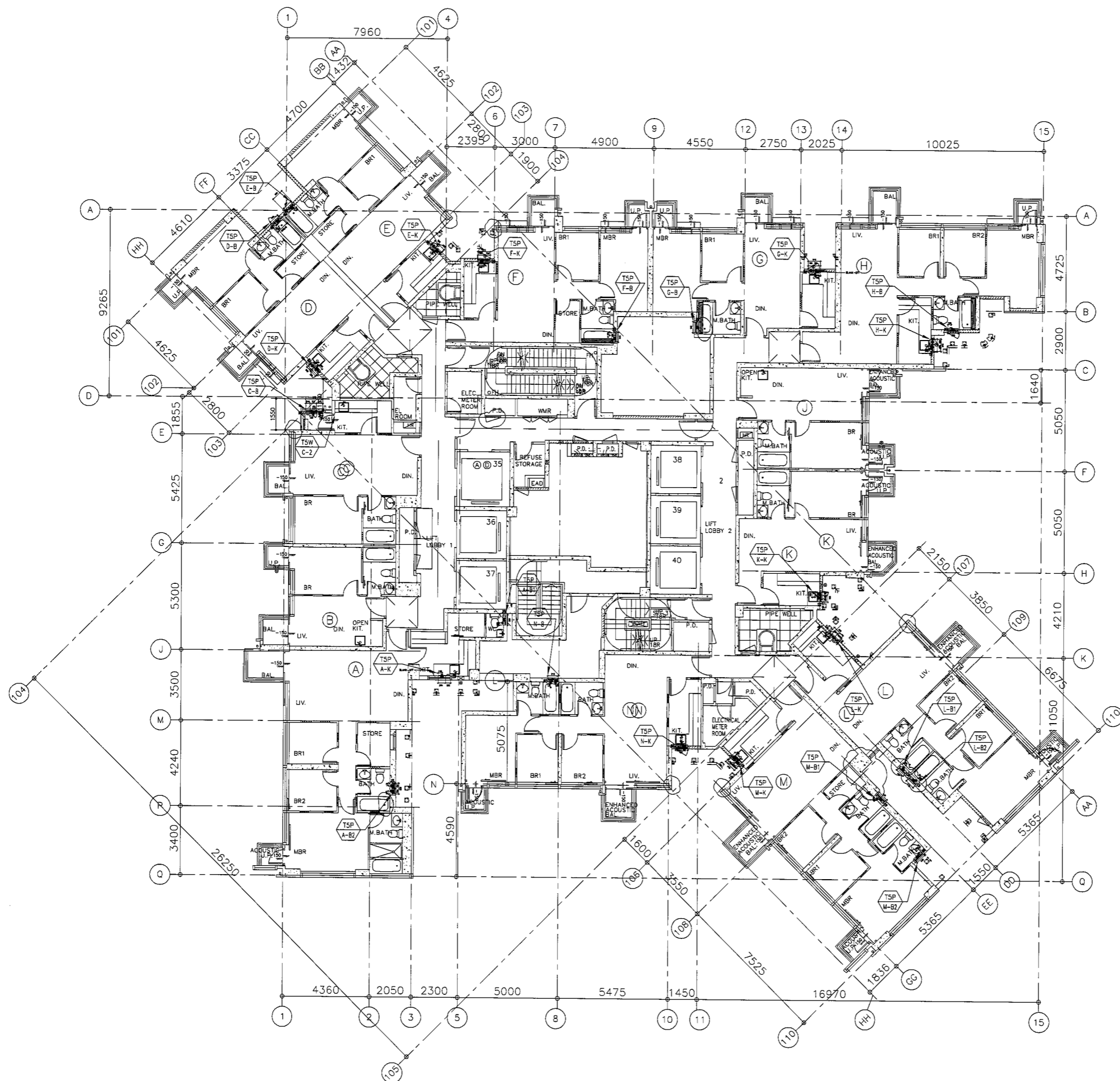
DATE : 04-JUL-18 SCALE : 1:200

DRAWN BY : Zeng CHECKED BY : DW

 美特鋁質有限公司
 MIDI ALUMINIUM FABRICATOR LTD.
 Units 6-8, Sunray Industrial Centre, 1/F
 610 Cha Kwo Ling Road, Kowloon
 Tel: 23489211-4 Fax: (852) 2727666

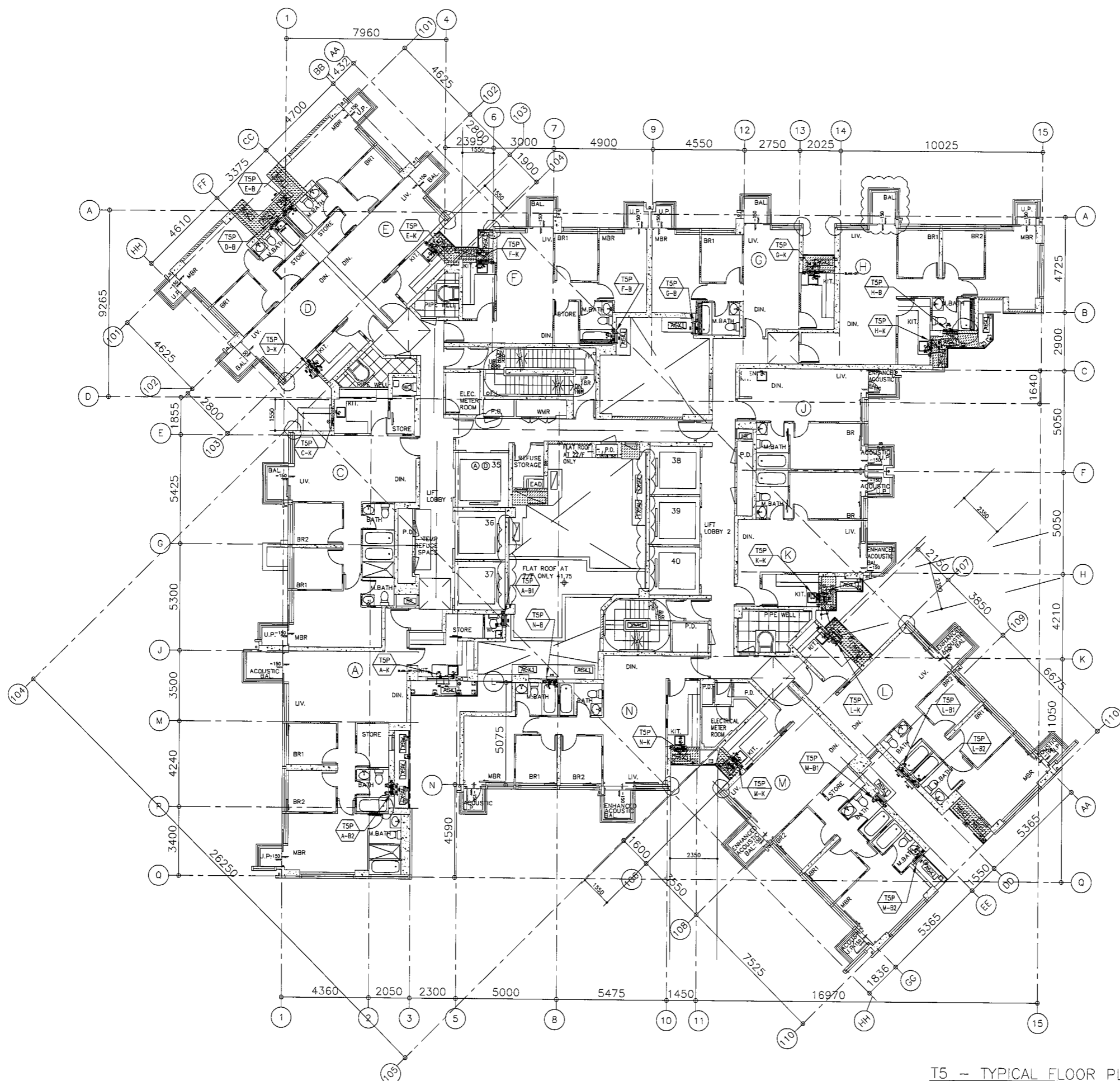
DWG NO. : J837-PB-3302 REV. : -

T3 - TYPICAL FLOOR PLAN
 7/F - 26/F 28/F - 51/F (39 STOREYS)
 (FLOOR NOS. 13, 14, 24, 34, 44 NOT USED.)



T5 - 6/F FLOOR PLAN

B.D. REF :			
CLIENT : 信和置業有限公司 Sino Land Company Limited			
ARCHITECT : WONG TUNG & PARTNERS LIMITED ARCHITECTS & PLANNERS WT			
MAIN CONTRACTOR : CR Construction Company Limited			
STRUCTURAL ENGINEER : AECOM			
FACADE CONSULTANT :			
NOTE : 1. ALL DIMENSIONS ARE IN mm. 2. ALL ELEVATIONS ARE VIEWED FROM OUTSIDE. 3. ALL DIMENSIONS TO BE VERIFIED ON SITE BEFORE FABRICATION.			
LEGEND : X1 --- DETAIL MARK NO. X001 --- REFER SHEET NO.			
1. F.F.L --- FINISHED FLOOR LEVEL 2. S.F.L --- STRUCTURAL FLOOR LEVEL 3. (R) --- REVERSED DETAIL			
NO.	DATE	REVISED	BY
JOB NO. :	J-837		
PROJECT :	URA KWUN TONG TOWN CENTRE REDEVELOPMENT (AREA 2 & 3) AT NKIL 6514, KWUN TONG, KOWLOON		
TITLE :	FULL PLAN LAYOUT (FOR T5 6/F FLOOR PLAN)		
DATE : 04-JUL-18	SCALE : 1:200		
DRAWN BY : Zeng	CHECKED BY : DW		
美特鋁質有限公司 MIDI ALUMINIUM FABRICATOR LTD. Units 6-8, Sunray Industrial Centre, 1/F 610 Cha Kwo Ling Road, Kowloon Tel: 23489211-4 Fax: (852) 2727666			
DWG NO. : J837-PB-3501	REV. : -		



T5 - TYPICAL FLOOR PLAN (HIGH ZONE)
 22/F - 26/F 28/F - 50/F (25 STOREYS)
 (FLOOR NOS. 24, 34, 44 NOT USED.)

B.D. REF :

CLIENT :
 信和置業有限公司
 Sino Land Company Limited

ARCHITECT :
 WONG TUNG & PARTNERS LIMITED
 ARCHITECTS & PLANNERS

MAIN CONTRACTOR :
 CR Construction Company Limited

STRUCTURAL ENGINEER :
 A E K O M

FACADE CONSULTANT :

NOTE :
 1. ALL DIMENSIONS ARE IN mm.
 2. ALL ELEVATIONS ARE VIEWED FROM OUTSIDE.
 3. ALL DIMENSIONS TO BE VERIFIED ON SITE BEFORE FABRICATION.

LEGEND :
 X1 --- DETAIL MARK NO.
 X001 --- REFER SHEET NO.
 1. F.F.L. --- FINISHED FLOOR LEVEL
 2. S.F.L. --- STRUCTURAL FLOOR LEVEL
 3. (R) --- REVERSED DETAIL

NO.	DATE	REVISED	BY

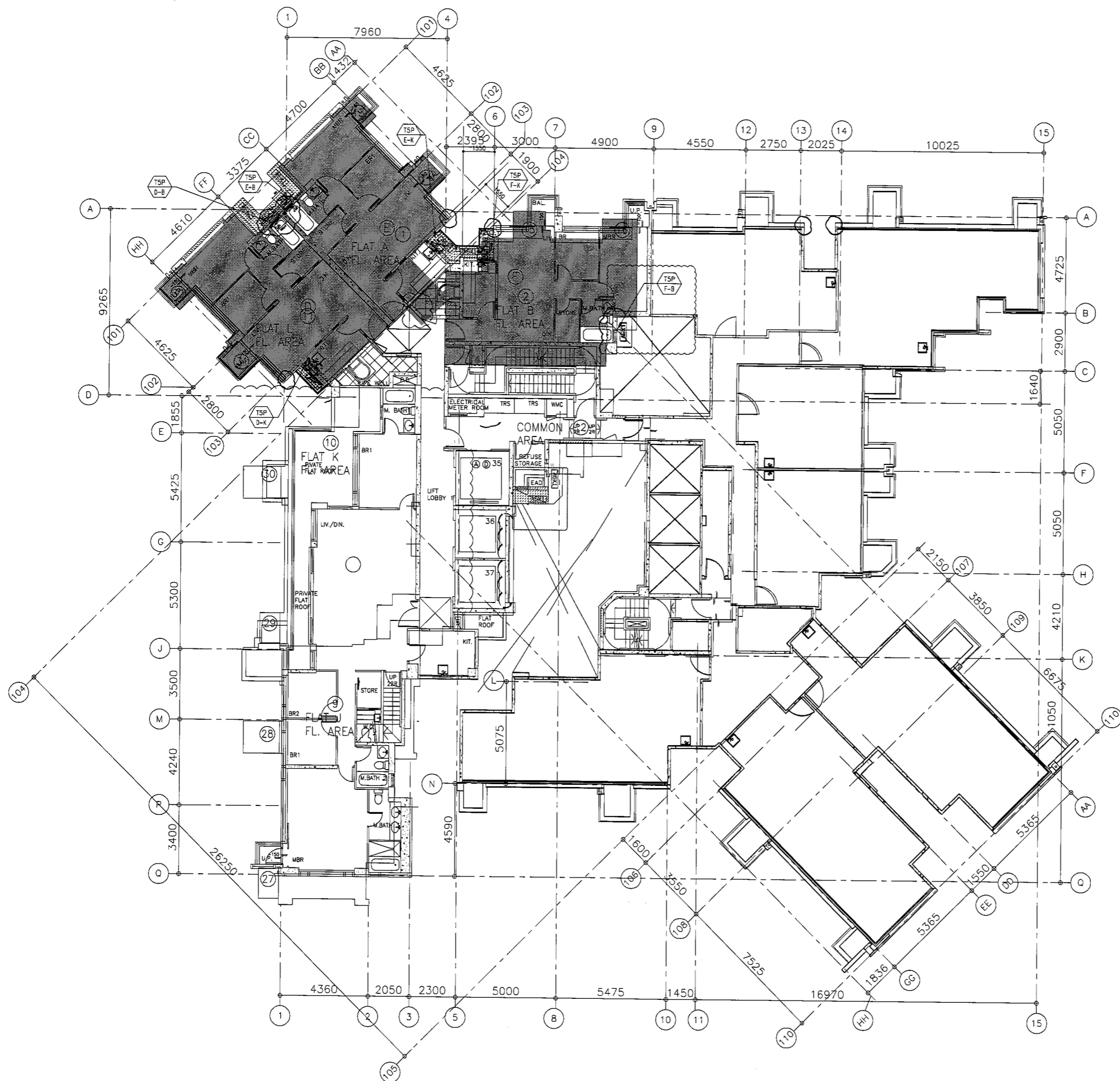
JOB NO. : J-837
 PROJECT :
 URA KWUN TONG TOWN CENTRE
 REDEVELOPMENT (AREA 2 & 3) AT
 NKIL 6514, KWUN TONG, KOWLOON

TITLE :
 HIGH ZONE LAYOUT
 (FOR T5 22/F-26/F&28/F-50/F
 FLOOR PLAN)

DATE : 04-JUL-18 SCALE : 1:200
 DRAWN BY : Zeng CHECKED BY : DW

美特鋁質有限公司
 MIDI ALUMINIUM FABRICATOR LTD.
 Units 6-8, Sunray Industrial Centre, 1/F
 610 Cha Kwo Ling Road, Kowloon
 Tel: 23489211-4 Fax: (852) 27727666

DWG NO. : JB37-PB-3503 REV. : -



T5 - 51/F PLAN

B.D. REF :

CLIENT :
 信和置業有限公司
 Sino Land Company Limited

ARCHITECT :
 WONG TUNG & PARTNERS LIMITED
 ARCHITECTS & PLANNERS

MAIN CONTRACTOR :
 CR Construction Company Limited

STRUCTURAL ENGINEER :
 AECOM

FACADE CONSULTANT:

NOTE :
 1. ALL DIMENSIONS ARE IN mm.
 2. ALL ELEVATIONS ARE VIEWED FROM OUTSIDE.
 3. ALL DIMENSIONS TO BE VERIFIED ON SITE BEFORE FABRICATION.

LEGEND :
 X1 --- DETAIL MARK NO.
 X001 --- REFER SHEET NO.
 1. F.F.L. --- FINISHED FLOOR LEVEL
 2. S.F.L. --- STRUCTURAL FLOOR LEVEL
 3. (R) --- REVERSED DETAIL

NO.	DATE	GENERAL REVISION	BY
A	2019/2/13	REVISION	Zeng

JOB NO. : J-837
 PROJECT :
 URA KWUN TONG TOWN CENTRE
 REDEVELOPMENT (AREA 2 & 3) AT
 NKIL 6514, KWUN TONG, KOWLOON

TITLE :
 FULL PLAN LAYOUT
 (FOR T5 51/F FLOOR PLAN)

DATE : 04-JUL-18 SCALE : 1:200
 DRAWN BY : Zeng CHECKED BY : DW

美特鋁質有限公司
 MIDI ALUMINIUM FABRICATOR LTD.
 Units 6-8, Sunray Industrial Centre, 1/F
 610 Cho Kwo Ling Road, Kowloon
 Tel: 23489211-4 Fax: (852) 27727666

DWG NO. : J837-PB-3504 REV. : A