



## 工程指示 / 要求簡箋(E.I.)

工程指示編號：EI / 0007 / 19

修改版次：-

工程編號：J - 837

工程名稱：觀塘裕民坊

工程項目：幕牆 防水片、批盪角、室內瓦 拆圖注意事項

收件人：生統 / 永林

發件人：Ant Yeung

日期：03/01/2019

□要求提供 / □確認 事項：

- ( ) 初步鋁料 B.M. ( ) 加工拆圖，然後生產 ( ) 尺寸表  
 ( ) 正式鋁料 B.M. ( ) 技術上資料 / 指示 ( ) 報價  
 ( ) 配件 B.M. ( ) 樣辦或貨品說明書 ( ) 分判合約  
 ( ) 其他：\_\_\_\_\_

內容：

因應地盆現場石矢公差，防水片在圖紙的理論數上作出相應修改。

請拆圖留意。

謝謝！

請在 2019 / 01 / 09 前完成上列要求。

附：20 pages

以上項目為：

- 原合約工程包 □ 原合約工程加 / 減賬 □ 新工程報價

原因：-

分發東莞各部門：

- ( ) 生產技術總監 □ 連附件 ( ) 技術部 □ 連附件 ( ) 生產部 □ 連附件 ( ) 機械設計部 □ 連附件  
 ( ) 採購部 □ 連附件 ( ) 生產統籌部 □ 連附件  
 ( ) 質檢部 □ 連附件 ( ) 會計部 □ 連附件 ( ) 報關組 □ 連附件 ( ) 其他 楊榮輝 □ 連附件

分發其他分判：

- ( ) 王禮秋 □ 連附件

分發香港各部門：

- ( ) 行政部 □ 連附件 ( ) 會計部 □ 連附件 ( ) 統籌部 □ 連附件 ( ) 工程部地盤科文 □ 連附件  
 ( ) 採購部 □ 連附件 ( ) QS 部 □ 連附件 ( ) 維修部 □ 連附件 ( ) 其他 \_\_\_\_\_ □ 連附件

傳遞編號：

HK 0009 / 19

發件人簽署：

項目經理簽署：

T.2007  
MKW9

2-19.1.3

目前現場研究公差

防中片在圖紙上的理論型號作出  
相應修改

B.D. REF :

CLIENT :  
信和置業有限公司  
Sino Land Company Limited

ARCHITECT :  
WONG TUNG & PARTNERS LIMITED  
ARCHITECTS & PLANNERS

MAIN CONTRACTOR :  
CR Construction Company Limited

STRUCTURAL ENGINEER :  
AECOM

FACADE CONSULTANT:  
AECOM

NOTE :  
1. ALL DIMENSIONS ARE IN mm.  
2. ALL ELEVATIONS ARE VIEWED FROM OUTSIDE.  
3. ALL DIMENSIONS TO BE VERIFIED ON SITE BEFORE FABRICATION.

LEGEND :  
X1 --- DETAIL MARK NO.  
X001 --- REFER SHEET NO.

1. F.F.L. --- FINISHED FLOOR LEVEL  
2. S.F.L. --- STRUCTURAL FLOOR LEVEL  
3. (R) --- REVERSED DETAIL

B	24/11/2018	GENERAL REVISED	
A	10/9/2018	GENERAL REVISED	
NO.	DATE	REVISED	BY

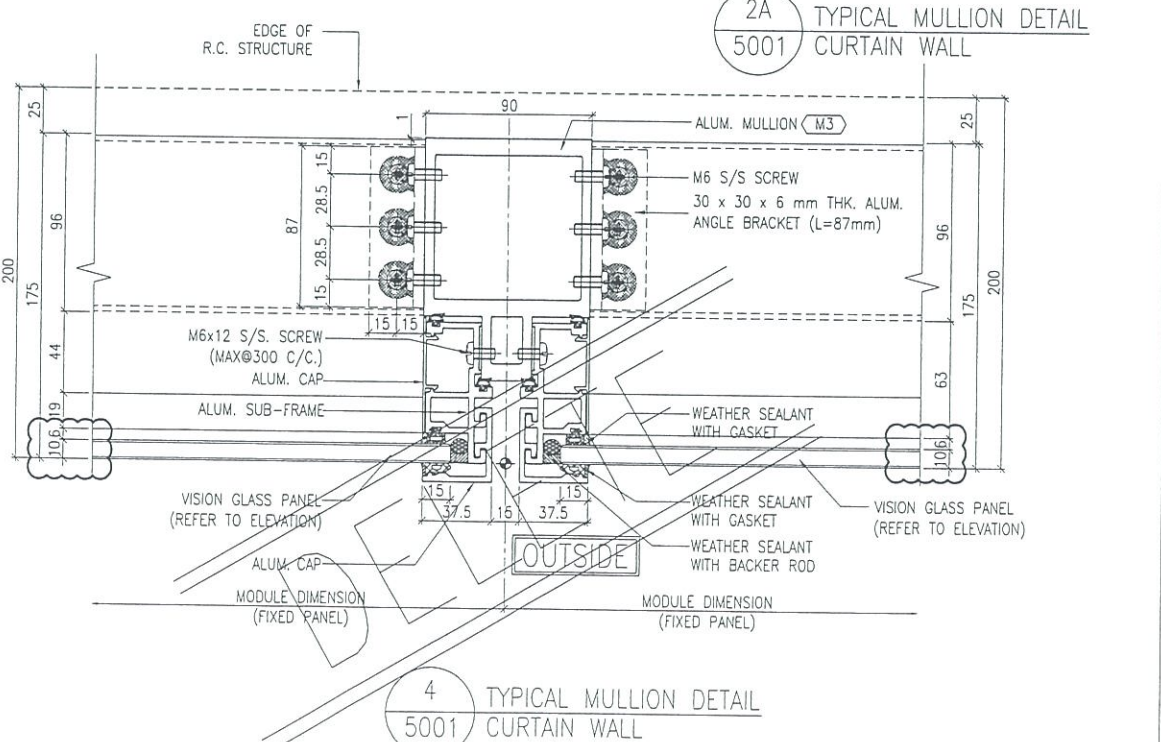
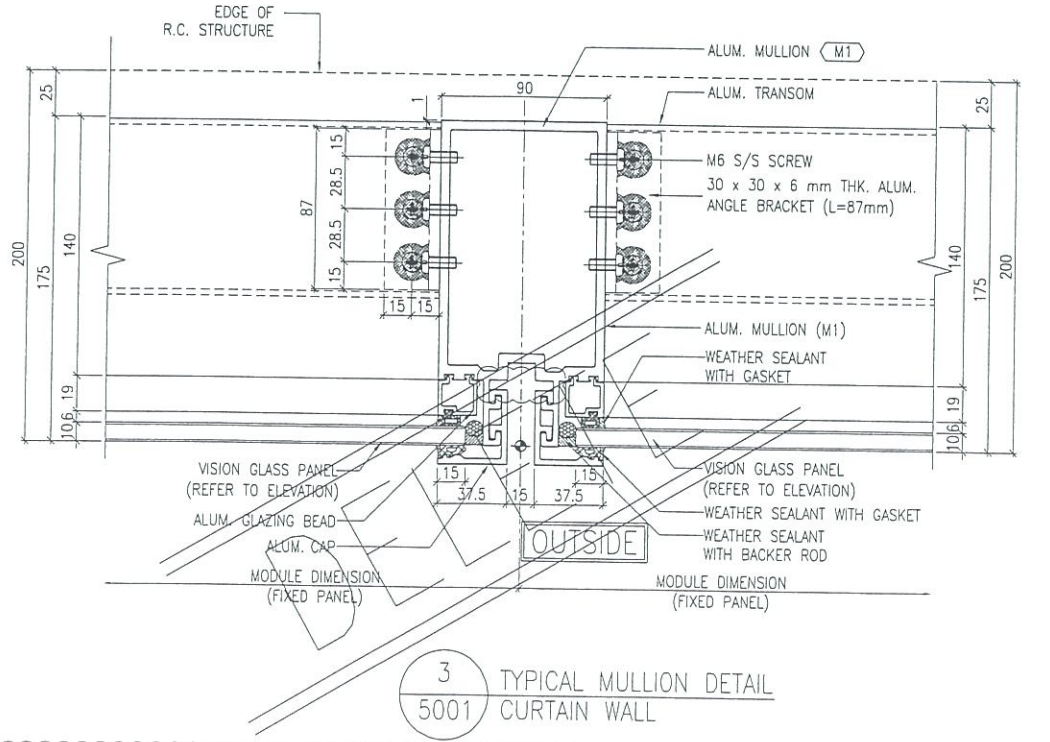
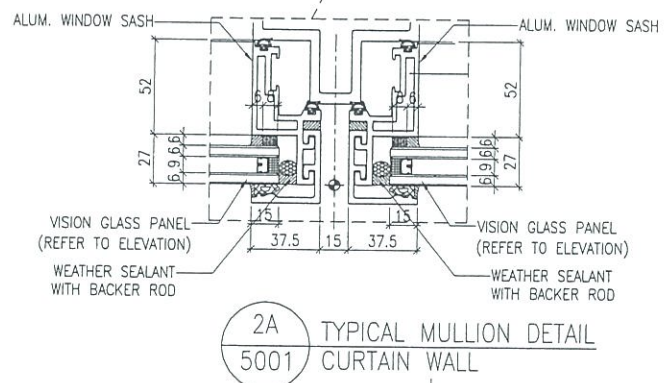
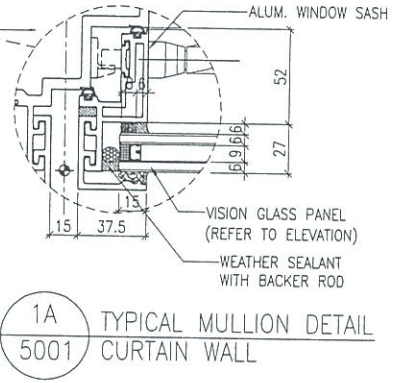
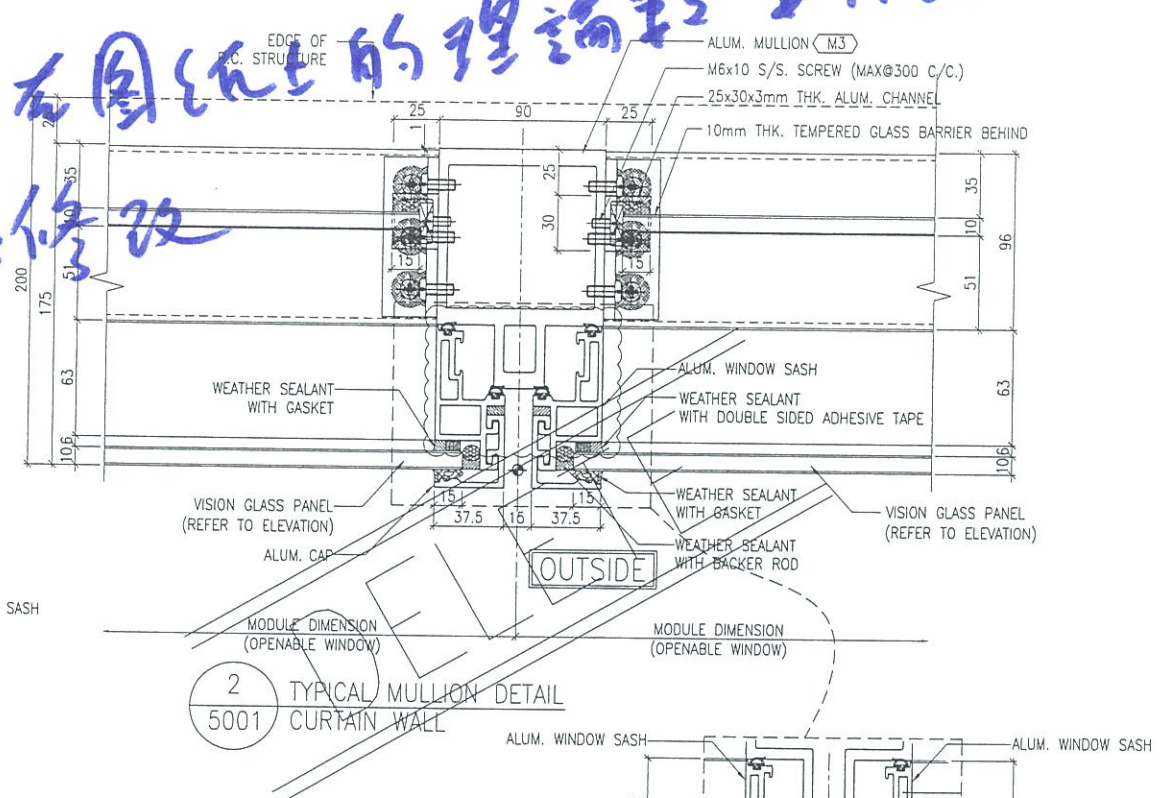
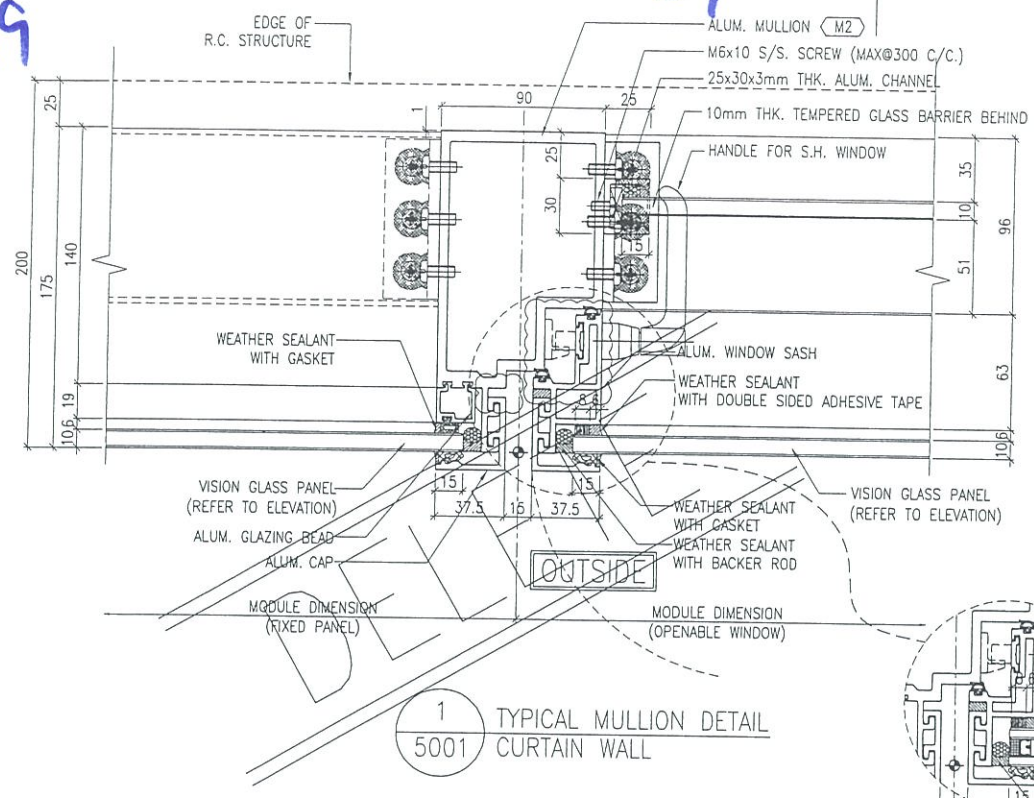
JOB NO. : J-837  
PROJECT :  
URA KWUN TONG TOWN CENTRE  
REDEVELOPMENT (AREA 2 & 3) AT  
NKIL 6514, KWUN TONG, KWLOON

TITLE :  
TYPICAL MULLION DETAIL  
FOR CURTAIN WALL

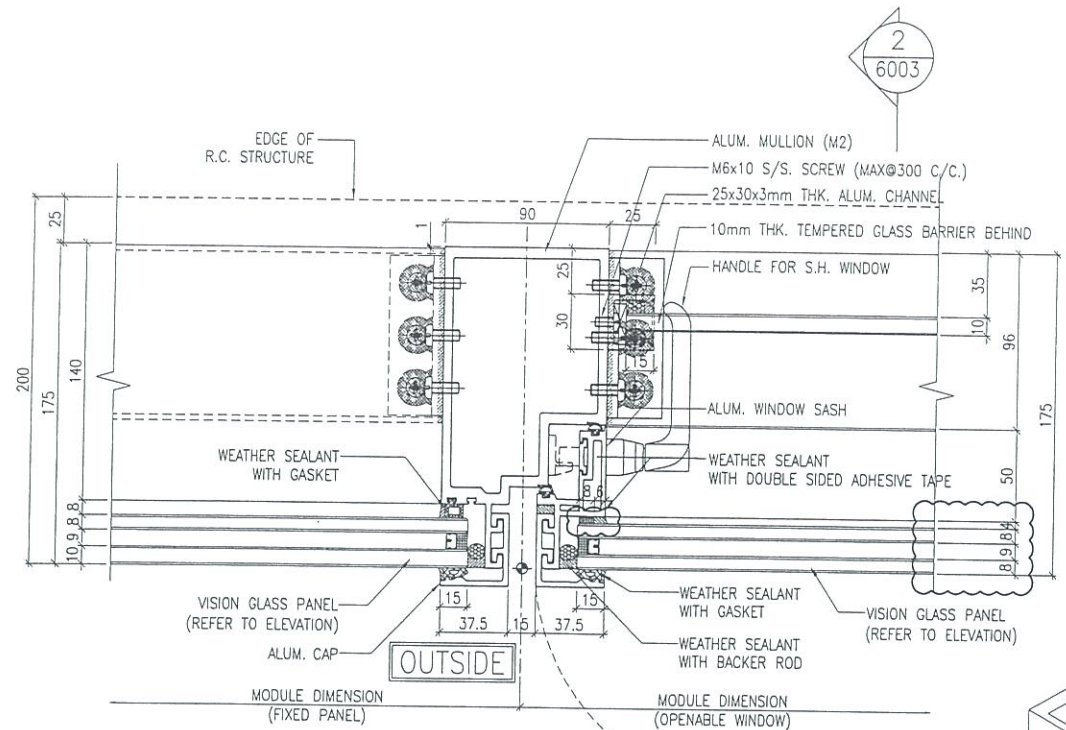
DATE : 13-JUL-18 SCALE : 1:2 (A1)  
DRAWN BY : ASING CHECKED BY : -

美特鋁質有限公司  
MIDI ALUMINIUM FABRICATOR LTD.  
Units 6-8, Sunray Industrial Centre, 1/F  
610 Cha Kwo Ling Road, Kowloon  
Tel:23489211-4 Fax:(852)2727666

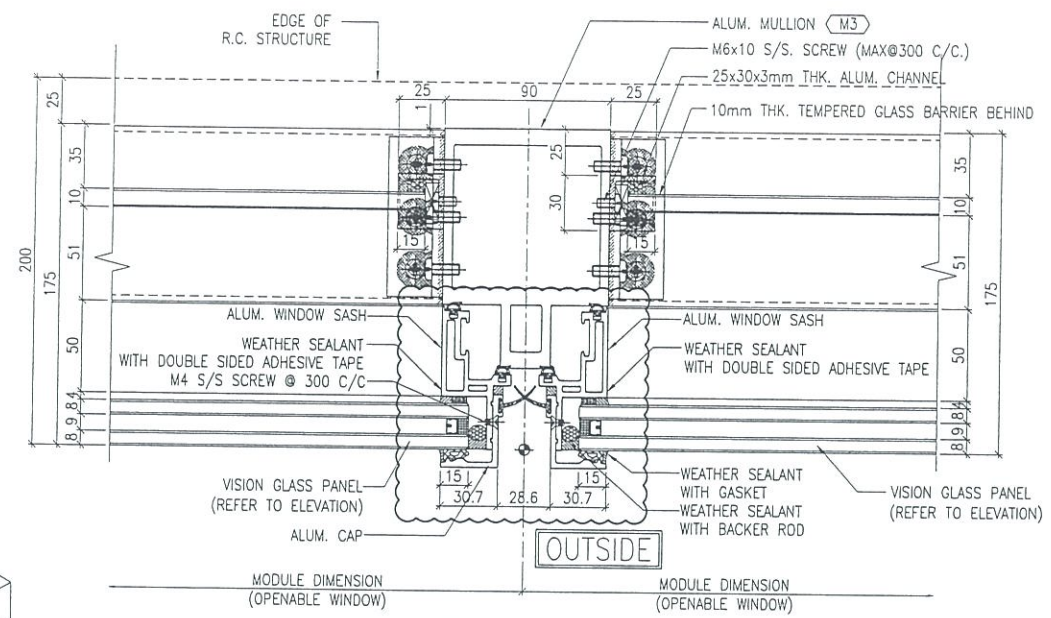
DWG NO. : J837-CW-5001 REV. : B



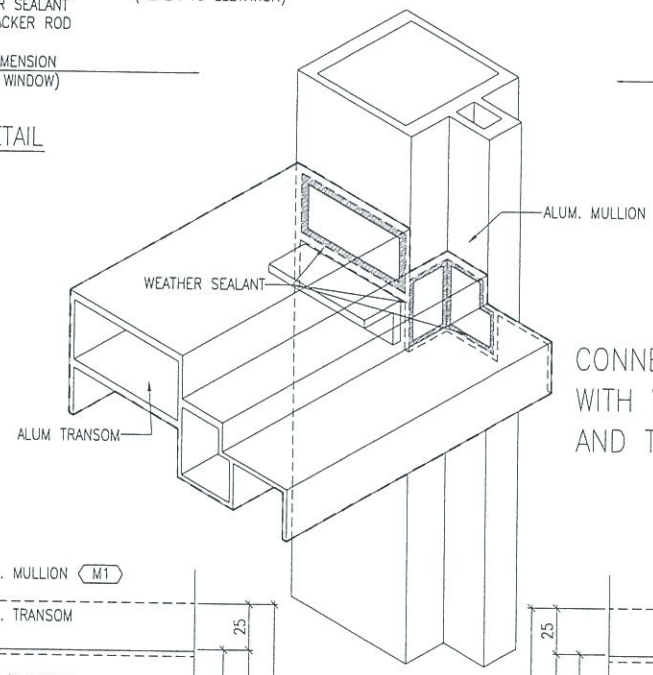
THOSE DETAILS WILL SAME AS 5002,  
BECAUSE GLASS WILL CHANGE TO IGU GLASS.



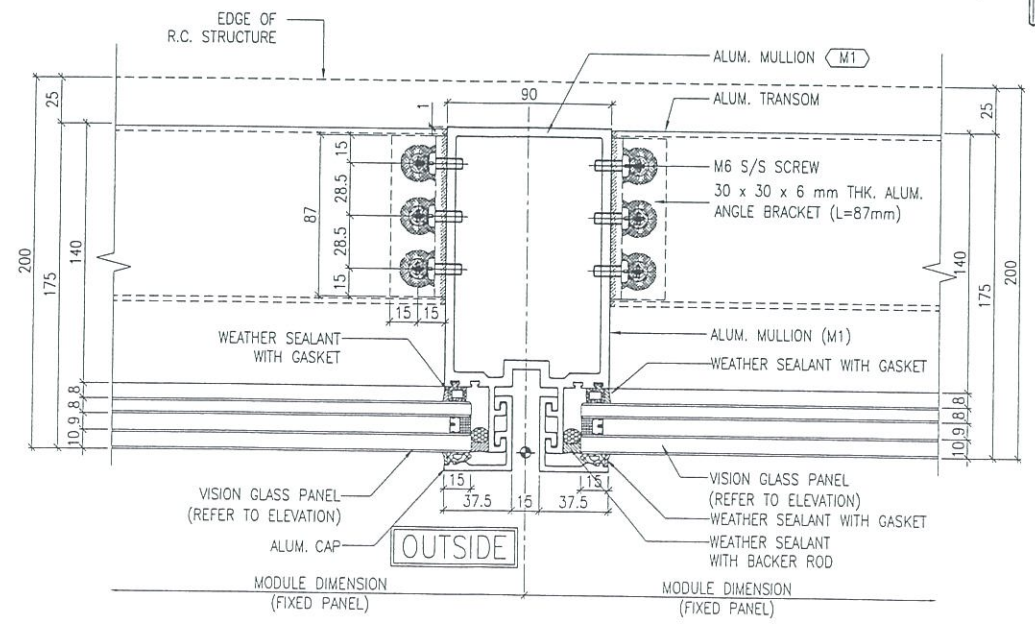
1 TYPICAL MULLION DETAIL  
5002 CURTAIN WALL



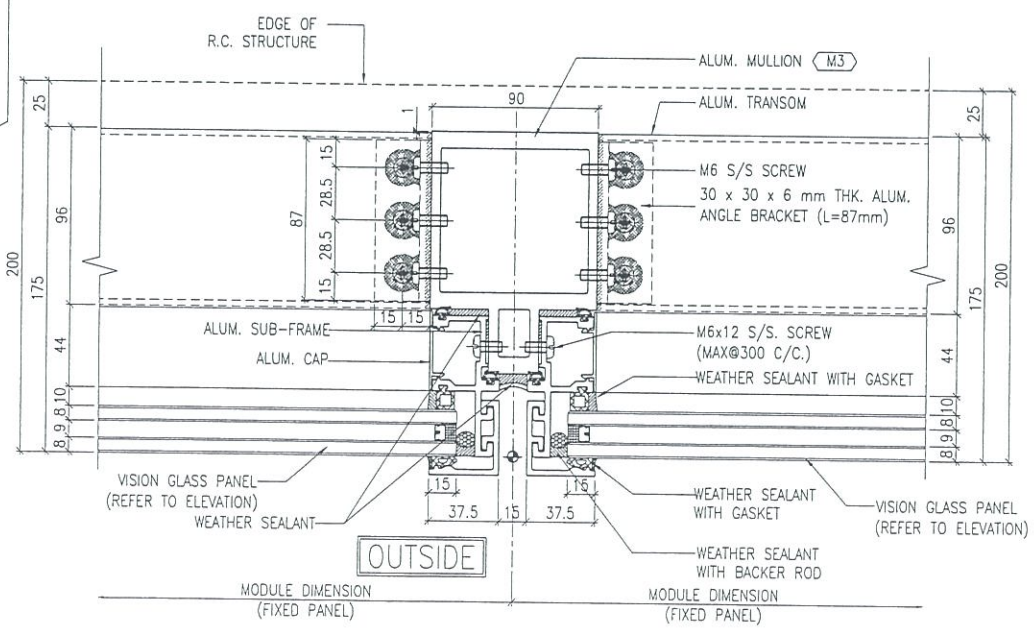
2 TYPICAL MULLION DETAIL  
5002 CURTAIN WALL



CONNECTION BETWEEN MULLION AND TRANSOM  
WITH WEATHER SEALANT.(APPLY ON ALL MULLION  
AND TRANSOM CONNECTION)



3 TYPICAL MULLION DETAIL  
5002 CURTAIN WALL



4 TYPICAL MULLION DETAIL  
5002 CURTAIN WALL

B.D. REF :

CLIENT :  
信和置業有限公司  
Sino Land Company Limited

ARCHITECT :  
WONG TUNG & PARTNERS LIMITED  
ARCHITECTS & PLANNERS

MAIN CONTRACTOR :  
CR Construction Company Limited

STRUCTURAL ENGINEER :  
AECOM

FACADE CONSULTANT:  
AECOM

NOTE :  
1. ALL DIMENSIONS ARE IN mm.  
2. ALL ELEVATIONS ARE VIEWED FROM OUTSIDE.  
3. ALL DIMENSIONS TO BE VERIFIED ON SITE BEFORE FABRICATION.

LEGEND :  
X1 --- DETAIL MARK NO.  
X001 --- REFER SHEET NO.

1. F.F.L. --- FINISHED FLOOR LEVEL  
2. S.F.L. --- STRUCTURAL FLOOR LEVEL  
3. (R) --- REVERSED DETAIL

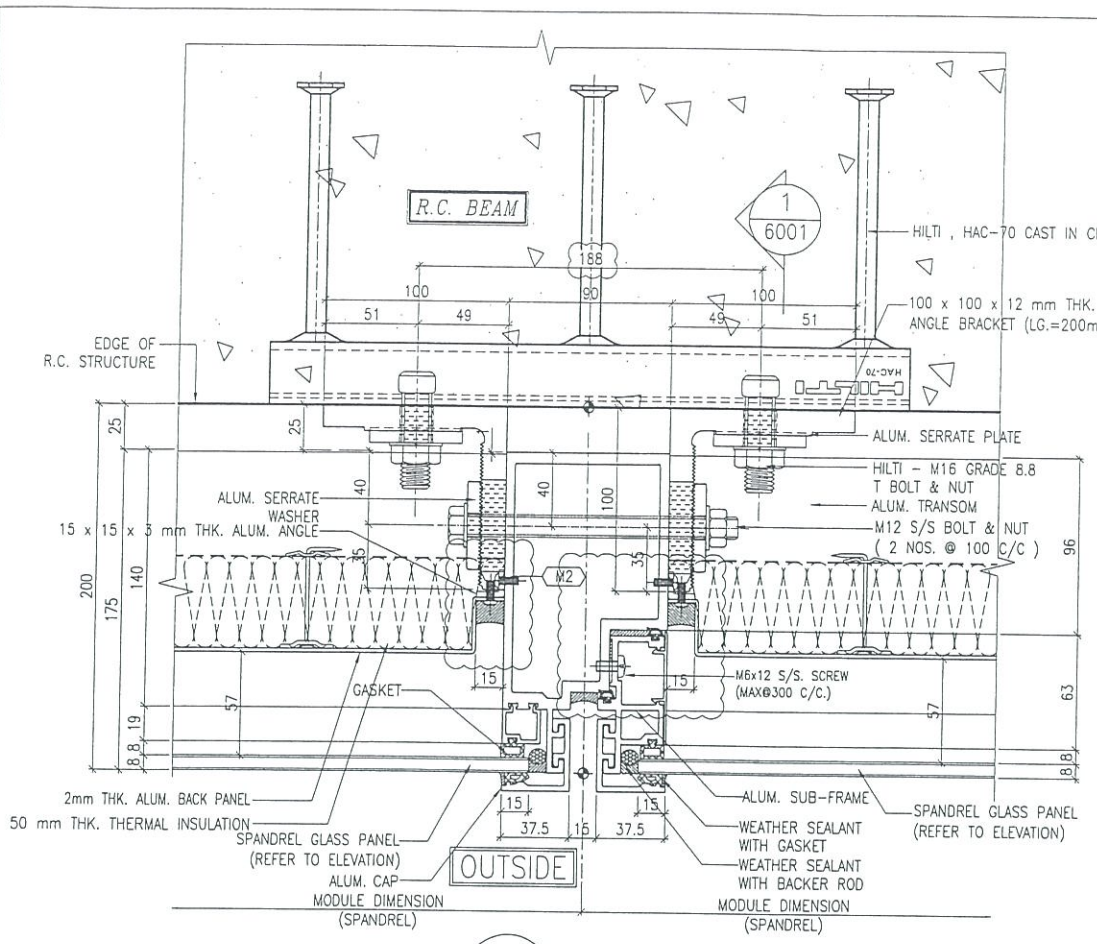
C	22/12/2018	GENERAL REVISED	
B	24/11/2018	GENERAL REVISED	
A	10/9/2018	GENERAL REVISED	
NO.	DATE	REVISED	BY

JOB NO. : J-837  
PROJECT :  
URA KWUN TONG TOWN CENTRE  
REDEVELOPMENT (AREA 2 & 3) AT  
NKIL 6514, KWUN TONG, KWLOON

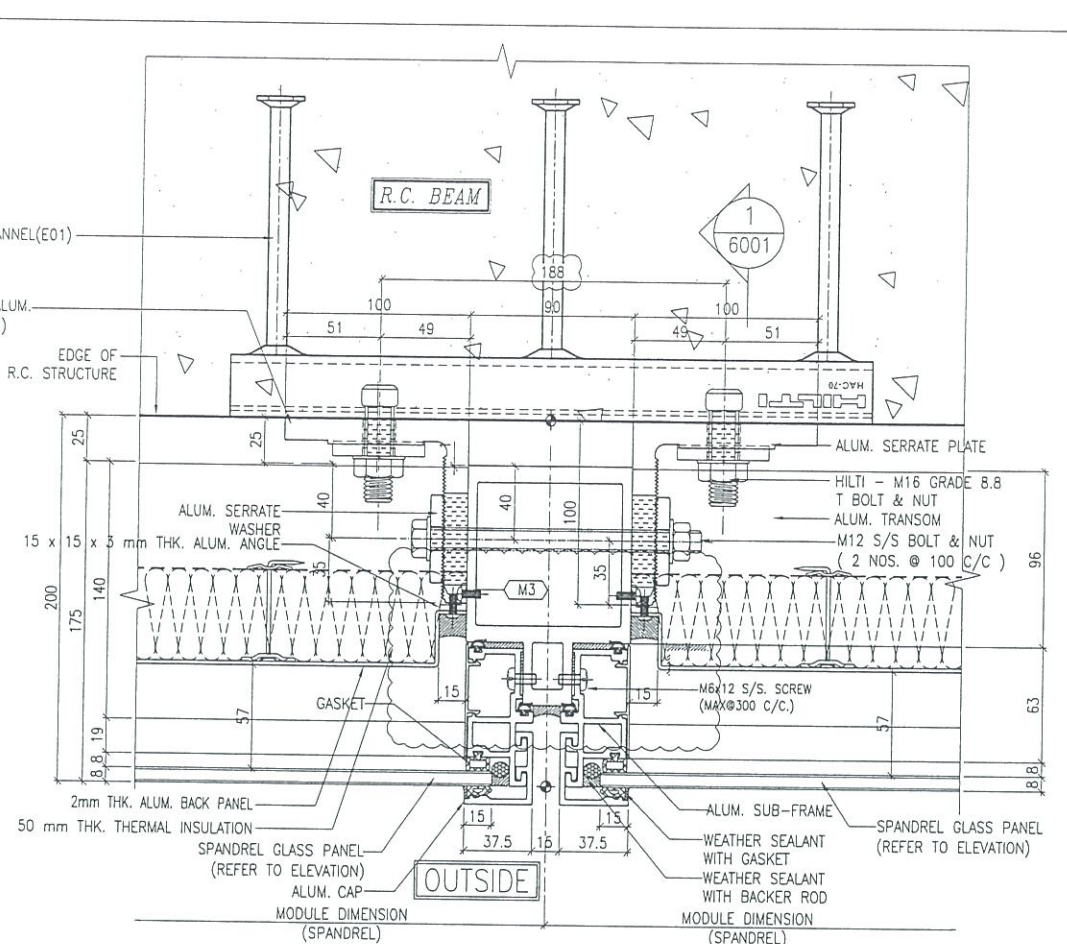
TITLE :  
TYPICAL MULLION DETAIL  
FOR CURTAIN WALL

DATE : 13-JUL-18 SCALE : 1:2 (A1)  
DRAWN BY : ASING CHECKED BY : -

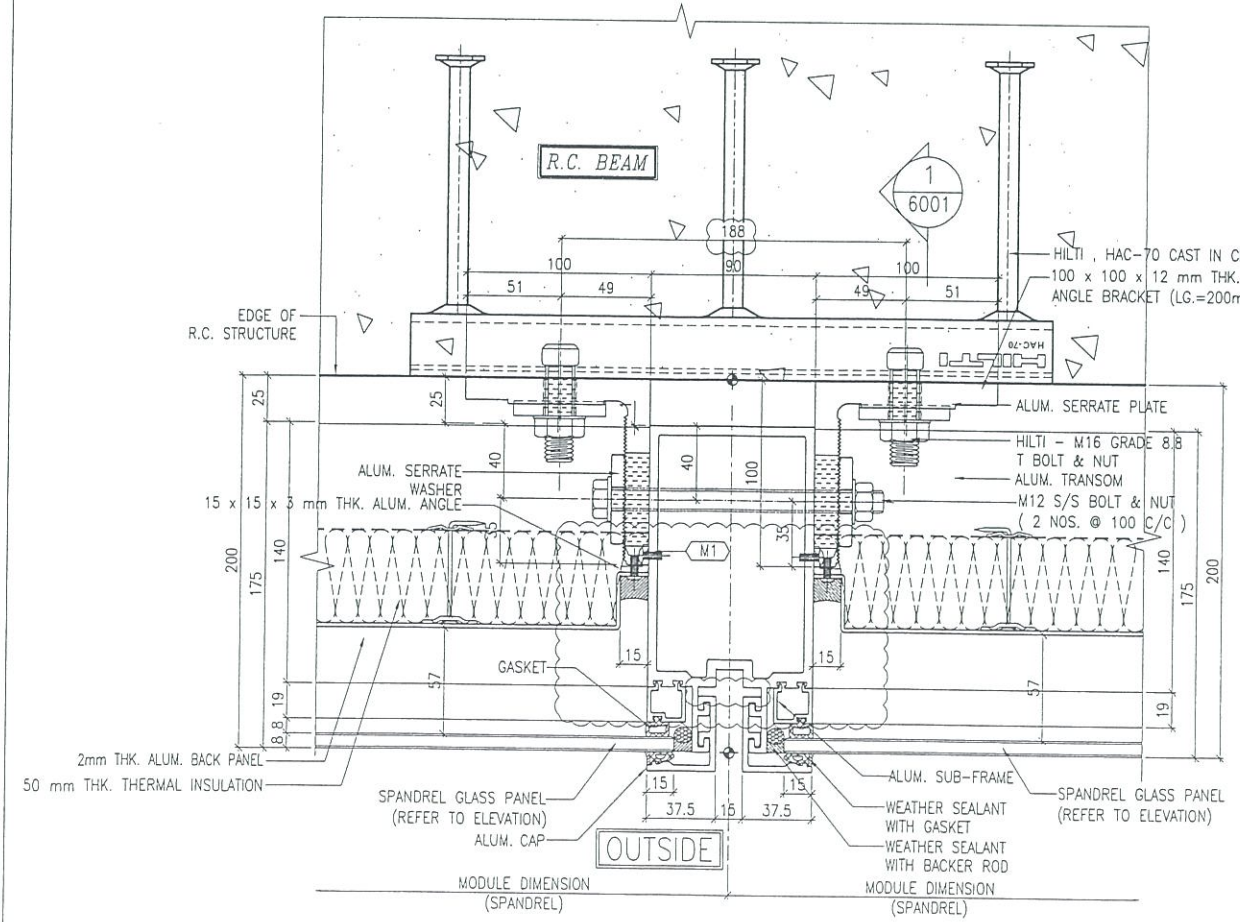
美特鋁質有限公司  
MIDI ALUMINIUM FABRICATOR LTD.  
Units 6-8, Sunray Industrial Centre, 1/F  
610 Cha Kwo Ling Road, Kowloon  
Tel:23489211-4 Fax:(852)2727666



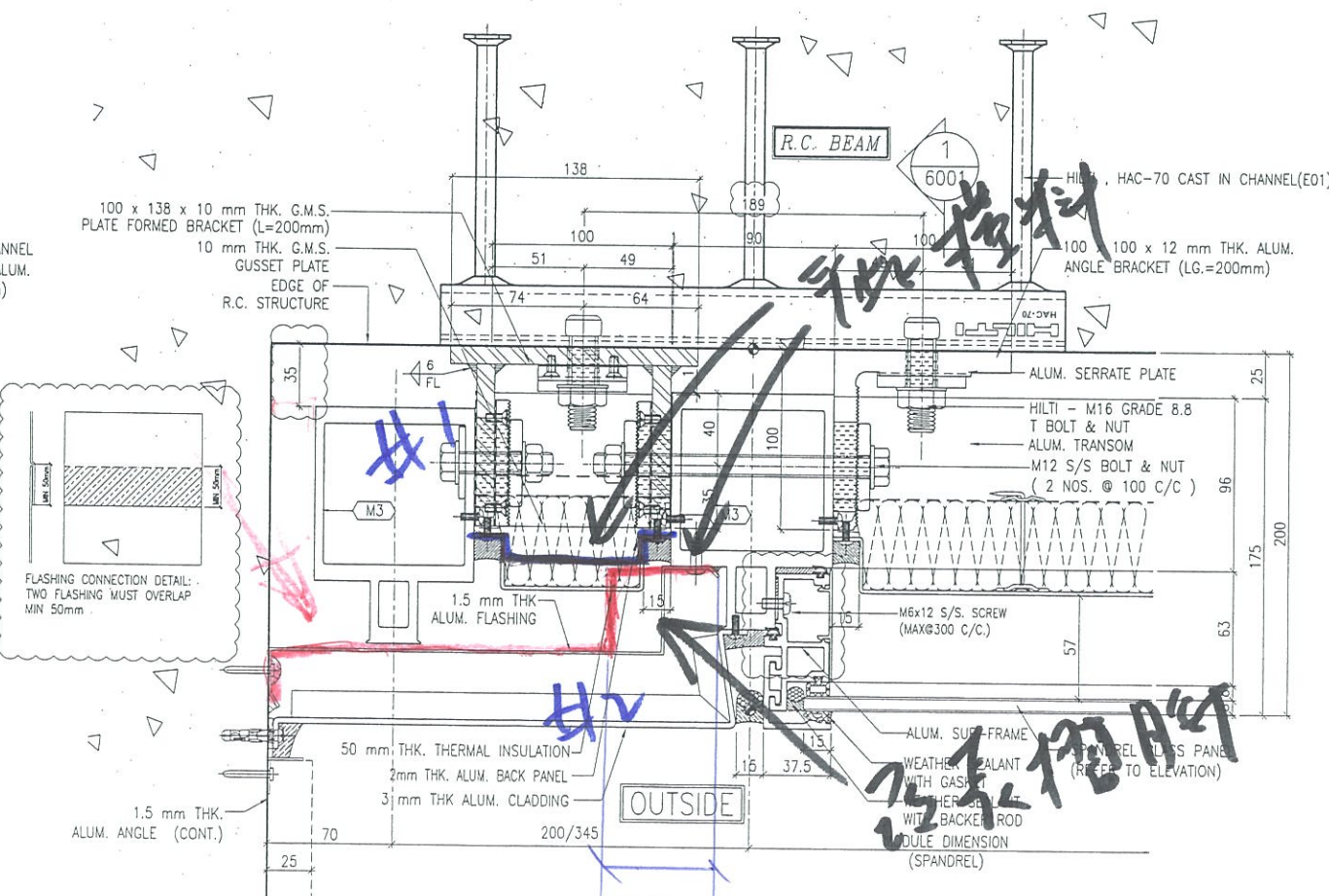
1 TYPICAL MULLION DETAIL  
5003 CURTAIN WALL



2 TYPICAL MULLION DETAIL  
5003 CURTAIN WALL



3 TYPICAL MULLION DETAIL  
5003 CURTAIN WALL



4 TYPICAL MULLION DETAIL  
5003 CURTAIN WALL

B.D. REF :

CLIENT :  
信和置業有限公司  
Sino Land Company Limited

ARCHITECT :  
WONG TUNG & PARTNERS LIMITED  
ARCHITECTS & PLANNERS

MAIN CONTRACTOR :  
CR Construction Company Limited

STRUCTURAL ENGINEER :  
ACOM

FAÇADE CONSULTANT:  
ACOM

NOTE :  
1. ALL DIMENSIONS ARE IN mm.  
2. ALL ELEVATIONS ARE VIEWED FROM OUTSIDE.  
3. ALL DIMENSIONS TO BE VERIFIED ON SITE BEFORE FABRICATION.

LEGEND :  
X1 -- DETAIL MARK NO.  
X001 -- REFER SHEET NO.  
1. F.F.L. -- FINISHED FLOOR LEVEL  
2. S.F.L. -- STRUCTURAL FLOOR LEVEL  
3. (R) -- REVERSED DETAIL

NO.	DATE	REVISED	BY
B	24/11/2018	GENERAL REVISED	
A	10/9/2018	GENERAL REVISED	

JOB NO. : J-837  
PROJECT :  
URA KWUN TONG TOWN CENTRE  
REDEVELOPMENT (AREA 2 & 3) AT  
NKIL 6514, KWUN TONG, KWLOON

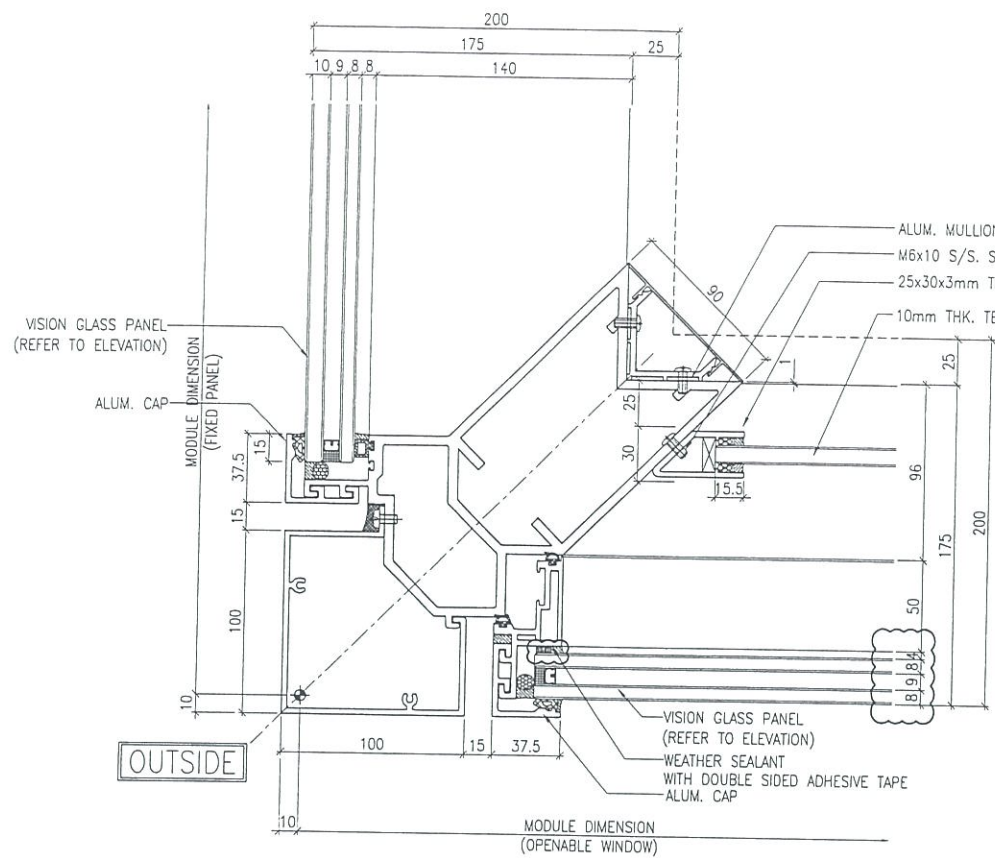
TITLE :  
TYPICAL MULLION DETAIL  
FOR CURTAIN WALL

DATE : 13-JUL-18 SCALE : 1:2 (A1)  
DRAWN BY : ASING CHECKED BY : -

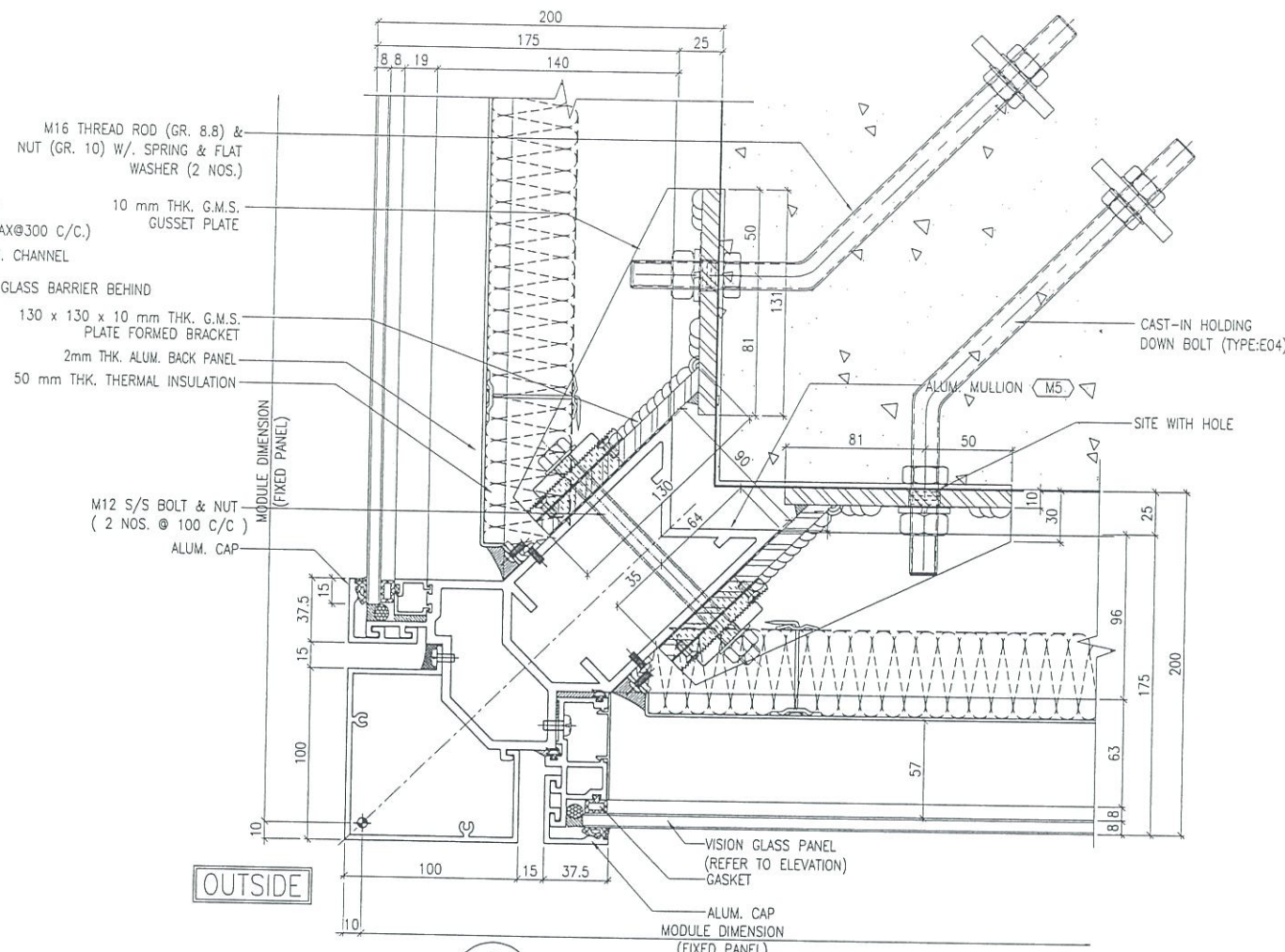
MIDI ALUMINIUM FABRICATOR LTD.  
Units 6-8, Sunray Industrial Centre, 1/F  
610 Cho Kwo Ling Road, Kowloon  
Tel: 23469211-4 Fax: (852) 2727666

DWG NO. : JB37-CW-5003

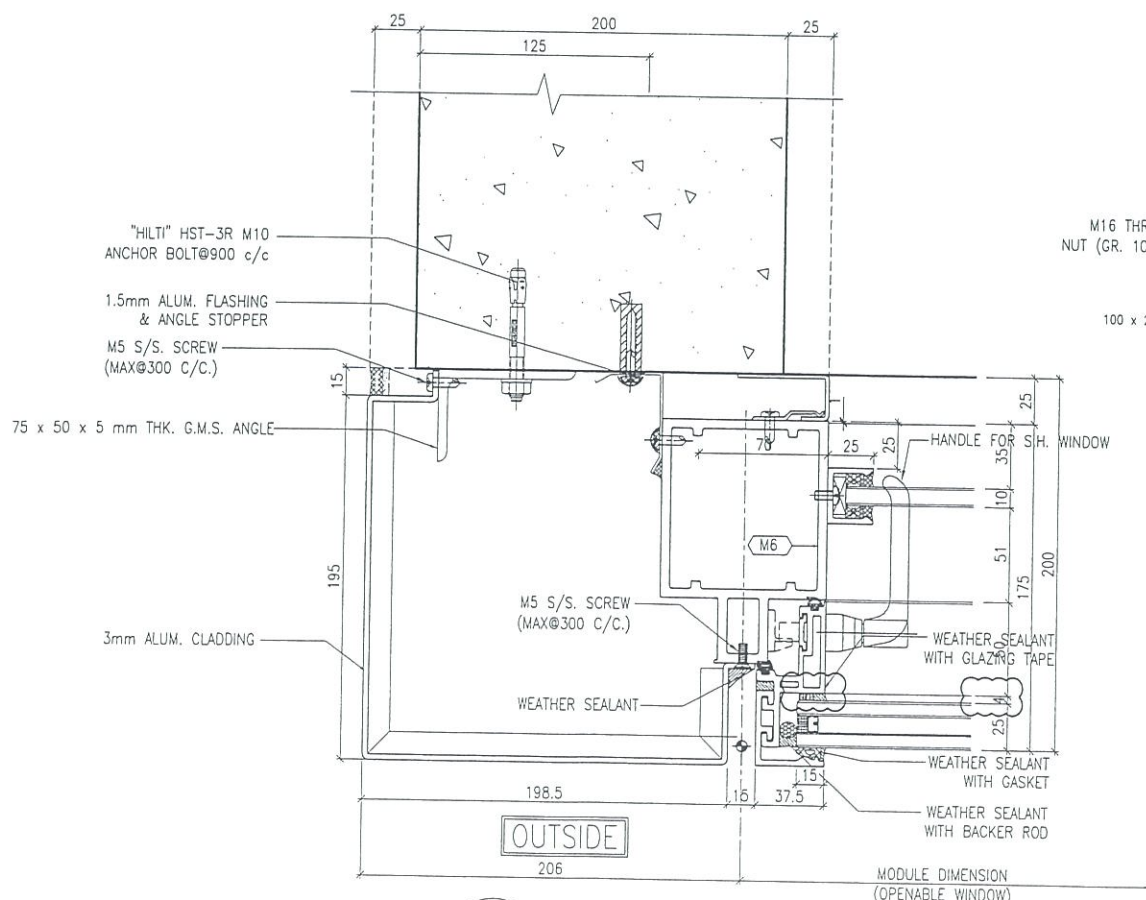




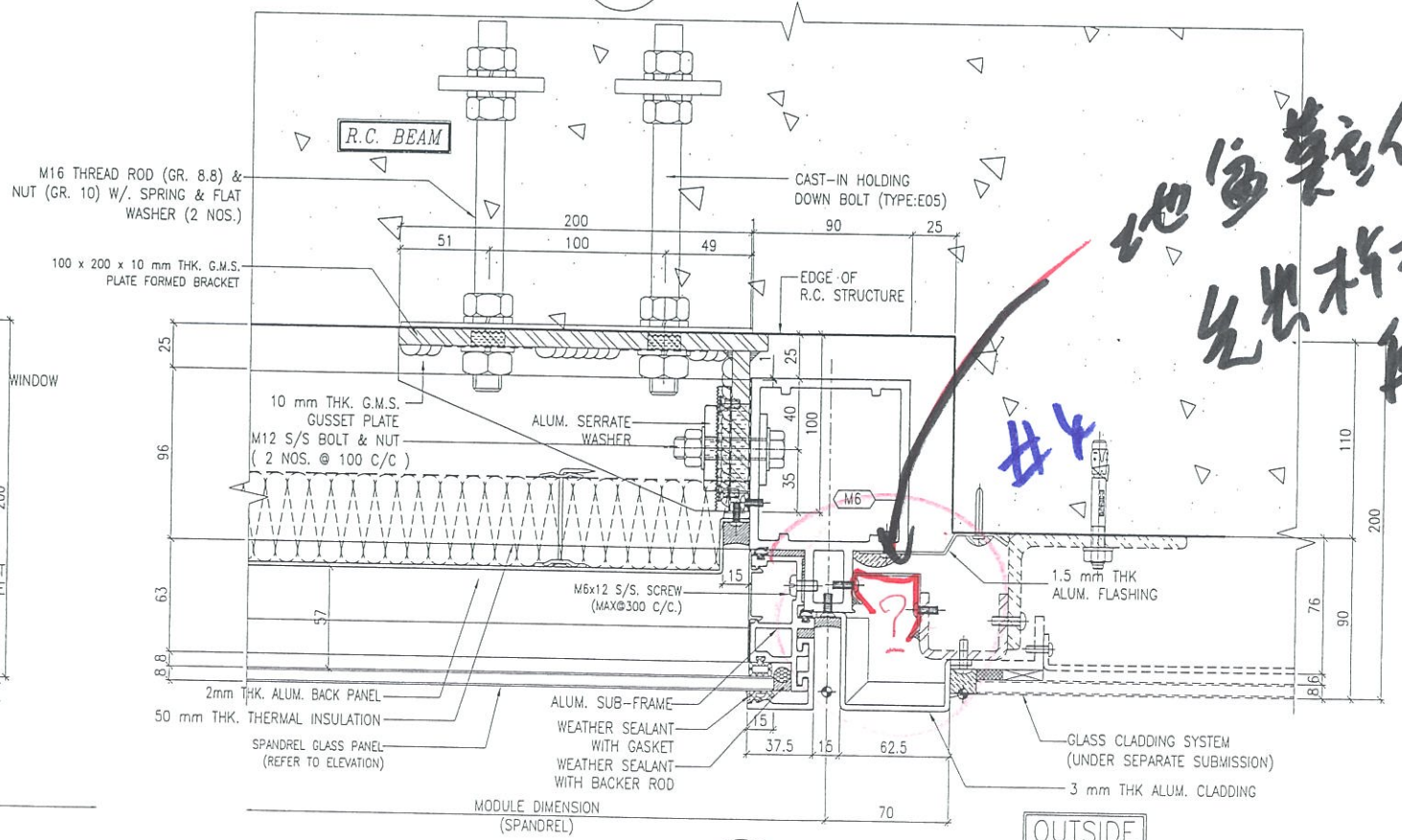
1 TYPICAL MULLION DETAIL  
5005 CURTAIN WALL



2 TYPICAL MULLION DETAIL  
5005 CURTAIN WALL



3 TYPICAL MULLION DETAIL  
5005 CURTAIN WALL



4 TYPICAL MULLION DETAIL  
5005 CURTAIN WALL

地庫裝修  
先出桁架  
再作修改

B.D. REF :  
CLIENT :  
信和置業有限公司  
Sino Land Company Limited

ARCHITECT :  
WONG TUNG & PARTNERS LIMITED  
ARCHITECTS & PLANNERS

MAIN CONTRACTOR :  
CR Construction Company Limited

STRUCTURAL ENGINEER :  
AECOM

FAÇADE CONSULTANT :  
AECOM

NOTE :  
1. ALL DIMENSIONS ARE IN mm.  
2. ALL ELEVATIONS ARE VIEWED FROM OUTSIDE.  
3. ALL DIMENSIONS TO BE VERIFIED ON SITE BEFORE FABRICATION.

LEGEND :  
X1 --- DETAIL MARK NO.  
X001 --- REFER SHEET NO.

1. F.F.L. --- FINISHED FLOOR LEVEL  
2. S.F.L. --- STRUCTURAL FLOOR LEVEL  
3. --- REVERSED DETAIL

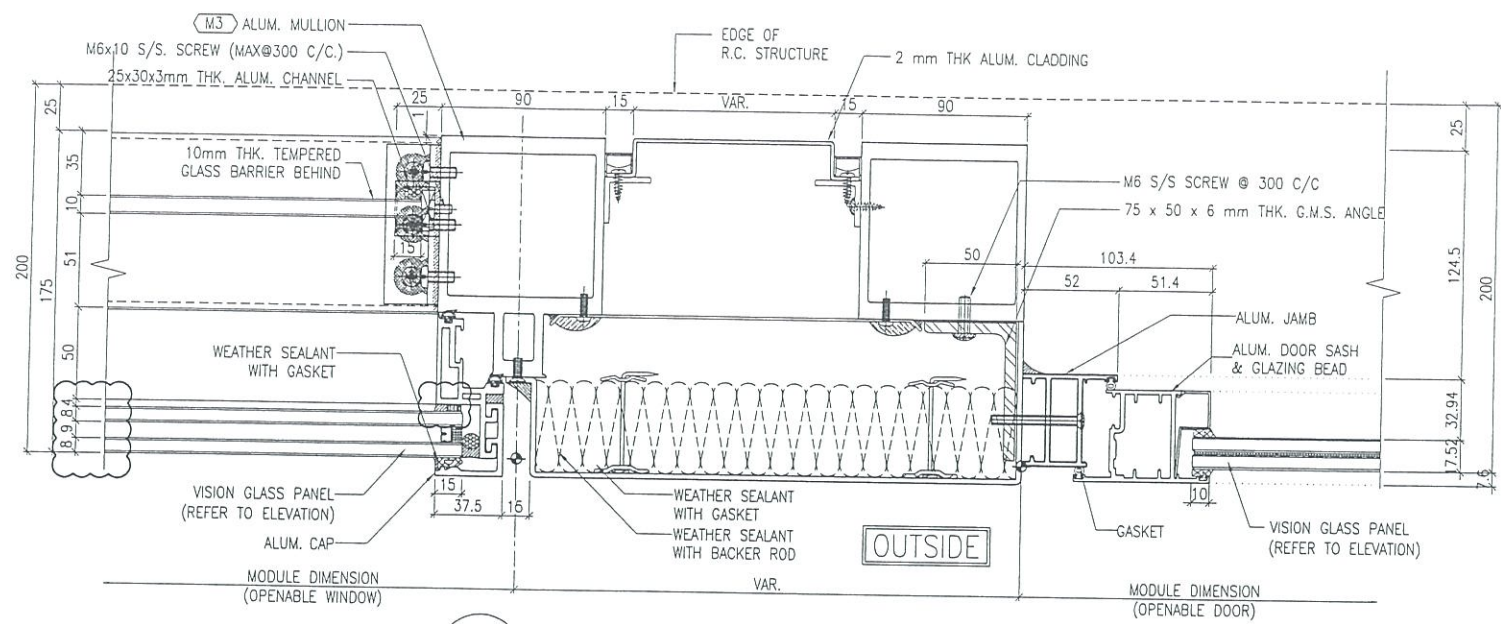
NO.	DATE	REVISED	BY
C	22/12/2018	GENERAL REVISED	
B	24/11/2018	GENERAL REVISED	
A	10/9/2018	GENERAL REVISED	

JOB NO. : J-837  
PROJECT :  
URA KWUN TONG TOWN CENTRE  
REDEVELOPMENT (AREA 2 & 3) AT  
NKIL 6514, KWUN TONG, KWLOON

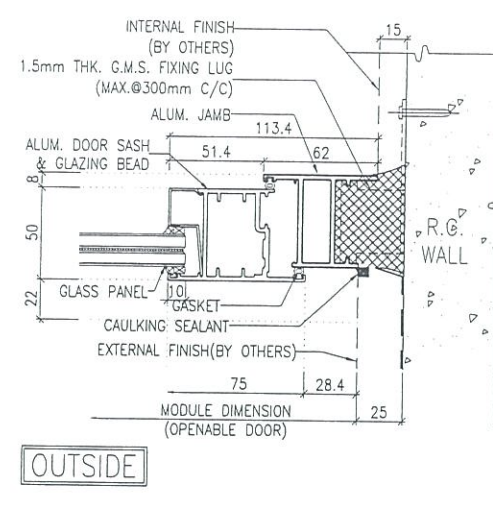
TITLE :  
TYPICAL MULLION DETAIL  
FOR CURTAIN WALL

DATE : 13-JUL-18 SCALE : 1:2 (A1)  
DRAWN BY : ASING CHECKED BY : -

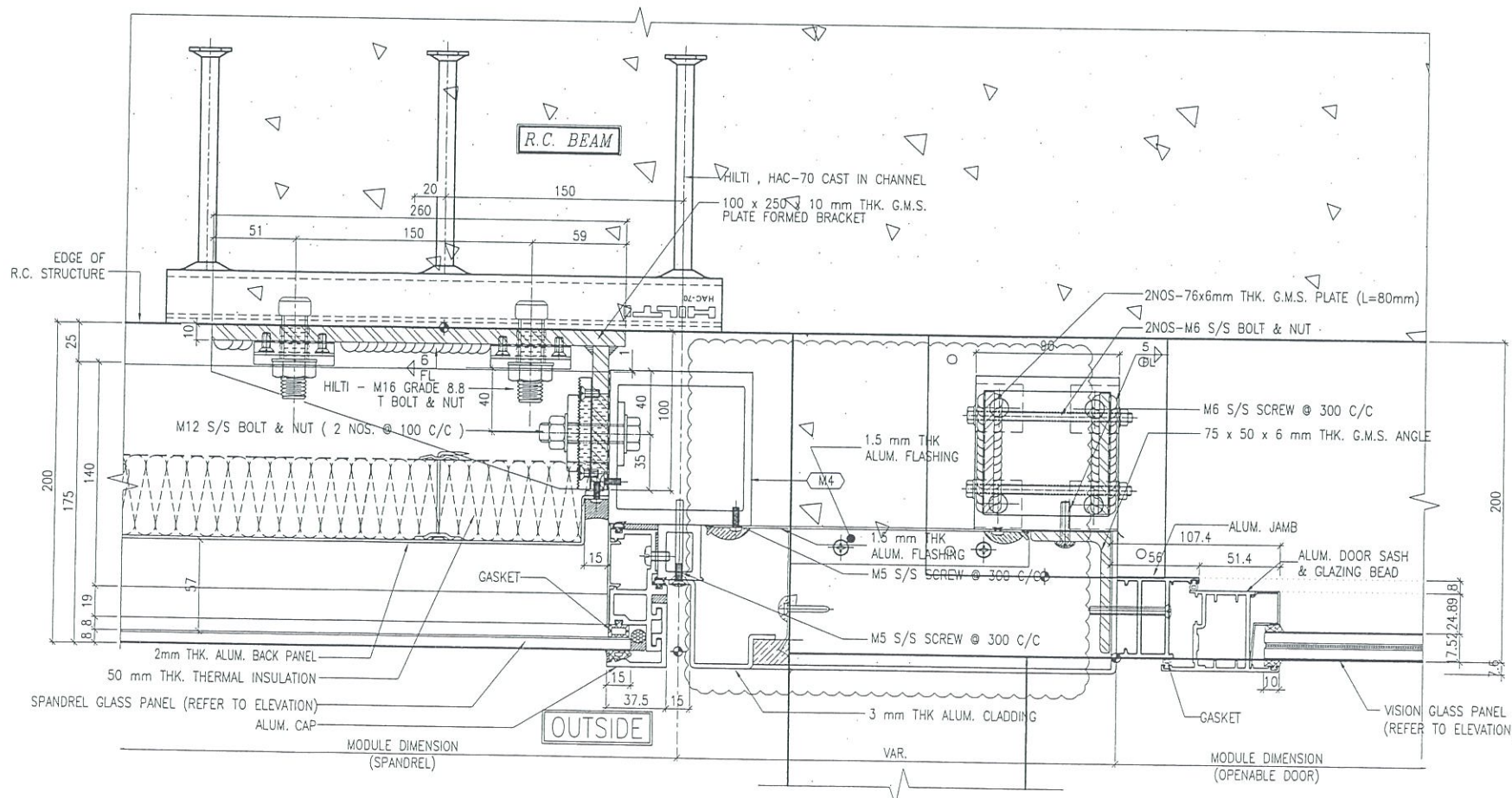
MIDI ALUMINIUM FABRICATOR LTD.  
Units 6-8, Sunray Industrial Centre, 1/F  
610 Cha Kwo Ling Road, Kowloon  
Tel: 23489211-4 Fax: (852) 27727666  
DWG NO. : 1837-CW-5005



1 TYPICAL MULLION DETAIL  
5006 CURTAIN WALL



2 TYPICAL MULLION DETAIL  
5006 CURTAIN WALL



3 TYPICAL MULLION DETAIL  
5006 CURTAIN WALL

B.D. REF :

CLIENT :  
信和置業有限公司  
Sino Land Company Limited

ARCHITECT :  
WONG TUNG & PARTNERS LIMITED  
ARCHITECTS & PLANNERS

MAIN CONTRACTOR :  
CR Construction Company Limited

STRUCTURAL ENGINEER :  
A2COM

FACADE CONSULTANT:  
A2COM

NOTE :  
1. ALL DIMENSIONS ARE IN mm.  
2. ALL ELEVATIONS ARE VIEWED FROM OUTSIDE.  
3. ALL DIMENSIONS TO BE VERIFIED ON SITE BEFORE FABRICATION.

LEGEND :  
X1 --- DETAIL MARK NO.  
X001 --- REFER SHEET NO.

1. F.F.L. --- FINISHED FLOOR LEVEL  
2. S.F.L. --- STRUCTURAL FLOOR LEVEL  
3. (R) --- REVERSED DETAIL

NO.	DATE	REVISED	BY
C	22/12/2018	GENERAL REVISED	
B	24/11/2018	GENERAL REVISED	
A	10/9/2018	GENERAL REVISED	

JOB NO. : J-837  
PROJECT :  
URA KWUN TONG TOWN CENTRE  
REDEVELOPMENT (AREA 2 & 3) AT  
NKIL 6514, KWUN TONG, KWLOON

TITLE :  
TYPICAL MULLION DETAIL  
FOR CURTAIN WALL


DATE : 13-JUL-18 SCALE : 1:2 (A1)  
DRAWN BY : ASING CHECKED BY : -

美特鋁質有限公司  
MIDI ALUMINIUM FABRICATOR LTD.  
Units 6-8, Sunray Industrial Centre, 1/F  
610 Cha Kwo Ling Road, Kowloon  
Tel: 23489211-4 Fax: (852) 2727666

B.D. REF :

CLIENT :  
 信和置業有限公司  
 Sino Land Company Limited

ARCHITECT :  
 WONG TUNG & PARTNERS LIMITED  
 ARCHITECTS & PLANNERS  


MAIN CONTRACTOR :  
 CR Construction Company Limited

STRUCTURAL ENGINEER :  
 AECOM

FAÇADE CONSULTANT:  
 AECOM

NOTE :  
 1. ALL DIMENSIONS ARE IN mm.  
 2. ALL ELEVATIONS ARE VIEWED FROM OUTSIDE.  
 3. ALL DIMENSIONS TO BE VERIFIED ON SITE BEFORE FABRICATION.

LEGEND :  
 X1 -- DETAIL MARK NO.  
 X001 -- REFER SHEET NO.

1. F.F.L. -- FINISHED FLOOR LEVEL  
 2. S.F.L. -- STRUCTURAL FLOOR LEVEL  
 3. (R) -- REVERSED DETAIL

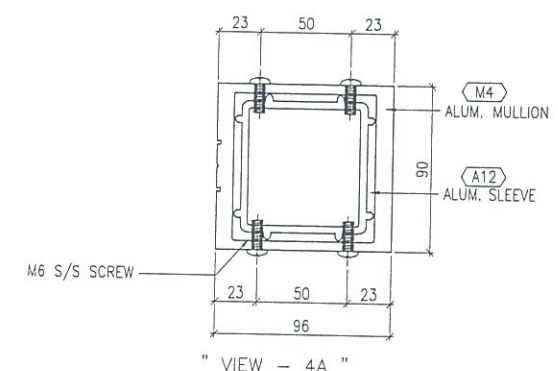
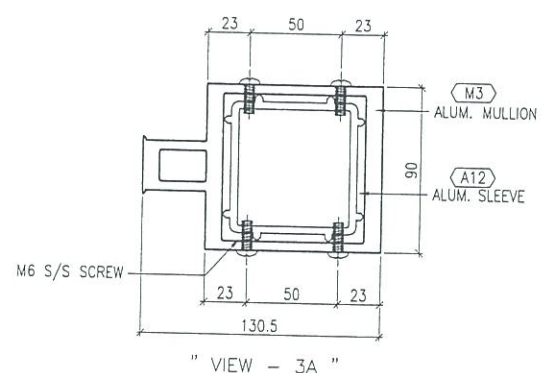
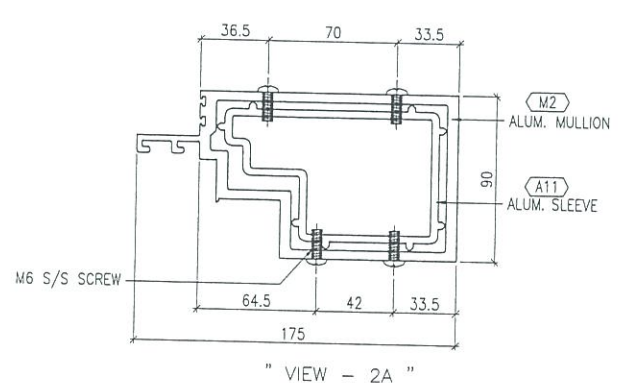
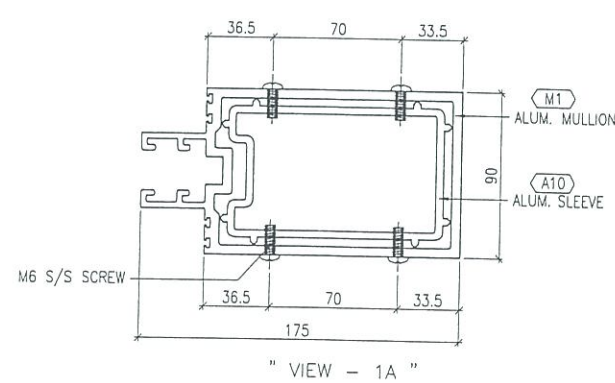
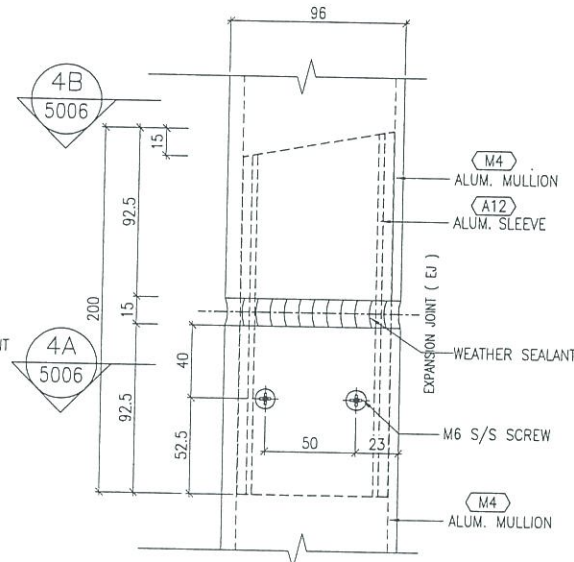
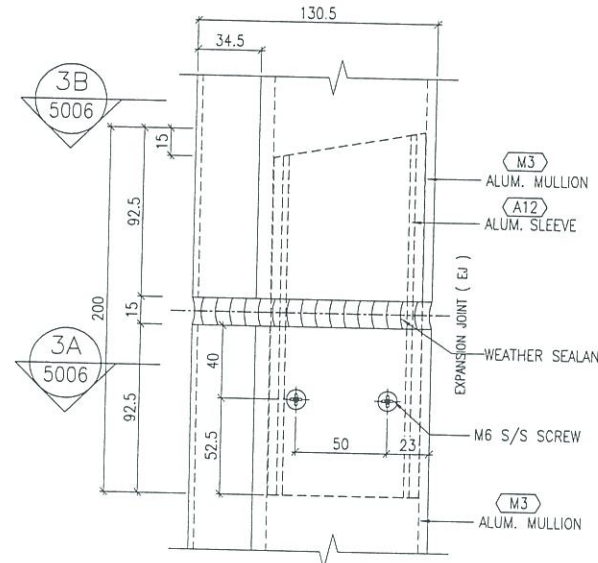
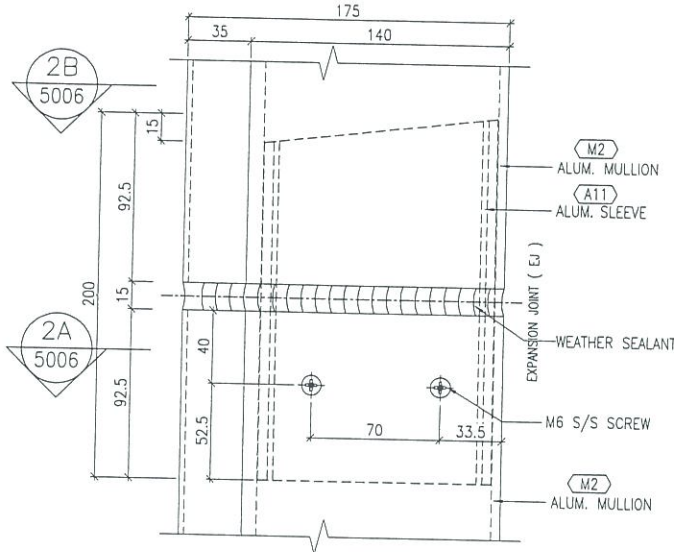
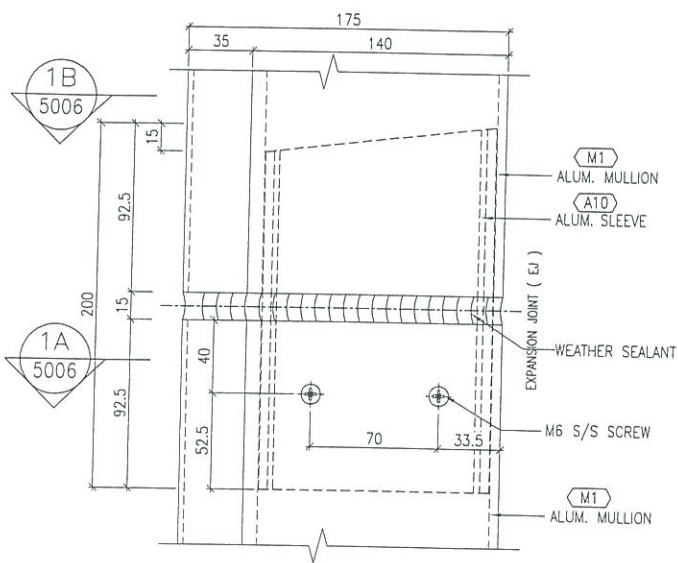
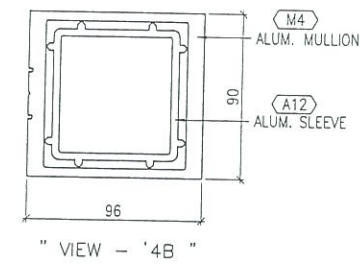
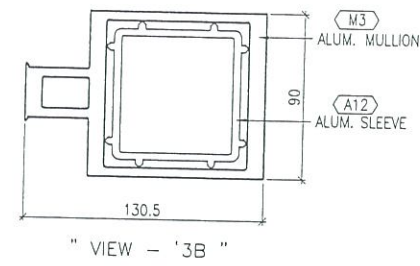
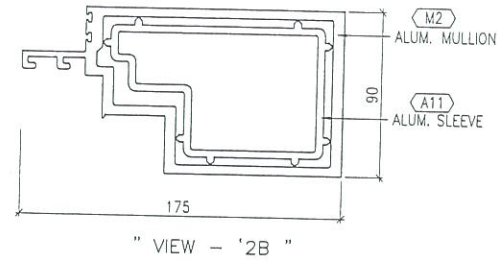
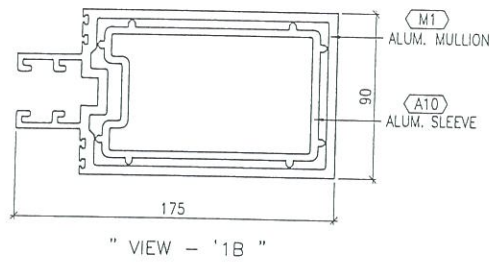
NO.	DATE	REVISED	BY

JOB NO. : J-837  
 PROJECT :  
 URA KWUN TONG TOWN CENTRE  
 REDEVELOPMENT (AREA 2 & 3) AT  
 NKIL 6514, KWUN TONG, KWLOON

TITLE :  
 TYPICAL MULLION DETAIL  
 FOR CURTAIN WALL

DATE : 13-JUL-18 SCALE : 1:2 (A1)  
 DRAWN BY : ASING CHECKED BY : -

 美特鋁質有限公司  
 MIDI ALUMINIUM FABRICATOR LTD.  
 Units 6-B, Sunray Industrial Centre, 1/F  
 610 Cho Kwo Ling Road, Kowloon  
 Tel:23489211-4 Fax:(652)2727666  
 DWG NO. : J837-CW-5007



" ALUMINIUM CURTAIN WALL SLEEVE " - TYPICAL FIXING DETAIL

" ALUMINIUM CURTAIN WALL SLEEVE " - TYPICAL FIXING DETAIL

" ALUMINIUM CURTAIN WALL SLEEVE " - TYPICAL FIXING DETAIL

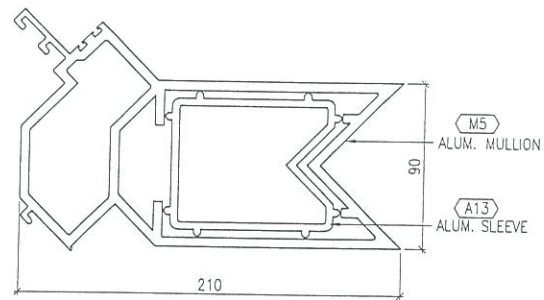
" ALUMINIUM CURTAIN WALL SLEEVE " - TYPICAL FIXING DETAIL

1 TYPICAL MULLION DETAIL  
 5007 CURTAIN WALL

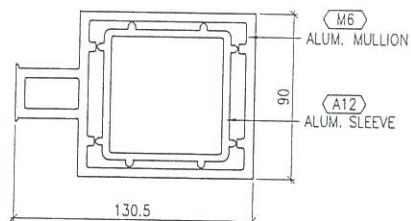
2 TYPICAL MULLION DETAIL  
 5007 CURTAIN WALL

3 TYPICAL MULLION DETAIL  
 5007 CURTAIN WALL

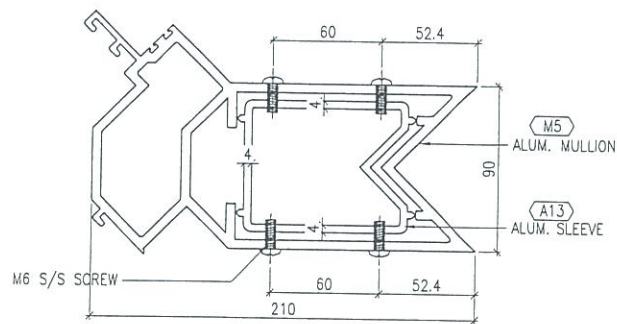
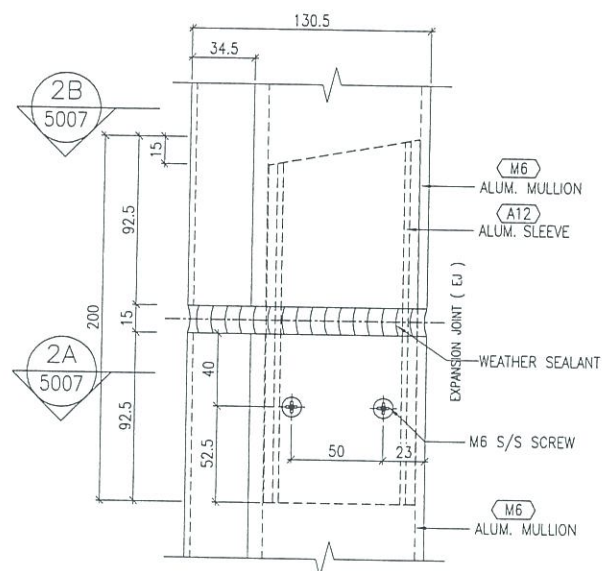
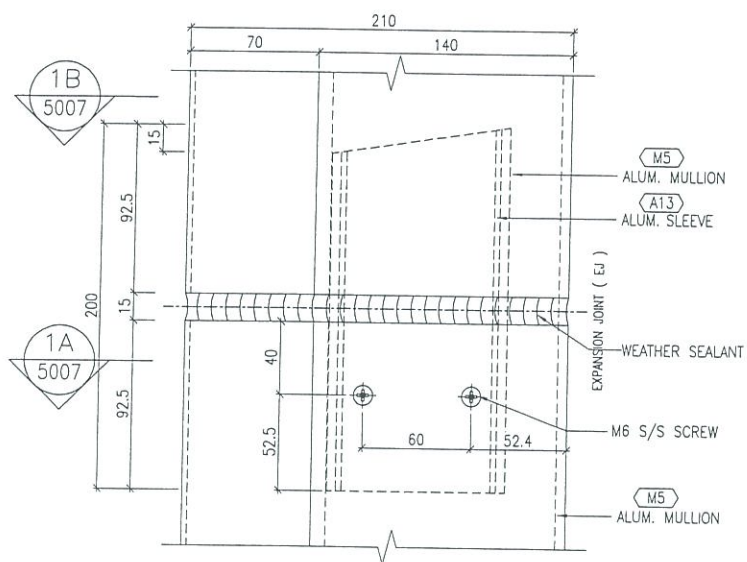
4 TYPICAL MULLION DETAIL  
 5007 CURTAIN WALL



" VIEW - '1B "

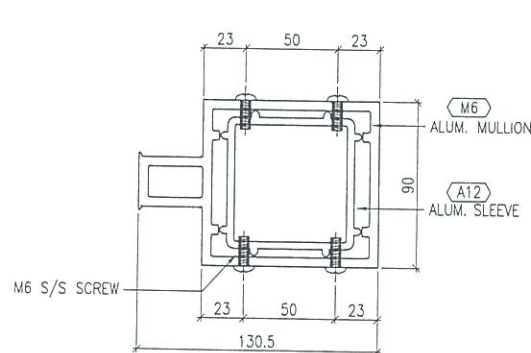


" VIEW - '2B "



" VIEW - 1A "

" ALUMINIUM CURTAIN WALL SLEEVE " - TYPICAL FIXING DETAIL



" VIEW - 2A "

" ALUMINIUM CURTAIN WALL SLEEVE " - TYPICAL FIXING DETAIL

1 TYPICAL MULLION DETAIL  
5008 CURTAIN WALL

2 TYPICAL MULLION DETAIL  
5008 CURTAIN WALL

B.D. REF :

CLIENT :

信和置業有限公司  
Sino Land Company Limited

ARCHITECT :  
WONG TUNG & PARTNERS LIMITED  
ARCHITECTS & PLANNERS



MAIN CONTRACTOR :

CR Construction Company Limited

STRUCTURAL ENGINEER :

AZCOM

FACADE CONSULTANT:

AZCOM

NOTE :

1. ALL DIMENSIONS ARE IN mm.
2. ALL ELEVATIONS ARE VIEWED FROM OUTSIDE.
3. ALL DIMENSIONS TO BE VERIFIED ON SITE BEFORE FABRICATION.

LEGEND :

- X1 --- DETAIL MARK NO.
- X001 --- REFER SHEET NO.

1. F.F.L. --- FINISHED FLOOR LEVEL
2. S.F.L. --- STRUCTURAL FLOOR LEVEL
3. /R --- REVERSED DETAIL

NO.	DATE	REVISED	BY

JOB NO. : J-837

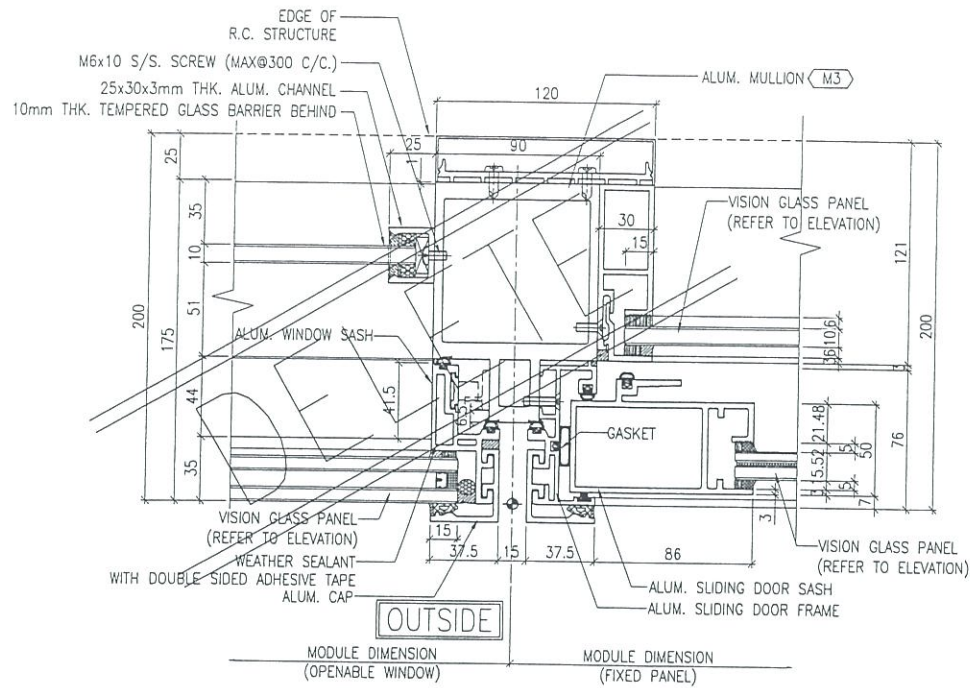
PROJECT :  
URA KWUN TONG TOWN CENTRE  
REDEVELOPMENT (AREA 2 & 3) AT  
NKIL 6514, KWUN TONG, KWLOON

TITLE :  
TYPICAL MULLION DETAIL  
FOR CURTAIN WALL

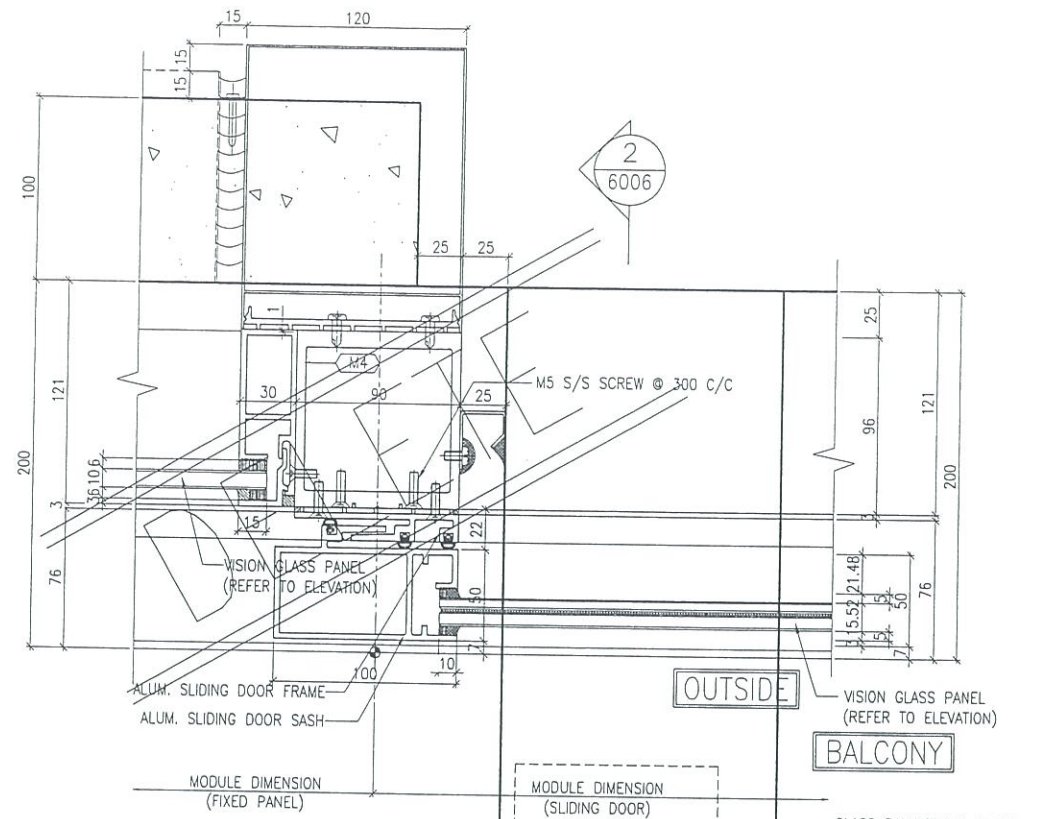
DATE : 13-JUL-18 SCALE : 1:2 (A1)

DRAWN BY : ASING CHECKED BY : -

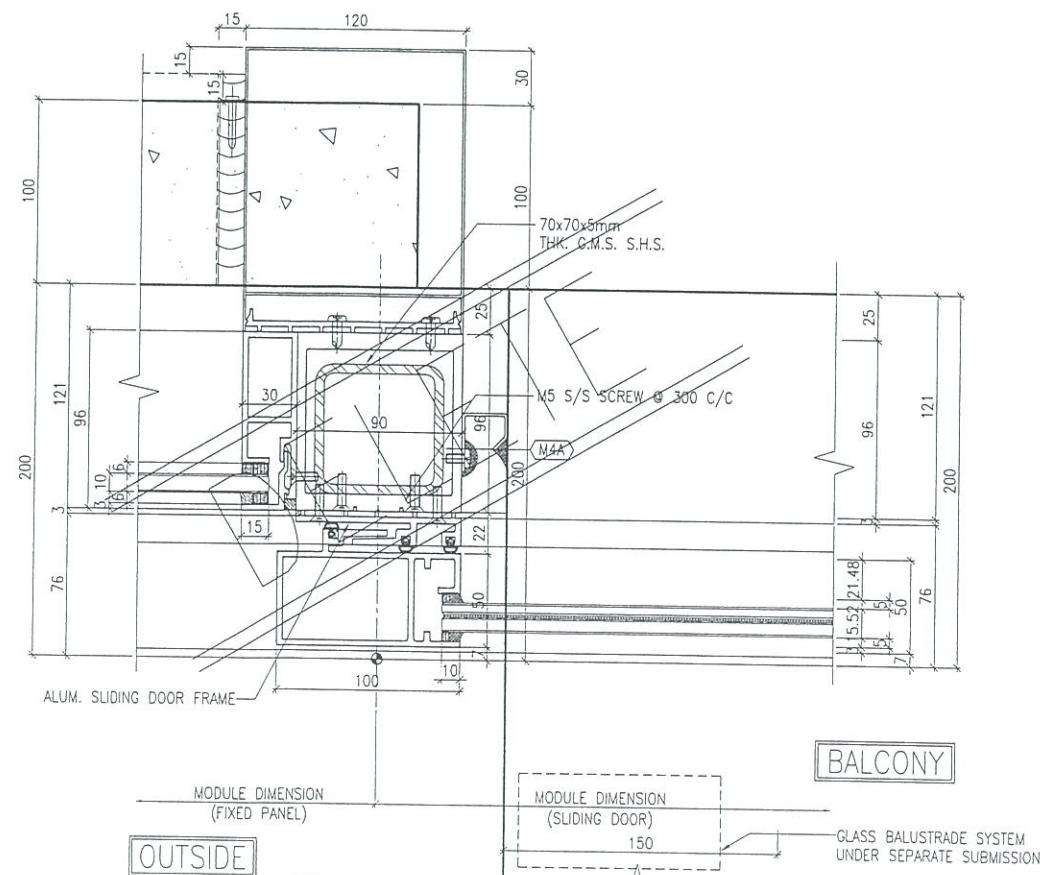
美特鋁質有限公司  
MIDI ALUMINIUM FABRICATOR LTD.  
Units 6-8, Sunray Industrial Centre, 1/F  
610 Cha Kwo Ling Road, Kowloon  
Tel: 23489211-4 Fax: (852) 27727666



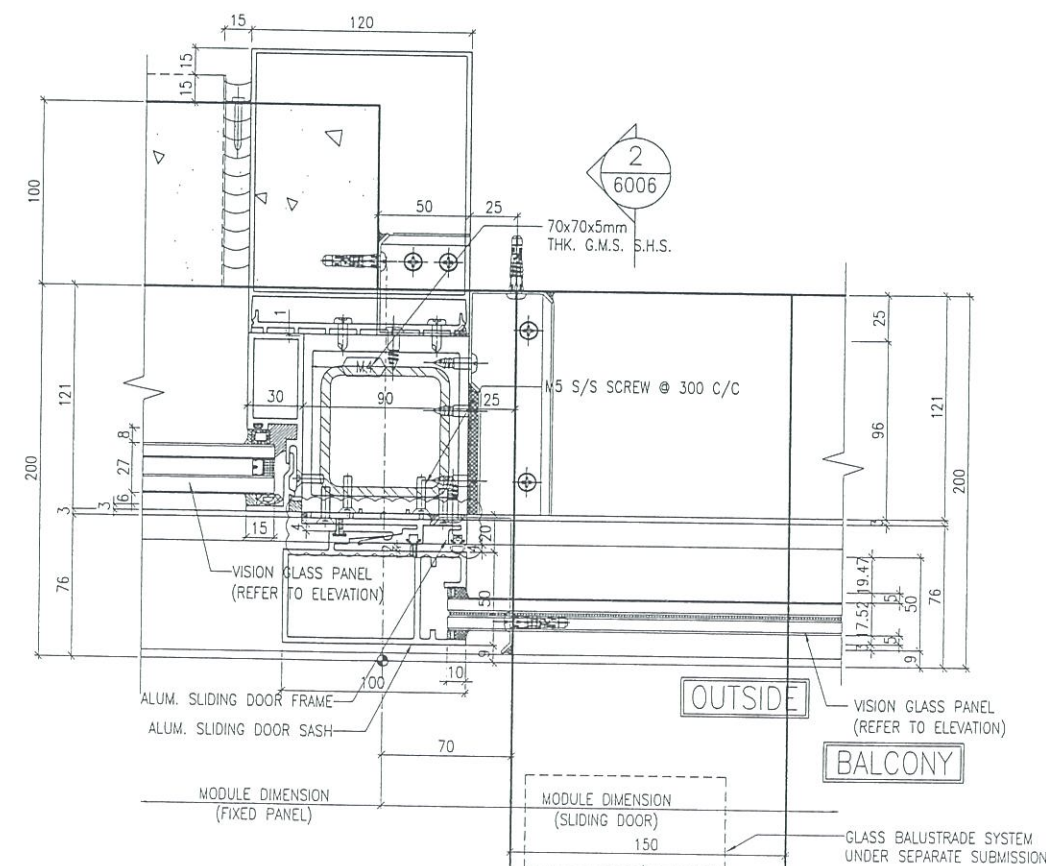
1 TYPICAL MULLION DETAIL  
5009 CURTAIN WALL



2 TYPICAL MULLION DETAIL  
5009 CURTAIN WALL



3 TYPICAL MULLION DETAIL  
5009 CURTAIN WALL



4 TYPICAL MULLION DETAIL  
5009 CURTAIN WALL

B.D. REF :

CLIENT :

信和置業有限公司  
Sino Land Company Limited

ARCHITECT :  
WONG TUNG & PARTNERS LIMITED  
ARCHITECTS & PLANNERS



MAIN CONTRACTOR :

CR Construction Company Limited

STRUCTURAL ENGINEER :

AECOM

FAÇADE CONSULTANT:

AECOM

NOTE :

1. ALL DIMENSIONS ARE IN mm.
2. ALL ELEVATIONS ARE VIEWED FROM OUTSIDE.
3. ALL DIMENSIONS TO BE VERIFIED ON SITE BEFORE FABRICATION.

LEGEND :

- X1 — DETAIL MARK NO.
- X001 — REFER SHEET NO.

1. F.F.L. — FINISHED FLOOR LEVEL
2. S.F.L. — STRUCTURAL FLOOR LEVEL
3. (R) — REVERSED DETAIL

B	04/12/2018	GENERAL REVISED	
A	24/11/2018	GENERAL REVISED	
NO.	DATE	REVISED	BY

JOB NO. : J-837

PROJECT :  
URA KWUN TONG TOWN CENTRE  
REDEVELOPMENT (AREA 2 & 3) AT  
NKIL 6514, KWUN TONG, KWLOON

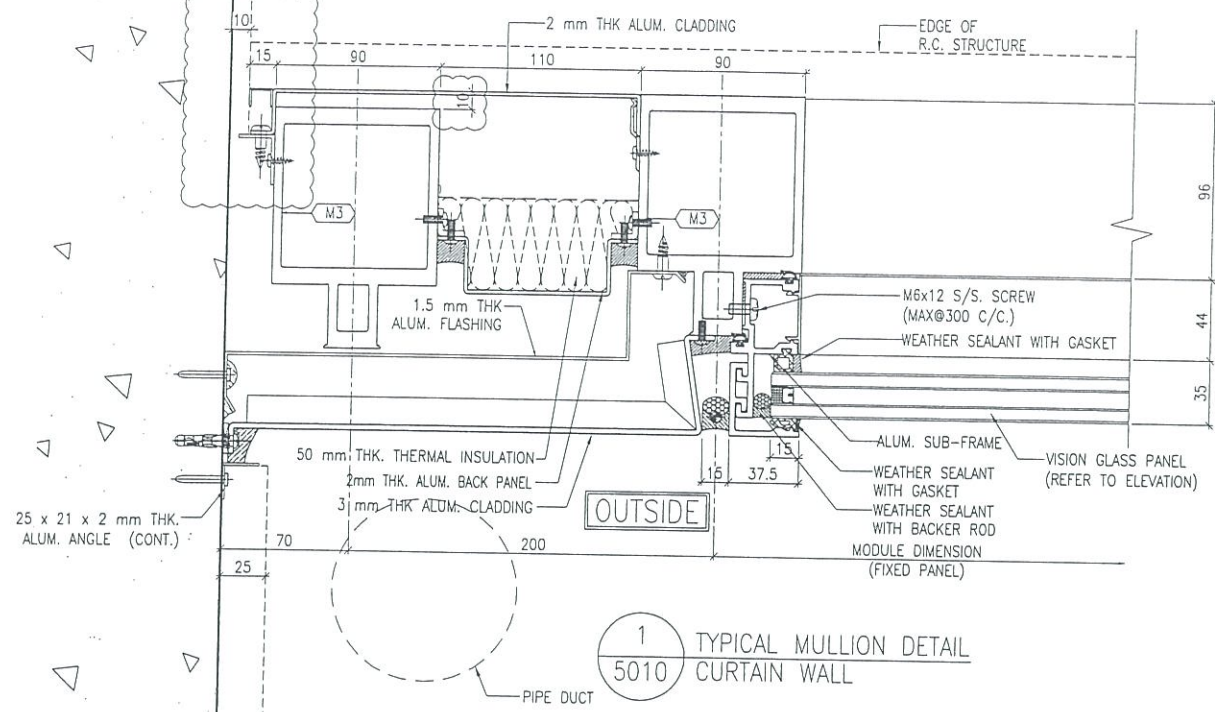
TITLE :  
TYPICAL MULLION DETAIL  
FOR CURTAIN WALL

DATE : 13-JUL-18 SCALE : 1:2 (A1)

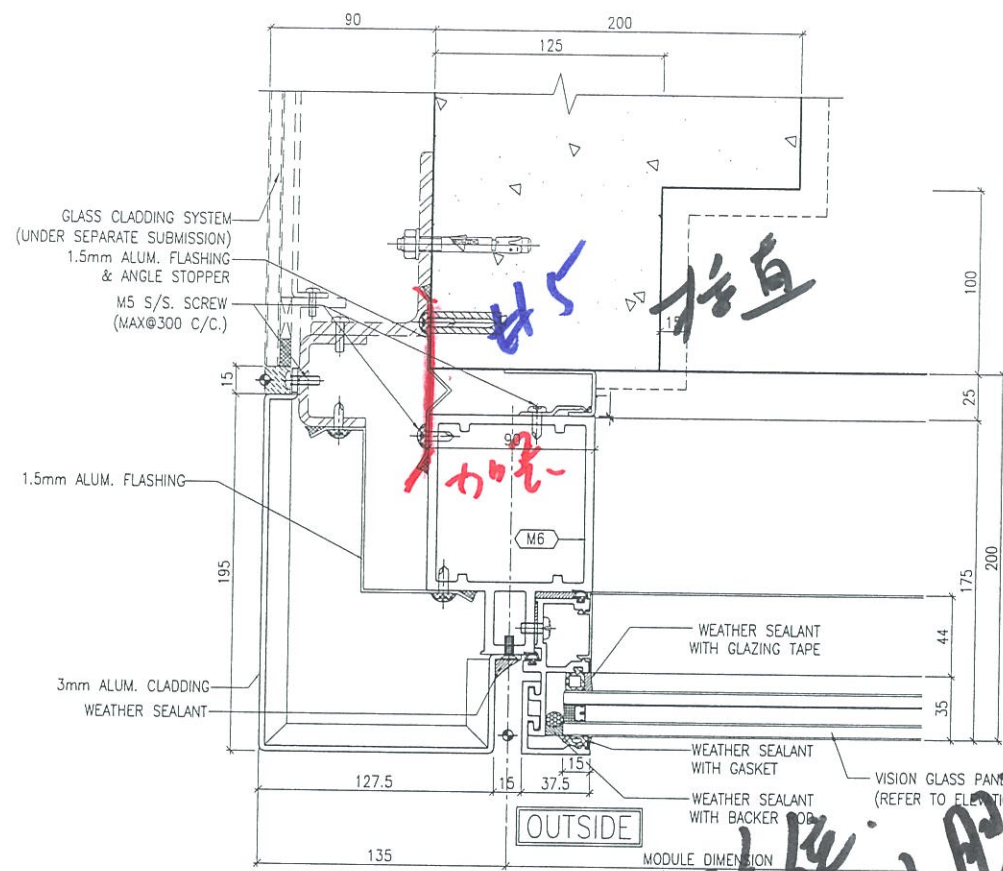
DRAWN BY : ASING CHECKED BY : -

英特鋁質有限公司  
MIDI ALUMINIUM FABRICATOR LTD.  
Units 6-8, Sunray Industrial Centre, 1/F  
610 Cha Kwo Ling Road, Kowloon  
Tel:23489211-4 Fax:(852)2727666

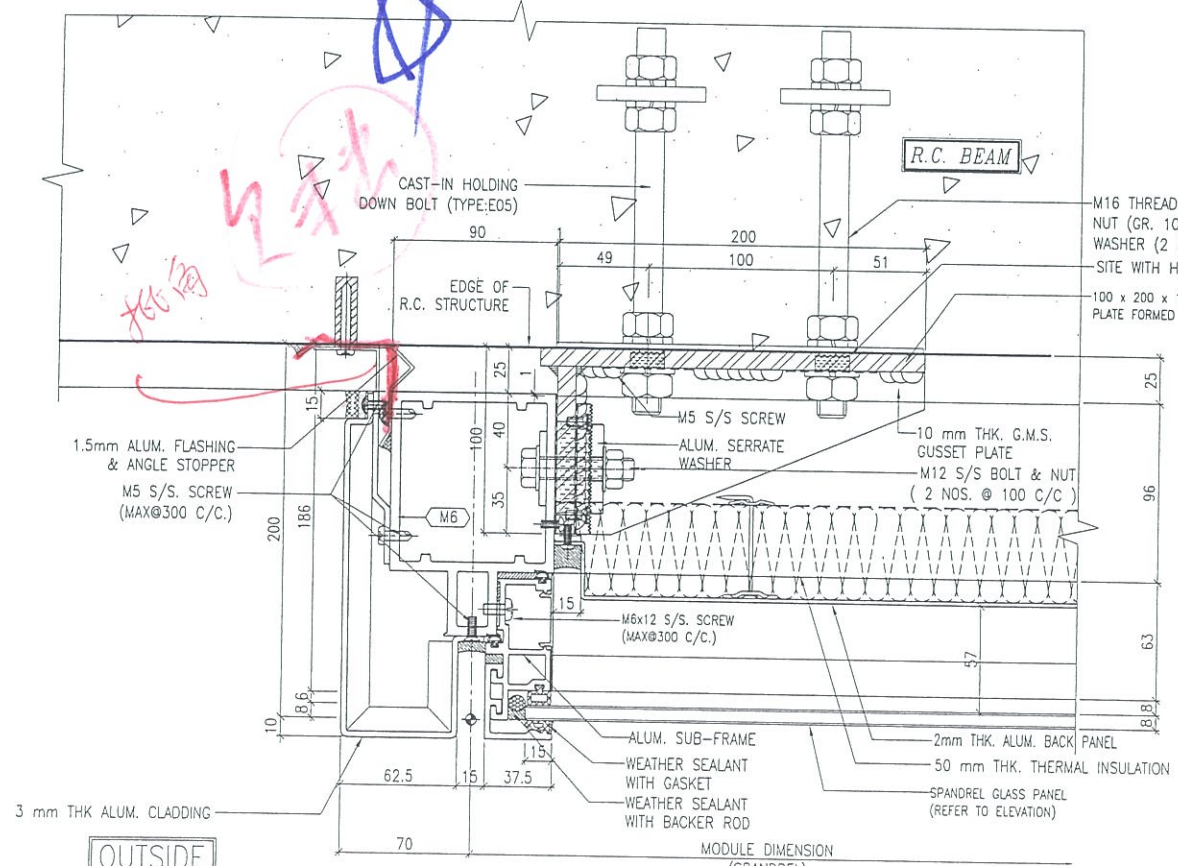
DWG NO. : J837-CW-5009 REV. : B



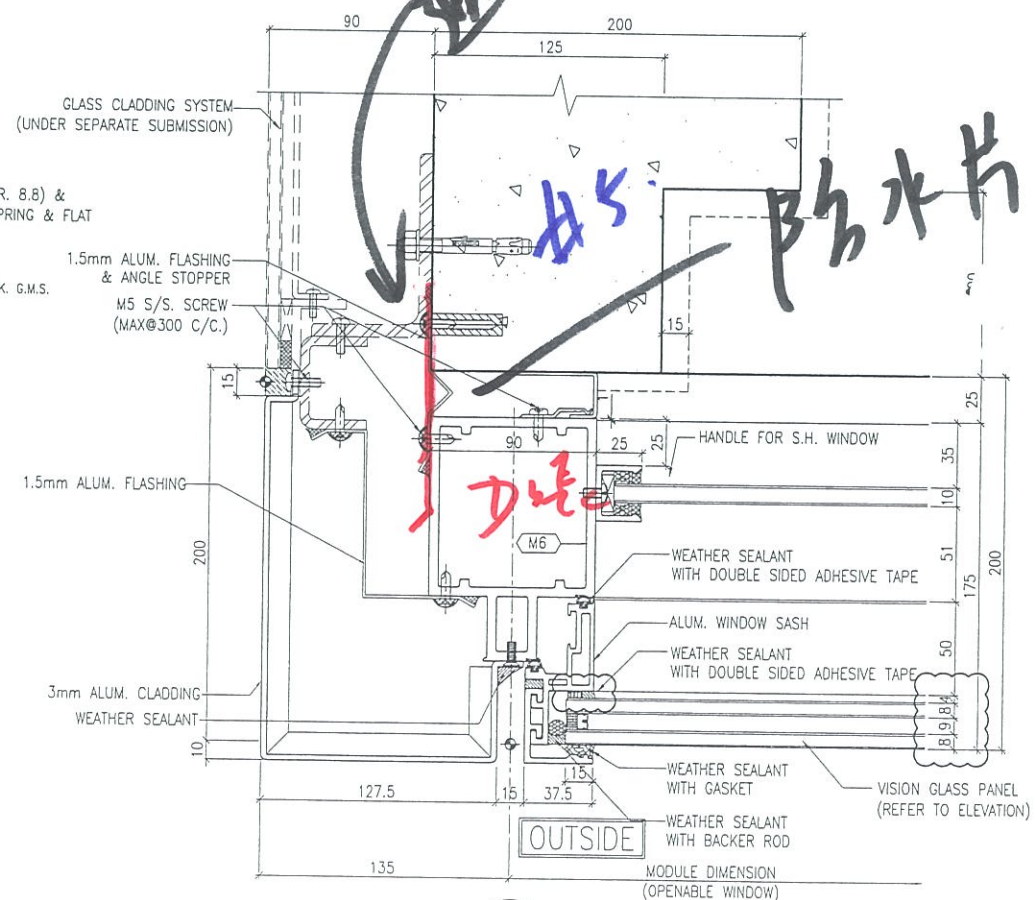
1 TYPICAL MULLION DETAIL CURTAIN WALL



2 TYPICAL MULLION DETAIL CURTAIN WALL



3 TYPICAL MULLION DETAIL CURTAIN WALL



4 TYPICAL MULLION DETAIL CURTAIN WALL

B.D. REF :

CLIENT :  
信和置業有限公司  
Sino Land Company Limited

ARCHITECT :  
WONG TUNG & PARTNERS LIMITED  
ARCHITECTS & PLANNERS

MAIN CONTRACTOR :  
CR Construction Company Limited

STRUCTURAL ENGINEER :  
AA-COM

FACADE CONSULTANT :  
AA-COM

- NOTE :
- ALL DIMENSIONS ARE IN mm.
  - ALL ELEVATIONS ARE VIEWED FROM OUTSIDE.
  - ALL DIMENSIONS TO BE VERIFIED ON SITE BEFORE FABRICATION.
- LEGEND :
- X1 --- DETAIL MARK NO.
  - X001 --- REFER SHEET NO.
- F.F.L. --- FINISHED FLOOR LEVEL
  - S.F.L. --- STRUCTURAL FLOOR LEVEL
  - ⊕ --- REVERSED DETAIL

NO.	DATE	REVISED	BY
B	22/12/2018	GENERAL REVISED	
A	24/11/2018	GENERAL REVISED	

JOB NO. : J-837  
PROJECT :  
URA KWUN TONG TOWN CENTRE  
REDEVELOPMENT (AREA 2 & 3) AT  
NKIL 6514, KWUN TONG, KWLOON

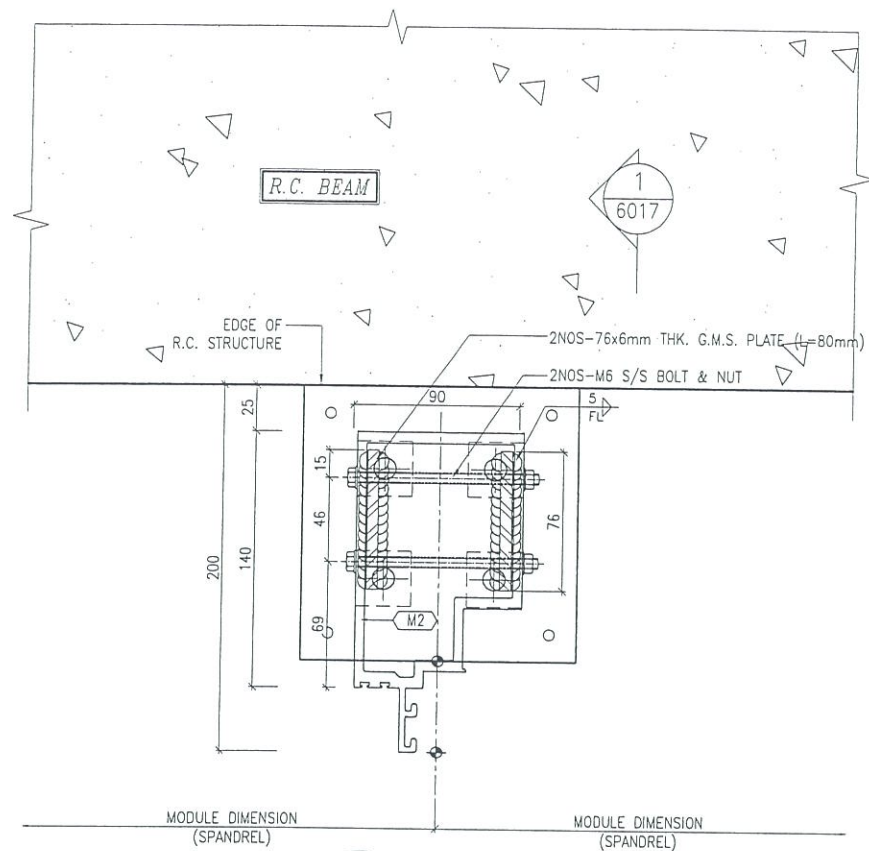
TITLE :  
TYPICAL MULLION DETAIL  
FOR CURTAIN WALL

DATE : 13-JUL-18 SCALE : 1:2 (A1)  
DRAWN BY : ASING CHECKED BY : -

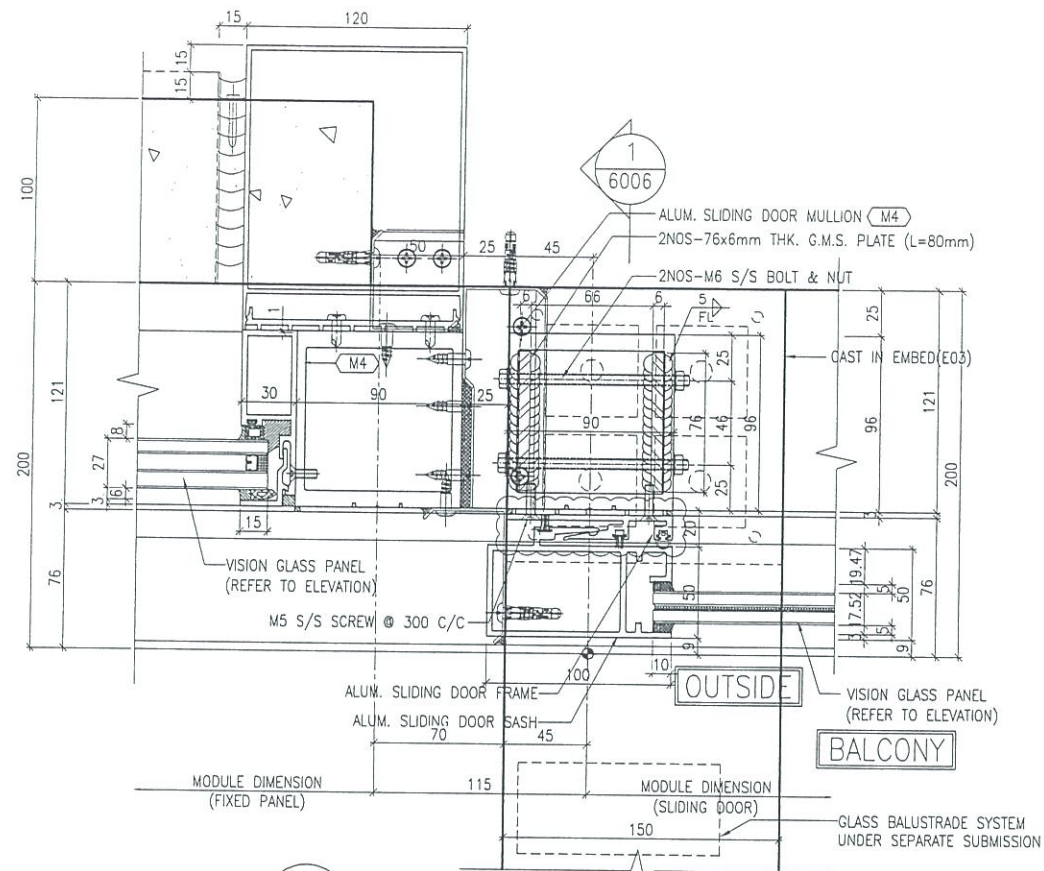
MIDI ALUMINIUM FABRICATOR LTD.  
Units 6-8, Sunray Industrial Centre, 1/F  
610 Cha Kwo Ling Road, Kowloon  
Tel: 23489211-4 Fax: (852) 2727666

Handwritten notes in Chinese:

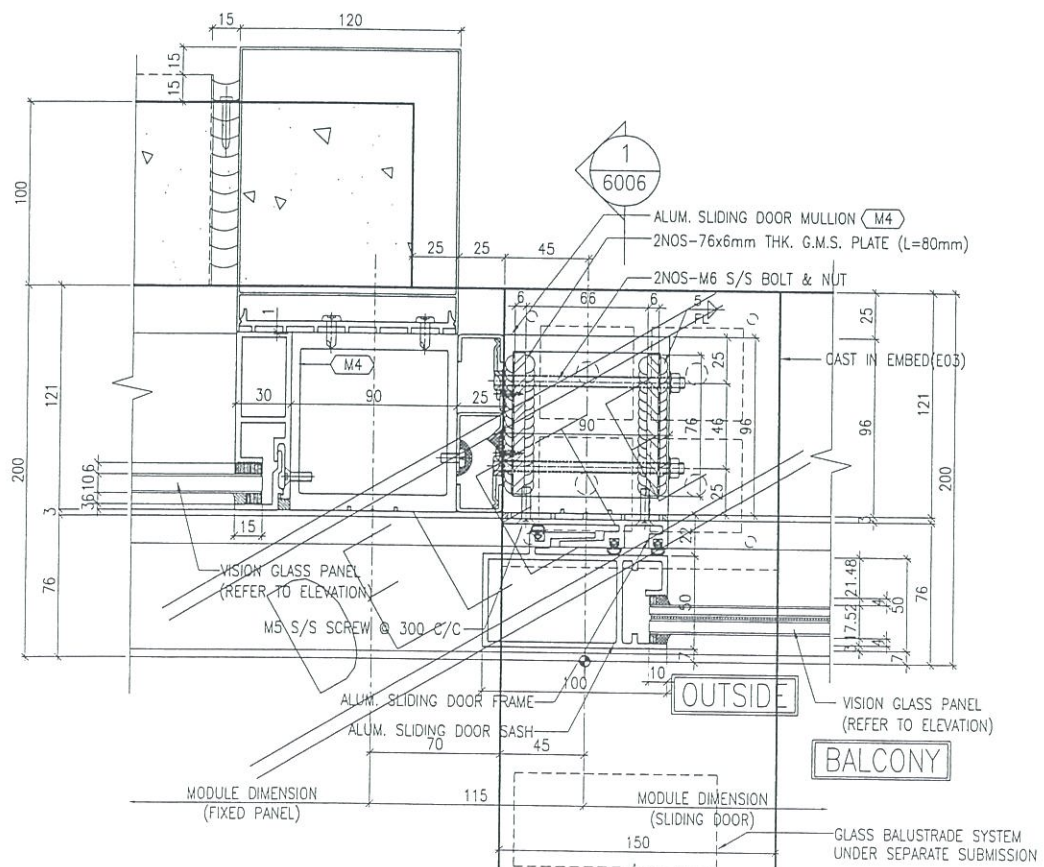
- 加高 (Increase height)
- 直 (Straight)
- 不搭 (Does not fit)
- 防水片 (Waterproofing sheet)
- 加高 (Increase height)
- 直 (Straight)
- 不搭 (Does not fit)



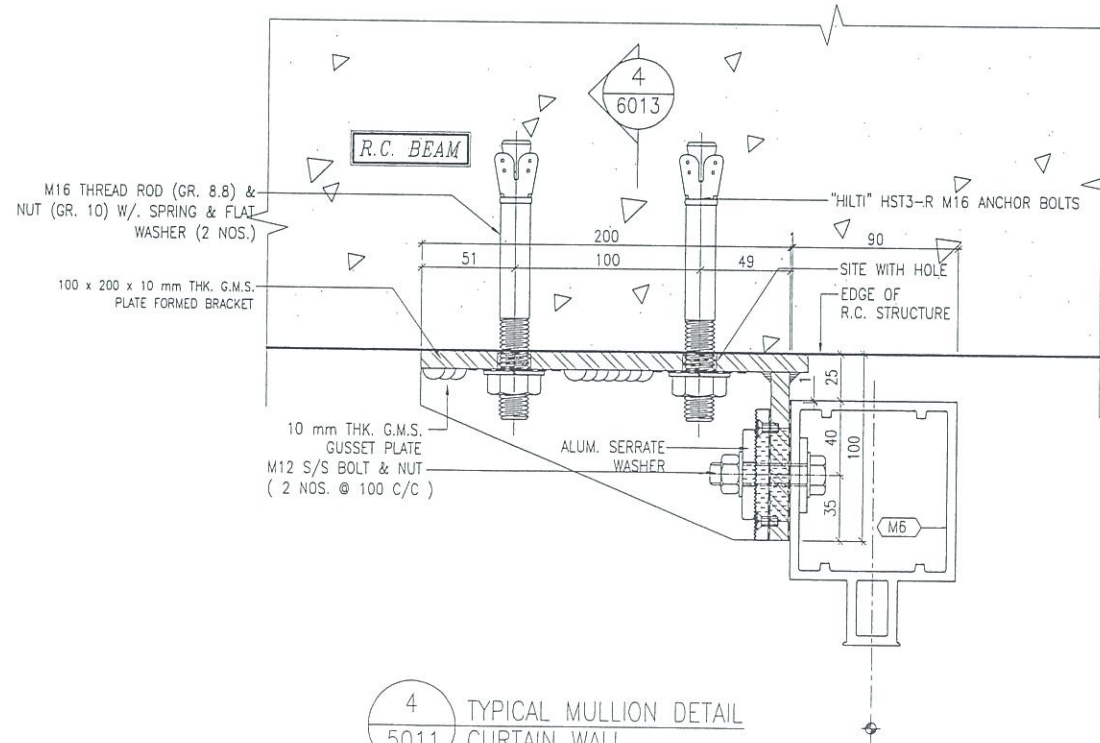
1 TYPICAL MULLION DETAIL CURTAIN WALL 5011



2 TYPICAL MULLION DETAIL CURTAIN WALL 5011



3 TYPICAL MULLION DETAIL CURTAIN WALL 5011



4 TYPICAL MULLION DETAIL CURTAIN WALL 5011

B.D. REF :

CLIENT :  
 信和置業有限公司  
 Sino Land Company Limited

ARCHITECT :  
 WONG TUNG & PARTNERS LIMITED  
 ARCHITECTS & PLANNERS

MAIN CONTRACTOR :  
 CR Construction Company Limited

STRUCTURAL ENGINEER :  
 AECOM

FACADE CONSULTANT:  
 AECOM

NOTE :  
 1. ALL DIMENSIONS ARE IN mm.  
 2. ALL ELEVATIONS ARE VIEWED FROM OUTSIDE.  
 3. ALL DIMENSIONS TO BE VERIFIED ON SITE BEFORE FABRICATION.

LEGEND :  
 X1 --- DETAIL MARK NO.  
 W001 --- REFER SHEET NO.

1. F.F.L. --- FINISHED FLOOR LEVEL  
 2. S.F.L. --- STRUCTURAL FLOOR LEVEL  
 3. (R) --- REVERSED DETAIL

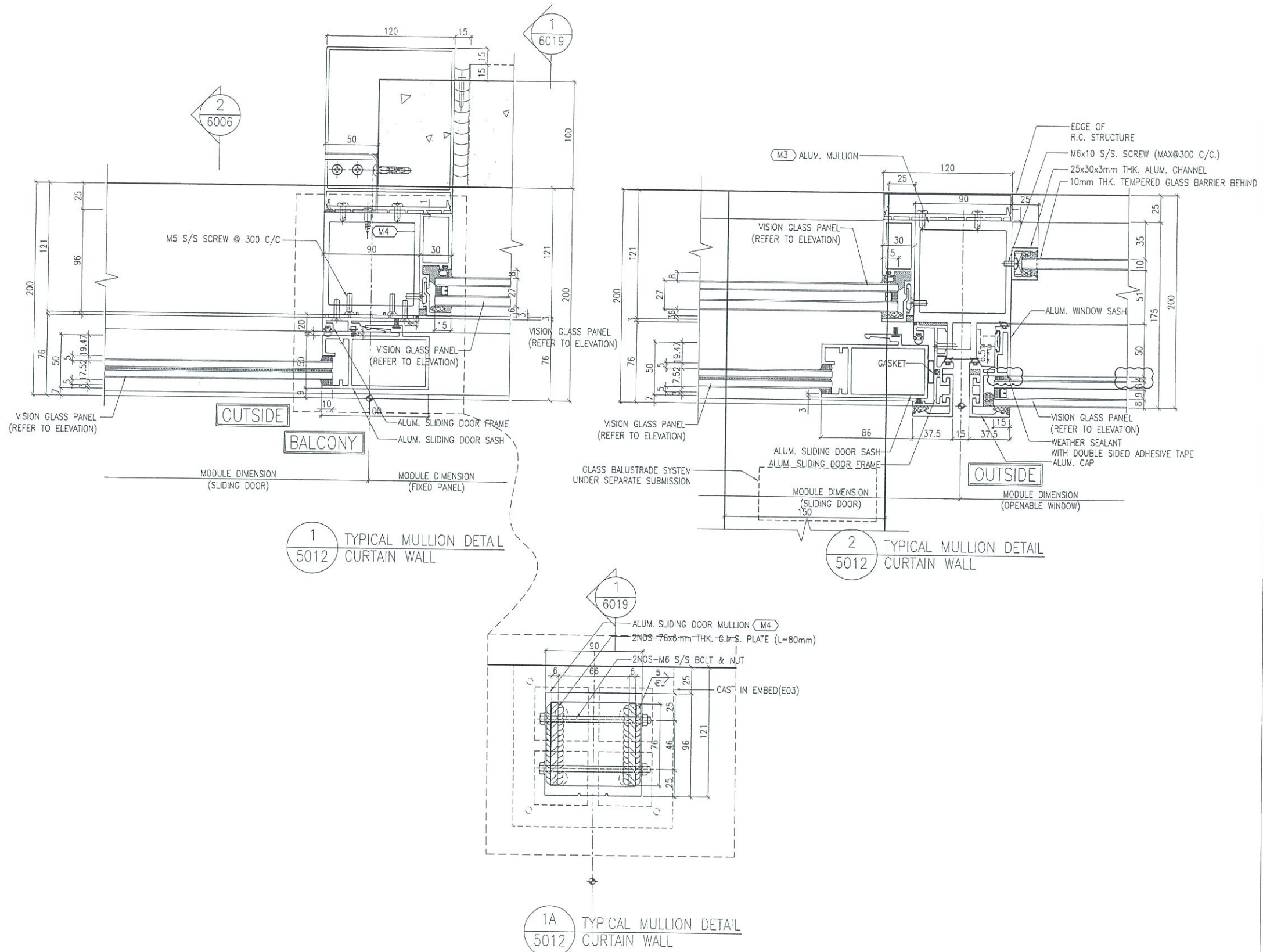
B	04/12/2018	GENERAL REVISED	
A	24/11/2018	GENERAL REVISED	
NO.	DATE	REVISED	BY

JOB NO. : J-837  
 PROJECT :  
 URA KWUN TONG TOWN CENTRE  
 REDEVELOPMENT (AREA 2 & 3) AT  
 NKIL 6514, KWUN TONG, KWLOON

TITLE :  
 TYPICAL MULLION DETAIL  
 FOR CURTAIN WALL

DATE : 13-JUL-18 SCALE : 1:2 (A1)  
 DRAWN BY : ASING CHECKED BY : -

MIDI ALUMINIUM FABRICATOR LTD.  
 Units 6-8, Sunray Industrial Centre, 1/F  
 610 Cha Kwo Ling Road, Kowloon  
 Tel: 23489211-4 Fax: (852) 2727666



B.D. REF :

CLIENT :  
 信和置業有限公司  
 Sino Land Company Limited

ARCHITECT :  
 WONG TUNG & PARTNERS LIMITED  
 ARCHITECTS & PLANNERS

MAIN CONTRACTOR :  
 CR Construction Company Limited

STRUCTURAL ENGINEER :  
 AECOM

FACADE CONSULTANT:  
 AECOM

NOTE :  
 1. ALL DIMENSIONS ARE IN mm.  
 2. ALL ELEVATIONS ARE VIEWED FROM OUTSIDE.  
 3. ALL DIMENSIONS TO BE VERIFIED ON SITE BEFORE FABRICATION.

LEGEND :  
 X1 --- DETAIL MARK NO.  
 X001 --- REFER SHEET NO.

1. F.F.L. --- FINISHED FLOOR LEVEL  
 2. S.F.L. --- STRUCTURAL FLOOR LEVEL  
 3. (R) --- REVERSED DETAIL

B	22/12/2018	GENERAL REVISED	
A	04/12/2018	GENERAL REVISED	
NO.	DATE	REVISED	BY

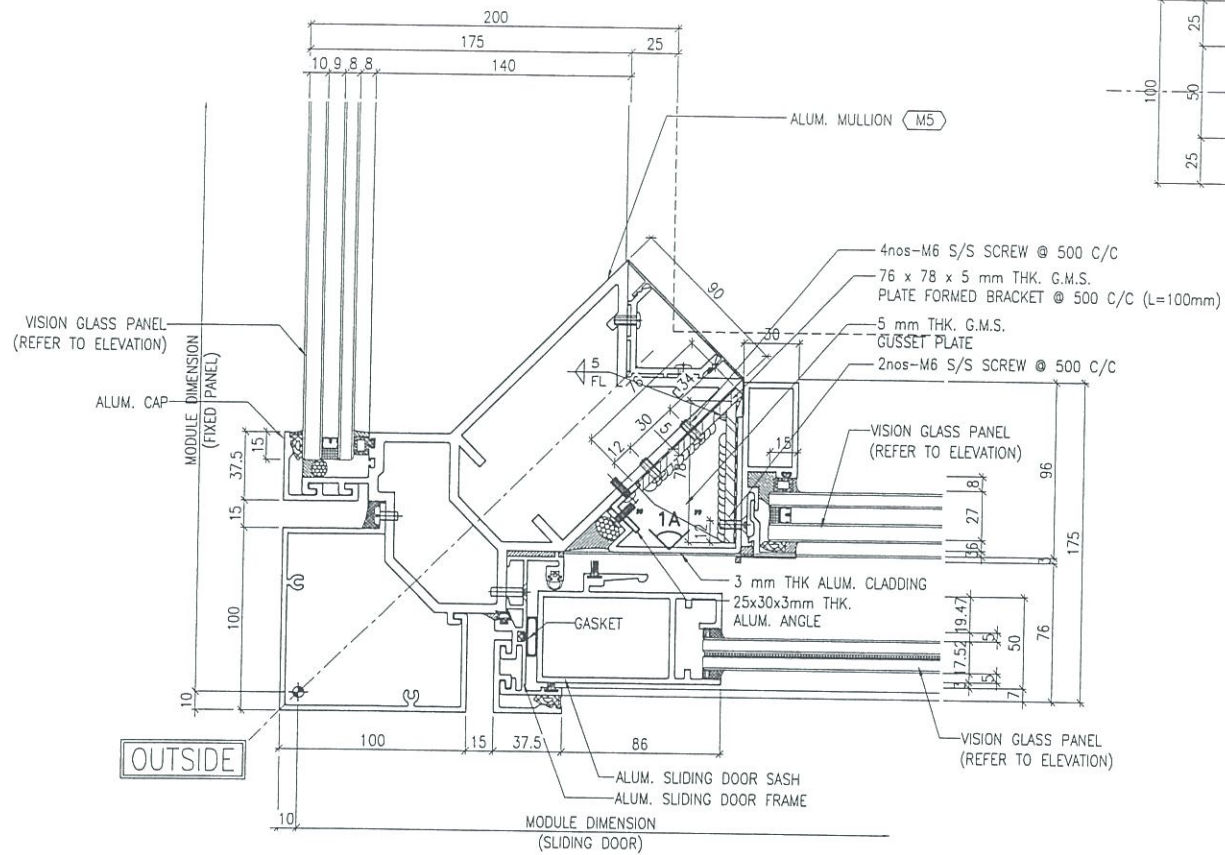
JOB NO. : J-837  
 PROJECT :  
 URA KWUN TONG TOWN CENTRE  
 REDEVELOPMENT (AREA 2 & 3) AT  
 NKIL 6514, KWUN TONG, KWLOON

TITLE :  
 TYPICAL MULLION DETAIL  
 FOR CURTAIN WALL

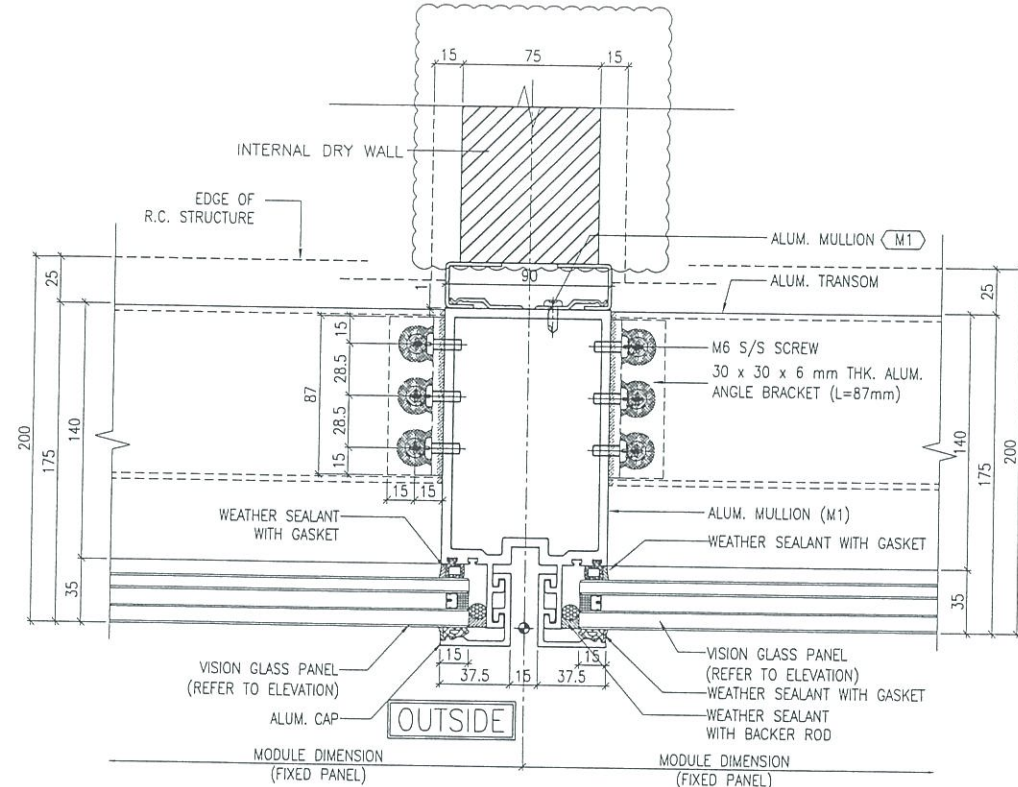
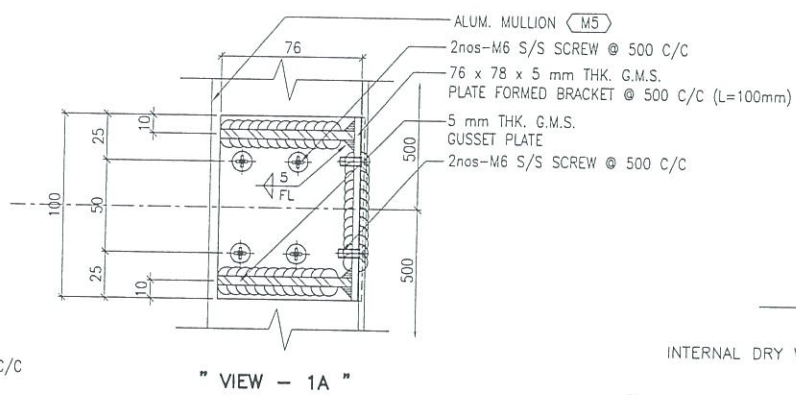
DATE : 24-NOV-18 SCALE : 1:2 (A1)

DRAWN BY : ASING CHECKED BY : -

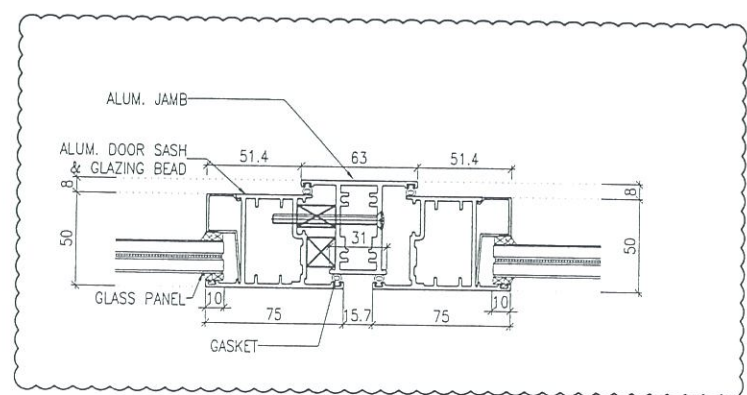
美特鋁質有限公司  
 MIDI ALUMINIUM FABRICATOR LTD.  
 Units 6-8, Sunray Industrial Centre, 1/F  
 610 Cha Kwa Ling Road, Kowloon  
 Tel: 23489211-4 Fax: (852) 2727666



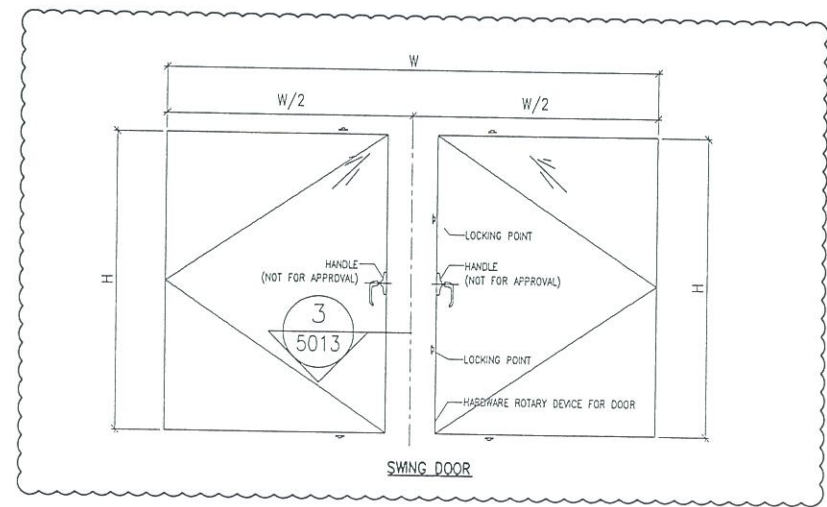
1 TYPICAL MULLION DETAIL  
5013 CURTAIN WALL



2 TYPICAL MULLION DETAIL  
5013 CURTAIN WALL



3 TYPICAL MULLION DETAIL  
5013 CURTAIN WALL



B.D. REF :

CLIENT :  
信和置業有限公司  
Sino Land Company Limited

ARCHITECT :  
WONG TUNG & PARTNERS LIMITED  
ARCHITECTS & PLANNERS

MAIN CONTRACTOR :  
CR Construction Company Limited

STRUCTURAL ENGINEER :  
AECOM

FAÇADE CONSULTANT:  
AECOM

NOTE :  
1. ALL DIMENSIONS ARE IN mm.  
2. ALL ELEVATIONS ARE VIEWED FROM OUTSIDE.  
3. ALL DIMENSIONS TO BE VERIFIED ON SITE BEFORE FABRICATION.

LEGEND :  
X1 --- DETAIL MARK NO.  
X001 --- REFER SHEET NO.

1. F.F.L. --- FINISHED FLOOR LEVEL  
2. S.F.L. --- STRUCTURAL FLOOR LEVEL  
3. (R) --- REVERSED DETAIL

A	22/12/2018	GENERAL REVISED	
NO.	DATE	REVISED	BY

JOB NO. : J-837  
PROJECT :  
URA KWUN TONG TOWN CENTRE  
REDEVELOPMENT (AREA 2 & 3) AT  
NKIL 6514, KWUN TONG, KWLOON

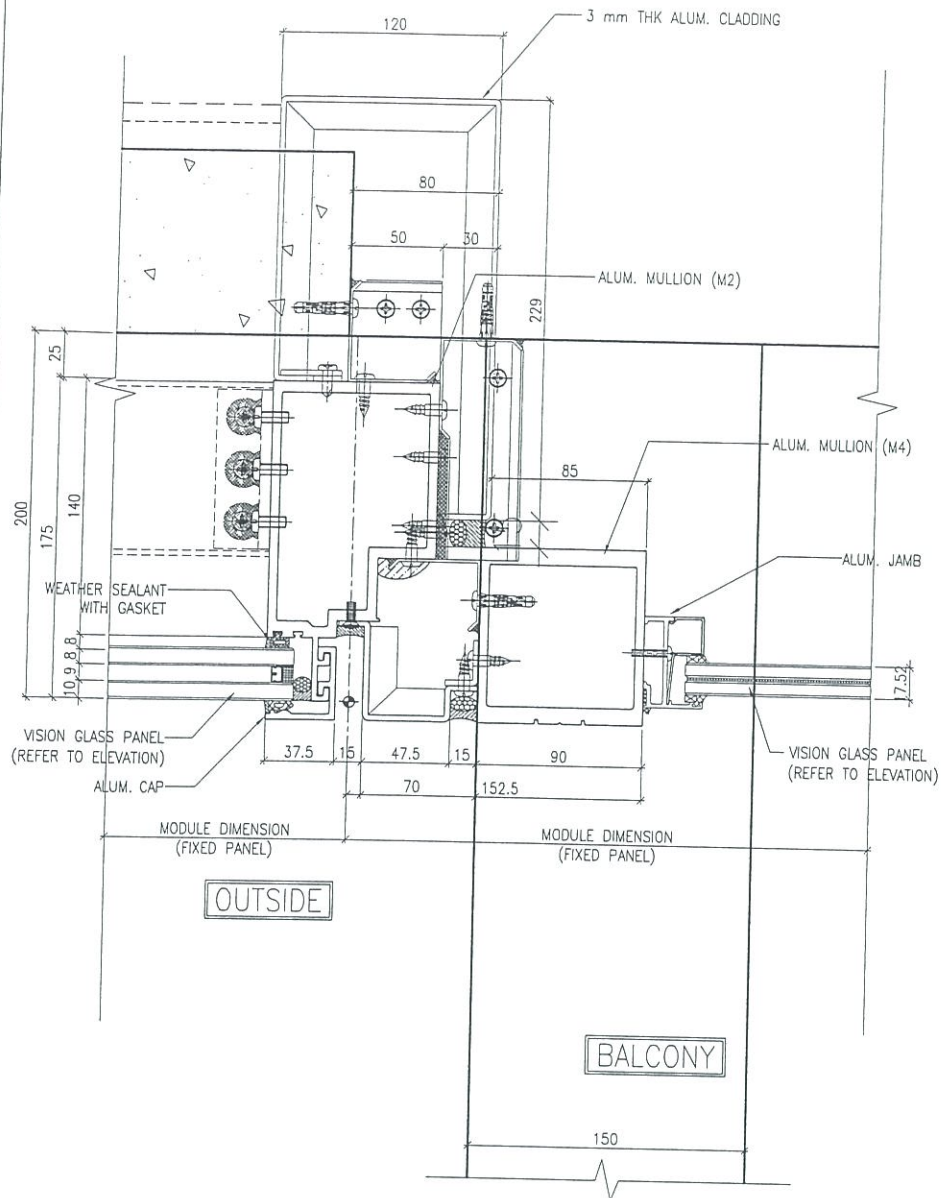
TITLE :  
TYPICAL MULLION DETAIL  
FOR CURTAIN WALL

DATE : 24-NOV-18 SCALE : 1:2 (A1)

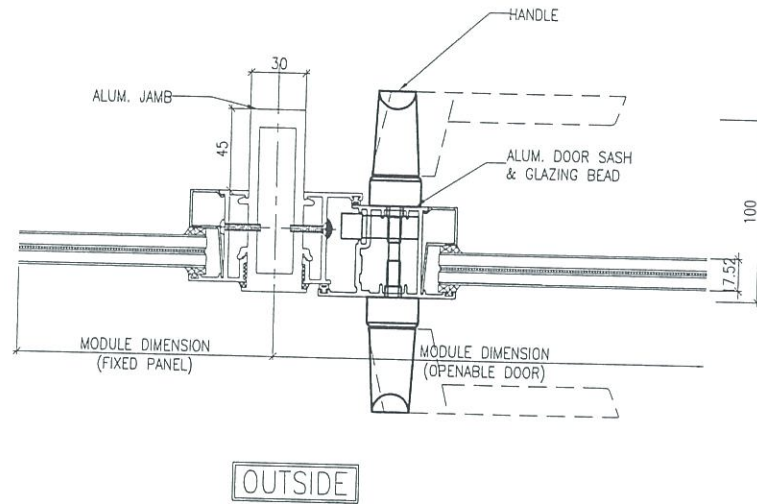
DRAWN BY : ASING CHECKED BY : -

英特鋁質有限公司  
MIDI ALUMINIUM FABRICATOR LTD.  
Units 6-8, Sunray Industrial Centre, 1/F  
610 Cha Kwo Ling Road, Kowloon  
Tel:23489211-4 Fax:(852)27727666

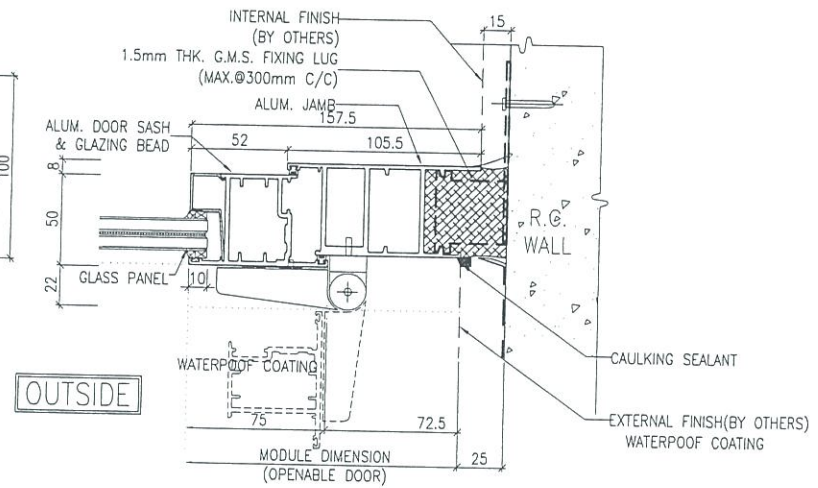
DWG NO. : J837-CW-5013 REV. : A



1 TYPICAL MULLION DETAIL  
5014 CURTAIN WALL



2 TYPICAL MULLION DETAIL  
5014 CURTAIN WALL



3 TYPICAL MULLION DETAIL  
5014 CURTAIN WALL

B.D. REF :

CLIENT :

信和置業有限公司  
Sino Land Company Limited

ARCHITECT : WONG TUNG & PARTNERS LIMITED  
ARCHITECTS & PLANNERS



MAIN CONTRACTOR :

CR Construction Company Limited

STRUCTURAL ENGINEER :

AECOM

FACADE CONSULTANT:

AECOM

NOTE :

1. ALL DIMENSIONS ARE IN mm.
2. ALL ELEVATIONS ARE VIEWED FROM OUTSIDE.
3. ALL DIMENSIONS TO BE VERIFIED ON SITE BEFORE FABRICATION.

LEGEND :

- X1 — DETAIL MARK NO.
- X001 — REFER SHEET NO.

1. F.F.L. — FINISHED FLOOR LEVEL
2. S.F.L. — STRUCTURAL FLOOR LEVEL
3. (R) — REVERSED DETAIL

NO.	DATE	REVISED	BY

JOB NO. : J-837

PROJECT :  
URA KWUN TONG TOWN CENTRE  
REDEVELOPMENT (AREA 2 & 3) AT  
NKIL 6514, KWUN TONG, KWLOON

TITLE :  
TYPICAL MULLION DETAIL  
FOR CURTAIN WALL

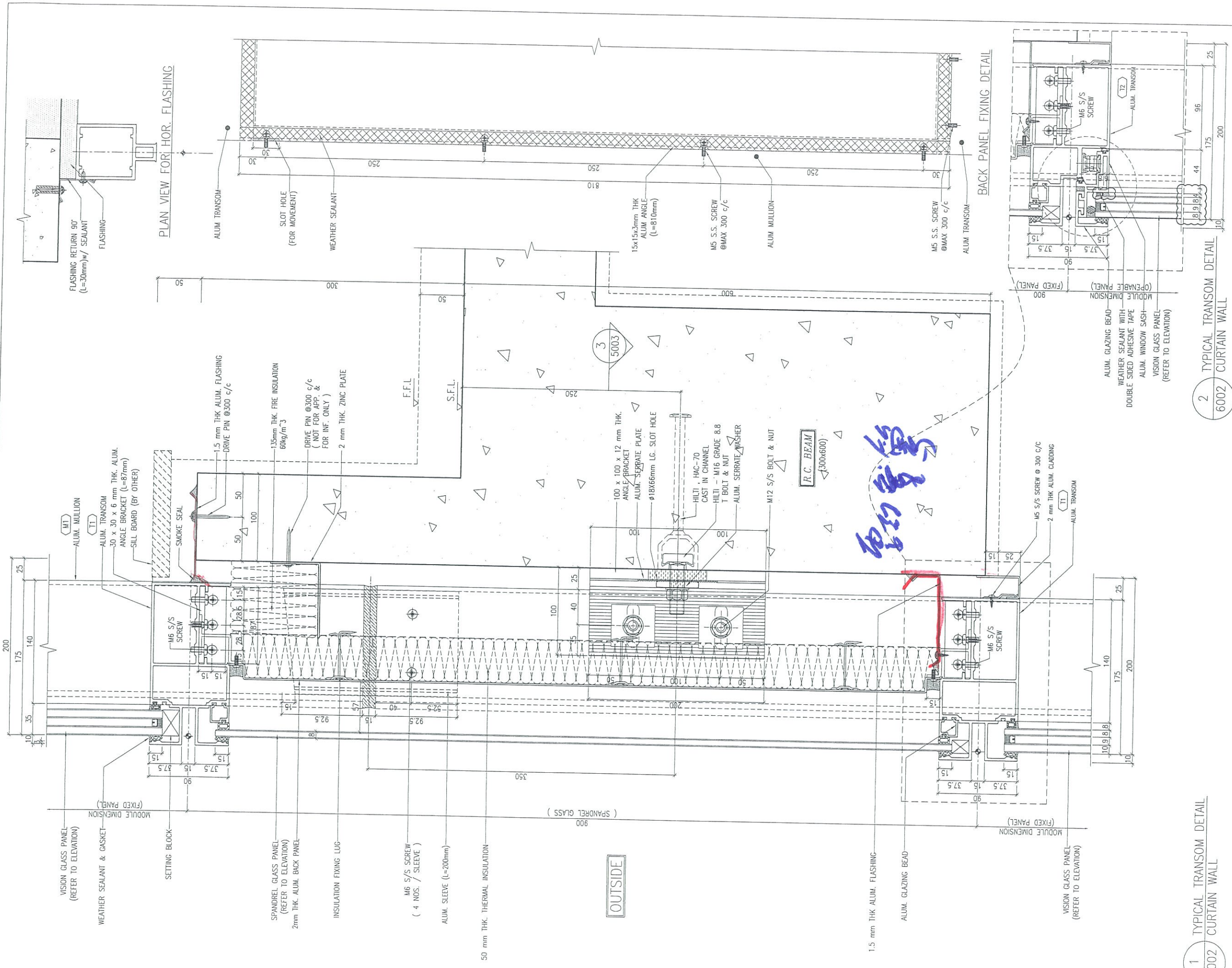
DATE : 22-DEC-18 SCALE : 1:2 (A1)

DRAWN BY : ASING CHECKED BY : -

美特鋁質有限公司  
MIDI ALUMINIUM FABRICATOR LTD.  
Units 6-8, Sunray Industrial Centre, 1/F  
610 Cha Kwo Ling Road, Kowloon  
Tel: 23489211-4 Fax: (852) 2727666

DWG NO. : 1837\_CW\_5014





1 TYPICAL TRANSOM DETAIL  
6002 CURTAIN WALL

2 TYPICAL TRANSOM DETAIL  
6002 CURTAIN WALL

B.D. REF :

CLIENT :  
信和置業有限公司  
Sino Land Company Limited

ARCHITECT :  
WONG TUNG & PARTNERS LIMITED  
ARCHITECTS & PLANNERS

MAIN CONTRACTOR :  
CR Construction Company Limited

STRUCTURAL ENGINEER :  
AECOM

FACADE CONSULTANT:  
AECOM

NOTE :  
1. ALL DIMENSIONS ARE IN mm.  
2. ALL ELEVATIONS ARE VIEWED FROM OUTSIDE.  
3. ALL DIMENSIONS TO BE VERIFIED ON SITE BEFORE FABRICATION.

LEGEND :  
X1 -- DETAIL MARK NO.  
X001 -- REFER SHEET NO.

1. F.F.L. -- FINISHED FLOOR LEVEL  
2. S.F.L. -- STRUCTURAL FLOOR LEVEL  
3. (R) -- REVERSED DETAIL

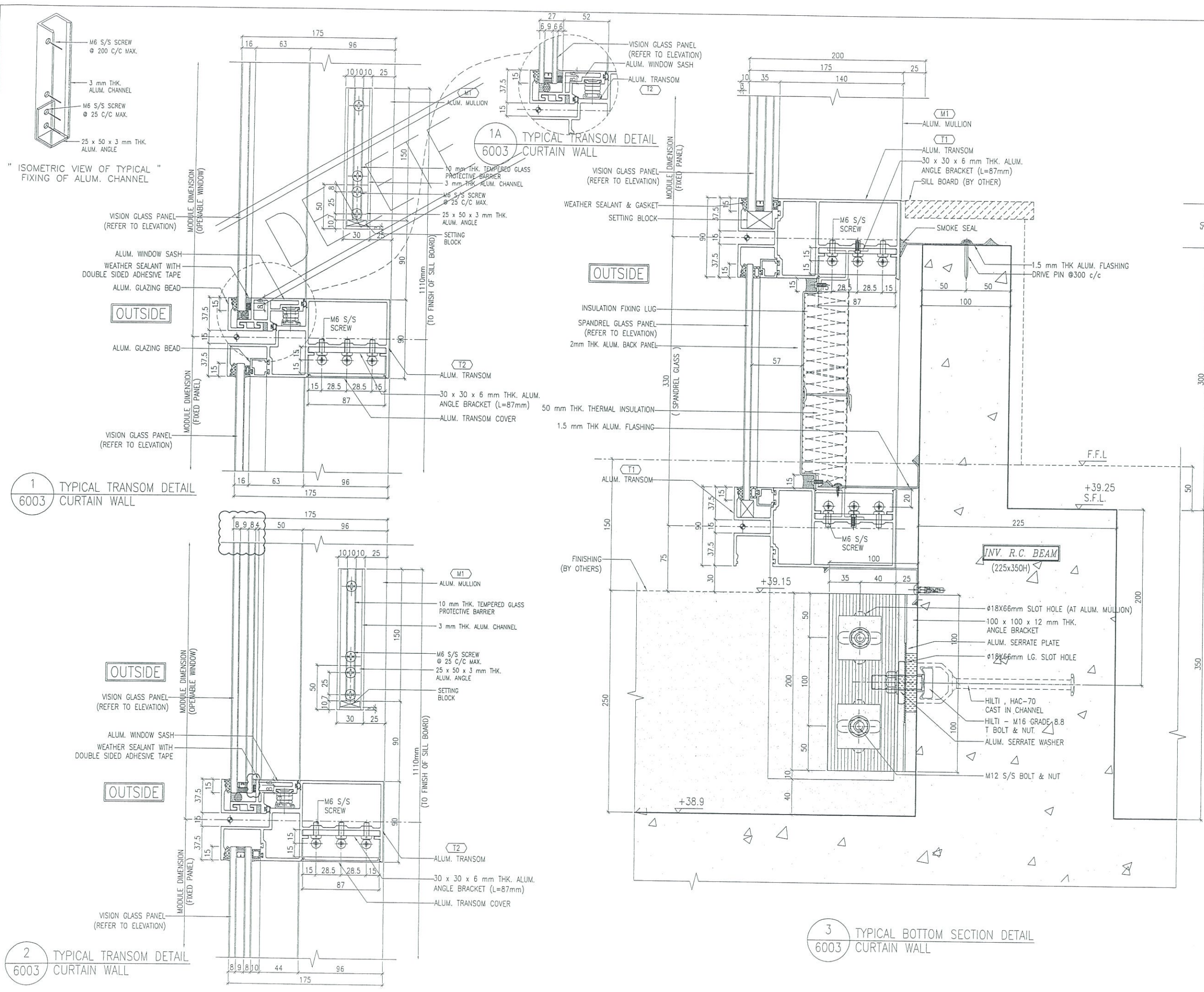
NO.	DATE	REVISION	BY
D	22/12/2018	GENERAL REVISED	
C	04/12/2018	GENERAL REVISED	
B	24/11/2018	GENERAL REVISED	
A	10/9/2018	GENERAL REVISED	

JOB NO. : J-837  
PROJECT :  
URA KWUN TONG TOWN CENTRE  
REDEVELOPMENT (AREA 2 & 3) AT  
NKIL 6514, KWUN TONG, KWLOON

TITLE :  
TYPICAL TRANSOM DETAIL  
FOR CURTAIN WALL

DATE : 13-JUL-18 SCALE : 1:2 (A1)  
DRAWN BY : ASING CHECKED BY : -

英特鋁質有限公司  
MIDI ALUMINIUM FABRICATOR LTD.  
Units 6-8, Sunray Industrial Centre, 1/F  
610 Cha Kwo Ling Road, Kowloon  
Tel:23489211-4 Fax:(852)27727666



" ISOMETRIC VIEW OF TYPICAL " FIXING OF ALUM. CHANNEL

1 TYPICAL TRANSOM DETAIL 6003 CURTAIN WALL

2 TYPICAL TRANSOM DETAIL 6003 CURTAIN WALL

1A TYPICAL TRANSOM DETAIL 6003 CURTAIN WALL

3 TYPICAL BOTTOM SECTION DETAIL 6003 CURTAIN WALL

B.D. REF :

CLIENT :  
 信和置業有限公司  
 Sino Land Company Limited

ARCHITECT :  
 WONG TUNG & PARTNERS LIMITED  
 ARCHITECTS & PLANNERS

MAIN CONTRACTOR :  
 CR Construction Company Limited

STRUCTURAL ENGINEER :  
 AECOM

FAÇADE CONSULTANT:  
 AECOM

NOTE :  
 1. ALL DIMENSIONS ARE IN mm.  
 2. ALL ELEVATIONS ARE VIEWED FROM OUTSIDE.  
 3. ALL DIMENSIONS TO BE VERIFIED ON SITE BEFORE FABRICATION.

LEGEND :  
 (X1) --- DETAIL MARK NO.  
 (X001) --- REFER SHEET NO.

1. F.F.L. --- FINISHED FLOOR LEVEL  
 2. S.F.L. --- STRUCTURAL FLOOR LEVEL  
 3. (R) --- REVERSED DETAIL

NO.	DATE	REVISED	BY
C	22/12/2018	GENERAL REVISED	
B	24/11/2018	GENERAL REVISED	
A	10/9/2018	GENERAL REVISED	

JOB NO. : J-837  
 PROJECT :  
 URA KWUN TONG TOWN CENTRE  
 REDEVELOPMENT (AREA 2 & 3) AT  
 NKIL 6514, KWUN TONG, KWLOON

TITLE :  
 TYPICAL TRANSOM DETAIL  
 FOR CURTAIN WALL

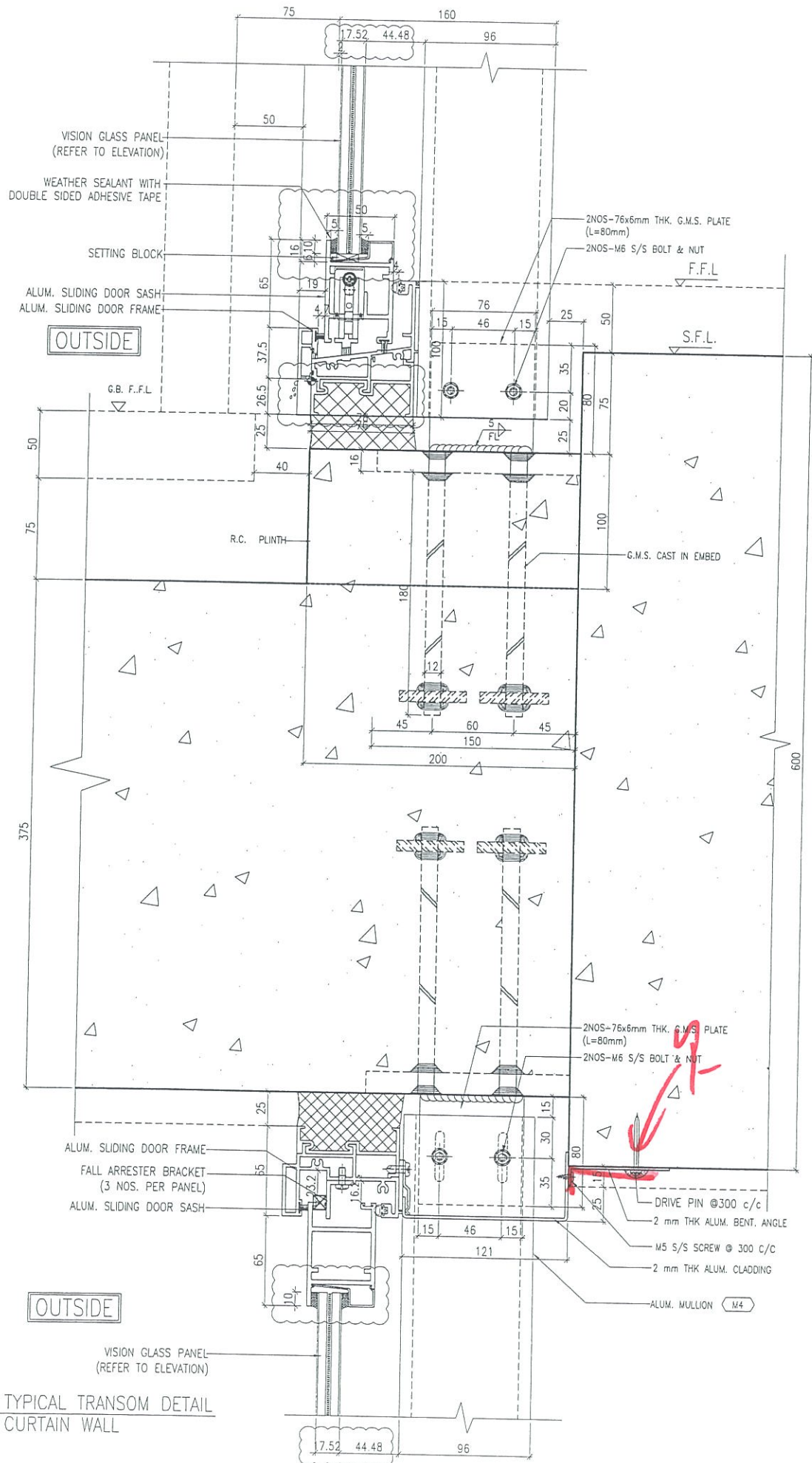
DATE : 13-JUL-18 SCALE : 1:2 (A1)  
 DRAWN BY : Asing CHECKED BY : -

英特鋁質有限公司  
 MIDI ALUMINIUM FABRICATOR LTD.  
 Units 6-8, Sunray Industrial Centre, 1/F  
 610 Cha Kwo Ling Road, Kowloon  
 Tel: 23489211-4 Fax: (852) 2727666

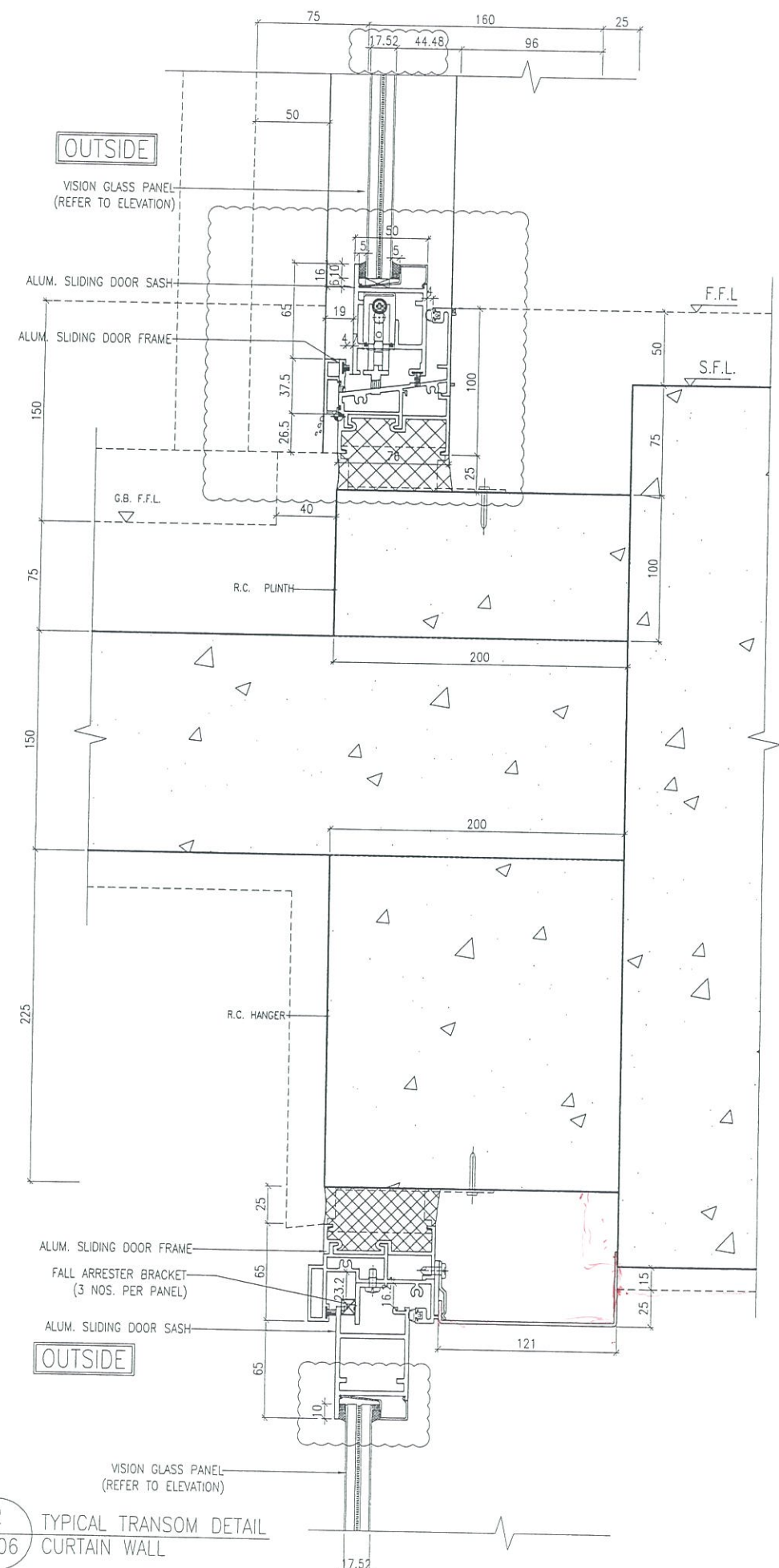
DWG NO. : JB37-CW-6003 REV. : C







1 TYPICAL TRANSOM DETAIL CURTAIN WALL  
6006



2 TYPICAL TRANSOM DETAIL CURTAIN WALL  
6006

B.D. REF :

CLIENT :  
信和置業有限公司  
Sino Land Company Limited

ARCHITECT :  
WONG TUNG & PARTNERS LIMITED  
ARCHITECTS & PLANNERS

MAIN CONTRACTOR :  
CR Construction Company Limited

STRUCTURAL ENGINEER :  
AECOM

FACADE CONSULTANT:  
AECOM

NOTE :  
1. ALL DIMENSIONS ARE IN mm.  
2. ALL ELEVATIONS ARE VIEWED FROM OUTSIDE.  
3. ALL DIMENSIONS TO BE VERIFIED ON SITE BEFORE FABRICATION.

LEGEND :  
X1 --- DETAIL MARK NO.  
X001 --- REFER SHEET NO.

1. F.F.L. --- FINISHED FLOOR LEVEL  
2. S.F.L. --- STRUCTURAL FLOOR LEVEL  
3. (R) --- REVERSED DETAIL

C	04/12/2018	GENERAL REVISED	
B	24/11/2018	GENERAL REVISED	
A	10/9/2018	GENERAL REVISED	
NO.	DATE	REVISED	BY

JOB NO. : J-837  
PROJECT :  
URA KWUN TONG TOWN CENTRE  
REDEVELOPMENT (AREA 2 & 3) AT  
NKIL 6514, KWUN TONG, KWLOON

TITLE :  
TYPICAL TRANSOM DETAIL  
FOR CURTAIN WALL

DATE : 13-JUL-18 SCALE : 1:2 (A1)  
DRAWN BY : ASING CHECKED BY : -

MIDI ALUMINIUM FABRICATOR LTD.  
Units 6-8, Sunray Industrial Centre, 1/F  
610 Cha Kwo Ling Road, Kowloon  
Tel: 23489211-4 Fax: (852) 27727666