

工程指示 / 要求簡箋(E.I.)

工程指示編號：EI/ 9965 /18 修改版次：
 工程編號：J836 工程名稱：日出康城 7 期 (平台)
 工程項目：WW1 鐵件生產
 收件人：Maggie Lor 發件人：Joe Chan 日期：23/11/2018

要求提供 / 確認 事項：

- 初步鋁料 B.M. 加工拆圖，然後生產 尺寸表
- 正式鋁料 B.M. 技術上資料 / 指示 報價
- 配件 B.M. 樣辦或貨品說明書 分判合約
- 其他：_____

內容：請依件資料，生產鐵件，完成生產後
 依地盤指示送地盤。

驗焊 = Fillet Weld (20% 磁粉, 100% 目測)

Butt Weld (100% 照超聲波, 磁粉 + 目測)

請在 15/1/2019 前完成上列要求。

附有關圖紙 / 文件：

BM表 6頁, 構件清單 3頁, 圖紙 123頁

以上項目為:

- 原合約工程包 原合約工程加 / 減賬 新工程報價

原因：-

分發東莞各部門：

- 生產技術總監 連附件 技術部 連附件 生產部 連附件 機械設計部 連附件
- 採購部 連附件 生產統籌部 連附件
- 質檢部 連附件 會計部 連附件 報關組 連附件 其他 _____ 連附件

分發香港各部門：

- 行政部 連附件 會計部 連附件 統籌部 連附件 工程部地盤科文 連附件 積哥
- 採購部 連附件 QS 部 連附件 維修部 連附件 其他 _____ 連附件

傳遞編號：

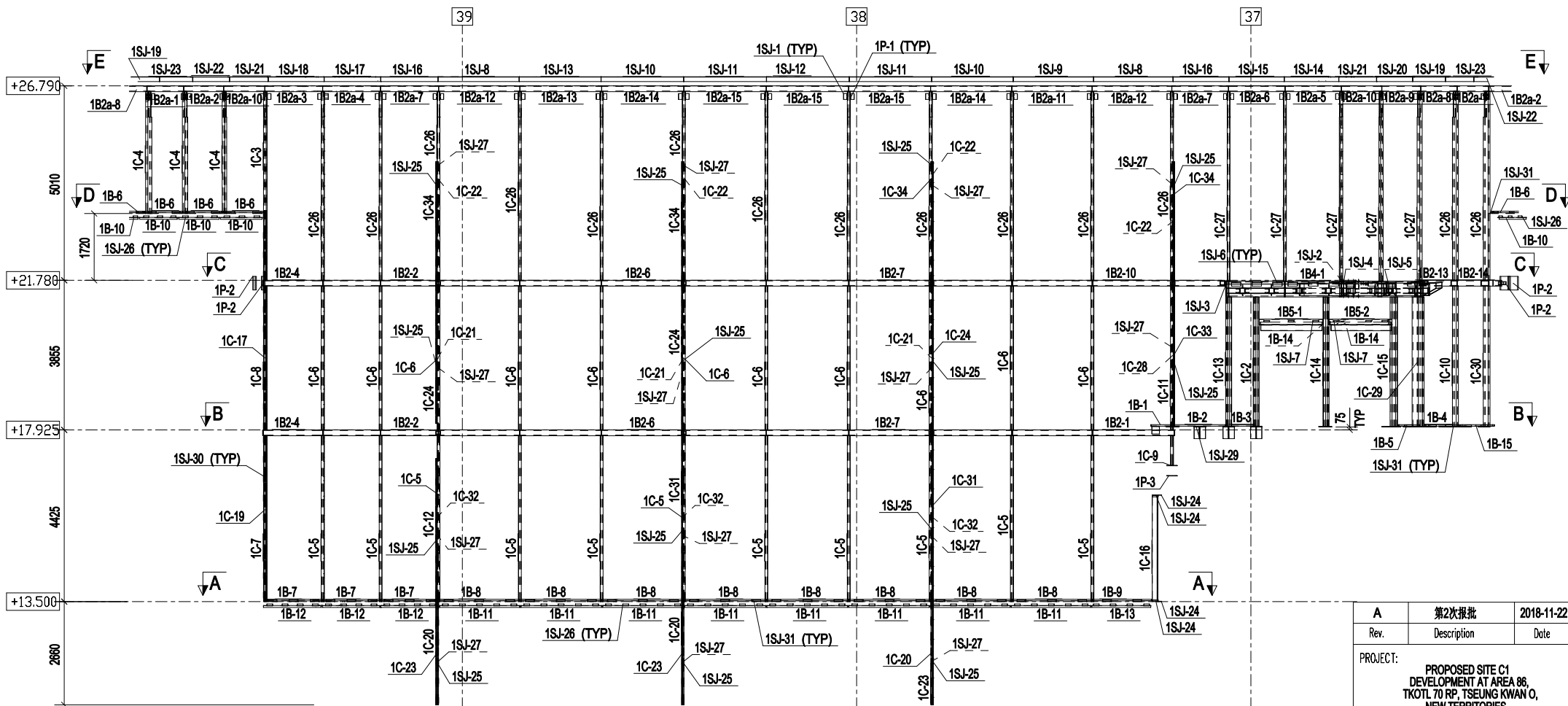
發件人簽署：

項目經理簽署：

Assembly Mark	No.	NAME	Profile	Area(m ²) for all	Weight(kg) for all
1B-1	1	BEAM	RSC75*40*6.92	0.16	3.60
1B-2	1	BEAM	RSC75*40*6.92	0.42	9.60
1B-3	1	BEAM	RSC75*40*6.92	0.18	4.00
1B-4	1	BEAM	RSC75*40*6.92	0.31	6.90
1B-5	1	BEAM	RSC75*40*6.92	0.18	4.00
1B-6	8	BEAM	RSC75*40*6.92	2.59	58.20
1B-7	9	BEAM	RSC75*40*6.92	4.03	90.80
1B-8	17	BEAM	RSC75*40*6.92	10.69	241.30
1B-9	1	BEAM	RSC75*40*6.92	0.47	10.70
1B-10	8	BEAM	RSA50*50*5	1.69	33.70
1B-11	17	BEAM	RSA50*50*5	6.83	136.20
1B-12	9	BEAM	RSA50*50*5	2.60	51.90
1B-13	1	BEAM	RSA50*50*5	0.30	6.00
1B-14	1	BEAM	RHS150*50*6.3	1.54	65.20
1B-14	1	BEAM	RHS150*50*6.3	1.54	65.20
1B-15	1	BEAM	RSC75*40*6.92	0.32	7.30
1B2-1	1	BEAM	RHS250*150*16.	3.43	396.50
1B2-2	1	BEAM	RHS250*150*16.	3.89	462.80
1B2-2	1	BEAM	RHS250*150*16.	3.89	462.80
1B2-4	2	BEAM	RHS250*150*16.	2.37	281.40
1B2-6	1	BEAM	RHS250*150*16.	4.81	572.40
1B2-6	1	BEAM	RHS250*150*16.	4.81	572.40
1B2-7	2	BEAM	RHS250*150*16.	9.63	1145.20
1B2-8	2	BEAM	RHS120*80*10.0	0.09	6.30
1B2-9	2	BEAM	RHS120*80*10.0	0.13	9.70
1B2-9	2	BEAM	RHS120*80*10.0	0.13	9.80
1B2-10	1	BEAM	RHS250*150*16.	4.27	508.10
1B2-11	1	BEAM	RHS120*80*10.0	0.04	3.20
1B2-13	1	BEAM	RHS250*150*16.	0.76	90.70
1B2-14	1	BEAM	RHS250*150*16.	1.29	150.60
1B2a-1	1	BEAM	RHS250*120*16	0.81	48.00
1B2a-1	1	BEAM	RHS250*120*16	0.81	48.00
1B2a-2	1	BEAM	RHS250*120*16	0.81	48.20
1B2a-2	1	BEAM	RHS250*120*16	0.81	48.20
1B2a-3	1	BEAM	RHS250*120*16	1.13	67.10
1B2a-3	1	BEAM	RHS250*120*16	1.13	67.10
1B2a-4	1	BEAM	RHS250*120*16	1.13	67.40
1B2a-4	1	BEAM	RHS250*120*16	1.13	67.40
1B2a-5	1	BEAM	RHS250*120*16	1.13	67.10
1B2a-5	1	BEAM	RHS250*120*16	1.13	67.10
1B2a-6	1	BEAM	RHS250*120*16	1.13	67.40
1B2a-6	1	BEAM	RHS250*120*16	1.13	67.40
1B2a-7	2	BEAM	RHS250*120*16	2.27	135.10
1B2a-7	2	BEAM	RHS250*120*16	2.27	135.10
1B2a-8	1	BEAM	RHS250*120*16	0.81	48.00
1B2a-8	1	BEAM	RHS250*120*16	0.81	48.00
1B2a-9	1	BEAM	RHS250*120*16	0.81	48.20
1B2a-9	1	BEAM	RHS250*120*16	0.81	48.20
1B2a-10	2	BEAM	RHS250*120*16	1.63	96.80
1B2a-10	2	BEAM	RHS250*120*16	1.63	96.80
1B2a-11	1	BEAM	RHS250*120*16	1.59	94.70
1B2a-11	1	BEAM	RHS250*120*16	1.59	94.70
1B2a-12	2	BEAM	RHS250*120*16	3.17	189.20
1B2a-12	2	BEAM	RHS250*120*16	3.17	189.20
1B2a-13	1	BEAM	RHS250*120*16	1.59	94.70
1B2a-13	1	BEAM	RHS250*120*16	1.59	94.70
1B2a-14	2	BEAM	RHS250*120*16	3.18	189.50
1B2a-14	2	BEAM	RHS250*120*16	3.18	189.50
1B2a-15	2	BEAM	RHS250*120*16	3.18	189.60
1B2a-15	2	BEAM	RHS250*120*16	3.18	189.60

1B2a-15	2	BEAM	RHS250*120*16	3.18	189.70
1B4-1	1	BEAM	RHS350*410*25	8.78	1506.70
1B5-1	1	BEAM	RHS250*150*10.	1.32	100.60
1B5-2	1	BEAM	RHS250*150*10.	1.31	99.30
1C-1	4	COLUMN	PT70*120*15	4.62	473.30
1C-2	1	COLUMN	SHS150*150*16.	3.64	312.20
1C-3	1	COLUMN	PT70*150*15	2.09	222.90
1C-4	18	COLUMN	PT70*150*15	24.51	2626.20
1C-5	11	COLUMN	PT70*150*15	19.92	2104.10
1C-6	11	COLUMN	PT70*150*15	17.28	1823.60
1C-7	1	COLUMN	PT70*150*15	1.81	191.30
1C-8	1	COLUMN	PT70*150*15	1.57	165.80
1C-9	1	COLUMN	PT70*150*15	0.57	44.70
1C-10	1	COLUMN	PT70*150*15	1.92	184.30
1C-11	1	COLUMN	PT70*150*15	1.93	189.80
1C-12	1	BEAM	RSA25*25*3	0.36	4.00
1C-13	1	COLUMN	RHS350*150*16.	5.02	480.60
1C-14	1	COLUMN	SHS150*150*16.	3.34	288.80
1C-15	1	COLUMN	SHS150*150*16.	3.34	288.80
1C-16	1	BEAM	RSA150*150*15	1.60	91.90
1C-17	1	COLUMN	RSC75*40*6.92	1.10	25.00
1C-18	1	COLUMN	RSC75*40*6.92	0.54	12.10
1C-19	1	COLUMN	RSC75*40*6.92	1.26	28.40
1C-20	3	BEAM	RSA25*25*3	0.82	9.10
1C-21	3	BEAM	RSA25*25*3	1.13	12.50
1C-22	4	BEAM	RSA25*25*3	1.23	13.70
1C-23	3	BEAM	RSA25*25*3	0.82	9.10
1C-24	3	BEAM	RSA25*25*3	1.08	12.00
1C-25	4	BEAM	RSA25*25*3	0.51	5.60
1C-26	14	COLUMN	PT70*150*15	29.23	3120.00
1C-27	5	COLUMN	PT70*150*15	10.48	1118.80
1C-28	1	BEAM	RSA25*25*3	0.36	4.00
1C-29	1	COLUMN	RHS350*150*16.	4.64	452.30
1C-30	1	COLUMN	PT70*150*15	1.54	162.40
1C-31	2	BEAM	RSA25*25*3	0.90	9.90
1C-32	3	BEAM	RSA25*25*3	1.26	14.00
1C-33	1	BEAM	RSA25*25*3	0.37	4.10
1C-34	4	BEAM	RSA25*25*3	1.25	13.80
1GJ-1	1	BEAM	SHS150*150*16.	19.81	1116.60
1P-1	168	PLATE	PLT4*40	0.65	8.40
1P-2	4	BEAM	PL25*350	1.27	109.90
1P-3	1	BEAM	PL12*250	0.24	10.60
1SJ-1	84	BEAM	RSA100*100*8	4.91	154.00
1SJ-2	1	BEAM	RSA50*50*5	0.30	6.00
1SJ-3	1	BEAM	RSA50*50*5	0.31	6.10
1SJ-4	1	BEAM	RSA50*50*5	0.22	4.40
1SJ-5	1	BEAM	RSA50*50*5	0.23	4.60
1SJ-6	10	BEAM	RSA110*100*10	1.09	39.20
1SJ-7	6	BEAM	PL10*150	0.29	10.60
1SJ-8	2	BEAM	RSA125*125*10	2.07	77.50
1SJ-8	2	BEAM	RSA125*125*10	2.07	77.50
1SJ-9	1	BEAM	RSA125*125*10	1.04	38.90
1SJ-9	1	BEAM	RSA125*125*10	1.04	38.90
1SJ-10	2	BEAM	RSA125*125*10	2.08	78.10
1SJ-10	2	BEAM	RSA125*125*10	2.08	78.10
1SJ-11	2	BEAM	RSA125*125*10	2.09	78.20
1SJ-11	2	BEAM	RSA125*125*10	2.09	78.20
1SJ-12	2	BEAM	RSA125*125*10	2.09	78.20
1SJ-13	1	BEAM	RSA125*125*10	1.04	38.90
1SJ-13	1	BEAM	RSA125*125*10	1.04	38.90
1SJ-14	1	BEAM	RSA125*125*10	0.72	26.80

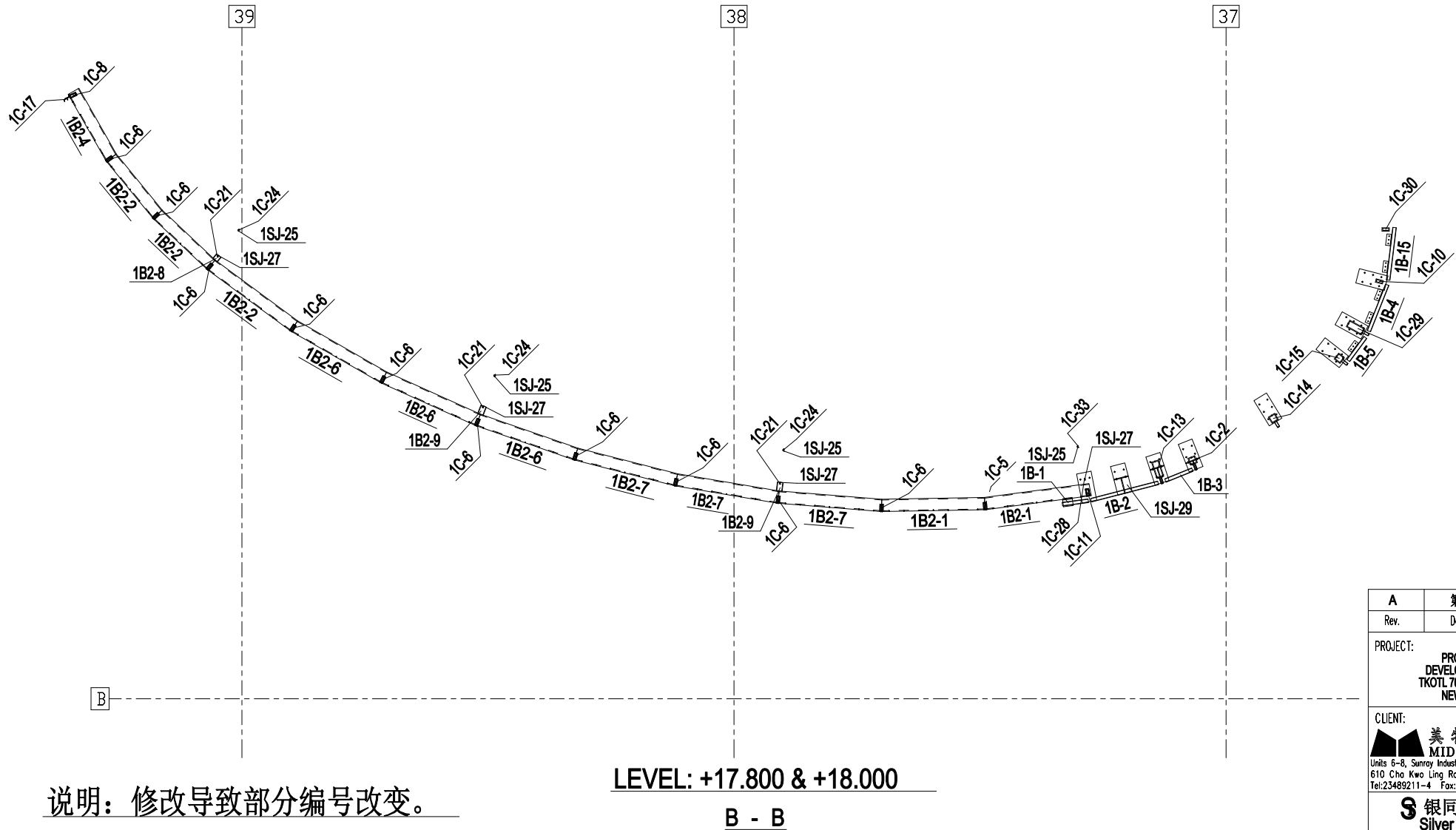
1SJ-14	1	BEAM	RSA125*125*10	0.72	26.80
1SJ-15	1	BEAM	RSA125*125*10	0.73	27.10
1SJ-15	1	BEAM	RSA125*125*10	0.73	27.10
1SJ-16	2	BEAM	RSA125*125*10	1.46	54.80
1SJ-16	2	BEAM	RSA125*125*10	1.46	54.80
1SJ-17	1	BEAM	RSA125*125*10	0.73	27.10
1SJ-17	1	BEAM	RSA125*125*10	0.73	27.10
1SJ-18	1	BEAM	RSA125*125*10	0.72	26.80
1SJ-18	1	BEAM	RSA125*125*10	0.72	26.80
1SJ-19	1	BEAM	RSA125*125*10	0.49	18.30
1SJ-19	1	BEAM	RSA125*125*10	0.49	18.30
1SJ-20	1	BEAM	RSA125*125*10	0.50	18.60
1SJ-20	1	BEAM	RSA125*125*10	0.50	18.60
1SJ-21	2	BEAM	RSA125*125*10	1.01	37.70
1SJ-21	2	BEAM	RSA125*125*10	1.01	37.70
1SJ-22	1	BEAM	RSA125*125*10	0.50	18.60
1SJ-22	1	BEAM	RSA125*125*10	0.50	18.60
1SJ-23	1	BEAM	RSA125*125*10	0.49	18.30
1SJ-23	1	BEAM	RSA125*125*10	0.49	18.30
1SJ-24	4	BEAM	RSA100*50*10	0.19	6.60
1SJ-25	116	BEAM	RSA25*25*3	1.74	19.30
1SJ-26	149	BEAM	RSA50*50*5	4.25	84.70
1SJ-27	105	BEAM	RSA25*25*3	1.57	17.40
1SJ-29	1	BEAM	PL20*300	0.78	51.40
1SJ-30	21	BEAM	PL10*139.8	0.94	34.60
1SJ-31	101	BEAM	RSA100*50*8	7.20	207.20
Total for	1070	assemblies:		368.09	27925.15



ELEVATION 1 OF WINDOW WALL 1

说明：修改导致部分编号改变。

A	第2次报批	2018-11-22
Rev.	Description	Date
PROJECT: PROPOSED SITE C1 DEVELOPMENT AT AREA 86, TKOTL 70 RP, TSEUNG KWAN O, NEW TERRITORIES		
CLIENT:  美特铝质有限公司 MIDI ALUMINIUM FABRICATOR LTD. Units 6-8, Sunray Industrial Centre, 1/F 610 Cho Kwo Ling Road, Kowloon Tel:23489211-4 Fax:(852)27727666		
 银同有限公司 Silver Town Limited Tel:0769-83354968 Fax:0769-83358954 E-MAIL ADDRESS:dgstkt@vip.163.COM		
DRAWING TITLE : MARKING PLAN		
CAD File Name :		
Designed by		
Drawn by		
Reviewed by		
Approved by		
Scale		
DWG NO: WW1 - MP01	REV.	A

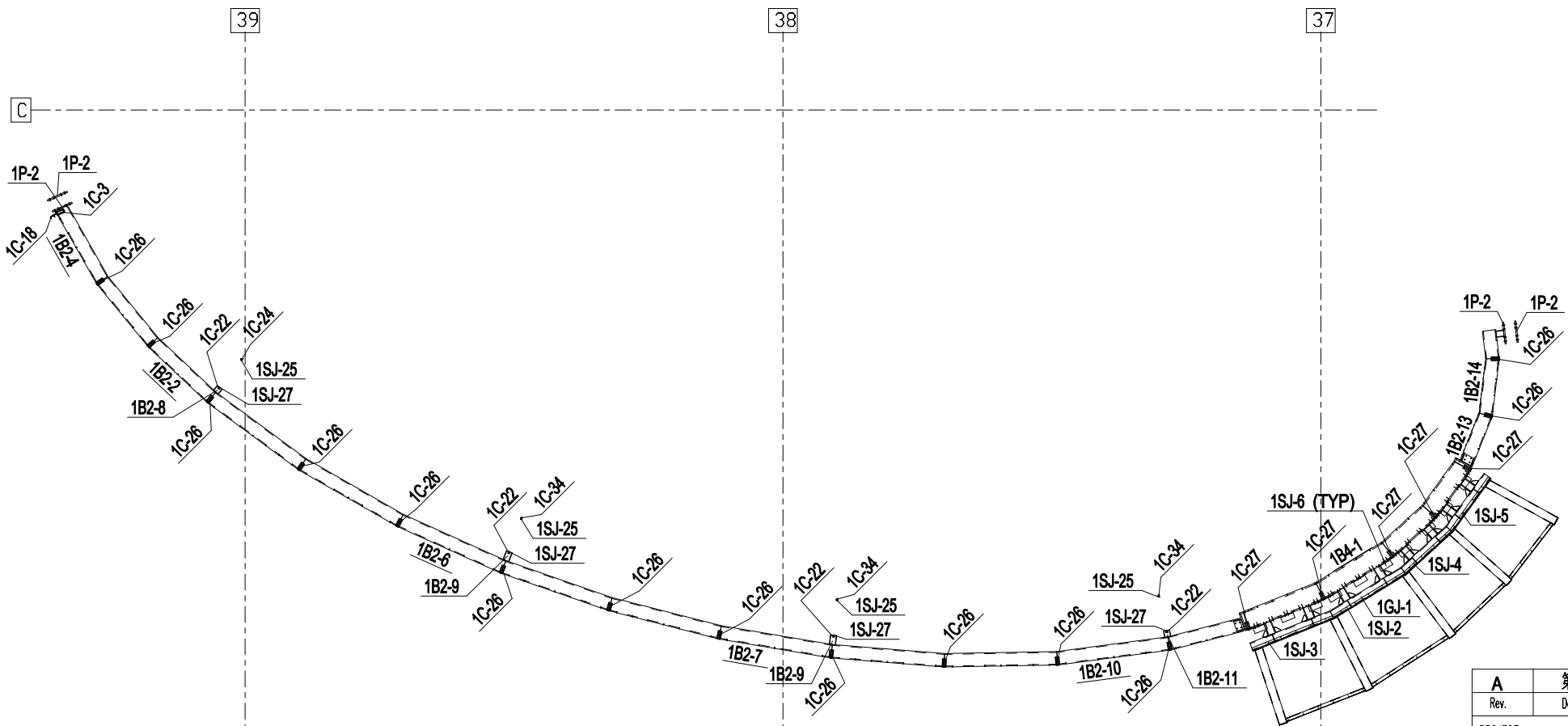


说明：修改导致部分编号改变。

LEVEL: +17.800 & +18.000

B - B

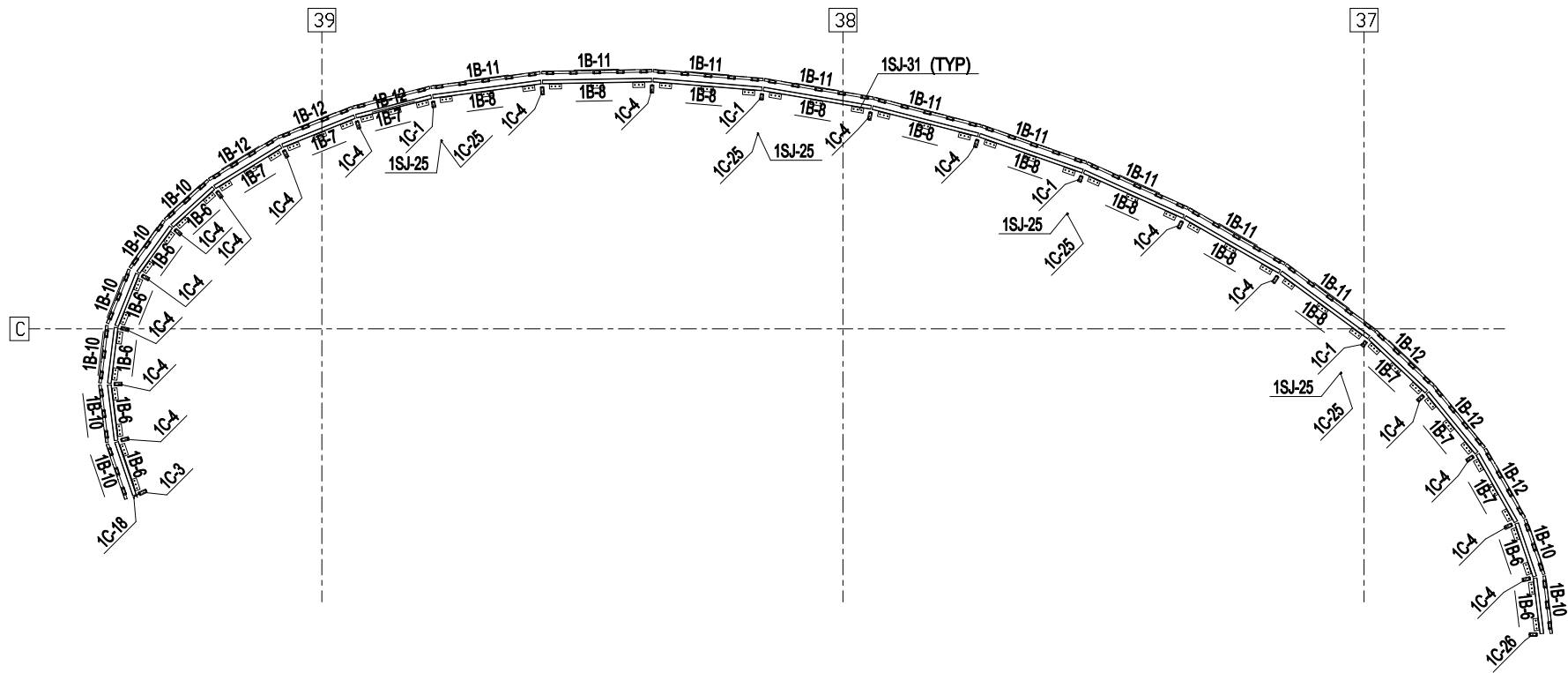
A	第2次报批	2018-11-22
Rev.	Description	Date
PROJECT: PROPOSED SITE C1 DEVELOPMENT AT AREA 86, TKOTL 70 RP, TSEUNG KWAN O, NEW TERRITORIES		
CLIENT:  美特鋁質有限公司 MIDI ALUMINIUM FABRICATOR LTD. Units 6-8, Sunray Industrial Centre, 1/F 610 Cho Kwo Ling Road, Kowloon Tel:23489211-4 Fax:(852)27727666		
 银同有限公司 Silver Town Limited Tel:0769-83354968 Fax:0769-83358954 E-MAIL ADDRESS:dgstkt@vip.163.COM		
DRAWING TITLE : MARKING PLAN		
CAD File Name :		
Designed by		
Drawn by		
Reviewed by		
Approved by		
Scale		
DWG NO: WW1 - MP04	REV.	A



说明：修改导致部分编号改变。

LEVEL: +21.780
C - C

A	第2次报批	2018-11-22
Rev.	Description	Date
PROJECT: PROPOSED SITE C1 DEVELOPMENT AT AREA 86, TKOTL 70 RP, TSEUNG KWAN O, NEW TERRITORIES		
CLIENT:  美特鋁質有限公司 MIDI ALUMINIUM FABRICATOR LTD. Units 6-8, Sunray Industrial Centre, 1/F 610 Cho-Kwo-Ling Road, Kowloon Tel: 23489211-4 Fax: (852) 27727666		
 银同有限公司 Silver Town Limited Tel: 0769-83354968 Fax: 0769-83358954 E-MAIL: ADDRESS: dgstkl@vip.163.COM		
DRAWING TITLE : MARKING PLAN		
CAD File Name :		
Designed by		
Drawn by		
Reviewed by		
Approved by		
Scale		
DWG NO: WW1 - MP05	REV.	A

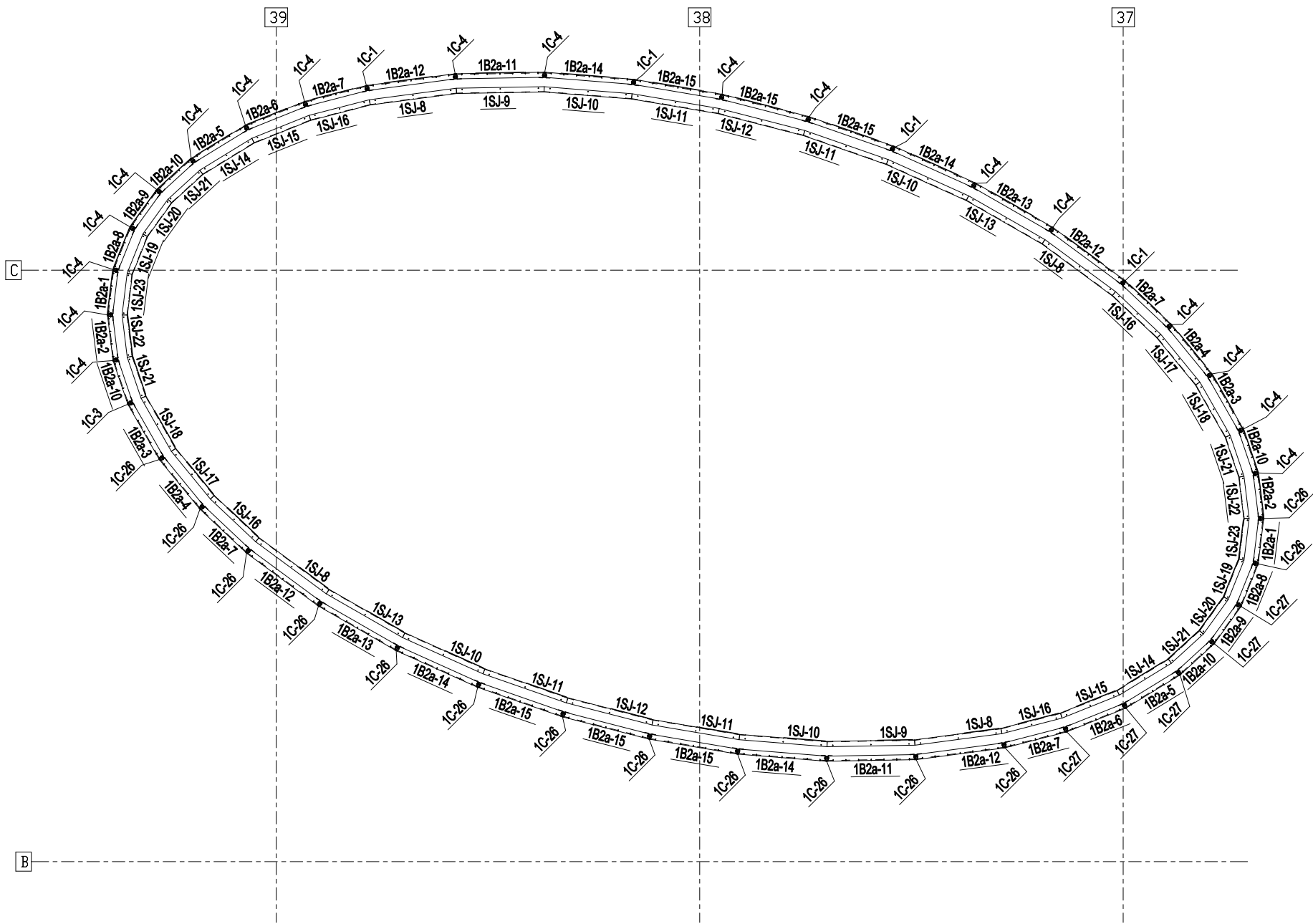


LEVEL: +23.500

D - D

说明：修改导致部分编号改变。

A	第2次报批	2018-11-22
Rev.	Description	Date
PROJECT: PROPOSED SITE C1 DEVELOPMENT AT AREA 86, TKOTL 70 RP, TSEUNG KWAN O, NEW TERRITORIES		
CLIENT:  美特铝质有限公司 MIDI ALUMINIUM FABRICATOR LTD. Units 6-8, Sunray Industrial Centre, 1/F 610 Cho Kwo Ling Road, Kowloon Tel:23489211-4 Fax:(852)27727666		
 银同有限公司 Silver Town Limited Tel:0769-83354968 Fax:0769-83358954 E-MAIL ADDRESS:dgstkt@vip.163.COM		
DRAWING TITLE : MARKING PLAN		
CAD File Name :		
Designed by		
Drawn by		
Reviewed by		
Approved by		
Scale		
DWG NO: WW1 - MP06	REV.	A

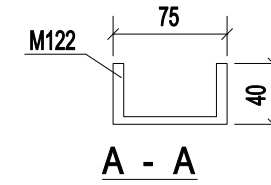
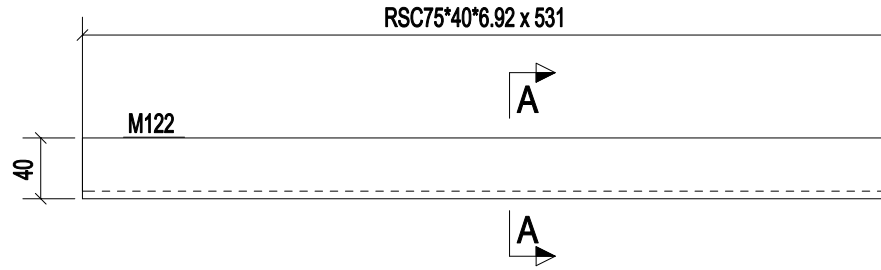


说明：修改导致部分编号改变。

LEVEL: +26.790
E - E

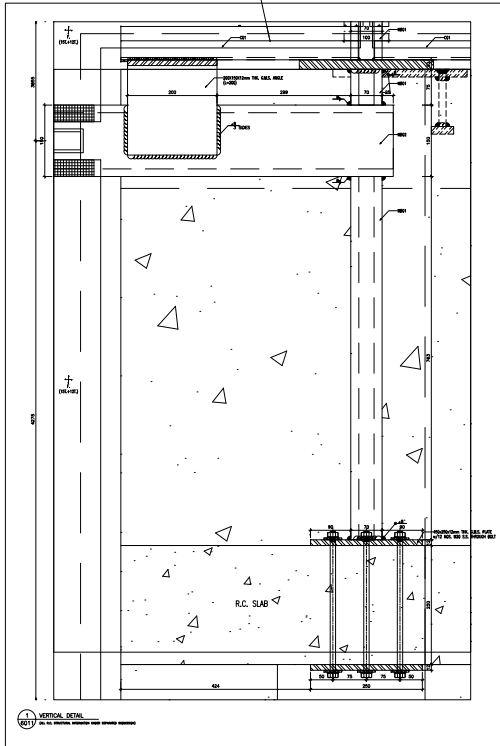
A	第2次报批	2018-11-22
Rev.	Description	Date
PROJECT: PROPOSED SITE C1 DEVELOPMENT AT AREA 86, TKOTL 70 RP, TSEUNG KWAN O, NEW TERRITORIES		
CLIENT:  美特铝质有限公司 MIDI ALUMINIUM FABRICATOR LTD. Units 6-8, Sunray Industrial Centre, 1/F 610 Cho Kwo Ling Road, Kowloon Tel:23489211-4 Fax:(852)2727666		
 银同有限公司 Silver Town Limited Tel:0769-83354968 Fax:0769-83358954 E-MAIL ADDRESS:dgstkt@vip.163.COM		
DRAWING TITLE : MARKING PLAN		
CAD File Name :		
Designed by		
Drawn by		
Reviewed by		
Approved by		
Scale		
DWG NO: WW1 - MP07	REV.	A



构件编号:	1B-1	构件数量:	1	构件重量:	3.61	
部件编号	规格(mm)	长度(mm)	数量	单重(kg)	共重(kg)	表面积(m ²)
M122	RSC75*40*6.92	531	1	3.61	3.61	0.16
合计:					3.61	



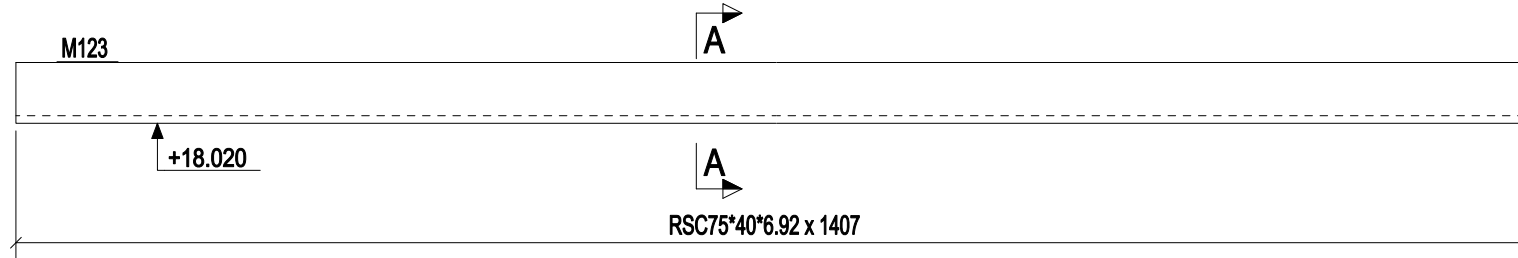
构件: 1B-1

本品

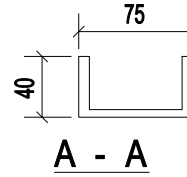


0	第1次报批	2018-11-15
Rev.	Description	Date
PROJECT: PROPOSED SITE C1 DEVELOPMENT AT AREA 86, TKOTL 70 RP, TSEUNG KWAN O, NEW TERRITORIES		
CLIENT:  美特鋁質有限公司 MIDI ALUMINIUM FABRICATOR LTD. Units 6-8, Sunray Industrial Centre, 1/F 510 Cha Kwo Ling Road, Kowloon Tel:23489211-4 Fax:(852)27727666		
 银同有限公司 Silver Town Limited Tel:0769-83354968 Fax:0769-83359954 E-MAIL ADDRESS:sgsttd@vip.163.COM		
DRAWING TITLE : [1B-.1]		
CAD File Name :		
Designed by		
Drawn by		
Reviewed by		
Approved by		
Scale		
DWG NO: WW1	- [1B-.1]	REV. 0

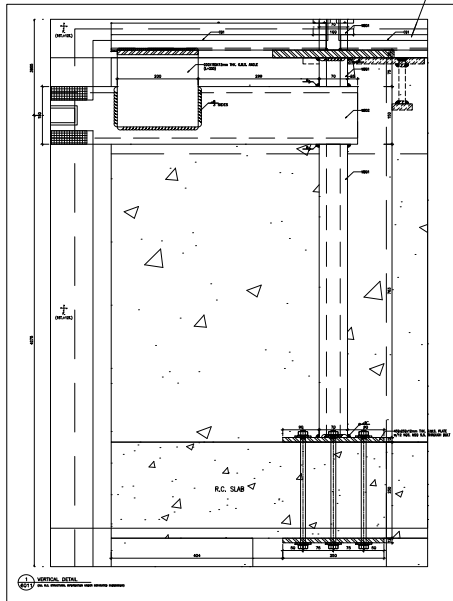
构件编号:	1B-2	构件数量:	1	构件重量:	9.56	
部件编号	规格(mm)	长度(mm)	数量	单重(kg)	共重(kg)	表面积(m ²)
M123	RSC75*40*6.92	1407	1	9.56	9.56	0.42
合计:					9.56	





构件: 1B-2

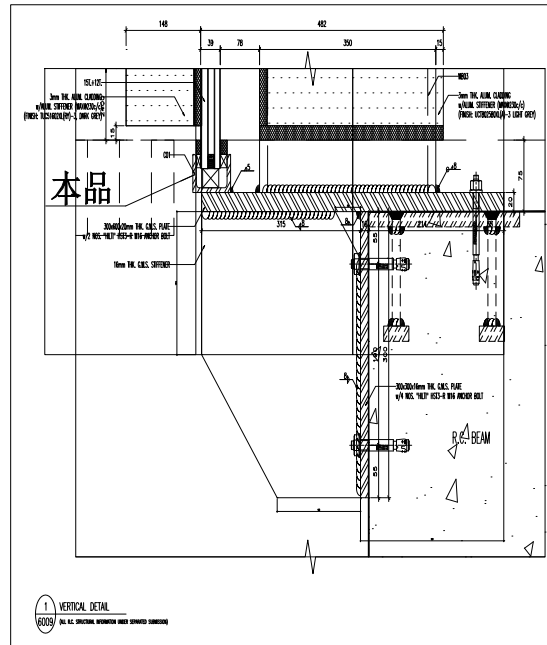
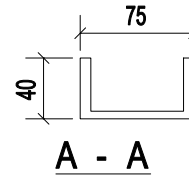
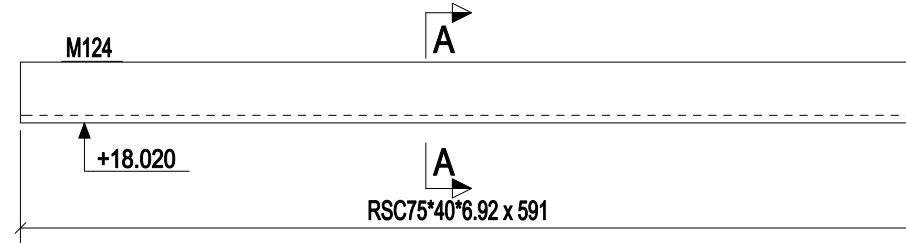




本品



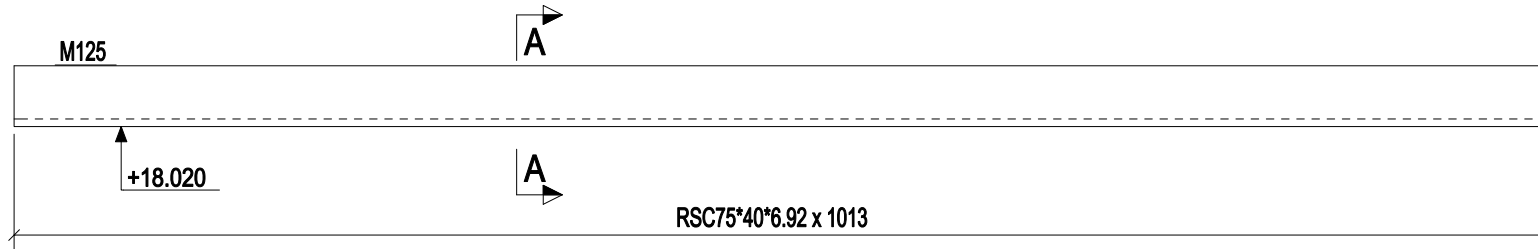
0	第1次报批	2018-11-15
Rev.	Description	Date
PROJECT: PROPOSED SITE C1 DEVELOPMENT AT AREA 86, TKOTL 70 RP, TSEUNG KWAN O, NEW TERRITORIES		
CLIENT:  美特鋁質有限公司 MIDI ALUMINIUM FABRICATOR LTD. Units 6-8, Sunray Industrial Centre, 1/F 510 Cha Kwo Ling Road, Kowloon Tel:23489211-4 Fax:(852)27727666		
 银同有限公司 Silver Town Limited Tel:0769-83354968 Fax:0769-83359954 E-MAIL ADDRESS:sgsttd@vip.163.COM		
DRAWING TITLE : [1B-.2]		
CAD File Name :		
Designed by		
Drawn by		
Reviewed by		
Approved by		
Scale		
DWG NO.: WW1	- [1B-2]	REV. 0

构件编号:	1B-3	构件数量:	1	构件重量:	4.01	
部件编号	规格(mm)	长度(mm)	数量	单重(kg)	共重(kg)	表面积(m ²)
M124	RSC75*40*6.92	591	1	4.01	4.01	0.18
合计:					4.01	

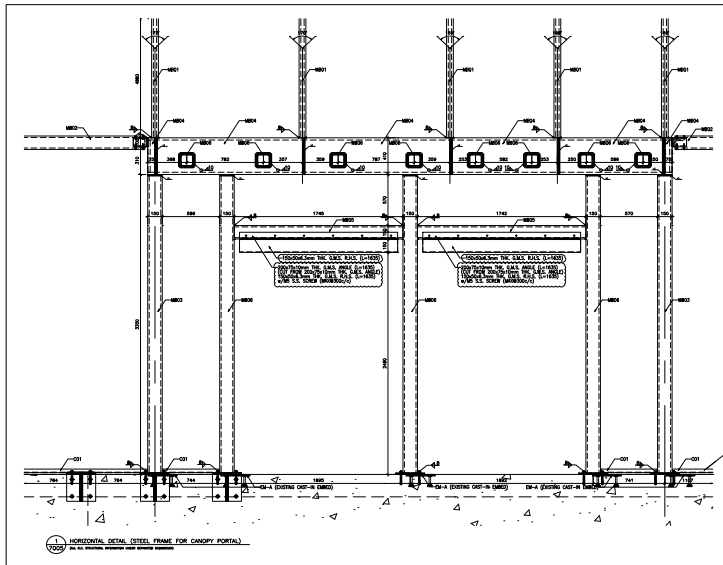
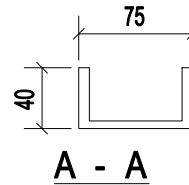


0	第1次报批	2018-11-15
Rev.	Description	Date
PROJECT: PROPOSED SITE C1 DEVELOPMENT AT AREA 86, TKOTL 70 RP, TSEUNG KWAN O, NEW TERRITORIES		
CLIENT:  美特鋁質有限公司 MIDI ALUMINIUM FABRICATOR LTD. Units 6-8, Sunray Industrial Centre, 1/F 510 Cha Kwo Ling Road, Kowloon Tel:23489211-4 Fax:(852)2727666		
 银同有限公司 Silver Town Limited Tel:0769-83354968 Fax:0769-83359954 E-MAIL ADDRESS:sgsttd@vip.163.COM		
DRAWING TITLE : [1B-3]		
CAD File Name :		
Designed by		
Drawn by		
Reviewed by		
Approved by		
Scale		
DWG NO: WW1	- [1B-3]	REV. 0

修改说明：角码做散件出货。



构件： 1B-4



本品

A	第2次报批	2018-11-22
Rev.	Description	Date

PROJECT:
PROPOSED SITE C1
DEVELOPMENT AT AREA 86,
TKO TL 70 RP, TSEUNG KWAN O,
NEW TERRITORIES

CLIENT:
美特铝质有限公司
MIDI ALUMINIUM FABRICATOR LTD.
Units 6-8, Sunray Industrial Centre, 1/F
510 Cha Kwo Ling Road, Kowloon
Tel:23489211-4 Fax:(852)27727666

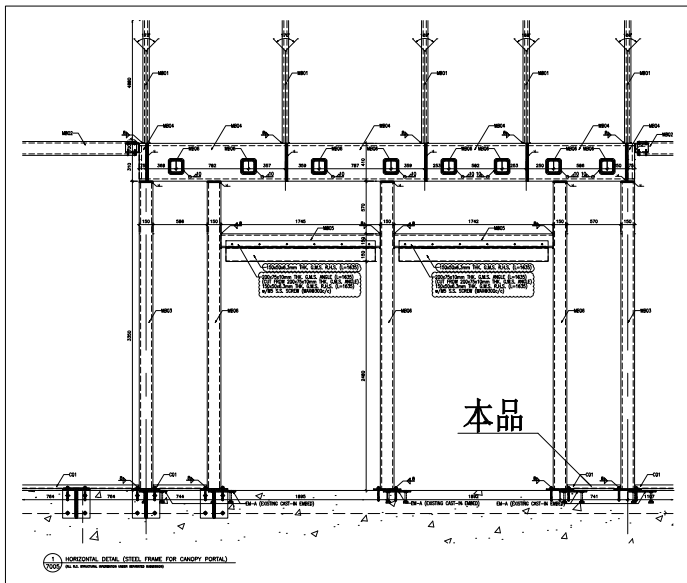
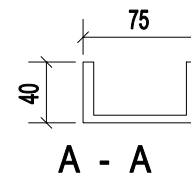
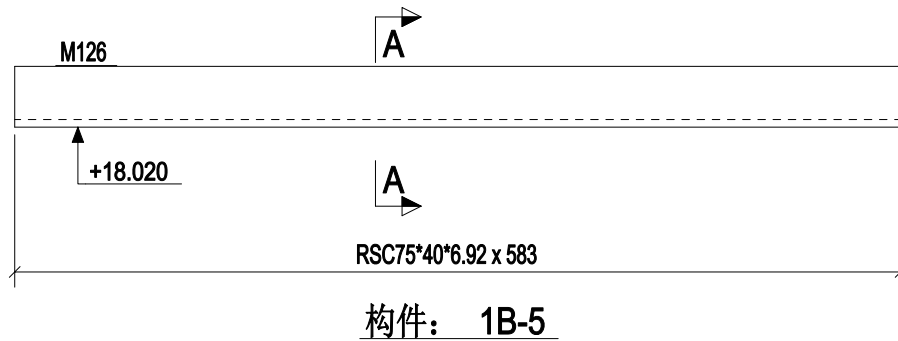
[1B-4]

Designed by	
Drawn by	
Reviewed by	
Approved by	
Scale	

构件编号:	1B-4	构件数量:	1	构件重量:	6.88	
部件编号	规格(mm)	长度(mm)	数量	单重(kg)	共重(kg)	表面积(m ²)
M125	RSC75*40*6.92	1013	1	6.88	6.88	0.31
合计:					6.88	

DWG NO: WW1 - [1B-4] REV. A

修改说明：角码做散件出货。



A	第2次报批	2018-11-22
Rev.	Description	Date

PROJECT:
 PROPOSED SITE C1
 DEVELOPMENT AT AREA 86,
 TKOTL 70 RP, TSEUNG KWAN O,
 NEW TERRITORIES

CLIENT:
 美特铝质有限公司
 MIDI ALUMINIUM FABRICATOR LTD.
 Units 6-8, Sunray Industrial Centre, 1/F
 510 Cha Kwo Ling Road, Kowloon
 Tel:23489211-4 Fax:(852)27727666

[1B-5]

Designed by

Drawn by

Reviewed by

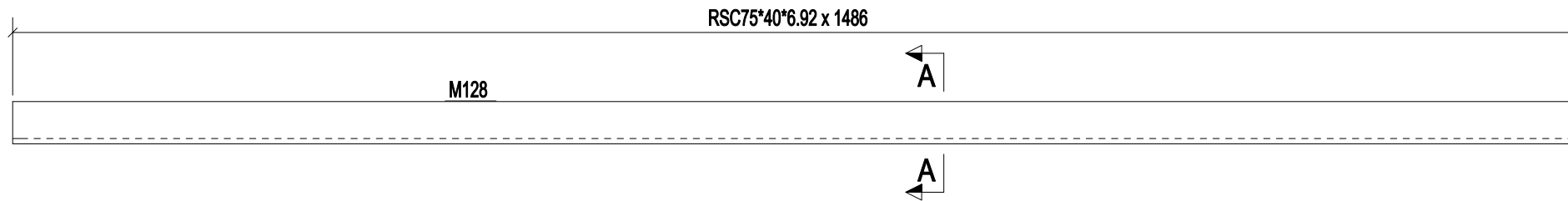
Approved by

Scale

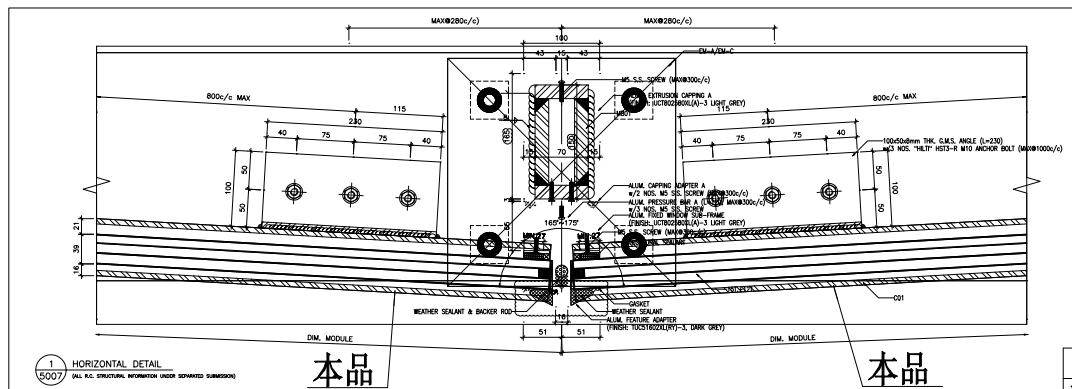
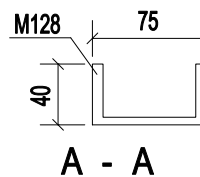
构件编号:	1B-5	构件数量:	1	构件重量:	3.96	
部件编号	规格(mm)	长度(mm)	数量	单重(kg)	共重(kg)	表面积(m ²)
M126	RSC75*40*6.92	583	1	3.96	3.96	0.18
合计:					3.96	

DWG NO:	WW1	-	[1B-5]	REV.	A
---------	-----	---	--------	------	---

修改说明：角码做散件出货。



构件： 1B-7



构件编号:	1B-7	构件数量:	9	构件重量:	10.09	
部件编号	规格(mm)	长度(mm)	数量	单重(kg)	共重(kg)	表面积(m ²)
M128	RSC75*40*6.92	1486	1	10.09	10.09	0.45
合计:					10.09	

A	第2次报批	2018-11-22
Rev.	Description	Date

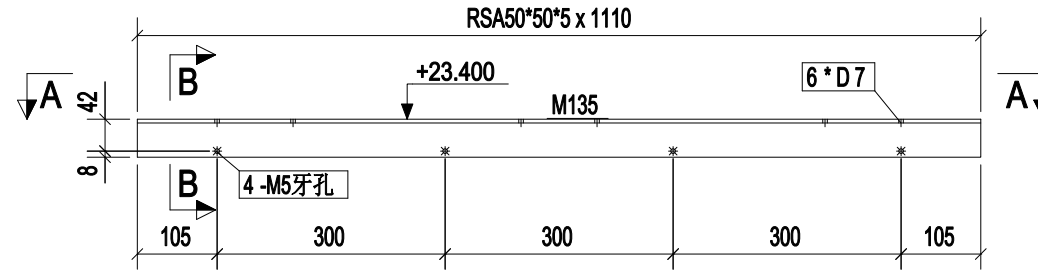
PROJECT:
 PROPOSED SITE C1
 DEVELOPMENT AT AREA 86,
 TKOTL 70 RP, TSEUNG KWAN O,
 NEW TERRITORIES

CLIENT:
 美特铝质有限公司
 MIDI ALUMINIUM FABRICATOR LTD.
 Units 6-8, Sunray Industrial Centre, 1/F
 610 Cha Kwo Ling Road, Kowloon
 Tel:23489211-4 Fax:(852)27727666

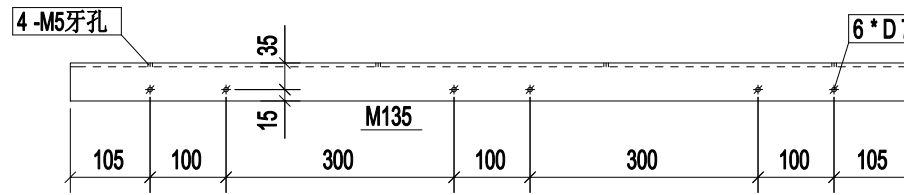
[1B-7]

Designed by	
Drawn by	
Reviewed by	
Approved by	
Scale	
DWG NO:	WW1 - [1B-7]
REV.	A

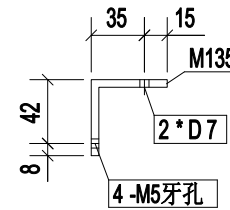
构件编号:	1B-10	构件数量:	8	构件重量:	4.21	
部件编号	规格(mm)	长度(mm)	数量	单重(kg)	共重(kg)	表面积(m ²)
M135	RSA50*50*5	1110	1	4.21	4.21	0.21
合计:					4.21	



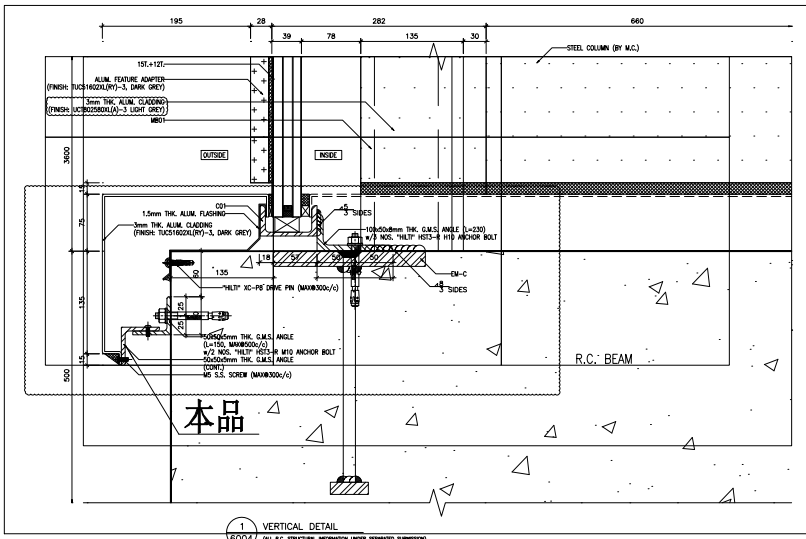
构件: 1B-10



A - A

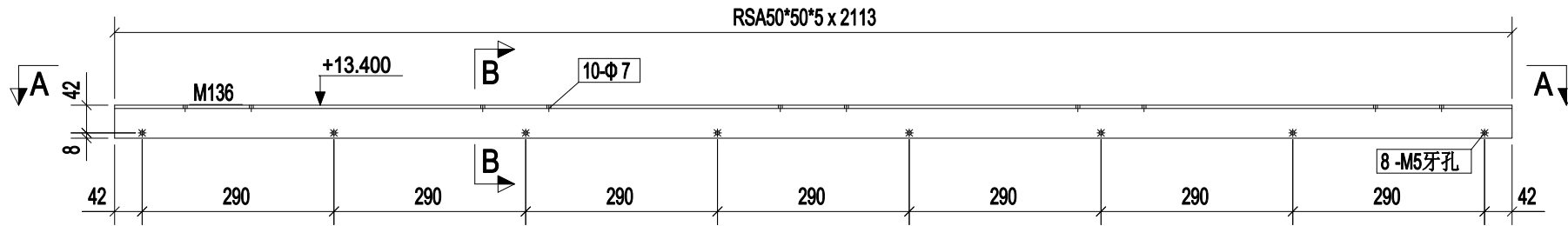


B - B

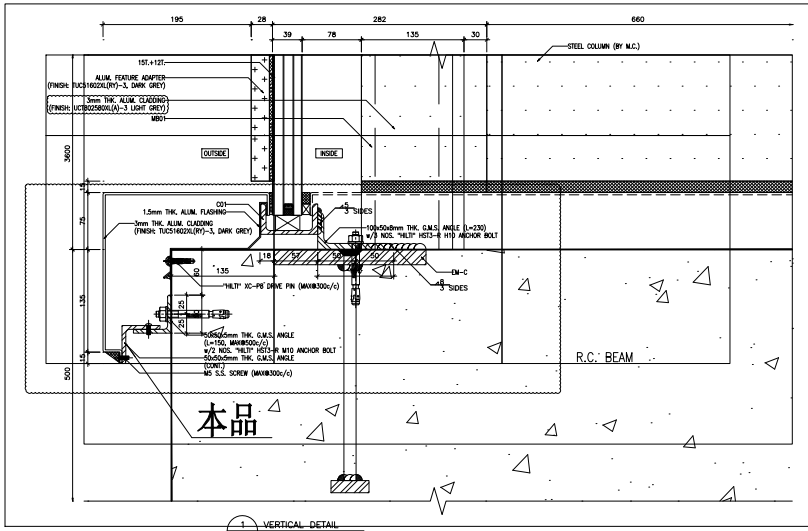
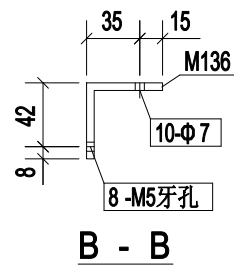
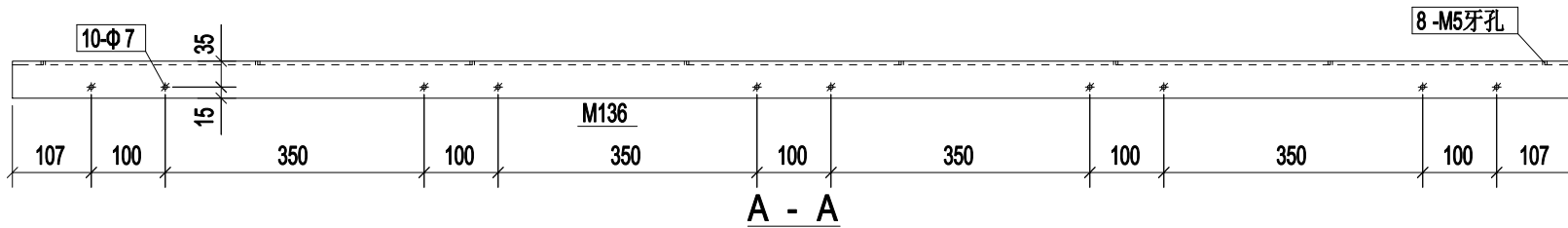


0	第1次报批	2018-11-15
Rev.	Description	Date
PROJECT: PROPOSED SITE C1 DEVELOPMENT AT AREA 86, TKOTL 70 RP, TSEUNG KWAN O, NEW TERRITORIES		
CLIENT: 美特铝质有限公司 MIDI ALUMINIUM FABRICATOR LTD. Units 6-8, Sunray Industrial Centre, 1/F 510 Cha Kwo Ling Road, Kowloon Tel:23489211-4 Fax:(852)2727666		
银同有限公司 Silver Town Limited Tel:0769-83354968 Fax:0769-83359954 E-MAIL ADDRESS:sgsttd@vip.163.COM		
DRAWING TITLE : [1B-10]		
CAD File Name :		
Designed by		
Drawn by		
Reviewed by		
Approved by		
Scale		
DWG NO.: WW1	- [1B-10]	REV. 0

构件编号:	1B-11	构件数量:	17	构件重量:	8.01	
部件编号	规格(mm)	长度(mm)	数量	单重(kg)	共重(kg)	表面积(m ²)
M136	RSA50*50*5	2113	1	8.01	8.01	0.40
合计:					8.01	

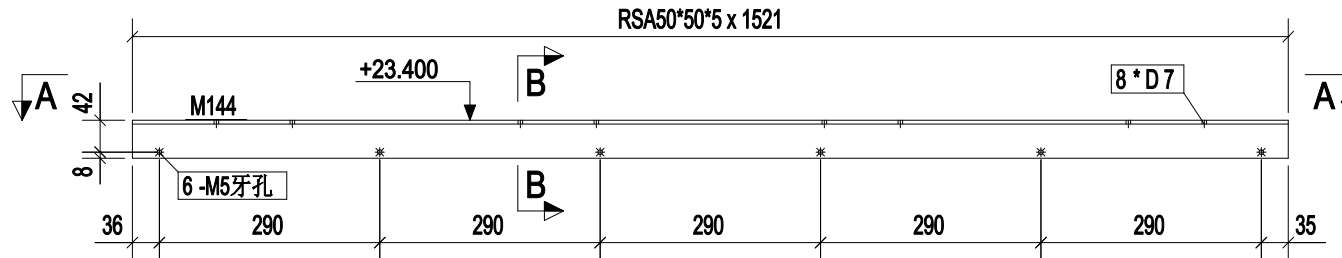


构件: 1B-11

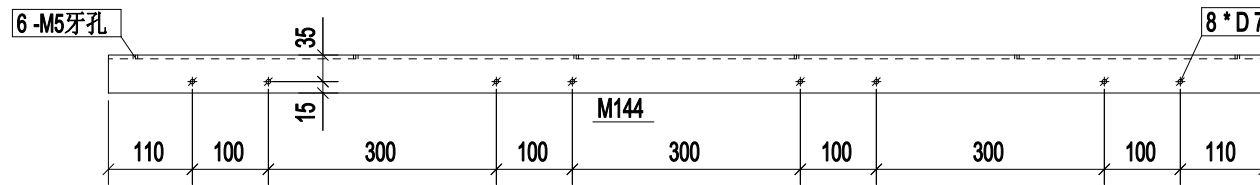


0	第1次报批	2018-11-15
Rev.	Description	Date
PROJECT: PROPOSED SITE C1 DEVELOPMENT AT AREA 86, TKOTL 70 RP, TSEUNG KWAN O, NEW TERRITORIES		
CLIENT: 美特铝质有限公司 MIDI ALUMINIUM FABRICATOR LTD. Units 6-8, Sunray Industrial Centre, 1/F 510 Cha Kwo Ling Road, Kowloon Tel:23489211-4 Fax:(852)2727666		
银同有限公司 Silver Town Limited Tel:0769-83354968 Fax:0769-83359954 E-MAIL ADDRESS:sgst@vip.163.COM		
DRAWING TITLE : [1B-11]		
CAD File Name :		
Designed by		
Drawn by		
Reviewed by		
Approved by		
Scale		
DWG NO: WW1	- [1B-11]	REV. 0

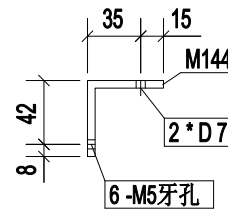
构件编号:	1B-12	构件数量:	9	构件重量:	5.77	
部件编号	规格(mm)	长度(mm)	数量	单重(kg)	共重(kg)	表面积(m ²)
M144	RSA50*50*5	1521	1	5.77	5.77	0.29
				合计:	5.77	



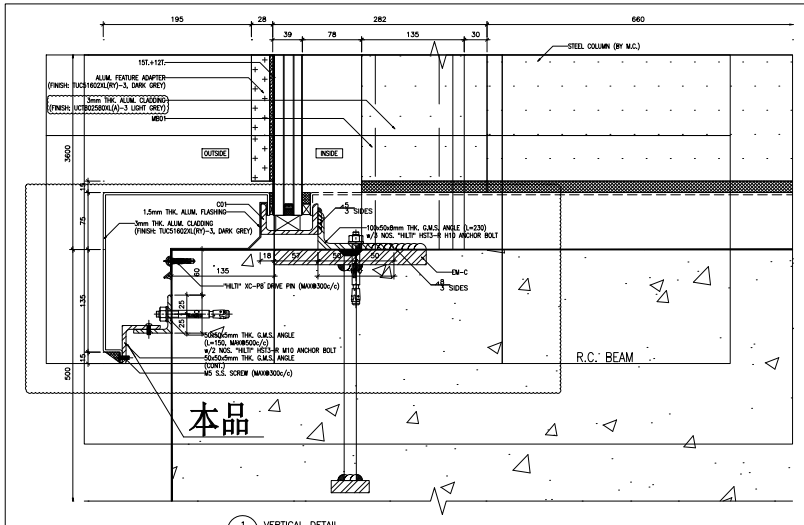
构件: 1B-12



A - A

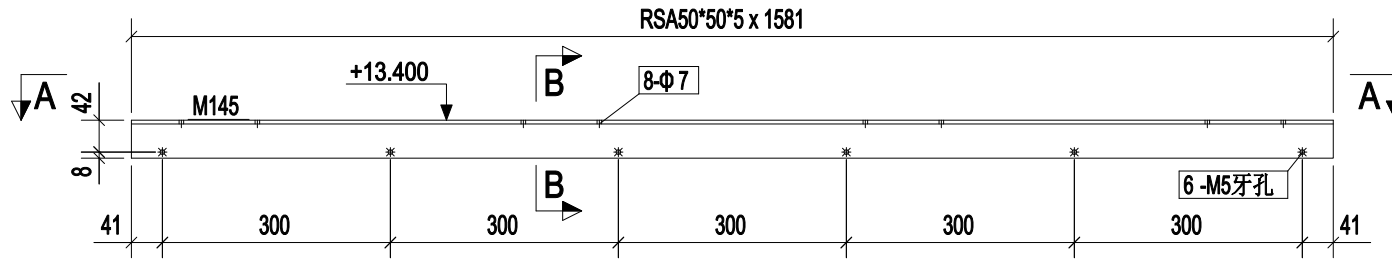


B - B

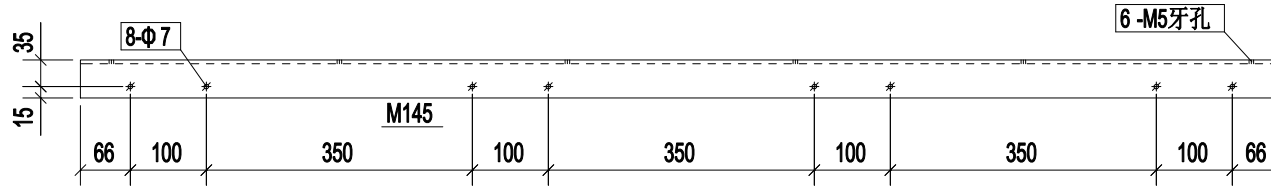


0	第1次报批	2018-11-15
Rev.	Description	Date
PROJECT: PROPOSED SITE C1 DEVELOPMENT AT AREA 86, TKOTL 70 RP, TSEUNG KWAN O, NEW TERRITORIES		
CLIENT: 美特铝质有限公司 MIDI ALUMINIUM FABRICATOR LTD. Units 6-8, Sunray Industrial Centre, 1/F 610 Cha Kwo Ling Road, Kowloon Tel:23489211-4 Fax:(852)27727666		
银同有限公司 Silver Town Limited Tel:0769-83354968 Fax:0769-83359954 E-MAIL ADDRESS:sgsttd@vip.163.COM		
DRAWING TITLE : [1B-12]		
CAD File Name :		
Designed by		
Drawn by		
Reviewed by		
Approved by		
Scale		
DWG NO: WW1	- [1B-12]	REV. 0

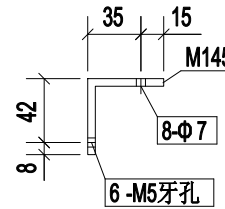
构件编号:	1B-13	构件数量:	1	构件重量:	6.00	
部件编号	规格(mm)	长度(mm)	数量	单重(kg)	共重(kg)	表面积(m ²)
M145	RSA50*50*5	1581	1	6.00	6.00	0.30
合计:					6.00	



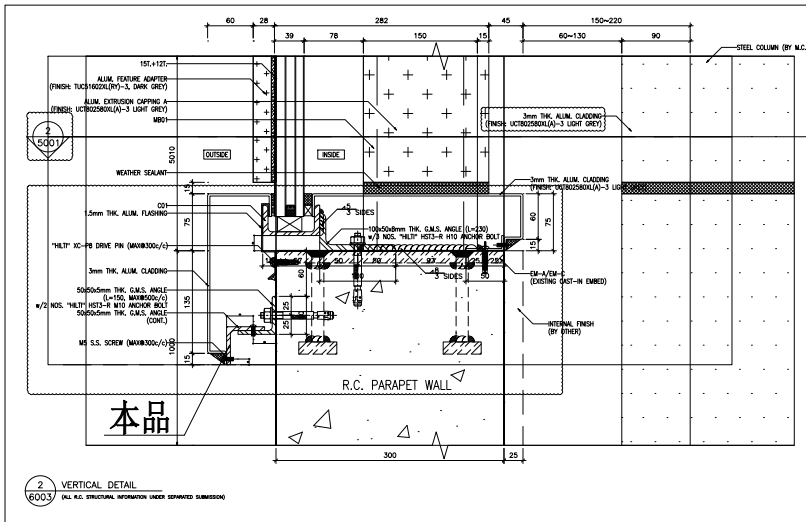
构件: 1B-13



A - A

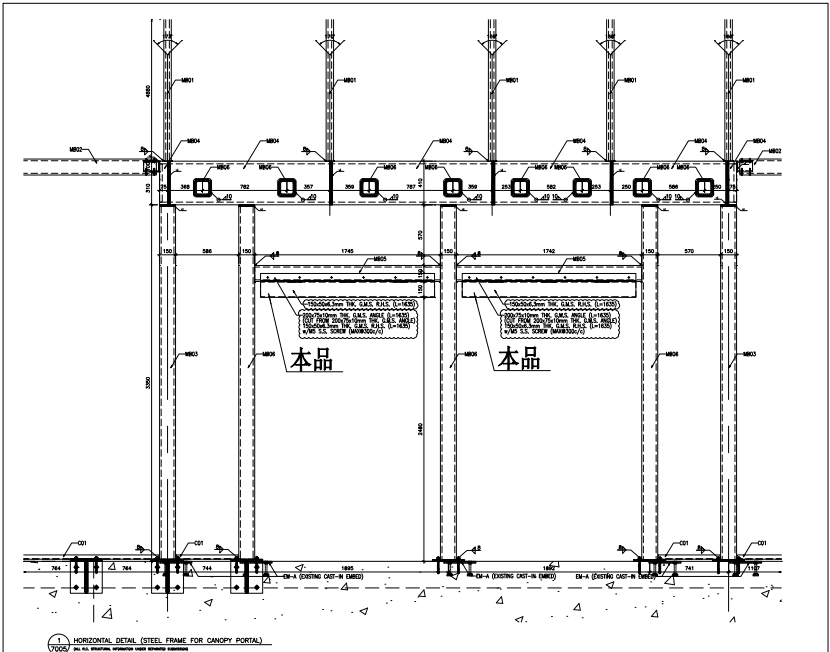
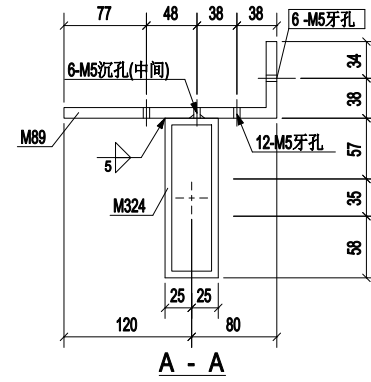
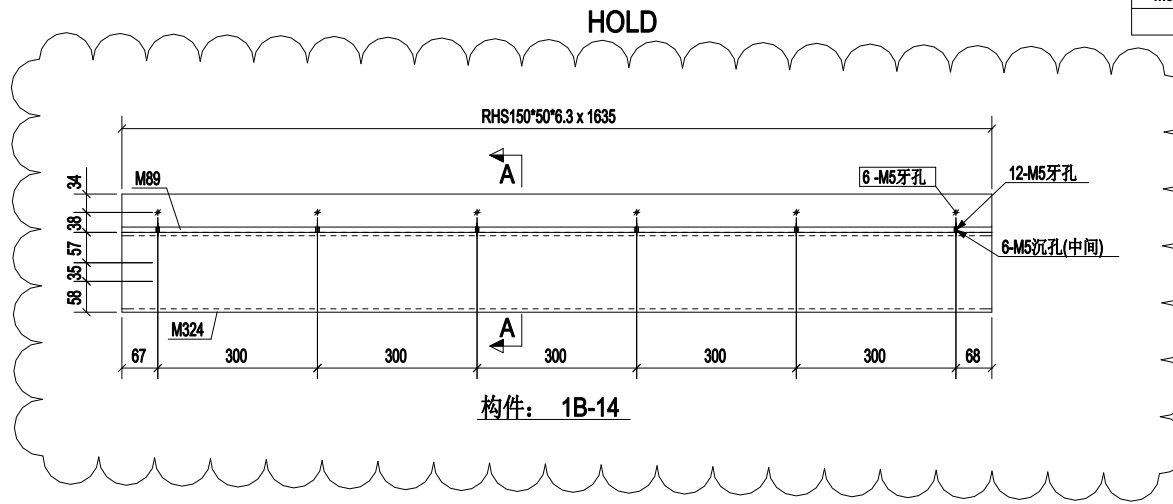


B - B



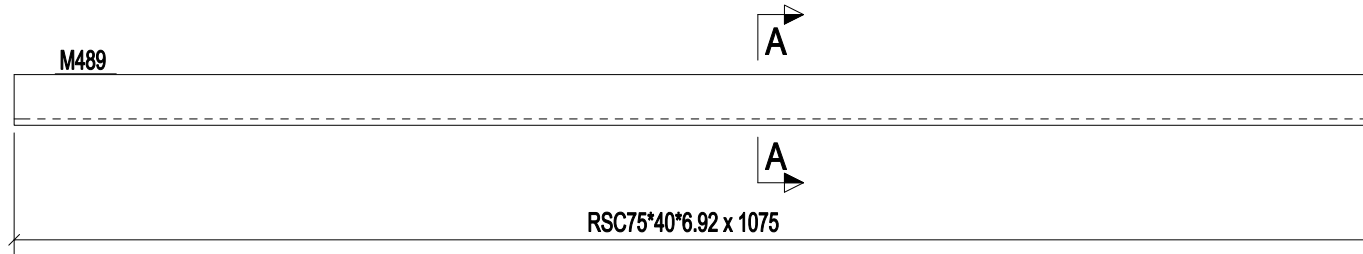
0	第1次报批	2018-11-15
Rev.	Description	Date
PROJECT: PROPOSED SITE C1 DEVELOPMENT AT AREA 86, TKOTL 70 RP, TSEUNG KWAN O, NEW TERRITORIES		
CLIENT: 美特铝质有限公司 MIDI ALUMINIUM FABRICATOR LTD. Units 6-8, Sunray Industrial Centre, 1/F 510 Cha Kwo Ling Road, Kowloon Tel:23489211-4 Fax:(852)27727666		
银同有限公司 Silver Town Limited Tel:0769-83354968 Fax:0769-83359954 E-MAIL ADDRESS:sgstl@vip.163.COM		
DRAWING TITLE : [1B-13]		
CAD File Name :		
Designed by		
Drawn by		
Reviewed by		
Approved by		
Scale		
DWG NO.: WW1	- [1B-13]	REV. 0

构件编号:	1B-14	构件数量:	2	构件重量:	65.22	
部件编号	规格(mm)	长度(mm)	数量	单重(kg)	共重(kg)	表面积(m ²)
M89	PL10*272	1635	1	34.91	34.91	0.89
M324	RHS150*50*6.3	1635	1	30.31	30.31	0.64
				合计:	65.22	

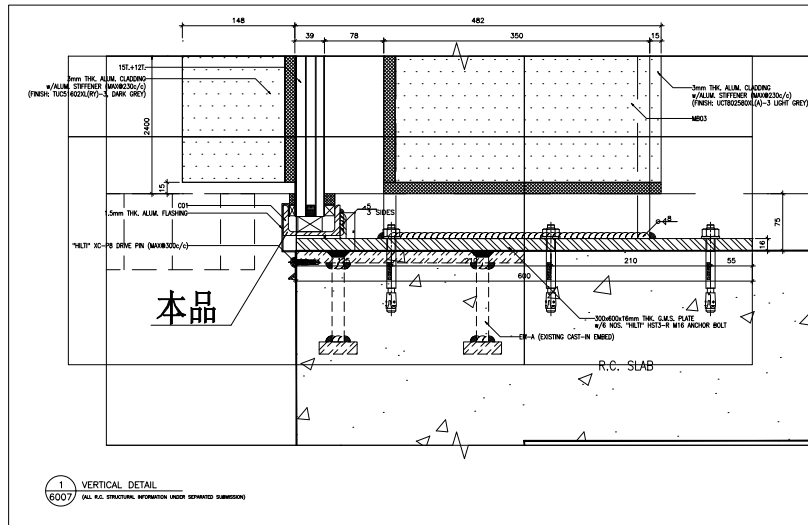
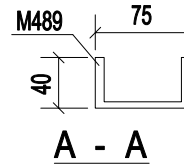


0	第1次报批	2018-11-15
Rev.	Description	Date
PROJECT: PROPOSED SITE C1 DEVELOPMENT AT AREA 86, TKOIL 70 RP, TSEUNG KWAN O, NEW TERRITORIES		
CLIENT: 美特铝质有限公司 MIDI ALUMINIUM FABRICATOR LTD. Units 6-8, Sunray Industrial Centre, 1/F 610 Cho Kwo Ling Road, Kowloon Tel:23489211-4 Fax:(852)27727666		
银同有限公司 Silver Town Limited Tel:0769-83354968 Fax:0769-83358954 E-MAIL ADDRESS:dgstkl@vip.163.COM		
DRAWING TITLE : [1B-14]		
CAD File Name :		
Designed by		
Drawn by		
Reviewed by		
Approved by		
Scale		
DWG NO: WW1	- [1B-14]	REV. 0

修改说明：角码做散件出货。



构件： 1B-15



构件编号:	1B-15	构件数量:	1	构件重量:	7.30	
部件编号	规格(mm)	长度(mm)	数量	单重(kg)	共重(kg)	表面积(m ²)
M489	RSC75*40*6.92	1075	1	7.30	7.30	0.32
合计:					7.30	

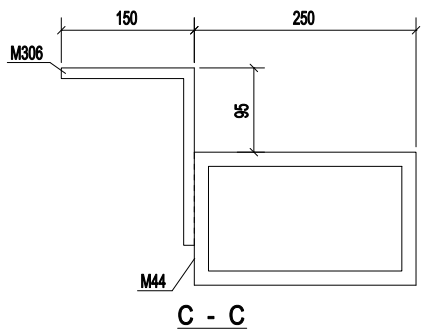
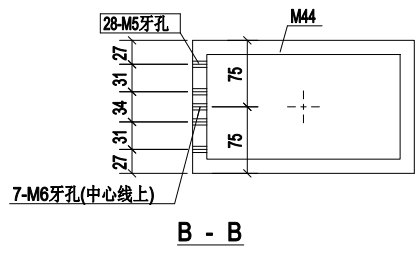
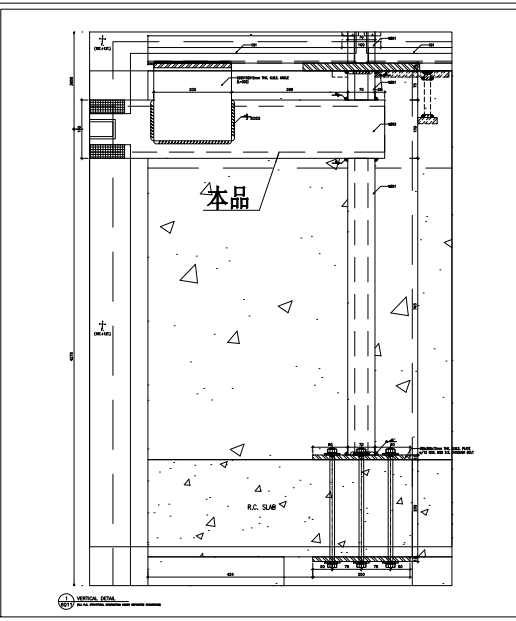
A	第2次报批	2018-11-22
Rev.	Description	Date

PROJECT:
PROPOSED SITE C1
DEVELOPMENT AT AREA 86,
TKOTL 70 RP, TSEUNG KWAN O,
NEW TERRITORIES

CLIENT:
美特铝质有限公司
MIDI ALUMINIUM FABRICATOR LTD.
Units 6-8, Sunray Industrial Centre, 1/F
510 Cha Kwo Ling Road, Kowloon
Tel:23489211-4 Fax:(852)27727666

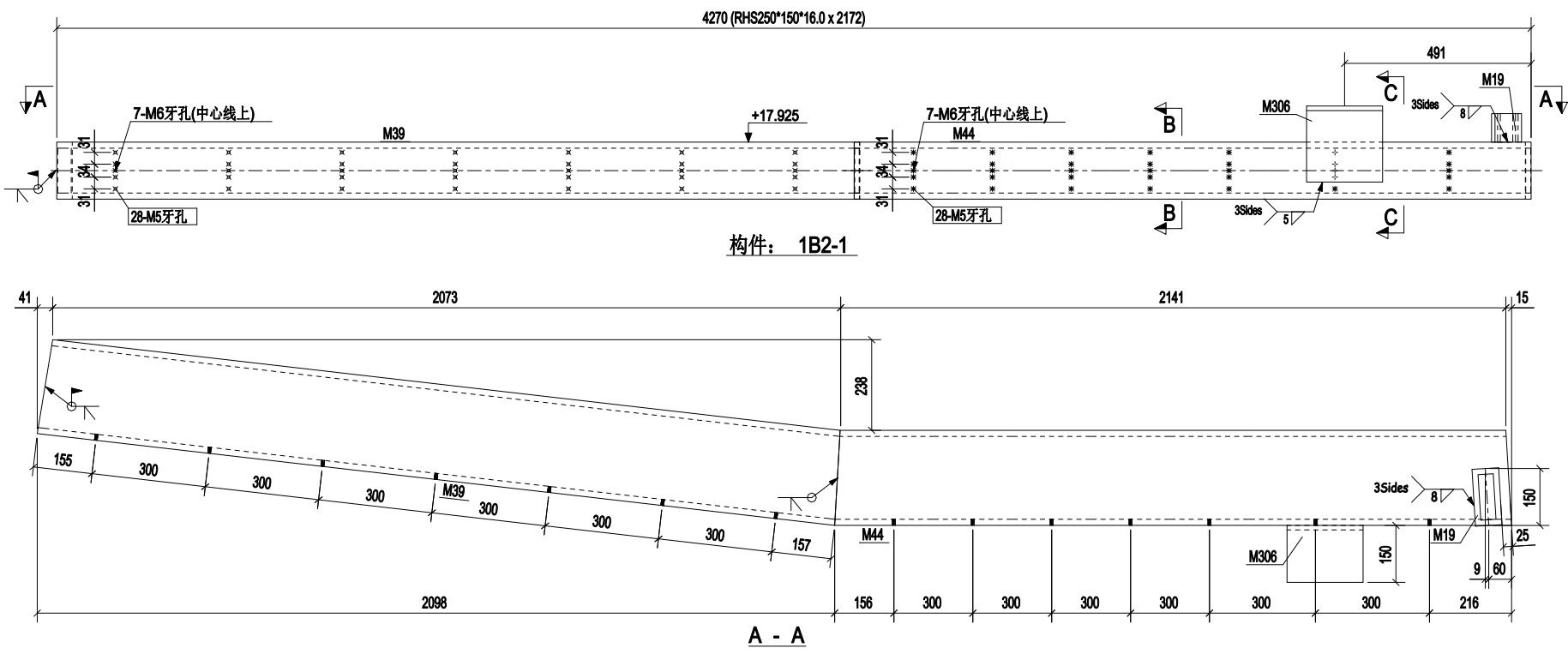
[1B-15]

Designed by	
Drawn by	
Reviewed by	
Approved by	
Scale	
DWG NO:	WW1 - [1B-15]
REV.	A



构件编号: 1B2-1		构件数量: 1			构件重量: 396.48	
部件编号	规格(mm)	长度(mm)	数量	单重(kg)	共重(kg)	表面积(m ²)
M19	PT70*150*15	75	1	3.36	3.36	0.04
M39	RHS250*150*16.0	2112	1	190.63	190.63	1.60
M44	RHS250*150*16.0	2172	1	196.07	196.07	1.65
M306	RSA200*150*12	200	1	6.43	6.43	0.14
					合计:	396.48

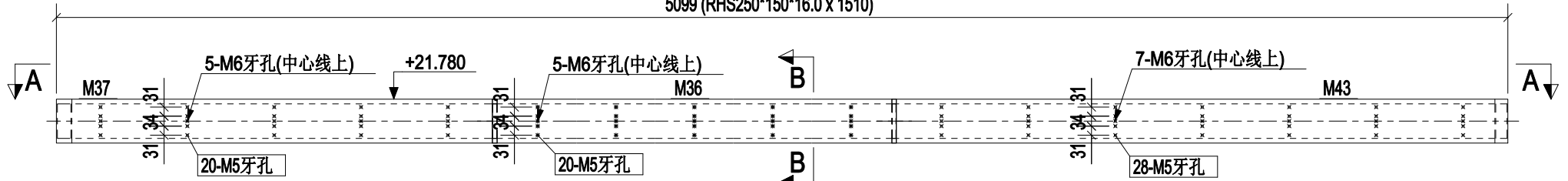
修改说明: 合并成组件出货。



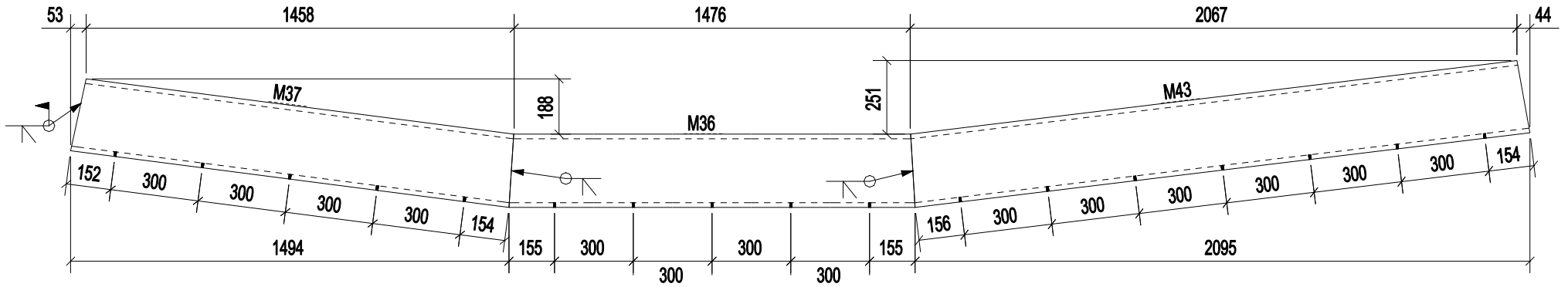
A	第2次报批	2018-11-22
Rev.	Description	Date
PROJECT: PROPOSED SITE C1 DEVELOPMENT AT AREA 86, TKOTL 70 RP, TSEUNG KWAN O, NEW TERRITORIES		
CLIENT: 美特铝业有限公司 MIDI ALUMINIUM FABRICATOR LTD. Units 6-8, Sunray Industrial Centre, 1/F 610 Cho Kwo Ling Road, Kowloon Tel: 23489211-4 Fax: (852) 2727666		

[1B2-1]	
Designed by	
Drawn by	
Reviewed by	
Approved by	
Scale	
DWG NO: WW1 - [1B2-1]	REV. A

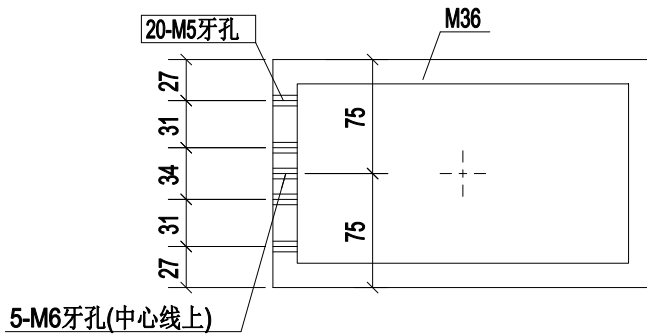
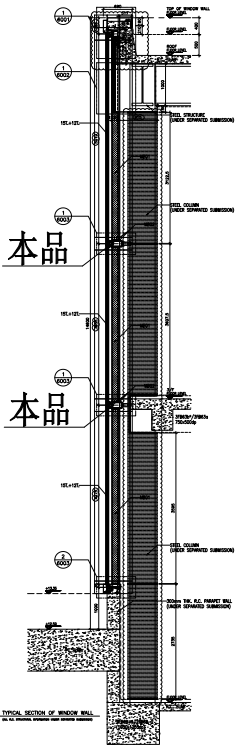
5099 (RHS250*150*16.0 x 1510)



构件: 1B2-2



A - A



B - B

修改说明: 合并成组件出货。

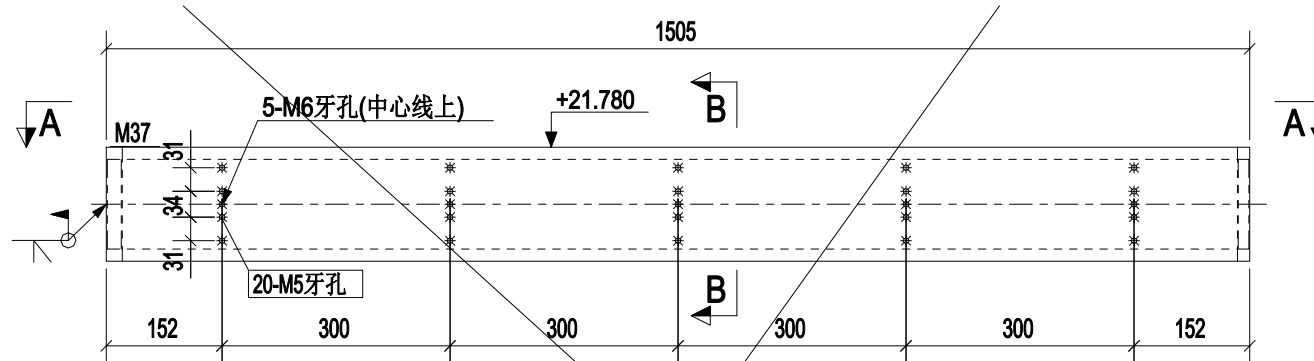
A	第2次报批	2018-11-22
Rev.	Description	Date
PROJECT: PROPOSED SITE C1 DEVELOPMENT AT AREA 86, TKOTL 70 RP, TSEUNG KWAN O, NEW TERRITORIES		
CLIENT: 美特铝质有限公司 Units 6-8, Sunray Industrial Centre, 1/F 510 Cha Kwo Ling Road, Kowloon Tel:23489211-4 Fax:(852)27727666		

[1B2-2]	
---------	--

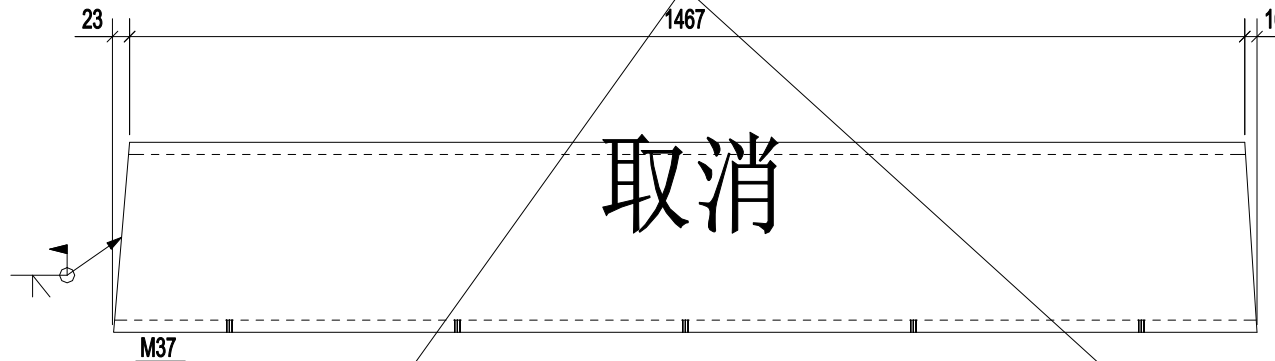
构件编号:	1B2-2	构件数量:	2	构件重量:	462.81	
部件编号	规格(mm)	长度(mm)	数量	单重(kg)	共重(kg)	表面积(m ²)
M36	RHS250*150*16.0	1510	1	136.34	136.34	1.15
M37	RHS250*150*16.0	1506	1	135.96	135.96	1.14
M43	RHS250*150*16.0	2110	1	190.51	190.51	1.60
合计:					462.81	

Designed by	
Drawn by	
Reviewed by	
Approved by	
Scale	
DWG NO:	WW1 - [1B2-2]
REV.	A

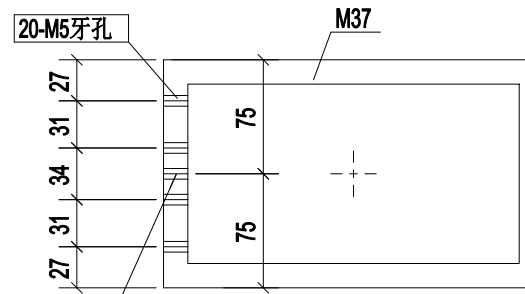
构件编号:	1B2-3	构件数量:	2	构件重量:	135.82	
部件编号	规格(mm)	长度(mm)	数量	单重(kg)	共重(kg)	表面积(m ²)
M37	RHS250*150*16.0	1505	1	135.82	135.82	1.14
				合计:	135.82	



构件: 1B2-3

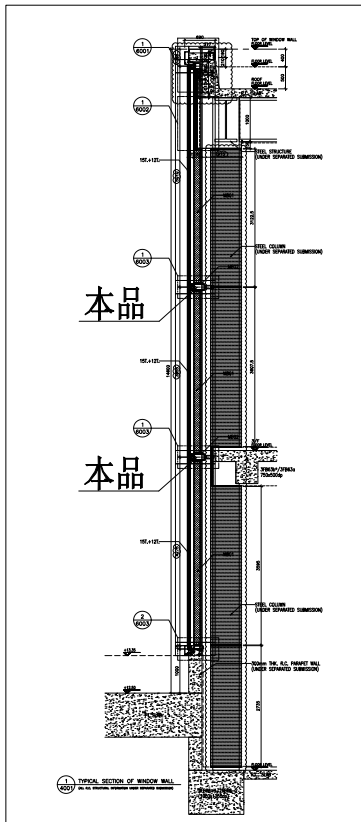


A - A



B - B

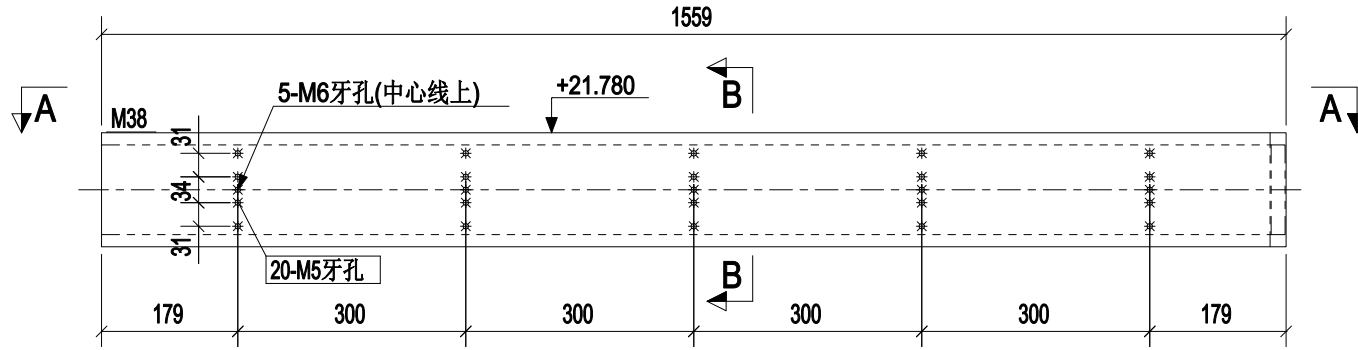
5-M6牙孔(中心线上)



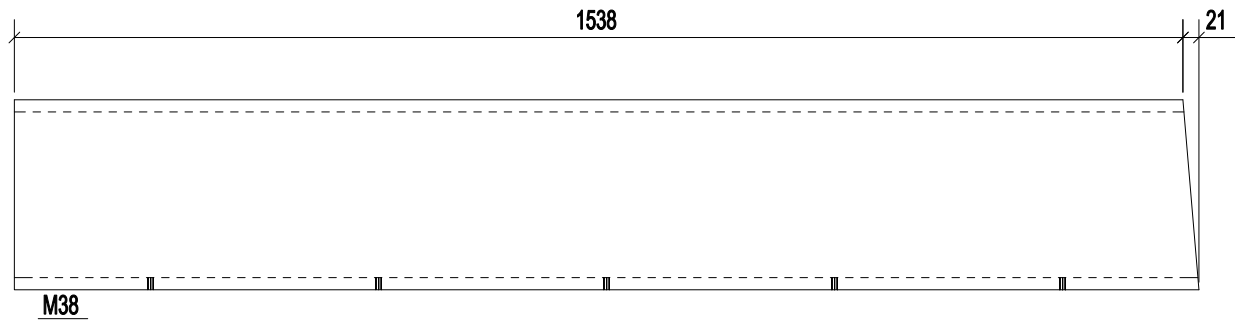
取消

A	第2次报批	2018-11-22
Rev.	Description	Date
PROJECT: PROPOSED SITE C1 DEVELOPMENT AT AREA 86, TKOTL 70 RP, TSEUNG KWAN O, NEW TERRITORIES		
CLIENT: 美特铝质有限公司 MIDI ALUMINIUM FABRICATOR LTD. Units 6-8, Sunray Industrial Centre, 1/F 510 Cha Kwo Ling Road, Kowloon Tel:23489211-4 Fax:(852)27727666		
银同有限公司 Silver Town Limited Tel:0769-83354968 Fax:0769-83359954 E-MAIL ADDRESS:sgsttd@vip.163.COM		
DRAWING TITLE : [1B2-3]		
CAD File Name :		
Designed by		
Drawn by		
Reviewed by		
Approved by		
Scale		
DWG NO: WW1	- [1B2-3]	REV. A

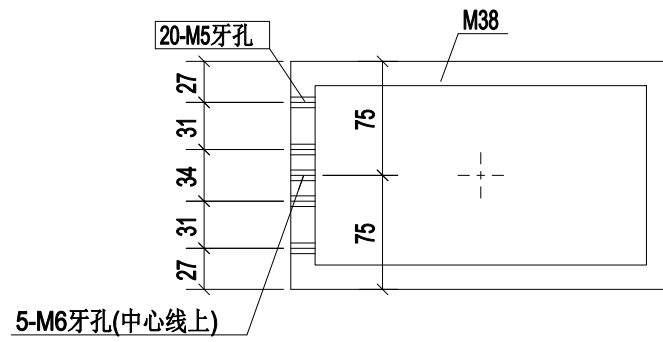
构件编号:	1B2-4	构件数量:	2	构件重量:	140.71	
部件编号	规格(mm)	长度(mm)	数量	单重(kg)	共重(kg)	表面积(m ²)
M38	RHS250*150*16.0	1559	1	140.71	140.71	1.18
合计:					140.71	



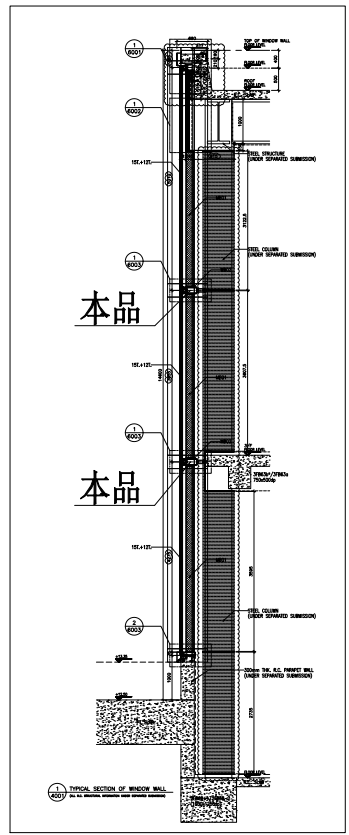
构件: 1B2-4



A - A

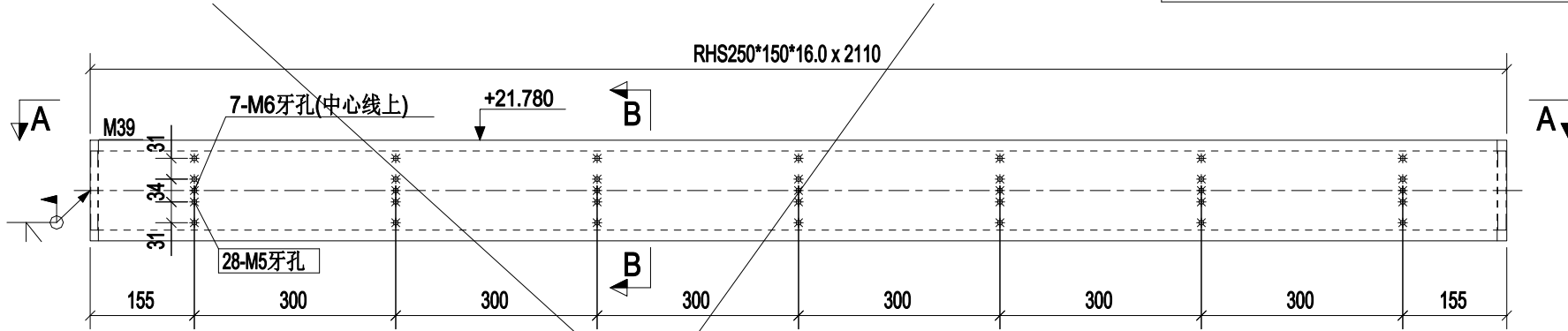


B - B

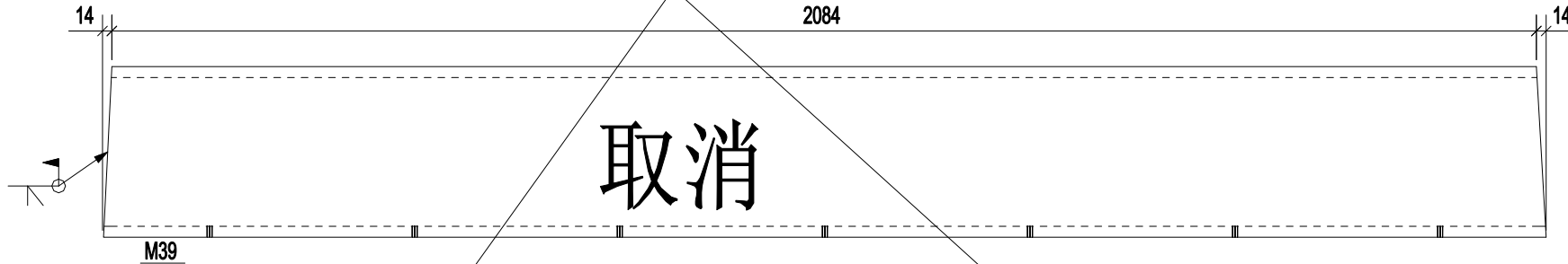


0	第1次报批	2018-11-15
Rev.	Description	Date
PROJECT: PROPOSED SITE C1 DEVELOPMENT AT AREA 86, TKOTL 70 RP, TSEUNG KWAN O, NEW TERRITORIES		
CLIENT: 美特铝质有限公司 MIDI ALUMINIUM FABRICATOR LTD. Units 6-8, Sunray Industrial Centre, 1/F 510 Cha Kwo Ling Road, Kowloon Tel:23489211-4 Fax:(852)27727666		
银同有限公司 Silver Town Limited Tel:0769-83354968 Fax:0769-83359954 E-MAIL ADDRESS:sgsttd@vip.163.COM		
DRAWING TITLE : [1B2-4]		
CAD File Name :		
Designed by		
Drawn by		
Reviewed by		
Approved by		
Scale		
DWG NO: WW1	- [1B2-4]	REV. 0

构件编号:	1B2-5	构件数量:	4	构件重量:	190.49	
部件编号	规格(mm)	长度(mm)	数量	单重(kg)	共重(kg)	表面积(m ²)
M39	RHS250*150*16.0	2110	1	190.49	190.49	1.60
合计: 190.49						

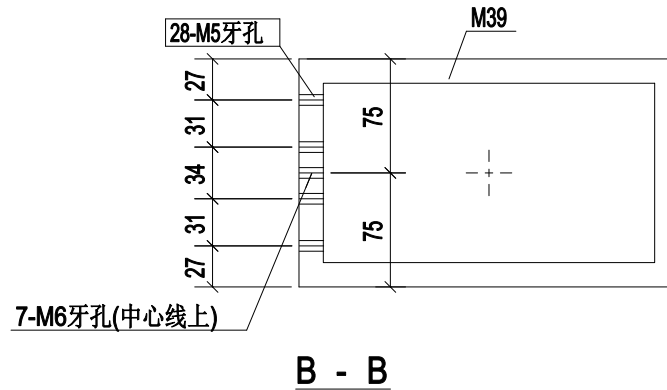
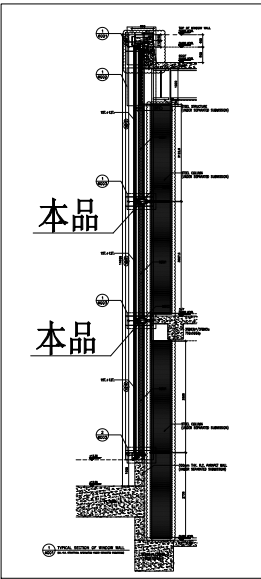


构件: 1B2-5



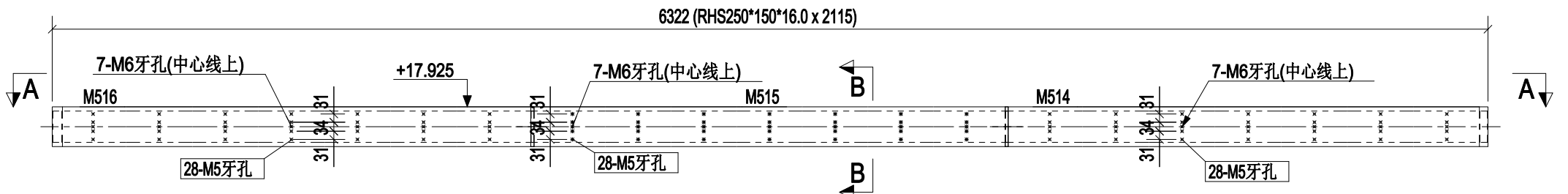
取消

A - A

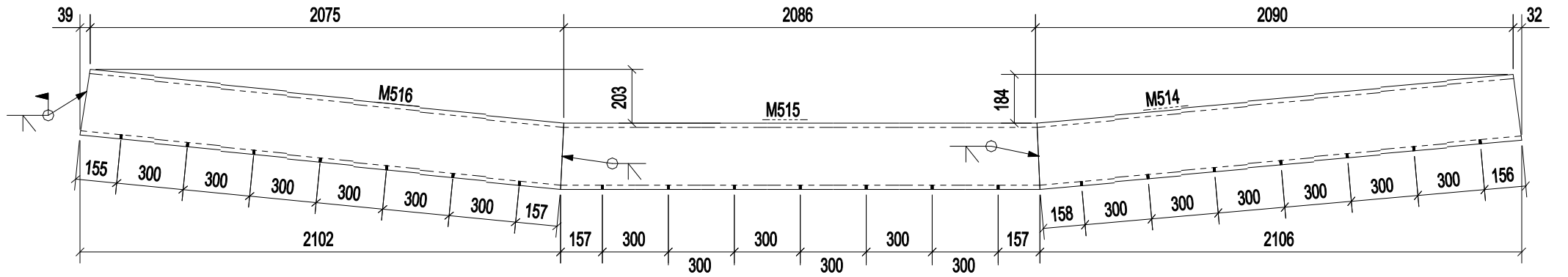


B - B

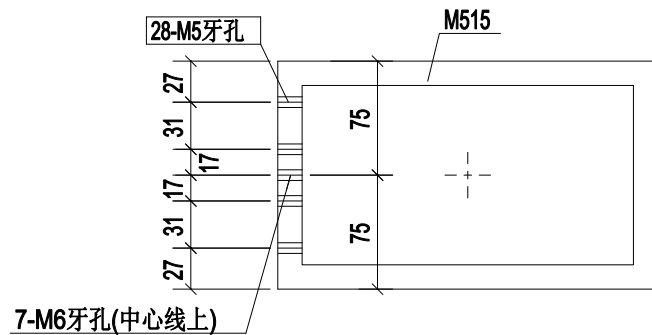
A	第2次报批	2018-11-22
Rev.	Description	Date
PROJECT: PROPOSED SITE C1 DEVELOPMENT AT AREA 86, TKOTL 70 RP, TSEUNG KWAN O, NEW TERRITORIES		
CLIENT: 美特铝质有限公司 Units 6-8, Sunray Industrial Centre, 1/F 510 Cha Kwo Ling Road, Kowloon Tel: 23489211-4 Fax: (852) 27727666		
银同有限公司 Silver Town Limited Tel: 0769-83354968 Fax: 0769-83359954 E-MAIL ADDRESS: dgsttd@vip.163.COM		
DRAWING TITLE : [1B2-5]		
CAD File Name :		
Designed by		
Drawn by		
Reviewed by		
Approved by		
Scale		
DWG NO: WW1	- [1B2-5]	REV. A



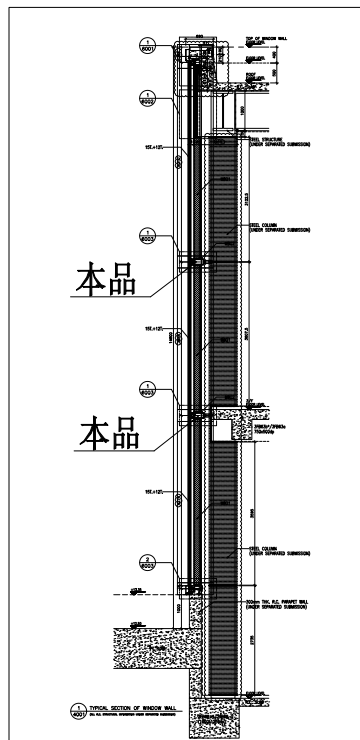
构件: 1B2-6



A - A



B - B



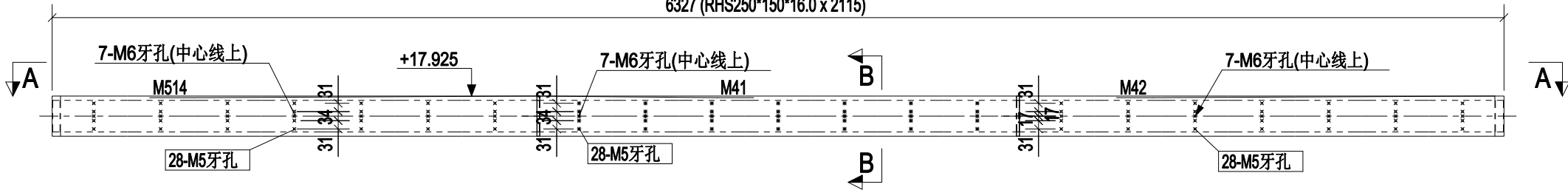
修改说明: 合并成组件出货。

A	第2次报批	2018-11-22
Rev.	Description	Date
PROJECT: PROPOSED SITE C1 DEVELOPMENT AT AREA 86, TKOTL 70 RP, TSEUNG KWAN O, NEW TERRITORIES		
CLIENT: 美特铝质有限公司 MIDI ALUMINIUM FABRICATOR LTD. Units 6-8, Sunray Industrial Centre, 1/F 510 Cha Kwo Ling Road, Kowloon Tel:23489211-4 Fax:(852)27727666		

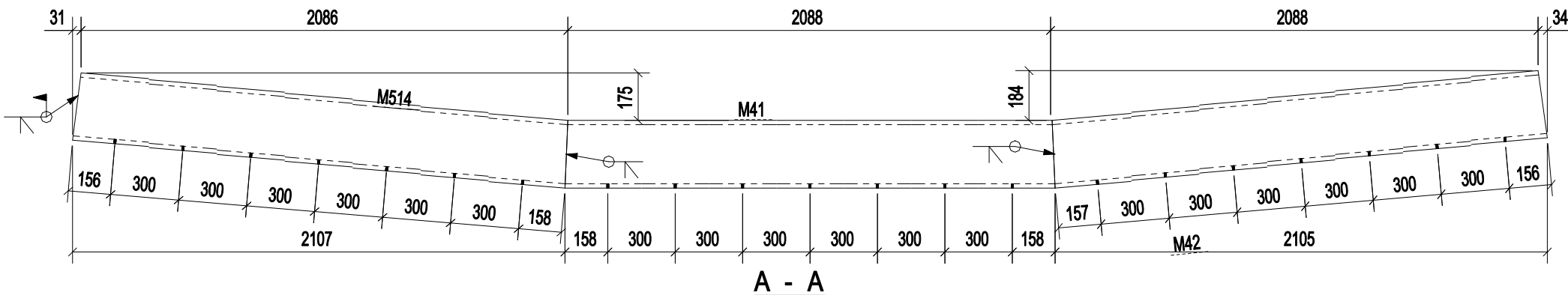
[1B2-6]	
Designed by	
Drawn by	
Reviewed by	
Approved by	
Scale	
DWG NO: WW1	- [1B2-6]
REV.	A

构件编号:	1B2-6	构件数量:	2	构件重量:	572.37	
部件编号	规格(mm)	长度(mm)	数量	单重(kg)	共重(kg)	表面积(m ²)
M514	RHS250*150*16.0	2114	1	190.84	190.84	1.60
M515	RHS250*150*16.0	2115	1	190.90	190.90	1.61
M516	RHS250*150*16.0	2112	1	190.63	190.63	1.60
合计:					572.37	

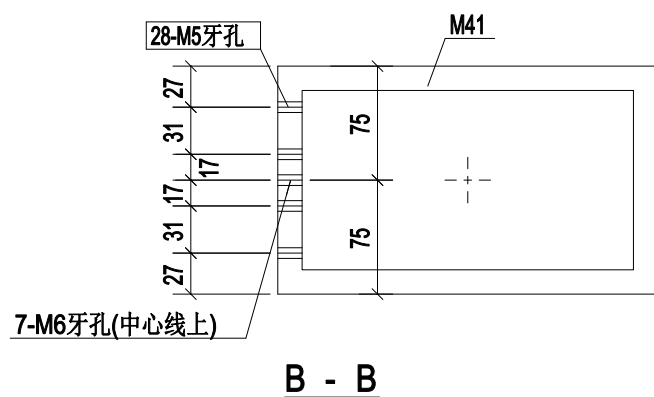
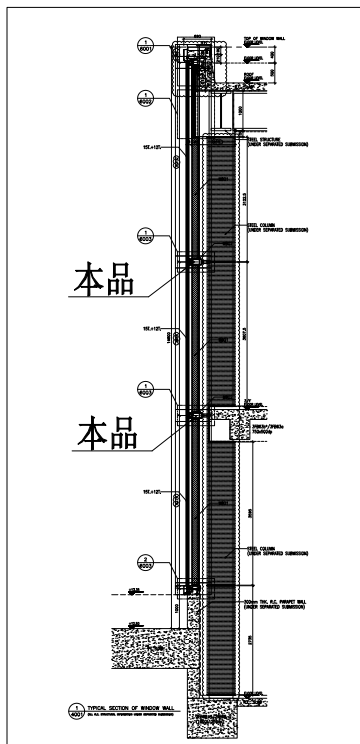
6327 (RHS250*150*16.0 x 2115)



构件: 1B2-7



A - A



修改说明: 合并成组件出货。

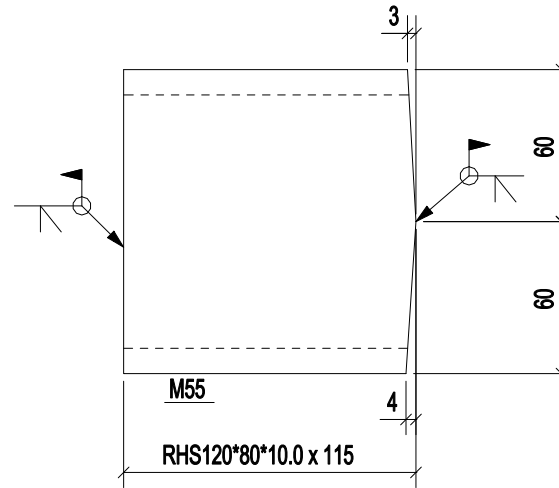
A	第2次报批	2018-11-22
Rev.	Description	Date
PROJECT: PROPOSED SITE C1 DEVELOPMENT AT AREA 86, TKOTL 70 RP, TSEUNG KWAN O, NEW TERRITORIES		
CLIENT: MIDI ALUMINIUM FABRICATOR LTD. Units 6-8, Sunray Industrial Centre, 1/F 510 Cha Kwo Ling Road, Kowloon Tel:23489211-4 Fax:(852)27727666		

[1B2-7]

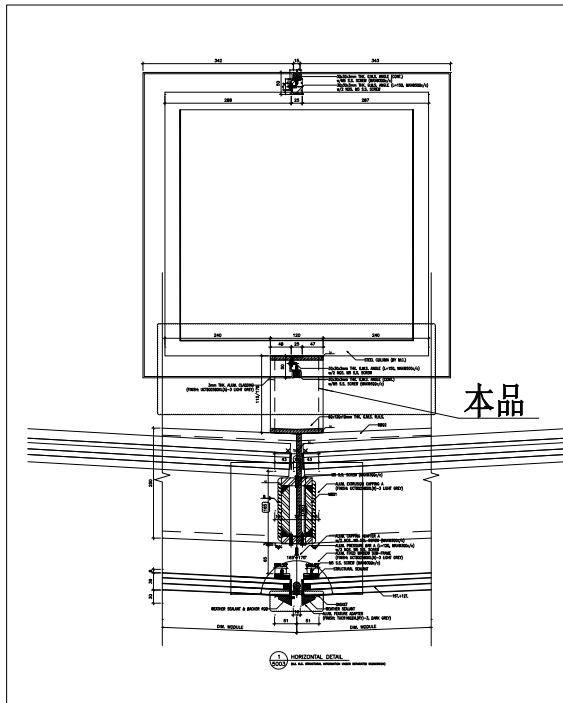
构件编号:	1B2-7	构件数量:	2	构件重量:	572.60	
部件编号	规格(mm)	长度(mm)	数量	单重(kg)	共重(kg)	表面积(m ²)
M41	RHS250*150*16.0	2115	1	190.97	190.97	1.61
M42	RHS250*150*16.0	2113	1	190.77	190.77	1.60
M514	RHS250*150*16.0	2114	1	190.86	190.86	1.60
合计:					572.60	


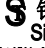
Designed by	
Drawn by	
Reviewed by	
Approved by	
Scale	
DWG NO:	WW1 - [1B2-7]
REV.	A

构件编号:	1B2-8	构件数量:	2	构件重量:	3.16	
部件编号	规格(mm)	长度(mm)	数量	单重(kg)	共重(kg)	表面积(m ²)
M55	RHS120*80*10.0	115	1	3.16	3.16	0.04
合计:					3.16	

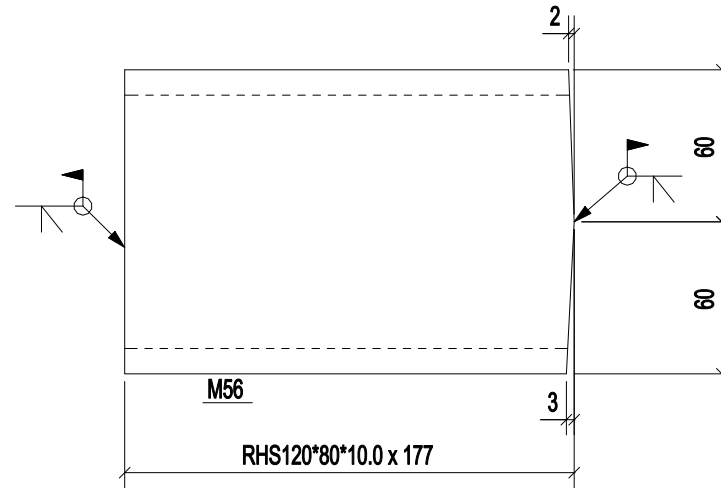


构件: 1B2-8

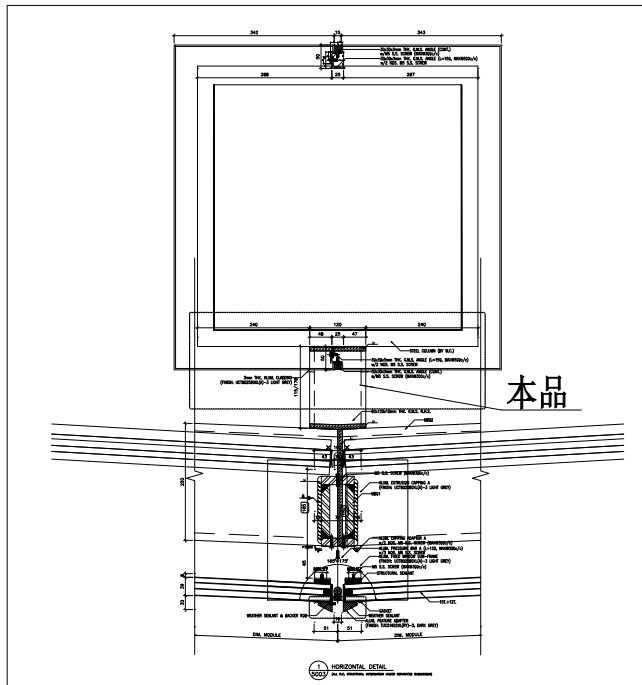




0	第1次报批	2018-11-15
Rev.	Description	Date
PROJECT: PROPOSED SITE C1 DEVELOPMENT AT AREA 86, TKOTL 70 RP, TSEUNG KWAN O, NEW TERRITORIES		
CLIENT:  美特鋁質有限公司 MIDI ALUMINIUM FABRICATOR LTD. Units 6-8, Sunray Industrial Centre, 1/F 510 Cha Kwo Ling Road, Kowloon Tel:23489211-4 Fax:(852)27727666		
 银同有限公司 Silver Town Limited Tel:0769-83354968 Fax:0769-83359954 E-MAIL ADDRESS:sgsttd@vip.163.COM		
DRAWING TITLE : [1B2-8]		
CAD File Name :		
Designed by		
Drawn by		
Reviewed by		
Approved by		
Scale		
DWG NO: WW1	- [1B2-8]	REV. 0

构件编号:	1B2-9	构件数量:	4	构件重量:	4.86	
部件编号	规格(mm)	长度(mm)	数量	单重(kg)	共重(kg)	表面积(m ²)
M56	RHS120*80*10.0	177	1	4.86	4.86	0.07
合计:					4.86	

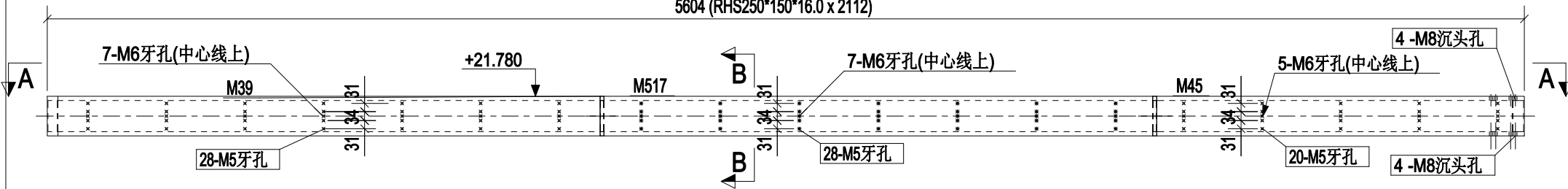


构件: 1B2-9

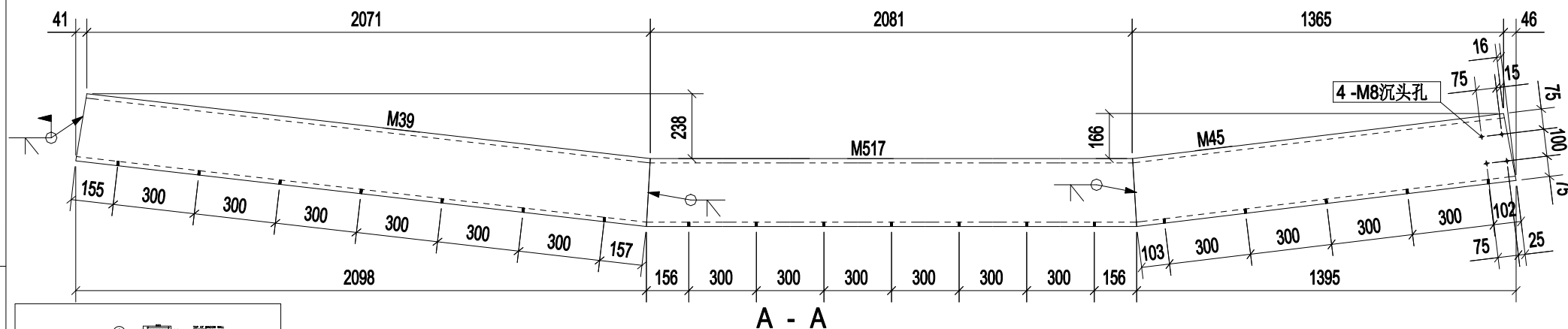


0	第1次报批	2018-11-15
Rev.	Description	Date
PROJECT: PROPOSED SITE C1 DEVELOPMENT AT AREA 86, TKOTL 70 RP, TSEUNG KWAN O, NEW TERRITORIES		
CLIENT:  美特鋁質有限公司 MIDI ALUMINIUM FABRICATOR LTD. Units 6-8, Sunray Industrial Centre, 1/F 510 Cha Kwo Ling Road, Kowloon Tel:23489211-4 Fax:(852)27727666		
 银同有限公司 Silver Town Limited Tel:0769-83354968 Fax:0769-83359954 E-MAIL ADDRESS:dgsttd@vip.163.COM		
DRAWING TITLE : [1B2-9]		
CAD File Name :		
Designed by		
Drawn by		
Reviewed by		
Approved by		
Scale		
DWG NO.: WW1	- [1B2-9]	REV. 0

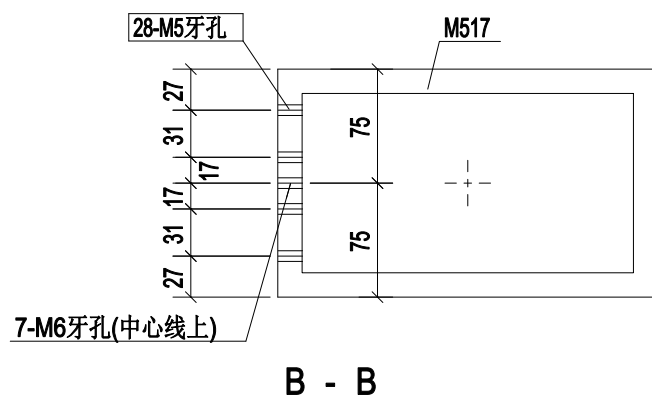
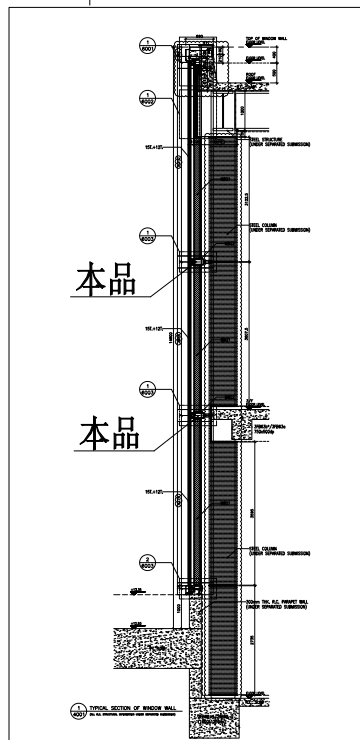
5604 (RHS250*150*16.0 x 2112)



构件: 1B2-10



A - A



B - B

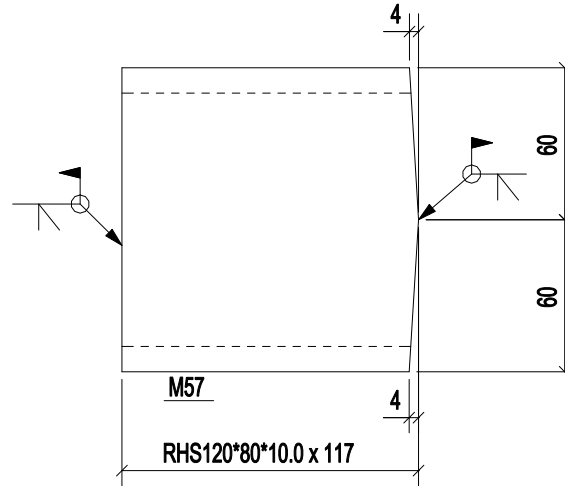
修改说明: 合并成组件出货。

A	第2次报批	2018-11-22
Rev.	Description	Date
PROJECT: PROPOSED SITE C1 DEVELOPMENT AT AREA 86, TKOTL 70 RP, TSEUNG KWAN O, NEW TERRITORIES		
CLIENT: 美特铝质有限公司 MIDI ALUMINIUM FABRICATOR LTD. Units 6-8, Sunray Industrial Centre, 1/F 510 Cha Kwo Ling Road, Kowloon Tel:23489211-4 Fax:(852)27727666		

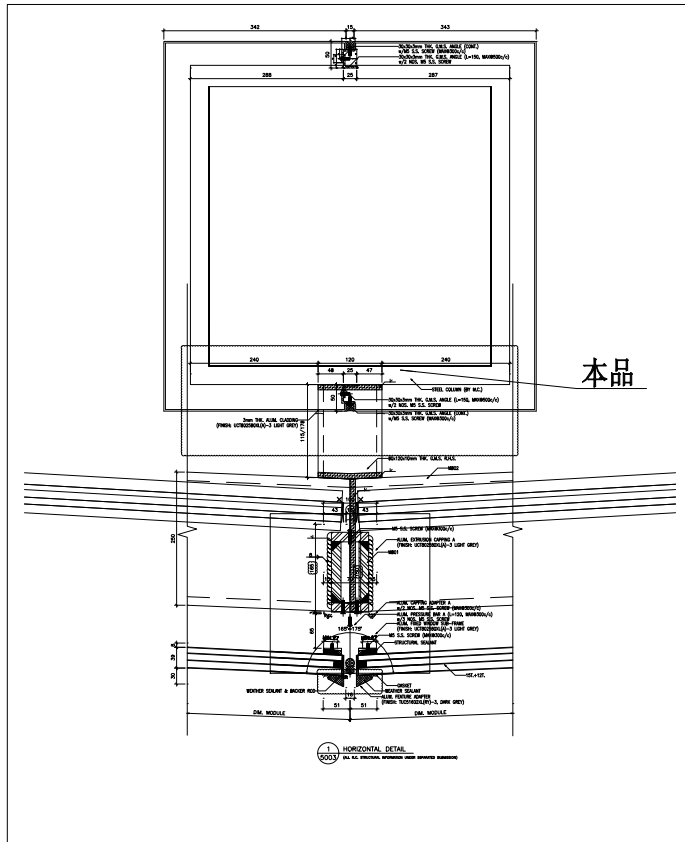
[1B2-10]	
Designed by	
Drawn by	
Reviewed by	
Approved by	
Scale	
DWG NO: WW1	- [1B2-10]
REV.	A



构件编号:	1B2-10	构件数量:	1	构件重量:	508.11	
部件编号	规格(mm)	长度(mm)	数量	单重(kg)	共重(kg)	表面积(m ²)
M39	RHS250*150*16.0	2112	1	190.63	190.63	1.60
M45	RHS250*150*16.0	1405	1	126.84	126.84	1.07
M517	RHS250*150*16.0	2112	1	190.64	190.64	1.60
合计:				508.11		

构件编号:	1B2-11	构件数量:	1	构件重量:	3.21	
部件编号	规格(mm)	长度(mm)	数量	单重(kg)	共重(kg)	表面积(m ²)
M57	RHS120*80*10.0	117	1	3.21	3.21	0.04
合计:					3.21	

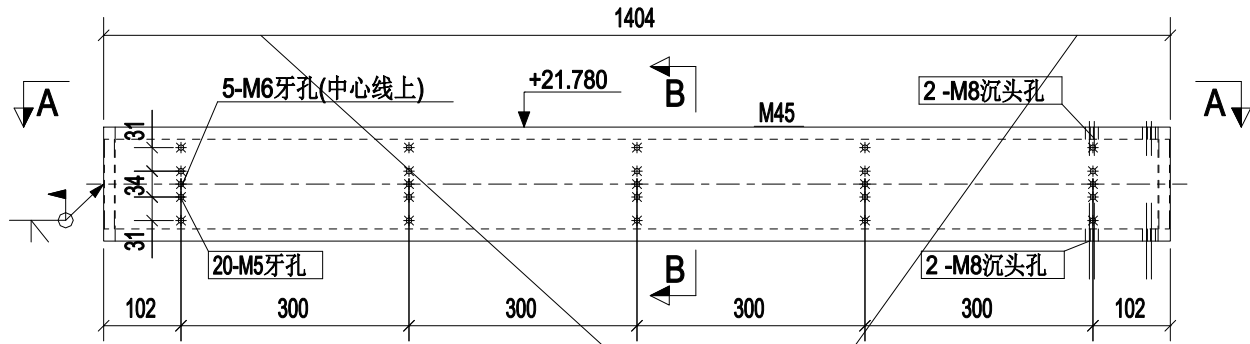


构件: 1B2-11

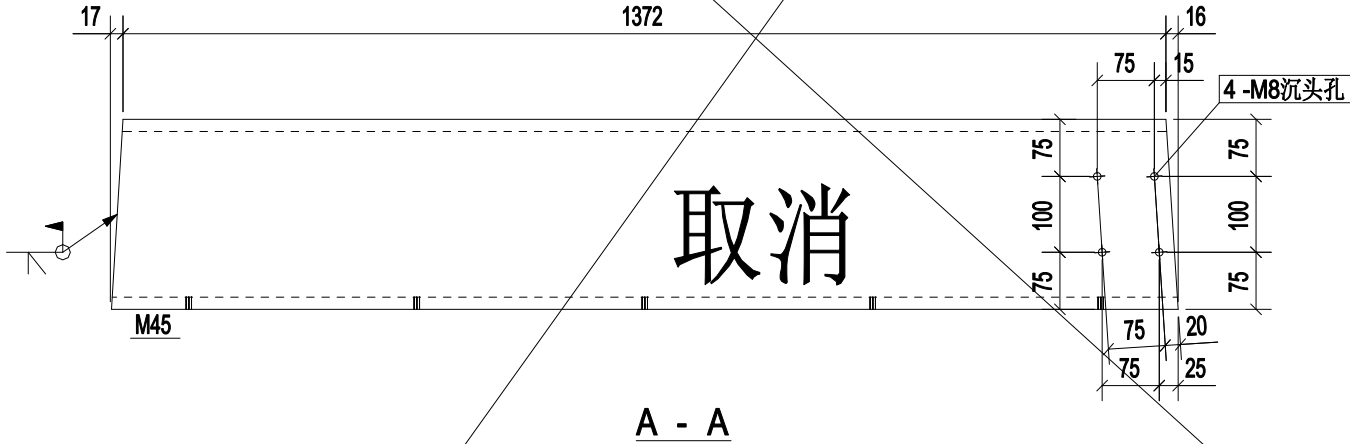
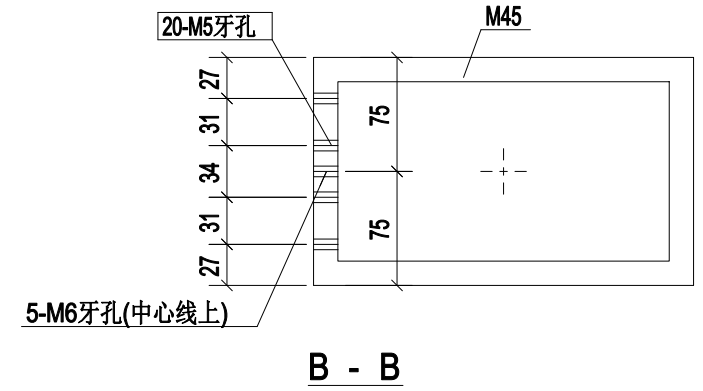


0	第1次报批	2018-11-15
Rev.	Description	Date
PROJECT: PROPOSED SITE C1 DEVELOPMENT AT AREA 86, TKOTL 70 RP, TSEUNG KWAN O, NEW TERRITORIES		
CLIENT:  Units 6-8, Sunray Industrial Centre, 1/F 510 Cha Kwo Ling Road, Kowloon Tel:23489211-4 Fax:(852)27727666		
 Tel:0769-83354968 Fax:0769-83359954 E-MAIL ADDRESS:sgstkl@vip.163.COM		
DRAWING TITLE : [1B2-11]		
CAD File Name :		
Designed by		
Drawn by		
Reviewed by		
Approved by		
Scale		
DWG NO.: WW1	- [1B2-11]	REV. 0

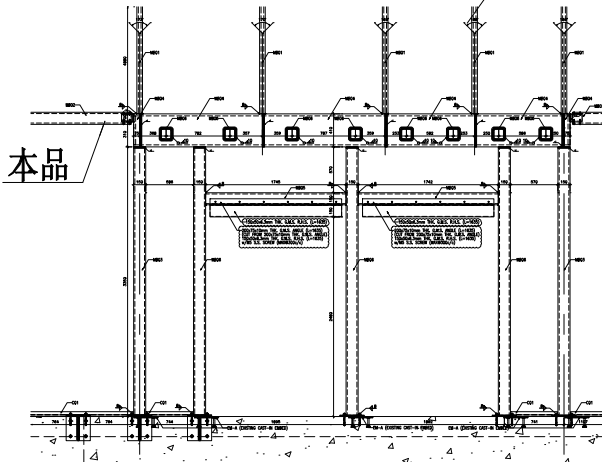
构件编号:	1B2-12	构件数量:	1	构件重量:	126.71
部件编号	规格(mm)	长度(mm)	数量	单重(kg)	共重(kg)
M45	RHS250*150*16.0	1404	1	126.71	126.71
合计:					126.71



构件: 1B2-12

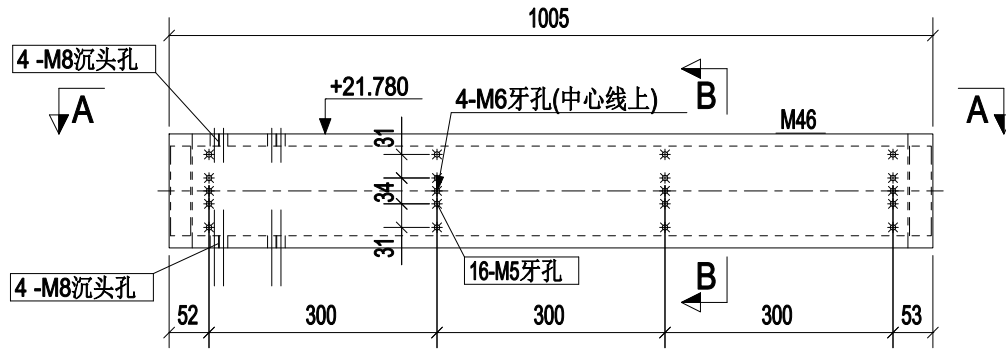


A - A

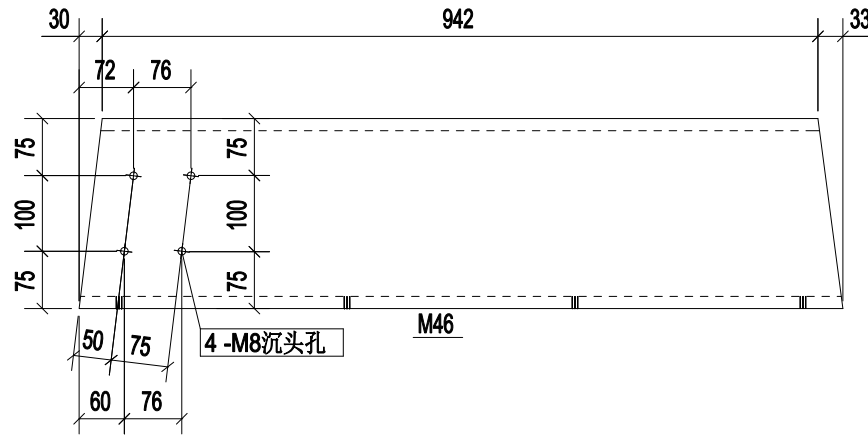


A	第2次报批	2018-11-22
Rev.	Description	Date
PROJECT:		
PROPOSED SITE C1 DEVELOPMENT AT AREA 86, TKOTL 70 RP, TSEUNG KWAN O, NEW TERRITORIES		
CLIENT:		
美特鋁質有限公司 MIDI ALUMINIUM FABRICATOR LTD. Units 6-8, Sunray Industrial Centre, 1/F 510 Cha Kwo Ling Road, Kowloon Tel: 23489211-4 Fax: (852) 27727666		
银同有限公司 Silver Town Limited Tel: 0769-83354968 Fax: 0769-83359954 E-MAIL ADDRESS: sgtstl@vip.163.COM		
DRAWING TITLE :		
[1B2-12]		
CAD File Name :		
Designed by		
Drawn by		
Reviewed by		
Approved by		
Scale		
DWG NO.: WW1	- [1B2-12]	REV. A

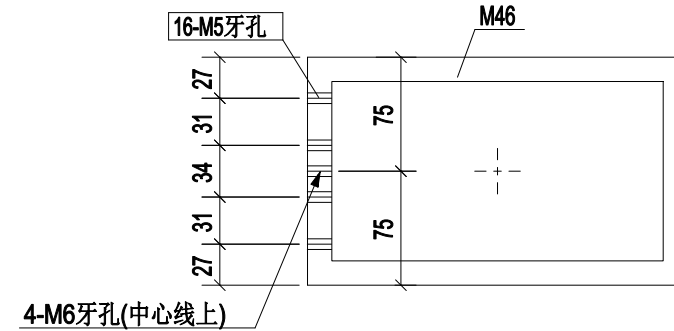
构件编号:	1B2-13	构件数量:	1	构件重量:	90.73	
部件编号	规格(mm)	长度(mm)	数量	单重(kg)	共重(kg)	表面积(m ²)
M46	RHS250*150*16.0	1005	1	90.73	90.73	0.76
				合计:	90.73	



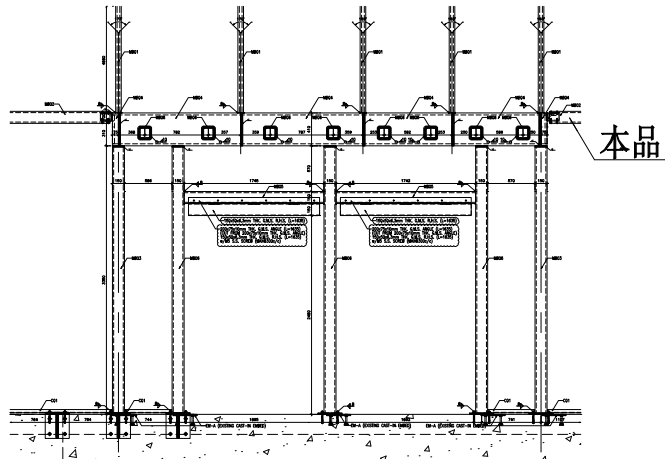
构件: 1B2-13



A - A

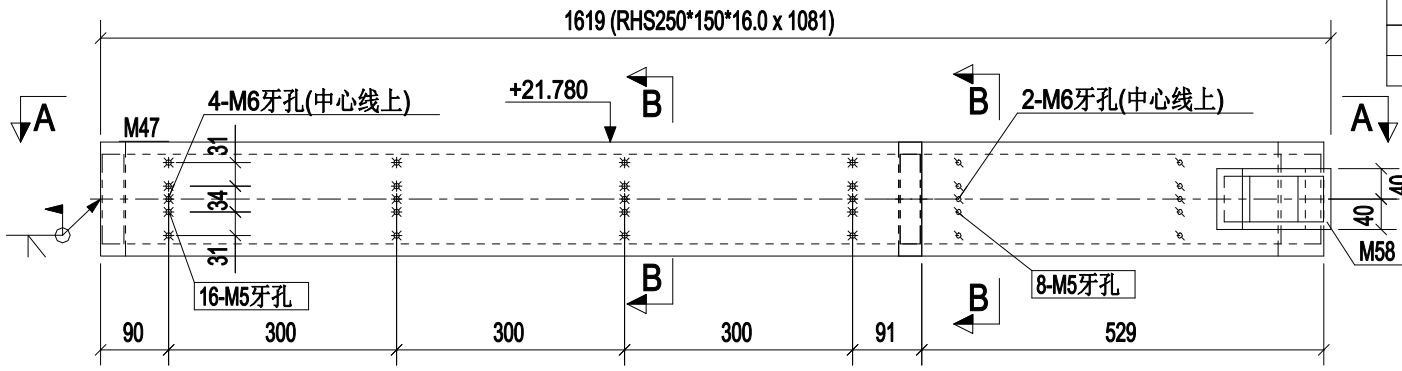


B - B

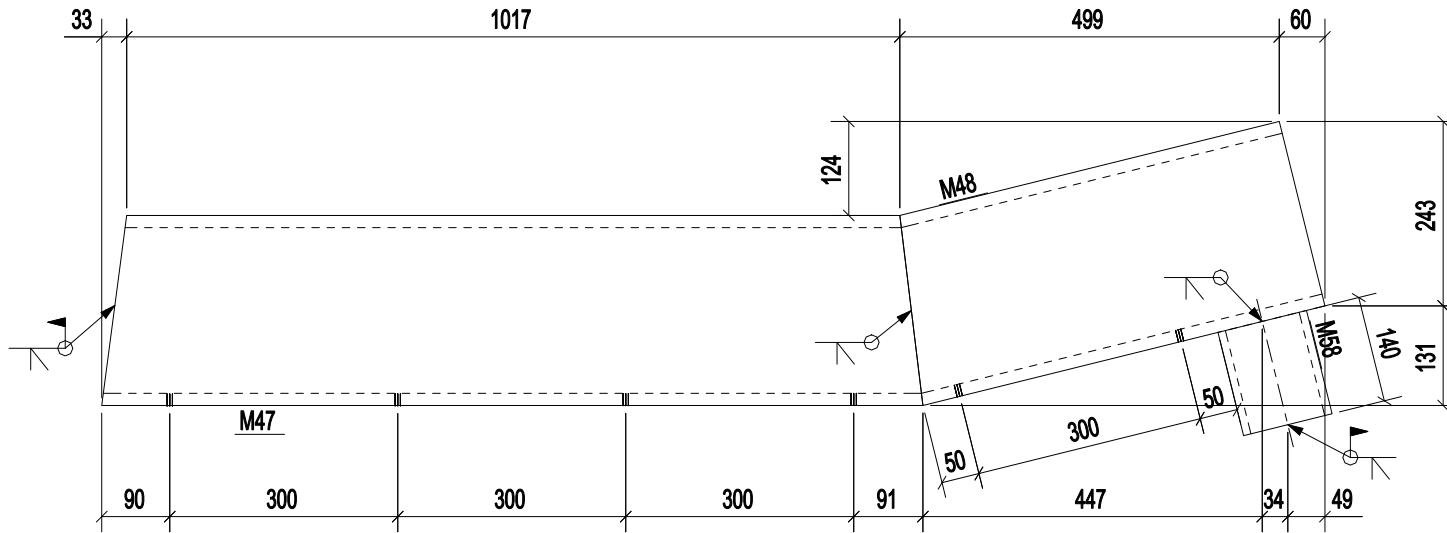
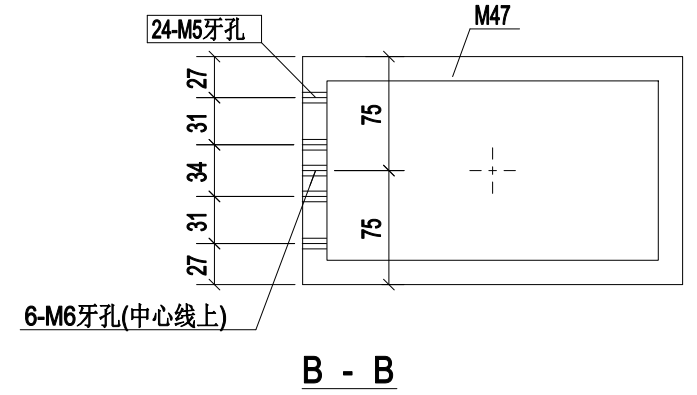


0	第1次报批	2018-11-15
Rev.	Description	Date
PROJECT: PROPOSED SITE C1 DEVELOPMENT AT AREA 86, TKOTL 70 RP, TSEUNG KWAN O, NEW TERRITORIES		
CLIENT: 美特铝质有限公司 MIDI ALUMINIUM FABRICATOR LTD. Units 6-8, Sunray Industrial Centre, 1/F 510 Cha Kwo Ling Road, Kowloon Tel:23489211-4 Fax:(852)27727666		
银同有限公司 Silver Town Limited Tel:0769-83354968 Fax:0769-83359954 E-MAIL ADDRESS:sgsttd@vip.163.COM		
DRAWING TITLE : [1B2-13]		
CAD File Name :		
Designed by		
Drawn by		
Reviewed by		
Approved by		
Scale		
DWG NO.: WW1	- [1B2-13]	REV. 0

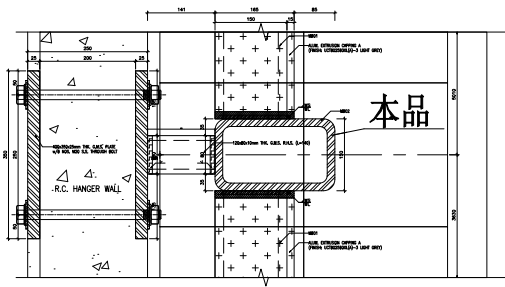
构件编号:	1B2-14	构件数量:	1	构件重量:	150.58	
部件编号	规格(mm)	长度(mm)	数量	单重(kg)	共重(kg)	表面积(m ²)
M47	RHS250*150*16.0	1081	1	97.55	97.55	0.82
M48	RHS250*150*16.0	545	1	49.20	49.20	0.41
M58	RHS120*80*10.0	140	1	3.84	3.84	0.05
				合计:	150.58	



构件: 1B2-14

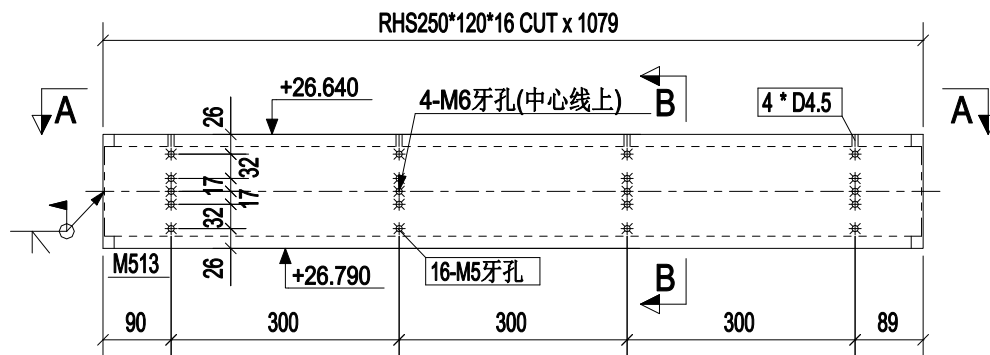


A - A

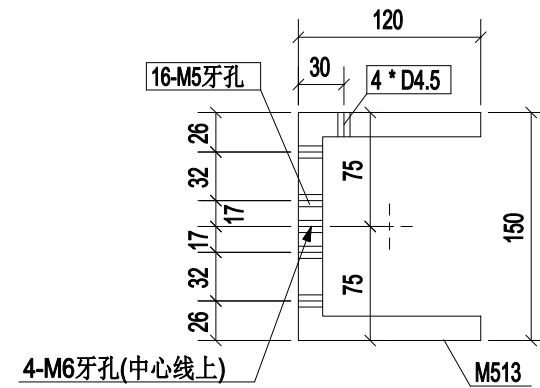


0	第1次报批	2018-11-15
Rev.	Description	Date
PROJECT: PROPOSED SITE C1 DEVELOPMENT AT AREA 86, TKOTL 70 RP, TSEUNG KWAN O, NEW TERRITORIES		
CLIENT: 美特铝质有限公司 MIDI ALUMINIUM FABRICATOR LTD. Units 6-8, Sunray Industrial Centre, 1/F 510 Cha Kwo Ling Road, Kowloon Tel:23489211-4 Fax:(852)27727666		
银同有限公司 Silver Town Limited Tel:0769-83354968 Fax:0769-83359954 E-MAIL ADDRESS:sgsttd@vip.163.COM		

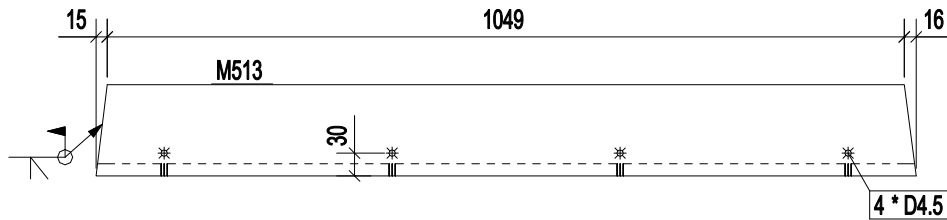
DRAWING TITLE :	
[1B2-14]	
CAD File Name :	
Designed by	
Drawn by	
Reviewed by	
Approved by	
Scale	
DWG NO: WW1 - [1B2-14]	REV. 0



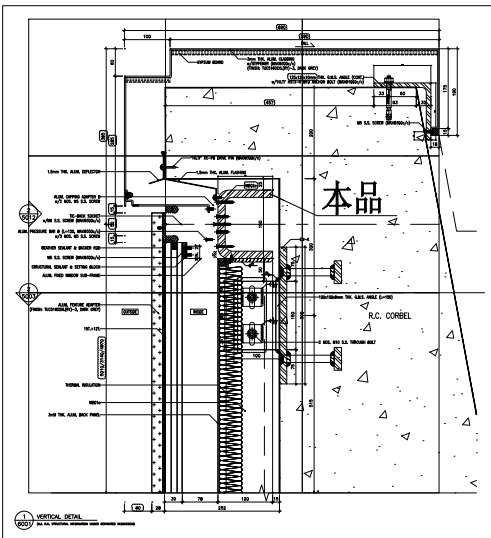
构件: 1B2a-1



B - B



A - A



修改说明: 增加Φ4.5孔。

A	第2次报批	2018-11-22
Rev.	Description	Date

PROJECT:
 PROPOSED SITE C1
 DEVELOPMENT AT AREA 86,
 TKOTL 70 RP, TSEUNG KWAN O,
 NEW TERRITORIES

CLIENT:

 MIDI ALUMINIUM FABRICATOR LTD.
 Units 6-8, Sunray Industrial Centre, 1/F
 510 Cha Kwo Ling Road, Kowloon
 Tel:23489211-4 Fax:(852)27727666

[1B2a-1]

Designed by

Drawn by

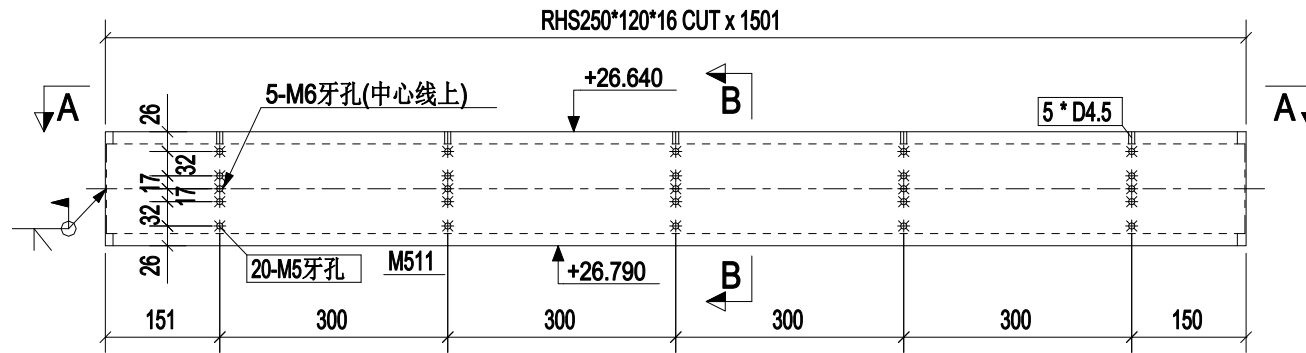
Reviewed by

Approved by

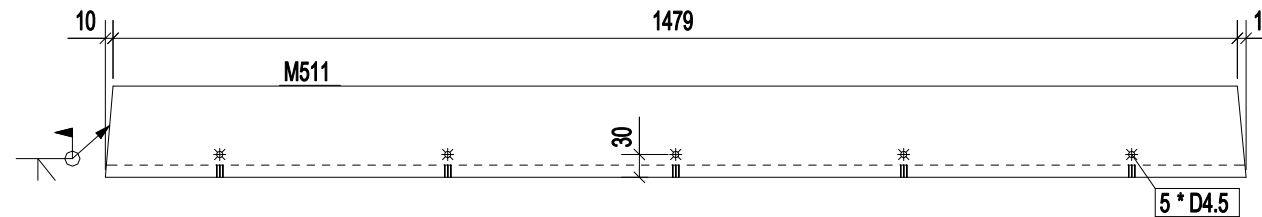
Scale

构件编号:	1B2a-1	构件数量:	2	构件重量:	48.04	
部件编号	规格(mm)	长度(mm)	数量	单重(kg)	共重(kg)	表面积(m ²)
M513	RHS250*120*16 CU	1079	1	48.04	48.04	0.81
合计:				48.04		

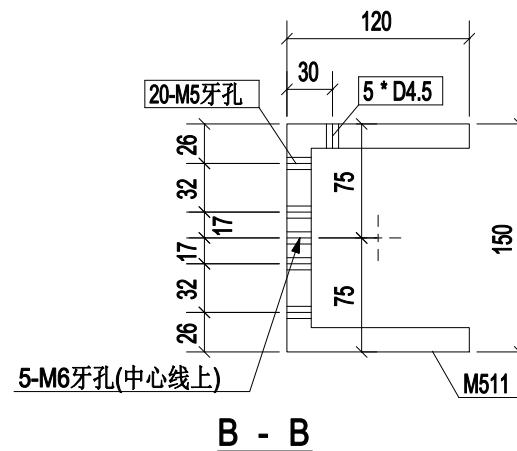
DWG NO:	WW1	-	[1B2a-1]	REV.	A
---------	-----	---	----------	------	---



构件: 1B2a-3

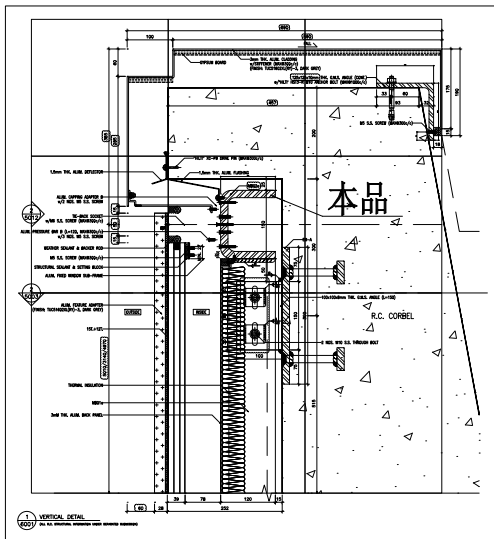


A - A



B - B

修改说明: 增加Φ4.5孔。



构件编号:	1B2a-3	构件数量:	2	构件重量:	67.15	
部件编号	规格(mm)	长度(mm)	数量	单重(kg)	共重(kg)	表面积(m ²)
M511	RHS250*120*16 CU	1501	1	67.15	67.15	1.13
合计:					67.15	

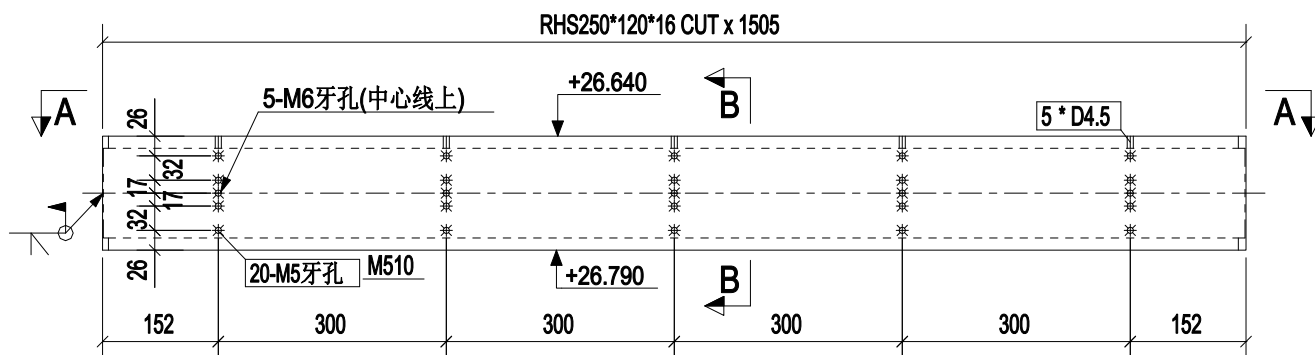
A	第2次报批	2018-11-22
Rev.	Description	Date

PROJECT:
PROPOSED SITE C1
DEVELOPMENT AT AREA 86,
TKOTL 70 RP, TSEUNG KWAN O,
NEW TERRITORIES

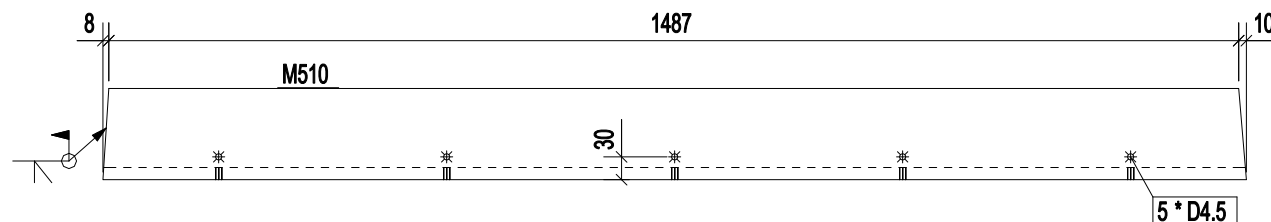
CLIENT:
美特铝质有限公司
MIDI ALUMINIUM FABRICATOR LTD.
Units 6-8, Sunray Industrial Centre, 1/F
510 Cha Kwo Ling Road, Kowloon
Tel:23489211-4 Fax:(852)27727666

[1B2a-3]

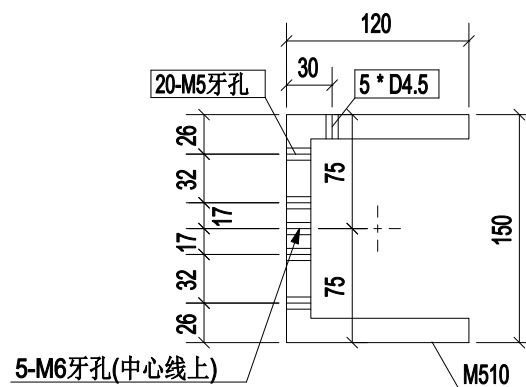
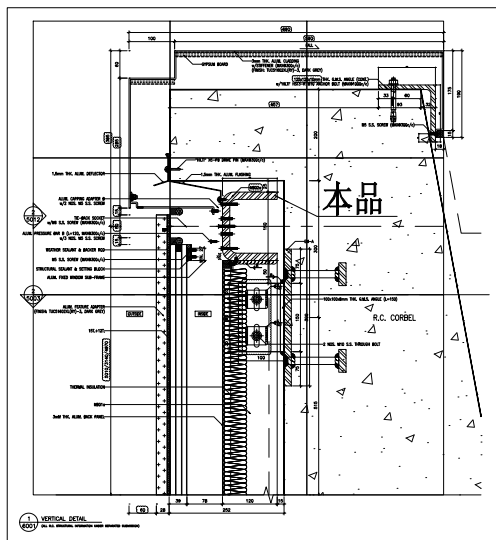
Designed by	
Drawn by	
Reviewed by	
Approved by	
Scale	
DWG NO: WW1	- [1B2a-3]
REV.	A



构件: 1B2a-4



A - A

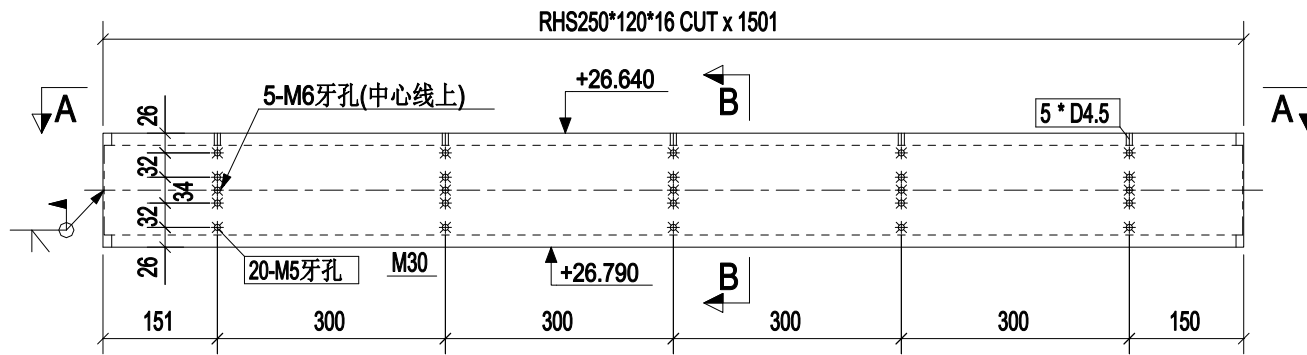


B - B

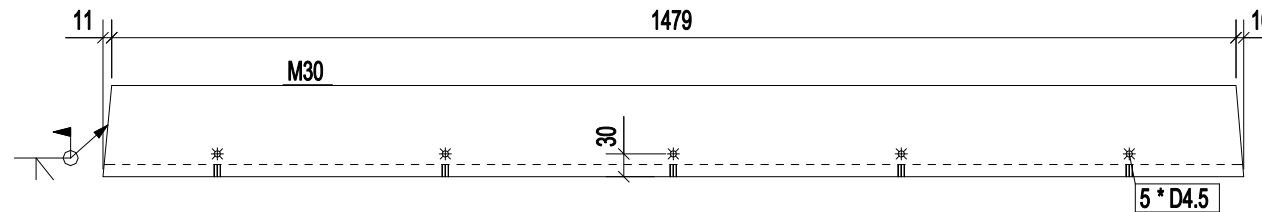
修改说明: 增加Φ4.5孔。

构件编号:	1B2a-4	构件数量:	2	构件重量:	67.37	
部件编号	规格(mm)	长度(mm)	数量	单重(kg)	共重(kg)	表面积(m ²)
M510	RHS250*120*16 CU	1505	1	67.37	67.37	1.13
合计:					67.37	

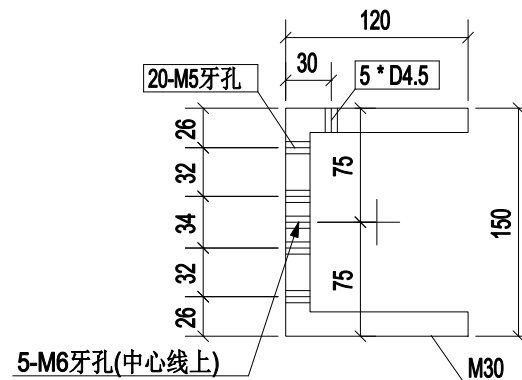
A	第2次报批	2018-11-22
Rev.	Description	Date
PROJECT: PROPOSED SITE C1 DEVELOPMENT AT AREA 86, TKOTL 70 RP, TSEUNG KWAN O, NEW TERRITORIES		
CLIENT: 美特铝质有限公司 MIDI ALUMINIUM FABRICATOR LTD. Units 6-8, Sunray Industrial Centre, 1/F 510 Cha Kwo Ling Road, Kowloon Tel:23489211-4 Fax:(852)27727666		
[1B2a-4]		
Designed by		
Drawn by		
Reviewed by		
Approved by		
Scale		
DWG NO:	WW1 - [1B2a-4]	REV. A



构件: 1B2a-5

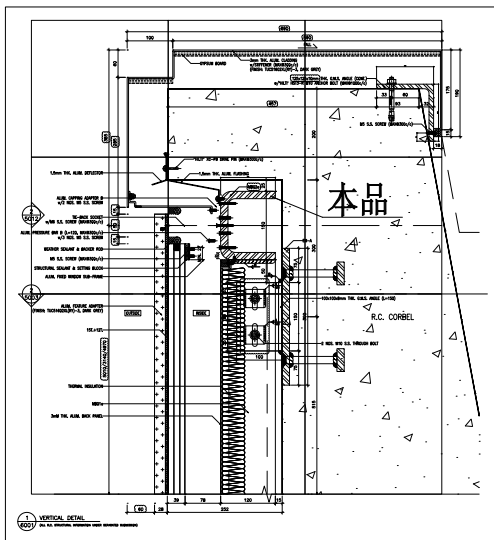


A - A



B - B

修改说明: 增加Φ4.5孔。



A	第2次报批	2018-11-22
Rev.	Description	Date

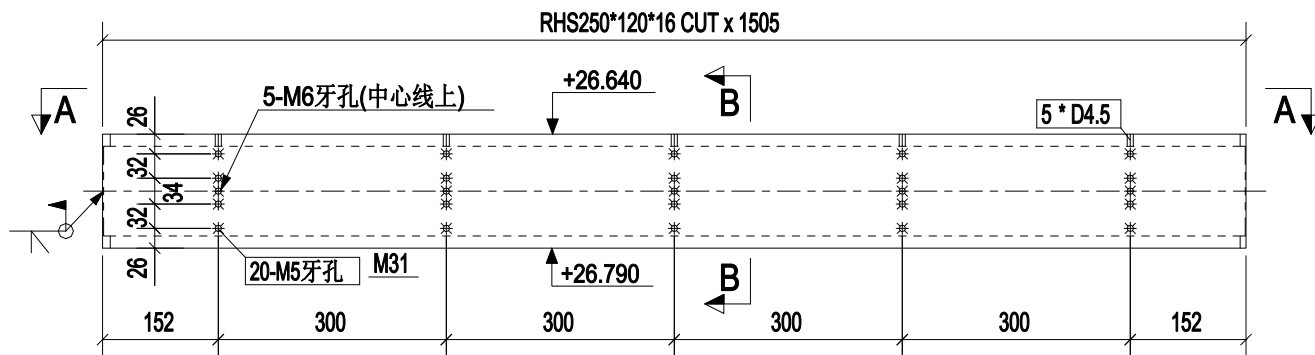
PROJECT:
PROPOSED SITE C1
DEVELOPMENT AT AREA 86,
TKOTL 70 RP, TSEUNG KWAN O,
NEW TERRITORIES

CLIENT:
美特铝质有限公司
MIDI ALUMINIUM FABRICATOR LTD.
Units 6-8, Sunray Industrial Centre, 1/F
510 Cha Kwo Ling Road, Kowloon
Tel:23489211-4 Fax:(852)27727666

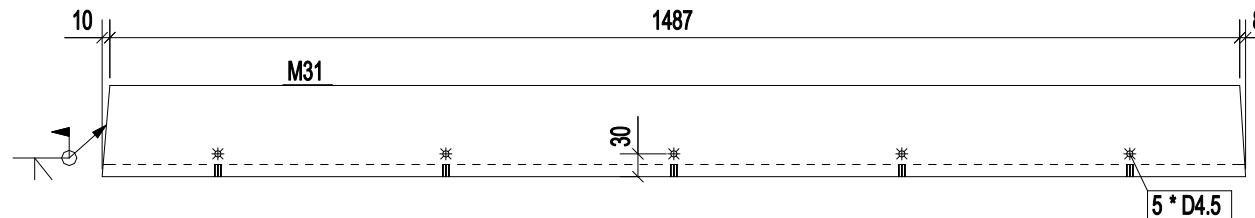
[1B2a-5]

Designed by	
Drawn by	
Reviewed by	
Approved by	
Scale	
DWG NO: WW1	- [1B2a-5]
REV.	A

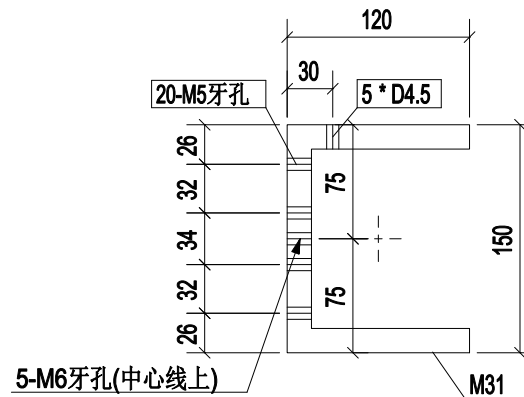
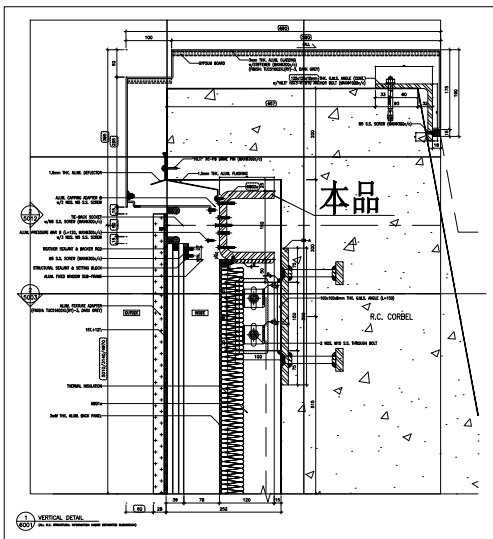
构件编号:	1B2a-5	构件数量:	2	构件重量:	67.15	
部件编号	规格(mm)	长度(mm)	数量	单重(kg)	共重(kg)	表面积(m ²)
M30	RHS250*120*16 CU	1501	1	67.15	67.15	1.13
合计:					67.15	



构件: 1B2a-6



A - A



B - B

修改说明: 增加Φ4.5孔。

构件编号:	1B2a-6	构件数量:	2	构件重量:	67.37	
部件编号	规格(mm)	长度(mm)	数量	单重(kg)	共重(kg)	表面积(m ²)
M31	RHS250*120*16 CU	1505	1	67.37	67.37	1.13
合计:					67.37	

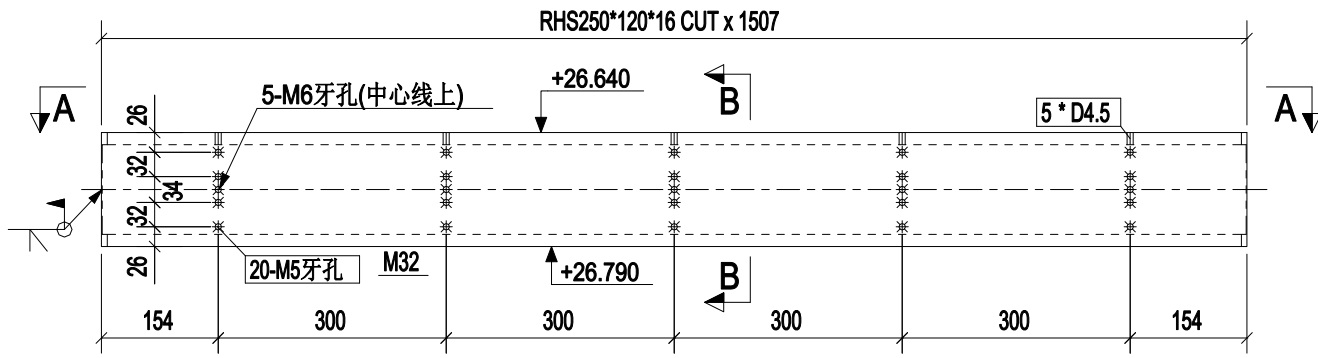
A	第2次报批	2018-11-22
Rev.	Description	Date

PROJECT: PROPOSED SITE C1 DEVELOPMENT AT AREA 86, TKOTL 70 RP, TSEUNG KWAN O, NEW TERRITORIES

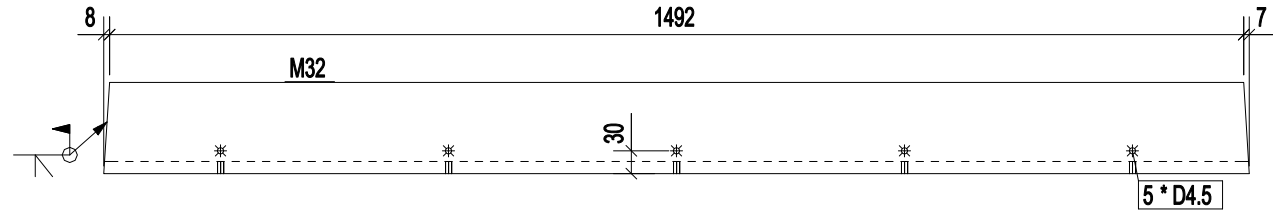
CLIENT: 美特铝质有限公司
MIDI ALUMINIUM FABRICATOR LTD.
Units 6-8, Sunray Industrial Centre, 1/F
510 Cha Kwo Ling Road, Kowloon
Tel:23489211-4 Fax:(852)27727666

[1B2a-6]

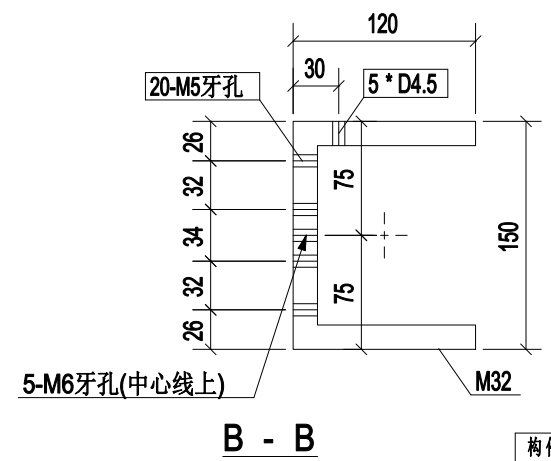
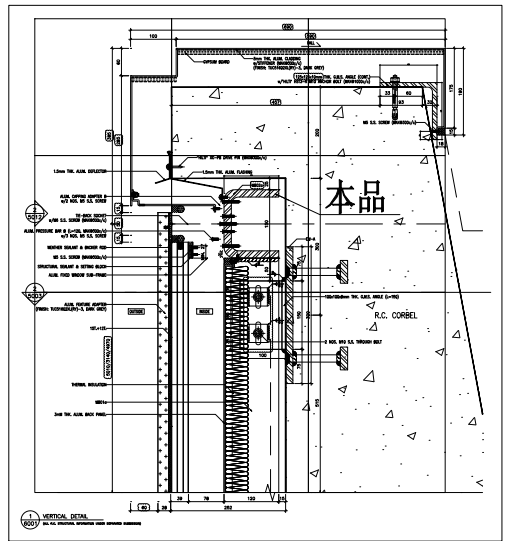
Designed by	
Drawn by	
Reviewed by	
Approved by	
Scale	
DWG NO: WW1	- [1B2a-6]
REV.	A



构件: 1B2a-7



A - A



B - B

修改说明: 增加Φ4.5孔。

A	第2次报批	2018-11-22
Rev.	Description	Date

PROJECT: PROPOSED SITE C1 DEVELOPMENT AT AREA 86, TKOTL 70 RP, TSEUNG KWAN O, NEW TERRITORIES

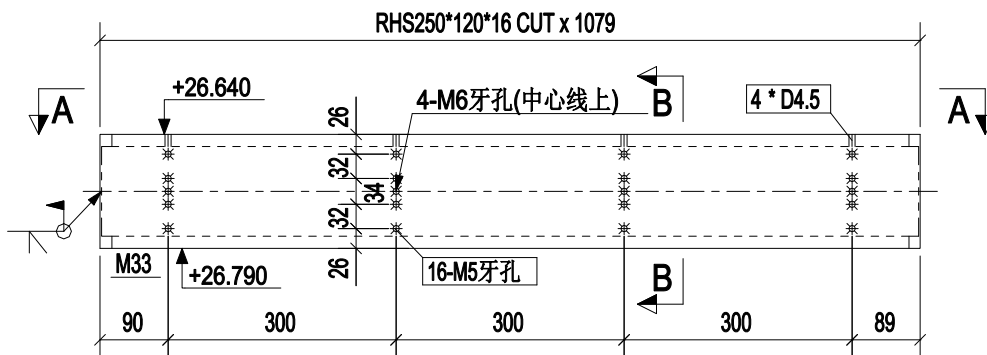
CLIENT: 美特鋁質有限公司
MIDI ALUMINIUM FABRICATOR LTD.
Units 6-8, Sunray Industrial Centre, 1/F
510 Cha Kwo Ling Road, Kowloon
Tel:23489211-4 Fax:(852)27727666

[1B2a-7]

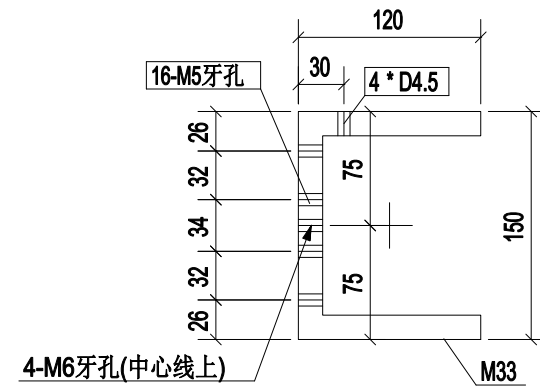
Designed by
Drawn by
Reviewed by
Approved by
Scale

构件编号:	1B2a-7	构件数量:	4	构件重量:	67.54	
部件编号	规格(mm)	长度(mm)	数量	单重(kg)	共重(kg)	表面积(m ²)
M32	RHS250*120*16 CU	1507	1	67.54	67.54	1.13
合计:					67.54	

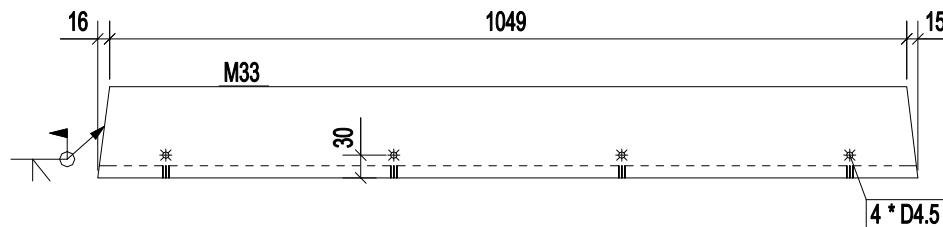
DWG NO:	WW1 - [1B2a-7]	REV.	A
---------	----------------	------	---



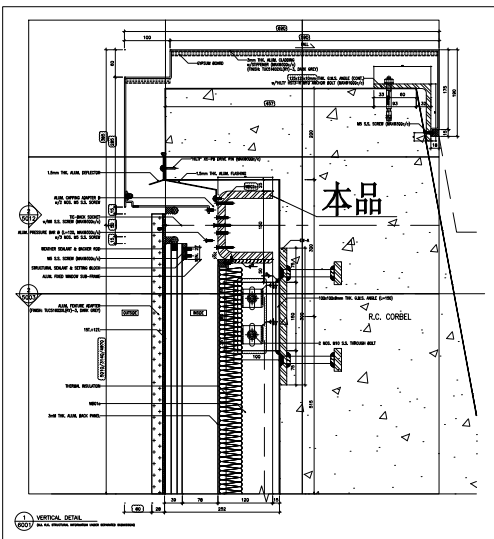
构件: 1B2a-8



B - B



A - A



修改说明: 增加Φ4.5孔。

A	第2次报批	2018-11-22
Rev.	Description	Date

PROJECT: PROPOSED SITE C1 DEVELOPMENT AT AREA 86, TKOTL 70 RP, TSEUNG KWAN O, NEW TERRITORIES

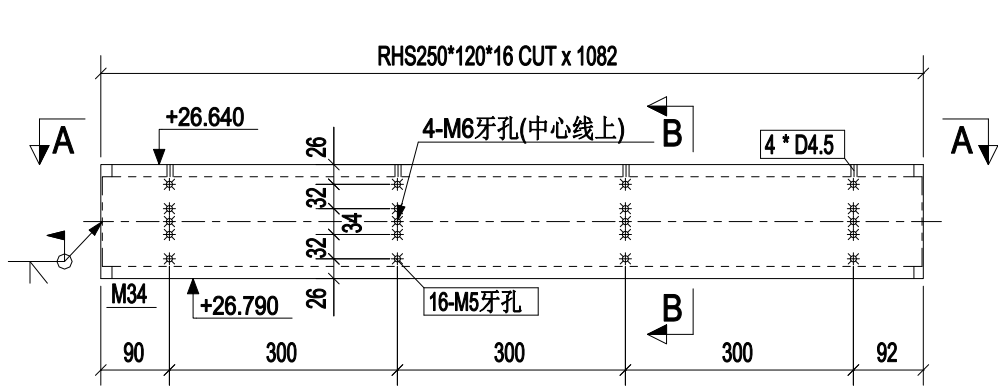
CLIENT: 美特鋁質有限公司
MIDI ALUMINIUM FABRICATOR LTD.
Units 6-8, Sunray Industrial Centre, 1/F
510 Cha Kwo Ling Road, Kowloon
Tel:23489211-4 Fax:(852)27727666

[1B2a-8]

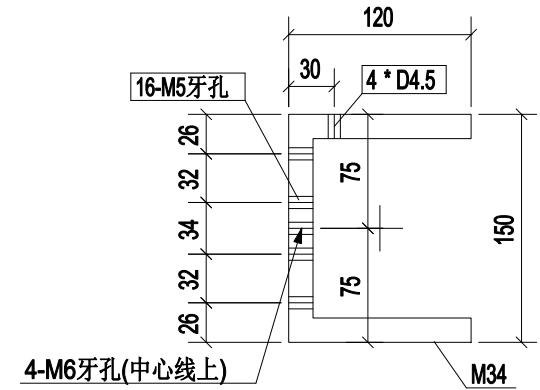
Designed by	
Drawn by	
Reviewed by	
Approved by	
Scale	

构件编号:	1B2a-8	构件数量:	2	构件重量:	48.04	
部件编号	规格(mm)	长度(mm)	数量	单重(kg)	共重(kg)	表面积(m ²)
M33	RHS250*120*16 CU	1079	1	48.04	48.04	0.81
合计:				48.04		

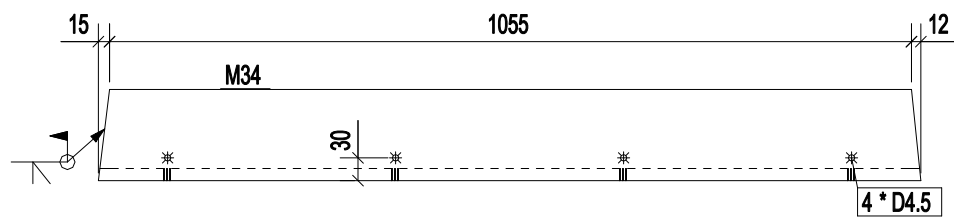
DWG NO: WW1 - [1B2a-8] REV. A



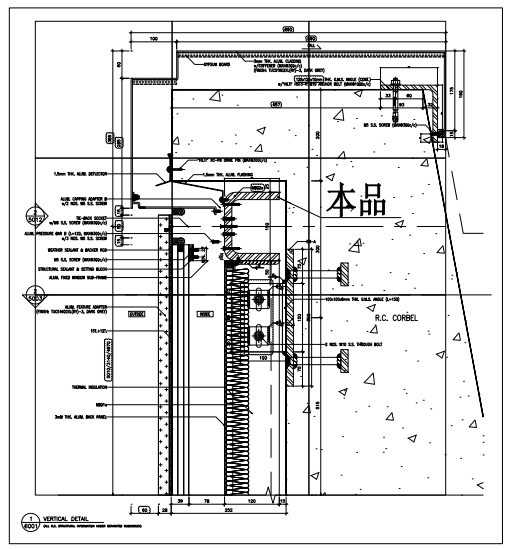
构件: 1B2a-9



B - B



A - A



修改说明: 增加Φ4.5孔。

A	第2次报批	2018-11-22
Rev.	Description	Date

PROJECT:
PROPOSED SITE C1
DEVELOPMENT AT AREA 86,
TKOTL 70 RP, TSEUNG KWAN O,
NEW TERRITORIES

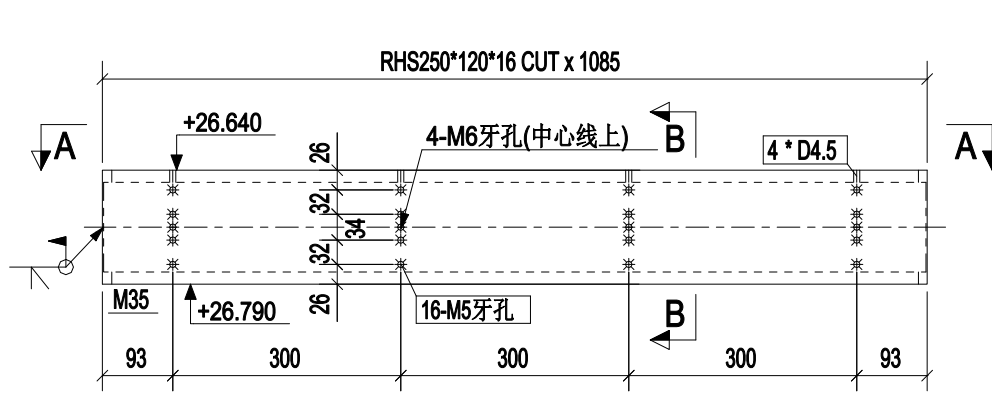
CLIENT:
美特鋁質有限公司
MIDI ALUMINIUM FABRICATOR LTD.
Units 6-8, Sunray Industrial Centre, 1/F
510 Cha Kwo Ling Road, Kowloon
Tel:23489211-4 Fax:(852)27727666

[1B2a-9]

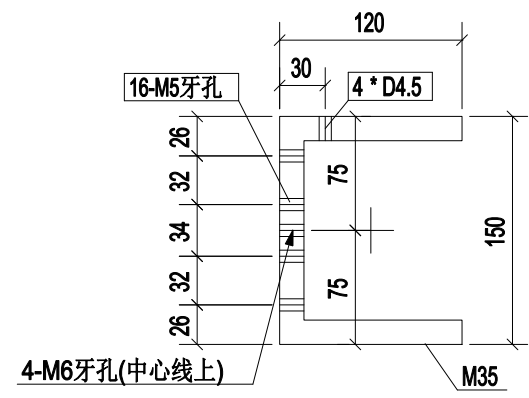
Designed by
Drawn by
Reviewed by
Approved by
Scale

构件编号:	1B2a-9	构件数量:	2	构件重量:	48.23	
部件编号	规格(mm)	长度(mm)	数量	单重(kg)	共重(kg)	表面积(m ²)
M34	RHS250*120*16 CU	1082	1	48.23	48.23	0.81
合计:				48.23		

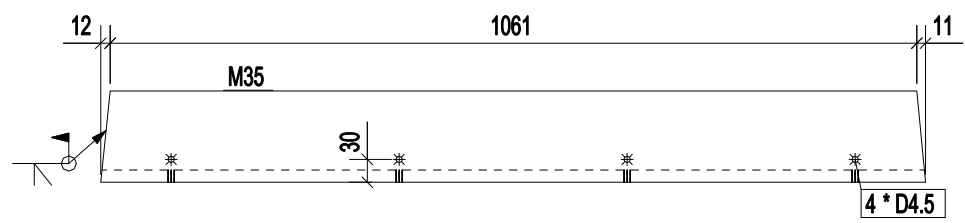
DWG NO:	WW1	-	[1B2a-9]	REV.	A
---------	-----	---	----------	------	---



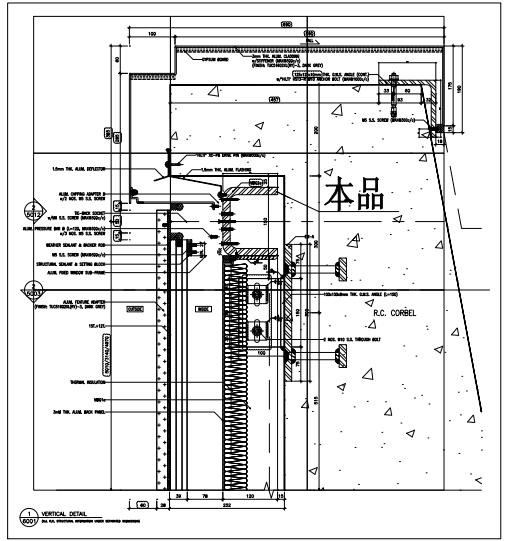
构件: 1B2a-10



B - B



A - A



修改说明: 增加Φ4.5孔。

A	第2次报批	2018-11-22
Rev.	Description	Date

PROJECT: PROPOSED SITE C1 DEVELOPMENT AT AREA 86, TKOTL 70 RP, TSEUNG KWAN O, NEW TERRITORIES

CLIENT: 美特鋁質有限公司
MIDI ALUMINIUM FABRICATOR LTD.
Units 6-8, Sunray Industrial Centre, 1/F
510 Cha Kwo Ling Road, Kowloon
Tel:23489211-4 Fax:(852)27727666

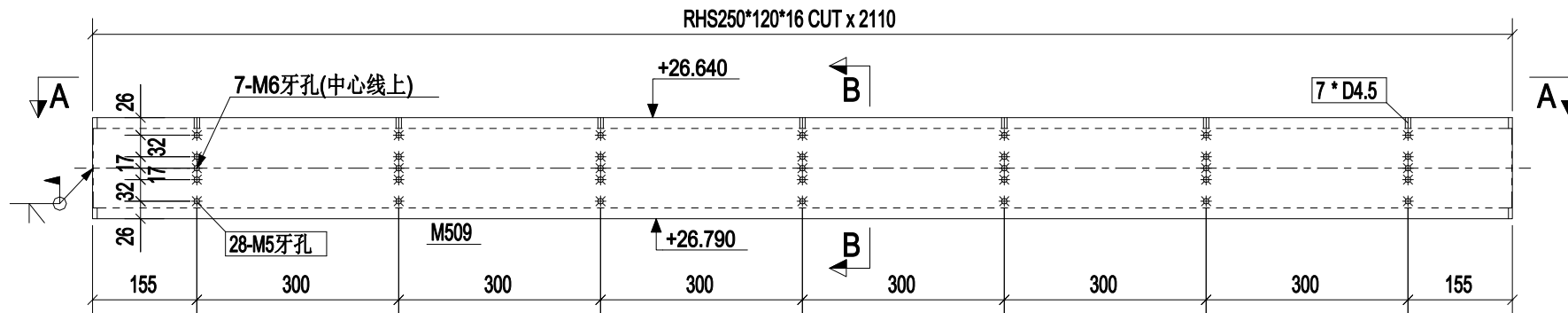
[1B2a-10]

Designed by
Drawn by
Reviewed by
Approved by
Scale

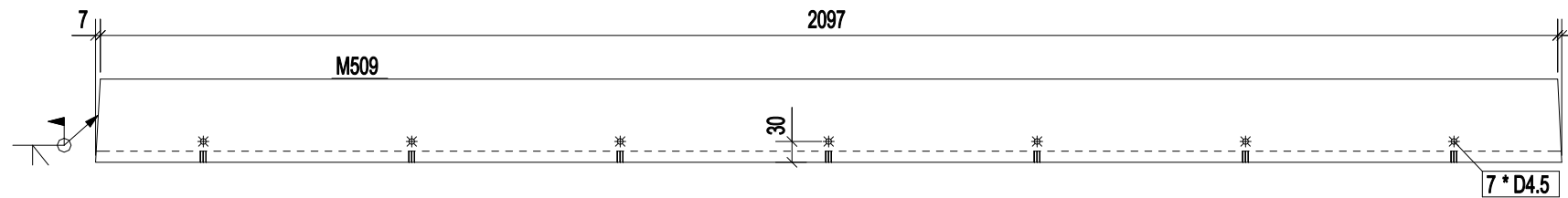
构件编号:	1B2a-10	构件数量:	4	构件重量:	48.42	
部件编号	规格(mm)	长度(mm)	数量	单重(kg)	共重(kg)	表面积(m ²)
M35	RHS250*120*16 CU	1085	1	48.42	48.42	0.82
合计:				48.42		

DWG NO:	WW1	-	[1B2a-10]	REV.	A
---------	-----	---	-----------	------	---

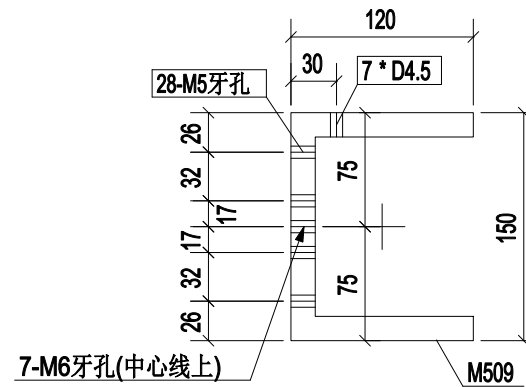
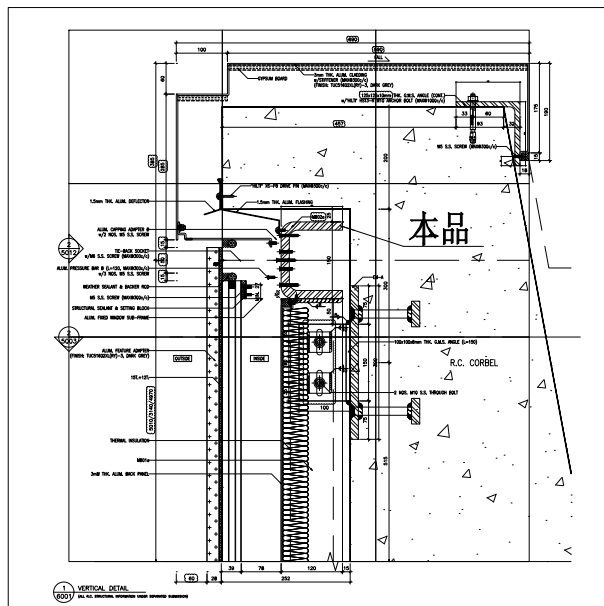
说明：因增加Φ4.5孔而变出来的新编号。



构件： 1B2a-11



A - A

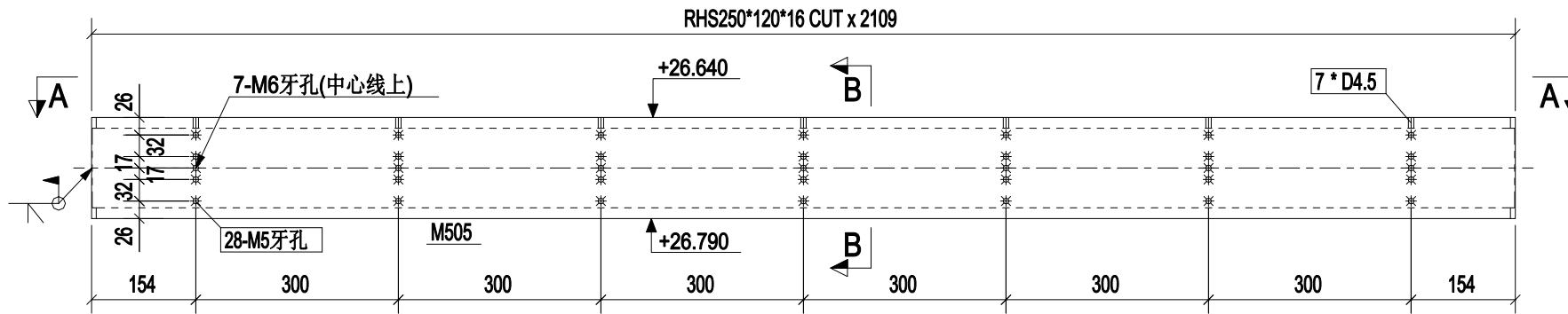


B - B

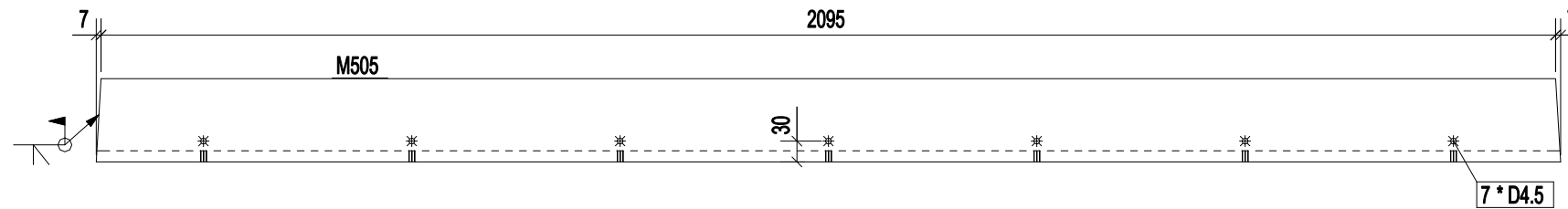
构件编号:	1B2a-11	构件数量:	2	构件重量:	94.68	
部件编号	规格(mm)	长度(mm)	数量	单重(kg)	共重(kg)	表面积(m ²)
M509	RHS250*120*16 CU	2110	1	94.68	94.68	1.59
合计:				94.68		

0	第1次报批	2018-11-22
Rev.	Description	Date
PROJECT: PROPOSED SITE C1 DEVELOPMENT AT AREA 86, TKOTL 70 RP, TSEUNG KWAN O, NEW TERRITORIES		
CLIENT: 美特铝质有限公司 MIDI ALUMINIUM FABRICATOR LTD. Units 6-8, Sunray Industrial Centre, 1/F 510 Cha Kwo Ling Road, Kowloon Tel:23489211-4 Fax:(852)27727666		
[1B2a-11]		
Designed by		
Drawn by		
Reviewed by		
Approved by		
Scale		
DWG NO:	WW1 - [1B2a-11]	REV. 0

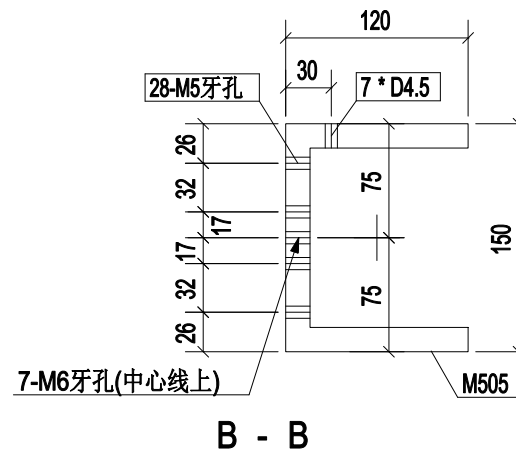
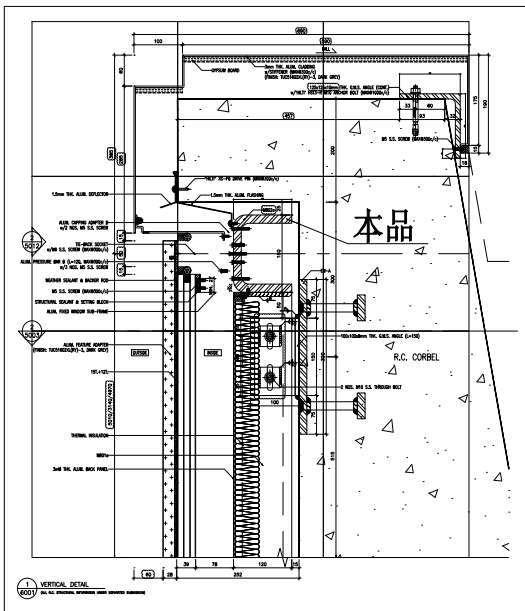
说明：因增加Φ4.5孔而变出来的新编号。



构件： 1B2a-12



A - A



B - B

0	第1次报批	2018-11-22
Rev.	Description	Date

PROJECT: PROPOSED SITE C1 DEVELOPMENT AT AREA 86, TKOTL 70 RP, TSEUNG KWAN O, NEW TERRITORIES

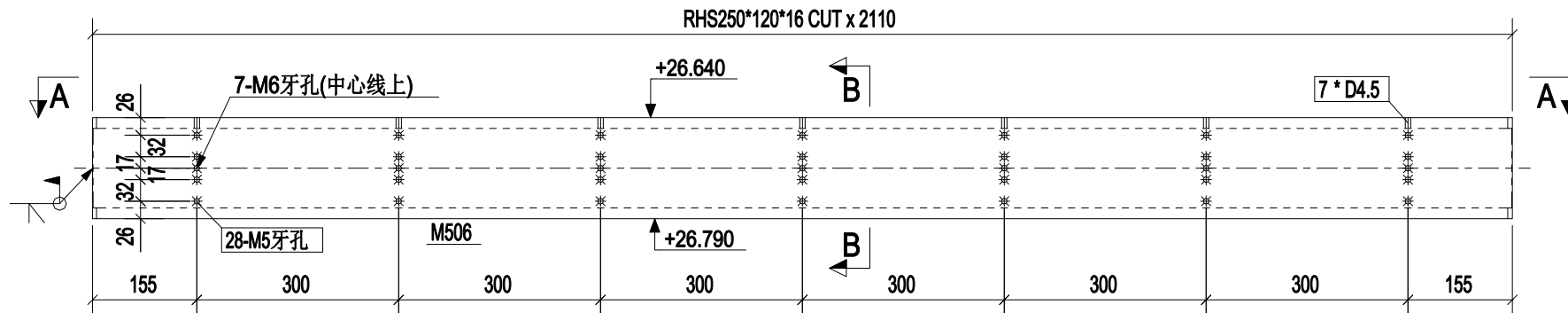
CLIENT: 美特鋁質有限公司
MIDI ALUMINIUM FABRICATOR LTD.
Units 6-8, Sunray Industrial Centre, 1/F
510 Cha Kwo Ling Road, Kowloon
Tel:23489211-4 Fax:(852)27727666

[1B2a-12]

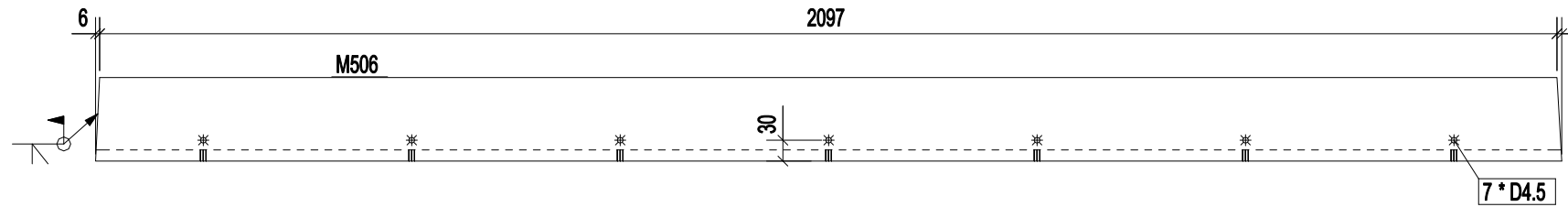
Designed by	
Drawn by	
Reviewed by	
Approved by	
Scale	
DWG NO: WW1	- [1B2a-12]
REV.	0

构件编号:	1B2a-12	构件数量:	4	构件重量:	94.59	
部件编号	规格(mm)	长度(mm)	数量	单重(kg)	共重(kg)	表面积(m ²)
M505	RHS250*120*16 CU	2109	1	94.59	94.59	1.58
合计:					94.59	

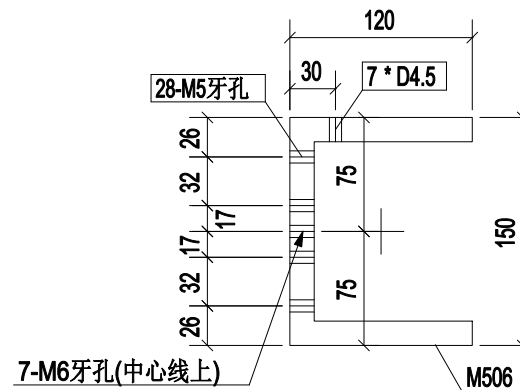
说明：因增加Φ4.5孔而变出来的新编号。



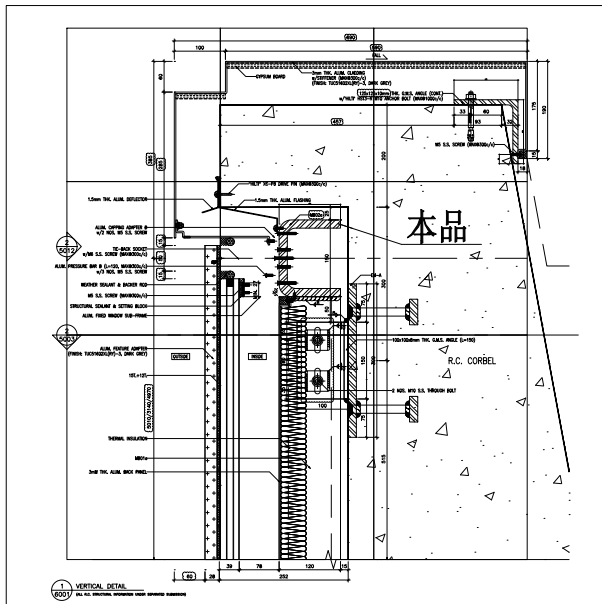
构件： 1B2a-13



A - A



B - B



0	第1次报批	2018-11-22
Rev.	Description	Date

PROJECT:
PROPOSED SITE C1
DEVELOPMENT AT AREA 86,
TKOTL 70 RP, TSEUNG KWAN O,
NEW TERRITORIES

CLIENT:
美特铝质有限公司
MIDI ALUMINIUM FABRICATOR LTD.
Units 6-8, Sunray Industrial Centre, 1/F
510 Cha Kwo Ling Road, Kowloon
Tel:23489211-4 Fax:(852)27727666

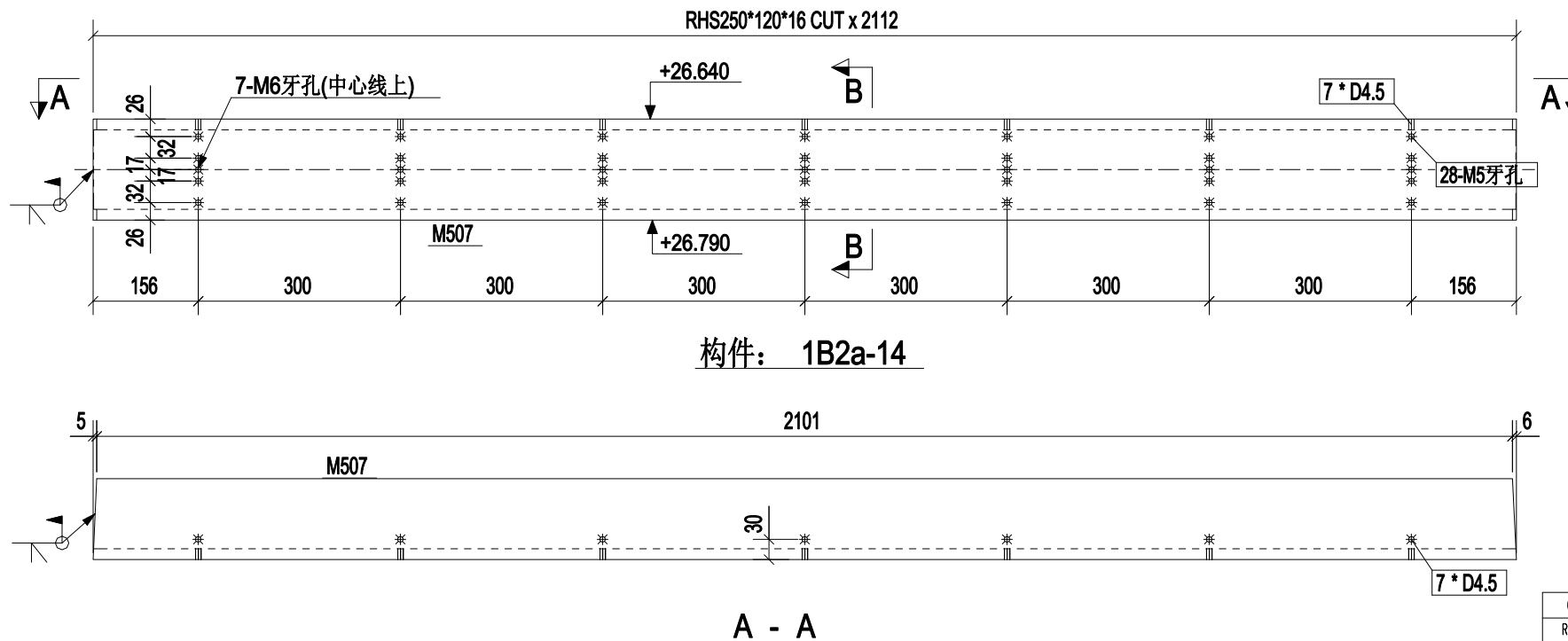
[1B2a-13]

Designed by	
Drawn by	
Reviewed by	
Approved by	
Scale	

构件编号:	1B2a-13	构件数量:	2	构件重量:	94.68	
部件编号	规格(mm)	长度(mm)	数量	单重(kg)	共重(kg)	表面积(m ²)
M506	RHS250*120*16 CU	2110	1	94.68	94.68	1.59
				合计:	94.68	

DWG NO:	WW1	- [1B2a-13]	REV.	0
---------	-----	-------------	------	---

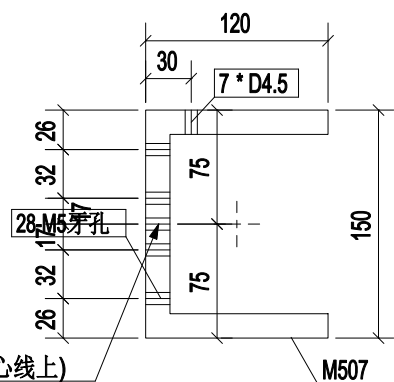
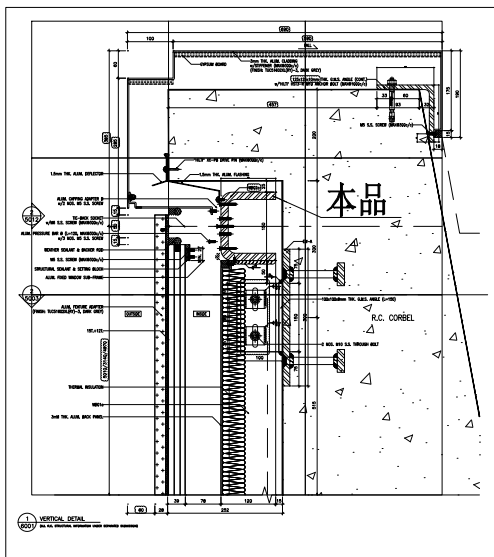
说明：因增加Φ4.5孔而变出来的新编号。



构件：1B2a-14

A - A

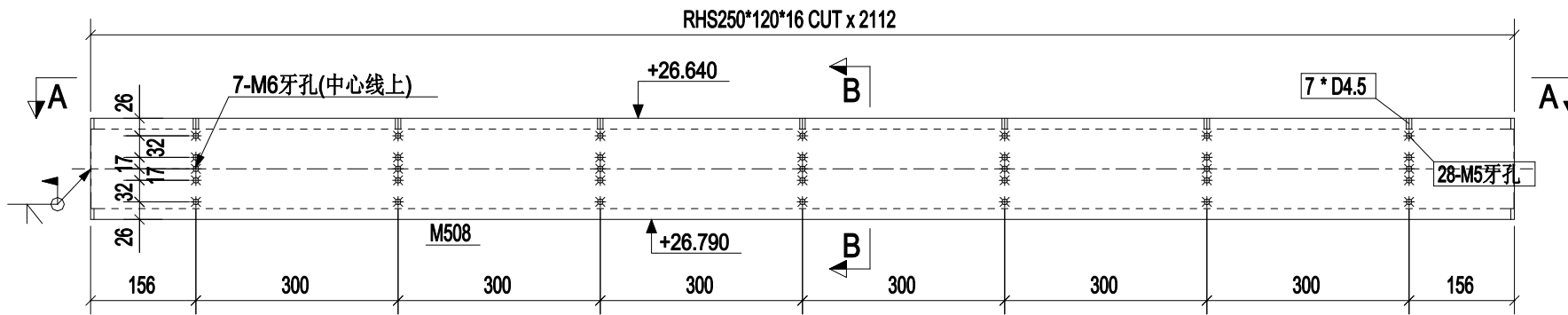
B - B



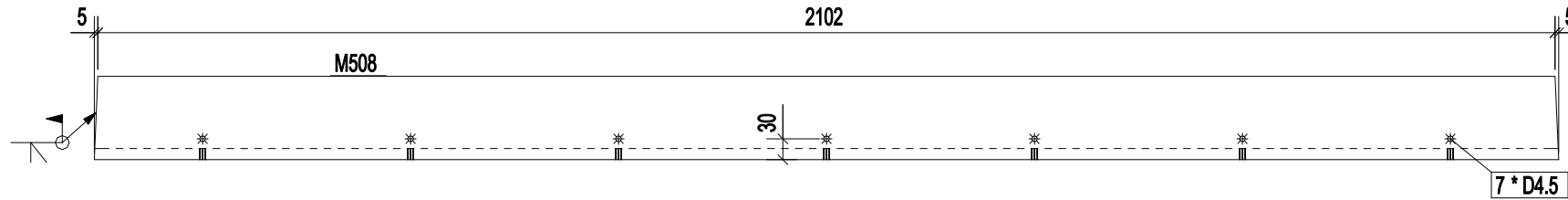
0	第1次报批	2018-11-22
Rev.	Description	Date
PROJECT: PROPOSED SITE C1 DEVELOPMENT AT AREA 86, TKOTL 70 RP, TSEUNG KWAN O, NEW TERRITORIES		
CLIENT: 美特铝质有限公司 MIDI ALUMINIUM FABRICATOR LTD. Units 6-8, Sunray Industrial Centre, 1/F 510 Cha Kwo Ling Road, Kowloon Tel:23489211-4 Fax:(852)27727666		
[1B2a-14]		
Designed by		
Drawn by		
Reviewed by		
Approved by		
Scale		
DWG NO:	WW1 - [1B2a-14]	REV. 0

构件编号:	1B2a-14	构件数量:	4	构件重量:	94.77	
部件编号	规格(mm)	长度(mm)	数量	单重(kg)	共重(kg)	表面积(m ²)
M507	RHS250*120*16 CU	2112	1	94.77	94.77	1.59
合计:					94.77	

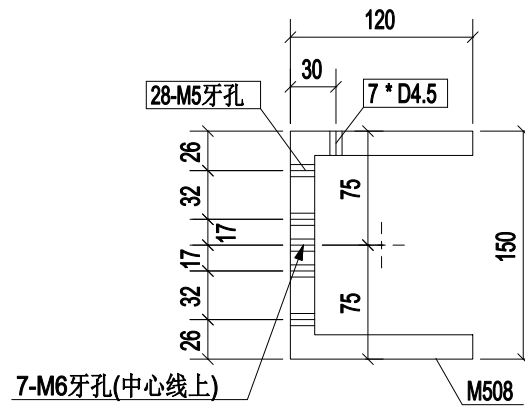
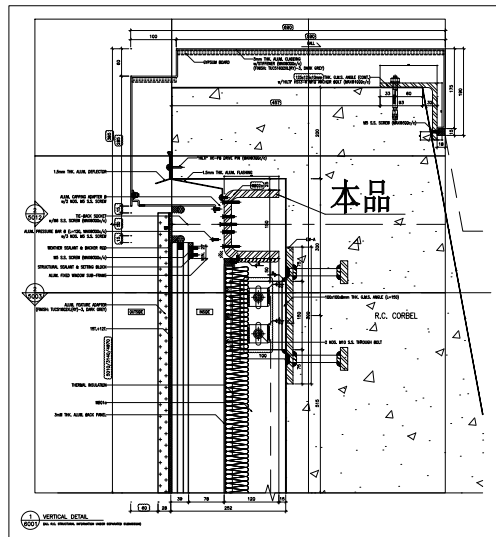
说明：因增加Φ4.5孔而变出来的新编号。



构件： 1B2a-15



A - A



B - B

构件编号:	1B2a-15	构件数量:	6	构件重量:	94.82	
部件编号	规格(mm)	长度(mm)	数量	单重(kg)	共重(kg)	表面积(m ²)
M508	RHS250*120*16 CU	2112	1	94.82	94.82	1.59
合计:				94.82		

0	第1次报批	2018-11-22
Rev.	Description	Date

PROJECT:
PROPOSED SITE C1
DEVELOPMENT AT AREA 86,
TKOTL 70 RP, TSEUNG KWAN O,
NEW TERRITORIES

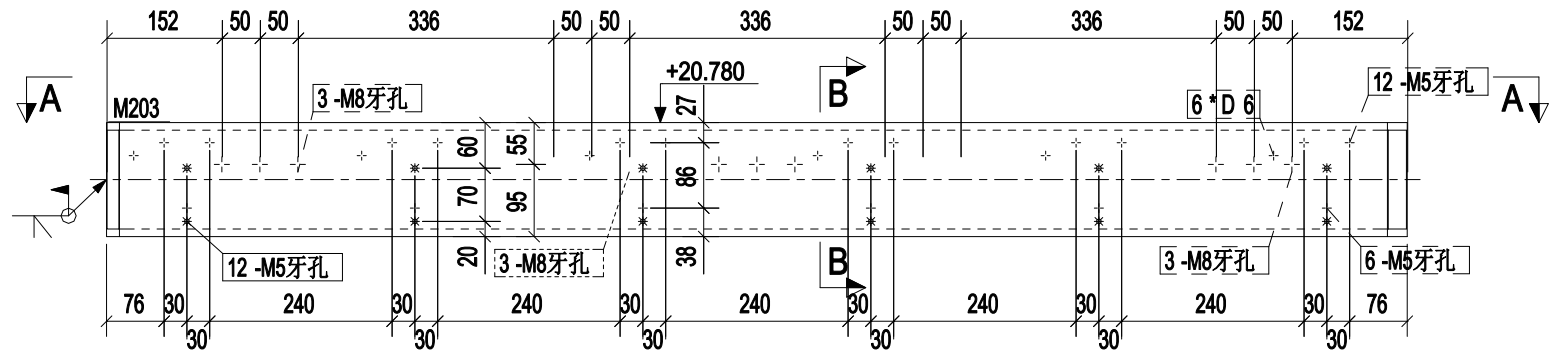
CLIENT:
美特铝质有限公司
MIDI ALUMINIUM FABRICATOR LTD.
Units 6-8, Sunray Industrial Centre, 1/F
510 Cha Kwo Ling Road, Kowloon
Tel:23489211-4 Fax:(852)27727666

[1B2a-15]

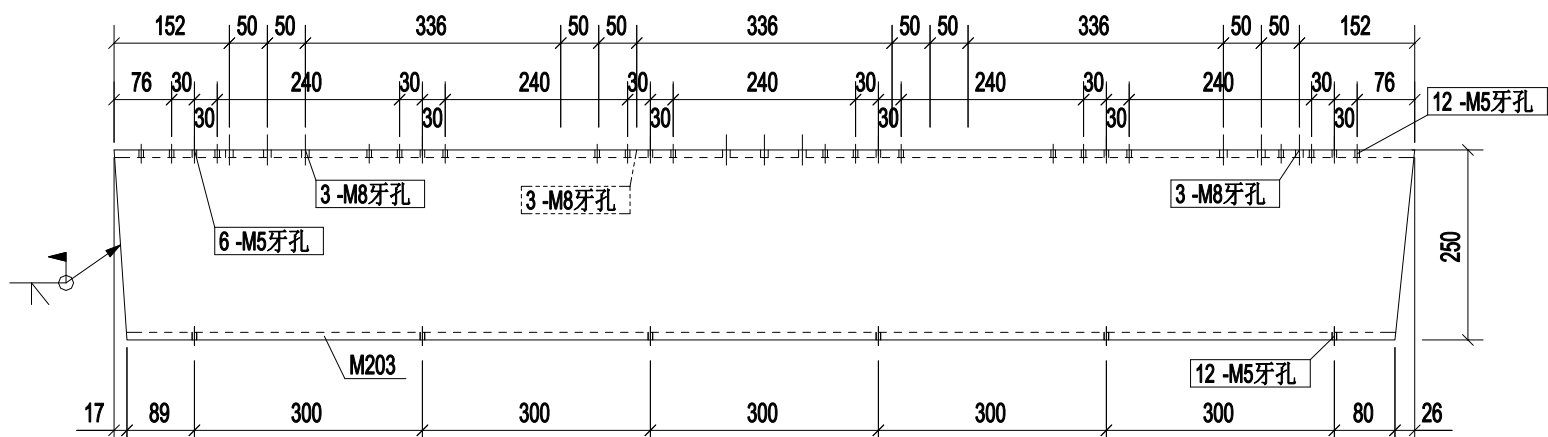
Designed by	
Drawn by	
Reviewed by	
Approved by	
Scale	
DWG NO:	WW1 - [1B2a-15]
REV.	0

构件编号:	1B5-1	构件数量:	1	构件重量:	100.63	
部件编号	规格(mm)	长度(mm)	数量	单重(kg)	共重(kg)	表面积(m ²)
M203	RHS250*150*10.0	1711	1	100.63	100.63	1.32
合计:					100.63	

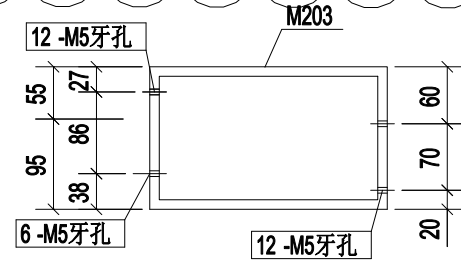
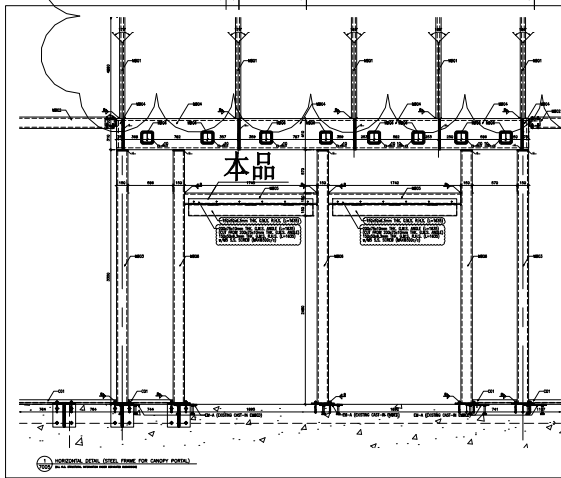
HOLD



构件: 1B5-1



A - A

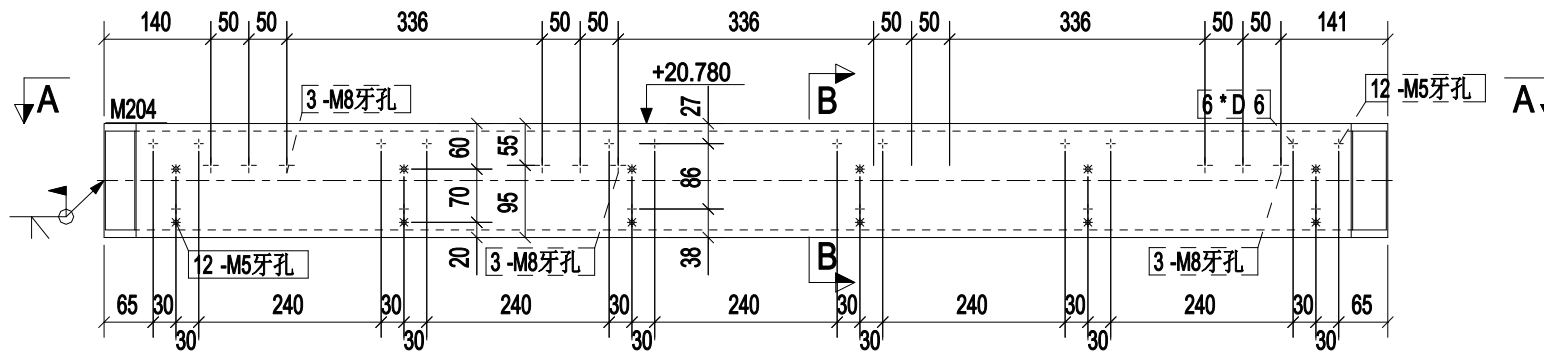


B - B

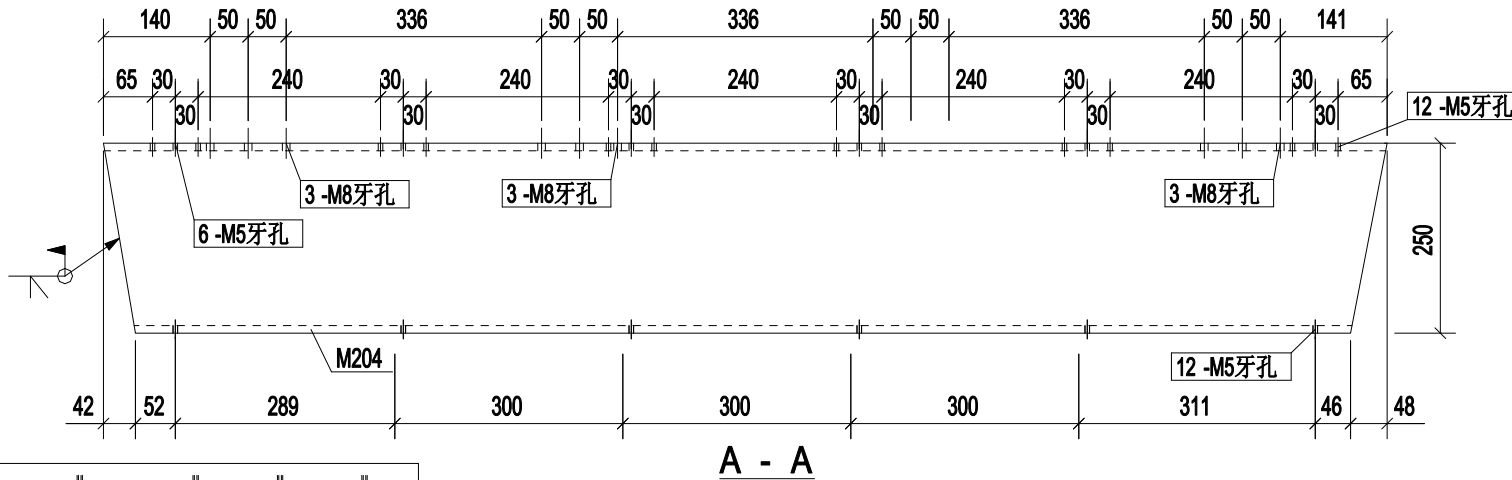
0	第1次报批	2018-11-15
Rev.	Description	Date
PROJECT: PROPOSED SITE C1 DEVELOPMENT AT AREA 86, TKOTL 70 RP, TSEUNG KWAN O, NEW TERRORIES		
CLIENT: 美特铝质有限公司 MIDI ALUMINIUM FABRICATOR LTD. Units 6-8, Sunray Industrial Centre, 1/F 510 Cha Kwo Ling Road, Kowloon Tel:23489211-4 Fax:(852)27727666		
银同有限公司 Silver Town Limited Tel:0769-83354968 Fax:0769-83359954 E-MAIL ADDRESS:sgsttd@vip.163.COM		
DRAWING TITLE : [1B5-1]		
CAD File Name :		
Designed by		
Drawn by		
Reviewed by		
Approved by		
Scale		
DWG NO: WW1	- [1B5-1]	REV. 0

构件编号:	1B5-2	构件数量:	1	构件重量:	99.32	
部件编号	规格(mm)	长度(mm)	数量	单重(kg)	共重(kg)	表面积(m ²)
M204	RHS250*150*10.0	1689	1	99.32	99.32	1.31
合计:					99.32	

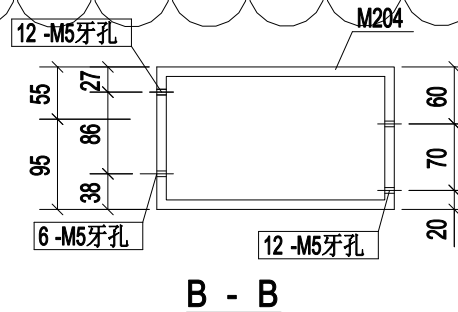
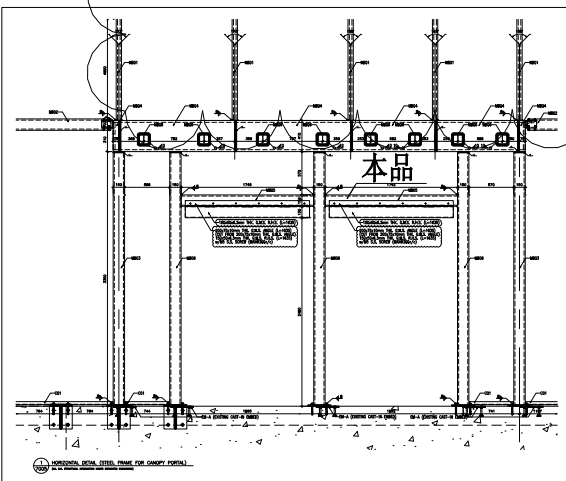
HOLD



构件: 1B5-2



A - A



B - B

0	第1次报批	2018-11-15
Rev.	Description	Date
PROJECT:		
PROPOSED SITE C1 DEVELOPMENT AT AREA 86, TKOTL 70 RP, TSEUNG KWAN O, NEW TERRITORIES		
CLIENT:		
 美特鋁質有限公司 MIDI ALUMINIUM FABRICATOR LTD. Units 6-8, Sunray Industrial Centre, 1/F 510 Cha Kwo Ling Road, Kowloon Tel:23489211-4 Fax:(852)27727666		
 银同有限公司 Silver Town Limited Tel:0769-83354968 Fax:0769-83359954 E-MAIL ADDRESS:sgst@vip.163.COM		

DRAWING TITLE :

[1B5-2]

CAD File Name :

Designed by

Drawn by

Reviewed by

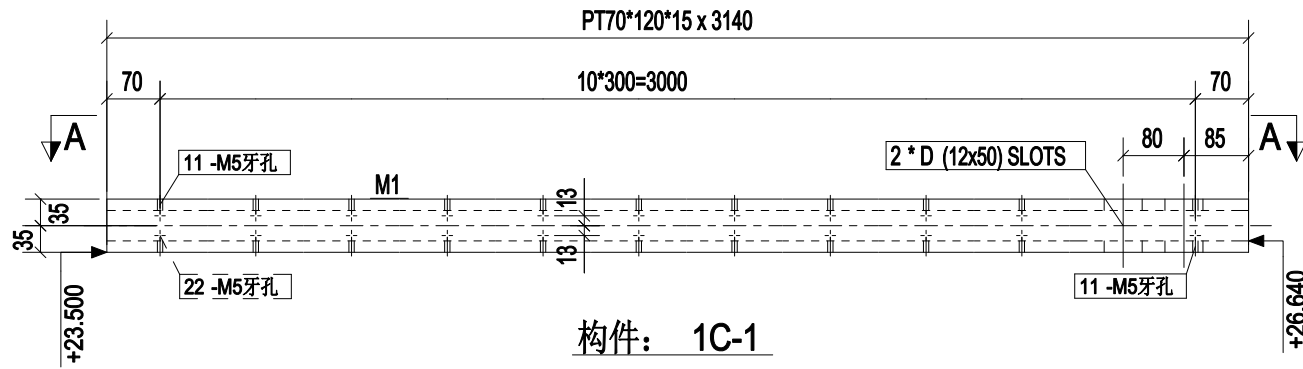
Approved by

Scale

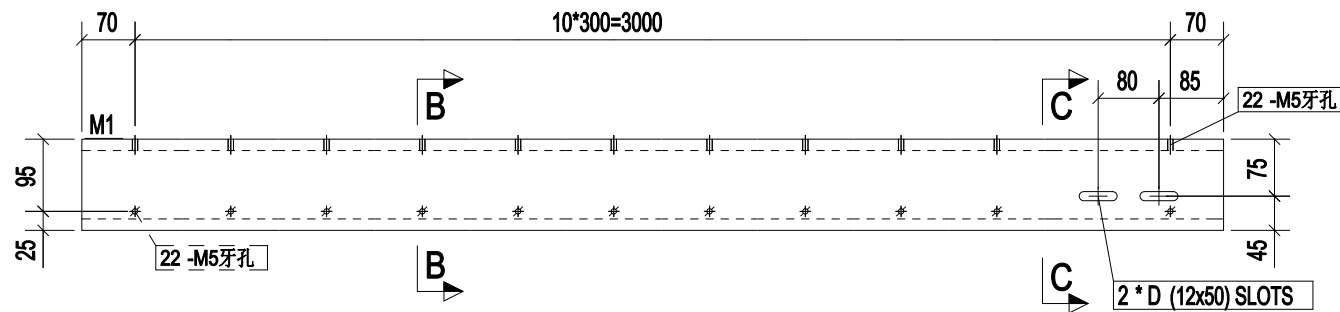
DWG NO: WW1 - [1B5-2]

REV.
0

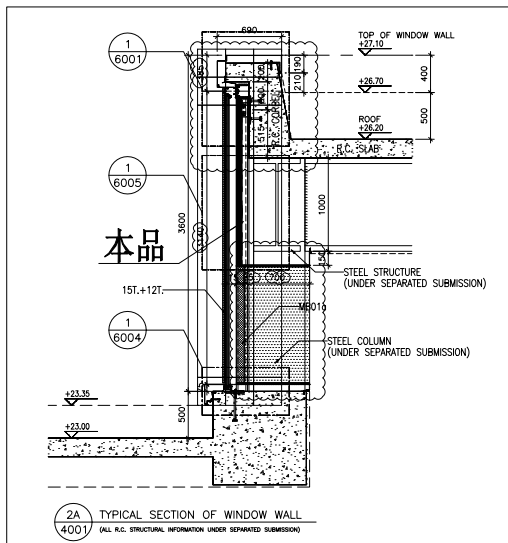
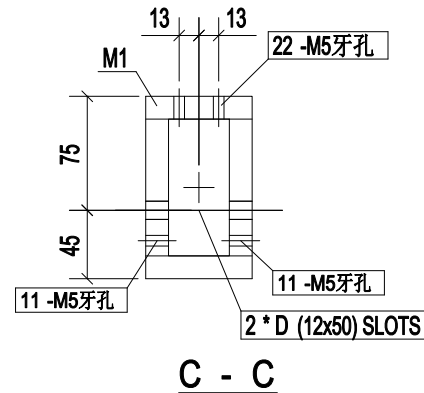
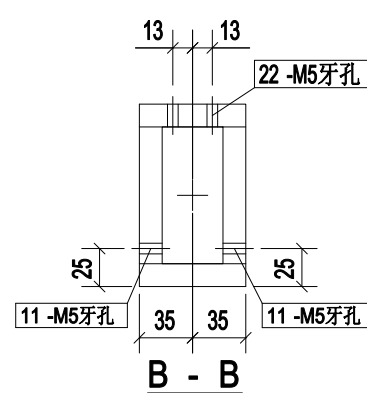
修改说明：修改牙孔。



构件： 1C-1



A - A



Rev.	Description	Date
A	第2次报批	2018-11-22

PROJECT:
PROPOSED SITE C1
DEVELOPMENT AT AREA 86,
TKOTL 70 RP, TSEUNG KWAN O,
NEW TERRITORIES

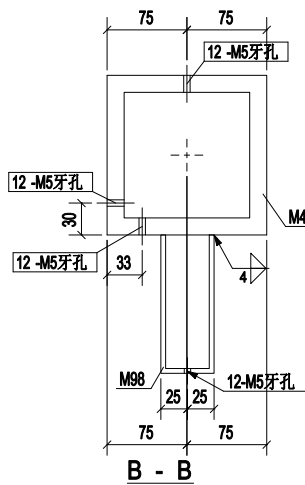
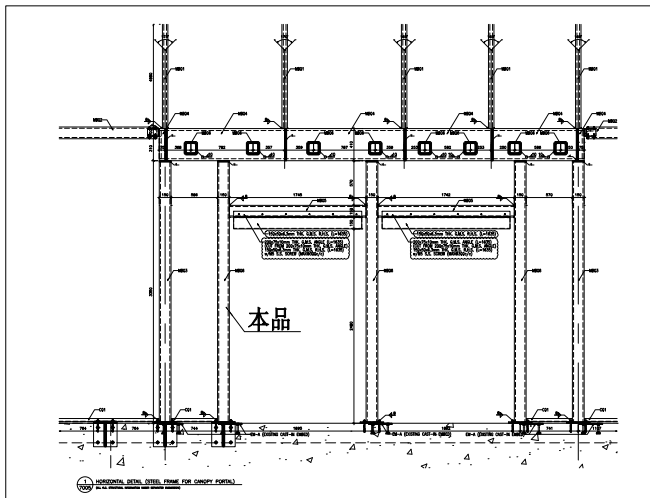
CLIENT:
美特铝质有限公司
MIDI ALUMINIUM FABRICATOR LTD.
Units 6-8, Sunray Industrial Centre, 1/F
510 Cha Kwo Ling Road, Kowloon
Tel:23489211-4 Fax:(852)27727666

[1C-.1]

Designed by	
Drawn by	
Reviewed by	
Approved by	
Scale	

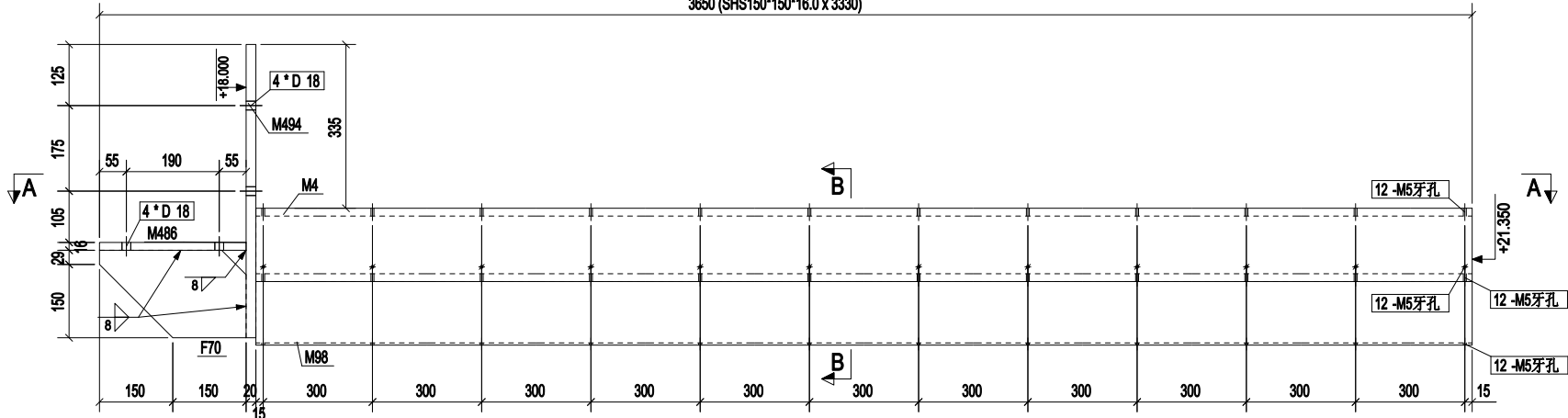
构件编号	规格(mm)	长度(mm)	数量	单重(kg)	共重(kg)	表面积(m ²)
1C-1	PT70*120*15	3140	4	118.32	118.32	1.15
合计：				118.32		

DWG NO: WW1 - [1C-.1] REV. A

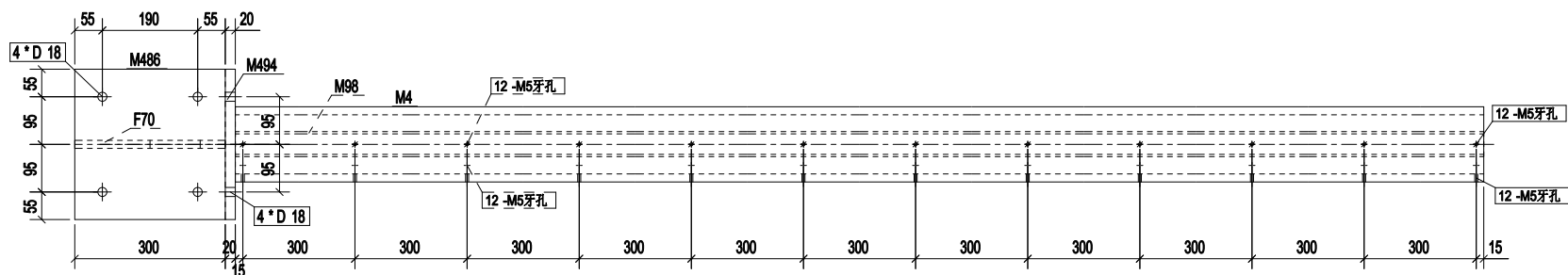


构件编号:	1C-2	构件数量:	1	构件重量:	312.18	
部件编号	规格(mm)	长度(mm)	数量	单重(kg)	共重(kg)	表面积(m ²)
F70	PLT16*179	300	1	6.74	6.74	0.10
M4	SHS150*150*16.0	3330	1	220.94	220.94	1.90
M98	RHS150*50*4.5	3330	1	44.94	44.94	1.05
M486	PL16*300	300	1	11.30	11.30	0.20
M494	PL20*300	600	1	28.26	28.26	0.40
				合计:	312.18	

3650 (SHS150*150*16.0 x 3330)



构件: 1C-2

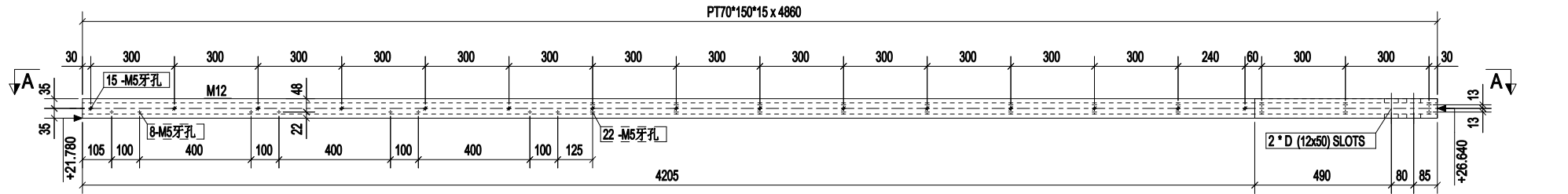


A - A

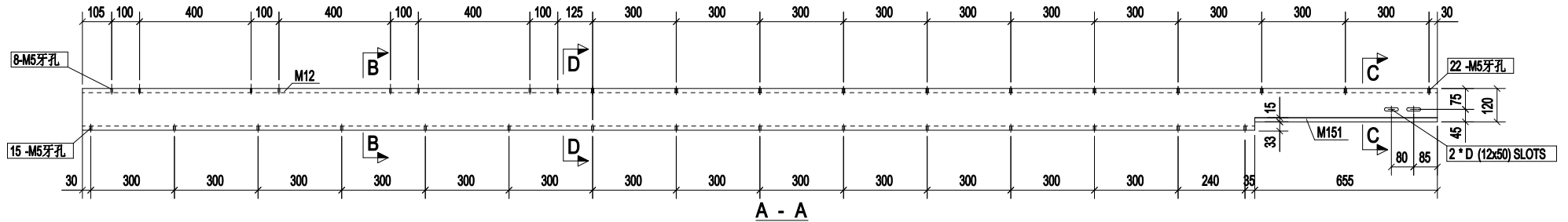
0	第1次报批	2018-11-15
Rev.	Description	Date
PROJECT: PROPOSED SITE C1 DEVELOPMENT AT AREA 86, TKOTL 70 RP, TSEUNG KWAN O, NEW TERRITORIES		
CLIENT: 美特铝有限公司 MIDI ALUMINIUM FABRICATOR LTD. Units 6-8, Sunray Industrial Centre, 1/F 610 Cho Kwo Ling Road, Kowloon Tel:23489211-4 Fax:(852)27727666		
银同有限公司 Silver Town Limited Tel:0769-83354968 Fax:0769-83358954 E-MAIL ADDRESS:dgstkl@vip.163.COM		

DRAWING TITLE :	
[1C-2]	
CAD File Name :	
Designed by	
Drawn by	
Reviewed by	
Approved by	
Scale	
DWG NO: WW1 - [1C-2]	REV. 0

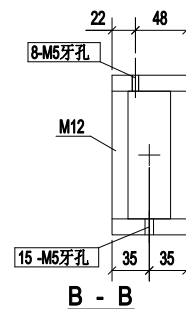
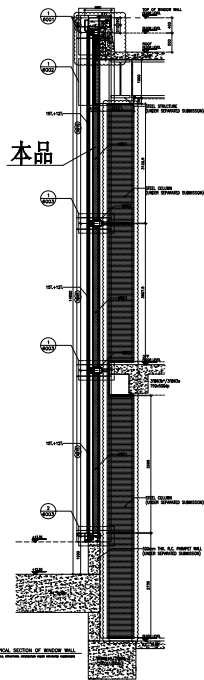
构件编号:	1C-3	构件数量:	1	构件重量:	222.86	
部件编号	规格(mm)	长度(mm)	数量	单重(kg)	共重(kg)	表面积(m ²)
M12	PT70*150*15	4860	1	217.46	217.46	1.97
M151	PL15*70	655	1	5.40	5.40	0.11
合计: 222.86						



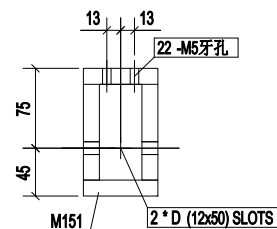
构件: 1C-3



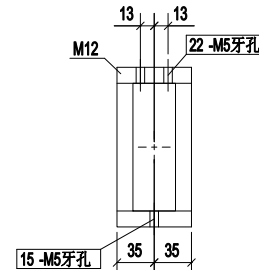
A - A



B - B



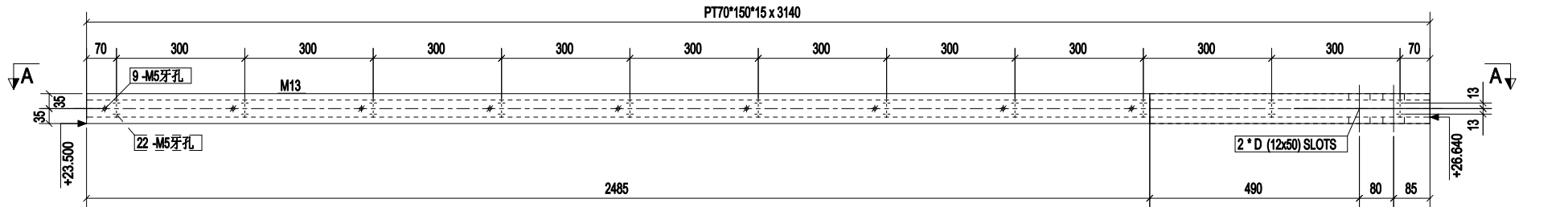
C - C



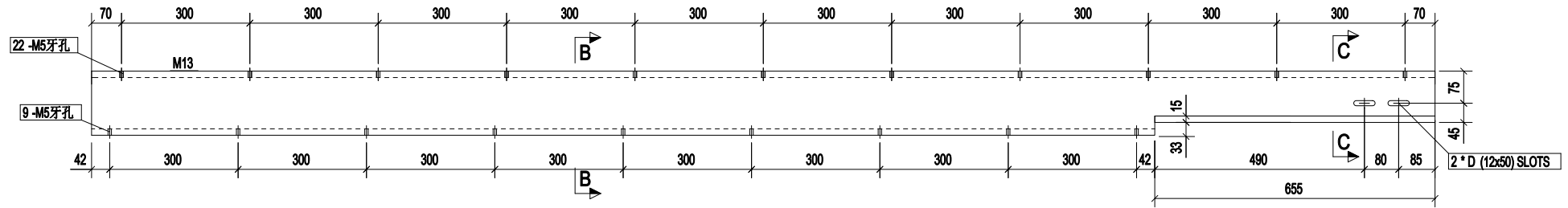
D - D

0	第1次报批	2018-11-15
Rev.	Description	Date
PROJECT: PROPOSED SITE C1 DEVELOPMENT AT AREA 86, TKOTL 70 RP, TSEUNG KWAN O, NEW TERRITORIES		
CLIENT: 美特鋁質有限公司 MIDI ALUMINIUM FABRICATOR LTD. Units 6-8, Sunray Industrial Centre, 1/F 610 Cho Kwo Ling Road, Kowloon Tel:23489211-4 Fax:(852)27727666		
银同有限公司 Silver Town Limited Tel:0769-83354968 Fax:0769-83358954 E-MAIL ADDRESS:dgstkt@vip.163.COM		
DRAWING TITLE :		
[1C-3]		
CAD File Name :		
Designed by		
Drawn by		
Reviewed by		
Approved by		
Scale		
DWG NO: WW1	- [1C-3]	REV. 0

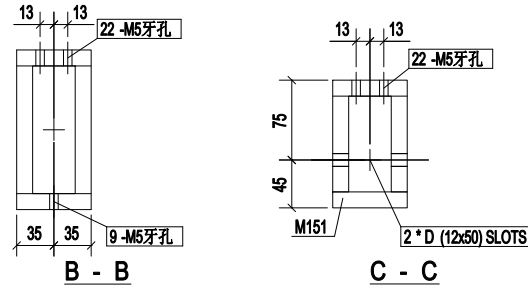
构件编号:	1C-4	构件数量:	18	构件重量:	145.90	
部件编号	规格(mm)	长度(mm)	数量	单重(kg)	共重(kg)	表面积(m ²)
M13	PT70*150*15	3140	1	140.50	140.50	1.25
M151	PL15*70	655	1	5.40	5.40	0.11
合计: 145.90						



构件: 1C-4

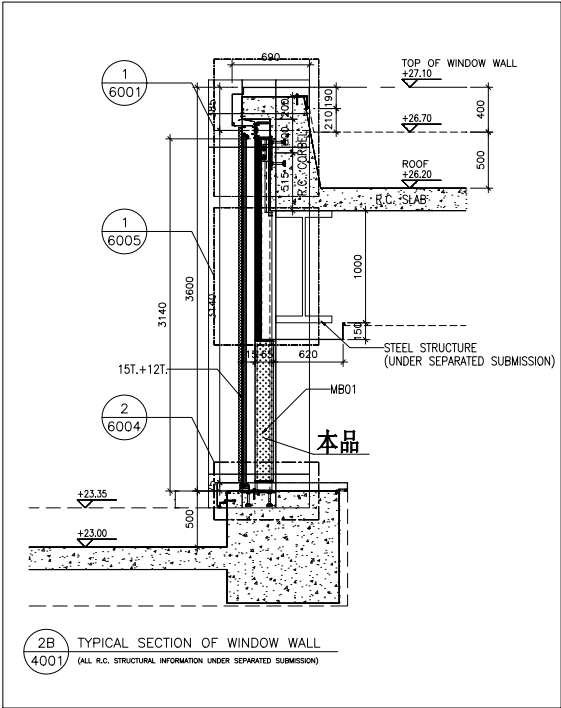


A - A



B - B

C - C

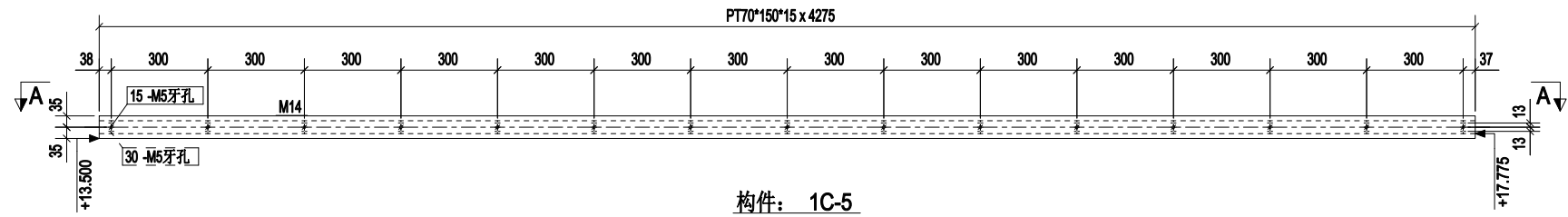


0	第1次报批	2018-11-15
Rev.	Description	Date
PROJECT: PROPOSED SITE C1 DEVELOPMENT AT AREA 86, TKOTL 70 RP, TSEUNG KWAN O, NEW TERRITORIES		
CLIENT: 美特铝质有限公司 MIDI ALUMINIUM FABRICATOR LTD. Units 6-8, Sunray Industrial Centre, 1/F 610 Cho Kwo Ling Road, Kowloon Tel:23489211-4 Fax:(852)27727666		

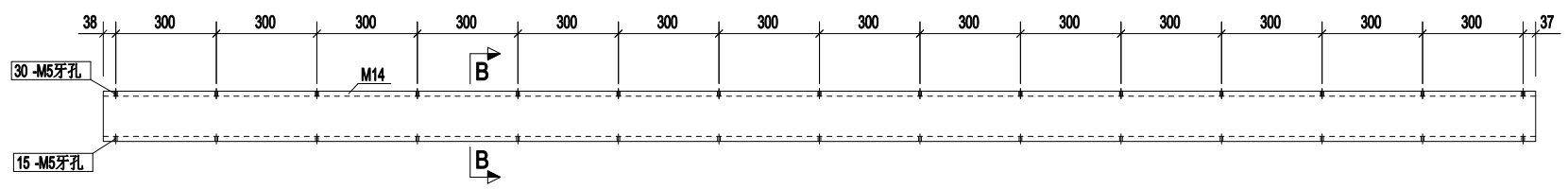
银同有限公司 Silver Town Limited Tel:0769-83354968 Fax:0769-83358954 E-MAIL ADDRESS:dgstkt@vip.163.COM		
---	--	--

DRAWING TITLE :		
[1C-4]		
CAD File Name :		
Designed by		
Drawn by		
Reviewed by		
Approved by		
Scale		
DWG NO: WW1	- [1C-4]	REV. 0

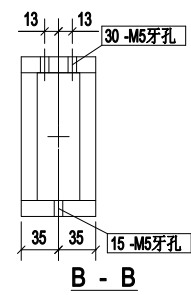
构件编号:	1C-5	构件数量:	11	构件重量:	191.28	
部件编号	规格(mm)	长度(mm)	数量	单重(kg)	共重(kg)	表面积(m ²)
M14	PT70*150*15	4275	1	191.28	191.28	1.81
合计:					191.28	



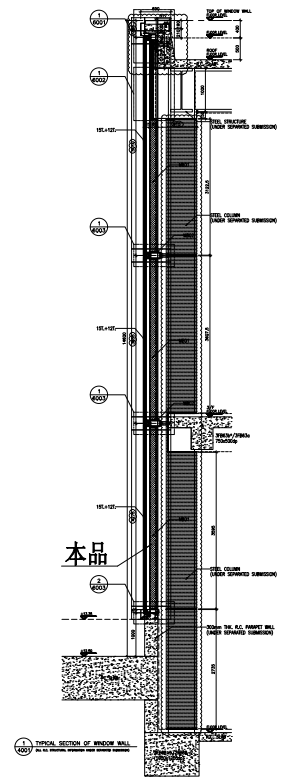
构件: 1C-5



A - A

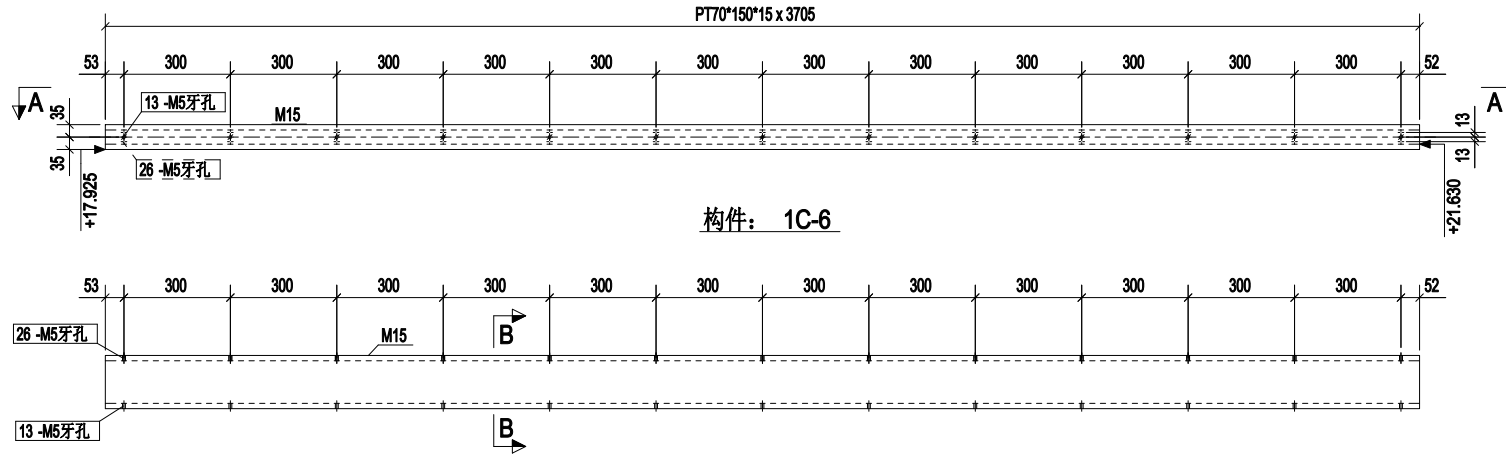


B - B

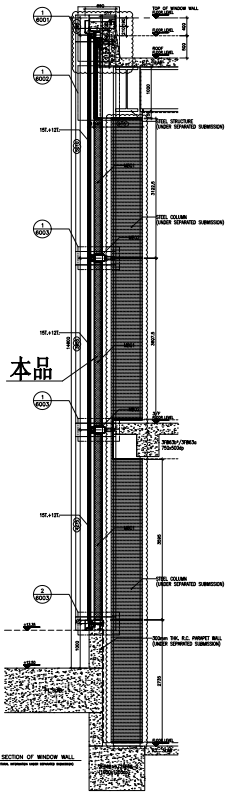
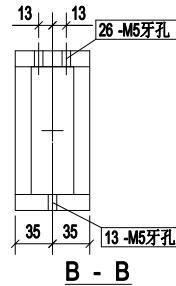


0	第1次报批	2018-11-15
Rev.	Description	Date
PROJECT: PROPOSED SITE C1 DEVELOPMENT AT AREA 86, TKOTL 70 RP, TSEUNG KWAN O, NEW TERRITORIES		
CLIENT: 美特鋁質有限公司 MIDI ALUMINIUM FABRICATOR LTD. Units 6-8, Sunray Industrial Centre, 1/F 610 Cho Kwo Ling Road, Kowloon Tel:23489211-4 Fax:(852)27727666		
银同有限公司 Silver Town Limited Tel:0769-83354968 Fax:0769-83358954 E-MAIL ADDRESS:dgstkt@vip.163.COM		
DRAWING TITLE : [1C-.5]		
CAD File Name :		
Designed by		
Drawn by		
Reviewed by		
Approved by		
Scale		
DWG NO:	WW1 - [1C-.5]	REV. 0

构件编号:	1C-6	构件数量:	11	构件重量:	165.78	
部件编号	规格(mm)	长度(mm)	数量	单重(kg)	共重(kg)	表面积(m ²)
M15	PT70*150*15	3705	1	165.78	165.78	1.57
合计: 165.78						

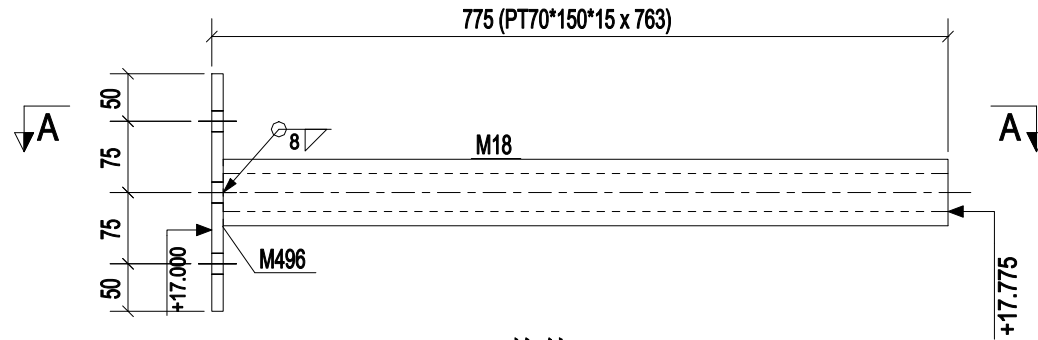


A - A

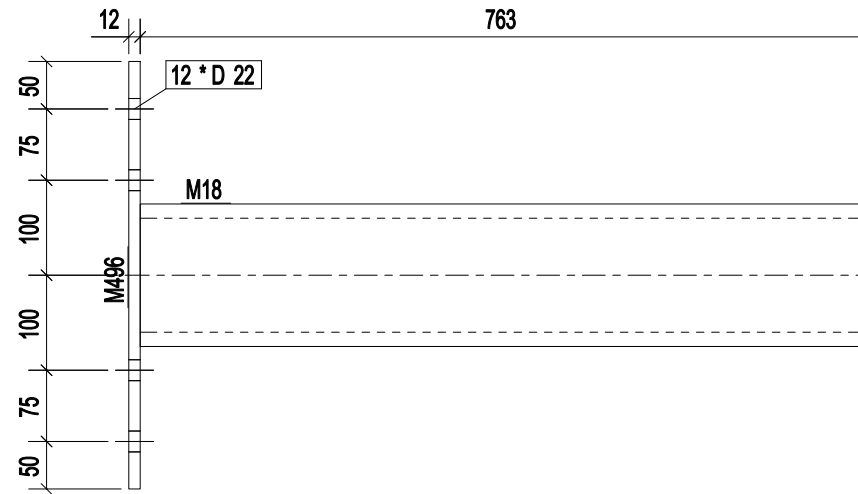


0	第1次报批	2018-11-15
Rev.	Description	Date
PROJECT: PROPOSED SITE C1 DEVELOPMENT AT AREA 86, TKOTL 70 RP, TSEUNG KWAN O, NEW TERRITORIES		
CLIENT: 美特铝质有限公司 MIDI ALUMINIUM FABRICATOR LTD. Units 6-8, Sunray Industrial Centre, 1/F 610 Cho Kwo Ling Road, Kowloon Tel:23489211-4 Fax:(852)27727666		
银同有限公司 Silver Town Limited Tel:0769-83354968 Fax:0769-83358954 E-MAIL ADDRESS:dgstkl@vip.163.COM		
DRAWING TITLE : [1C-6]		
CAD File Name :		
Designed by		
Drawn by		
Reviewed by		
Approved by		
Scale		
DWG NO: WW1	- [1C-6]	REV. 0

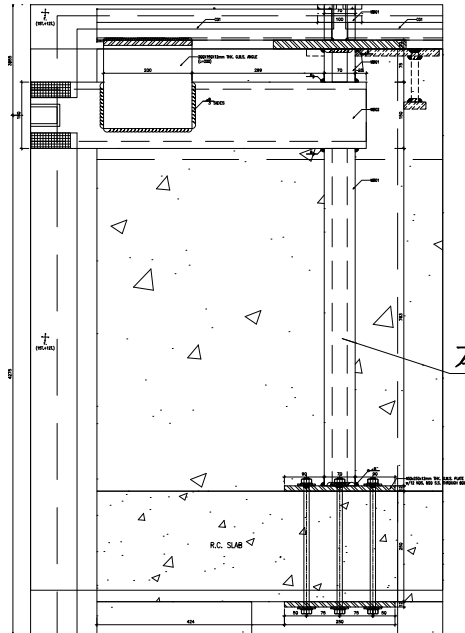
构件编号:	1C-9	构件数量:	1	构件重量:	44.74	
部件编号	规格(mm)	长度(mm)	数量	单重(kg)	共重(kg)	表面积(m ²)
M18	PT70*150*15	763	1	34.14	34.14	0.33
M496	PL12*250	450	1	10.60	10.60	0.24
合计:					44.74	





构件: 1C-9

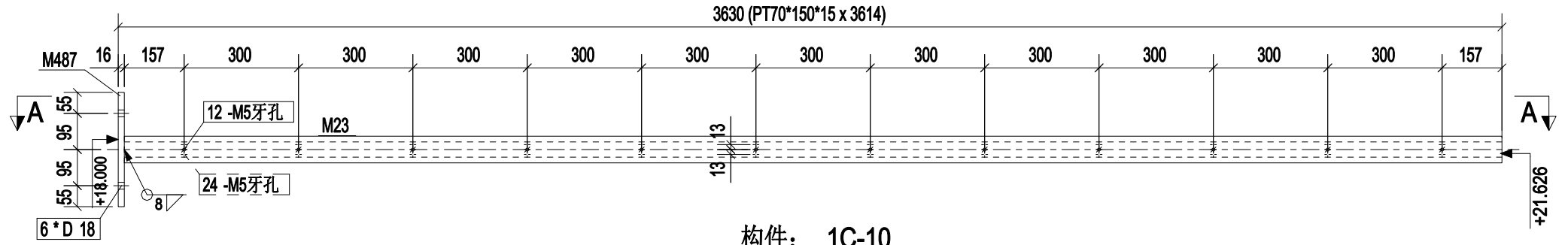


A - A

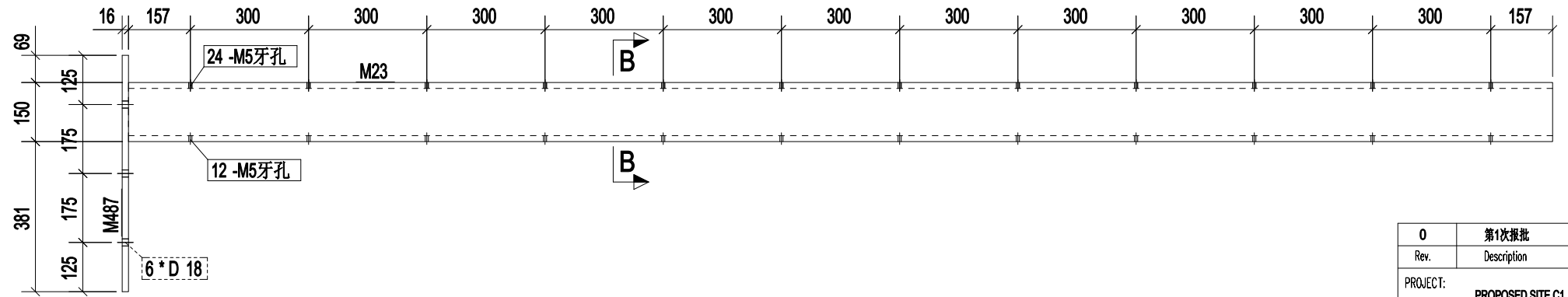


0	第1次报批	2018-11-15
Rev.	Description	Date
PROJECT: PROPOSED SITE C1 DEVELOPMENT AT AREA 86, TKOTL 70 RP, TSEUNG KWAN O, NEW TERRITORIES		
CLIENT:  美特鋁質有限公司 MIDI ALUMINIUM FABRICATOR LTD. Units 6-8, Sunray Industrial Centre, 1/F 510 Cha Kwo Ling Road, Kowloon Tel:23489211-4 Fax:(852)27727666		
 银同有限公司 Silver Town Limited Tel:0769-83354968 Fax:0769-83359954 E-MAIL ADDRESS:sgsttd@vip.163.COM		
DRAWING TITLE : [1C-9]		
CAD File Name :		
Designed by		
Drawn by		
Reviewed by		
Approved by		
Scale		
DWG NO.: WW1	- [1C-9]	REV. 0

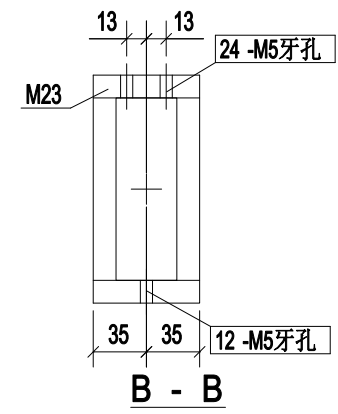
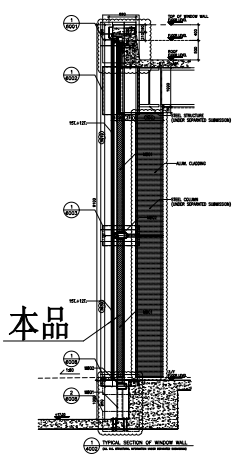
构件编号:	1C-10	构件数量:	1	构件重量:	184.32	
部件编号	规格(mm)	长度(mm)	数量	单重(kg)	共重(kg)	表面积(m ²)
M23	PT70*150*15	3614	1	161.71	161.71	1.53
M487	PL16*300	600	1	22.61	22.61	0.39
				合计:	184.32	



构件: 1C-10



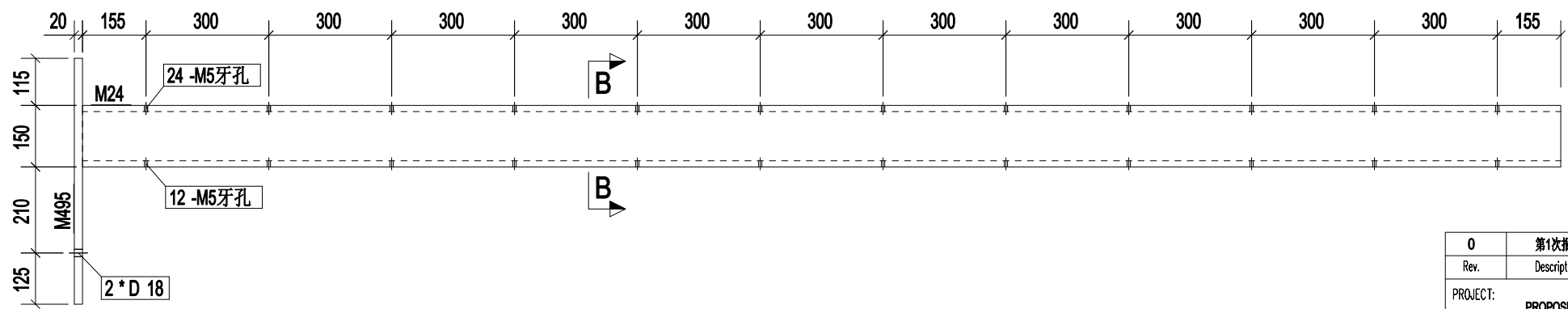
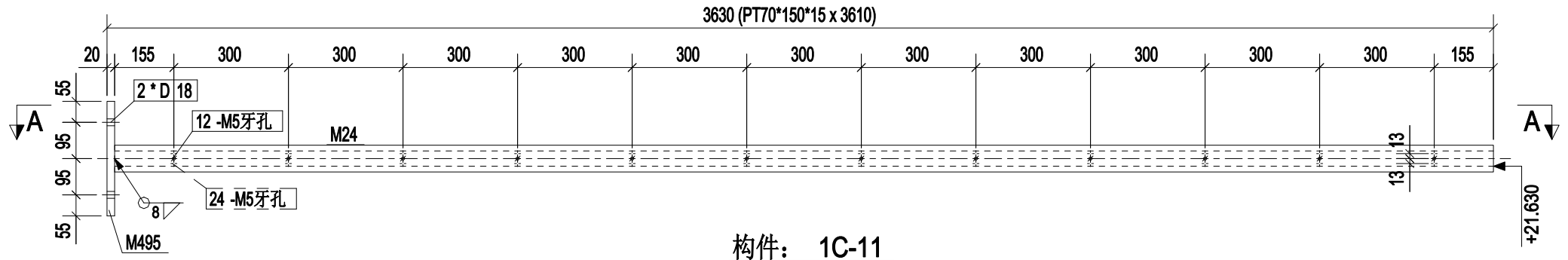
A - A



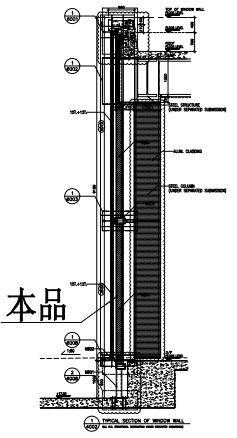
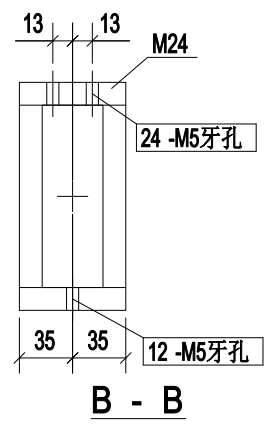
B - B

0	第1次报批	2018-11-15
Rev.	Description	Date
PROJECT: PROPOSED SITE C1 DEVELOPMENT AT AREA 86, TKOTL 70 RP, TSEUNG KWAN O, NEW TERRITORIES		
CLIENT: 美特鋁質有限公司 Units 6-8, Sunray Industrial Centre, 1/F 510 Cha Kwo Ling Road, Kowloon Tel:23489211-4 Fax:(852)27727666		
银同有限公司 Silver Town Limited Tel:0769-83354968 Fax:0769-83359954 E-MAIL ADDRESS:sgsttd@vip.163.COM		
DRAWING TITLE : [1C-.10]		
CAD File Name :		
Designed by		
Drawn by		
Reviewed by		
Approved by		
Scale		
DWG NO.: WW1	- [1C-10]	REV. 0

构件编号:	1C-11	构件数量:	1	构件重量:	189.79	
部件编号	规格(mm)	长度(mm)	数量	单重(kg)	共重(kg)	表面积(m ²)
M24	PT70*150*15	3610	1	161.53	161.53	1.53
M495	PL20*300	600	1	28.26	28.26	0.40
				合计:	189.79	

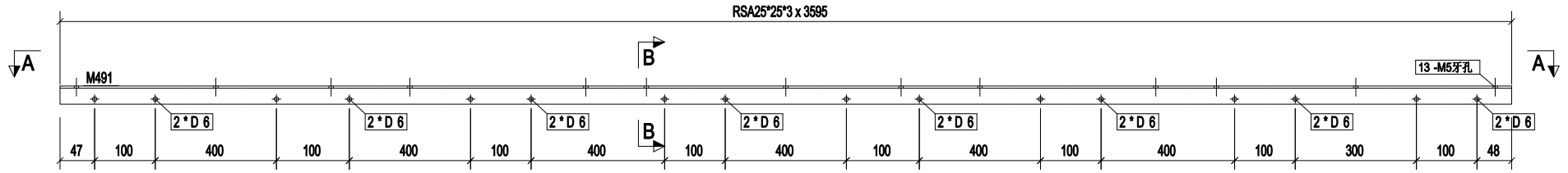


A - A

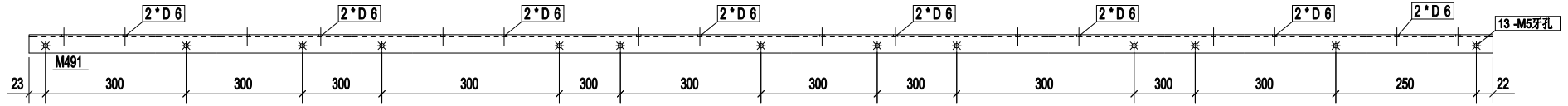


0	第1次报批	2018-11-15
Rev.	Description	Date
PROJECT: PROPOSED SITE C1 DEVELOPMENT AT AREA 86, TKOTL 70 RP, TSEUNG KWAN O, NEW TERRITORIES		
CLIENT: 美特鋁質有限公司 MIDI ALUMINIUM FABRICATOR LTD. Units 6-8, Sunray Industrial Centre, 1/F 510 Cha Kwo Ling Road, Kowloon Tel:23489211-4 Fax:(852)27727666		
银同有限公司 Silver Town Limited Tel:0769-83354968 Fax:0769-83359954 E-MAIL ADDRESS:sgsttd@vip.163.COM		
DRAWING TITLE : [1C-.11]		
CAD File Name :		
Designed by		
Drawn by		
Reviewed by		
Approved by		
Scale		
DWG NO.: WW1	- [1C-.11]	REV. 0

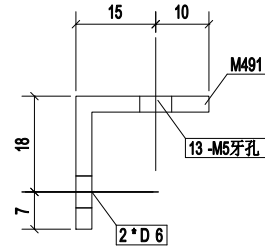
构件编号:	1C-12	构件数量:	1	构件重量:	3.98	
部件编号	规格(mm)	长度(mm)	数量	单重(kg)	共重(kg)	表面积(m ²)
M491	RSA25*25*3	3595	1	3.98	3.98	0.36
合计:					3.98	



构件: 1C-12

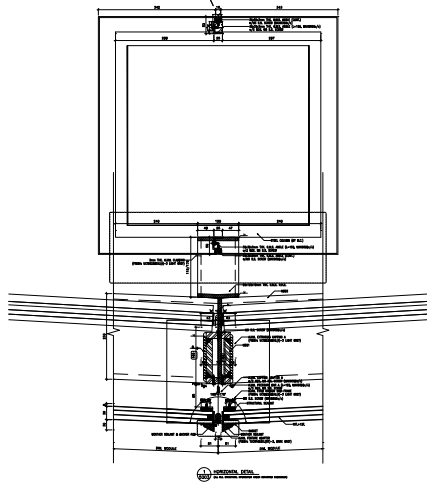



A - A



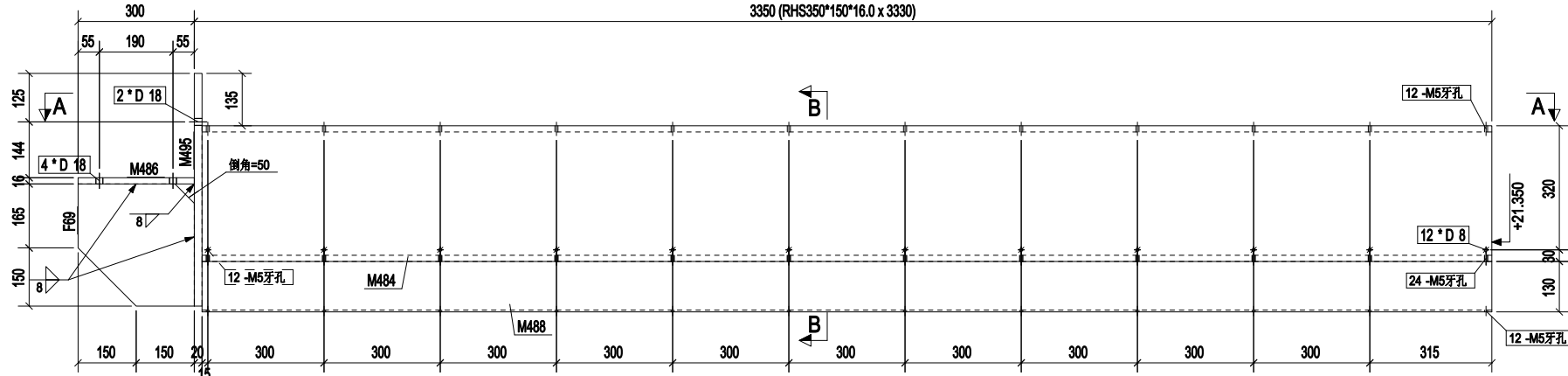
B - B

本品

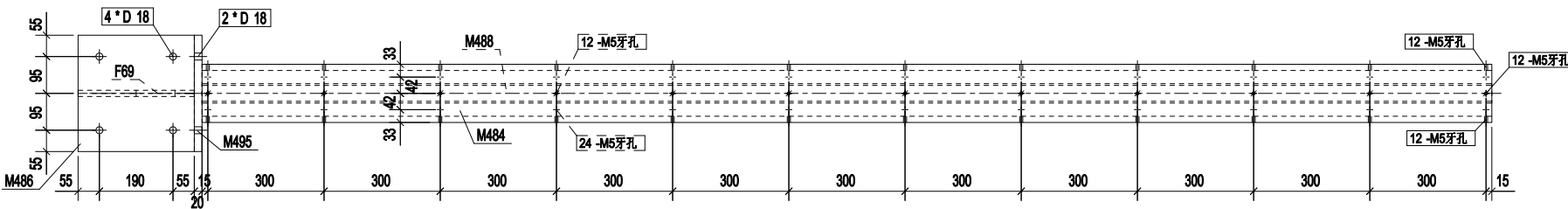


0	第1次报批	2018-11-15
Rev.	Description	Date
PROJECT: PROPOSED SITE C1 DEVELOPMENT AT AREA 86, TKOTL 70 RP, TSEUNG KWAN O, NEW TERRITORIES		
CLIENT:  Units 6-8, Sunray Industrial Centre, 1/F 610 Cho Kwo Ling Road, Kowloon Tel:23489211-4 Fax:(852)27727666		
 Tel:0769-83354968 Fax:0769-83358954 E-MAIL ADDRESS:dgstkt@vip.163.COM		
DRAWING TITLE : [1C-.12]		
CAD File Name :		
Designed by		
Drawn by		
Reviewed by		
Approved by		
Scale		
DWG NO: WW1	- [1C-.12]	REV. 0

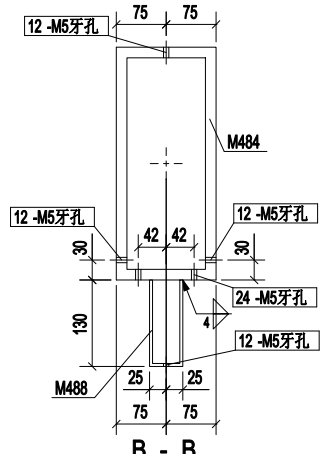
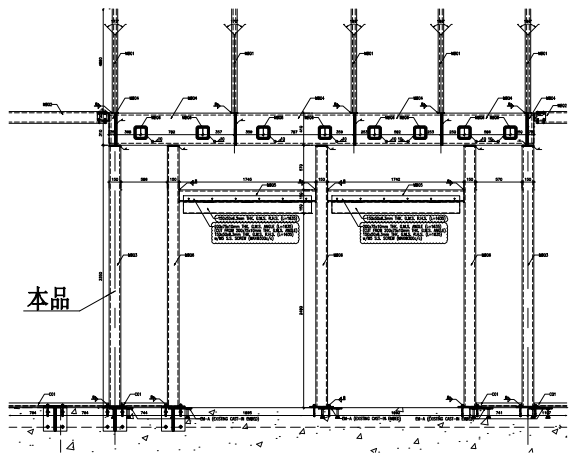
构件编号: 1C-13		构件数量: 1			构件重量: 480.63	
部件编号	规格(mm)	长度(mm)	数量	单重(kg)	共重(kg)	表面积(m ²)
F69	PLT16*300	315	1	11.87	11.87	0.18
M484	RHS350*150*16.0	3330	1	384.27	384.27	3.19
M486	PL16*300	300	1	11.30	11.30	0.20
M488	RHS150*50*4.5	3330	1	44.94	44.94	1.05
M495	PL20*300	600	1	28.26	28.26	0.40
合计:					480.63	



构件: 1C-13



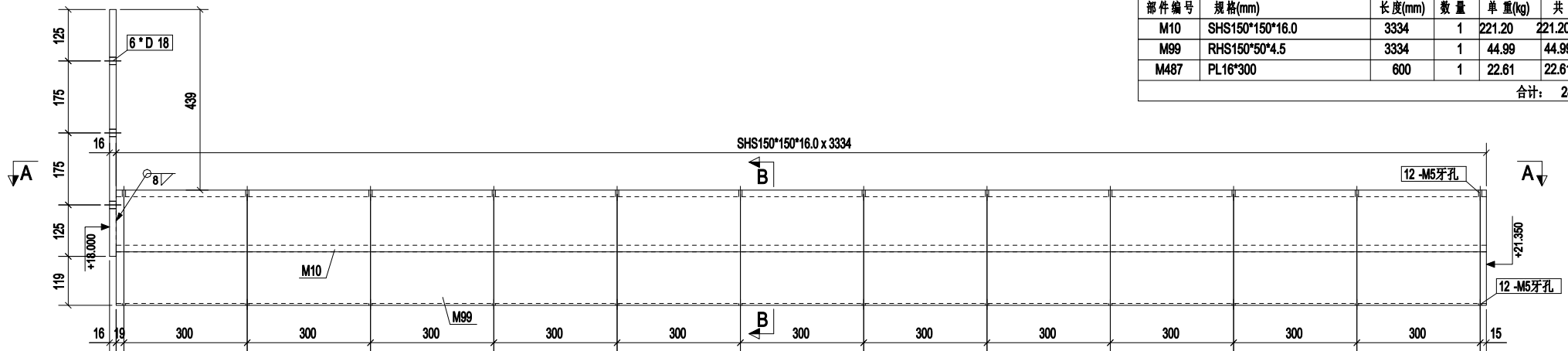
A - A



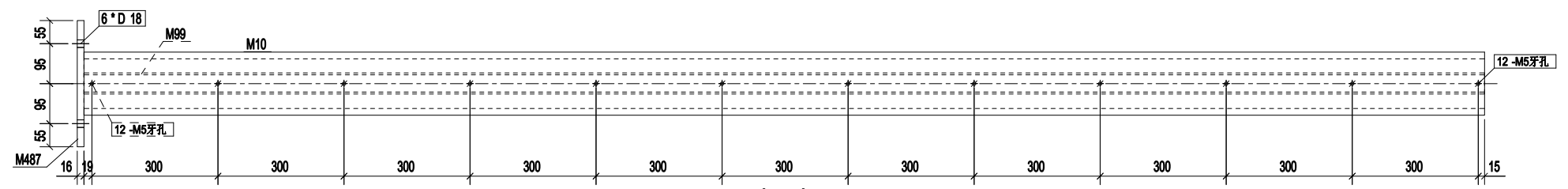
B - B

0	第1次报批	2018-11-15
Rev.	Description	Date
PROJECT: PROPOSED SITE C1 DEVELOPMENT AT AREA 86, TKOTL 70 RP, TSEUNG KWAN O, NEW TERRITORIES		
CLIENT: 美特鋁質有限公司 MIDI ALUMINIUM FABRICATOR LTD. Units 6-8, Sunray Industrial Centre, 1/F 610 Cho Kwo Ling Road, Kowloon Tel:23489211-4 Fax:(852)2727666		
S 银同有限公司 Silver Town Limited Tel:0769-83354968 Fax:0769-83358954 E-MAIL ADDRESS:sgstkt@vip.163.COM		
DRAWING TITLE : [1C-.13]		
CAD File Name :		
Designed by		
Drawn by		
Reviewed by		
Approved by		
Scale		
DWG NO: WW1	- [1C-.13]	REV. 0

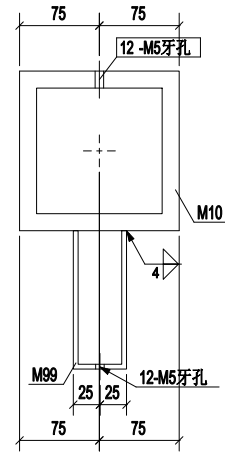
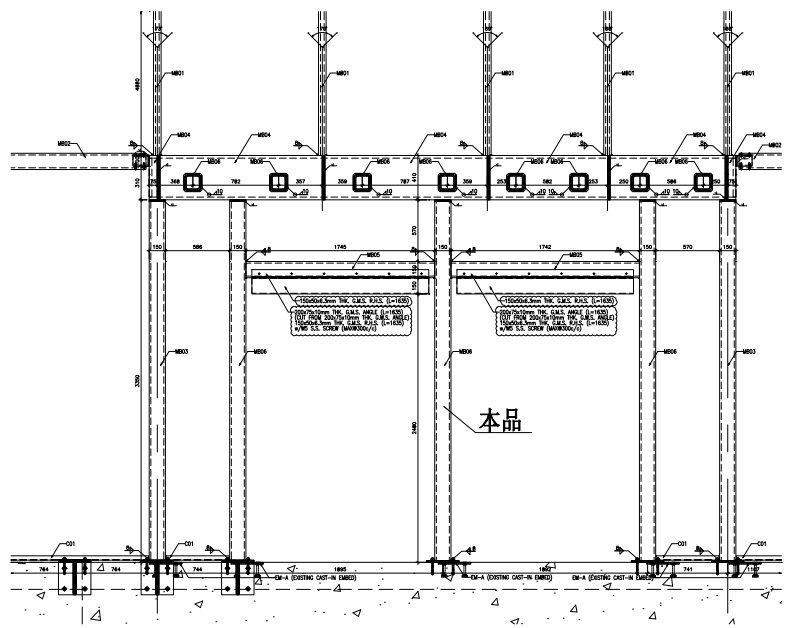
构件编号:	1C-14	构件数量:	1	构件重量:	288.80	
部件编号	规格(mm)	长度(mm)	数量	单重(kg)	共重(kg)	表面积(m ²)
M10	SHS150*150*16.0	3334	1	221.20	221.20	1.90
M99	RHS150*50*4.5	3334	1	44.99	44.99	1.05
M487	PL16*300	600	1	22.61	22.61	0.39
				合计:	288.80	



构件: 1C-14



A - A

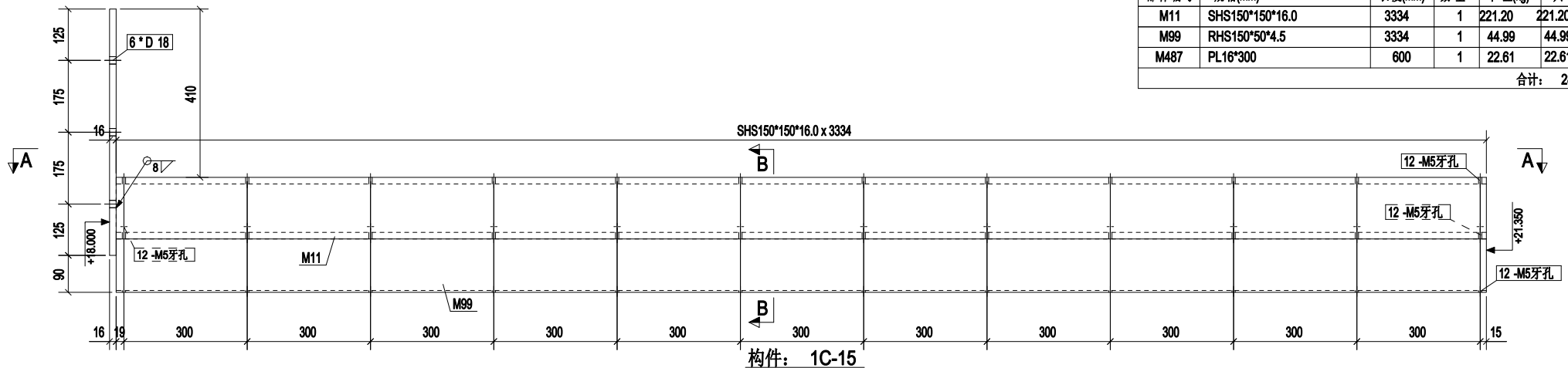


B - B

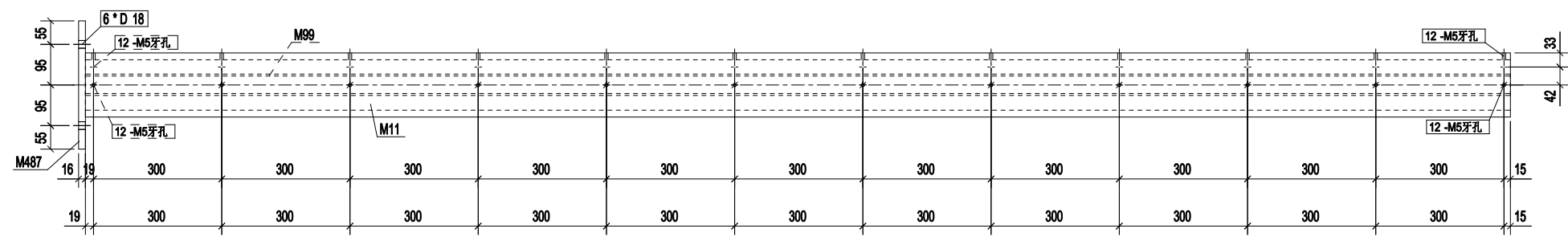
0	第1次报批	2018-11-15
Rev.	Description	Date
PROJECT: PROPOSED SITE C1 DEVELOPMENT AT AREA 86, TKOTL 70 RP, TSEUNG KWAN O, NEW TERRITORIES		
CLIENT: 美特鋁質有限公司 MIDI ALUMINIUM FABRICATOR LTD. Units 6-8, Sunray Industrial Centre, 1/F 610 Cho Kwo Ling Road, Kowloon Tel:23489211-4 Fax:(852)27727666		
銀同有限公司 Silver Town Limited Tel:0769-83354968 Fax:0769-83358954 E-MAIL ADDRESS:dgstkl@vip.163.COM		
DRAWING TITLE : [1C-.14]		
CAD File Name :		
Designed by		
Drawn by		
Reviewed by		
Approved by		
Scale		
DWG NO:	WW1 - [1C-.14]	REV. 0

HORIZONTAL DETAIL (STEEL FRAME FOR CANOPY PORTAL)
BY: S.C. INDUSTRIAL DESIGN AND DRAWING SERVICES

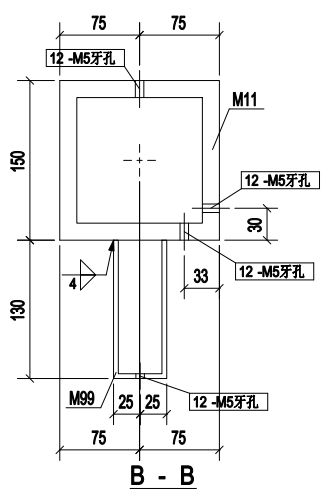
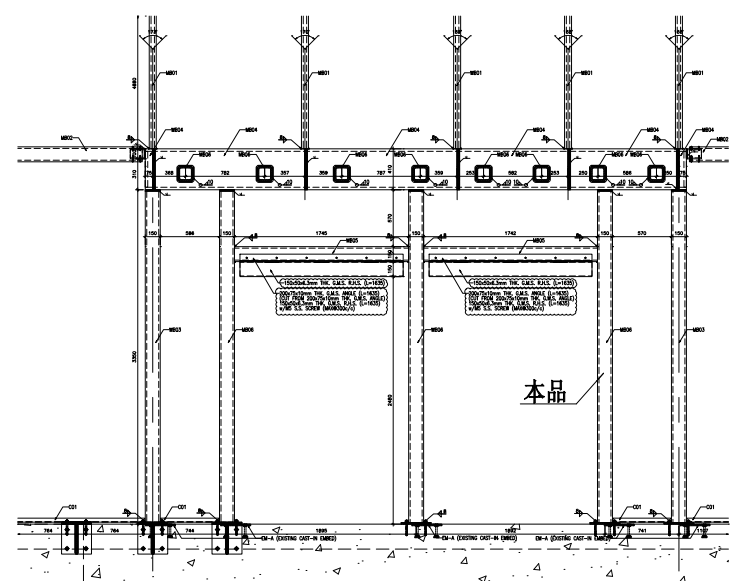
构件编号:	1C-15	构件数量:	1	构件重量:	288.80	
部件编号	规格(mm)	长度(mm)	数量	单重(kg)	共重(kg)	表面积(m ²)
M11	SHS150*150*16.0	3334	1	221.20	221.20	1.90
M99	RHS150*50*4.5	3334	1	44.99	44.99	1.05
M487	PL16*300	600	1	22.61	22.61	0.39
				合计:	288.80	



构件: 1C-15



A - A

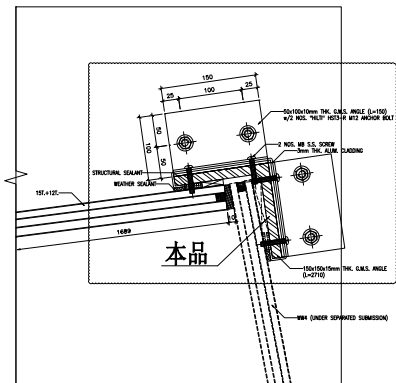
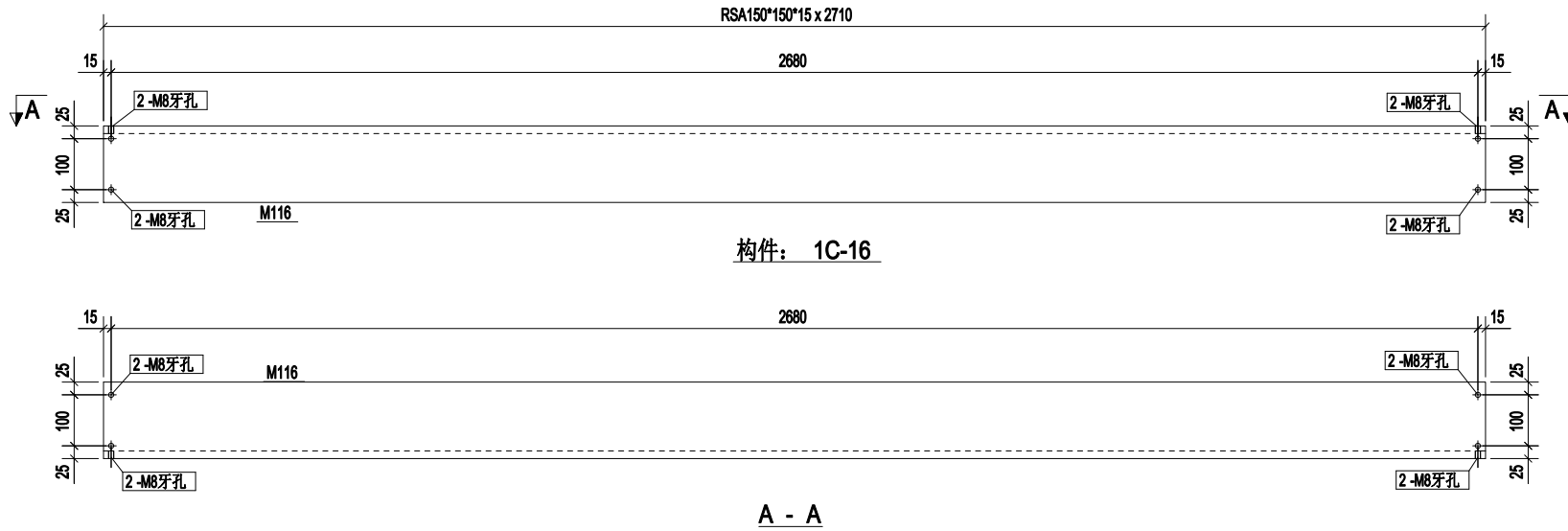


B - B

0	第1次报批	2018-11-15
Rev.	Description	Date
PROJECT: PROPOSED SITE C1 DEVELOPMENT AT AREA 86, TKOTL 70 RP, TSEUNG KWAN O, NEW TERRITORIES		
CLIENT: 美特铝质有限公司 MIDI ALUMINIUM FABRICATOR LTD. Units 6-8, Sunray Industrial Centre, 1/F 610 Cho Kwo Ling Road, Kowloon Tel:23489211-4 Fax:(852)27727666		
银同有限公司 Silver Town Limited Tel:0769-83354968 Fax:0769-83358954 E-MAIL ADDRESS:dgstkt@vip.163.COM		
DRAWING TITLE : [1C-.15]		
CAD File Name :		
Designed by		
Drawn by		
Reviewed by		
Approved by		
Scale		
DWG NO: WW1	- [1C-.15]	REV. 0

1 HORIZONTAL DETAIL (STEEL FRAME FOR CANOPY PORTALS)
THE 3D MODEL, DIMENSIONS AND WEIGHTS ARE FOR REFERENCE ONLY.

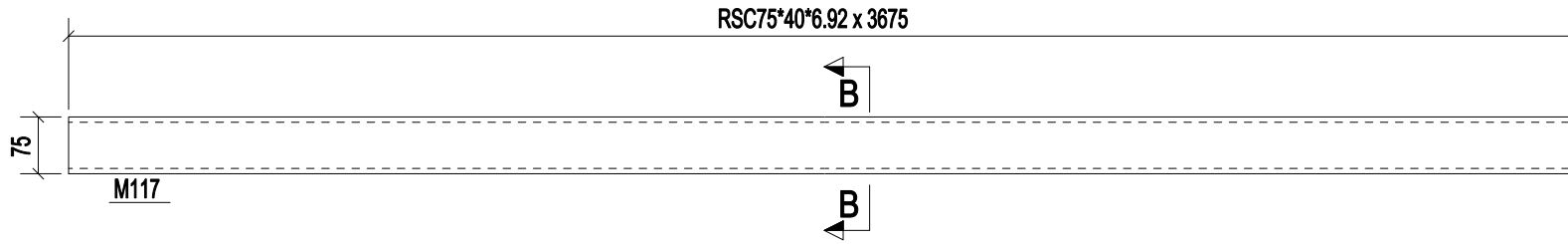
构件编号:	1C-16	构件数量:	1	构件重量:	91.90	
部件编号	规格(mm)	长度(mm)	数量	单重(kg)	共重(kg)	表面积(m ²)
M116	RSA150*150*15	2710	1	91.90	91.90	1.60
合计:					91.90	



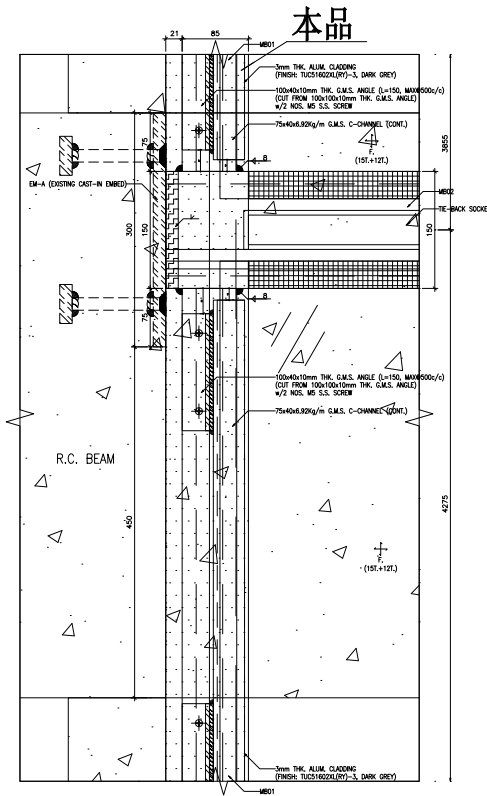
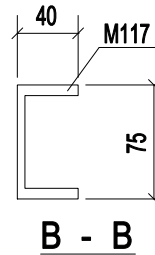
2 HORIZONTAL DETAIL
3/2009

0	第1次报批	2018-11-15
Rev.	Description	Date
PROJECT: PROPOSED SITE C1 DEVELOPMENT AT AREA 86, TKOTL 70 RP, TSEUNG KWAN O, NEW TERRITORIES		
CLIENT: 美特鋁質有限公司 MIDI ALUMINIUM FABRICATOR LTD. Units 6-8, Sunray Industrial Centre, 1/F 610 Cho Kwo Ling Road, Kowloon Tel:23489211-4 Fax:(852)27727666		
银同有限公司 Silver Town Limited Tel:0769-83354968 Fax:0769-83358954 E-MAIL ADDRESS:dgstkt@vip.163.COM		
DRAWING TITLE :		
[1C-.16]		
CAD File Name :		
Designed by		
Drawn by		
Reviewed by		
Approved by		
Scale		
DWG NO: WW1	- [1C-.16]	REV. 0

修改说明：角码做散件出货。



构件： 1C-17

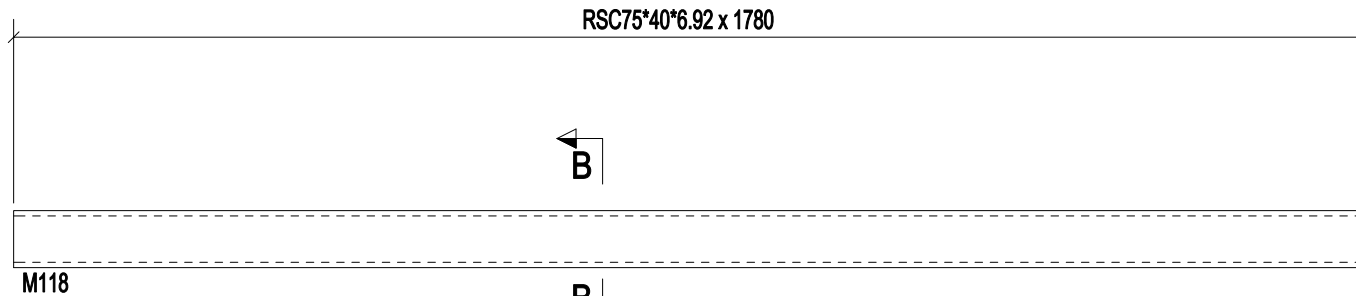


1 HORIZONTAL DETAIL
5012 (ALL R.C. STRUCTURAL INFORMATION UNDER SEPARATE SUBMISSION)

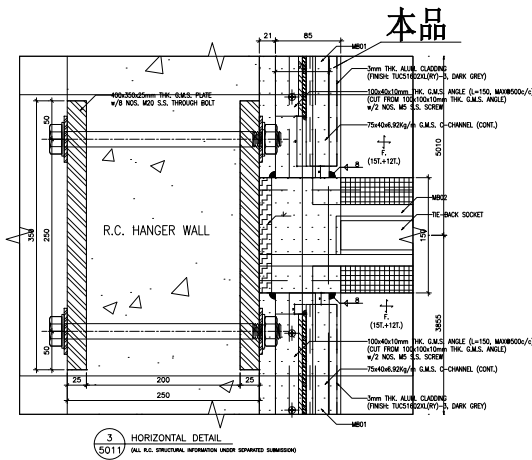
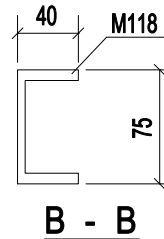
构件编号:	1C-17	构件数量:	1	构件重量:	24.95	
部件编号	规格(mm)	长度(mm)	数量	单重(kg)	共重(kg)	表面积(m ²)
M117	RSC75*40*6.92	3675	1	24.95	24.95	1.10
合计:					24.95	

A	第2次报批	2018-11-22
Rev.	Description	Date
PROJECT: PROPOSED SITE C1 DEVELOPMENT AT AREA 86, TKOTL 70 RP, TSEUNG KWAN O, NEW TERRITORIES		
CLIENT: 美特铝质有限公司 MIDI ALUMINIUM FABRICATOR LTD. Units 6-8, Sunray Industrial Centre, 1/F 510 Cha Kwo Ling Road, Kowloon Tel:23489211-4 Fax:(852)27727666		
[1C-.17]		
Designed by		
Drawn by		
Reviewed by		
Approved by		
Scale		
DWG NO:	WW1 - [1C-17]	REV. A

修改说明：角码做散件出货。



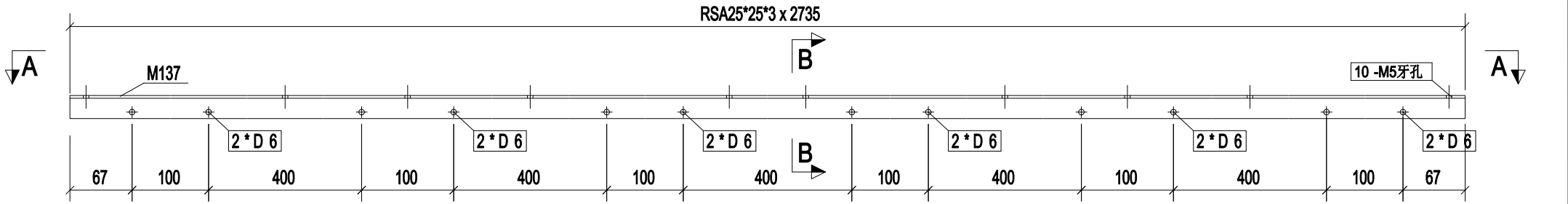
构件： 1C-18



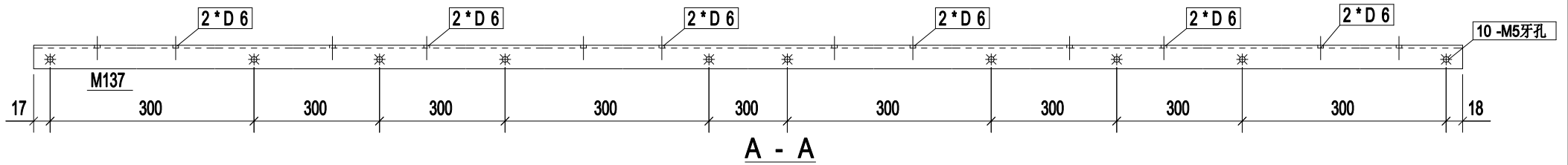
构件编号:	1C-18	构件数量:	1	构件重量:	12.09	
部件编号	规格(mm)	长度(mm)	数量	单重(kg)	共重(kg)	表面积(m ²)
M118	RSC75*40*6.92	1780	1	12.09	12.09	0.54
				合计:	12.09	

A	第2次报批	2018-11-22
Rev.	Description	Date
PROJECT: PROPOSED SITE C1 DEVELOPMENT AT AREA 86, TKOTL 70 RP, TSEUNG KWAN O, NEW TERRITORIES		
CLIENT: 美特铝质有限公司 MIDI ALUMINIUM FABRICATOR LTD. Units 6-8, Sunray Industrial Centre, 1/F 510 Cha Kwo Ling Road, Kowloon Tel:23489211-4 Fax:(852)27727666		
[1C-.18]		
Designed by		
Drawn by		
Reviewed by		
Approved by		
Scale		
DWG NO:	WW1 - [1C-18]	REV. A

构件编号:	1C-20	构件数量:	3	构件重量:	3.03	
部件编号	规格(mm)	长度(mm)	数量	单重(kg)	共重(kg)	表面积(m ²)
M137	RSA25*25*3	2735	1	3.03	3.03	0.27
合计:					3.03	

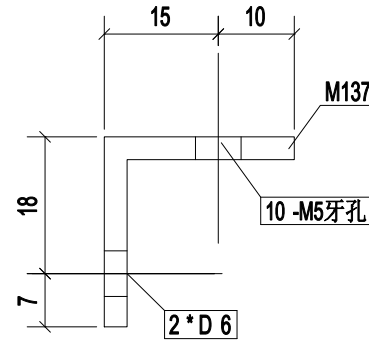
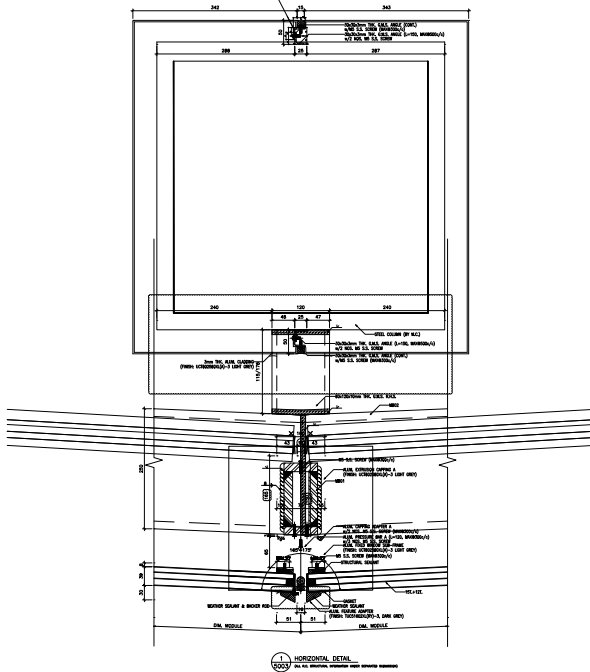


构件: 1C-20



A - A

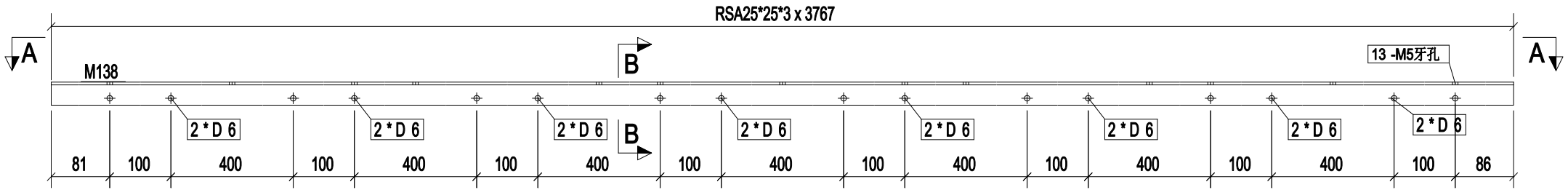
本品



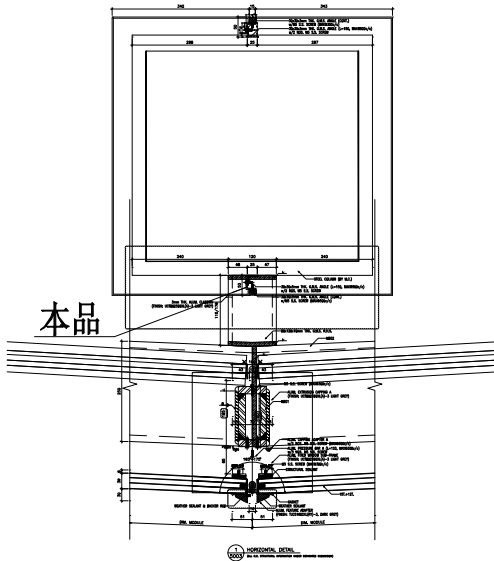
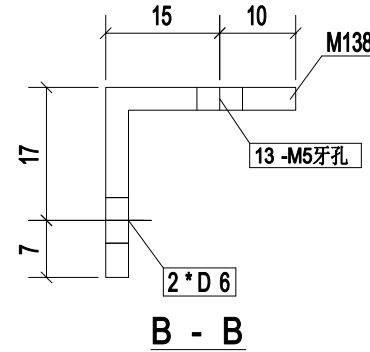
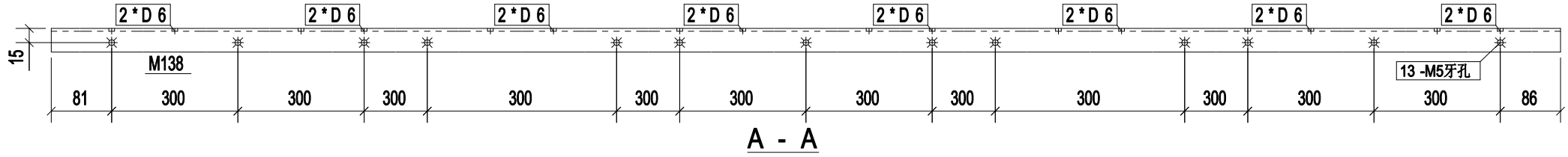
B - B

0	第1次报批	2018-11-15
Rev.	Description	Date
PROJECT: PROPOSED SITE C1 DEVELOPMENT AT AREA 86, TKOTL 70 RP, TSEUNG KWAN O, NEW TERRITORIES		
CLIENT: 美特铝质有限公司 MIDI ALUMINIUM FABRICATOR LTD. Units 6-8, Sunray Industrial Centre, 1/F 510 Cha Kwo Ling Road, Kowloon Tel:23489211-4 Fax:(852)27727666		
银同有限公司 Silver Town Limited Tel:0769-83354968 Fax:0769-83359954 E-MAIL ADDRESS:sgsttd@vip.163.COM		
DRAWING TITLE : [1C-20]		
CAD File Name :		
Designed by		
Drawn by		
Reviewed by		
Approved by		
Scale		
DWG NO.: WW1	- [1C-20]	REV. 0

构件编号:	1C-21	构件数量:	3	构件重量:	4.17	
部件编号	规格(mm)	长度(mm)	数量	单重(kg)	共重(kg)	表面积(m ²)
M138	RSA25*25*3	3767	1	4.17	4.17	0.38
合计:					4.17	

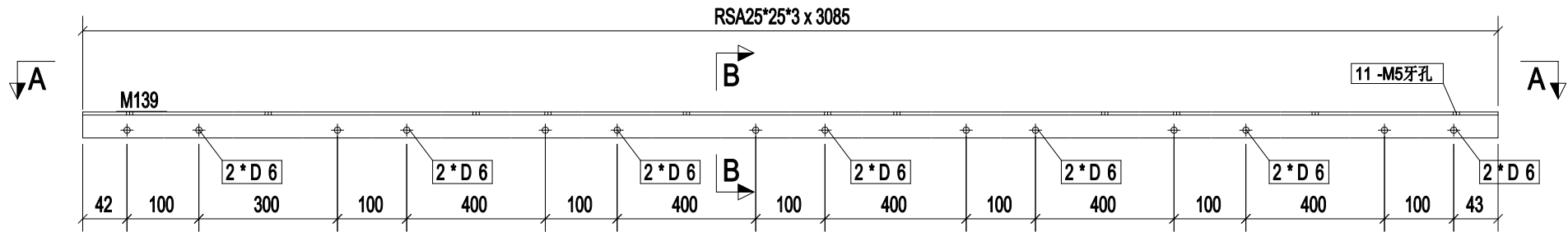


构件: 1C-21

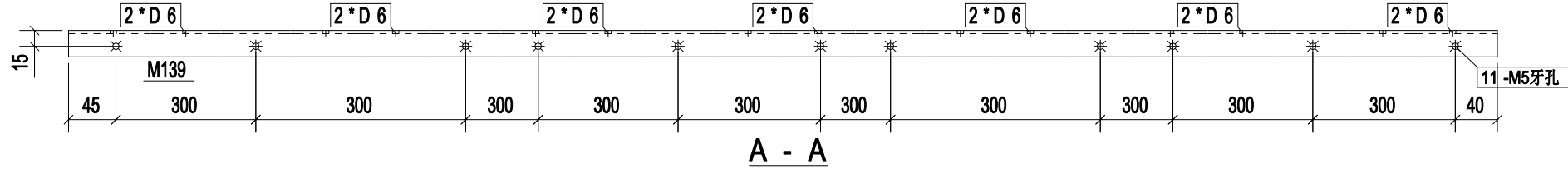


0	第1次报批	2018-11-15
Rev.	Description	Date
PROJECT:		
PROPOSED SITE C1 DEVELOPMENT AT AREA 86, TKOTL 70 RP, TSEUNG KWAN O, NEW TERRITORIES		
CLIENT:		
美特鋁質有限公司 MIDI ALUMINIUM FABRICATOR LTD. Units 6-8, Sunray Industrial Centre, 1/F 510 Cha Kwo Ling Road, Kowloon Tel:23489211-4 Fax:(852)27727666		
银同有限公司 Silver Town Limited Tel:0769-83354968 Fax:0769-83359954 E-MAIL ADDRESS:sgsttd@vip.163.COM		
DRAWING TITLE :		
[1C-.21]		
CAD File Name :		
Designed by		
Drawn by		
Reviewed by		
Approved by		
Scale		
DWG NO.: WW1	- [1C-.21]	REV. 0

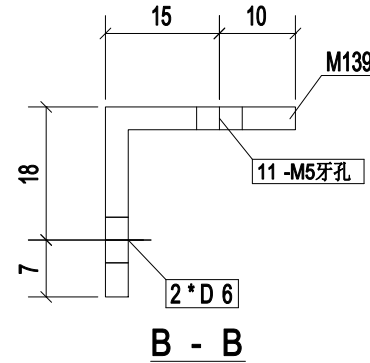
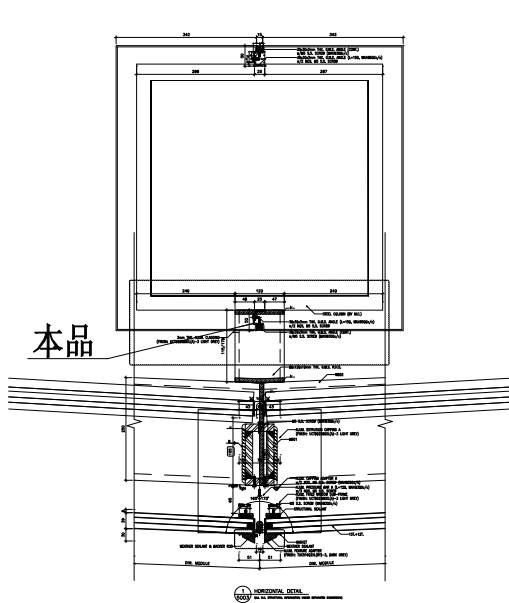
构件编号:	1C-22	构件数量:	4	构件重量:	3.41	
部件编号	规格(mm)	长度(mm)	数量	单重(kg)	共重(kg)	表面积(m ²)
M139	RSA25*25*3	3085	1	3.41	3.41	0.31
合计:					3.41	



构件: 1C-22



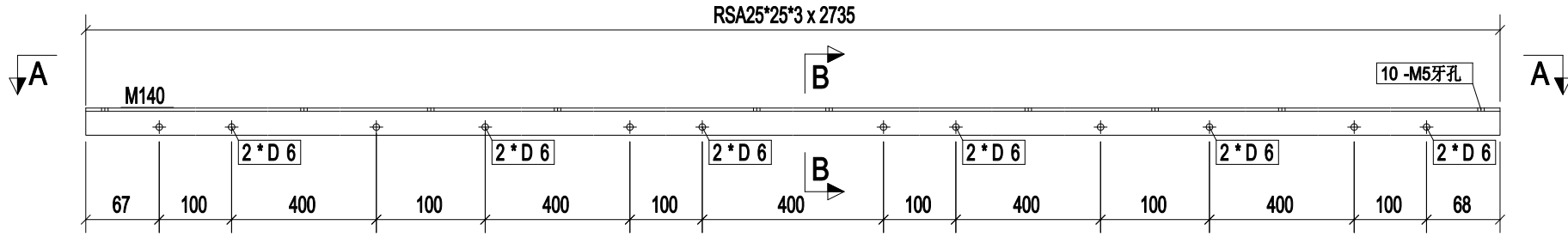
A - A



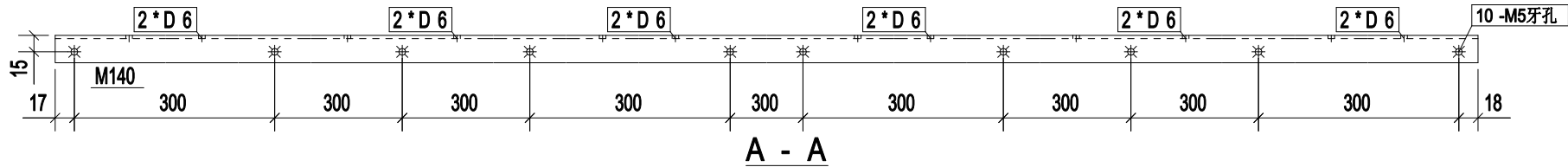
B - B

0	第1次报批	2018-11-15
Rev.	Description	Date
PROJECT: PROPOSED SITE C1 DEVELOPMENT AT AREA 86, TKOTL 70 RP, TSEUNG KWAN O, NEW TERRITORIES		
CLIENT: 美特铝质有限公司 MIDI ALUMINIUM FABRICATOR LTD. Units 6-8, Sunray Industrial Centre, 1/F 510 Cha Kwo Ling Road, Kowloon Tel:23489211-4 Fax:(852)27727666		
银同有限公司 Silver Town Limited Tel:0769-83354968 Fax:0769-83359954 E-MAIL ADDRESS:sgsttd@vip.163.COM		
DRAWING TITLE : [1C-22]		
CAD File Name :		
Designed by		
Drawn by		
Reviewed by		
Approved by		
Scale		
DWG NO.: WW1	- [1C-22]	REV. 0

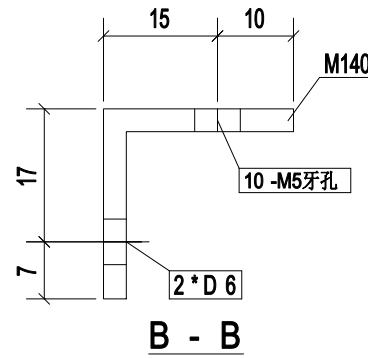
构件编号:	1C-23	构件数量:	3	构件重量:	3.03	
部件编号	规格(mm)	长度(mm)	数量	单重(kg)	共重(kg)	表面积(m ²)
M140	RSA25*25*3	2735	1	3.03	3.03	0.27
				合计:	3.03	



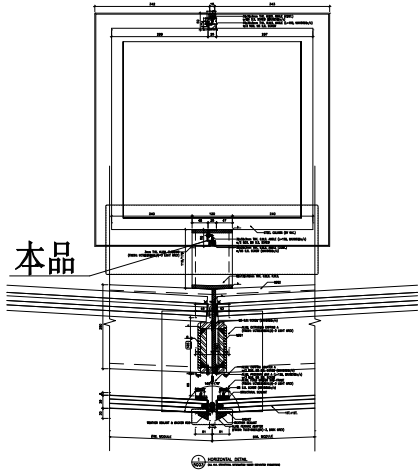
构件: 1C-23



A - A

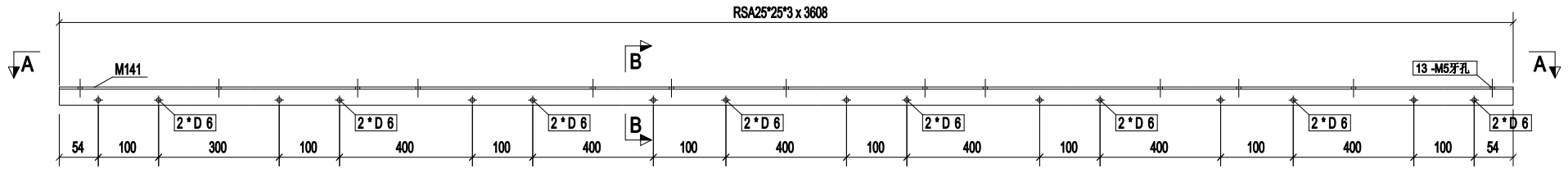


B - B

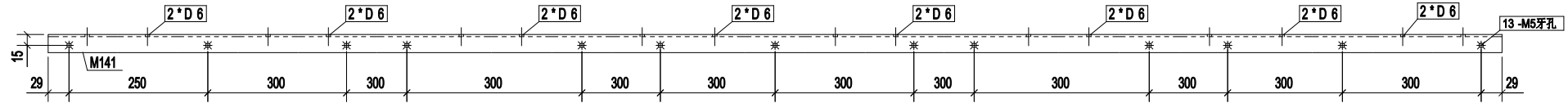


0	第1次报批	2018-11-15
Rev.	Description	Date
PROJECT: PROPOSED SITE C1 DEVELOPMENT AT AREA 86, TKOTL 70 RP, TSEUNG KWAN O, NEW TERRITORIES		
CLIENT: 美特鋁質有限公司 MIDI ALUMINIUM FABRICATOR LTD. Units 6-8, Sunray Industrial Centre, 1/F 510 Cha Kwo Ling Road, Kowloon Tel:23489211-4 Fax:(852)27727666		
银同有限公司 Silver Town Limited Tel:0769-83354968 Fax:0769-83359954 E-MAIL ADDRESS:sgsttd@vip.163.COM		
DRAWING TITLE : [1C-.23]		
CAD File Name :		
Designed by		
Drawn by		
Reviewed by		
Approved by		
Scale		
DWG NO.: WW1	- [1C-.23]	REV. 0

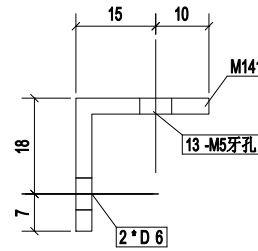
构件编号:	1C-24	构件数量:	3	构件重量:	3.99	
部件编号	规格(mm)	长度(mm)	数量	单重(kg)	共重(kg)	表面积(m ²)
M141	RSA25*25*3	3608	1	3.99	3.99	0.36
合计:					3.99	



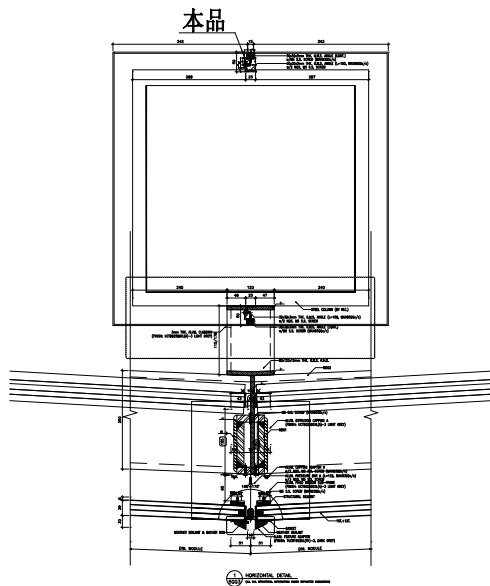
构件: 1C-24



A - A

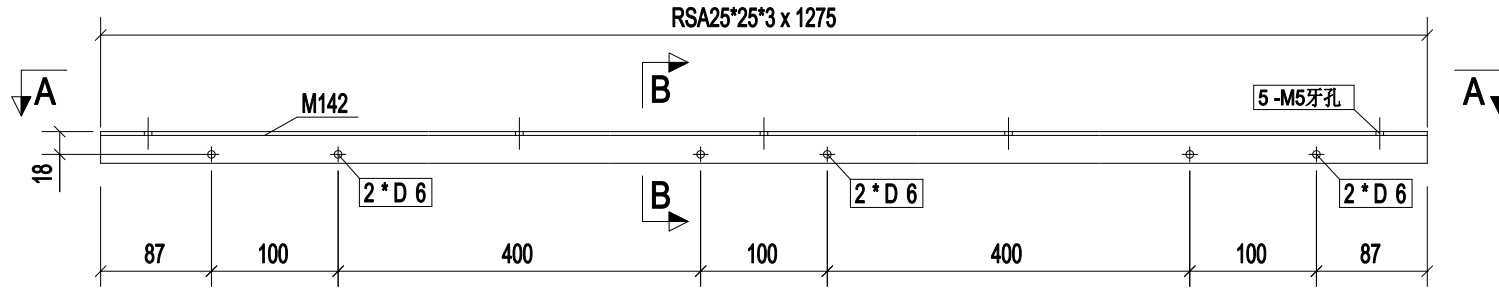


B - B

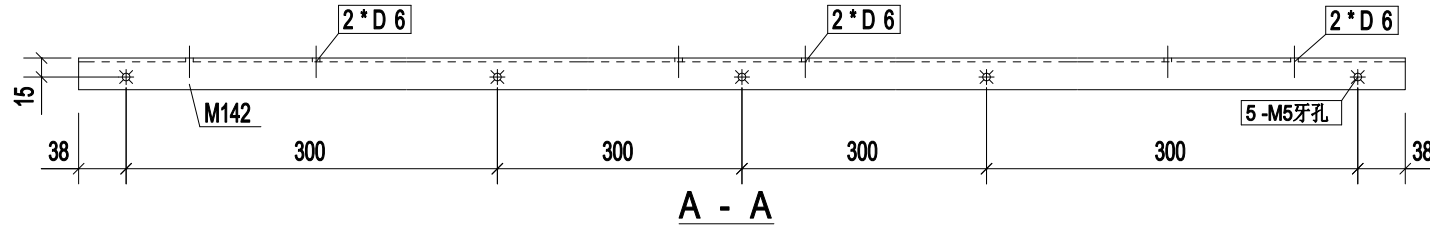


0	第1次报批	2018-11-15
Rev.	Description	Date
PROJECT: PROPOSED SITE C1 DEVELOPMENT AT AREA 86, TKO TL 70 RP, TSEUNG KWAN O, NEW TERRITORIES		
CLIENT: 美特鋁質有限公司 MIDI ALUMINIUM FABRICATOR LTD. Units 6-8, Sunray Industrial Centre, 1/F 610 Cho Kwo Ling Road, Kowloon Tel:23489211-4 Fax:(852)27727666		
银同有限公司 Silver Town Limited Tel:0769-83354968 Fax:0769-83358954 E-MAIL ADDRESS:dgstkt@vip.163.COM		
DRAWING TITLE : [1C-.24]		
CAD File Name :		
Designed by		
Drawn by		
Reviewed by		
Approved by		
Scale		
DWG NO: WW1	- [1C-.24]	REV. 0

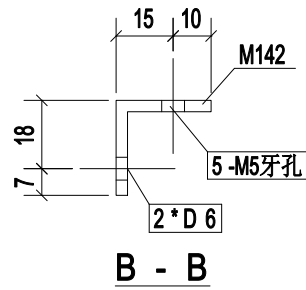
构件编号:	1C-25	构件数量:	4	构件重量:	1.41	
部件编号	规格(mm)	长度(mm)	数量	单重(kg)	共重(kg)	表面积(m ²)
M142	RSA25*25*3	1275	1	1.41	1.41	0.13
合计:					1.41	



构件: 1C-25

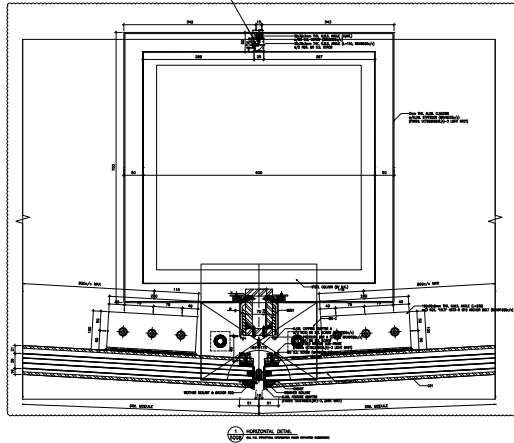




A - A



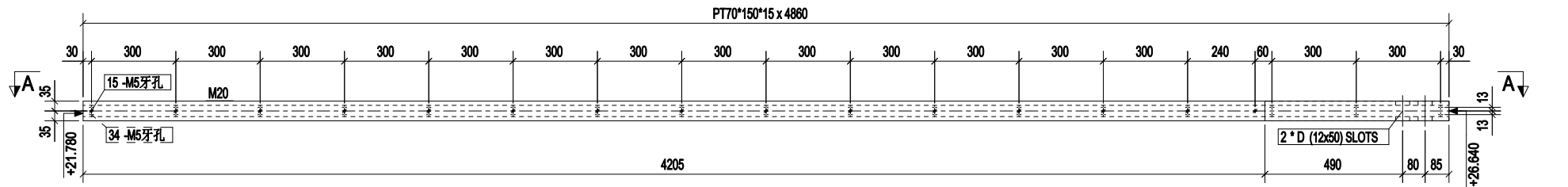
B - B

本品

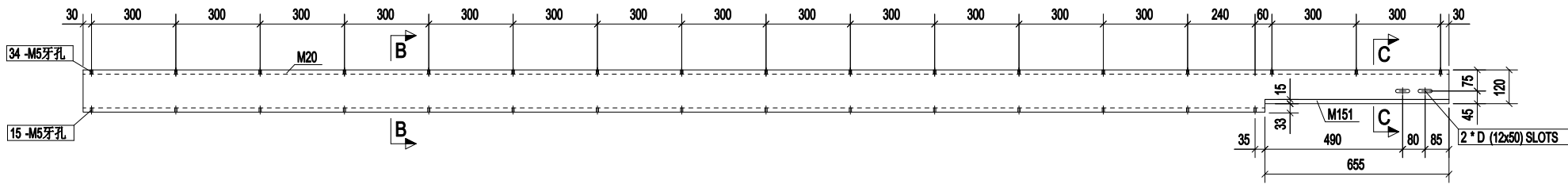


0	第1次报批	2018-11-15
Rev.	Description	Date
PROJECT: PROPOSED SITE C1 DEVELOPMENT AT AREA 86, TKOTL 70 RP, TSEUNG KWAN O, NEW TERRITORIES		
CLIENT:  美特鋁質有限公司 Units 6-8, Sunray Industrial Centre, 1/F 510 Cha Kwo Ling Road, Kowloon Tel:23489211-4 Fax:(852)27727666		
 银同有限公司 Silver Town Limited Tel:0769-83354968 Fax:0769-83359954 E-MAIL ADDRESS:sgsttd@vip.163.COM		
DRAWING TITLE : [1C-.25]		
CAD File Name :		
Designed by		
Drawn by		
Reviewed by		
Approved by		
Scale		
DWG NO.: WW1	- [1C-25]	REV. 0

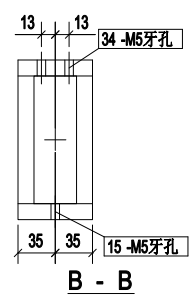
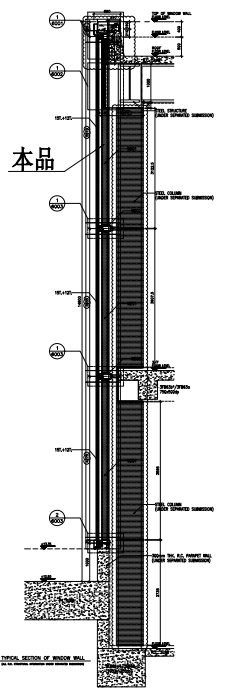
构件编号:	1C-26	构件数量:	14	构件重量:	222.86	
部件编号	规格(mm)	长度(mm)	数量	单重(kg)	共重(kg)	表面积(m ²)
M20	PT70*150*15	4860	1	217.46	217.46	1.97
M151	PL15*70	655	1	5.40	5.40	0.11
合计: 222.86						



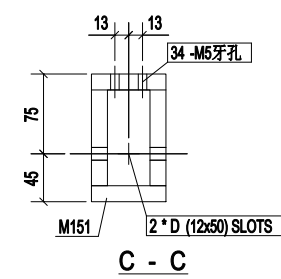
构件: 1C-26



A - A



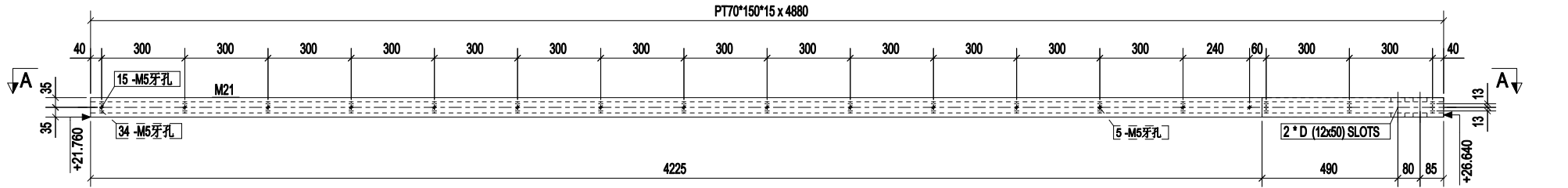
B - B



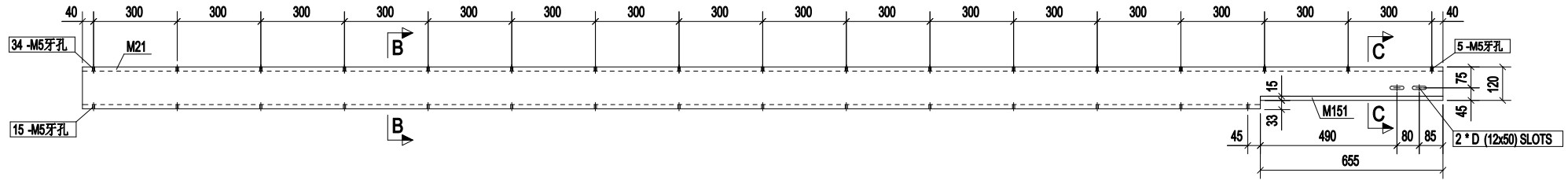
C - C

0	第1次报批	2018-11-15
Rev.	Description	Date
PROJECT: PROPOSED SITE C1 DEVELOPMENT AT AREA 86, TKOTL 70 RP, TSEUNG KWAN O, NEW TERRITORIES		
CLIENT: 美特鋁質有限公司 MIDI ALUMINIUM FABRICATOR LTD. Units 6-8, Sunray Industrial Centre, 1/F 610 Cho Kwo Ling Road, Kowloon Tel:23489211-4 Fax:(852)27727666		
银同有限公司 Silver Town Limited Tel:0769-83354968 Fax:0769-83358954 E-MAIL ADDRESS:dgstkt@vip.163.COM		
DRAWING TITLE : [1C-.26]		
CAD File Name :		
Designed by		
Drawn by		
Reviewed by		
Approved by		
Scale		
DWG NO: WW1	- [1C-.26]	REV. 0

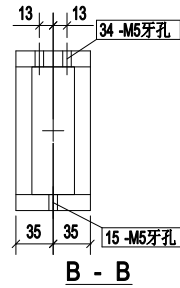
构件编号:	1C-27	构件数量:	5	构件重量:	223.75	
部件编号	规格(mm)	长度(mm)	数量	单重(kg)	共重(kg)	表面积(m ²)
M21	PT70*150*15	4880	1	218.36	218.36	1.98
M151	PL15*70	655	1	5.40	5.40	0.11
合计: 223.75						



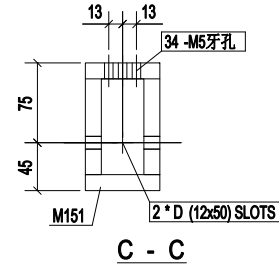
构件: 1C-27



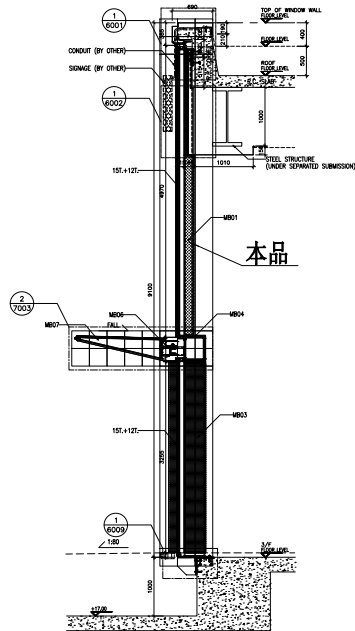
A - A



B - B



C - C

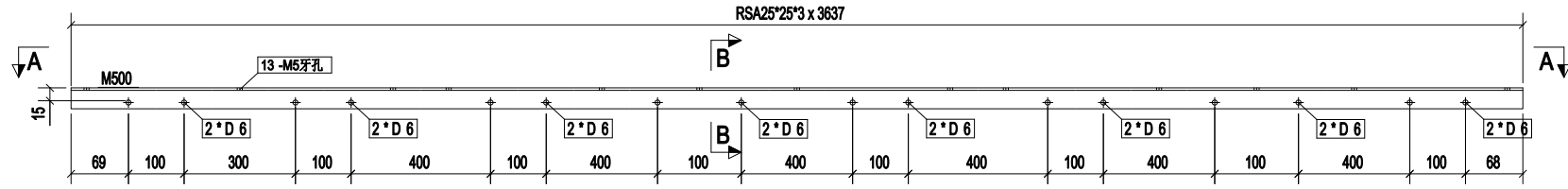


1 4004 TYPICAL SECTION OF WINDOW WALL
ALL DIMENSIONS UNLESS OTHERWISE SPECIFIED

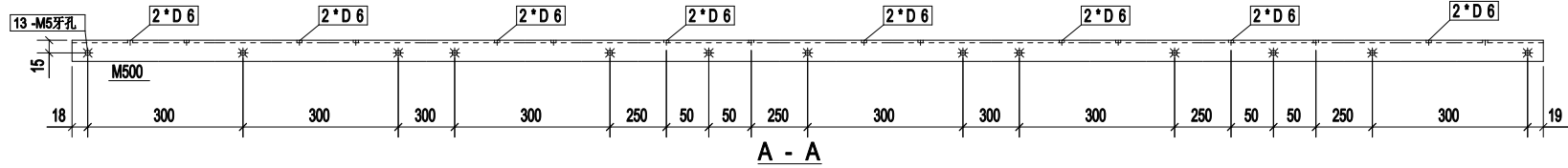
0	第1次报批	2018-11-15
Rev.	Description	Date
PROJECT: PROPOSED SITE C1 DEVELOPMENT AT AREA 86, TKOTL 70 RP, TSEUNG KWAN O, NEW TERRITORIES		
CLIENT: 美特铝质有限公司 MIDI ALUMINIUM FABRICATOR LTD. Units 6-8, Sunray Industrial Centre, 1/F 610 Cho Kwo Ling Road, Kowloon Tel:23489211-4 Fax:(852)27727666		
银同有限公司 Silver Town Limited Tel:0769-83354968 Fax:0769-83358954 E-MAIL ADDRESS:dgstkt@vip.163.COM		

DRAWING TITLE :	
[1C-27]	
CAD File Name :	
Designed by	
Drawn by	
Reviewed by	
Approved by	
Scale	
DWG NO: WW1 - [1C-27]	REV. 0

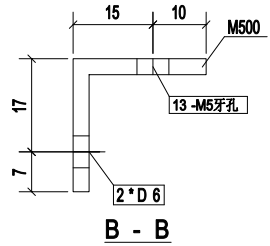
构件编号:	1C-28	构件数量:	1	构件重量:	4.03	
部件编号	规格(mm)	长度(mm)	数量	单重(kg)	共重(kg)	表面积(m ²)
M500	RSA25*25*3	3637	1	4.03	4.03	0.36
合计:					4.03	



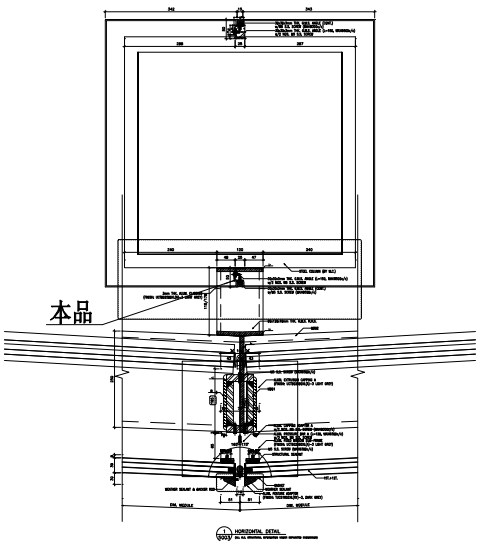
构件: 1C-28





A - A

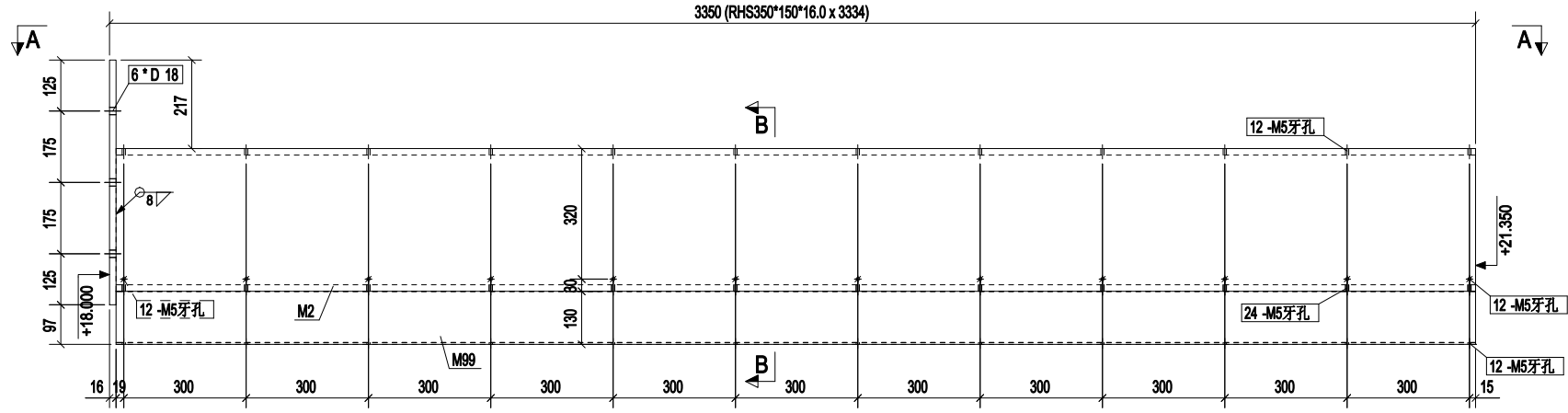


B - B

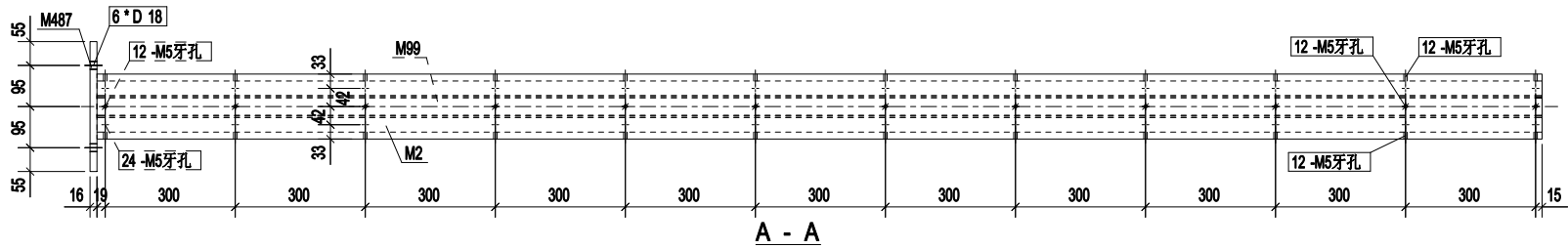


0	第1次报批	2018-11-15
Rev.	Description	Date
PROJECT: PROPOSED SITE C1 DEVELOPMENT AT AREA 86, TKOTL 70 RP, TSEUNG KWAN O, NEW TERRITORIES		
CLIENT:  美特鋁質有限公司 MIDI ALUMINIUM FABRICATOR LTD. Units 6-8, Sunray Industrial Centre, 1/F 610 Cho Kwo Ling Road, Kowloon Tel:23489211-4 Fax:(852)27727666		
 银同有限公司 Silver Town Limited Tel:0769-83354968 Fax:0769-83358954 E-MAIL ADDRESS:dgstkt@vip.163.COM		
DRAWING TITLE : [1C-.28]		
CAD File Name :		
Designed by		
Drawn by		
Reviewed by		
Approved by		
Scale		
DWG NO: WW1	- [1C-.28]	REV. 0

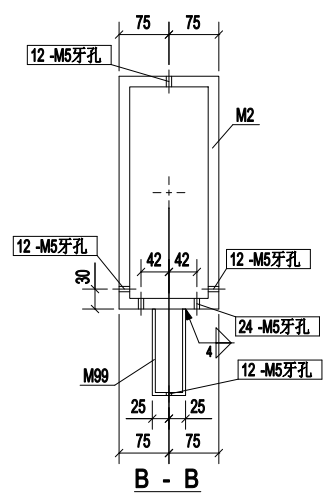
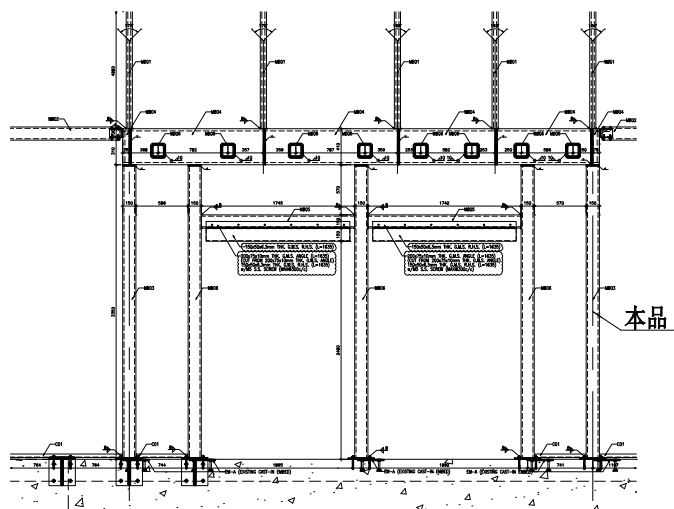
构件编号:	1C-29	构件数量:	1	构件重量:	452.32	
部件编号	规格(mm)	长度(mm)	数量	单重(kg)	共重(kg)	表面积(m ²)
M2	RHS350*150*16.0	3334	1	384.73	384.73	3.20
M99	RHS150*50*4.5	3334	1	44.99	44.99	1.05
M487	PL16*300	600	1	22.61	22.61	0.39
				合计:	452.32	



构件: 1C-29



A - A

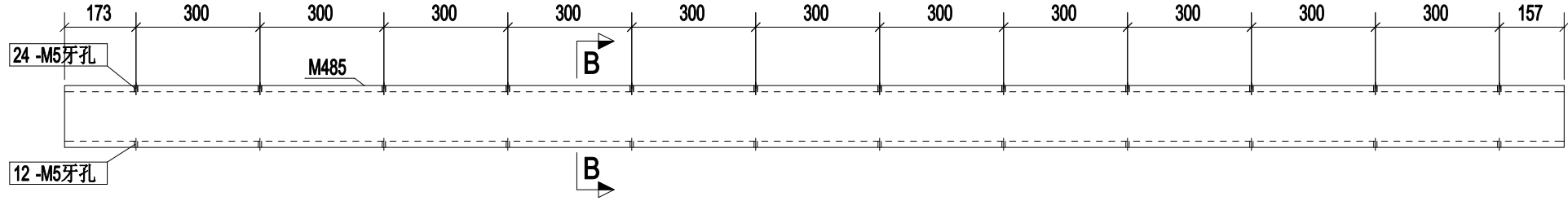
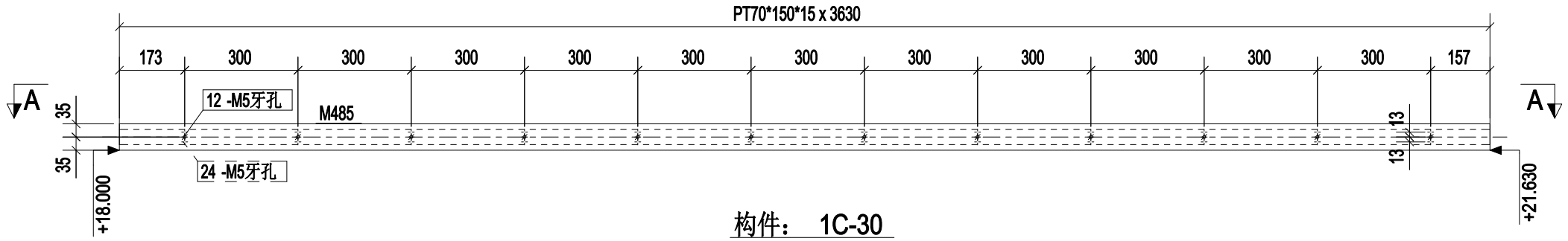


B - B

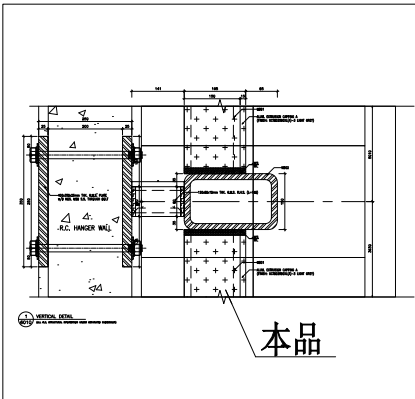
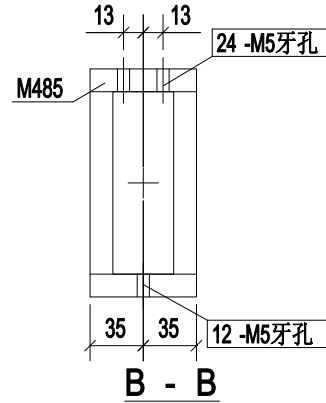
0	第1次报批	2018-11-15
Rev.	Description	Date
PROJECT: PROPOSED SITE C1 DEVELOPMENT AT AREA 86, TKOIL 70 RP, TSEUNG KWAN O, NEW TERRITORIES		
CLIENT: 美特铝质有限公司 MIDI ALUMINIUM FABRICATOR LTD. Units 6-8, Sunray Industrial Centre, 1/F 610 Cho Kwo Ling Road, Kowloon Tel:23489211-4 Fax:(852)2727666		
银同有限公司 Silver Town Limited Tel:0769-83354968 Fax:0769-83358954 E-MAIL ADDRESS:dgstkt@vip.163.COM		
DRAWING TITLE : [1C-29]		
CAD File Name :		
Designed by		
Drawn by		
Reviewed by		
Approved by		
Scale		
DWG NO: WW1	- [1C-29]	REV. 0

100% HORIZONTAL STEEL FRAME FOR CANOPY PORTAL

构件编号:	1C-30	构件数量:	1	构件重量:	162.42	
部件编号	规格(mm)	长度(mm)	数量	单重(kg)	共重(kg)	表面积(m ²)
M485	PT70*150*15	3630	1	162.42	162.42	1.54
合计: 162.42						

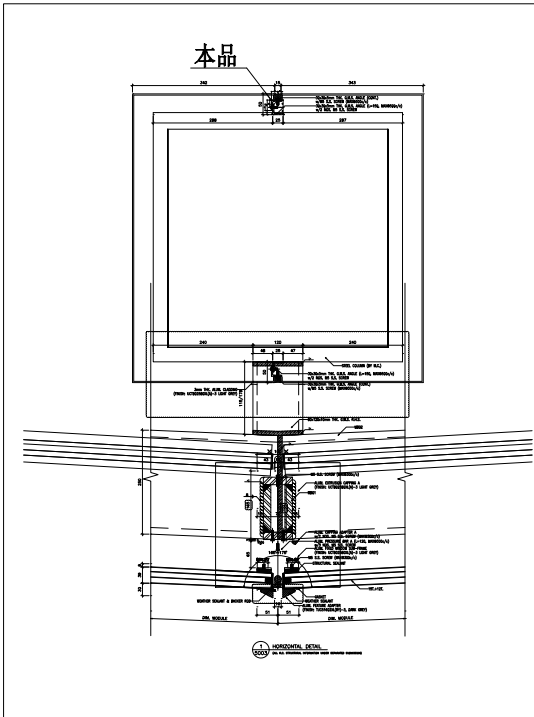
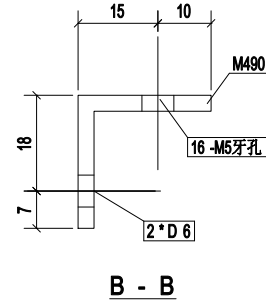
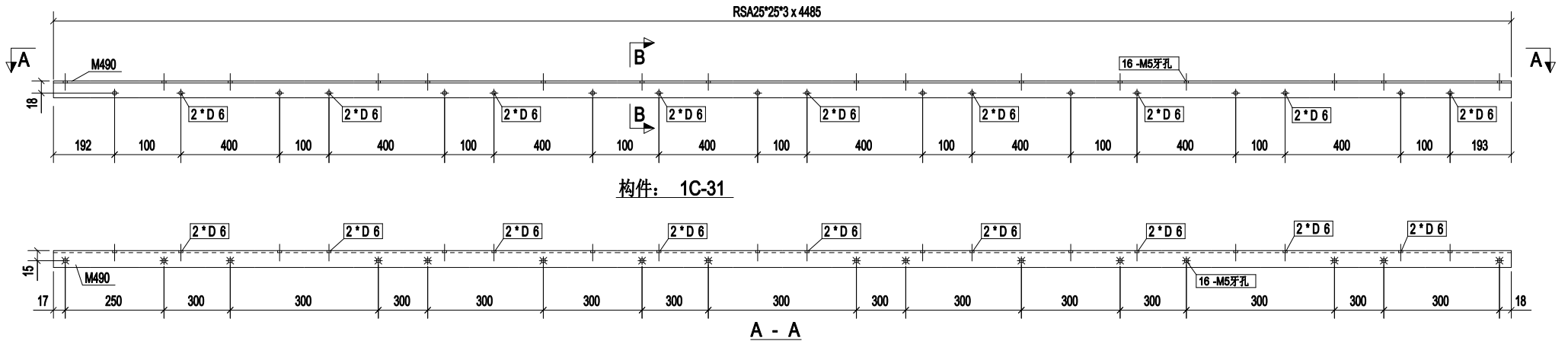




A - A



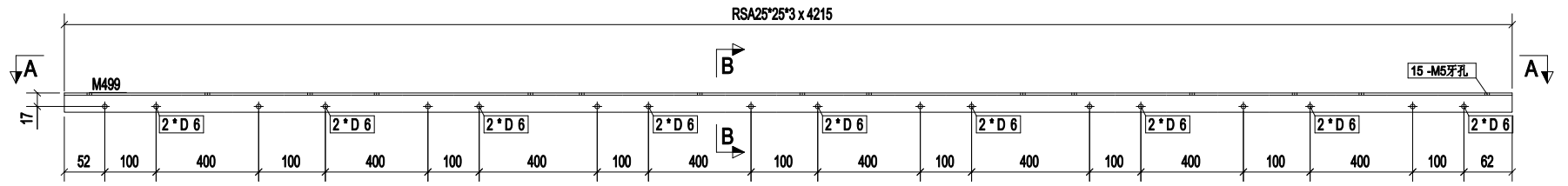
0	第1次报批	2018-11-15
Rev.	Description	Date
PROJECT: PROPOSED SITE C1 DEVELOPMENT AT AREA 86, TKOTL 70 RP, TSEUNG KWAN O, NEW TERRITORIES		
CLIENT: 美特铝质有限公司 MIDI ALUMINIUM FABRICATOR LTD. Units 6-8, Sunray Industrial Centre, 1/F 510 Cha Kwo Ling Road, Kowloon Tel:23489211-4 Fax:(852)2727666		
银同有限公司 Silver Town Limited Tel:0769-83354968 Fax:0769-83359954 E-MAIL ADDRESS:sgsttd@vip.163.COM		
DRAWING TITLE : [1C-30]		
CAD File Name :		
Designed by		
Drawn by		
Reviewed by		
Approved by		
Scale		
DWG NO.: WW1	- [1C-30]	REV. 0

构件编号:	1C-31	构件数量:	2	构件重量:	4.96	
部件编号	规格(mm)	长度(mm)	数量	单重(kg)	共重(kg)	表面积(m ²)
M490	RSA25*25*3	4485	1	4.96	4.96	0.45
合计:					4.96	

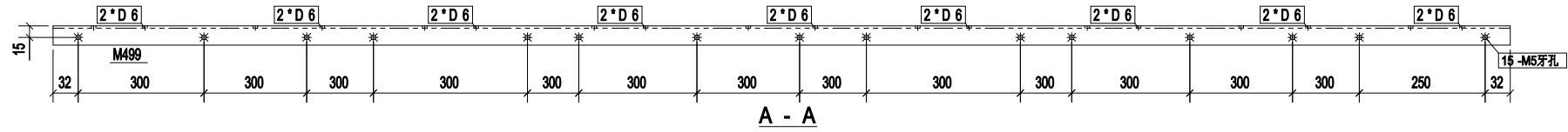


0	第1次报批	2018-11-15
Rev.	Description	Date
PROJECT: PROPOSED SITE C1 DEVELOPMENT AT AREA 86, TKOTL 70 RP, TSEUNG KWAN O, NEW TERRITORIES		
CLIENT:  美特鋁質有限公司 MIDI ALUMINIUM FABRICATOR LTD. Units 6-8, Sunray Industrial Centre, 1/F 610 Cho Kwo Ling Road, Kowloon Tel:23489211-4 Fax:(852)27727666		
 银同有限公司 Silver Town Limited Tel:0769-83354968 Fax:0769-83358954 E-MAIL ADDRESS:dgstkt@vip.163.COM		
DRAWING TITLE : [1C-31]		
CAD File Name :		
Designed by		
Drawn by		
Reviewed by		
Approved by		
Scale		
DWG NO: WW1	- [1C-31]	REV. 0

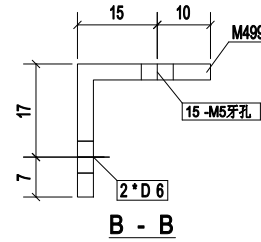
构件编号:	1C-32	构件数量:	3	构件重量:	4.67	
部件编号	规格(mm)	长度(mm)	数量	单重(kg)	共重(kg)	表面积(m ²)
M499	RSA25*25*3	4215	1	4.67	4.67	0.42
合计:					4.67	



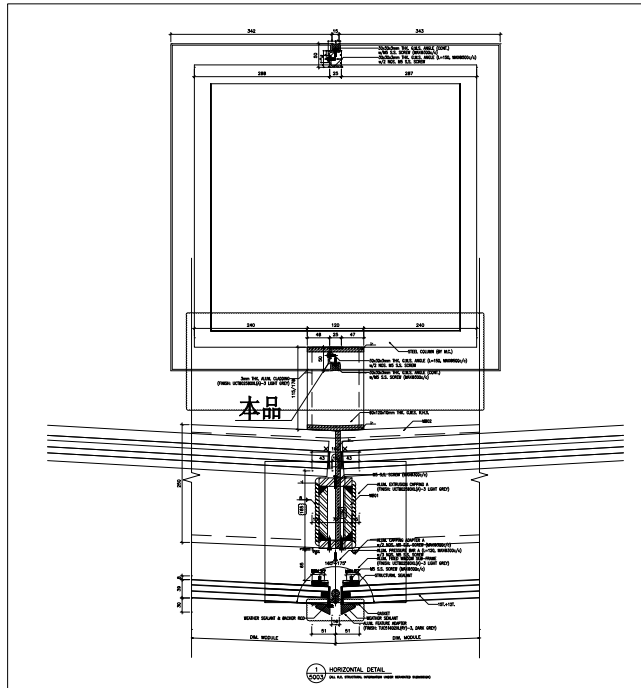
构件: 1C-32





A - A

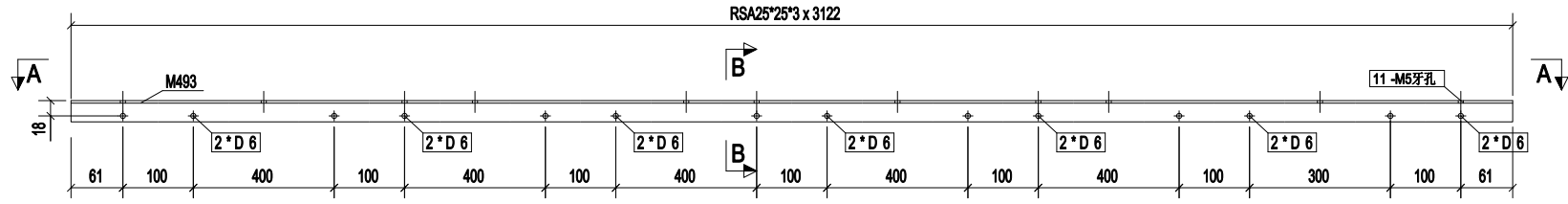


B - B

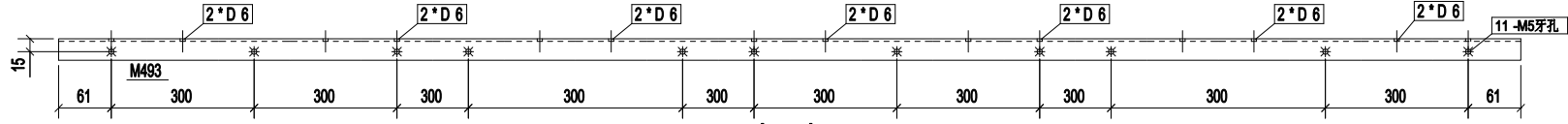


0	第1次报批	2018-11-15
Rev.	Description	Date
PROJECT: PROPOSED SITE C1 DEVELOPMENT AT AREA 86, TKO TL 70 RP, TSEUNG KWAN O, NEW TERRITORIES		
CLIENT:  美特鋁質有限公司 MIDI ALUMINIUM FABRICATOR LTD. Units 6-8, Sunray Industrial Centre, 1/F 610 Cho Kwo Ling Road, Kowloon Tel:23489211-4 Fax:(852)2727666		
 银同有限公司 Silver Town Limited Tel:0769-83354968 Fax:0769-83358954 E-MAIL ADDRESS:dgstkl@vip.163.COM		
DRAWING TITLE : [1C-.32]		
CAD File Name :		
Designed by		
Drawn by		
Reviewed by		
Approved by		
Scale		
DWG NO: WW1	- [1C-.32]	REV. 0

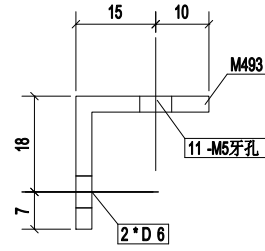
构件编号:	1C-34	构件数量:	4	构件重量:	3.46	
部件编号	规格(mm)	长度(mm)	数量	单重(kg)	共重(kg)	表面积(m ²)
M493	RSA25*25*3	3122	1	3.46	3.46	0.31
合计:					3.46	



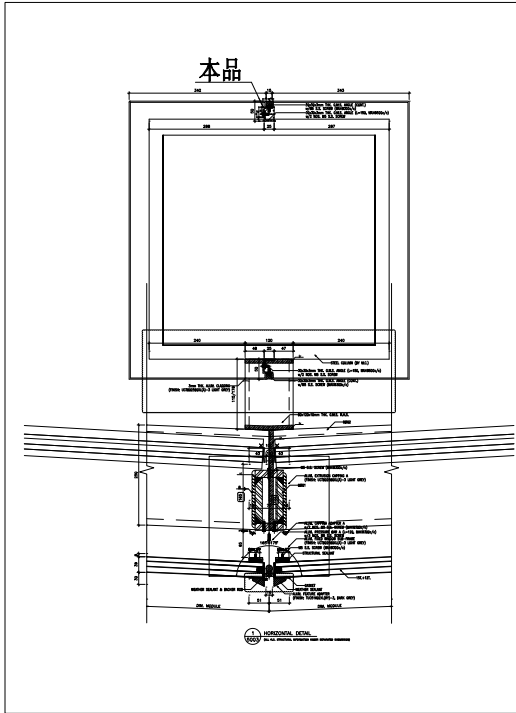
构件: 1C-34



A - A

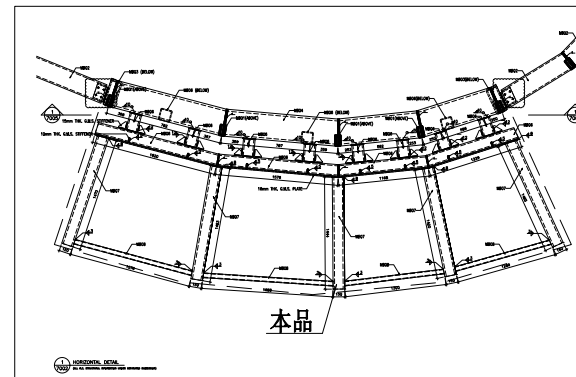
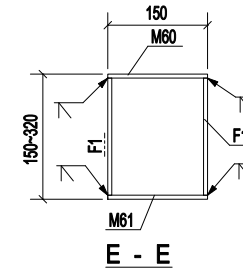
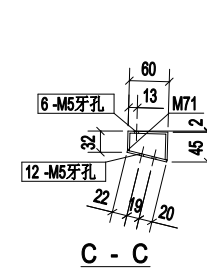
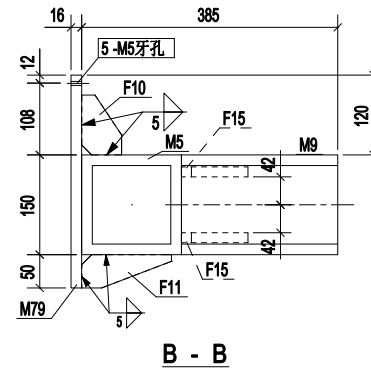
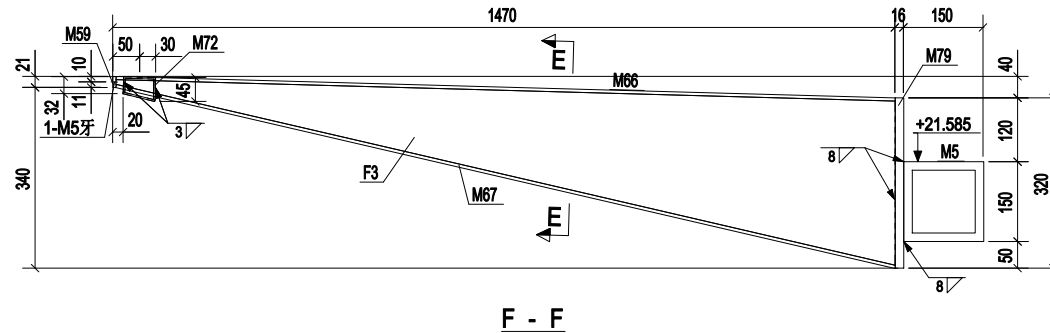
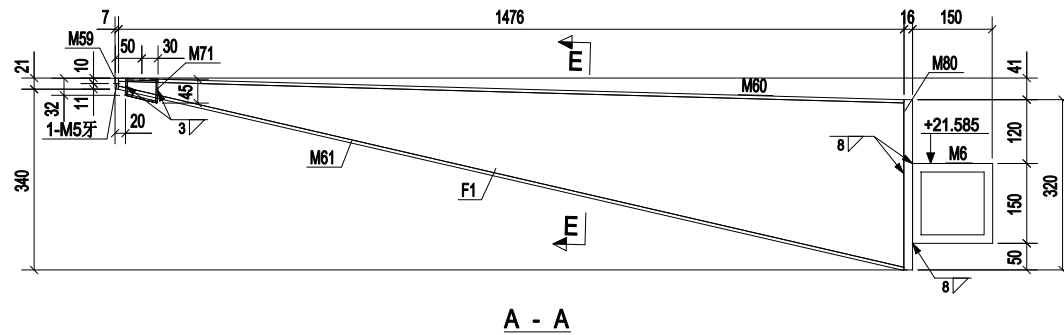


B - B



0	第1次报批	2018-11-15
Rev.	Description	Date
PROJECT: PROPOSED SITE C1 DEVELOPMENT AT AREA 86, TKOTL 70 RP, TSEUNG KWAN O, NEW TERRITORIES		
CLIENT: 美特鋁質有限公司 MIDI ALUMINIUM FABRICATOR LTD. Units 6-8, Sunray Industrial Centre, 1/F 610 Cho Kwo Ling Road, Kowloon Tel:23489211-4 Fax:(852)27727666		
银同有限公司 Silver Town Limited Tel:0769-83354968 Fax:0769-83358954 E-MAIL ADDRESS:dgstkt@vip.163.COM		
DRAWING TITLE : [1C-.34]		
CAD File Name :		
Designed by		
Drawn by		
Reviewed by		
Approved by		
Scale		
DWG NO: WW1	- [1C-.34]	REV. 0

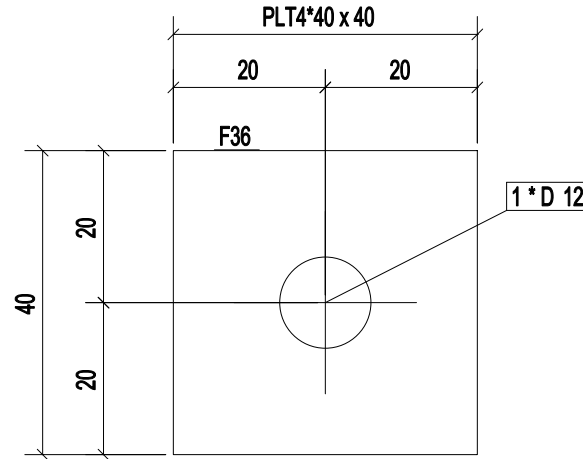
构件编号: 1GJ-1		构件数量: 1		构件重量: 1116.56		
部件编号	规格(mm)	长度(mm)	数量	单重(kg)	共重(kg)	表面积(m ²)
F1	PLT6*308.7	1485	2	21.59	43.18	0.49
F2	PLT6*306.5	1464	1	21.13	21.13	0.48
F3	PLT6*308.4	1473	1	21.40	21.40	0.48
F4	PLT6*308.7	1446	2	21.03	42.06	0.48
F5	PLT6*308.7	1422	2	20.67	41.35	0.47
F6	PLT6*308.7	1468	1	21.34	21.34	0.48
F7	PLT6*305.7	1451	1	20.89	20.89	0.47
F8	PLT10*60	90	3	0.42	1.27	0.01
F9	PLT10*50	135	3	0.53	1.59	0.01
F10	PLT10*60	90	5	0.42	2.12	0.01
F11	PLT10*50	135	5	0.53	2.65	0.01
F15	PLT15*100	100	32	1.18	37.68	0.02
M5	SHS150*150*16.0	1618	1	107.35	107.35	0.92
M6	SHS150*150*16.0	1573	1	104.38	104.38	0.90
M7	SHS150*150*16.0	1165	1	77.28	77.28	0.66
M8	SHS150*150*16.0	1225	1	81.29	81.29	0.70
M9	SHS150*150*16.0	235	8	15.59	124.74	0.13
M59	PL6*20.9	150	3	0.15	0.44	0.01
M60	PL6*150	1477	1	10.43	10.43	0.46
M61	PL6*150	1515	1	10.71	10.71	0.47
M62	PL6*150	1438	1	10.16	10.16	0.45
M63	PL6*150	1478	1	10.44	10.44	0.46
M64	PL6*150	1414	1	9.99	9.99	0.44
M65	PL6*150	1454	1	10.27	10.27	0.45
M66	PL6*150	1465	1	10.35	10.35	0.46
M67	PL6*150	1504	1	10.62	10.62	0.47
M68	PL6*20.9	150	2	0.15	0.30	0.01
M69	PL6*150	1460	1	10.31	10.31	0.45
M70	PL6*150	1499	1	10.59	10.59	0.47
M71	RHS60*45*3.0	1685	1	7.83	7.83	0.23
M72	RHS60*45*3.0	1573	1	7.32	7.32	0.21
M73	RHS60*45*3.0	1297	1	6.02	6.02	0.18
M74	RHS60*45*3.0	1284	1	5.96	5.96	0.17
M75	PL3*61.4	1685	1	2.44	2.44	0.22
M76	PL3*61.4	1573	1	2.27	2.27	0.20
M77	PL3*61.4	1297	1	1.87	1.87	0.17
M78	PL3*61.4	1284	1	1.86	1.86	0.16
M79	PL16*320	1619	1	65.08	65.08	1.10
M80	PL16*320	1576	1	63.35	63.35	1.07
M81	PL16*320	1168	1	46.94	46.94	0.79
M82	PL16*320	1227	1	49.31	49.31	0.83
合计:				1116.5		



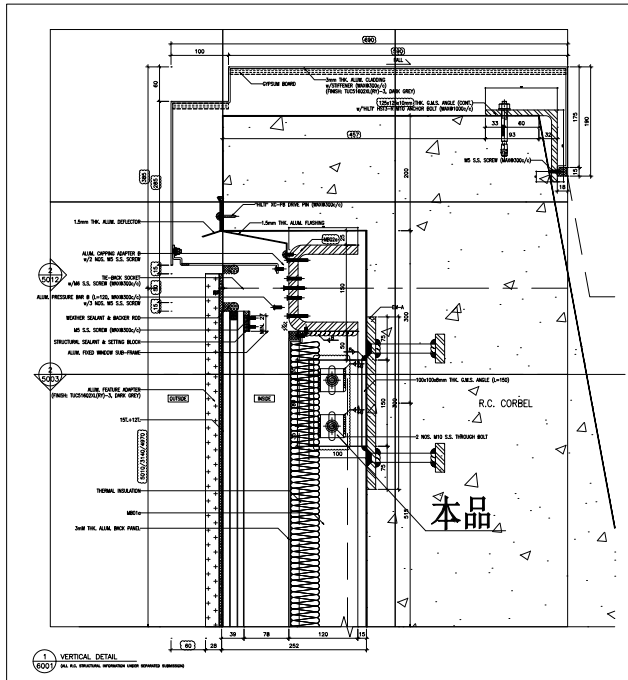
0	第1次报批	2018-11-15
Rev.	Description	Date
PROJECT: PROPOSED SITE C1 DEVELOPMENT AT AREA 86, TKOTL 70 RP, TSEUNG KWAN O, NEW TERRITORIES		
CLIENT: 美特铝质有限公司 MIDI ALUMINIUM FABRICATOR LTD. Units 6-8, Sunray Industrial Centre, 1/F 610 Cho Kwo Ling Road, Kowloon Tel:23489211-4 Fax:(852)27727666		
S 银同有限公司 Silver Town Limited Tel:0769-83354968 Fax:0769-83358954 E-MAIL ADDRESS:dgstkt@vip.163.COM		

DRAWING TITLE :	
[1GJ-1]	
CAD File Name :	
Designed by	
Drawn by	
Reviewed by	
Approved by	
Scale	
DWG NO: WW1	REV. 0

构件编号:	1P-1	构件数量:	168	构件重量:	0.05	
部件编号	规格(mm)	长度(mm)	数量	单重(kg)	共重(kg)	表面积(m ²)
F36	PLT4*40	40	1	0.05	0.05	0.00
合计:					0.05	

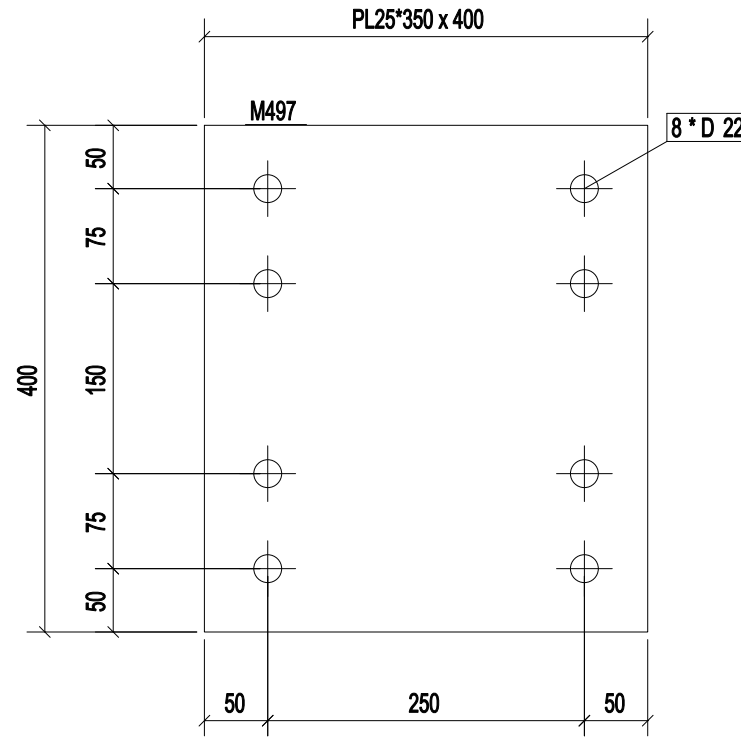


构件: 1P-1

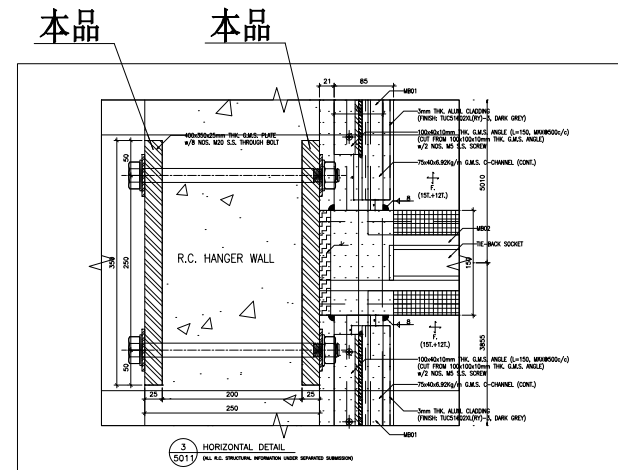
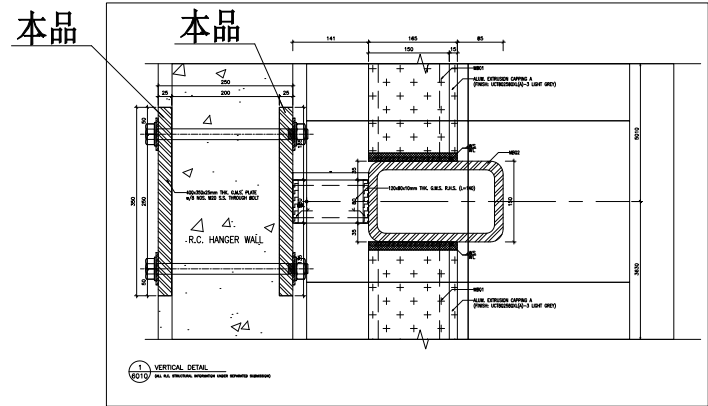


0	第1次报批	2018-11-15
Rev.	Description	Date
PROJECT: PROPOSED SITE C1 DEVELOPMENT AT AREA 86, TKOTL 70 RP, TSEUNG KWAN O, NEW TERRITORIES		
CLIENT: 美特铝质有限公司 MIDI ALUMINIUM FABRICATOR LTD. Units 6-8, Sunray Industrial Centre, 1/F 510 Cha Kwo Ling Road, Kowloon Tel:23489211-4 Fax:(852)27727666		
银同有限公司 Silver Town Limited Tel:0769-83354968 Fax:0769-83359954 E-MAIL ADDRESS:sgst@vip.163.COM		
DRAWING TITLE : [1P-1]		
CAD File Name :		
Designed by		
Drawn by		
Reviewed by		
Approved by		
Scale		
DWG NO.: WW1	- [1P-1]	REV. 0

构件编号:	1P-2	构件数量:	4	构件重量:	27.48	
部件编号	规格(mm)	长度(mm)	数量	单重(kg)	共重(kg)	表面积(m ²)
M497	PL25*350	400	1	27.48	27.48	0.32
				合计:	27.48	

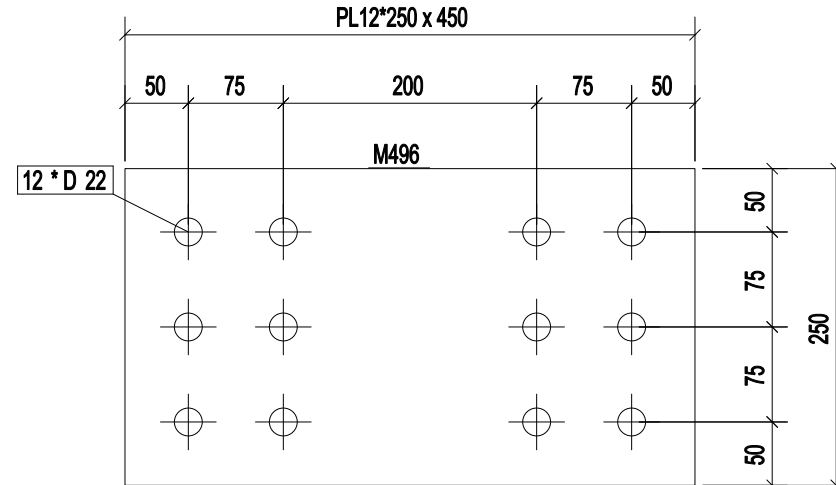


构件: 1P-2

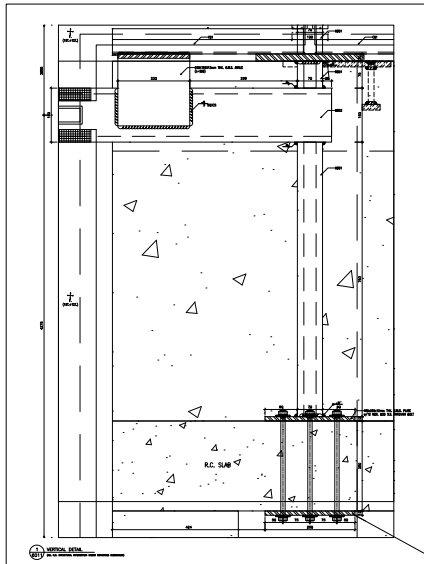


0	第1次报批	2018-11-15
Rev.	Description	Date
PROJECT: PROPOSED SITE C1 DEVELOPMENT AT AREA 86, TKOTL 70 RP, TSEUNG KWAN O, NEW TERRITORIES		
CLIENT: 美特铝质有限公司 MIDI ALUMINIUM FABRICATOR LTD. Units 6-8, Sunray Industrial Centre, 1/F 510 Cha Kwo Ling Road, Kowloon Tel:23489211-4 Fax:(852)2727666		
银同有限公司 Silver Town Limited Tel:0769-83354968 Fax:0769-83359954 E-MAIL ADDRESS:dgstkl@vip.163.COM		
DRAWING TITLE : [1P-2]		
CAD File Name :		
Designed by		
Drawn by		
Reviewed by		
Approved by		
Scale		
DWG NO:	WW1 - [1P-2]	REV. 0



构件编号:	1P-3	构件数量:	1	构件重量:	10.60	
部件编号	规格(mm)	长度(mm)	数量	单重(kg)	共重(kg)	表面积(m ²)
M496	PL12*250	450	1	10.60	10.60	0.24
合计:					10.60	



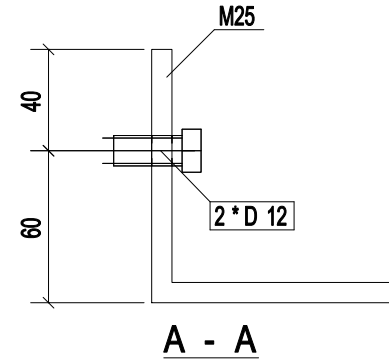
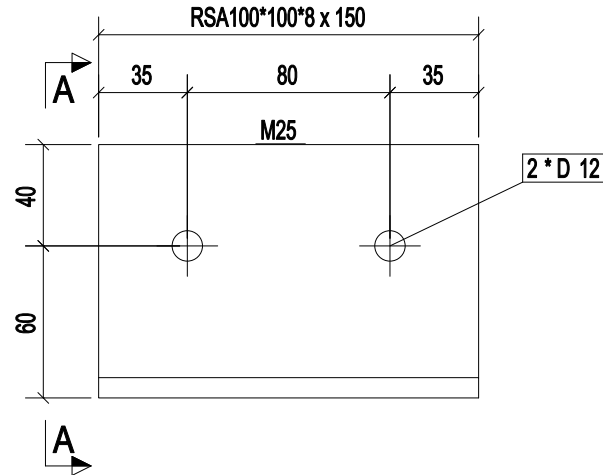
构件: 1P-3



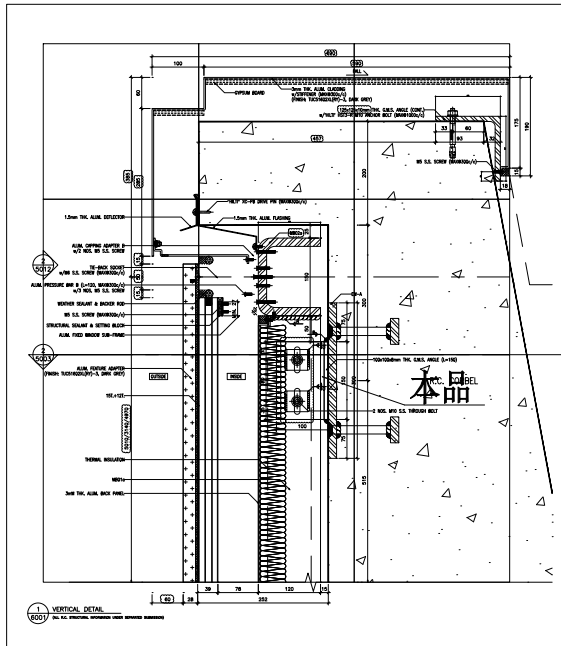
本品



0	第1次报批	2018-11-15
Rev.	Description	Date
PROJECT: PROPOSED SITE C1 DEVELOPMENT AT AREA 86, TKOTL 70 RP, TSEUNG KWAN O, NEW TERRITORIES		
CLIENT:  美特铝质有限公司 MIDI ALUMINIUM FABRICATOR LTD. Units 6-8, Sunray Industrial Centre, 1/F 510 Cha Kwo Ling Road, Kowloon Tel:23489211-4 Fax:(852)27727666		
 银同有限公司 Silver Town Limited Tel:0769-83354968 Fax:0769-83359954 E-MAIL ADDRESS:sgsttd@vip.163.COM		
DRAWING TITLE : [1P-3]		
CAD File Name :		
Designed by		
Drawn by		
Reviewed by		
Approved by		
Scale		
DWG NO: WW1	- [1P-3]	REV. 0

构件编号:	1SJ-1	构件数量:	84	构件重量:	1.83	
部件编号	规格(mm)	长度(mm)	数量	单重(kg)	共重(kg)	表面积(m ²)
M25	RSA100*100*8	150	1	1.83	1.83	0.06
合计:					1.83	

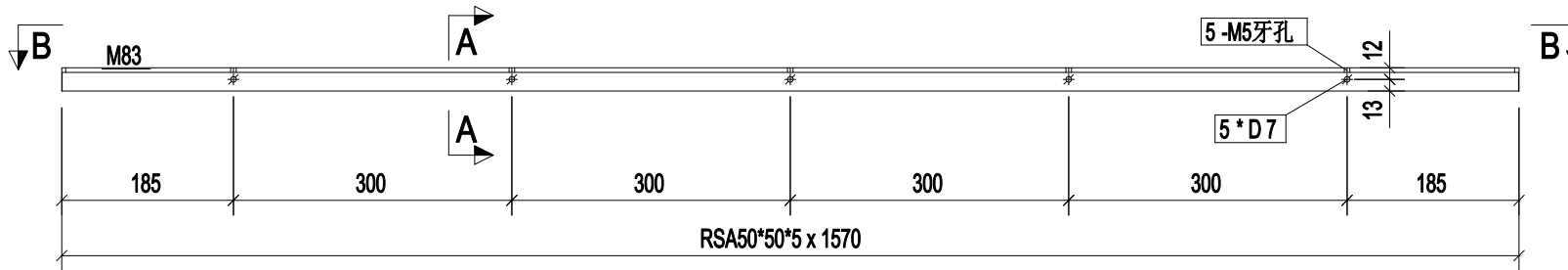


构件: 1SJ-1

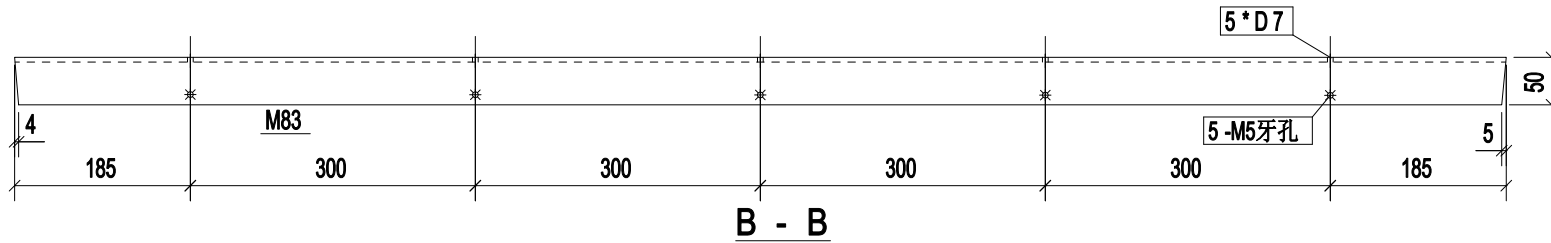


0	第1次报批	2018-11-15
Rev.	Description	Date
PROJECT: PROPOSED SITE C1 DEVELOPMENT AT AREA 86, TKOTL 70 RP, TSEUNG KWAN O, NEW TERRITORIES		
CLIENT:  美特铝质有限公司 MIDI ALUMINIUM FABRICATOR LTD. Units 6-8, Sunray Industrial Centre, 1/F 510 Cha Kwo Ling Road, Kowloon Tel:23489211-4 Fax:(852)27727666		
 银同有限公司 Silver Town Limited Tel:0769-83354968 Fax:0769-83359954 E-MAIL ADDRESS:sgstl@vip.163.COM		
DRAWING TITLE : [1SJ-.1]		
CAD File Name :		
Designed by		
Drawn by		
Reviewed by		
Approved by		
Scale		
DWG NO: WW1	- [1SJ-.1]	REV. 0

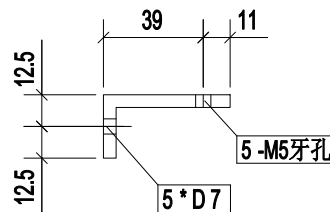
构件编号:	1SJ-2	构件数量:	1	构件重量:	5.95	
部件编号	规格(mm)	长度(mm)	数量	单重(kg)	共重(kg)	表面积(m ²)
M83	RSA50*50*5	1570	1	5.95	5.95	0.30
合计:					5.95	



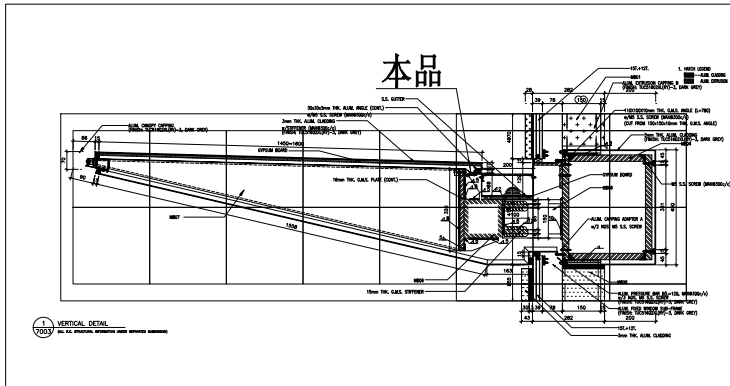
构件: 1SJ-2



B - B

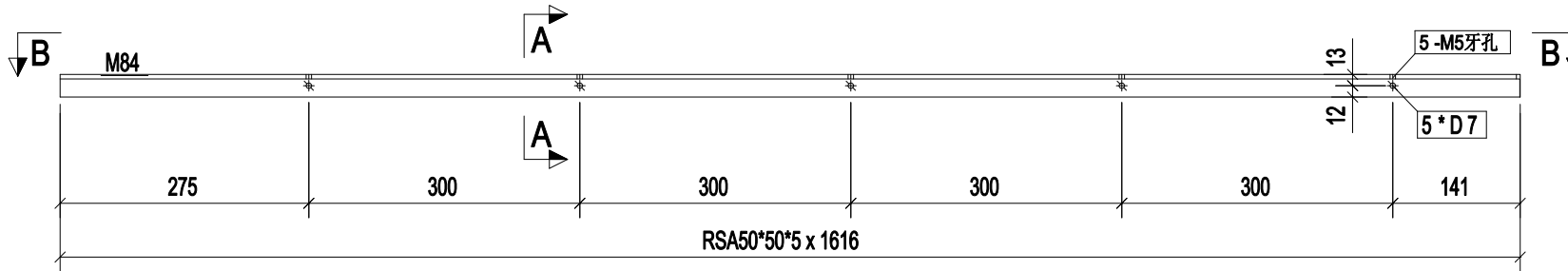


A - A

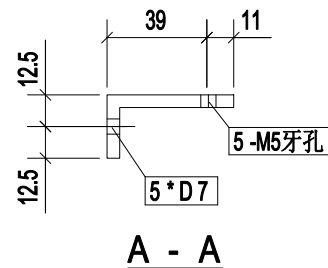
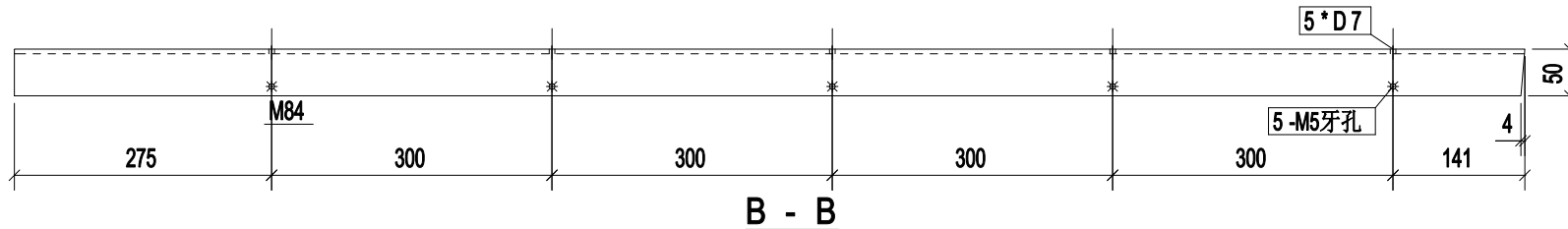


0	第1次报批	2018-11-15
Rev.	Description	Date
PROJECT: PROPOSED SITE C1 DEVELOPMENT AT AREA 86, TKOTL 70 RP, TSEUNG KWAN O, NEW TERRITORIES		
CLIENT: 美特鋁質有限公司 MIDI ALUMINIUM FABRICATOR LTD. Units 6-8, Sunray Industrial Centre, 1/F 510 Cha Kwo Ling Road, Kowloon Tel:23489211-4 Fax:(852)2727666		
银同有限公司 Silver Town Limited Tel:0769-83354968 Fax:0769-83359954 E-MAIL ADDRESS:sgsttd@vip.163.COM		
DRAWING TITLE : [1SJ-2]		
CAD File Name :		
Designed by		
Drawn by		
Reviewed by		
Approved by		
Scale		
DWG NO.: WW1	- [1SJ-2]	REV. 0

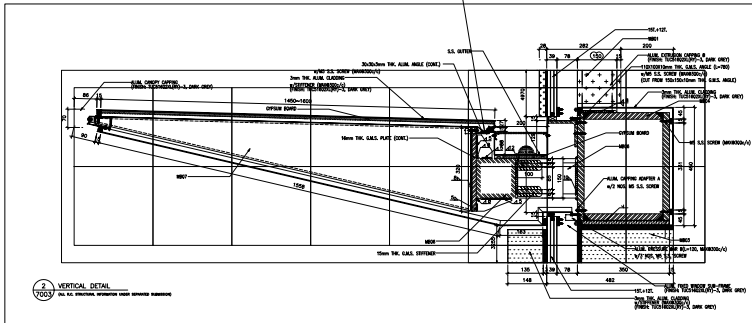
构件编号:	1SJ-3	构件数量:	1	构件重量:	6.13	
部件编号	规格(mm)	长度(mm)	数量	单重(kg)	共重(kg)	表面积(m ²)
M84	RSA50*50*5	1616	1	6.13	6.13	0.31
合计:					6.13	



构件: 1SJ-3

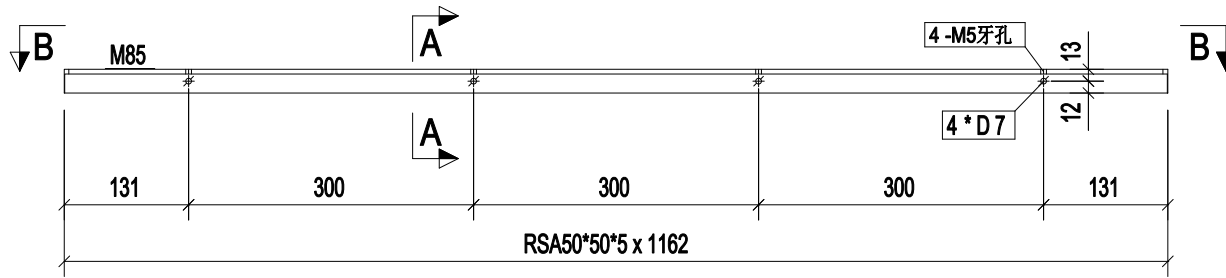


本品

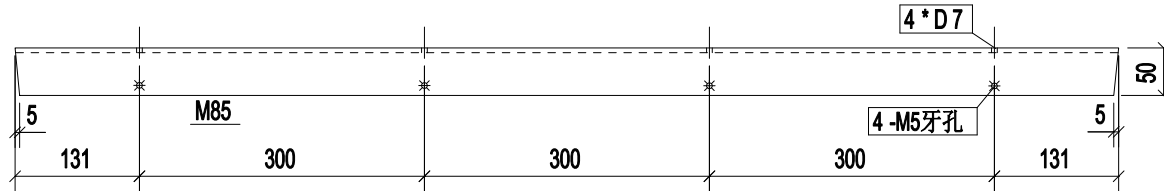


0	第1次报批	2018-11-15
Rev.	Description	Date
PROJECT: PROPOSED SITE C1 DEVELOPMENT AT AREA 86, TKOTL 70 RP, TSEUNG KWAN O, NEW TERRITORIES		
CLIENT: 美特铝质有限公司 MIDI ALUMINIUM FABRICATOR LTD. Units 6-8, Sunray Industrial Centre, 1/F 510 Cha Kwo Ling Road, Kowloon Tel:23489211-4 Fax:(852)2727666		
银同有限公司 Silver Town Limited Tel:0769-83354968 Fax:0769-83359954 E-MAIL ADDRESS:sgstkl@vip.163.com		
DRAWING TITLE : [1SJ-3]		
CAD File Name :		
Designed by		
Drawn by		
Reviewed by		
Approved by		
Scale		
DWG NO.: WW1	- [1SJ-3]	REV. 0

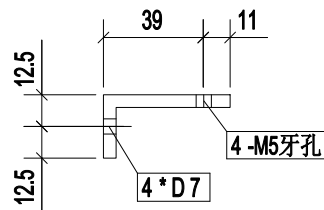
构件编号:	1SJ-4	构件数量:	1	构件重量:	4.40	
部件编号	规格(mm)	长度(mm)	数量	单重(kg)	共重(kg)	表面积(m ²)
M85	RSA50*50*5	1162	1	4.40	4.40	0.22
合计:					4.40	



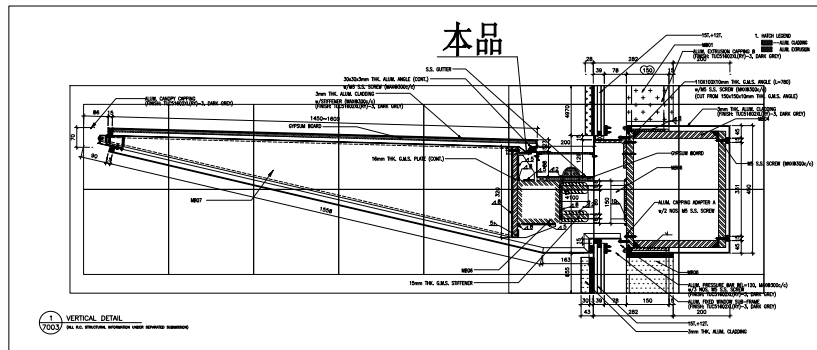
构件: 1SJ-4





B - B

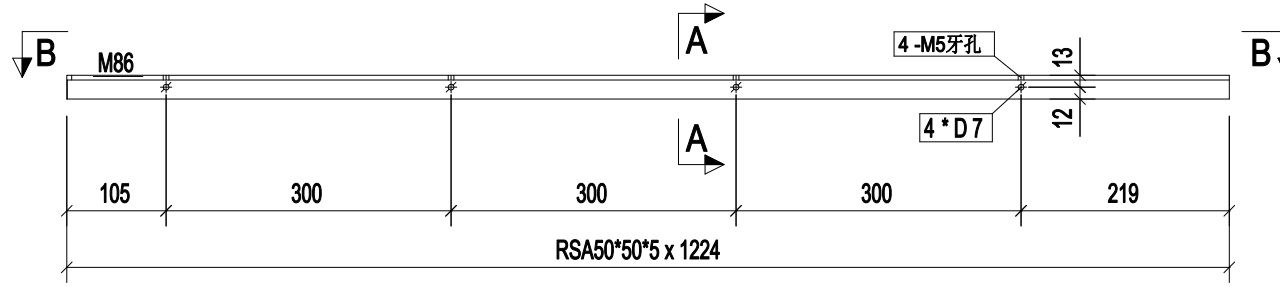


A - A

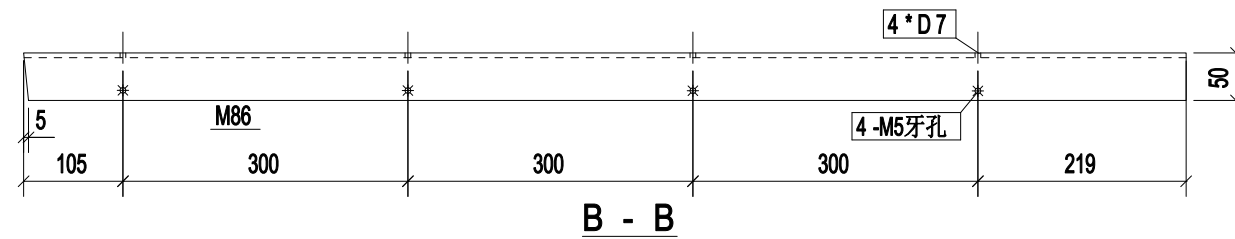


0	第1次报批	2018-11-15
Rev.	Description	Date
PROJECT: PROPOSED SITE C1 DEVELOPMENT AT AREA 86, TKOTL 70 RP, TSEUNG KWAN O, NEW TERRITORIES		
CLIENT:  美特鋁質有限公司 MIDI ALUMINIUM FABRICATOR LTD. Units 6-8, Sunray Industrial Centre, 1/F 510 Cha Kwo Ling Road, Kowloon Tel:23489211-4 Fax:(852)2727666		
 银同有限公司 Silver Town Limited Tel:0769-83354968 Fax:0769-83359954 E-MAIL ADDRESS:sgsttd@vip.163.COM		
DRAWING TITLE : [1SJ-4]		
CAD File Name :		
Designed by		
Drawn by		
Reviewed by		
Approved by		
Scale		
DWG NO.: WW1	- [1SJ-4]	REV. 0

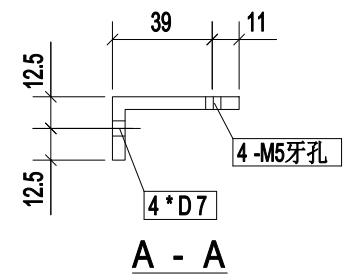
构件编号:	1SJ-5	构件数量:	1	构件重量:	4.64	
部件编号	规格(mm)	长度(mm)	数量	单重(kg)	共重(kg)	表面积(m ²)
M86	RSA50*50*5	1224	1	4.64	4.64	0.23
合计:					4.64	



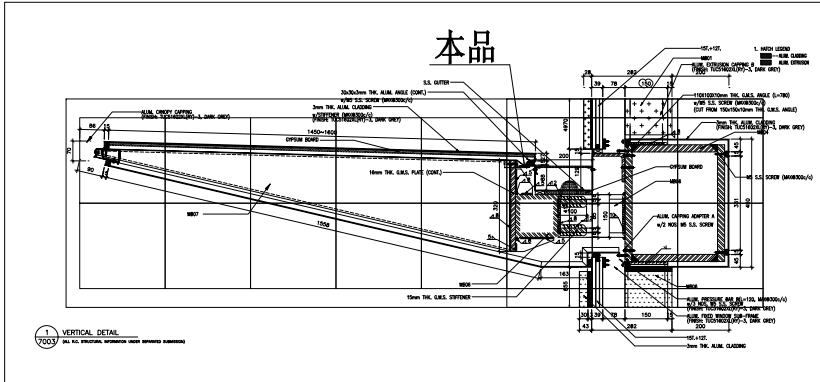
构件: 1SJ-5



B - B

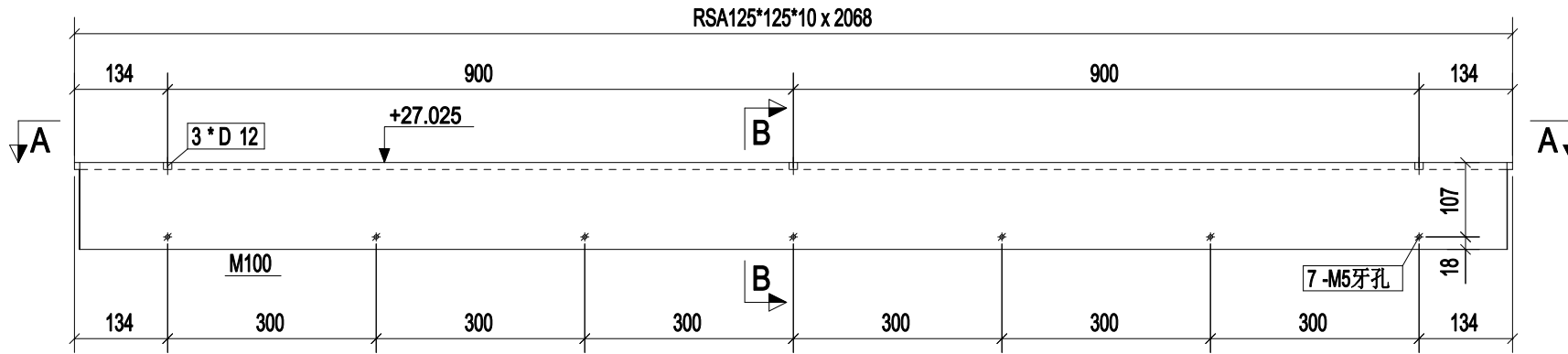


A - A

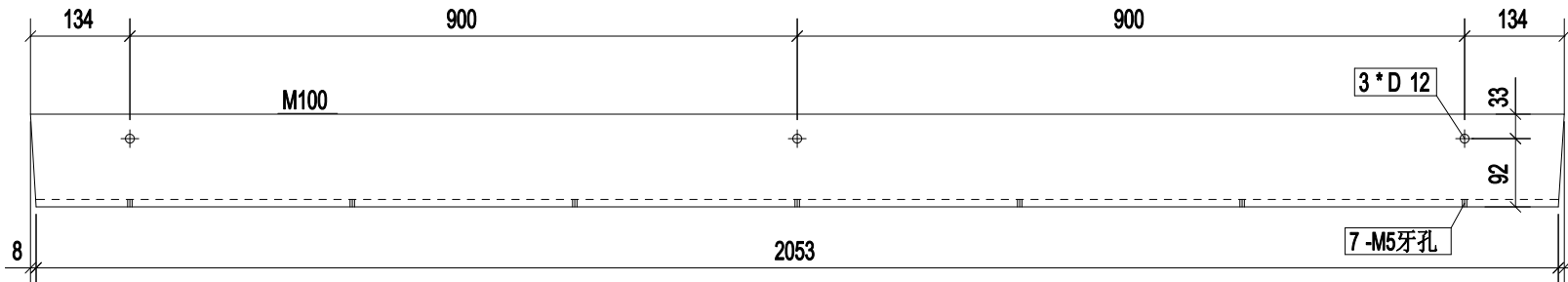


0	第1次报批	2018-11-15
Rev.	Description	Date
PROJECT: PROPOSED SITE C1 DEVELOPMENT AT AREA 86, TKOTL 70 RP, TSEUNG KWAN O, NEW TERRITORIES		
CLIENT: 美特铝质有限公司 MIDI ALUMINIUM FABRICATOR LTD. Units 6-8, Sunray Industrial Centre, 1/F 510 Cha Kwo Ling Road, Kowloon Tel:23489211-4 Fax:(852)2727666		
银同有限公司 Silver Town Limited Tel:0769-83354968 Fax:0769-83359954 E-MAIL ADDRESS:sgsttd@vip.163.COM		
DRAWING TITLE : [1SJ-5]		
CAD File Name :		
Designed by		
Drawn by		
Reviewed by		
Approved by		
Scale		
DWG NO: WW1	- [1SJ-5]	REV. 0

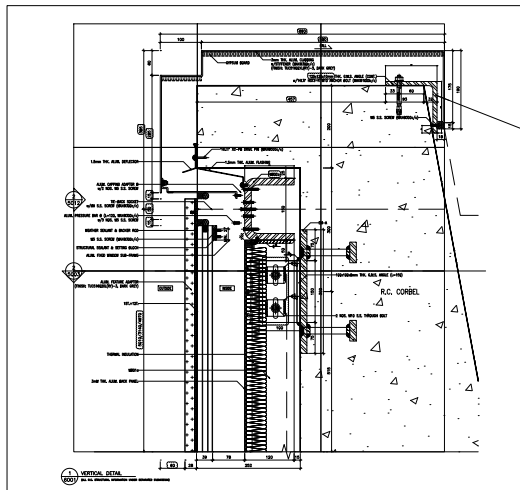
构件编号:	1SJ-8	构件数量:	4	构件重量:	38.76	
部件编号	规格(mm)	长度(mm)	数量	单重(kg)	共重(kg)	表面积(m ²)
M100	RSA125*125*10	2068	1	38.76	38.76	1.03
合计:					38.76	



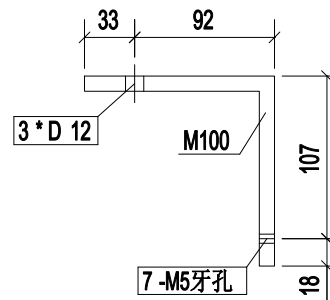
构件: 1SJ-8



A - A



本品



B - B

0	第1次报批	2018-11-15
Rev.	Description	Date
PROJECT: PROPOSED SITE C1 DEVELOPMENT AT AREA 86, TKOTL 70 RP, TSEUNG KWAN O, NEW TERRITORIES		
CLIENT: 美特铝质有限公司 MIDI ALUMINIUM FABRICATOR LTD. Units 6-8, Sunray Industrial Centre, 1/F 510 Cha Kwo Ling Road, Kowloon Tel:23489211-4 Fax:(852)2727666		

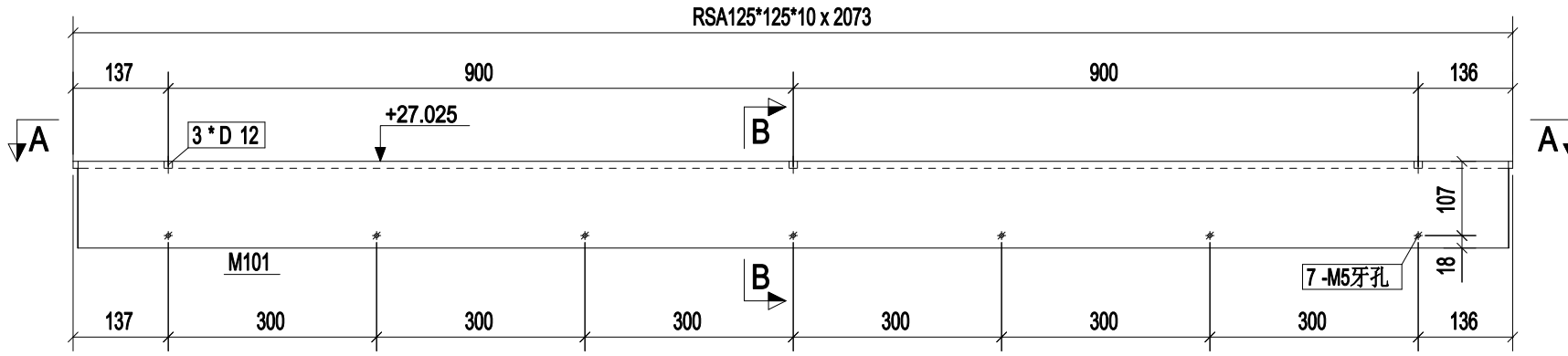
银同有限公司 Silver Town Limited Tel:0769-83354968 Fax:0769-83359954 E-MAIL ADDRESS:sgsttd@vip.163.COM		
--	--	--

DRAWING TITLE : [1SJ-8]		
-----------------------------------	--	--

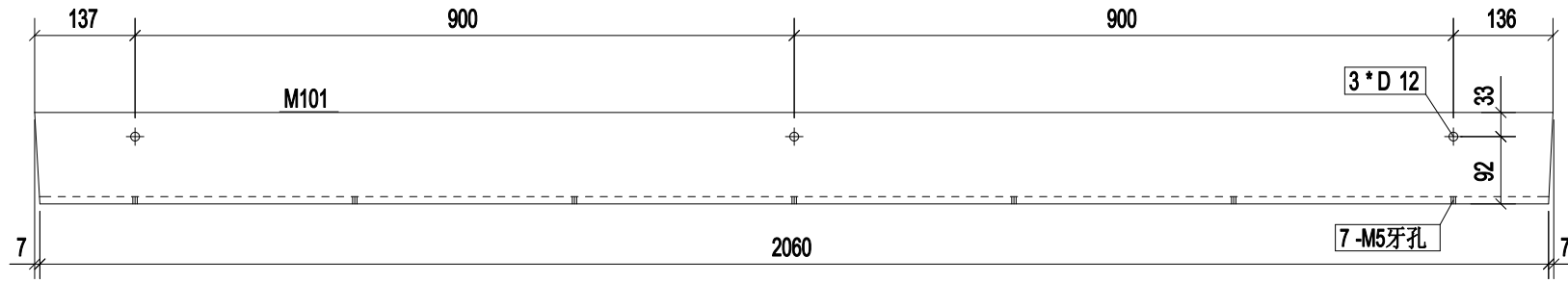
CAD File Name :		
Designed by		
Drawn by		
Reviewed by		
Approved by		
Scale		

DWG NO.: WW1	- [1SJ-8]	REV. 0
--------------	-----------	--------

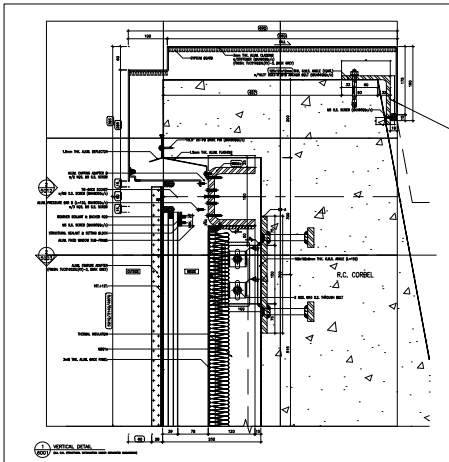
构件编号:	1SJ-9	构件数量:	2	构件重量:	38.88	
部件编号	规格(mm)	长度(mm)	数量	单重(kg)	共重(kg)	表面积(m ²)
M101	RSA125*125*10	2073	1	38.88	38.88	1.04
合计:					38.88	



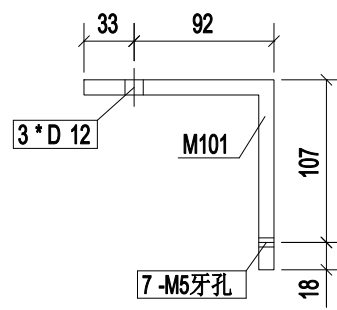
构件: 1SJ-9




A - A



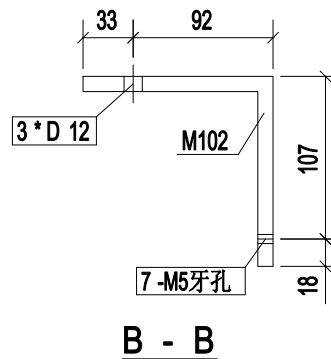
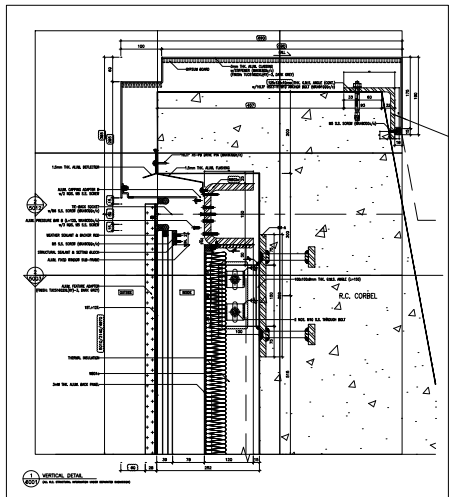
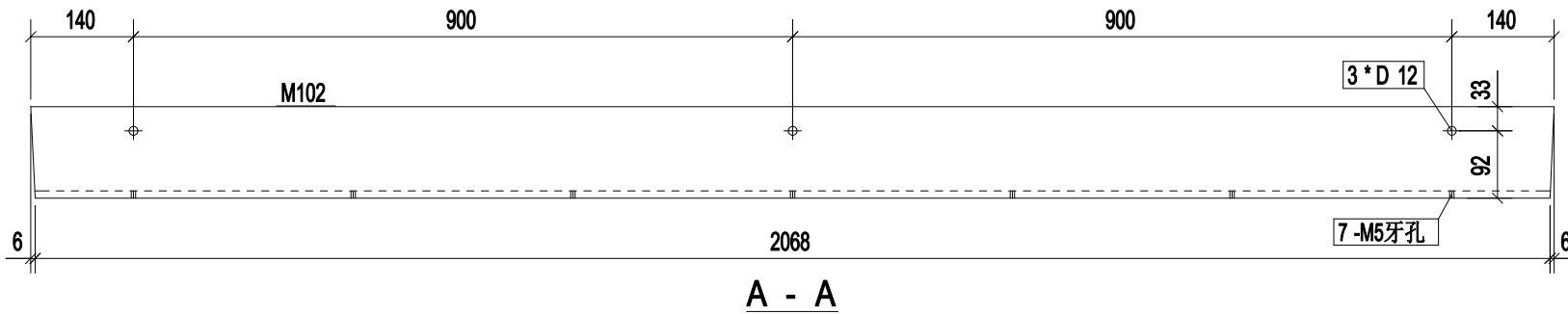
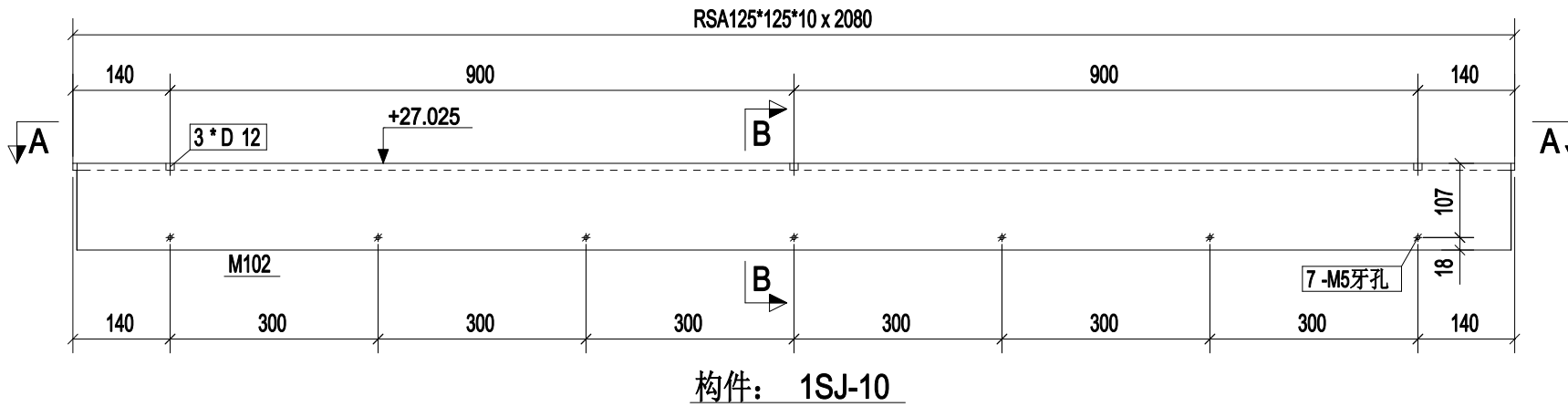
本品





B - B

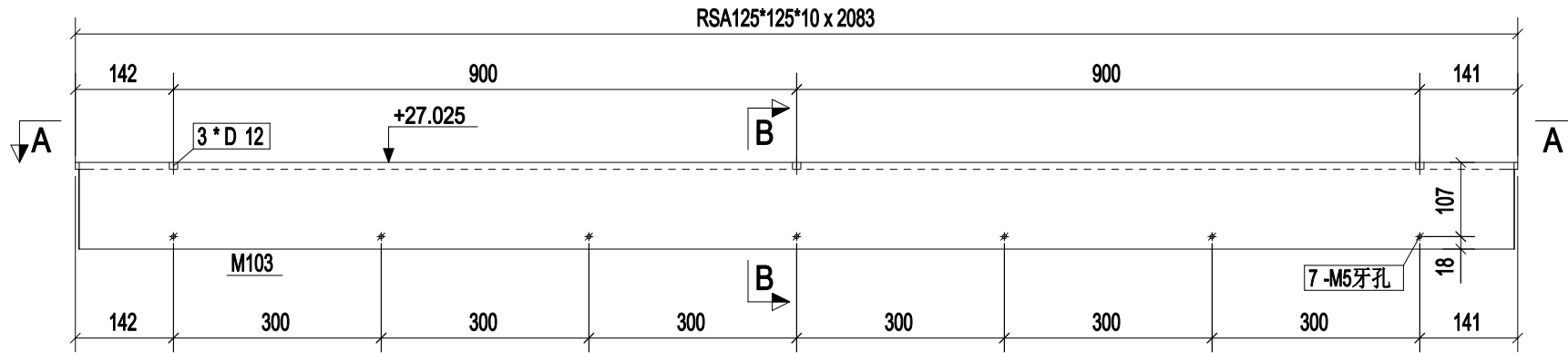
0	第1次报批	2018-11-15
Rev.	Description	Date
PROJECT: PROPOSED SITE C1 DEVELOPMENT AT AREA 86, TKOTL 70 RP, TSEUNG KWAN O, NEW TERRITORIES		
CLIENT:  美特铝质有限公司 MIDI ALUMINIUM FABRICATOR LTD. Units 6-8, Sunray Industrial Centre, 1/F 510 Cha Kwo Ling Road, Kowloon Tel:23489211-4 Fax:(852)27727666		
 银同有限公司 Silver Town Limited Tel:0769-83354968 Fax:0769-83359954 E-MAIL ADDRESS:sgsttd@vip.163.COM		
DRAWING TITLE : [1SJ-9]		
CAD File Name :		
Designed by		
Drawn by		
Reviewed by		
Approved by		
Scale		
DWG NO.: WW1	- [1SJ-9]	REV. 0

构件编号:	1SJ-10	构件数量:	4	构件重量:	39.03	
部件编号	规格(mm)	长度(mm)	数量	单重(kg)	共重(kg)	表面积(m ²)
M102	RSA125*125*10	2080	1	39.03	39.03	1.04
合计:					39.03	

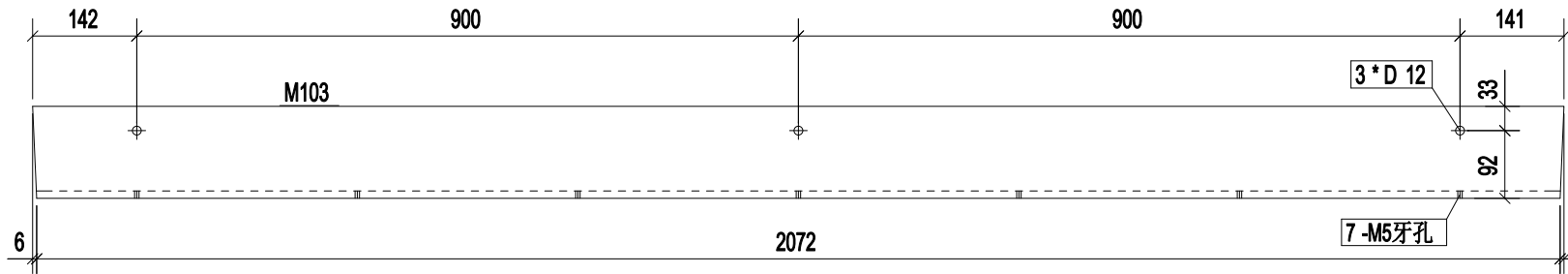


0	第1次报批	2018-11-15
Rev.	Description	Date
PROJECT: PROPOSED SITE C1 DEVELOPMENT AT AREA 86, TKOTL 70 RP, TSEUNG KWAN O, NEW TERRITORIES		
CLIENT:  美特铝质有限公司 MIDI ALUMINIUM FABRICATOR LTD. Units 6-8, Sunray Industrial Centre, 1/F 510 Cha Kwo Ling Road, Kowloon Tel:23489211-4 Fax:(852)27727666		
 银同有限公司 Silver Town Limited Tel:0769-83354968 Fax:0769-83359954 E-MAIL ADDRESS:sgstl@vip.163.COM		
DRAWING TITLE : [1SJ-.10]		
CAD File Name :		
Designed by		
Drawn by		
Reviewed by		
Approved by		
Scale		
DWG NO.: WW1	- [1SJ-.10]	REV. 0

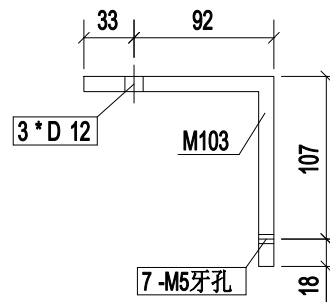
构件编号:	1SJ-11	构件数量:	4	构件重量:	39.10	
部件编号	规格(mm)	长度(mm)	数量	单重(kg)	共重(kg)	表面积(m ²)
M103	RSA125*125*10	2083	1	39.10	39.10	1.04
合计:					39.10	



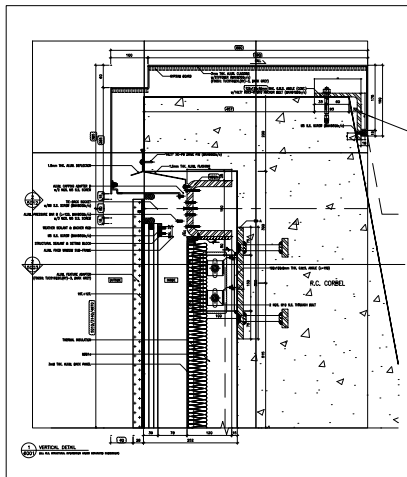
构件: 1SJ-11



A - A



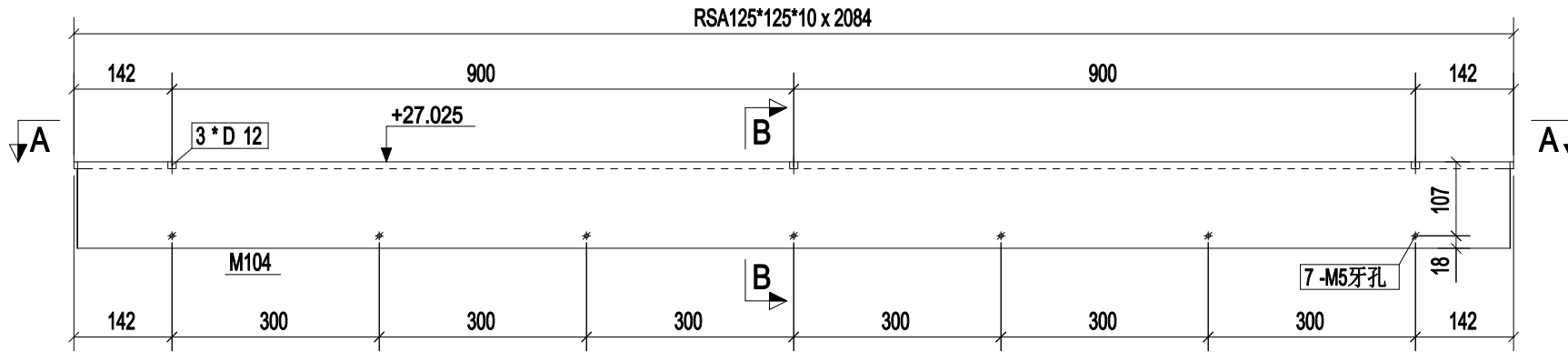
B - B



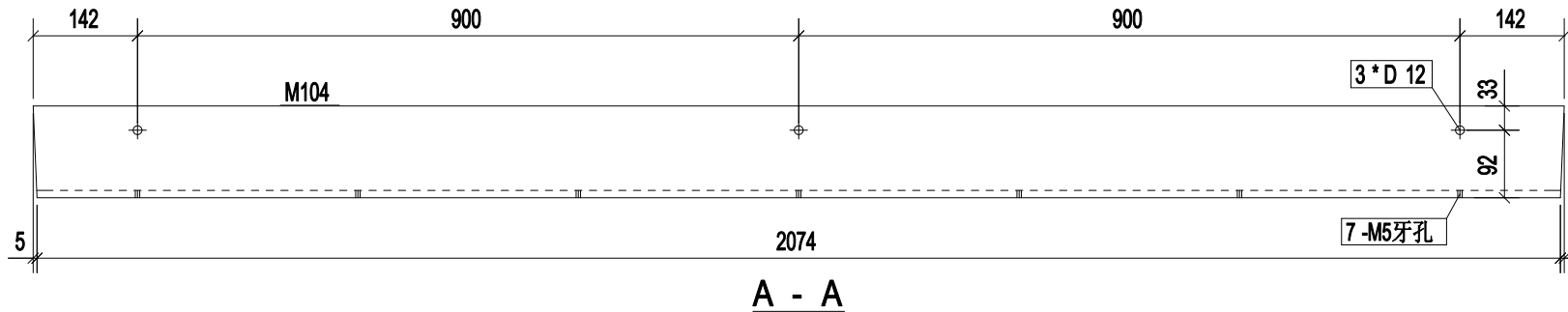
本品

0	第1次报批	2018-11-15
Rev.	Description	Date
PROJECT: PROPOSED SITE C1 DEVELOPMENT AT AREA 86, TKOTL 70 RP, TSEUNG KWAN O, NEW TERRITORIES		
CLIENT:  美特铝质有限公司 MIDI ALUMINIUM FABRICATOR LTD. Units 6-8, Sunray Industrial Centre, 1/F 510 Cha Kwo Ling Road, Kowloon Tel:23489211-4 Fax:(852)27727666		
 银同有限公司 Silver Town Limited Tel:0769-83354968 Fax:0769-83359954 E-MAIL ADDRESS:dgsttd@vip.163.COM		
DRAWING TITLE : [1SJ-.11]		
CAD File Name :		
Designed by		
Drawn by		
Reviewed by		
Approved by		
Scale		
DWG NO.: WW1	- [1SJ-.11]	REV. 0

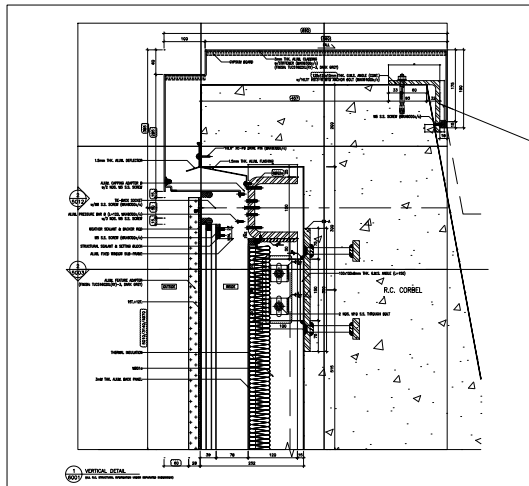
构件编号:	1SJ-12	构件数量:	2	构件重量:	39.12	
部件编号	规格(mm)	长度(mm)	数量	单重(kg)	共重(kg)	表面积(m ²)
M104	RSA125*125*10	2084	1	39.12	39.12	1.04
合计:					39.12	



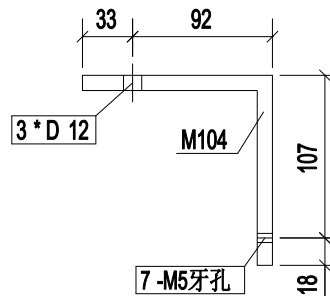
构件: 1SJ-12





A - A



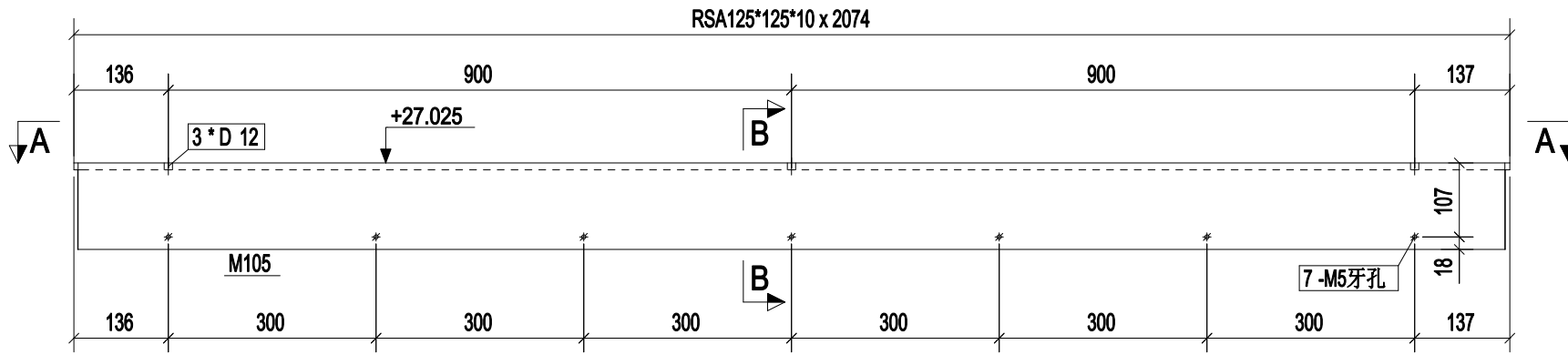
本品



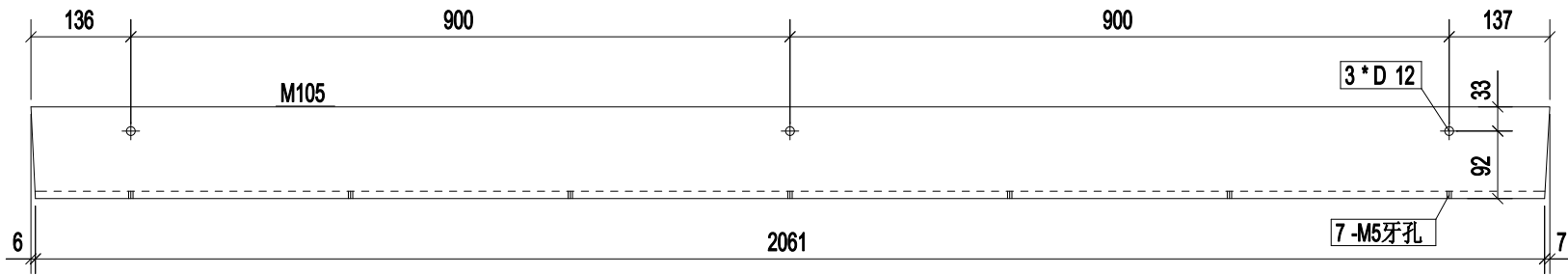
B - B

0	第1次报批	2018-11-15
Rev.	Description	Date
PROJECT: PROPOSED SITE C1 DEVELOPMENT AT AREA 86, TKOTL 70 RP, TSEUNG KWAN O, NEW TERRITORIES		
CLIENT:  美特铝质有限公司 MIDI ALUMINIUM FABRICATOR LTD. Units 6-8, Sunray Industrial Centre, 1/F 510 Cha Kwo Ling Road, Kowloon Tel:23489211-4 Fax:(852)27727666		
 银同有限公司 Silver Town Limited Tel:0769-83354968 Fax:0769-83359954 E-MAIL ADDRESS:sgsttd@vip.163.COM		
DRAWING TITLE : [1SJ-12]		
CAD File Name :		
Designed by		
Drawn by		
Reviewed by		
Approved by		
Scale		
DWG NO.: WW1	- [1SJ-12]	REV. 0

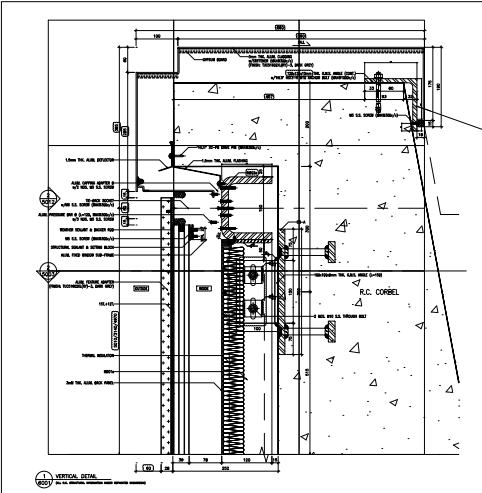
构件编号:	1SJ-13	构件数量:	2	构件重量:	38.89	
部件编号	规格(mm)	长度(mm)	数量	单重(kg)	共重(kg)	表面积(m ²)
M105	RSA125*125*10	2074	1	38.89	38.89	1.04
合计:					38.89	



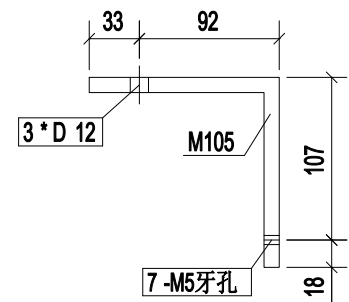
构件: 1SJ-13



A - A



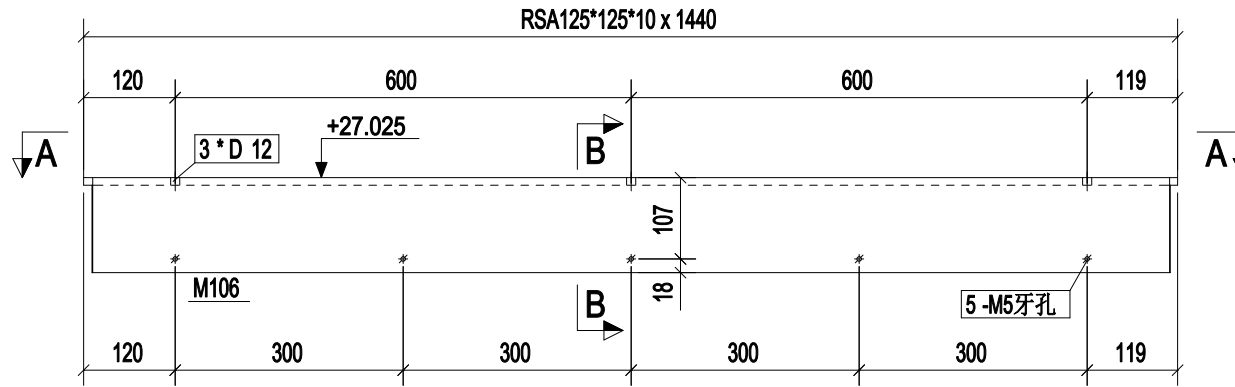
本品



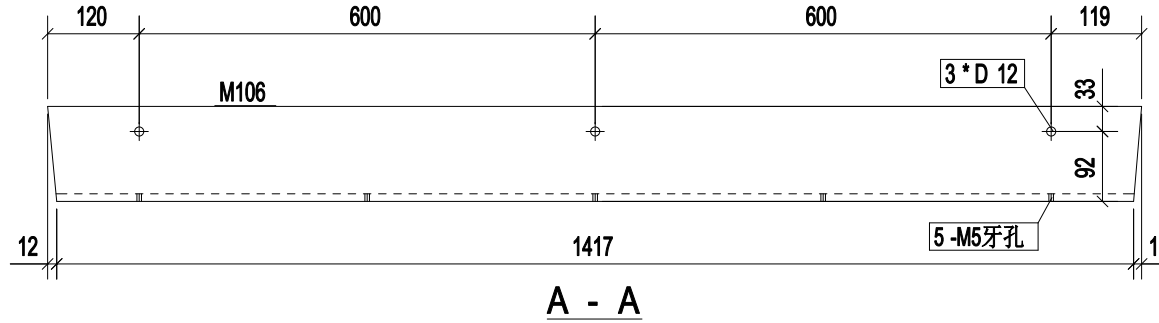
B - B

0	第1次报批	2018-11-15
Rev.	Description	Date
PROJECT: PROPOSED SITE C1 DEVELOPMENT AT AREA 86, TKOTL 70 RP, TSEUNG KWAN O, NEW TERRITORIES		
CLIENT: 美特铝质有限公司 MIDI ALUMINIUM FABRICATOR LTD. Units 6-8, Sunray Industrial Centre, 1/F 510 Cha Kwo Ling Road, Kowloon Tel:23489211-4 Fax:(852)27727666		
银同有限公司 Silver Town Limited Tel:0769-83354968 Fax:0769-83359954 E-MAIL ADDRESS:sgsttd@vip.163.COM		
DRAWING TITLE : [1SJ-13]		
CAD File Name :		
Designed by		
Drawn by		
Reviewed by		
Approved by		
Scale		
DWG NO.: WW1	- [1SJ-13]	REV. 0

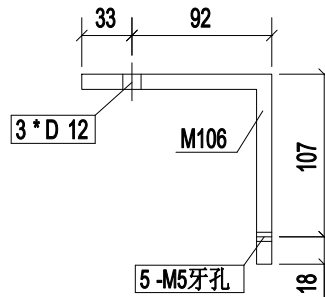
构件编号:	1SJ-14	构件数量:	2	构件重量:	26.82	
部件编号	规格(mm)	长度(mm)	数量	单重(kg)	共重(kg)	表面积(m ²)
M106	RSA125*125*10	1440	1	26.82	26.82	0.72
				合计:	26.82	



构件: 1SJ-14

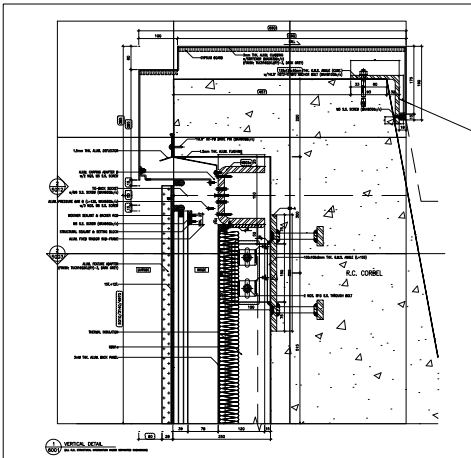


A - A



B - B

本品

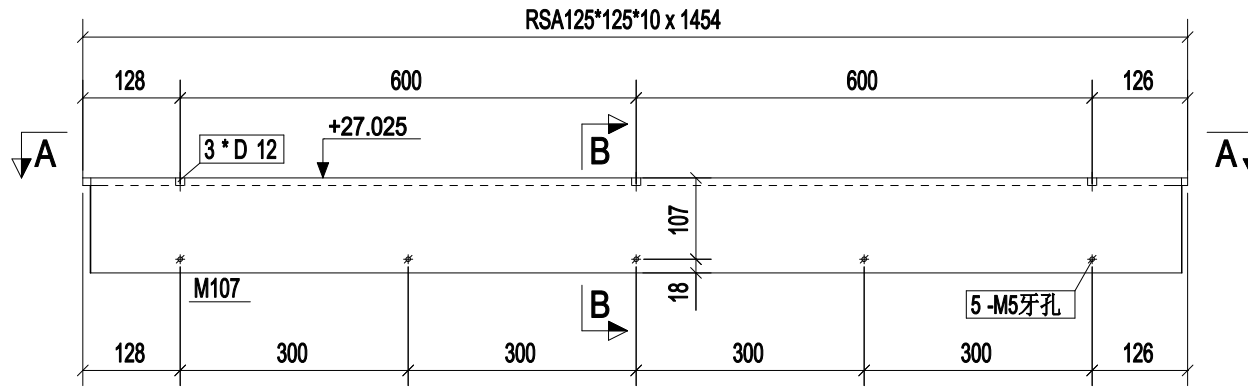


0	第1次报批	2018-11-15
Rev.	Description	Date
PROJECT: PROPOSED SITE C1 DEVELOPMENT AT AREA 86, TKOTL 70 RP, TSEUNG KWAN O, NEW TERRITORIES		
CLIENT: 美特鋁質有限公司 MIDI ALUMINIUM FABRICATOR LTD. Units 6-8, Sunray Industrial Centre, 1/F 510 Cha Kwo Ling Road, Kowloon Tel:23489211-4 Fax:(852)27727666		
银同有限公司 Silver Town Limited Tel:0769-83354968 Fax:0769-83359954 E-MAIL ADDRESS:sgsttd@vip.163.COM		

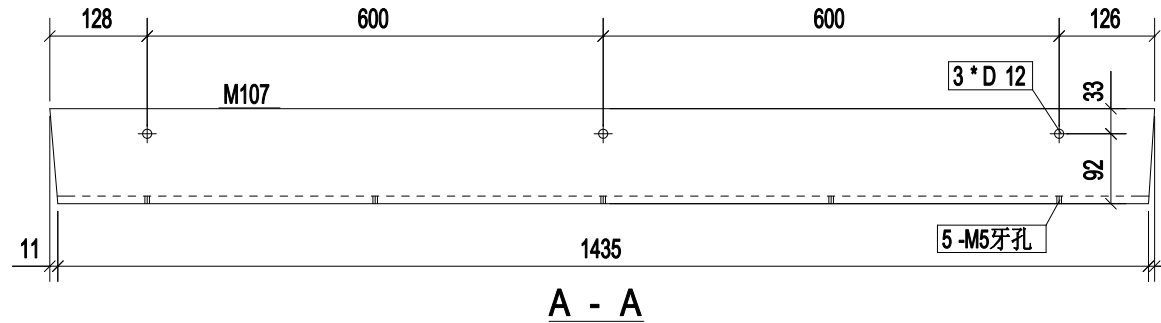
DRAWING TITLE :
[1SJ-.14]

CAD File Name :	
Designed by	
Drawn by	
Reviewed by	
Approved by	
Scale	
DWG NO: WW1	REV. 0

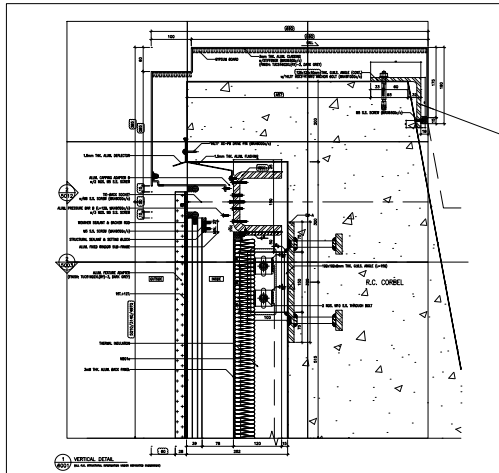
构件编号:	1SJ-15	构件数量:	2	构件重量:	27.14	
部件编号	规格(mm)	长度(mm)	数量	单重(kg)	共重(kg)	表面积(m ²)
M107	RSA125*125*10	1454	1	27.14	27.14	0.73
合计:					27.14	



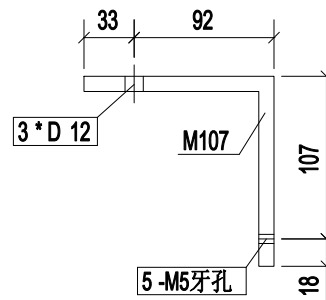
构件: 1SJ-15



A - A



本品



B - B

0	第1次报批	2018-11-15
Rev.	Description	Date

PROJECT:
PROPOSED SITE C1
DEVELOPMENT AT AREA 86,
TKOTL 70 RP, TSEUNG KWAN O,
NEW TERRITORIES

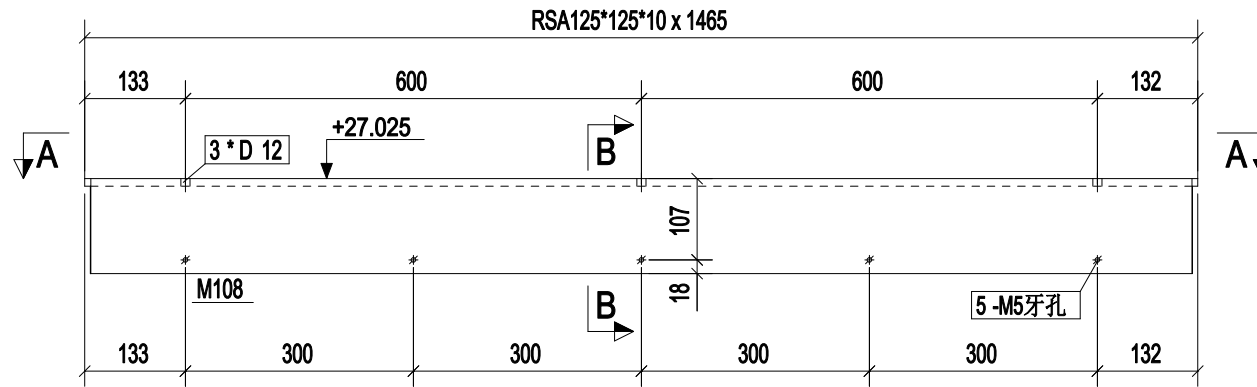
CLIENT:
美特铝质有限公司
MIDI ALUMINIUM FABRICATOR LTD.
Units 6-8, Sunray Industrial Centre, 1/F
510 Cha Kwo Ling Road, Kowloon
Tel:23489211-4 Fax:(852)2727666

银同有限公司
Silver Town Limited
Tel:0769-83354968 Fax:0769-83359954
E-MAIL ADDRESS:sgsttd@vip.163.COM

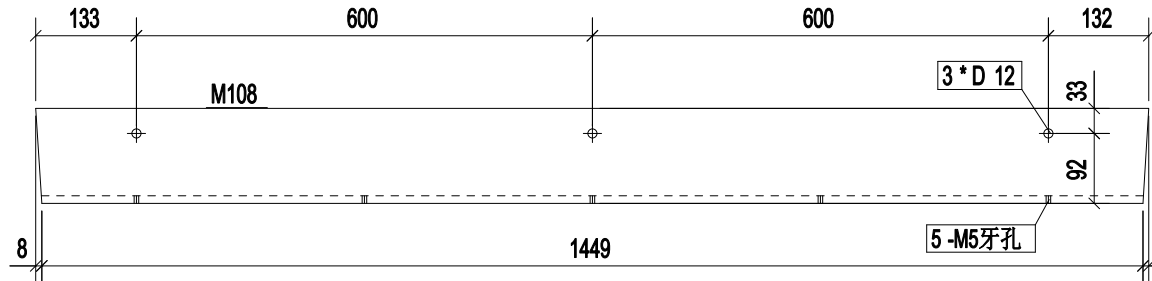
DRAWING TITLE :
[1SJ-15]

CAD File Name :	
Designed by	
Drawn by	
Reviewed by	
Approved by	
Scale	
DWG NO.: WW1	- [1SJ-15]
REV.	0

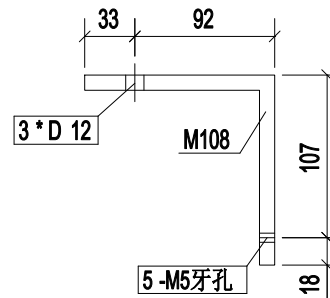
构件编号:	1SJ-16	构件数量:	4	构件重量:	27.38	
部件编号	规格(mm)	长度(mm)	数量	单重(kg)	共重(kg)	表面积(m ²)
M108	RSA125*125*10	1465	1	27.38	27.38	0.73
合计:					27.38	



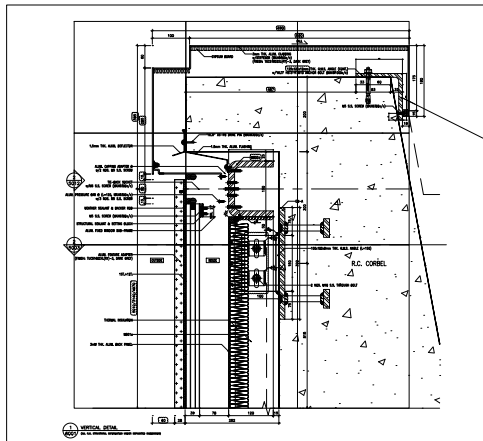
构件: 1SJ-16



A - A

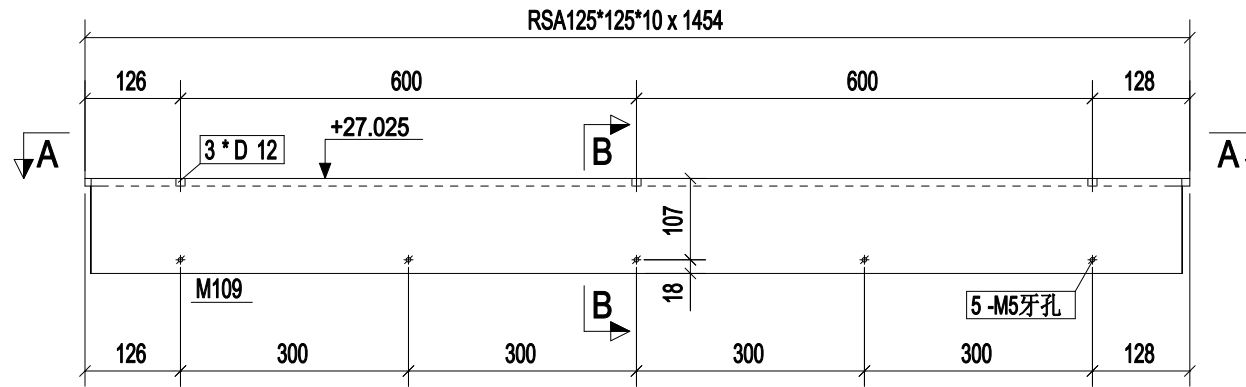


B - B

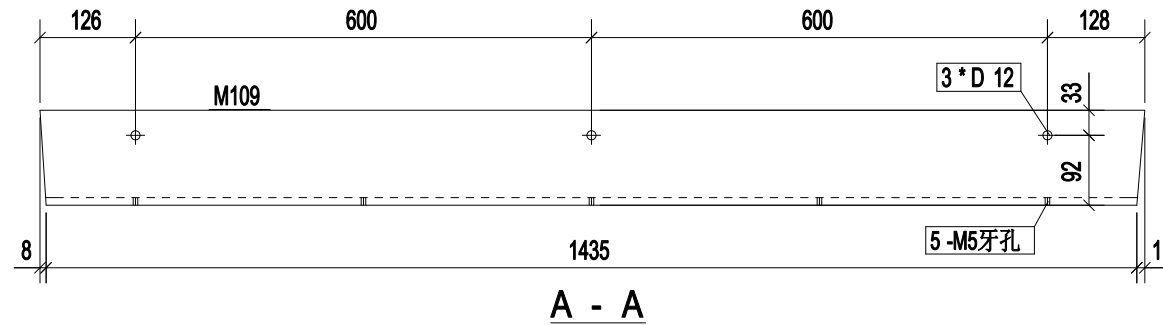


0	第1次报批	2018-11-15
Rev.	Description	Date
PROJECT: PROPOSED SITE C1 DEVELOPMENT AT AREA 86, TKOTL 70 RP, TSEUNG KWAN O, NEW TERRITORIES		
CLIENT: 美特鋁質有限公司 MIDI ALUMINIUM FABRICATOR LTD. Units 6-8, Sunray Industrial Centre, 1/F 510 Cha Kwo Ling Road, Kowloon Tel:23489211-4 Fax:(852)2727666		
银同有限公司 Silver Town Limited Tel:0769-83354968 Fax:0769-83359954 E-MAIL ADDRESS:sgsttd@vip.163.COM		
DRAWING TITLE : [1SJ-.16]		
CAD File Name :		
Designed by		
Drawn by		
Reviewed by		
Approved by		
Scale		
DWG NO: WW1	- [1SJ-.16]	REV. 0

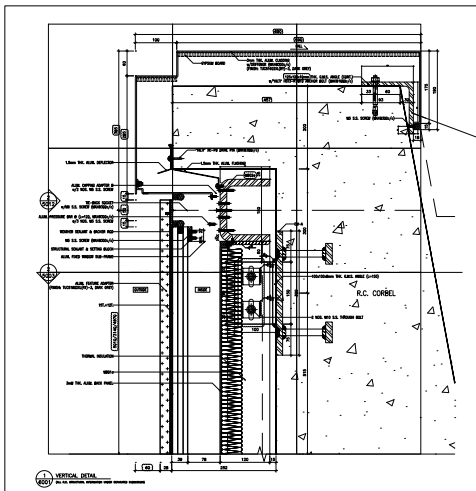
构件编号:	1SJ-17	构件数量:	2	构件重量:	27.14	
部件编号	规格(mm)	长度(mm)	数量	单重(kg)	共重(kg)	表面积(m ²)
M109	RSA125*125*10	1454	1	27.14	27.14	0.73
合计:					27.14	



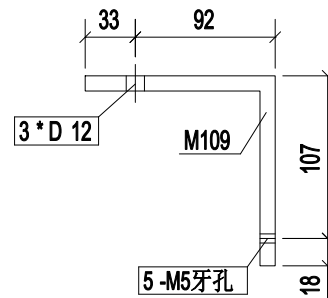
构件: 1SJ-17





A - A



本品

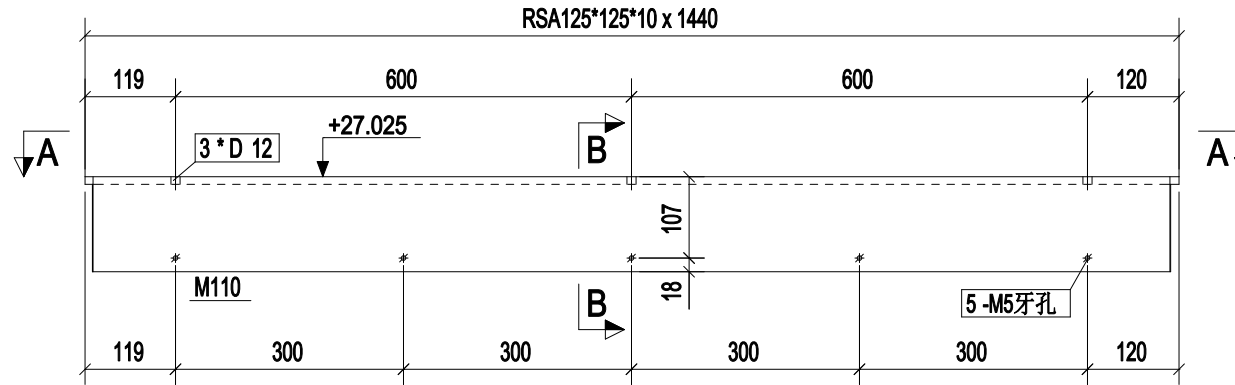


B - B

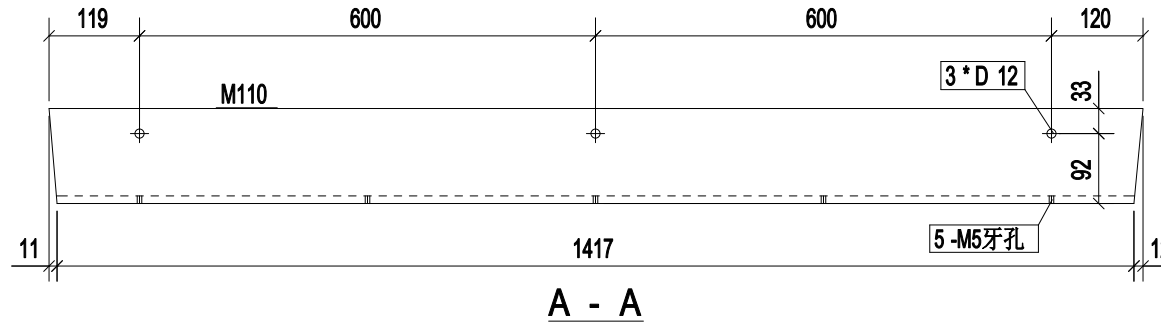
0	第1次报批	2018-11-15
Rev.	Description	Date
PROJECT: PROPOSED SITE C1 DEVELOPMENT AT AREA 86, TKOTL 70 RP, TSEUNG KWAN O, NEW TERRITORIES		
CLIENT:  美特铝质有限公司 MIDI ALUMINIUM FABRICATOR LTD. Units 6-8, Sunray Industrial Centre, 1/F 510 Cha Kwo Ling Road, Kowloon Tel:23489211-4 Fax:(852)27727666		
 银同有限公司 Silver Town Limited Tel:0769-83354968 Fax:0769-83359954 E-MAIL ADDRESS:sgsttd@vip.163.COM		

DRAWING TITLE :	
[1SJ-17]	
CAD File Name :	
Designed by	
Drawn by	
Reviewed by	
Approved by	
Scale	
DWG NO.: WW1	REV. 0

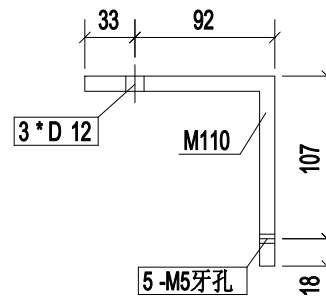
构件编号:	1SJ-18	构件数量:	2	构件重量:	26.82	
部件编号	规格(mm)	长度(mm)	数量	单重(kg)	共重(kg)	表面积(m ²)
M110	RSA125*125*10	1440	1	26.82	26.82	0.72
合计:					26.82	





构件: 1SJ-18



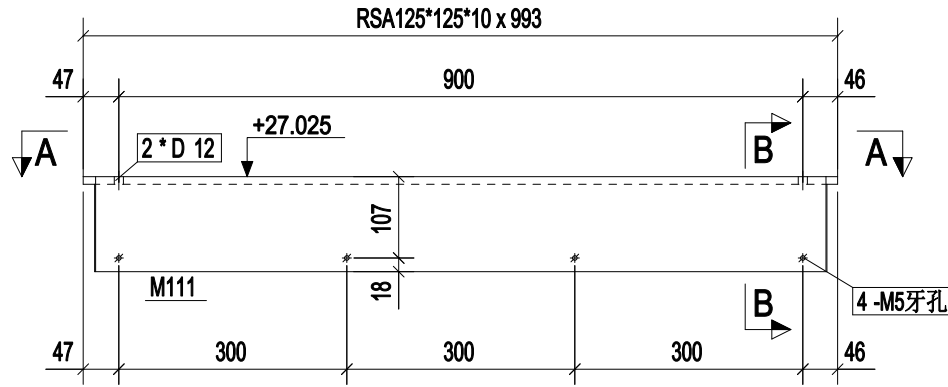
A - A



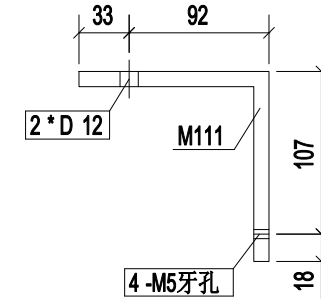
B - B

0	第1次报批	2018-11-15
Rev.	Description	Date
PROJECT: PROPOSED SITE C1 DEVELOPMENT AT AREA 86, TKOTL 70 RP, TSEUNG KWAN O, NEW TERRITORIES		
CLIENT:  美特铝质有限公司 MIDI ALUMINIUM FABRICATOR LTD. Units 6-8, Sunray Industrial Centre, 1/F 510 Cha Kwo Ling Road, Kowloon Tel:23489211-4 Fax:(852)27727666		
 银同有限公司 Silver Town Limited Tel:0769-83354968 Fax:0769-83359954 E-MAIL ADDRESS:sgsttd@vip.163.COM		
DRAWING TITLE : [1SJ-.18]		
CAD File Name :		
Designed by		
Drawn by		
Reviewed by		
Approved by		
Scale		
DWG NO.: WW1	- [1SJ-.18]	REV. 0

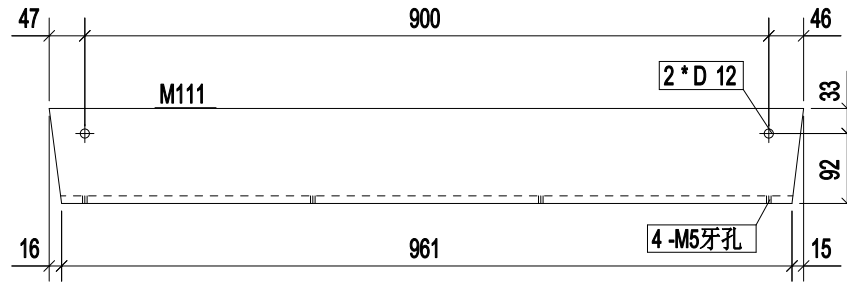
构件编号:	1SJ-19	构件数量:	2	构件重量:	18.27	
部件编号	规格(mm)	长度(mm)	数量	单重(kg)	共重(kg)	表面积(m ²)
M111	RSA125*125*10	993	1	18.27	18.27	0.49
合计:					18.27	



构件: 1SJ-19

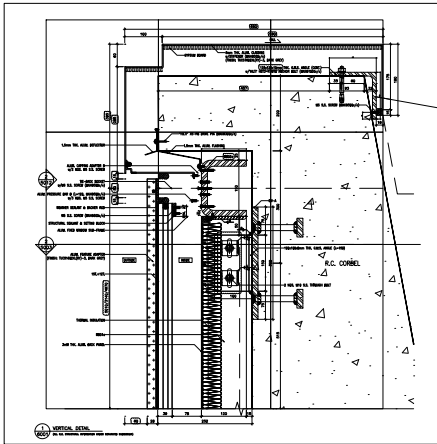


B - B



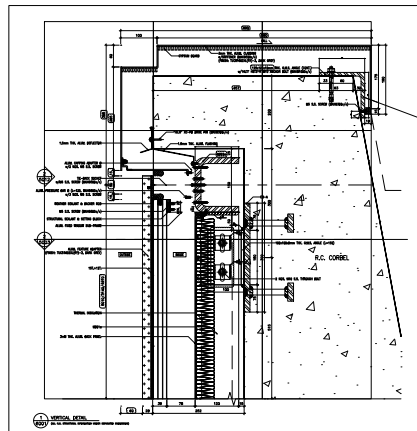
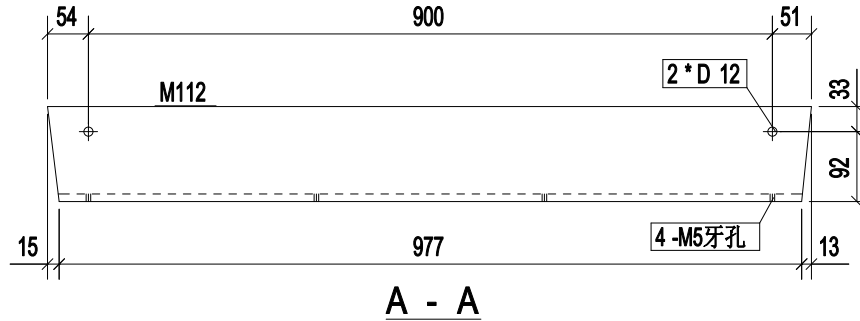
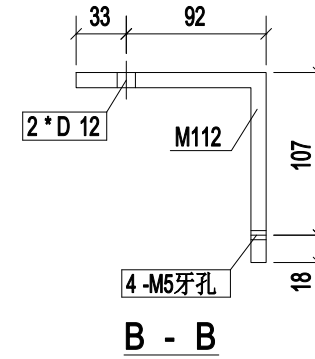
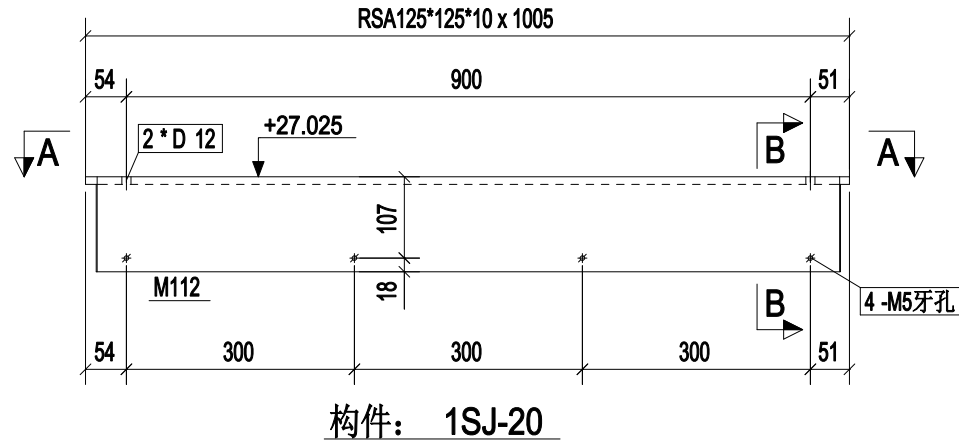
A - A

本品



0	第1次报批	2018-11-15
Rev.	Description	Date
PROJECT: PROPOSED SITE C1 DEVELOPMENT AT AREA 86, TKOTL 70 RP, TSEUNG KWAN O, NEW TERRITORIES		
CLIENT: 美特铝质有限公司 MIDI ALUMINIUM FABRICATOR LTD. Units 6-8, Sunray Industrial Centre, 1/F 510 Cha Kwo Ling Road, Kowloon Tel:23489211-4 Fax:(852)27727666		
银同有限公司 Silver Town Limited Tel:0769-83354968 Fax:0769-83359954 E-MAIL ADDRESS:sgsttd@vip.163.COM		
DRAWING TITLE : [1SJ-.19]		
CAD File Name :		
Designed by		
Drawn by		
Reviewed by		
Approved by		
Scale		
DWG NO.: WW1	- [1SJ-.19]	REV. 0

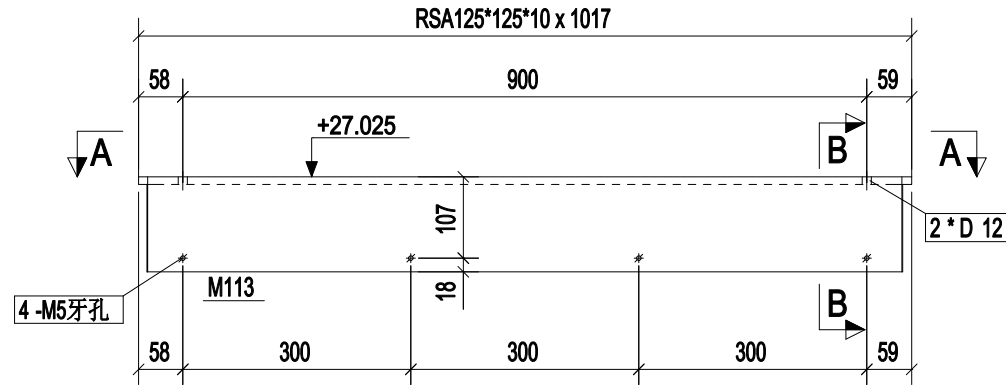
构件编号:	1SJ-20	构件数量:	2	构件重量:	18.56	
部件编号	规格(mm)	长度(mm)	数量	单重(kg)	共重(kg)	表面积(m ²)
M112	RSA125*125*10	1005	1	18.56	18.56	0.50
合计:					18.56	



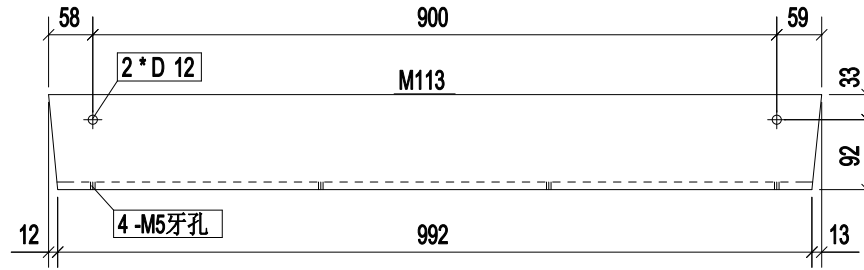
0	第1次报批	2018-11-15
Rev.	Description	Date
PROJECT: PROPOSED SITE C1 DEVELOPMENT AT AREA 86, TKOTL 70 RP, TSEUNG KWAN O, NEW TERRITORIES		
CLIENT: 美特鋁質有限公司 MIDI ALUMINIUM FABRICATOR LTD. Units 6-8, Sunray Industrial Centre, 1/F 510 Cha Kwo Ling Road, Kowloon Tel:23489211-4 Fax:(852)27727666		
银同有限公司 Silver Town Limited Tel:0769-83354968 Fax:0769-83359954 E-MAIL ADDRESS:sgsttd@vip.163.COM		

DRAWING TITLE :	
[1SJ-20]	
CAD File Name :	
Designed by	
Drawn by	
Reviewed by	
Approved by	
Scale	
DWG NO.: WW1	- [1SJ-20] REV. 0

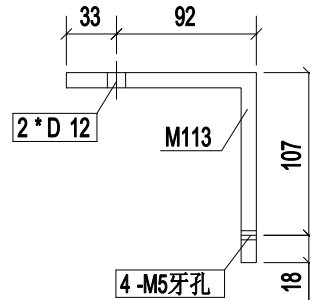
构件编号:	1SJ-21	构件数量:	4	构件重量:	18.83	
部件编号	规格(mm)	长度(mm)	数量	单重(kg)	共重(kg)	表面积(m ²)
M113	RSA125*125*10	1017	1	18.83	18.83	0.50
合计:					18.83	



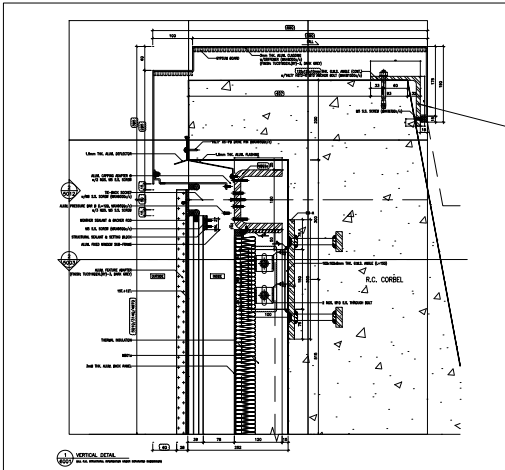
构件: 1SJ-21



A - A



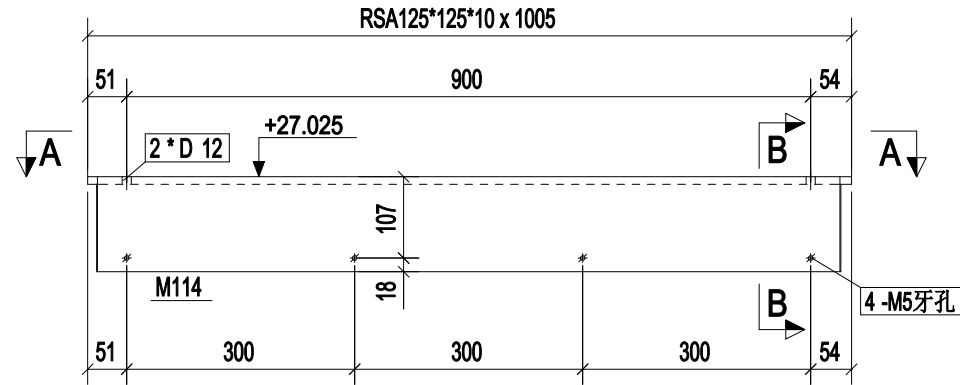
B - B



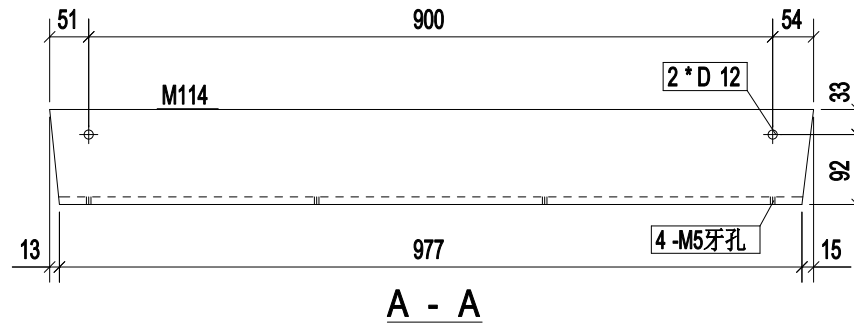
本品

0	第1次报批	2018-11-15
Rev.	Description	Date
PROJECT: PROPOSED SITE C1 DEVELOPMENT AT AREA 86, TKOTL 70 RP, TSEUNG KWAN O, NEW TERRITORIES		
CLIENT: 美特铝质有限公司 MIDI ALUMINIUM FABRICATOR LTD. Units 6-8, Sunray Industrial Centre, 1/F 510 Cha Kwo Ling Road, Kowloon Tel:23489211-4 Fax:(852)27727666		
银同有限公司 Silver Town Limited Tel:0769-83354968 Fax:0769-83359954 E-MAIL ADDRESS:sgsttd@vip.163.COM		
DRAWING TITLE : [1SJ-21]		
CAD File Name :		
Designed by		
Drawn by		
Reviewed by		
Approved by		
Scale		
DWG NO.: WW1	- [1SJ-21]	REV. 0

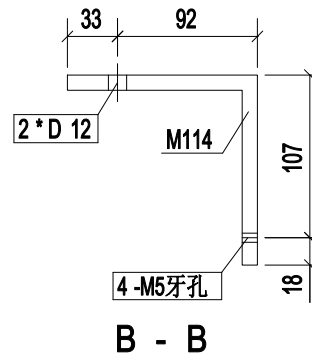
构件编号:	1SJ-22	构件数量:	2	构件重量:	18.56	
部件编号	规格(mm)	长度(mm)	数量	单重(kg)	共重(kg)	表面积(m ²)
M114	RSA125*125*10	1005	1	18.56	18.56	0.50
合计:					18.56	



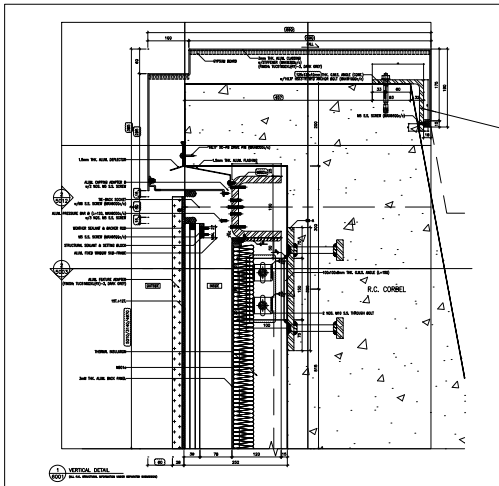
构件: 1SJ-22



A - A



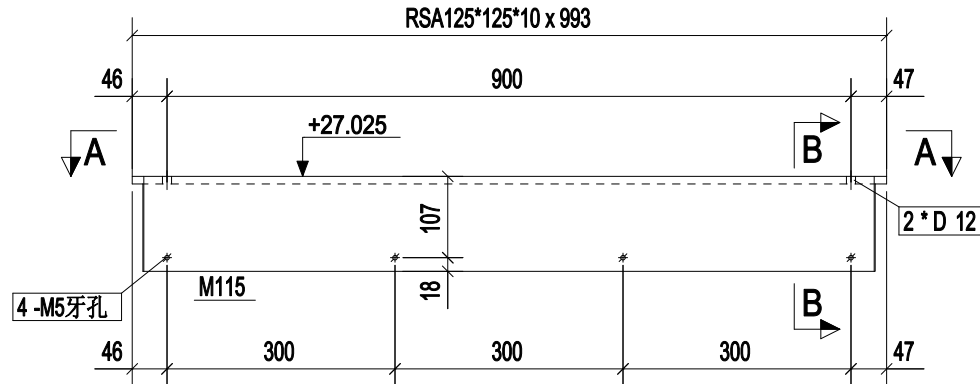
B - B



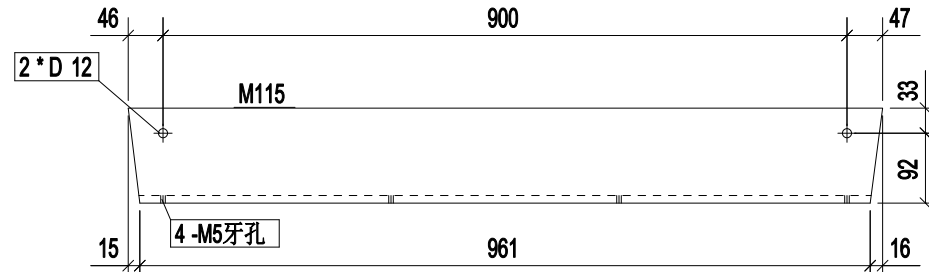
本品

0	第1次报批	2018-11-15
Rev.	Description	Date
PROJECT: PROPOSED SITE C1 DEVELOPMENT AT AREA 86, TKOTL 70 RP, TSEUNG KWAN O, NEW TERRITORIES		
CLIENT: 美特鋁質有限公司 MIDI ALUMINIUM FABRICATOR LTD. Units 6-8, Sunray Industrial Centre, 1/F 510 Cha Kwo Ling Road, Kowloon Tel:23489211-4 Fax:(852)27727666		
银同有限公司 Silver Town Limited Tel:0769-83354968 Fax:0769-83359954 E-MAIL ADDRESS:sgsttd@vip.163.COM		
DRAWING TITLE : [1SJ-22]		
CAD File Name :		
Designed by		
Drawn by		
Reviewed by		
Approved by		
Scale		
DWG NO.: WW1	- [1SJ-22]	REV. 0

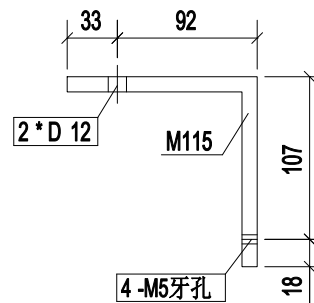
构件编号:	1SJ-23	构件数量:	2	构件重量:	18.27	
部件编号	规格(mm)	长度(mm)	数量	单重(kg)	共重(kg)	表面积(m ²)
M115	RSA125*125*10	993	1	18.27	18.27	0.49
合计:					18.27	



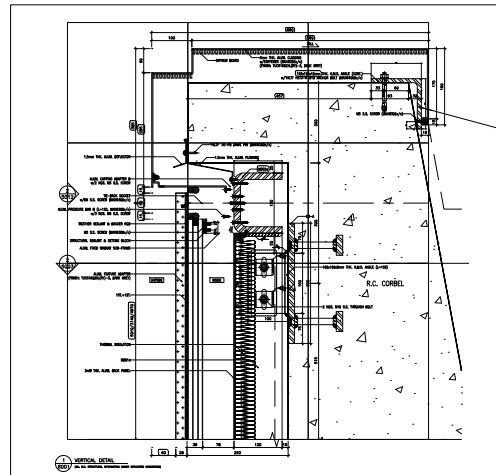
构件: 1SJ-23



A - A



B - B



本品

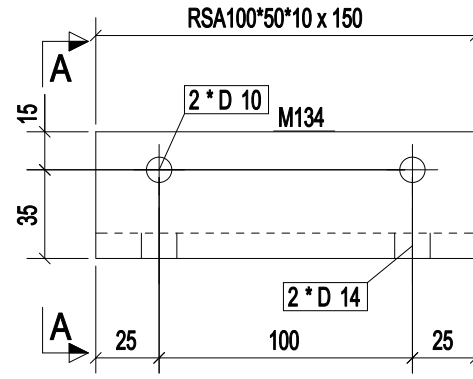
0	第1次报批	2018-11-15
Rev.	Description	Date
PROJECT: PROPOSED SITE C1 DEVELOPMENT AT AREA 86, TKOTL 70 RP, TSEUNG KWAN O, NEW TERRITORIES		
CLIENT: 美特铝质有限公司 MIDI ALUMINIUM FABRICATOR LTD. Units 6-8, Sunray Industrial Centre, 1/F 510 Cha Kwo Ling Road, Kowloon Tel:23489211-4 Fax:(852)2727666		

银同有限公司 Silver Town Limited Tel:0769-83354968 Fax:0769-83359954 E-MAIL ADDRESS:sgsttd@vip.163.COM		
--	--	--

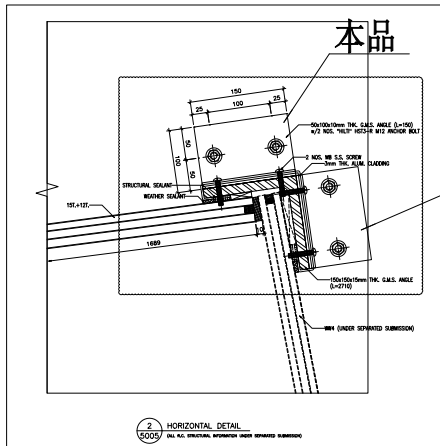
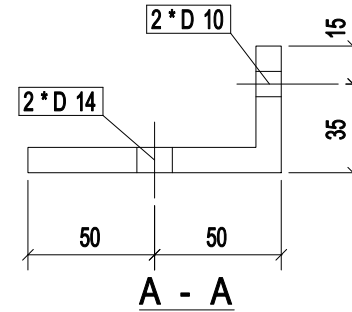
DRAWING TITLE : [1SJ-23]		
------------------------------------	--	--

CAD File Name :		
Designed by		
Drawn by		
Reviewed by		
Approved by		
Scale		
DWG NO.: WW1	- [1SJ-23]	REV. 0

构件编号:	1SJ-24	构件数量:	4	构件重量:	1.65	
部件编号	规格(mm)	长度(mm)	数量	单重(kg)	共重(kg)	表面积(m ²)
M134	RSA100*50*10	150	1	1.65	1.65	0.05
合计:					1.65	




构件: 1SJ-24

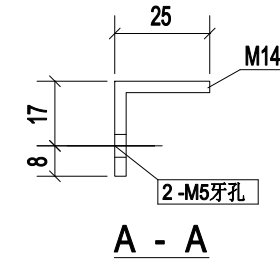
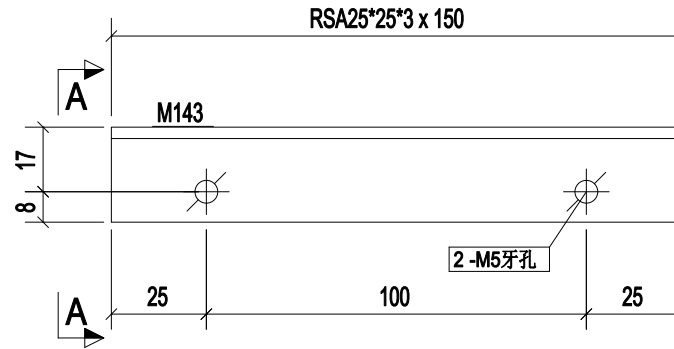


本品

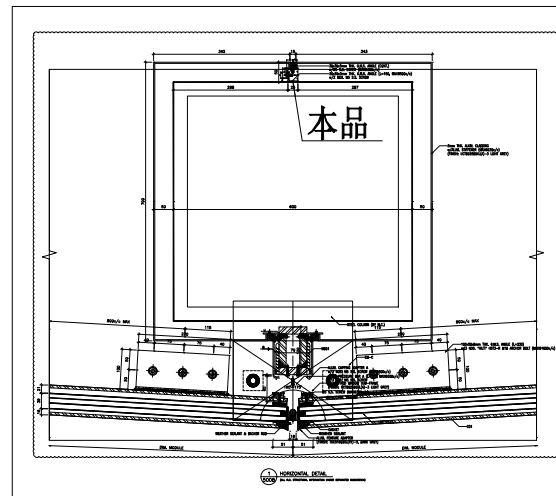
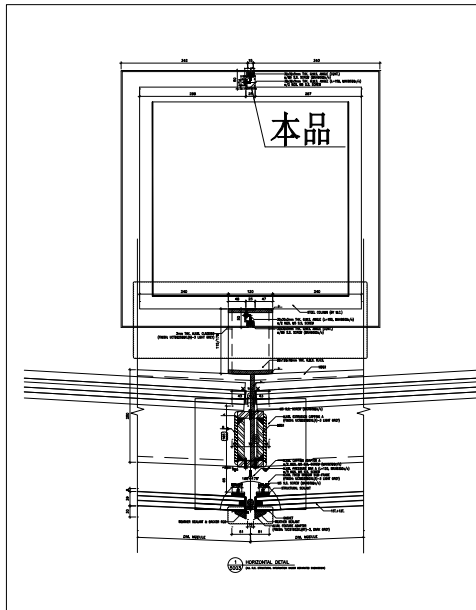
本品

0	第1次报批	2018-11-15
Rev.	Description	Date
PROJECT: PROPOSED SITE C1 DEVELOPMENT AT AREA 86, TKOTL 70 RP, TSEUNG KWAN O, NEW TERRITORIES		
CLIENT:  美特鋁質有限公司 MIDI ALUMINIUM FABRICATOR LTD. Units 6-8, Sunray Industrial Centre, 1/F 510 Cha Kwo Ling Road, Kowloon Tel:23489211-4 Fax:(852)27727666		
 银同有限公司 Silver Town Limited Tel:0769-83354968 Fax:0769-83359954 E-MAIL ADDRESS:sgsttd@vip.163.COM		
DRAWING TITLE : [1SJ-24]		
CAD File Name :		
Designed by		
Drawn by		
Reviewed by		
Approved by		
Scale		
DWG NO.: WW1	- [1SJ-24]	REV. 0

构件编号:	1SJ-25	构件数量:	116	构件重量:	0.17	
部件编号	规格(mm)	长度(mm)	数量	单重(kg)	共重(kg)	表面积(m ²)
M143	RSA25*25*3	150	1	0.17	0.17	0.01
合计:					0.17	

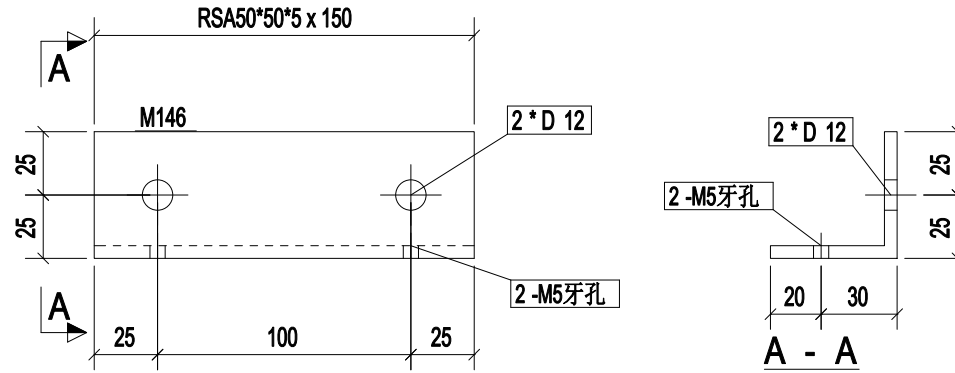


构件: 1SJ-25

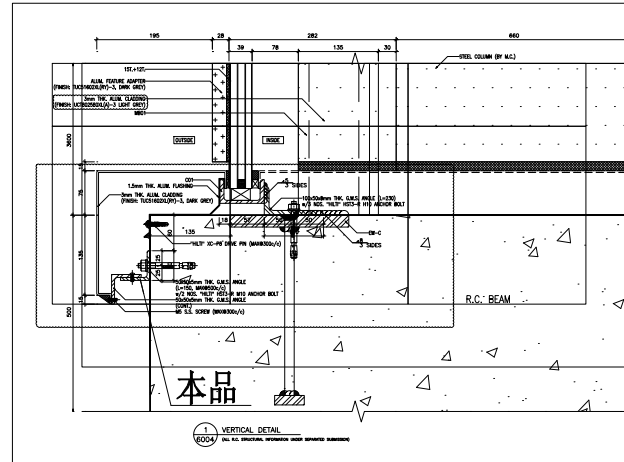
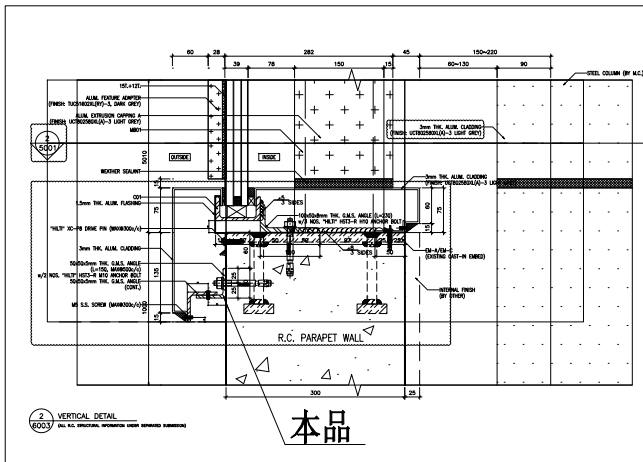


0	第1次报批	2018-11-15
Rev.	Description	Date
PROJECT: PROPOSED SITE C1 DEVELOPMENT AT AREA 86, TKOTL 70 RP, TSEUNG KWAN O, NEW TERRITORIES		
CLIENT: 美特鋁質有限公司 MIDI ALUMINIUM FABRICATOR LTD. Units 6-8, Sunray Industrial Centre, 1/F 510 Cha Kwo Ling Road, Kowloon Tel:23489211-4 Fax:(852)27727666		
银同有限公司 Silver Town Limited Tel:0769-83354968 Fax:0769-83359954 E-MAIL ADDRESS:sgsttd@vip.163.COM		
DRAWING TITLE : [1SJ-25]		
CAD File Name :		
Designed by		
Drawn by		
Reviewed by		
Approved by		
Scale		
DWG NO.: WW1	- [1SJ-25]	REV. 0

构件编号:	1SJ-26	构件数量:	149	构件重量:	0.57	
部件编号	规格(mm)	长度(mm)	数量	单重(kg)	共重(kg)	表面积(m ²)
M146	RSA50*50*5	150	1	0.57	0.57	0.03
合计:					0.57	

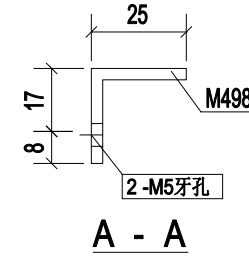
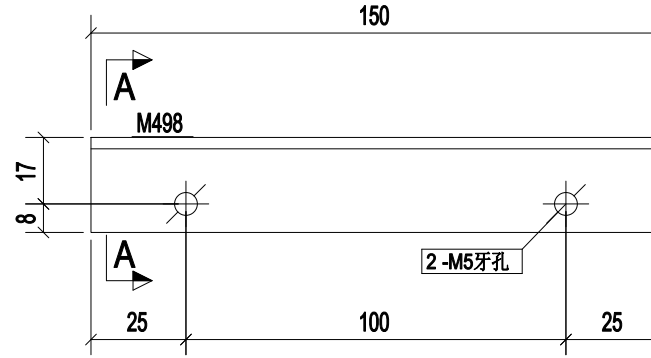


构件: 1SJ-26

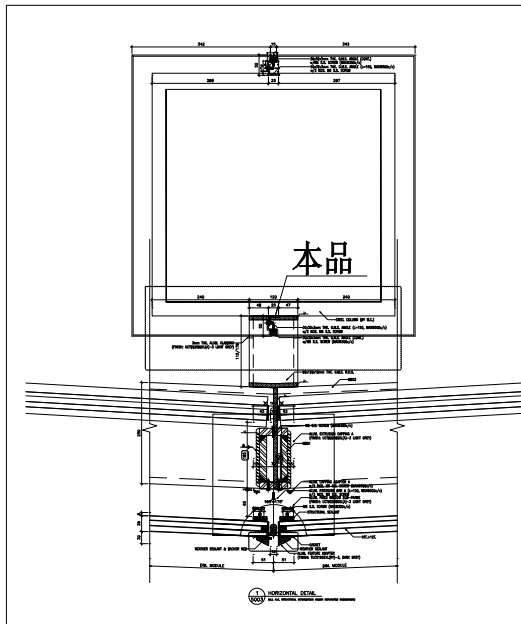




0	第1次报批	2018-11-15
Rev.	Description	Date
PROJECT: PROPOSED SITE C1 DEVELOPMENT AT AREA 86, TKOTL 70 RP, TSEUNG KWAN O, NEW TERRITORIES		
CLIENT: 美特铝质有限公司 MIDI ALUMINIUM FABRICATOR LTD. Units 6-8, Sunray Industrial Centre, 1/F 610 Cha Kwo Ling Road, Kowloon Tel:23489211-4 Fax:(852)27727666		
银同有限公司 Silver Town Limited Tel:0769-83354968 Fax:0769-83359954 E-MAIL ADDRESS:sgsttd@vip.163.COM		
DRAWING TITLE : [1SJ-26]		
CAD File Name :		
Designed by		
Drawn by		
Reviewed by		
Approved by		
Scale		
DWG NO: WW1	- [1SJ-26]	REV. 0

构件编号:	1SJ-27	构件数量:	105	构件重量:	0.17	
部件编号	规格(mm)	长度(mm)	数量	单重(kg)	共重(kg)	表面积(m ²)
M498	RSA25*25*3	150	1	0.17	0.17	0.01
合计:					0.17	

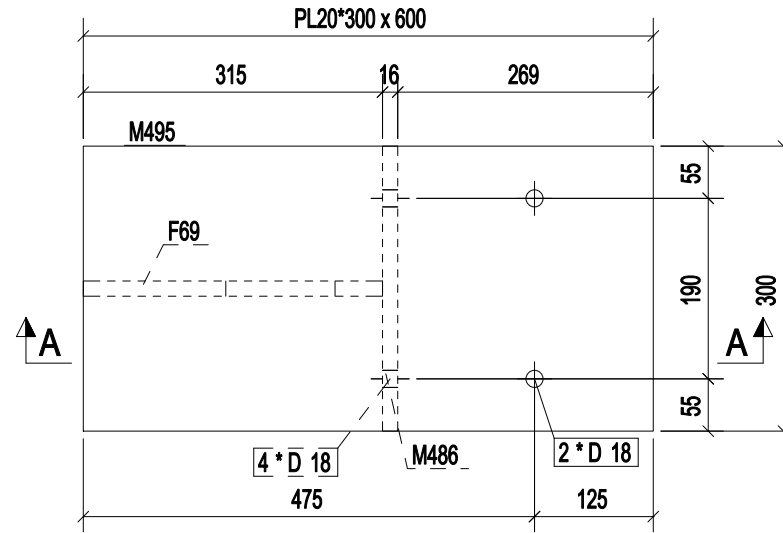


构件: 1SJ-27

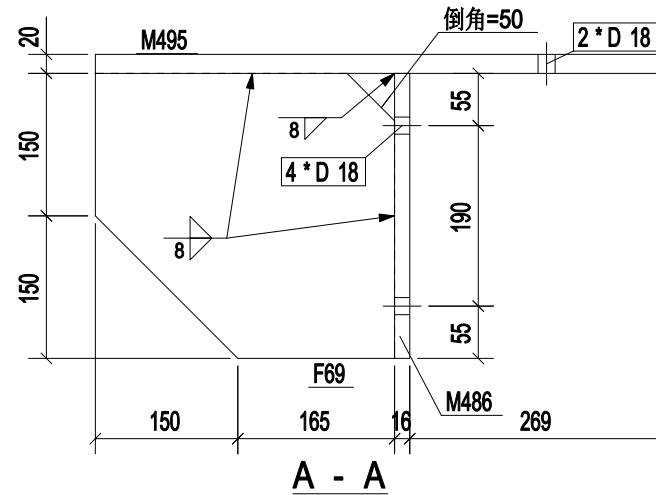


0	第1次报批	2018-11-15
Rev.	Description	Date
PROJECT: PROPOSED SITE C1 DEVELOPMENT AT AREA 86, TKOTL 70 RP, TSEUNG KWAN O, NEW TERRITORIES		
CLIENT:  美特铝质有限公司 MIDI ALUMINIUM FABRICATOR LTD. Units 6-8, Sunray Industrial Centre, 1/F 510 Cha Kwo Ling Road, Kowloon Tel:23489211-4 Fax:(852)27727666		
 银同有限公司 Silver Town Limited Tel:0769-83354968 Fax:0769-83359954 E-MAIL ADDRESS:sgsttd@vip.163.COM		
DRAWING TITLE : [1SJ-27]		
CAD File Name :		
Designed by		
Drawn by		
Reviewed by		
Approved by		
Scale		
DWG NO: WW1	- [1SJ-27]	REV. 0

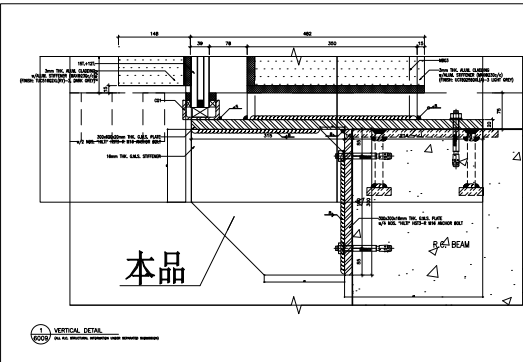
构件编号:	1SJ-29	构件数量:	1	构件重量:	51.43	
部件编号	规格(mm)	长度(mm)	数量	单重(kg)	共重(kg)	表面积(m ²)
F69	PLT16*300	315	1	11.87	11.87	0.18
M486	PL16*300	300	1	11.30	11.30	0.20
M495	PL20*300	600	1	28.26	28.26	0.40
				合计:	51.43	



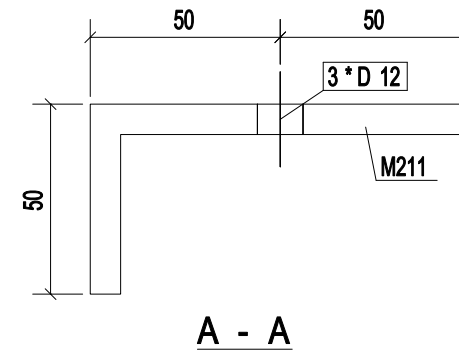
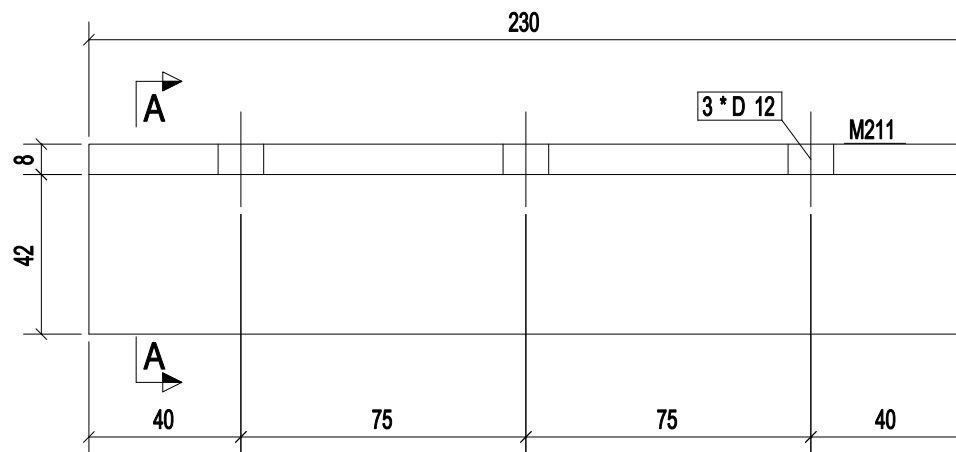
构件: 1SJ-29



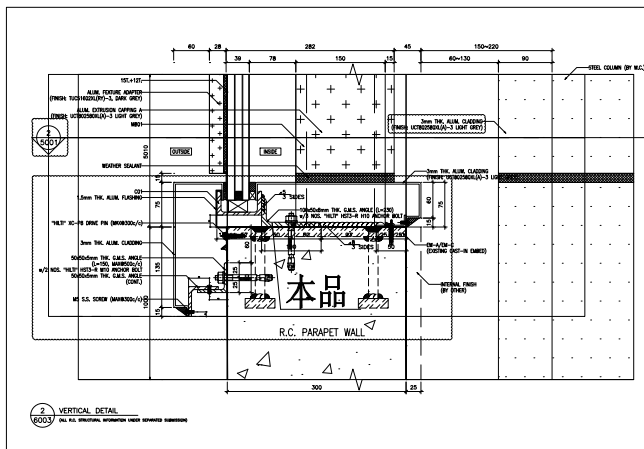
A - A



0	第1次报批	2018-11-15
Rev.	Description	Date
PROJECT: PROPOSED SITE C1 DEVELOPMENT AT AREA 86, TKOTL 70 RP, TSEUNG KWAN O, NEW TERRITORIES		
CLIENT: 美特鋁質有限公司 MIDI ALUMINIUM FABRICATOR LTD. Units 6-8, Sunray Industrial Centre, 1/F 510 Cha Kwo Ling Road, Kowloon Tel:23489211-4 Fax:(852)27727666		
银同有限公司 Silver Town Limited Tel:0769-83354968 Fax:0769-83359954 E-MAIL ADDRESS:sgsttd@vip.163.COM		
DRAWING TITLE : [1SJ-29]		
CAD File Name :		
Designed by		
Drawn by		
Reviewed by		
Approved by		
Scale		
DWG NO.: WW1	- [1SJ-29]	REV. 0



构件: 1SJ-31



说明: 底部U槽的角码改散件的编号。

构件编号:	1SJ-31	构件数量:	101	构件重量:	2.05	
部件编号	规格(mm)	长度(mm)	数量	单重(kg)	共重(kg)	表面积(m ²)
M211	RSA100*50*8	230	1	2.05	2.05	0.07
合计:					2.05	

0	第1次报批	2018-11-22
Rev.	Description	Date

PROJECT:
**PROPOSED SITE C1
 DEVELOPMENT AT AREA 86,
 TKOTL 70 RP, TSEUNG KWAN O,
 NEW TERRORIES**

CLIENT:
 **美特铝质有限公司**
 MIDI ALUMINIUM FABRICATOR LTD.
 Units 6-8, Sunray Industrial Centre, 1/F
 510 Cha Kwo Ling Road, Kowloon
 Tel:23489211-4 Fax:(852)27727666

[1SJ-31]

Designed by	
Drawn by	
Reviewed by	
Approved by	
Scale	
DWG NO: WW1	- [1SJ-31]
REV.	0