

工程指示 / 要求簡箋(E.I.)

工程指示編號：EI/ 9938 /18 修改版次：  
 工程編號：J836 工程名稱：日出康城7期(平台)  
 工程項目：各項玻璃門用地較  
 收件人：Maggie Lor 發件人：Joe Chan 日期：15/11/2018

要求提供 /  確認 事項：

- |                                    |                                     |                               |
|------------------------------------|-------------------------------------|-------------------------------|
| <input type="checkbox"/> 初步鋁料 B.M. | <input type="checkbox"/> 加工拆圖，然後生產  | <input type="checkbox"/> 尺寸表  |
| <input type="checkbox"/> 正式鋁料 B.M. | <input type="checkbox"/> 技術上資料 / 指示 | <input type="checkbox"/> 報價   |
| <input type="checkbox"/> 配件 B.M.   | <input type="checkbox"/> 樣辦或貨品說明書   | <input type="checkbox"/> 分判合約 |
| <input type="checkbox"/> 其他：_____  |                                     |                               |

內容：煩請訂購 Dorma BTS 80 地較

型號：EN-4 : 92  
 EN-6 : 4

( 牙 鑲 牙 hold 90° )

請在 31/12/2018 前完成上列要求。

附有關圖紙 / 文件：

Catalogue 2 頁

以上項目為：

- 原合約工程包       原合約工程加 / 減賬       新工程報價

原因：-

分發東莞各部門：

- ( ) 生產技術總監  連附件    ( ) 技術部  連附件    ( ) 生產部  連附件    ( ) 機械設計部  連附件  
 ( ) 採購部  連附件    ( ) 生產統籌部  連附件  
 ( ) 質檢部  連附件    ( ) 會計部  連附件    ( ) 報關組  連附件    ( ) 其他 \_\_\_\_\_  連附件

分發香港各部門：

- ( ) 行政部  連附件    ( ) 會計部  連附件    ( ) 統籌部  連附件    ( ) 工程部地盤科文  連附件  
 ( ) 採購部  連附件    ( ) QS 部  連附件    ( ) 維修部  連附件    ( ) 其他 \_\_\_\_\_  連附件

傳遞編號：

發件人簽署：

項目經理簽署：



**Barwin Metal Company Limited**  
Unit 2, 10th Floor, Eastern Harbour Centre,  
28 Hoi Chak Street, North Point, Hong Kong.  
Tel: (852) 2562 6899 Fax: (852) 2516 6937  
E-mail: barwinmc@hkstar.com  
**巴偉五金有限公司**  
香港北角海澤街二十八號  
東港中心十字樓二室

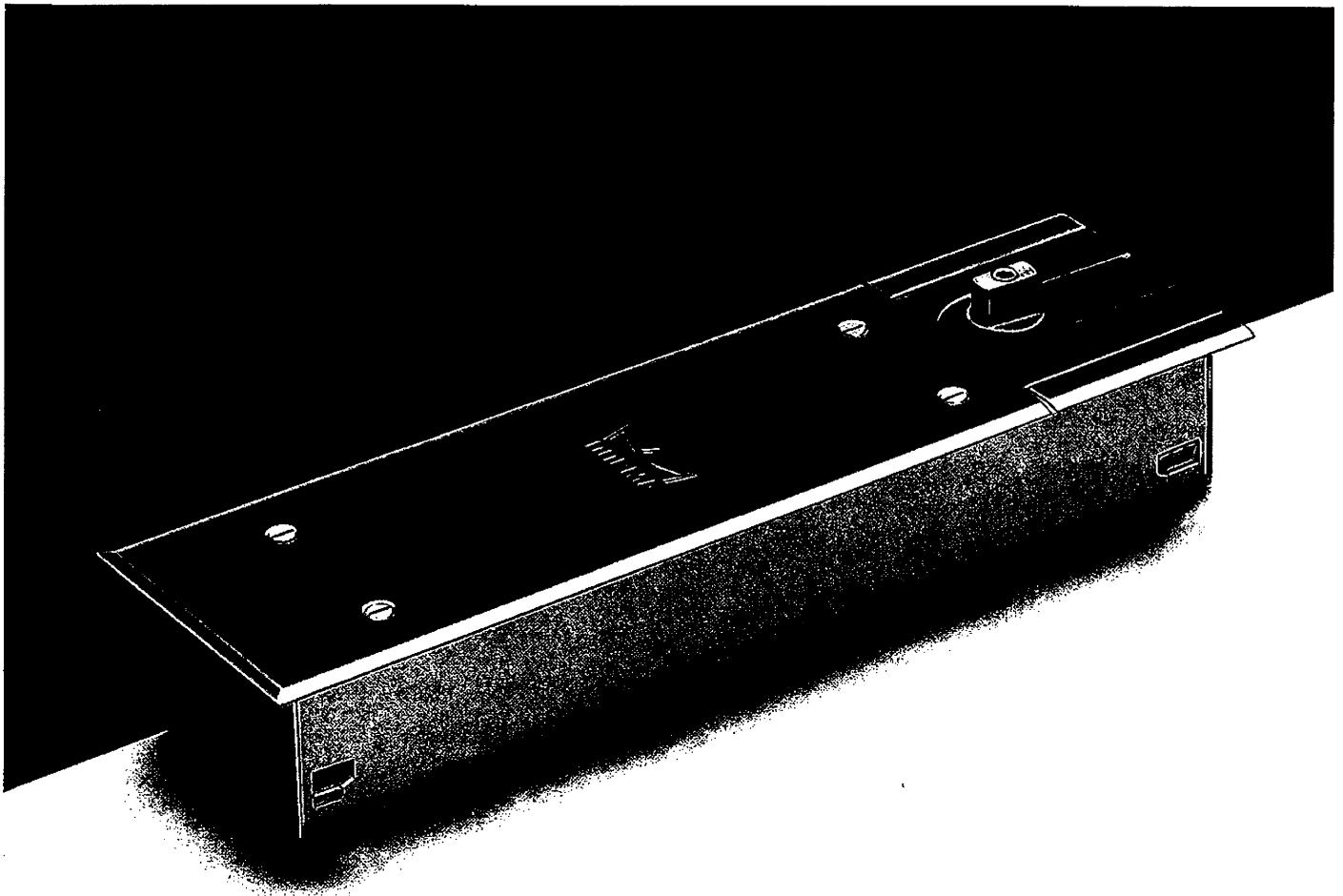
CI/SIB

(32) Xt 7

May 2000



## *Floor spring* **DORMA BTS 80**



### ***High Specification Universal floor spring***

Non-handed, for single and double action doors  
With adjustable hydraulic hold-open.



# DORMA BTS 80 –

**universal application,  
multi-functional  
quality assured**

PSA approved (MOB H3 03)  
HTM 59 (DOH)



Quality assured manufacture  
to DIN ISO 9001  
EN 29001  
BS 5750  
certified and verified by  
BSI Quality Assurance  
Reg. No. Q 6423, FM 10756

## Plus points ...

### ... for the trade

- Just one model for virtually every application.
- All the main functions as standard for reduced stock-holding.
- Available with weak or strong spring for special applications.

### ... for the installer

- Non-handed, for single and double action doors.
- Interchangeable spindle inserts available to suit site conditions.

### ... for the architect/ specifier

- Concealed installation.
- All the main functions such as hold-open, delayed action, backcheck.
- Proven, robust unit – capable of handling doors up to 300 kg in weight.

### ... for the user

- Maximum comfort and safety provided by multi-functional unit.
- Closing speed unaffected by temperature changes.
- Easy door operation due to high mechanical efficiency.

## Technical Data

## BTS 80

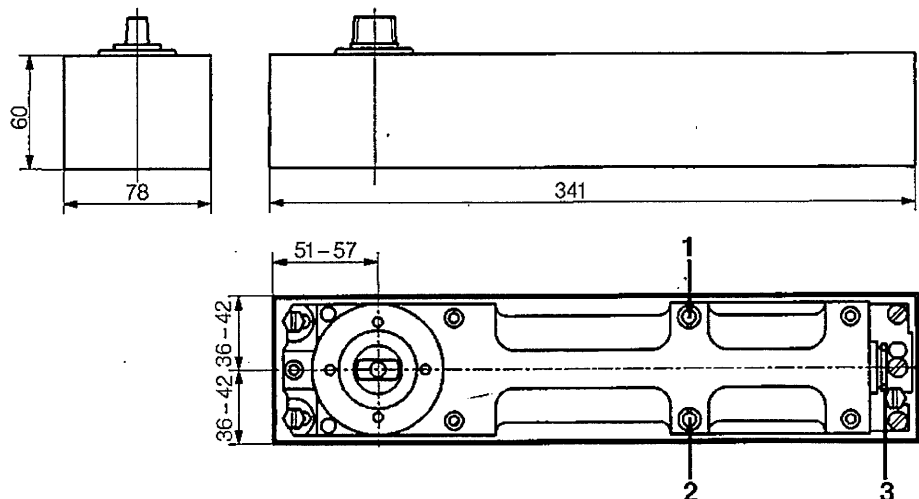
		EN 3	EN 4	EN 6
Spring strength				
Standard and external doors up to 1)	950 mm	●	–	–
	1100 mm	–	●	–
	1400 mm	–	–	●
for fire doors 2)		–	–	–
Non-handed suitable for single and double action doors		●	●	●
Closing speed variable by valve adjustment		●	●	●
Backcheck, mechanical		●	●	●
Hold-open, hydraulically adjustable		●	●	●
Delayed action variable by valve adjustment (as an alternative to the hold-open feature)		●	●	●
Weight in kg, approx.		7.1	7.1	7.1
Dimensions in mm	Length	341	341	341
	Width	78	78	78
	Height	60	60	60

● Yes – No

1) For applications involving particularly high or heavy doors, and doors which have to close against wind or draught conditions, the next larger closer size should be selected.

2) **Has been included in successful fire tests to BS 476: Pt 8**

See also brochure on BTS 80F, EMB, FLB floor springs, fire doors.



- 1 Closing speed adjustment Valve
- 2 Hold-open or delayed action valve
- 3 Adjustment screw for varying the start of the hold-open range or the end point of the delayed action range.