



工程指示 / 要求簡箋(E.I.)

工程指示編號：EI/ 9606 118 修改版次：
 工程編號：JB26 工程名稱：日出康城二期平台
 工程項目：WW2 試水箱增加鋁板拆圖
 收件人：生總, 謝永林 發件人：李耀輝 日期：2018/8/10

要求提供 / 確認 事項：

- () 初步鋁料 B.M. () 加工拆圖，然後生產 () 尺寸表
- () 正式鋁料 B.M. () 技術上資料 / 指示 () 報價
- () 配件 B.M. () 樣辦或貨品說明書 () 分判合約
- () 其他：_____

內容：

鑄造附件資料，安排拆 WW2 查料鐵後填的鋁板。(試水箱用)
 (附圖 CAD)

請在 2018/8/15 前完成上列要求。

附有關圖紙 / 文件：

4 頁

以上項目為：

- 原合約工程包 原合約工程加 / 減賬 新工程報價

原因：-

分發東莞各部門：

- () 生產技術總監 連附件 () 技術部 連附件 () 生產部 連附件 () 機械設計部 連附件
- () 採購部 連附件 () 生產統籌部 連附件
- () 質檢部 連附件 () 會計部 連附件 () 報關組 連附件 () 其他 _____ 連附件

分發香港各部門：

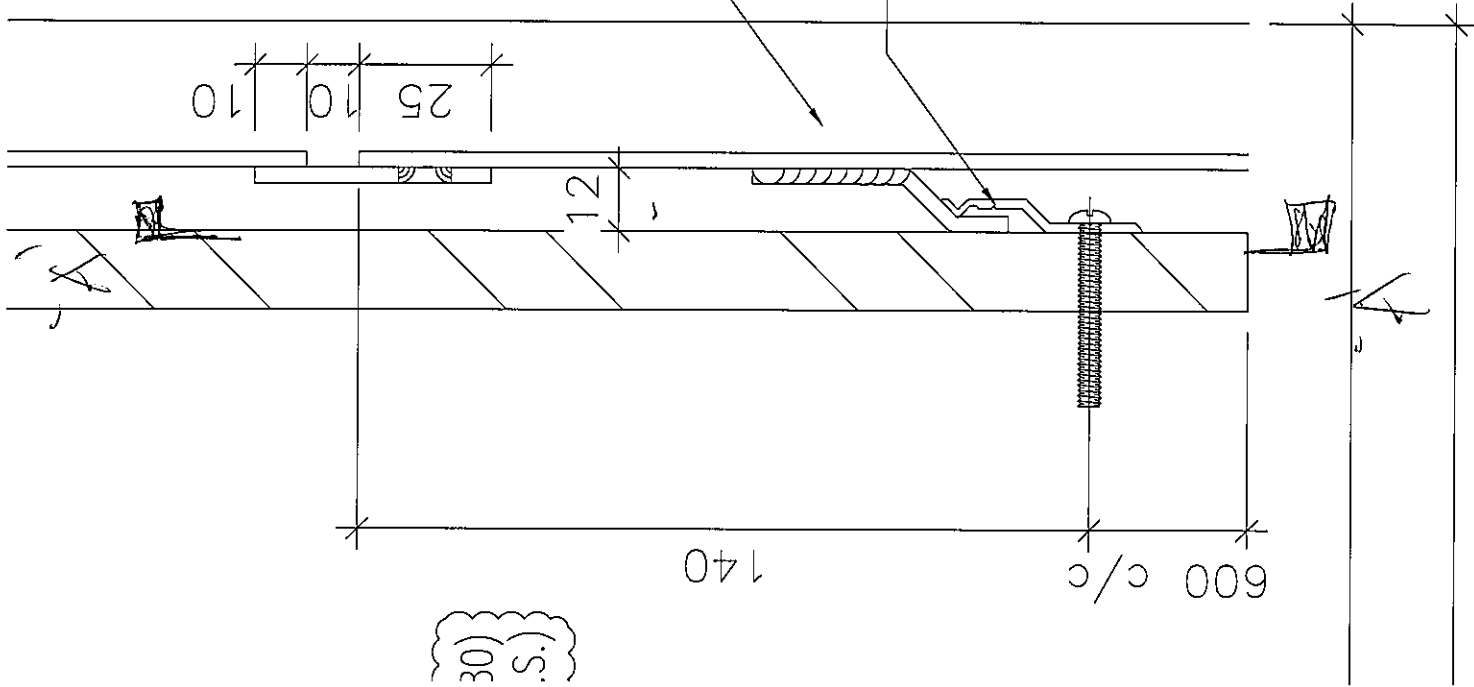
- () 行政部 連附件 () 會計部 連附件 () 統籌部 連附件 () 工程部地盤科文 連附件
- () 採購部 連附件 () QS 部 連附件 () 維修部 連附件 () 其他 _____ 連附件

傳遞編號：

HK 227 / 18

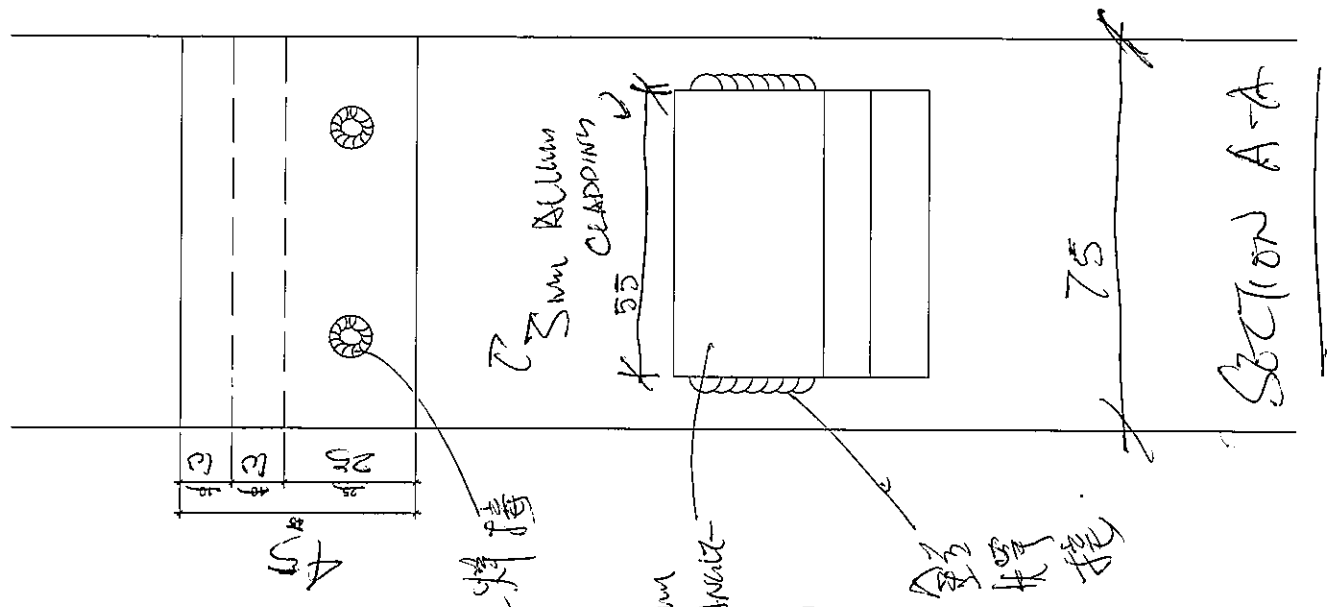
發件人簽署：

項目經理簽署：



(S) 30

長度 1500 做
4 件



鋁片

3mm ALUM CLIPPING

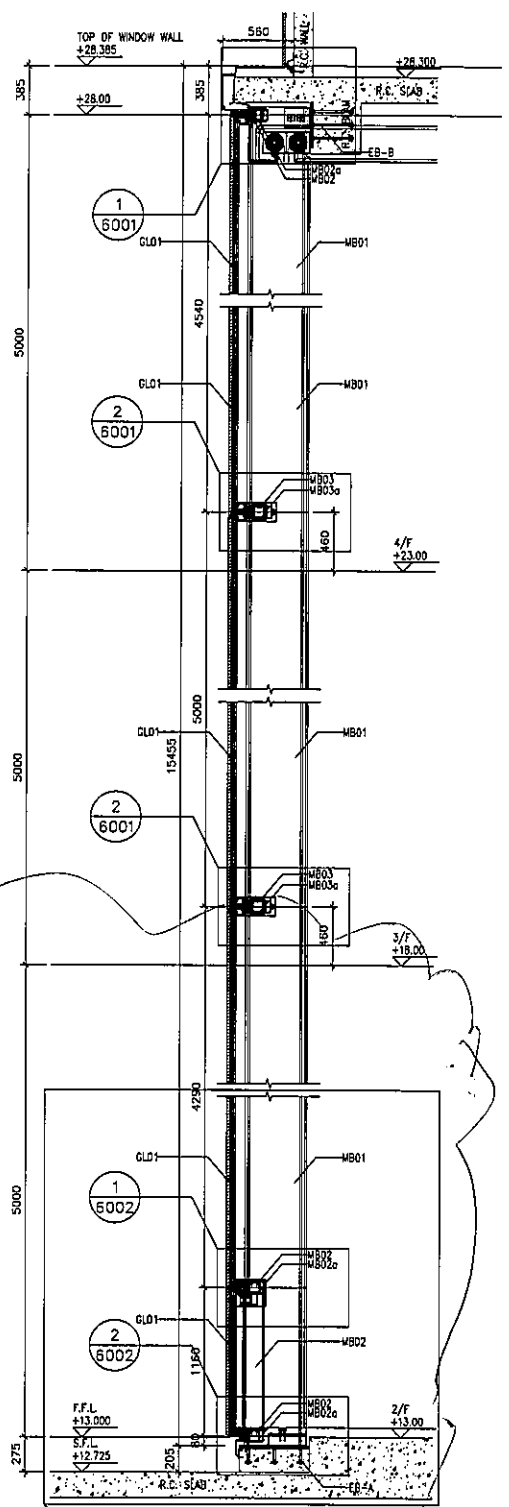
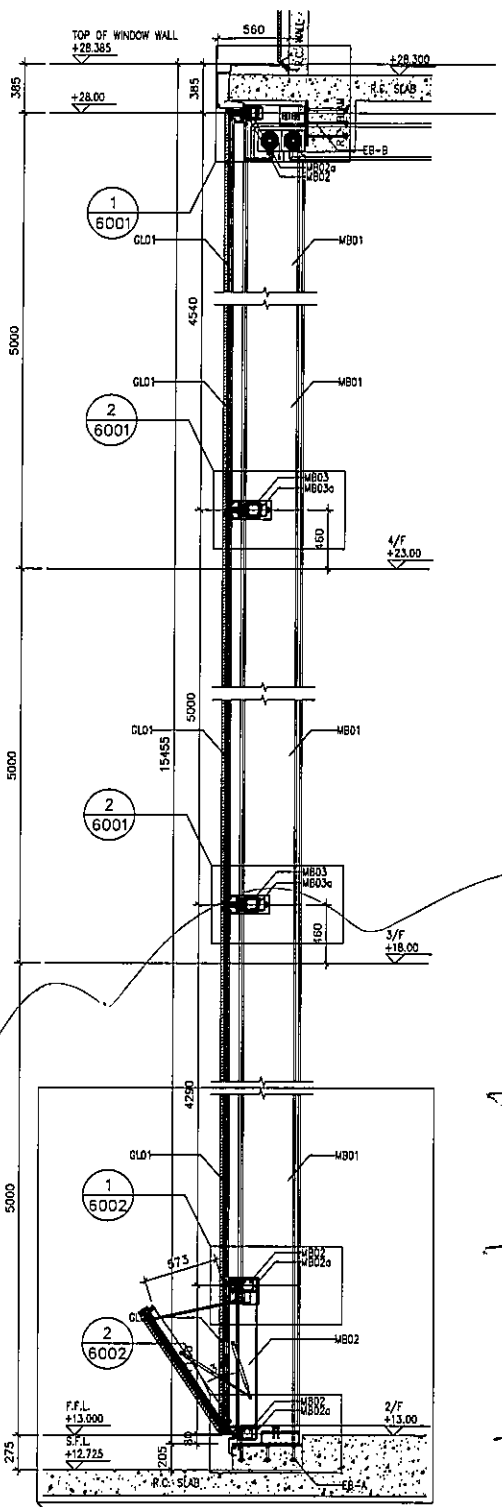
3mm THK. ALUM. PLATE

Z ANGLE

ALUM. CLIP (L=70, MAX@300c/c)
w/2 NOS. M5 S.S. SCREW

鋁片

SECTION A-A



1500
1500

1 TYPICAL SECTION OF WINDOW WALL
4001 (ALL R.C. STRUCTURAL INFORMATION UNDER SEPARATED SUBMISSION) (REFER TO DWG 1/2201)

2 TYPICAL SECTION OF WINDOW WALL
4001 (ALL R.C. STRUCTURAL INFORMATION UNDER SEPARATED SUBMISSION) (REFER TO DWG 1/2201)

<p>DATE: 17/05/2018 SCALE: 1:40</p> <p>DRAWN BY: JAH CHECKED BY: DW</p>		<p>PROJECT: PROPOSED SITE C1 DEVELOPMENT AT AREA 8B, KOTU, 70th FLOOR, TESHUNG XWAI O, NEW TERRITORIES</p> <p>TITLE: TYPICAL SECTION OF WINDOW WALL AT ROOF</p>		<p>JOB NO.: J-335</p>																			
<p>REVISIONS:</p> <table border="1"> <tr> <th>NO.</th> <th>DATE</th> <th>DESCRIPTION</th> </tr> <tr> <td>1</td> <td>17-05-2018</td> <td>ISSUED FOR PERMIT</td> </tr> <tr> <td>2</td> <td>17-05-2018</td> <td>REVISIONS TO BE MADE</td> </tr> <tr> <td>3</td> <td>17-05-2018</td> <td>REVISIONS TO BE MADE</td> </tr> <tr> <td>4</td> <td>17-05-2018</td> <td>REVISIONS TO BE MADE</td> </tr> <tr> <td>5</td> <td>17-05-2018</td> <td>REVISIONS TO BE MADE</td> </tr> </table>		NO.	DATE	DESCRIPTION	1	17-05-2018	ISSUED FOR PERMIT	2	17-05-2018	REVISIONS TO BE MADE	3	17-05-2018	REVISIONS TO BE MADE	4	17-05-2018	REVISIONS TO BE MADE	5	17-05-2018	REVISIONS TO BE MADE	<p>LEGEND:</p> <ul style="list-style-type: none"> ① DETAIL WORK NO. ② REFER SHEET NO. ③ F.F.L. - FINISHED FLOOR LEVEL ④ S.F.L. - STRUCTURAL FLOOR LEVEL ⑤ REVERSED DETAIL ⑥ MEMBER SCHEDULE ⑦ 10x10x10mm THK. GLASS FROM HOLLOW ⑧ 10x10x10mm THK. GLASS RISER ⑨ 10x10x10mm THK. GLASS RISER ⑩ 10x10x10mm THK. GLASS RISER ⑪ 10x10x10mm THK. GLASS RISER ⑫ 10x10x10mm THK. GLASS RISER ⑬ 10x10x10mm THK. GLASS RISER ⑭ 10x10x10mm THK. GLASS RISER ⑮ 10x10x10mm THK. GLASS RISER ⑯ 10x10x10mm THK. GLASS RISER ⑰ 10x10x10mm THK. GLASS RISER ⑱ 10x10x10mm THK. GLASS RISER ⑲ 10x10x10mm THK. GLASS RISER ⑳ 10x10x10mm THK. GLASS RISER ㉑ 10x10x10mm THK. GLASS RISER ㉒ 10x10x10mm THK. GLASS RISER ㉓ 10x10x10mm THK. GLASS RISER ㉔ 10x10x10mm THK. GLASS RISER ㉕ 10x10x10mm THK. GLASS RISER ㉖ 10x10x10mm THK. GLASS RISER ㉗ 10x10x10mm THK. GLASS RISER ㉘ 10x10x10mm THK. GLASS RISER ㉙ 10x10x10mm THK. GLASS RISER ㉚ 10x10x10mm THK. GLASS RISER ㉛ 10x10x10mm THK. GLASS RISER ㉜ 10x10x10mm THK. GLASS RISER ㉝ 10x10x10mm THK. GLASS RISER ㉞ 10x10x10mm THK. GLASS RISER ㉟ 10x10x10mm THK. GLASS RISER ㊱ 10x10x10mm THK. GLASS RISER ㊲ 10x10x10mm THK. GLASS RISER ㊳ 10x10x10mm THK. GLASS RISER ㊴ 10x10x10mm THK. GLASS RISER ㊵ 10x10x10mm THK. GLASS RISER ㊶ 10x10x10mm THK. GLASS RISER ㊷ 10x10x10mm THK. GLASS RISER ㊸ 10x10x10mm THK. GLASS RISER ㊹ 10x10x10mm THK. GLASS RISER ㊺ 10x10x10mm THK. GLASS RISER ㊻ 10x10x10mm THK. GLASS RISER ㊼ 10x10x10mm THK. GLASS RISER ㊽ 10x10x10mm THK. GLASS RISER ㊾ 10x10x10mm THK. GLASS RISER ㊿ 10x10x10mm THK. GLASS RISER 		<p>NOTE:</p> <ol style="list-style-type: none"> ALL DIMENSIONS ARE IN mm. ALL DIMENSIONS ARE VERIFIED FROM OUTSIDE. ALL DIMENSIONS TO BE CHECKED ON SITE BEFORE FABRICATION. 	
NO.	DATE	DESCRIPTION																					
1	17-05-2018	ISSUED FOR PERMIT																					
2	17-05-2018	REVISIONS TO BE MADE																					
3	17-05-2018	REVISIONS TO BE MADE																					
4	17-05-2018	REVISIONS TO BE MADE																					
5	17-05-2018	REVISIONS TO BE MADE																					
<p>CLIENT: MTR VENTURE SHARE LIMITED</p> <p>ARCHITECT: PRT Architects and Engineers Ltd</p> <p>MAIN CONTRACTOR: CHINA OVERSEAS BUILDING CONSTRUCTION LTD.</p> <p>STRUCTURAL ENGINEER: ARUP</p> <p>CLIENT: MTR VENTURE SHARE LIMITED</p>		<p>KEY PLAN</p>																					

