



工程指示 / 要求簡箋(E.I.)

工程指示編號：EI/ 8815 /17 修改版次：
 工程編號：J836 工程名稱：日出康城7期平台。
 工程項目：Visual Mock Up 拆圖。
 收件人：叶青 發件人：李耀鵬 日期：2017/12/15

要求提供 / 確認 事項：

- () 初步鋁料 B.M. () 加工拆圖，然後生產 () 尺寸表
- () 正式鋁料 B.M. () 技術上資料 / 指示 () 報價
- () 配件 B.M. () 樣辦或貨品說明書 () 分判合約
- () 其他：_____

內容：

附上 J836 日出康城7期平台之 Visual Mock Up 拆圖，
 煩請安排拆圖報價，並安排相關人員拆圖。

請在 2017/12/22 前完成上列要求。

附有關圖紙 / 文件：

VMU Shop Drawing 1份。
 (連 CAD檔上傳至FTP)

以上項目為：

- 原合約工程包 原合約工程加 / 減賬 新工程報價

原因：-

分發東莞各部門：

- () 生產技術總監 連附件 () 技術部 連附件 () 生產部 連附件 () 機械設計部 連附件
- () 採購部 連附件 () 生產統籌部 連附件
- () 質檢部 連附件 () 會計部 連附件 () 報關組 連附件 () 其他 _____ 連附件

分發香港各部門：

- () 行政部 連附件 () 會計部 連附件 () 統籌部 連附件 () 工程部地盤科文 連附件
- () 採購部 連附件 () QS 部 連附件 () 維修部 連附件 () 其他 _____ 連附件

傳遞編號：

HK 3726 /17

發件人簽署：

項目經理簽署：

Mc/Span / Sth


2

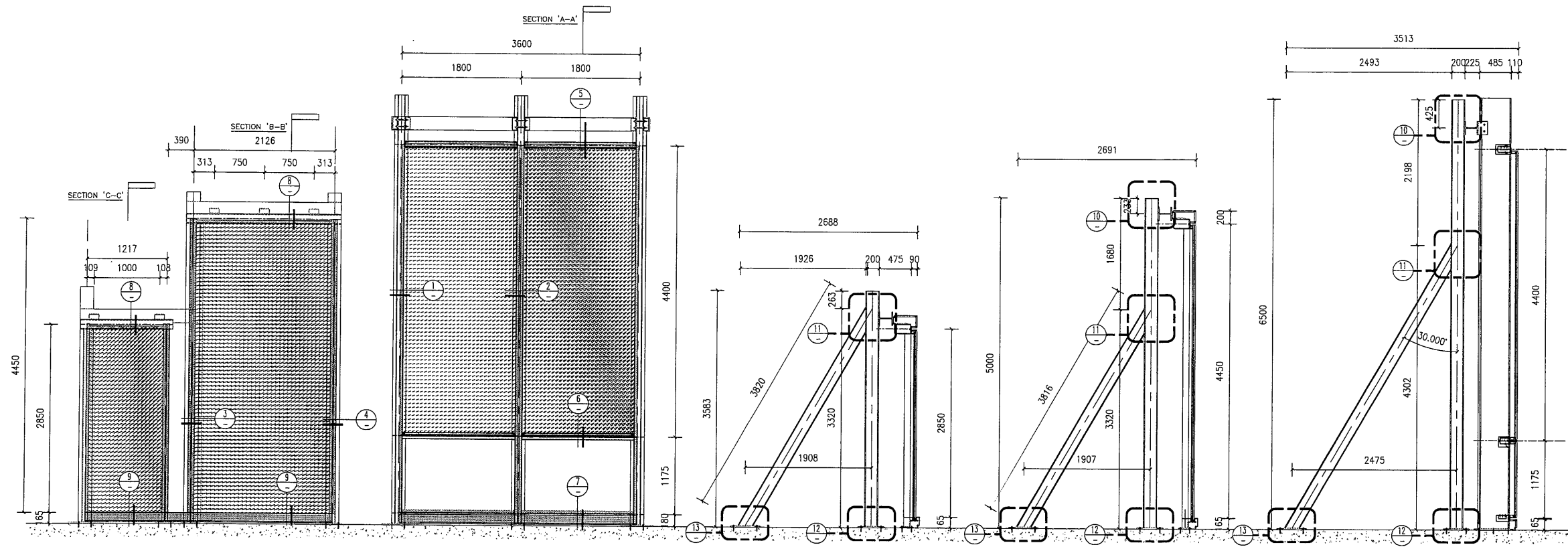
PROJECT :

PROPOSED SITE C1
DEVELOPMENT AT AREA 86,
TKOTL 70 RP, TSEUNG KWAN O, N.T.

SHOP DRAWING For VISUAL MOCK-UP (VMU)

DATE: 15-Dec-2017

 美特鋁質有限公司
MIDI ALUMINIUM FABRICATOR LTD.
Units 6-8, Sunray Industrial Centre, 1/F
610 Cha Kwo Ling Road, Kowloon
Tel:23489211-4 Fax:(852)27727666

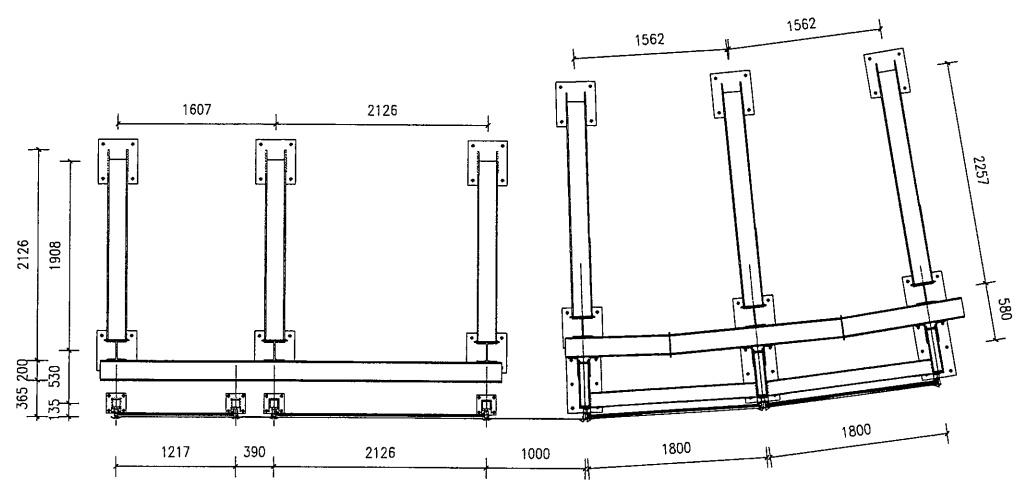


ELEVATION
For GLASS WALL (WW1, WW2, WW3)

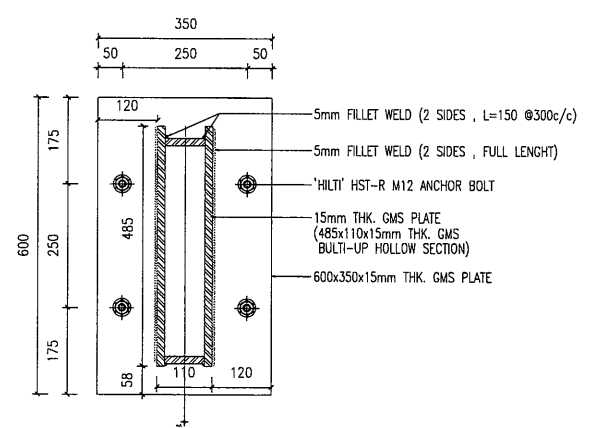
SECTION 'C-C'
GLASS WALL (WW3)

SECTION 'B-B'
GLASS WALL (WW1)

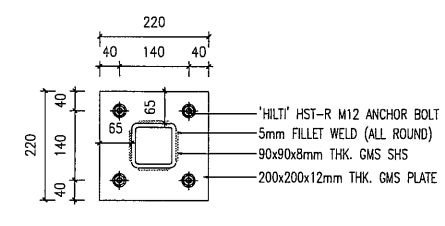
SECTION 'A-A'
GLASS WALL (WW2)



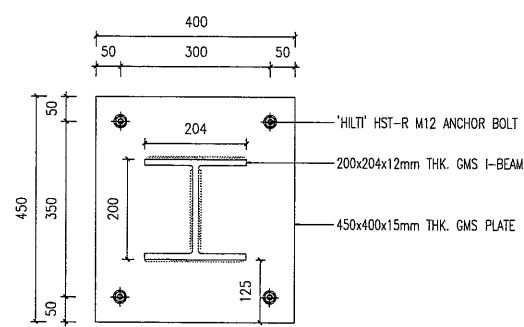
PLAN
For GLASS WALL (WW1, WW2, WW3)



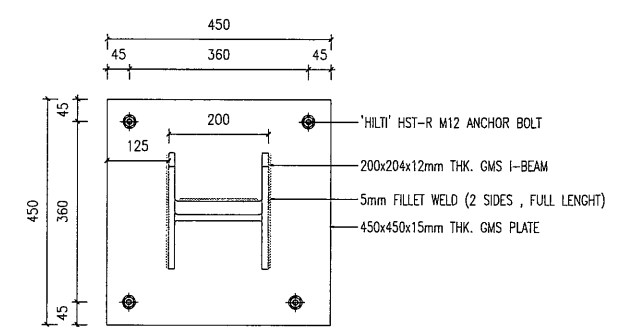
TYPICAL DETAIL For GMS PLATE
GLASS WALL (WW2)



TYPICAL DETAIL For GMS PLATE
For GLASS WALL (WW1, WW3)



TYPICAL DETAIL For GMS PLATE
For GLASS WALL (WW1, WW2, WW3)



TYPICAL DETAIL For GMS PLATE
For GLASS WALL (WW1, WW2, WW3)

B.D. REF :

CLIENT : **MTR**
VENTURE SMART LIMITED

ARCHITECT : **PAT Architects and Engineers Ltd**
巴丹拿建築及工程有限公司
www.pat-ae.com

MAIN CONTRACTOR : **CHINA OVERSEAS BUILDING CONSTRUCTION LTD.**

STRUCTURAL ENGINEER : **ARUP**

REGISTERED STRUCTURAL ENGINEER
KWAN KIN KEI
C209 7519466 MICE FINE
REGISTERED STRUCTURAL ENGINEER

FACADE CONSULTANT : **MEINHARDT**

NOTE :
1. ALL DIMENSIONS ARE IN mm.
2. ALL ELEVATIONS ARE VIEWED FROM OUTSIDE.
3. ALL DIMENSIONS TO BE VERIFIED ON SITE BEFORE FABRICATION.

LEGEND :
X1 DETAIL MARK NO.
X001 REFER SHEET NO.

1. F.F.L. --- FINISHED FLOOR LEVEL
2. S.F.L. --- STRUCTURAL FLOOR LEVEL
3. (R) --- REVERSED DETAIL

NO.	DATE	REVISED	BY

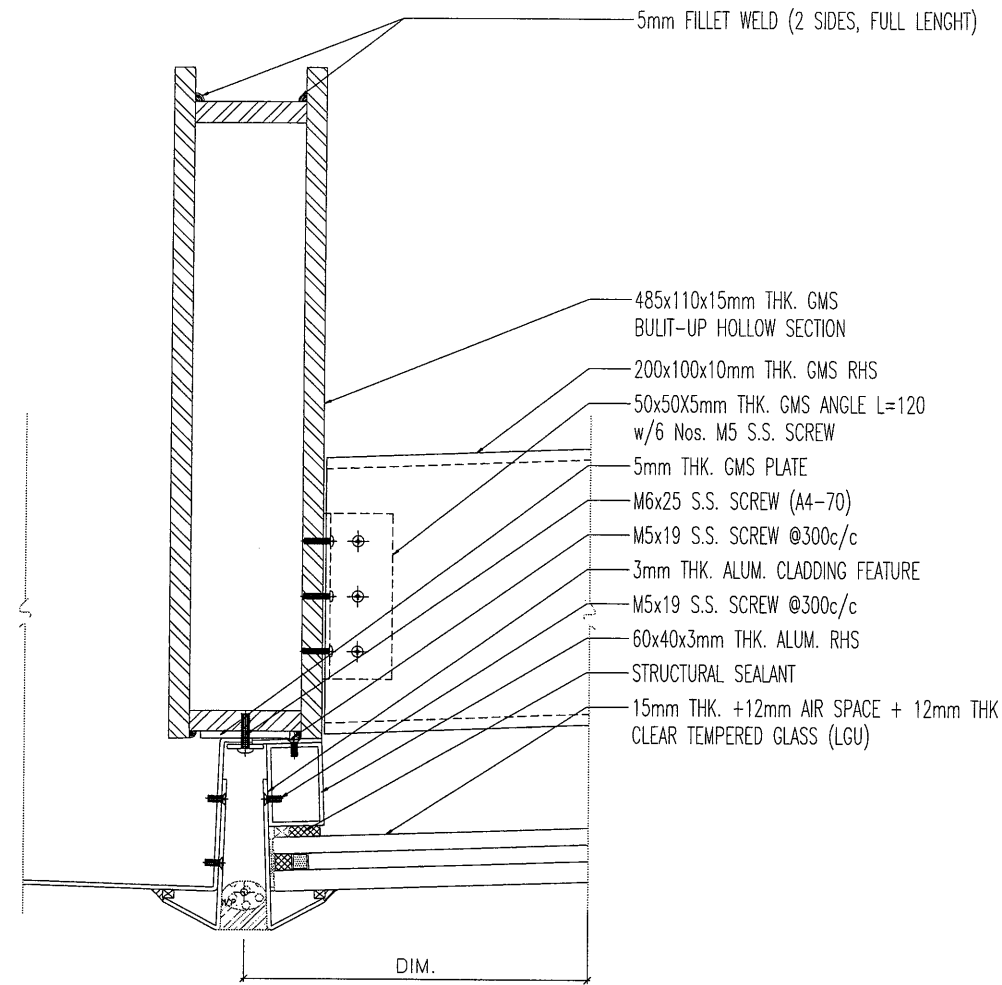
JOB NO. : J-836
PROJECT : PROPOSED SITE C1 DEVELOPMENT AT AREA 86, TKOTL 70 RP, TSEUNG KWAN O, NEW TERRITORIES

TITLE : ELEVATION & PART PLAN For VISUAL MOCK-UP GLASS WALL (WW1, WW2, WW3)

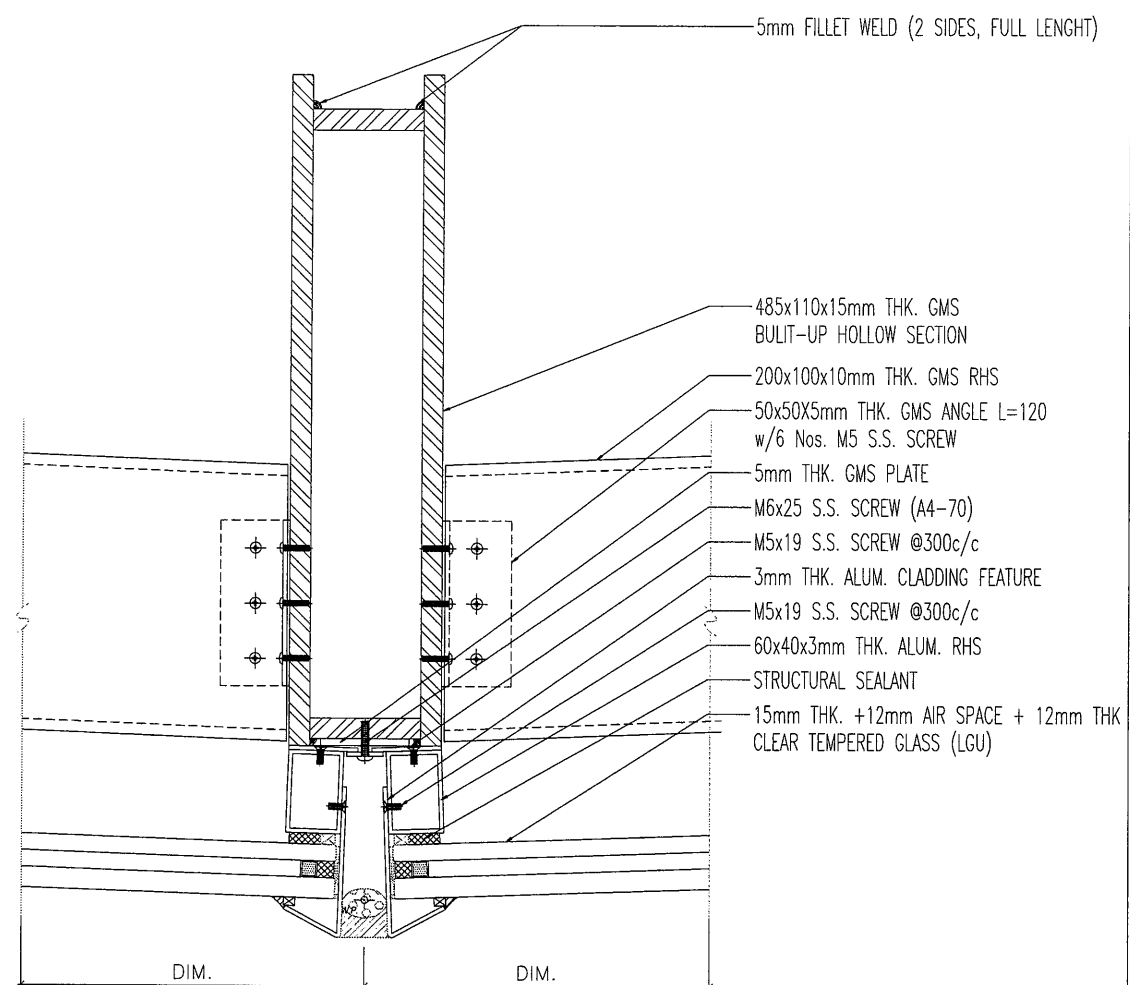
DATE : 04-OCT-17 SCALE : 1:4
DRAWN BY : MN CHECKED BY : DW

美特鋁質有限公司
MIDI ALUMINIUM FABRICATOR LTD.
Units 6-8, Sunray Industrial Centre, 1/F
610 Cha Kwo Ling Road, Kowloon
Tel:23489211-4 Fax:(852)27727666

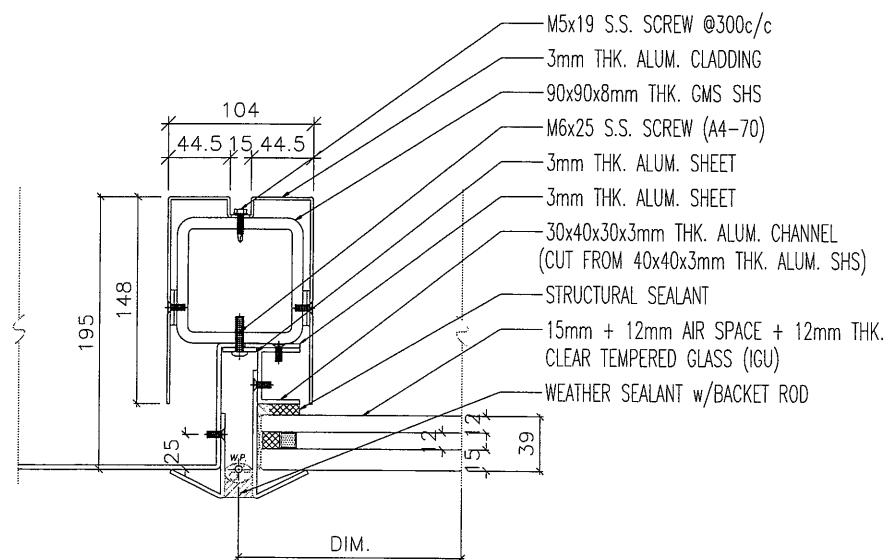
DWG NO. : J836-VMU-2001 REV. : -



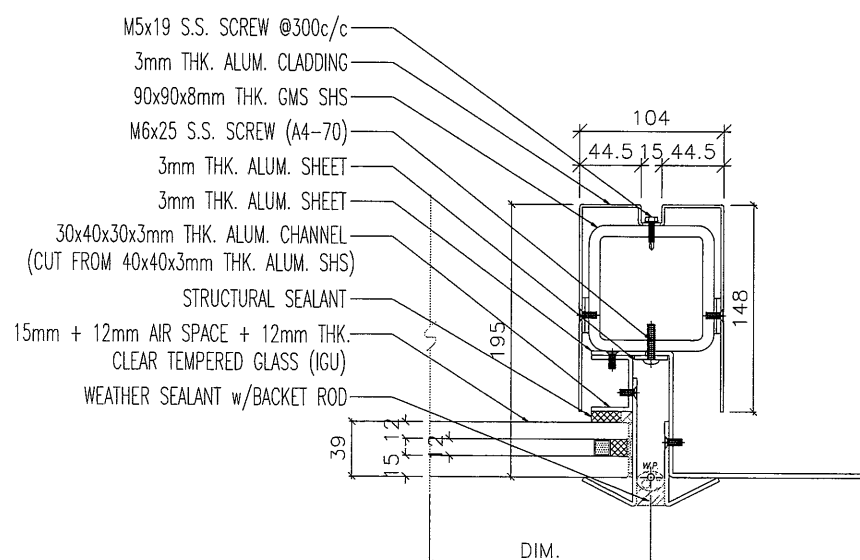
1 SECTION DETAIL
- For GLASS WALL (WW2)



1 SECTION DETAIL
- For GLASS WALL (WW2)



1 SECTION DETAIL
- For GLASS WALL (WW1, WW3)



1 SECTION DETAIL
- For GLASS WALL (WW1, WW3)

B.D. REF :

CLIENT : **MTR**
VENTURE SMART LIMITED

ARCHITECT : **P&T Architects and Engineers Ltd**
巴丹拿建築及工程師有限公司
www.p-t-engineer.com

MAIN CONTRACTOR : **CHINA OVERSEAS BUILDING CONSTRUCTION LTD.**

STRUCTURAL ENGINEER : **ARUP**

KWAN KIN KEI
CONY FRISWELL MICE FHKIE
REGISTERED STRUCTURAL ENGINEER

FAÇADE CONSULTANT: **MEIN-HARDT**

NOTE :

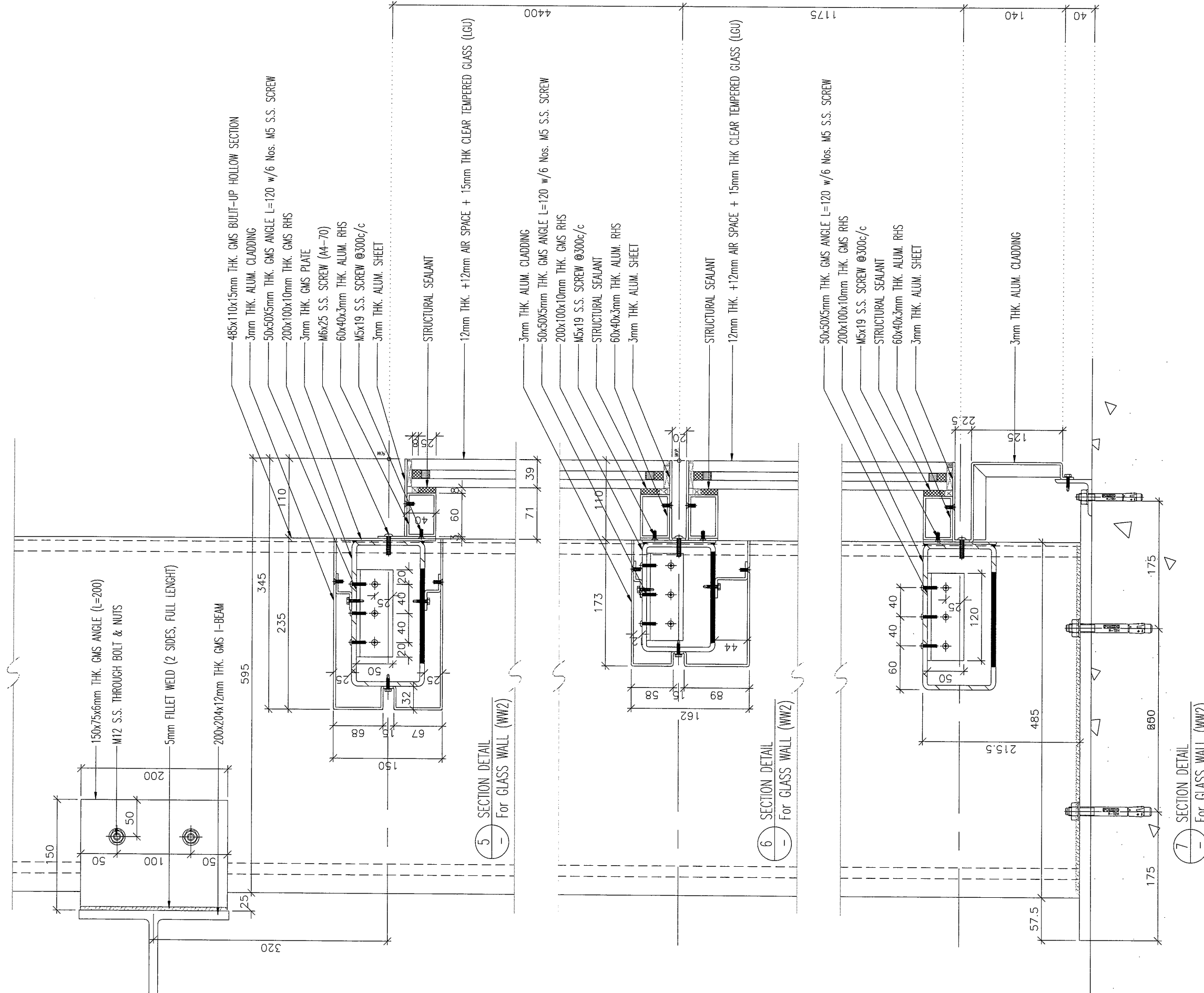
1. ALL DIMENSIONS ARE IN mm.
2. ALL ELEVATIONS ARE VIEWED FROM OUTSIDE.
3. ALL DIMENSIONS TO BE VERIFIED ON SITE BEFORE FABRICATION.

LEGEND :

X1 - DETAIL MARK NO.
X001 - REFER SHEET NO.

1. F.F.L. -- FINISHED FLOOR LEVEL
2. S.F.L. -- STRUCTURAL FLOOR LEVEL
3. (R) -- REVERSED DETAIL

NO.	DATE	REVISED	BY
JOB NO. : J-836			
PROJECT : PROPOSED SITE C1 DEVELOPMENT AT AREA 86, TKOTL 70 RP, TSEUNG KWAN O, NEW TERRITORIES			
TITLE : SECTION DETAILS			
DATE : 04-OCT-17		SCALE : 1:4	
DRAWN BY : MN		CHECKED BY : DW	
MIDI ALUMINIUM FABRICATOR LTD. Units 6-8, Sunray Industrial Centre, 1/F 610 Cha Kwo Ling Road, Kowloon Tel:23489211-4 Fax:(852)2727666			
DWG NO. : J836-VMU-5001			REV. : -



B.D. REF :

CLIENT : **MTR**
VENTURE SMART LIMITED

ARCHITECT : **P&T Architects and Engineers Ltd**
巴丹拿建築及工程師有限公司
www.p-t.com

MAIN CONTRACTOR : **CHINA OVERSEAS BUILDING CONSTRUCTION LTD.**

STRUCTURAL ENGINEER : **ARUP**

KWAN KIN KEI
CEng FStrucE MICE FRMIE
REGISTERED STRUCTURAL ENGINEER

FACADE CONSULTANT : **MEIN-HARDT**

NOTE :
 1. ALL DIMENSIONS ARE IN mm.
 2. ALL ELEVATIONS ARE VIEWED FROM OUTSIDE.
 3. ALL DIMENSIONS TO BE VERIFIED ON SITE BEFORE FABRICATION.

LEGEND :
 X1 - DETAIL MARK NO.
 X001 - REFER SHEET NO.

1. F.F.L. --- FINISHED FLOOR LEVEL
 2. S.F.L. --- STRUCTURAL FLOOR LEVEL
 3. (R) --- REVERSED DETAIL

NO.	DATE	REVISED	BY

JOB NO. : J-836

PROJECT : PROPOSED SITE C1
DEVELOPMENT AT AREA 86,
TKOTL 70 RP, TSEUNG KWAN O,
NEW TERRITORIES

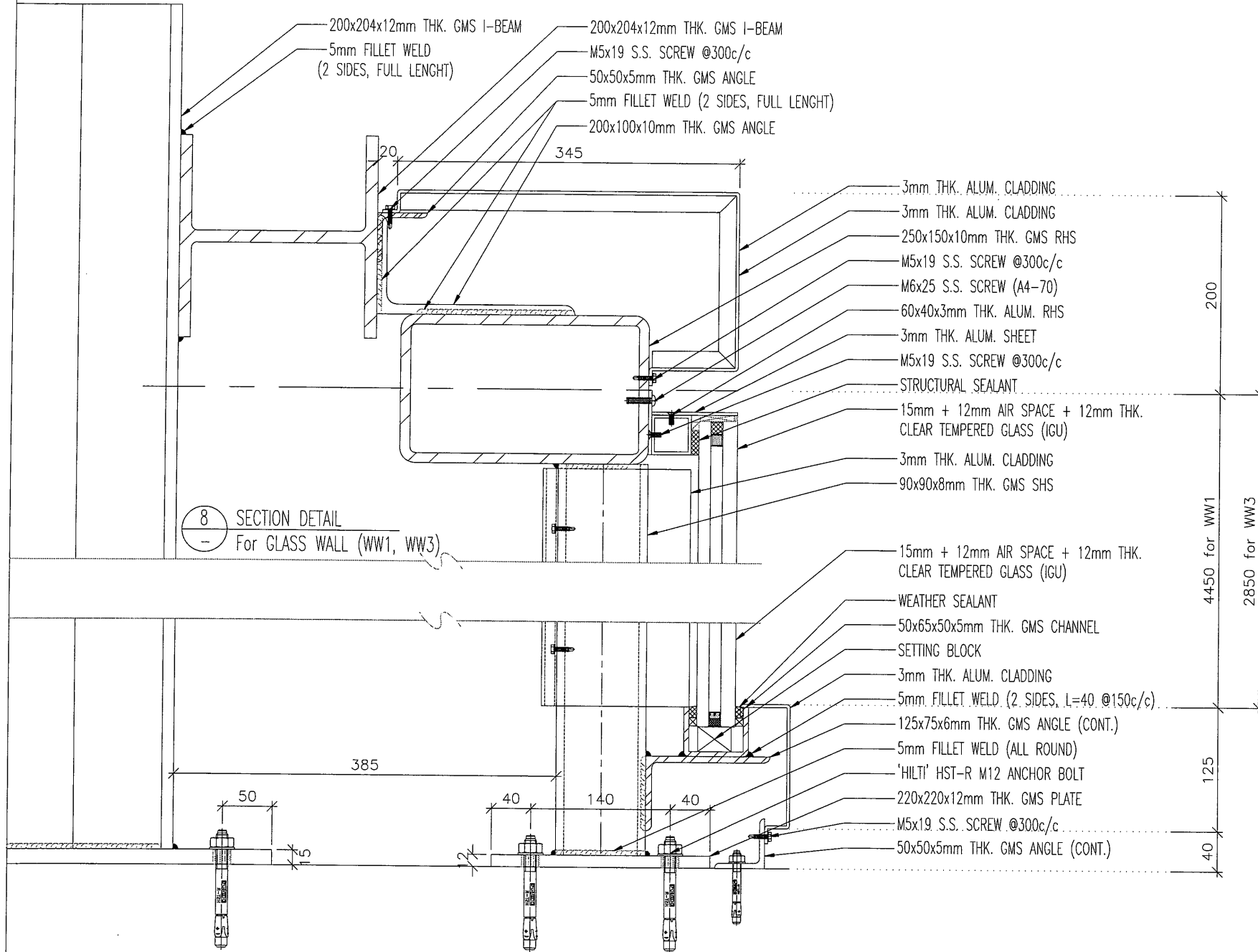
TITLE : SECTION DETAILS

DATE : 04-OCT-17 SCALE : 1:4

DRAWN BY : MN CHECKED BY : DW

美特鋁質有限公司
MIDI ALUMINIUM FABRICATOR LTD.
Units 6-8, Sunray Industrial Centre, 1/F
610 Cha Kwo Ling Road, Kowloon
Tel:23489211-4 Fax:(852)2727666

DWG NO. : J836-VMU-5002 REV. : -



8 SECTION DETAIL
For GLASS WALL (WW1, WW3)

9 SECTION DETAIL
For GLASS WALL (WW1, WW3)

B.D. REF :

CLIENT : **MTR**
VENTURE SMART LIMITED

ARCHITECT : **P&T Architects and Engineers Ltd**
巴丹拿建築及工程師有限公司
www.p-t-group.com

MAIN CONTRACTOR : **CHINA OVERSEAS BUILDING CONSTRUCTION LTD.**

STRUCTURAL ENGINEER : **ARUP**

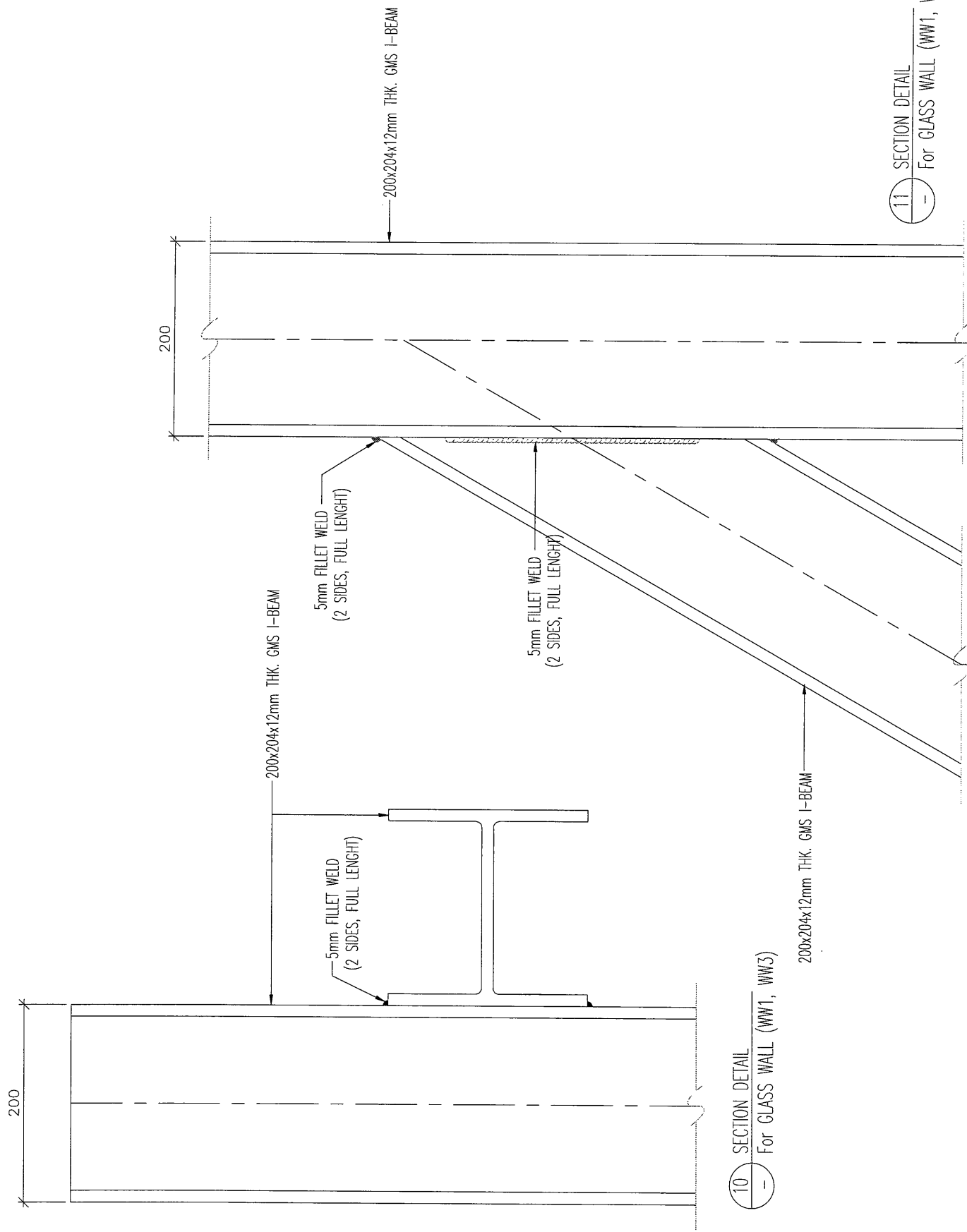
KWAN KIN KEI
CEng FStructE MICE FHKIE
REGISTERED STRUCTURAL ENGINEER

FAÇADE CONSULTANT : **MEIN-HARDT**

NOTE :
1. ALL DIMENSIONS ARE IN mm.
2. ALL ELEVATIONS ARE VIEWED FROM OUTSIDE.
3. ALL DIMENSIONS TO BE VERIFIED ON SITE BEFORE FABRICATION.

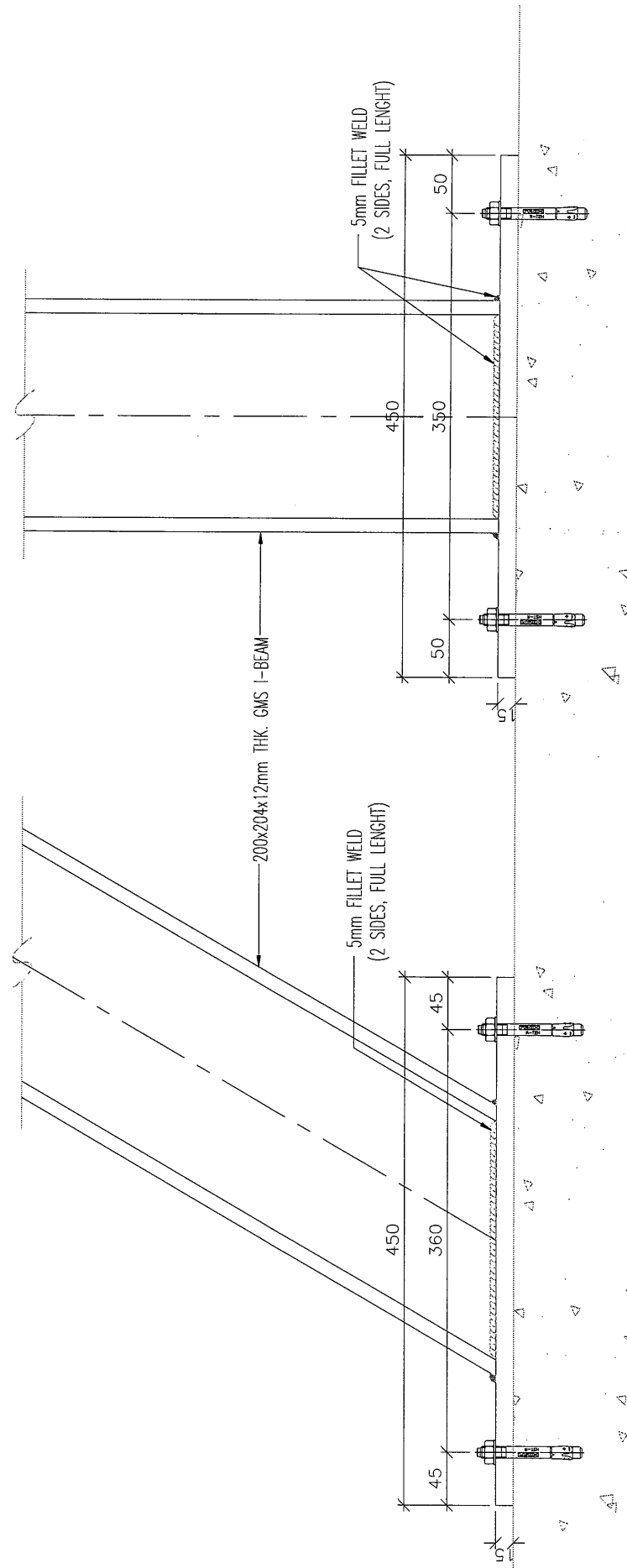
LEGEND :
X1 --- DETAIL MARK NO.
X001 --- REFER SHEET NO.
1. F.F.L. --- FINISHED FLOOR LEVEL
2. S.F.L. --- STRUCTURAL FLOOR LEVEL
3. (R) --- REVERSED DETAIL

NO.	DATE	REVISED	BY
JOB NO. : J-836			
PROJECT : PROPOSED SITE C1 DEVELOPMENT AT AREA 86, TKOTL 70 RP, TSEUNG KWAN O, NEW TERRITORIES			
TITLE : SECTION DETAILS			
DATE : 04-OCT-17		SCALE : 1:4	
DRAWN BY : MN		CHECKED BY : DW	
英特鋁質有限公司 MIDI ALUMINIUM FABRICATOR LTD. Units 6-8, Sunray Industrial Centre, 1/F 610 Cha Kwo Ling Road, Kowloon Tel:23489211-4 Fax:(852)2727666			
DWC NO. : J836-VMU-5003			REV. : -



10 SECTION DETAIL
For GLASS WALL (WW1, WW3)

11 SECTION DETAIL
For GLASS WALL (WW1, WW3)



13 SECTION DETAIL
For GLASS WALL (WW1, WW3)

12 SECTION DETAIL
For GLASS WALL (WW1, WW3)

B.D. REF :

CLIENT :



ARCHITECT :



MAIN CONTRACTOR :



STRUCTURAL ENGINEER :



KWAN KIN KEI
Civil Engineer MICE FRIE
REGISTERED STRUCTURAL ENGINEER

FACADE CONSULTANT:



NOTE :

1. ALL DIMENSIONS ARE IN mm.
2. ALL ELEVATIONS ARE VIEWED FROM OUTSIDE.
3. ALL DIMENSIONS TO BE VERIFIED ON SITE BEFORE FABRICATION.

LEGEND :

- X1 --- DETAIL MARK NO.
- X001 --- REFER SHEET NO.

1. F.F.L. --- FINISHED FLOOR LEVEL
2. S.F.L. --- STRUCTURAL FLOOR LEVEL
3. (R) --- REVERSED DETAIL

NO.	DATE	REVISED	BY

JOB NO. : J-836

PROJECT :

PROPOSED SITE C1
DEVELOPMENT AT AREA 86,
TKOTL 70 RP, TSEUNG KWAN O,
NEW TERRITORIES

TITLE :

ELEVATION FOR
SECTION DETAILS
For STEEL MEMBER ONLY

DATE : 04-OCT-17

SCALE : 1:4

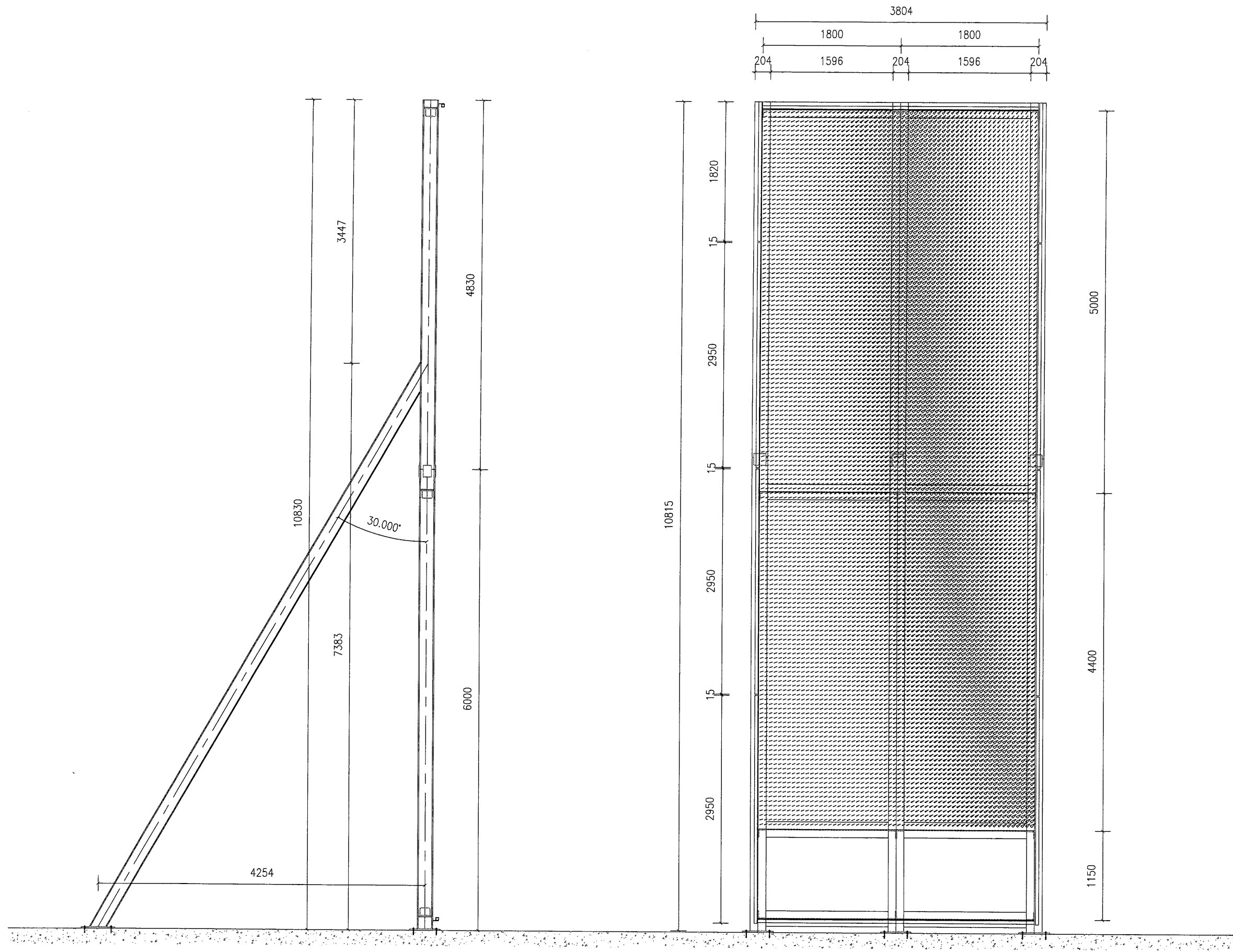
DRAWN BY : MN

CHECKED BY : DW


美特鋁質有限公司
MIDI ALUMINIUM FABRICATOR LTD.
Units 6-8, Sunray Industrial Centre, 1/F
610 Cha Kwo Ling Road, Kowloon
Tel: 23489211-4 Fax: (852) 2727666

DWG NO. : J836-VMU-5004


REV. : -





B.D. REF :

CLIENT :

 VENTURE SMART LIMITED

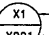
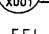
ARCHITECT :
 **P&T Architects and Engineers Ltd**
 巴馬丹拿建築及工程師有限公司
 www.p-t-group.com

MAIN CONTRACTOR :
 **CHINA OVERSEAS BUILDING CONSTRUCTION LTD.**

STRUCTURAL ENGINEER :

 KWAN KIN KEI
 CEING FIBROTEC MICE FIBRE
 REGISTERED STRUCTURAL ENGINEER

FACADE CONSULTANT:


NOTE :
 1. ALL DIMENSIONS ARE IN mm.
 2. ALL ELEVATIONS ARE VIEWED FROM OUTSIDE.
 3. ALL DIMENSIONS TO BE VERIFIED ON SITE BEFORE FABRICATION.

LEGEND :
 -- DETAIL MARK NO.
 -- REFER SHEET NO.
 1. F.F.L. -- FINISHED FLOOR LEVEL
 2. S.F.L. -- STRUCTURAL FLOOR LEVEL
 3. (R) -- REVERSED DETAIL

NO.	DATE	REVISED	BY
-----	------	---------	----

JOB NO. : J-836
 PROJECT : PROPOSED SITE C1 DEVELOPMENT AT AREA B6, TKOTL 70 RP, TSEUNG KWAN O, NEW TERRITORIES

TITLE : SECTION DETAILS

DATE : 04-OCT-17 SCALE : 1:4
 DRAWN BY : MN CHECKED BY : DW

 **美特鋁質有限公司**
 MIDI ALUMINIUM FABRICATOR LTD.
 Units 6-8, Sunray Industrial Centre, 1/F
 610 Cho Kwo Ling Road, Kowloon
 Tel:23489211-4 Fax:(852)27727666

DWG NO. : J836-VMU-5005 REV. : -