

工程指示 / 要求簡箋(E.I.)

工程指示編號：EI/ 0815 /17 修改版次： A
 工程編號： J836 工程名稱： 日出康城 7期平台
 工程項目： Visual Mock Up 報價拆圖。
 收件人： 叶青 發件人： 李耀輝 日期： 2017/12/18

要求提供 / 確認 事項：

- () 初步鋁料 B.M. () 加工拆圖，然後生產 () 尺寸表
- () 正式鋁料 B.M. () 技術上資料 / 指示 () 報價
- () 配件 B.M. () 樣辦或貨品說明書 () 分判合約
- () 其他： _____

內容：

附上改動之 J836 日出康城平台 Visual Mock Up 施工圖，
 煩請安排報價並安排相關人員拆圖。

(CAD檔一同上傳至 FTP)

請在 2017/12/22 前完成上列要求。

附有關圖紙 / 文件：

Visual Mock Up Shop Drawing 1份

以上項目為：

- 原合約工程包 原合約工程加 / 減賬 新工程報價

原因：-

分發東莞各部門：

- () 生產技術總監 連附件 () 技術部 連附件 () 生產部 連附件 () 機械設計部 連附件
- () 採購部 連附件 () 生產統籌部 連附件
- () 質檢部 連附件 () 會計部 連附件 () 報關組 連附件 () 其他 _____ 連附件

分發香港各部門：

- () 行政部 連附件 () 會計部 連附件 () 統籌部 連附件 () 工程部地盤科文 連附件
- () 採購部 連附件 () QS 部 連附件 () 維修部 連附件 () 其他 _____ 連附件

傳遞編號：

HK3734 /17

發件人簽署：

項目經理簽署：

Mc/Barr / Site

2

PROJECT :

PROPOSED SITE C1
DEVELOPMENT AT AREA 86,
TKOTL 70 RP, TSEUNG KWAN O, N.T.

SHOP DRAWING For VISUAL MOCK-UP (VMU)

DATE: 15-Dec-2017

 美特鋁質有限公司
MIDI ALUMINIUM FABRICATOR LTD.
Units 6-8, Sunray Industrial Centre, 1/F
610 Cha Kwo Ling Road, Kowloon
Tel:23489211-4 Fax:(852)27727666

DWG NO. : J836-CP-0000	REV. : A
---------------------------	-------------

DRAWING SUBMISSION REGISTER

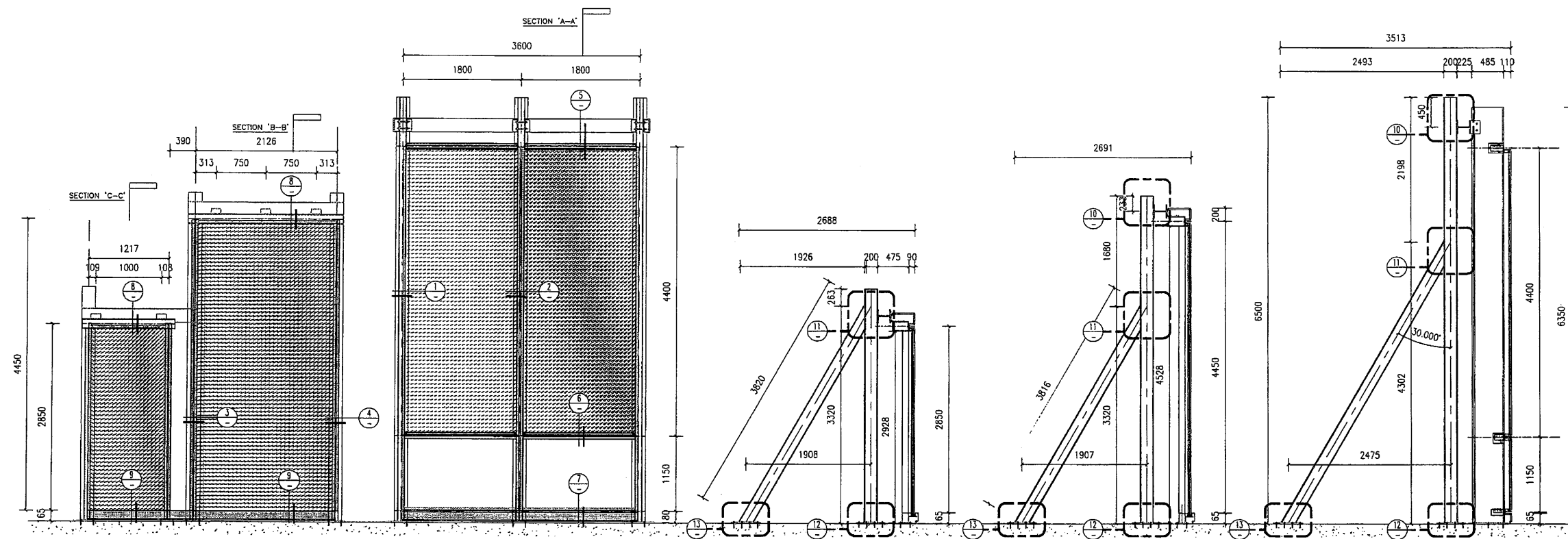
PROJECT: PROPOSED SITE C1 DEVELOPMENT AT AREA B6, TKOTL 70 RP, TSEUNG KWAN O, N.T. TITLE: SHOPDRAWING FOR SKYLIGHT AT 4/F AND PODIUM ROOF	DATE OF ISSUE					SUBMISSION STATE <small>(FOR B.D / A.S.D)</small>			SUBMISSION STATE <small>(FOR CLIENT / CONSULTANT)</small>			SUBMISSION STATE <small>(FOR ARCHITECT)</small>			FABRICATION / CONSTRUCTION STATE								
	ISSUE	01							AP - APPROVED			AP - APPROVED			AP - APPROVED			ISSUE TO <small>CHINA OFFICE</small>		ISSUE TO <small>SITE</small>		ISSUE TO <small>SUB-CONTRACTOR</small>	
	DAY	15						AC - APPROVED SUB. TO CONDITION			AC - APPROVED SUB. TO CONDITION			AC - APPROVED SUB. TO CONDITION									
	MONTH	12						NA - NOT APPROVED			NA - NOT APPROVED			NA - NOT APPROVED									
YEAR	17																						
DRAWING TITLE	DWG. NO.	REVISIONS					COMMENT DATE	REV.	STATE	COMMENT DATE	REV.	STATE	COMMENT DATE	REV.	STATE	REV.	DATE	REV.	DATE	REV.	DATE		
COVER PAGE	J836-CP-0000	-																					
DRAWING REGISTER	J836-DL-0001	-																					
ELVEATION & PART PLAN For VISUAL MOCK-UP GLASS WALL (WW1,WW2,WW3)	J836-VMU-2001	-																					
SECTION DETAILS	J836-DT-5001	-																					
SECTION DETAILS	J836-DT-5002	-																					
SECTION DETAILS	J836-DT-5003	-																					
SECTION DETAILS For STEEL MEMBER ONLY	J836-DT-5004	-																					
SECTION DETAILS	J836-DT-5005	-																					
TOTAL PAGES :							8																

TOTAL PAGES : (INCLUDING COVERPAGE AND DRAWING SUBMISSION REGISTER)

IN-HOUSE DESIGN CHECKER


美特鋁質有限公司
 MIDI ALUMINIUM FABRICATOR LTD.
 Units 6-8, Sunray Industrial Centre, 1/F
 610 Cha Kwo Ling Road, Kowloon
 Tel: 23489211-4 Fax: (852) 27727666

DWG NO. : J836-DL-0001 REV. : -

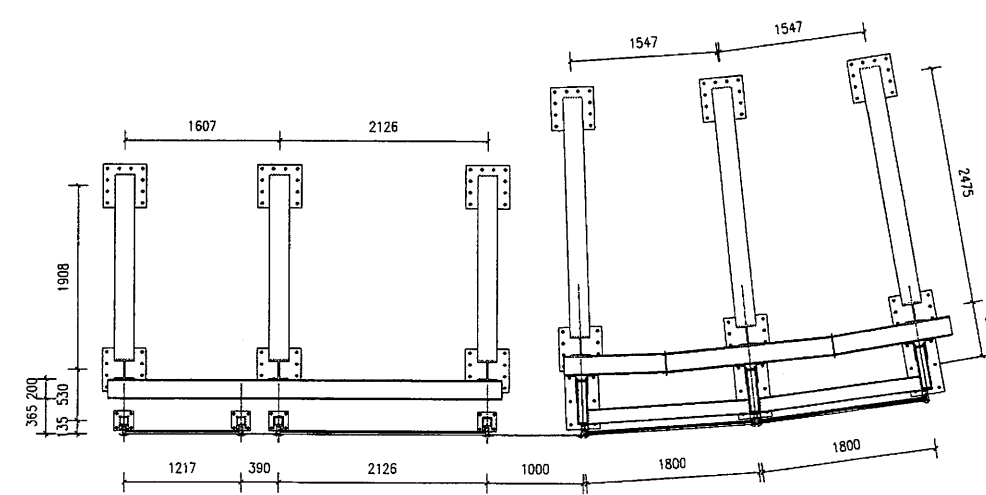


ELEVATION
For GLASS WALL (WW1, WW2, WW3)

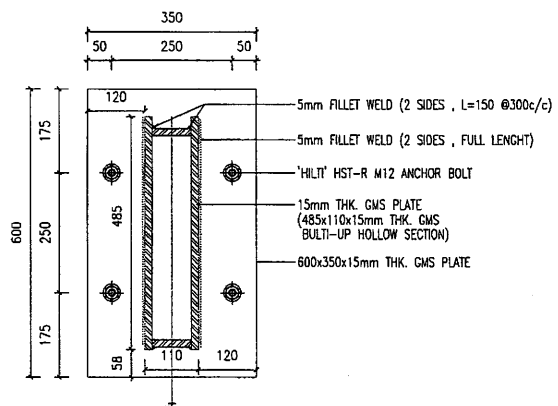
SECTION 'C-C'
GLASS WALL (WW3)

SECTION 'B-B'
GLASS WALL (WW1)

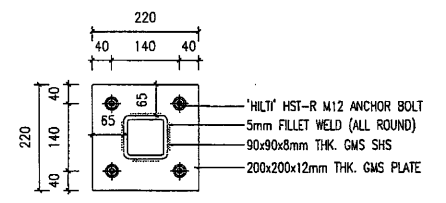
SECTION 'A-A'
GLASS WALL (WW2)



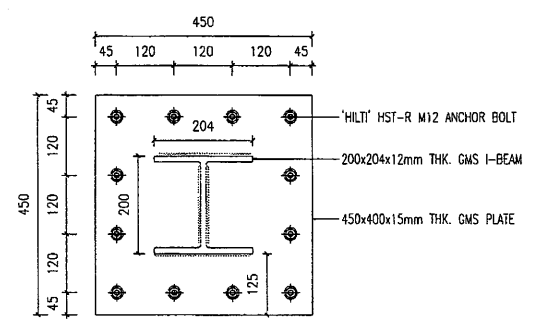
PLAN
For GLASS WALL (WW1, WW2, WW3)



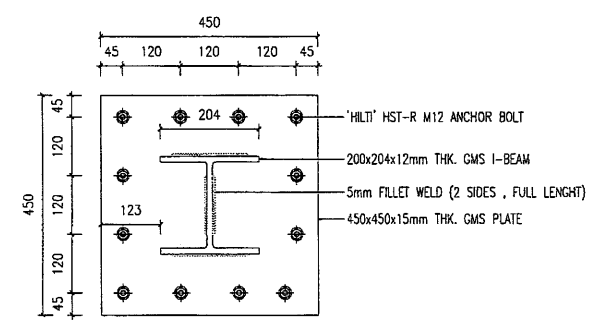
TYPICAL DETAIL For GMS PLATE
GLASS WALL (WW2)



TYPICAL DETAIL For GMS PLATE
For GLASS WALL (WW1, WW3)



TYPICAL DETAIL For GMS PLATE
For GLASS WALL (WW1, WW2, WW3)



TYPICAL DETAIL For GMS PLATE
For GLASS WALL (WW1, WW2, WW3)

B.D. REF :

CLIENT : **MTR**
VENTURE SMART LIMITED

ARCHITECT : **PAT Architects and Engineers Ltd**
巴丹拿建築及工程師有限公司
www.pat-ae.com

MAIN CONTRACTOR : **CHINA OVERSEAS BUILDING CONSTRUCTION LTD.**

STRUCTURAL ENGINEER : **ARUP**

FAÇADE CONSULTANT : **MEIN-HARDT**

REGISTERED STRUCTURAL ENGINEER

NOTE :

- ALL DIMENSIONS ARE IN mm.
- ALL ELEVATIONS ARE VIEWED FROM OUTSIDE.
- ALL DIMENSIONS TO BE VERIFIED ON SITE BEFORE FABRICATION.

LEGEND :

(X1) — DETAIL MARK NO.
(X001) — REFER SHEET NO.

- F.F.L. — FINISHED FLOOR LEVEL
- S.F.L. — STRUCTURAL FLOOR LEVEL
- (R) — REVERSED DETAIL

NO.	DATE	REVISED	BY

JOB NO. : J-836

PROJECT : PROPOSED SITE C1 DEVELOPMENT AT AREA 86, TKOTL 70 RP, TSEUNG KWAN O, NEW TERRITORIES

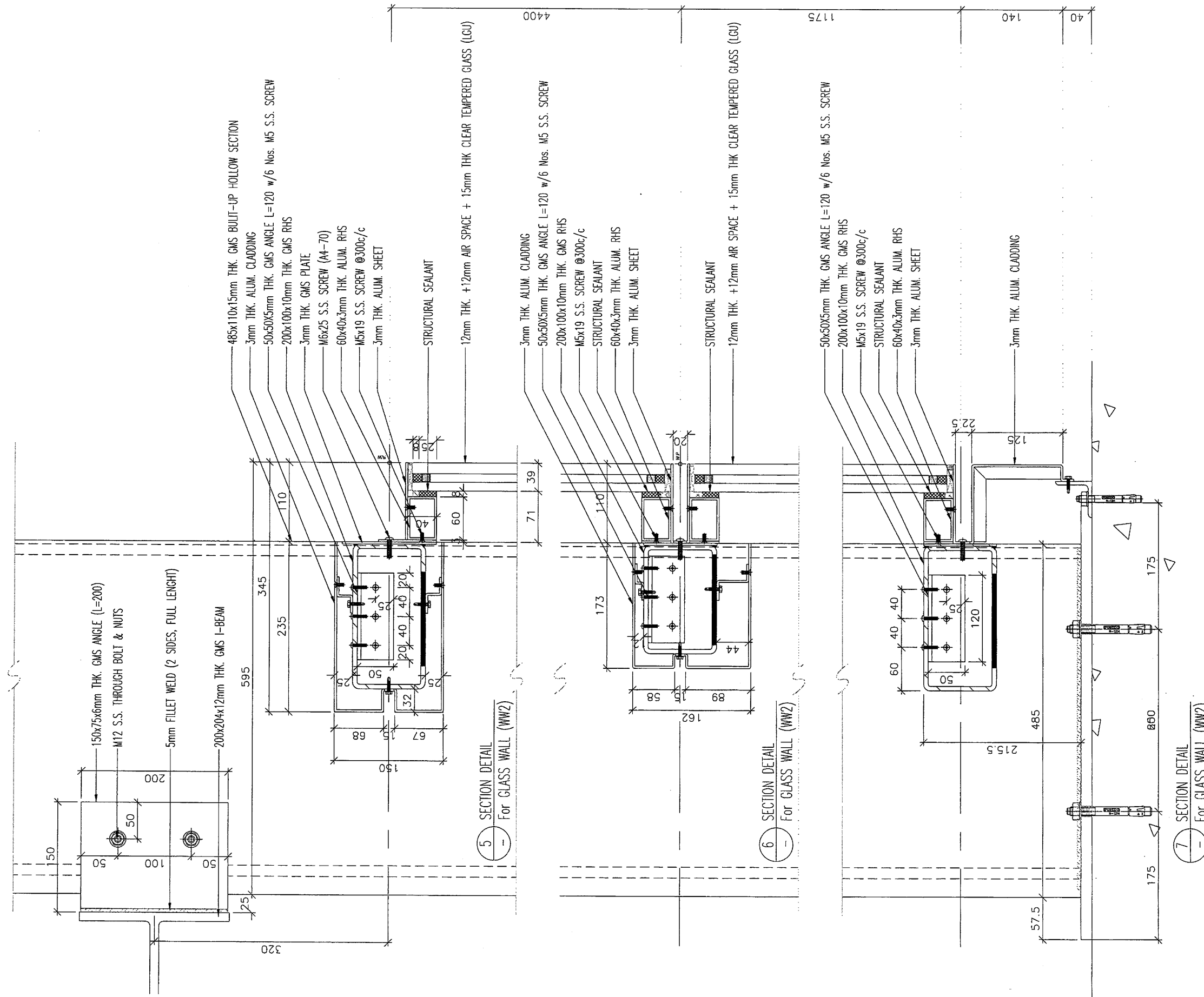
TITLE : ELEVATION & PART PLAN For VISUAL MOCK-UP GLASS WALL (WW1, WW2, WW3)

DATE : 04-OCT-17 SCALE : 1:4

DRAWN BY : MN CHECKED BY : DW

美特鋁質有限公司
MIDI ALUMINIUM FABRICATOR LTD.
Units 6-8, Sunray Industrial Centre, 1/F
610 Cho Kwo Ling Road, Kowloon
Tel: 23489211-4 Fax: (852) 2727666

DWG NO. : JB36-VMU-2001 REV. : -



B.D. REF :

CLIENT : **MTR**
VENTURE SMART LIMITED

ARCHITECT : **P&T Architects and Engineers Ltd**
巴利丹拿建築及工程有限公司

MAIN CONTRACTOR : **CHINA OVERSEAS BUILDING CONSTRUCTION LTD.**

STRUCTURAL ENGINEER : **ARUP**
KWAN KW KEI
CEng FIBS(Struct) MACE FHKR
REGISTERED STRUCTURAL ENGINEER

FACADE CONSULTANT : **MEIN-HARDT**

NOTE :

- ALL DIMENSIONS ARE IN mm.
- ALL ELEVATIONS ARE VIEWED FROM OUTSIDE.
- ALL DIMENSIONS TO BE VERIFIED ON SITE BEFORE FABRICATION.

LEGEND :

X1 - DETAIL MARK NO.
 X001 - REFER SHEET NO.

1. F.F.L. --- FINISHED FLOOR LEVEL
 2. S.F.L. --- STRUCTURAL FLOOR LEVEL
 3. Ⓡ --- REVERSED DETAIL

NO.	DATE	REVISED	BY

JOB NO. : J-836

PROJECT : PROPOSED SITE C1 DEVELOPMENT AT AREA 86, TKOTL 70 RP, TSEUNG KWAN O, NEW TERRITORIES

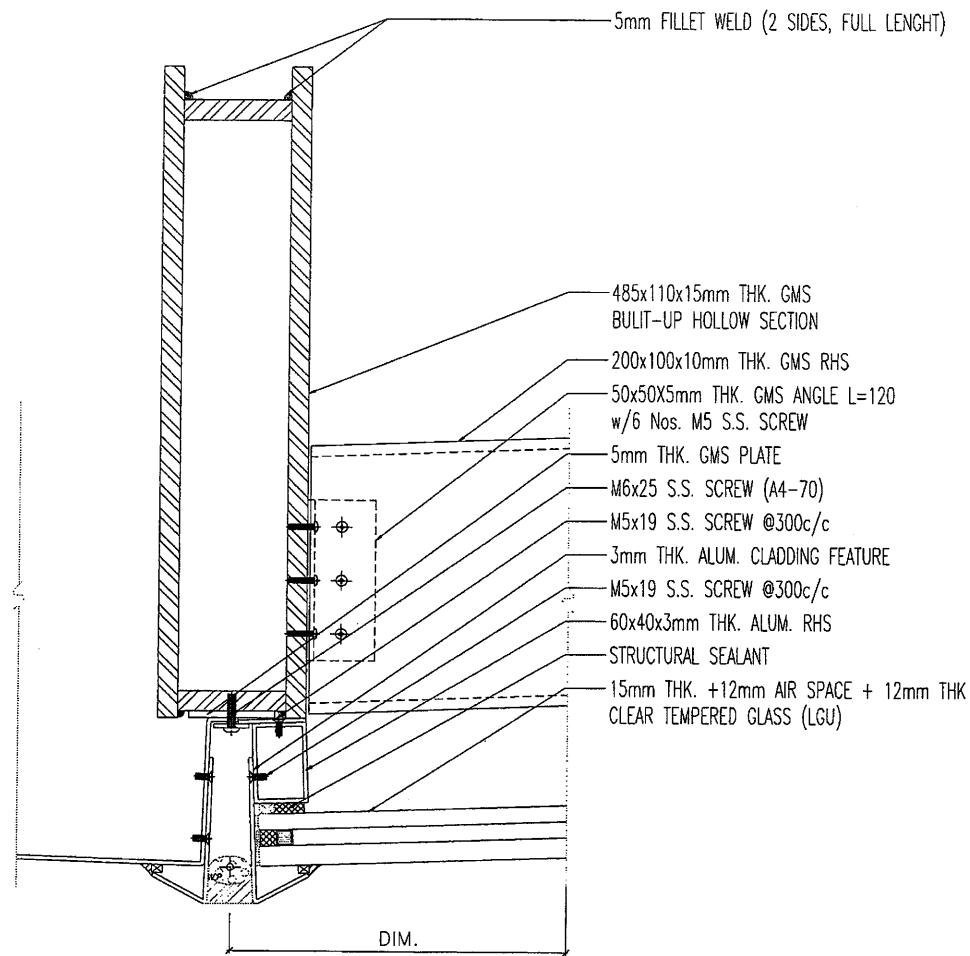
TITLE : SECTION DETAILS

DATE : 04-OCT-17 SCALE : 1:4

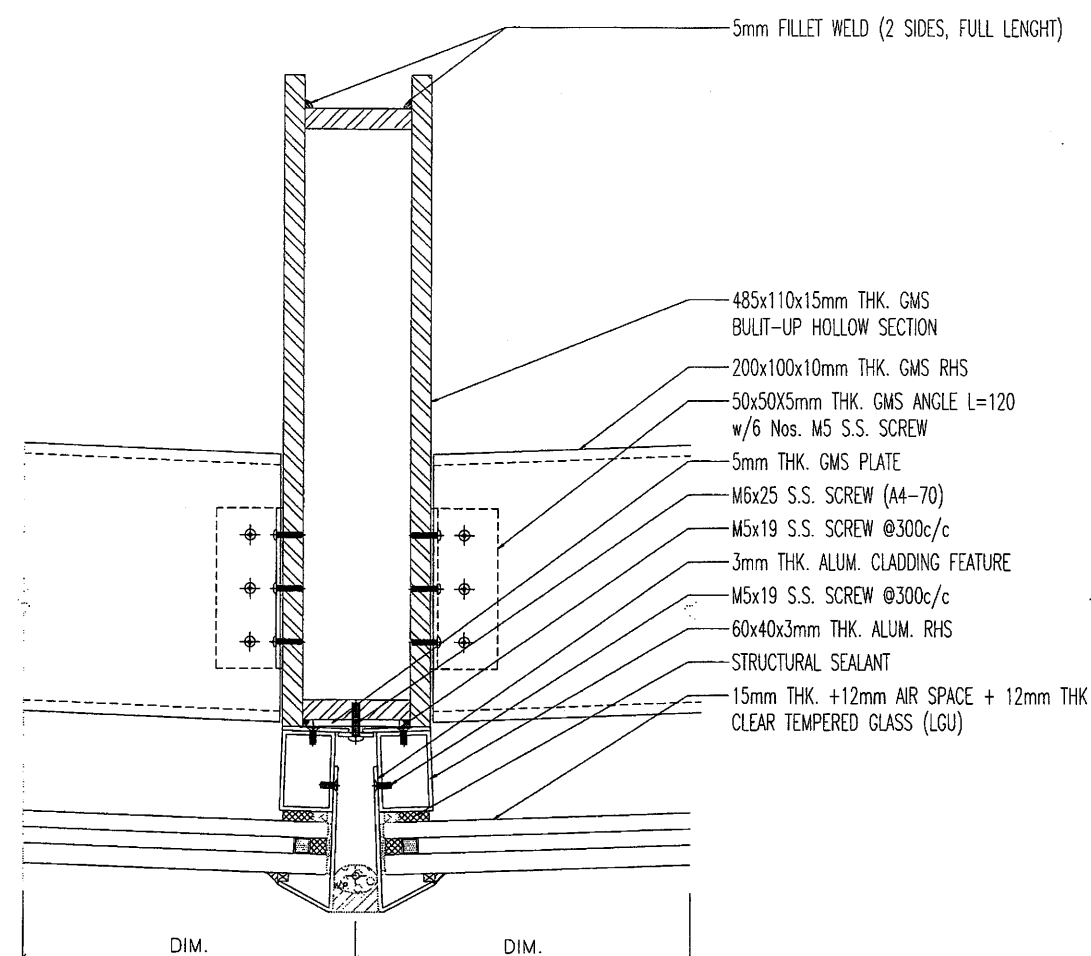
DRAWN BY : MN CHECKED BY : DW

美特鋁質有限公司
MIDI ALUMINIUM FABRICATOR LTD.
 Units 6-8, Sunray Industrial Centre, 1/F
 610 Cha Kwo Ling Road, Kowloon
 Tel:23489211-4 Fax:(852)2772666

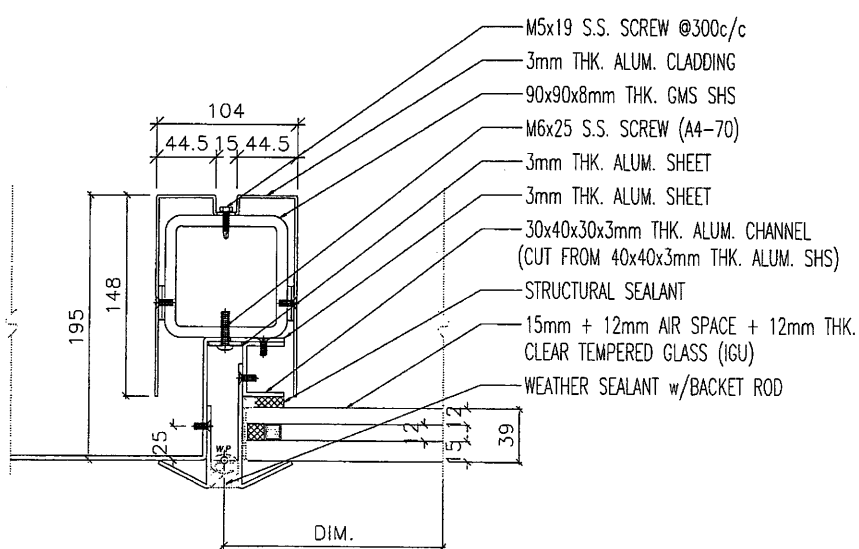
DWG NO. : JB36-VMU-5002 REV. : -



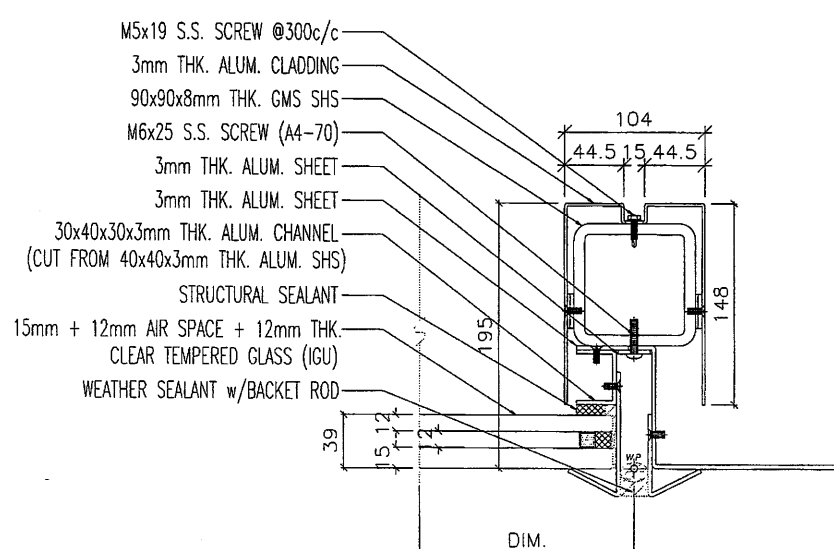
1 SECTION DETAIL
- For GLASS WALL (WW2)



1 SECTION DETAIL
- For GLASS WALL (WW2)



1 SECTION DETAIL
- For GLASS WALL (WW1, WW3)



1 SECTION DETAIL
- For GLASS WALL (WW1, WW3)

B.D. REF :

CLIENT : **MTR**
VENTURE SMART LIMITED

ARCHITECT : **P&T Architects and Engineers Ltd**
巴丹拿建築及工程師有限公司

MAIN CONTRACTOR : **CHINA OVERSEAS BUILDING CONSTRUCTION LTD.**

STRUCTURAL ENGINEER : **ARUP**

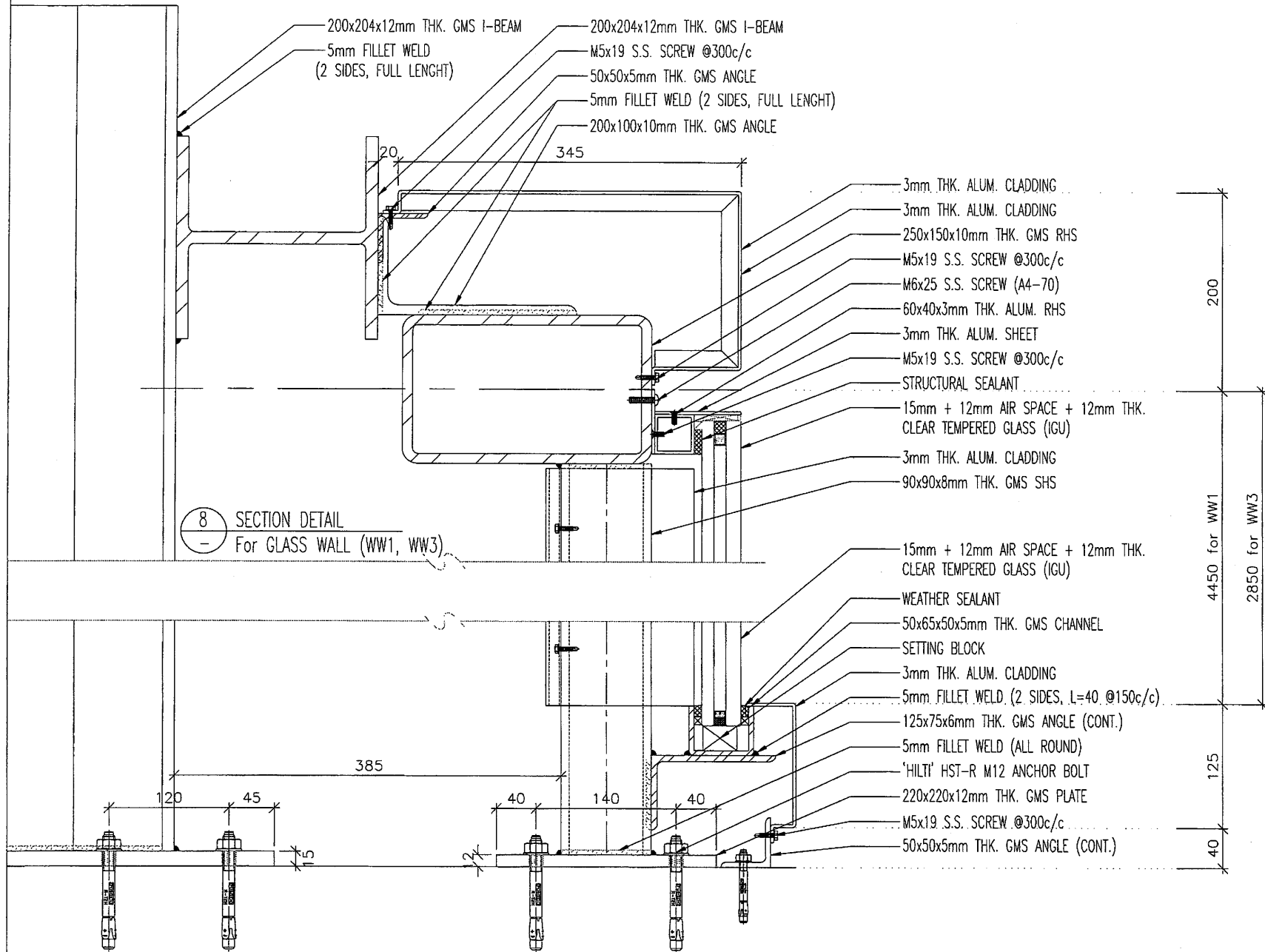
REGISTERED STRUCTURAL ENGINEER
XIMAN KIM YEE
CEng FRStructE MICE FHKIE
REGISTERED STRUCTURAL ENGINEER

FACADE CONSULTANT : **MEIN-HARDT**

NOTE :
1. ALL DIMENSIONS ARE IN mm.
2. ALL ELEVATIONS ARE VIEWED FROM OUTSIDE.
3. ALL DIMENSIONS TO BE VERIFIED ON SITE BEFORE FABRICATION.

LEGEND :
X1 - DETAIL MARK NO.
X001 - REFER SHEET NO.
1. F.F.L -- FINISHED FLOOR LEVEL
2. S.F.L -- STRUCTURAL FLOOR LEVEL
3. (R) -- REVERSED DETAIL

NO.	DATE	REVISED	BY
JOB NO. : J-836			
PROJECT : PROPOSED SITE C1 DEVELOPMENT AT AREA 86, TKOTL 70 RP, TSEUNG KWAN O, NEW TERRITORIES			
TITLE : SECTION DETAILS			
DATE : 04-OCT-17		SCALE : 1:4	
DRAWN BY : MN		CHECKED BY : DW	
美特鋁質有限公司 MIDI ALUMINIUM FABRICATOR LTD. Units 6-8, Sunray Industrial Centre, 1/F 810 Cha Kwo Ling Road, Kowloon Tel: 23489211-4 Fax: (852) 27727656			
DWG NO. : J836-VMU-5001			REV. : -



8 SECTION DETAIL
For GLASS WALL (WW1, WW3)

9 SECTION DETAIL
For GLASS WALL (WW1, WW3)

B.D. REF :

CLIENT :
MTR
VENTURE SMART LIMITED

ARCHITECT :
PAT Architects and Engineers Ltd
巴丹丹建築及工程師有限公司
www.pat-ae.com

MAIN CONTRACTOR :
CHINA OVERSEAS BUILDING CONSTRUCTION LTD.

STRUCTURAL ENGINEER :
ARUP
KHAN KIN KID
CHINA OVERSEAS WISE ENGINEERING
REGISTERED STRUCTURAL ENGINEER

FACADE CONSULTANT:
MEINHARDT

NOTE :
1. ALL DIMENSIONS ARE IN mm.
2. ALL ELEVATIONS ARE VIEWED FROM OUTSIDE.
3. ALL DIMENSIONS TO BE VERIFIED ON SITE BEFORE FABRICATION.

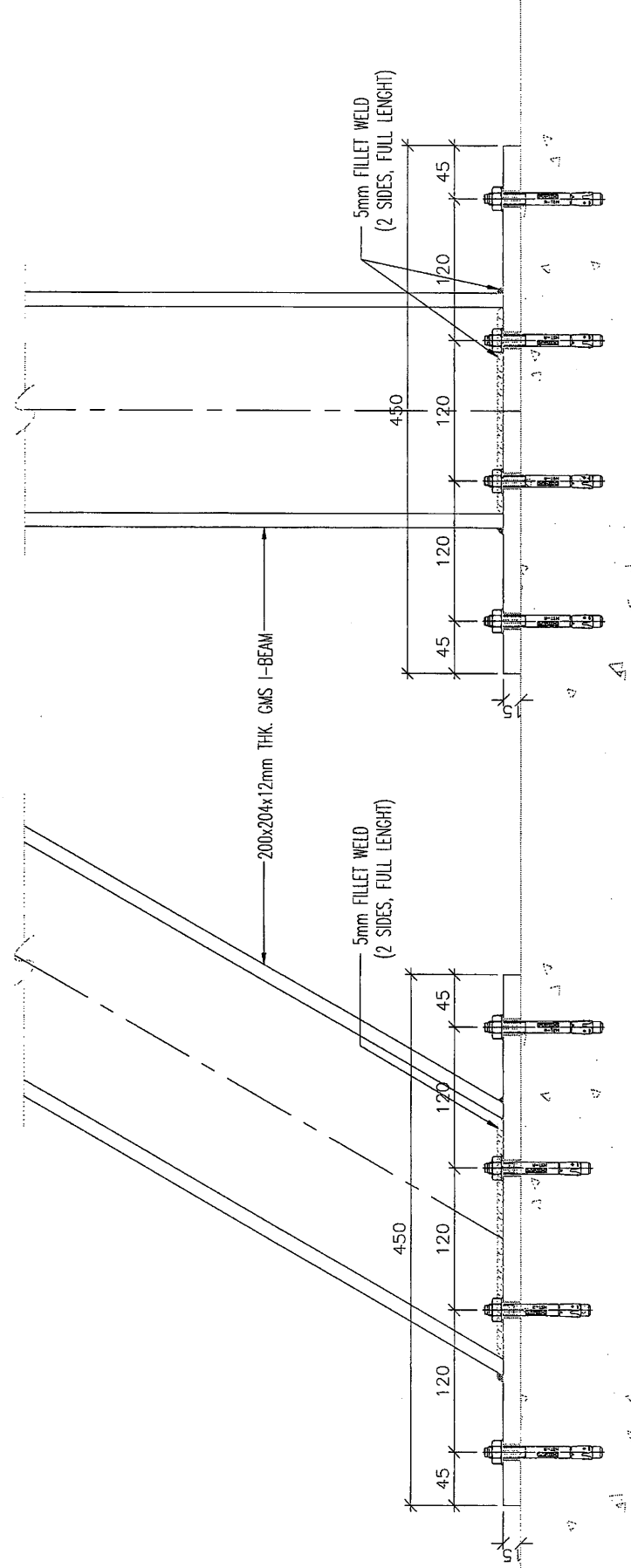
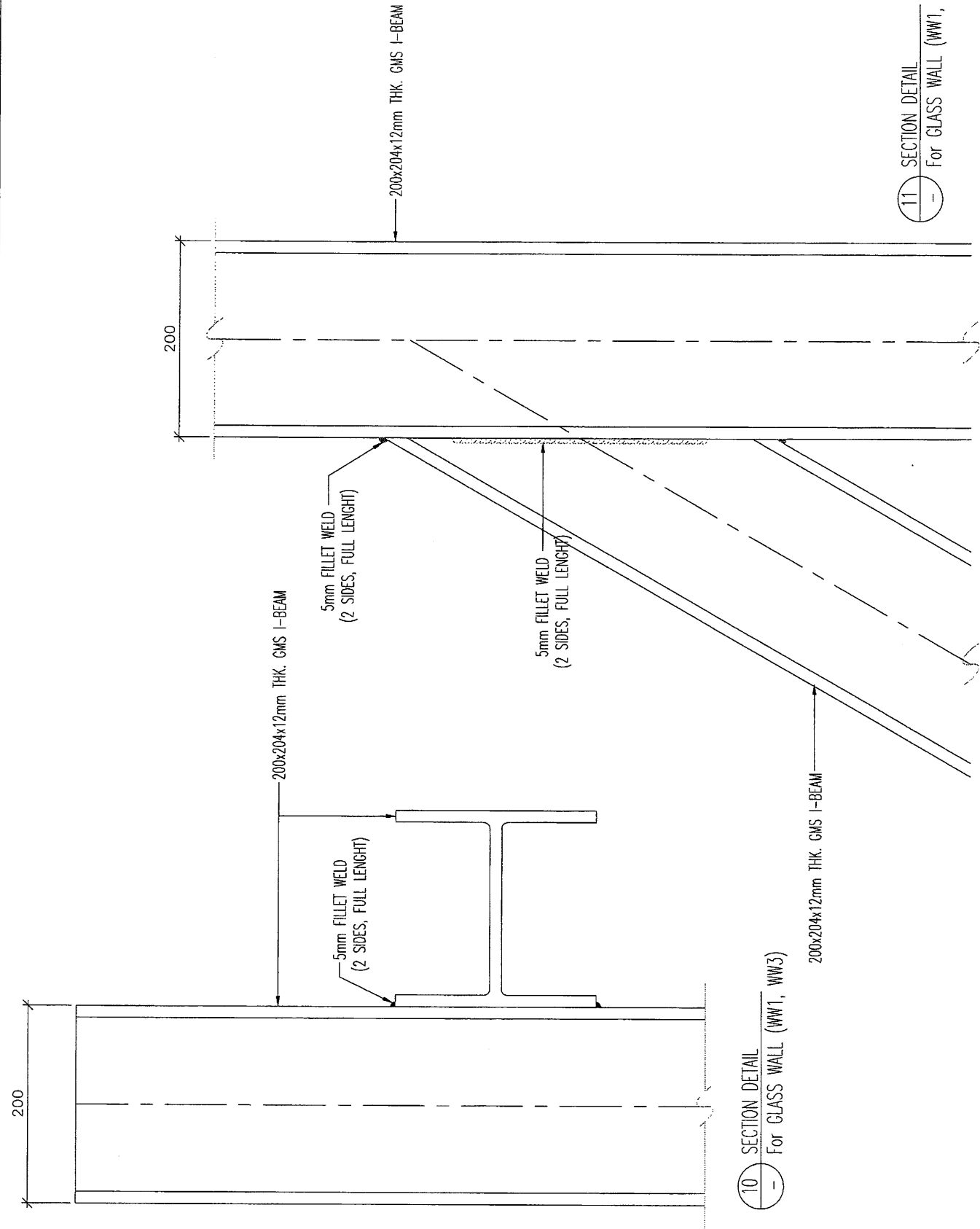
LEGEND :
X1 --- DETAIL MARK NO.
X001 --- REFER SHEET NO.
1. F.F.L. --- FINISHED FLOOR LEVEL
2. S.F.L. --- STRUCTURAL FLOOR LEVEL
3. (Z) --- REVERSED DETAIL

NO.	DATE	REVISED	BY
-----	------	---------	----

JOB NO. : J-836
PROJECT : PROPOSED SITE C1 DEVELOPMENT AT AREA 86, TKOTL 70 RP, TSEUNG KWAN O, NEW TERRITORIES
TITLE : SECTION DETAILS

DATE : 04-OCT-17 SCALE : 1:4
DRAWN BY : MN CHECKED BY : DW

美特鋁質有限公司
MIDI ALUMINIUM FABRICATOR LTD.
Units 6-8, Sunray Industrial Centre, 1/F
810 Cha Kwo Ling Road, Kowloon
Tel:23489211-4 Fax:(852)2727666
DWG NO. : J836-VMU-5003 REV. : -



B.D. REF :

CLIENT : **MTR**
VENTURE SMART LIMITED

ARCHITECT : **P&T Architects and Engineers Ltd**
巴丹拿建築及工程師有限公司

MAIN CONTRACTOR : **CHINA OVERSEAS BUILDING CONSTRUCTION LTD.**

STRUCTURAL ENGINEER : **ARUP**

KWAN KIN KEI
C.Eng. P.Eng. M.Eng. F.Eng.
REGISTERED STRUCTURAL ENGINEER
FACADE CONSULTANT:
MEINHARDT

NOTE :
1. ALL DIMENSIONS ARE IN mm.
2. ALL ELEVATIONS ARE VIEWED FROM OUTSIDE.
3. ALL DIMENSIONS TO BE VERIFIED ON SITE BEFORE FABRICATION.

LEGEND :
X1 -- DETAIL MARK NO.
X001 -- REFER SHEET NO.
1. F.F.L. -- FINISHED FLOOR LEVEL
2. S.F.L. -- STRUCTURAL FLOOR LEVEL
3. (R) -- REVERSED DETAIL

NO.	DATE	REVISED	BY

JOB NO. : J-836

PROJECT : PROPOSED SITE C1
DEVELOPMENT AT AREA 86,
TKOTL 70 RP, TSEUNG KWAN O,
NEW TERRITORIES

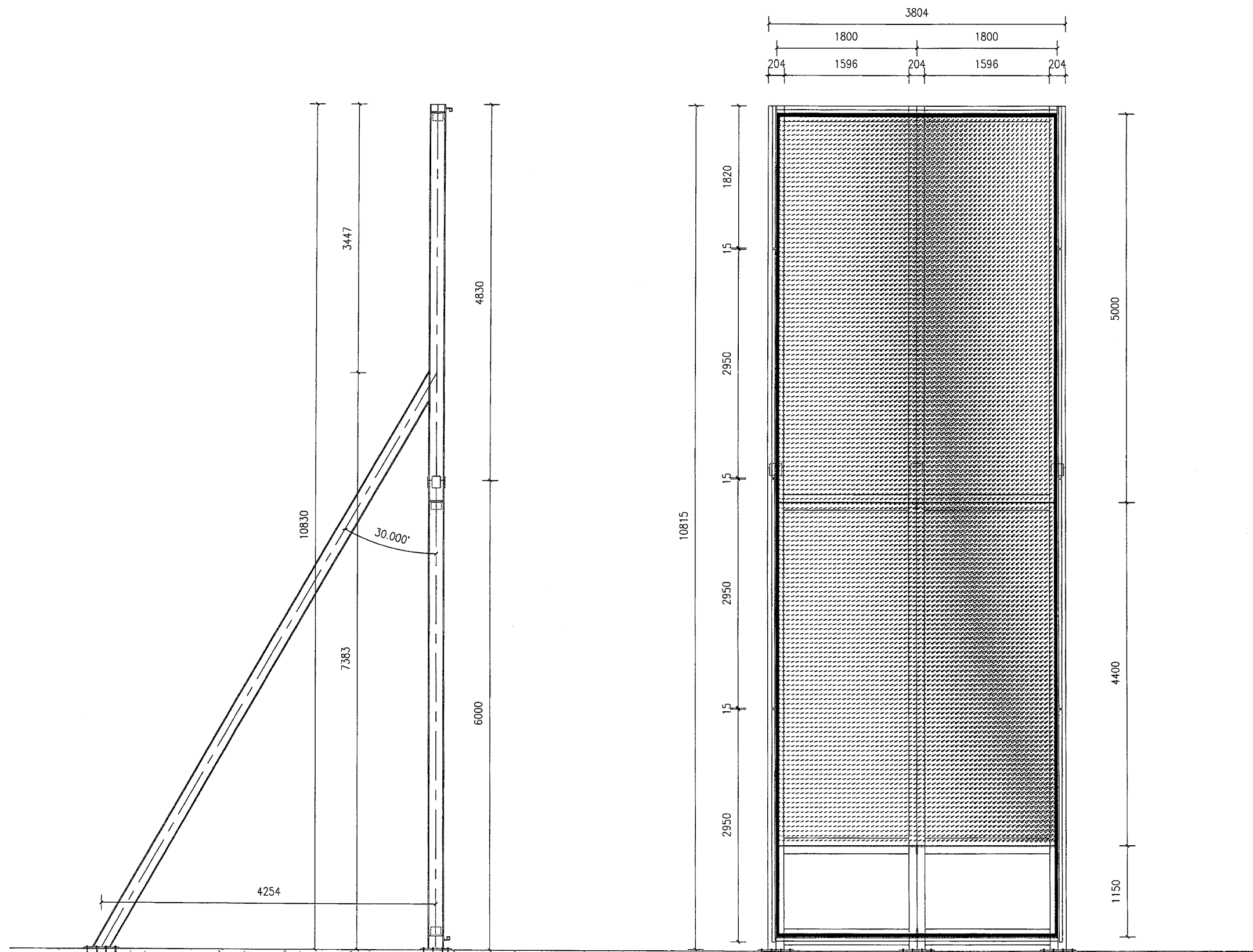
TITLE :
ELEVATION FOR
SECTION DETAILS
For STEEL MEMBER ONLY

DATE : 04-OCT-17 SCALE : 1:4

DRAWN BY : MN CHECKED BY : DW

美特鋁質有限公司
MIDI ALUMINIUM FABRICATOR LTD.
Units 6-8, Sunray Industrial Centre, 1/F
610 Che Kwo Ling Road, Kowloon
Tel: 23489211-4 Fax: (852) 2727666

DWG NO. : JB36-VMU-5004 REV. : -




B.D. REF :

CLIENT :

 VENTURE SMART LIMITED

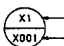
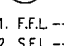
ARCHITECT :
 PAT Architects and Engineers Ltd
 巴爾丹拿建築及工程師有限公司
 www.pat-engineers.com

MAIN CONTRACTOR :
 CHINA OVERSEAS BUILDING
 CONSTRUCTION LTD.

STRUCTURAL ENGINEER :
ARUP
 KWAN KIN KEI
 25th FLOOR, MISC FLOOR
 REGISTERED STRUCTURAL ENGINEER

FACADE CONSULTANT:
MEIN-HARDT

NOTE :
 1. ALL DIMENSIONS ARE IN mm.
 2. ALL ELEVATIONS ARE VIEWED FROM OUTSIDE.
 3. ALL DIMENSIONS TO BE VERIFIED ON SITE BEFORE FABRICATION.

LEGEND :
 -- DETAIL MARK NO.
 -- REFER SHEET NO.

1. F.F.L. -- FINISHED FLOOR LEVEL
 2. S.F.L. -- STRUCTURAL FLOOR LEVEL
 3. (R) -- REVERSED DETAIL

NO.	DATE	REVISED	BY

JOB NO. : J-836

PROJECT :
 PROPOSED SITE C1
 DEVELOPMENT AT AREA 86,
 TKOTL 70 RP, TSEUNG KWAN O,
 NEW TERRITORIES

TITLE :
 SECTION DETAILS

DATE : 04-OCT-17 SCALE : 1:4

DRAWN BY : MN CHECKED BY : DW

 美特鋁質有限公司
 MIDI ALUMINIUM FABRICATOR LTD.
 Units 6-8, Sunray Industrial Centre, 1/F
 610 Cha Kwo Ling Road, Kowloon
 Tel: 23489211-4 Fax: (852) 27727666

DWG NO. : J836-VMU-5005 REV. : -