

工程指示 / 要求簡箋(E.I.)

工程指示編號：EI/ 0382/19 修改版次：
 工程編號：J836 工程名稱：日出康城7期(平台)
 工程項目：WW4(A-N) 3/F 新增角碼
 收件人：Maggie Lor 發件人：Joe Chan 日期：29/3/2019

要求提供 / 確認 事項：

- | | | |
|------------------------------------|-------------------------------------|-------------------------------|
| <input type="checkbox"/> 初步鋁料 B.M. | <input type="checkbox"/> 加工拆圖，然後生產 | <input type="checkbox"/> 尺寸表 |
| <input type="checkbox"/> 正式鋁料 B.M. | <input type="checkbox"/> 技術上資料 / 指示 | <input type="checkbox"/> 報價 |
| <input type="checkbox"/> 配件 B.M. | <input type="checkbox"/> 樣辦或貨品說明書 | <input type="checkbox"/> 分判合約 |
| <input type="checkbox"/> 其他：_____ | | |

內容：請依附件資料，生產 G.M.S. 角碼。
送地盤。

請在 5/4/2019 前完成上列要求。

附有關圖紙 / 文件：

3 頁

以上項目為：

- 原合約工程包 原合約工程加 / 減賬 新工程報價

原因：-

分發東莞各部門：

- 生產技術總監 連附件 技術部 連附件 生產部 連附件 機械設計部 連附件
 採購部 連附件 生產統籌部 連附件
 質檢部 連附件 會計部 連附件 報關組 連附件 其他 _____ 連附件

分發香港各部門：

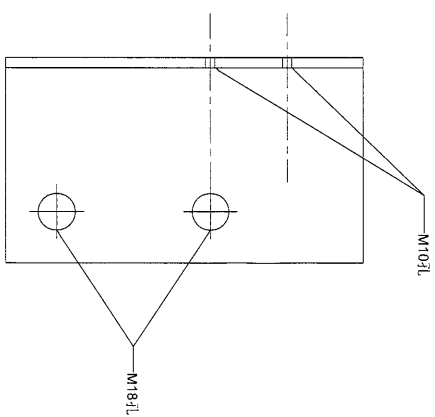
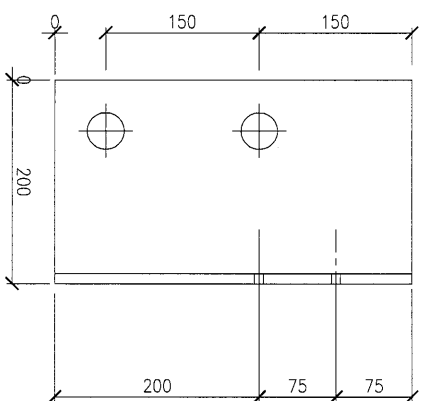
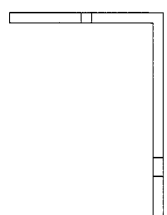
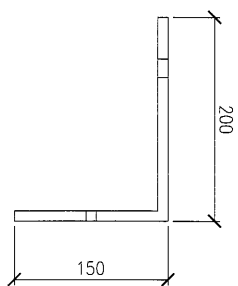
- 行政部 連附件 會計部 連附件 統籌部 連附件 工程部地盤科文 連附件 積哥
 採購部 連附件 QS 部 連附件 維修部 連附件 其他 _____ 連附件

傳遞編號：

發件人簽署：

項目經理簽署：

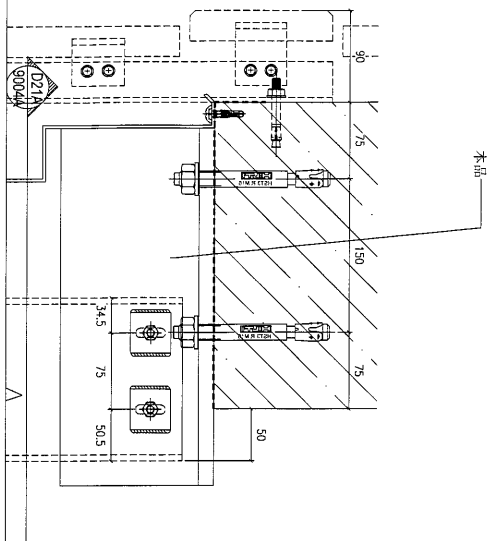
150X200X10mm GMS 鐵角



9件左

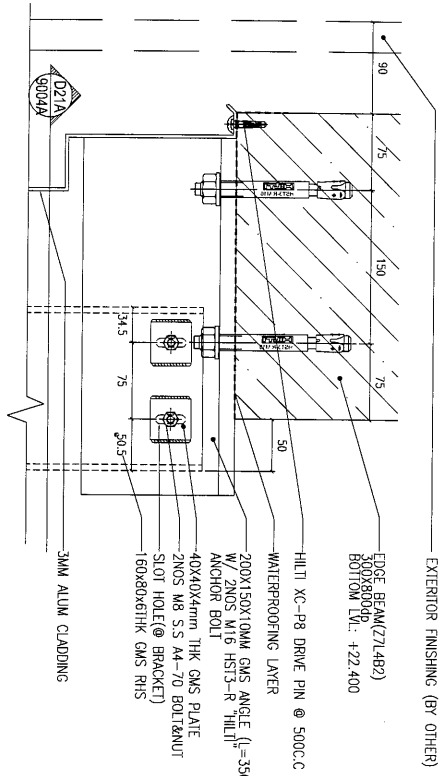
9件右

共18件

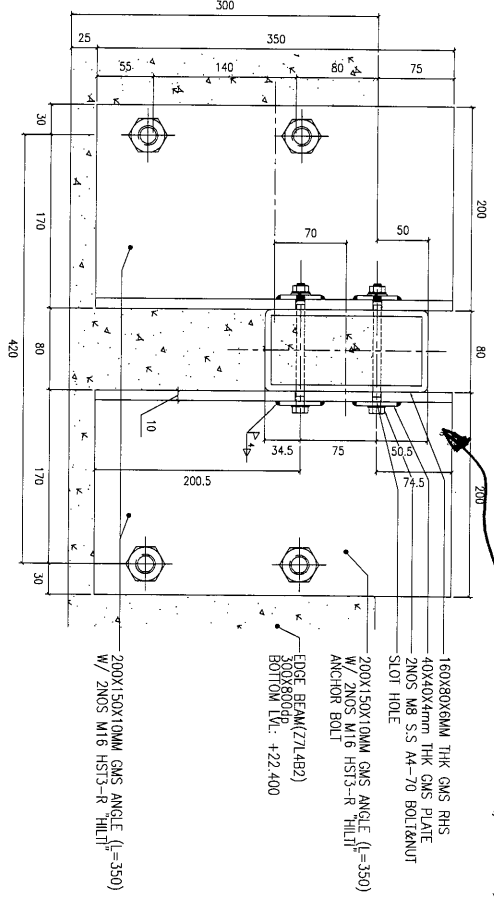


①

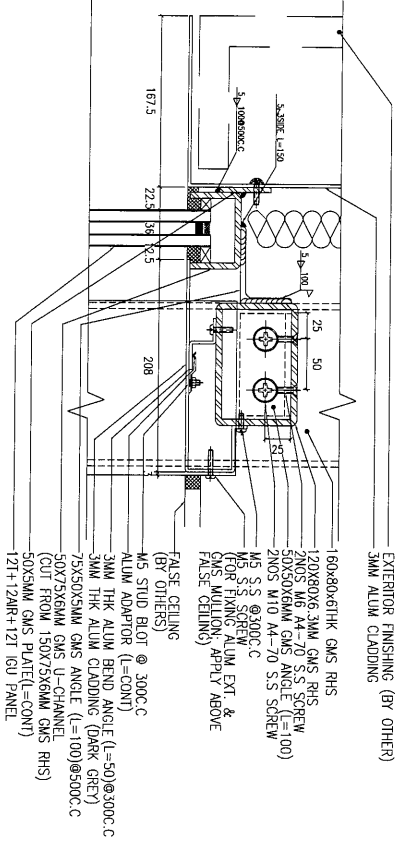
2



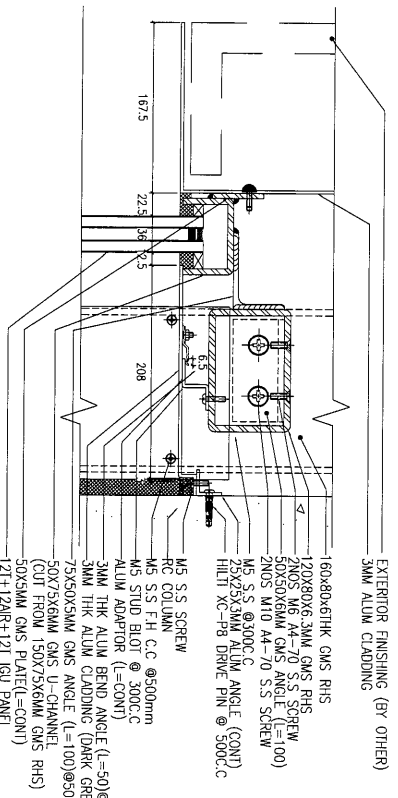
D21A WINDOW-WALL (WW4) TYPICAL DETAIL
90044



D21A WINDOW-WALL (WW4) TYPICAL DETAIL
90044



D21B WINDOW-WALL (WW4) TYPICAL DETAIL
90044



D21C WINDOW-WALL (WW4) TYPICAL DETAIL
90044

Handwritten signature and initials.

B.O. REF :

NOT PLAN



CLIENT :

ARCHITECT :

MAIN CONTRACTOR :

CHINA OVERSEAS BUILDING CONSTRUCTION LTD.

STRUCTURAL ENGINEER :

ARUP

FAÇADE CONSULTANT :

MEYHARDT

NOTE :

- ALL DIMENSIONS ARE IN mm.
- ALL ELEVATIONS ARE VIEWED FROM OUTSIDE.
- ALL DIMENSIONS TO BE VERIFIED ON SITE BEFORE FABRICATION.

LEGEND :

XT - DETAIL MARK NO.

REF - REFER SHEET NO.

- F.F.L. - FINISHED FLOOR LEVEL.
- S.F.L. - STRUCTURAL FLOOR LEVEL.
- ↔ - REVERSED DETAIL.

NO.	DATE	DESCRIPTION
01	22-Nov-2018	100% SUBMISSION (GND A TO N)
02	24-Dec-2018	90% SUBMISSION (GND A TO N)
03	19-Jan-2019	80% SUBMISSION (GND A TO N)
04	21-Feb-2019	70% SUBMISSION (GND A TO N)
05	11-Mar-2019	40% SUBMISSION (GND A TO N)
06	04-Apr-2019	30% SUBMISSION
07	07-Dec-2017	20% SUBMISSION
08	27-Sep-2017	15% SUBMISSION
09	08-Sep-2016	10% SUBMISSION

PROJECT :

PROPOSED SITE C1 DEVELOPMENT AT AREA B6, TAOI 70 RP, TSEUNG KWAN O, NEW TERRITORIES

JOB NO. : J-836

TITLE :

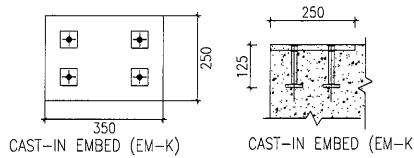
FOR WINDOW-WALL (WW4)

DATE : 03-NOV-2018 SCALE : 1:5

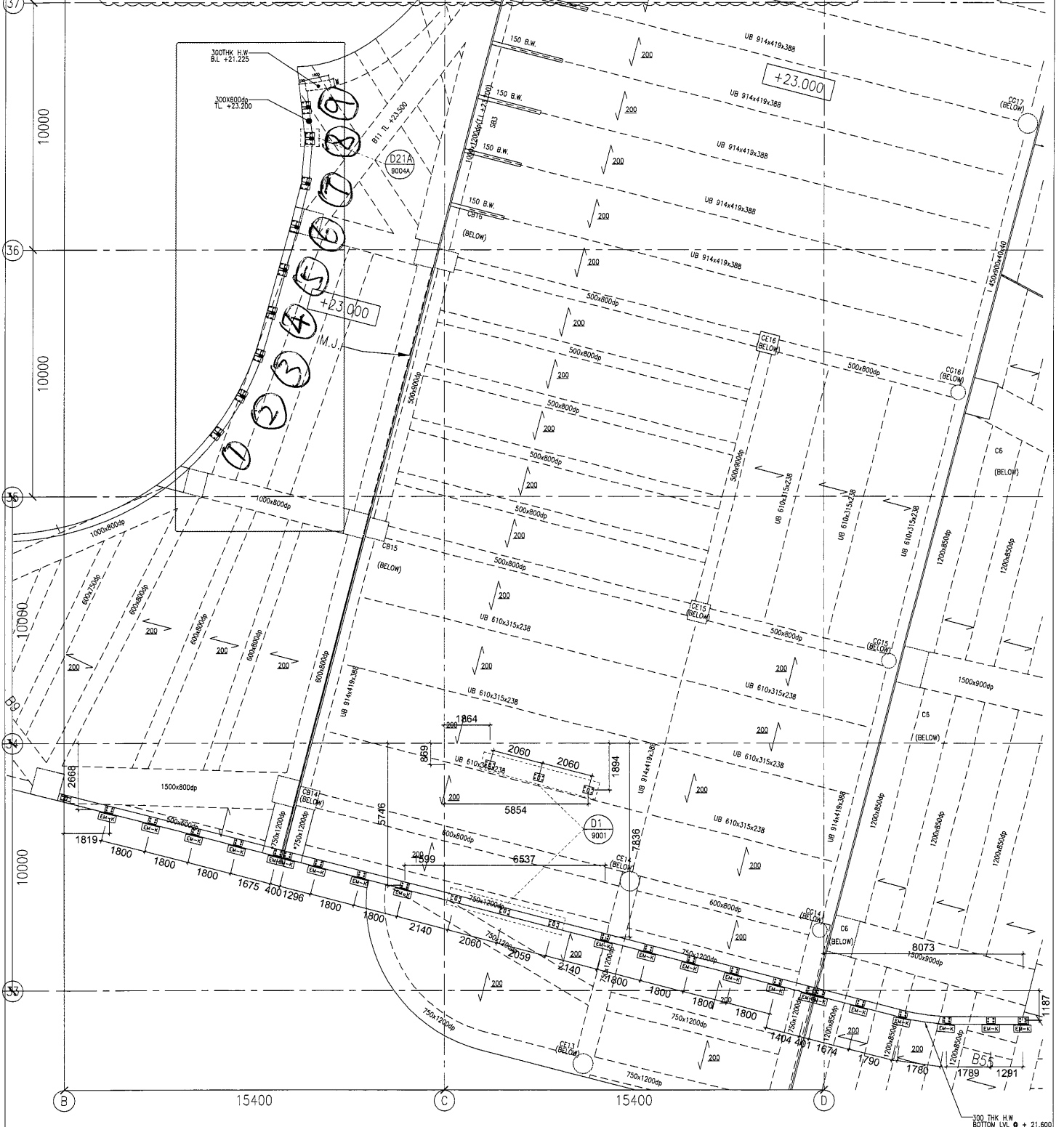
DRAWN BY : C.F. CHECKED BY : M.K.

美特銘實有限公司
MTR
CHINA OVERSEAS BUILDING CONSTRUCTION LTD.
ARUP
MEYHARDT

3



CAST-IN EMBED (EM-K) DETAIL REFER TO DRAWING J836-WW4NL-8001
 CAST-IN EMBED (EM-C) (BY OTHER) DETAIL REFER TO DRAWING J836-WW4NL-8002
 CAST-IN EMBED (EM-A) (BY OTHER) DETAIL REFER TO DRAWING J836-WW4NL-8003



ELO4 3007 CAST-IN EMBED LAYOUT PLAN OF WINDOW-WALL (WW4)
 @4/F FRAMING BELOW (TOP EMBED)

	CLIENT: MTR		FACADE CONSULTANT: ARUP	MAIN CONTRACTOR: CHINA OVERSEAS BUILDING CONSTRUCTION LTD.	ARCHITECT:	STRUCTURAL ENGINEER:	DATE: 03-MAY-2018 SCALE: 1:150
							DRAWN BY: C.F. CHECKED BY: M.M.K.
PROJECT: PROPOSED SITE C1 DEVELOPMENT AT AREA 86, TAOLO NEW TERRITORIES, NEW TERRITORIES							
TITLE: PART PLAN FOR WINDOW-WALL (WW4) @ 3/F							
JOB NO.: J-836							
REVISIONS:							
NO.	DATE	BY	REASON	1. P.F.L. - FINISHED FLOOR LEVEL 2. S.F.L. - STRUCTURAL FLOOR LEVEL 3. (R) - REVERSED DETAIL			
1	22-NOV-2018	YIM SHAMSIK (CSB A TO M)	YIM SHAMSIK (CSB A TO M)	1. ALL DIMENSIONS ARE IN MM.			
2	24-OCT-2018	YIM SHAMSIK (CSB A TO M)	YIM SHAMSIK (CSB A TO M)	2. ALL ELEVATIONS ARE VERNED FROM OUTSIDE.			
3	15-SEP-2018	YIM SHAMSIK (CSB A TO M)	YIM SHAMSIK (CSB A TO M)	3. ALL DIMENSIONS ARE VERNED ON SITE BEFORE FABRICATION.			
4	31-JUN-2018	YIM SHAMSIK (CSB A TO M)	YIM SHAMSIK (CSB A TO M)	4. ALL DIMENSIONS TO BE VERNED ON SITE BEFORE FABRICATION.			
5	11-JUN-2018	YIM SHAMSIK (CSB A TO M)	YIM SHAMSIK (CSB A TO M)	5. ALL DIMENSIONS TO BE VERNED ON SITE BEFORE FABRICATION.			
6	25-APR-2018	YIM SHAMSIK (CSB A TO M)	YIM SHAMSIK (CSB A TO M)	6. ALL DIMENSIONS TO BE VERNED ON SITE BEFORE FABRICATION.			
7	07-DEC-2017	YIM SHAMSIK (CSB A TO M)	YIM SHAMSIK (CSB A TO M)	7. 07-DEC-2017 2ND SUBMISSION			
8	27-SEP-2017	YIM SHAMSIK (CSB A TO M)	YIM SHAMSIK (CSB A TO M)	8. 27-SEP-2017 1ST SUBMISSION			
9	07-SEP-2017	YIM SHAMSIK (CSB A TO M)	YIM SHAMSIK (CSB A TO M)	9. 07-SEP-2017 1ST SUBMISSION			