



工程指示 / 要求簡箋(E.I.)

工程指示編號：EI/ 0180 /19 修改版次：  
 工程編號：J836 工程名稱：日出康城7期(平台)  
 工程項目：J836 各項目門鎖  
 收件人：Maggie Lor / 林哥 發件人：Joe Chan 日期：1/2/2019

要求提供 /  確認 事項：

- |                                    |                                     |                               |
|------------------------------------|-------------------------------------|-------------------------------|
| <input type="checkbox"/> 初步鋁料 B.M. | <input type="checkbox"/> 加工拆圖，然後生產  | <input type="checkbox"/> 尺寸表  |
| <input type="checkbox"/> 正式鋁料 B.M. | <input type="checkbox"/> 技術上資料 / 指示 | <input type="checkbox"/> 報價   |
| <input type="checkbox"/> 配件 B.M.   | <input type="checkbox"/> 樣辦或貨品說明書   | <input type="checkbox"/> 分判合約 |
| <input type="checkbox"/> 其他：_____  |                                     |                               |

內容：請依附件資料，訂購GCC門鎖 98套+3套  
 備用共101套。(鎖匙+鎖盒)

- Master Key System

- 送貨到廠，其中1套送回公司。

請在 30/4/2019 前完成上列要求。

附有關圖紙 / 文件：

②頁

以上項目為：

- 原合約工程包  原合約工程加 / 減賬  新工程報價

原因：-



分發東莞各部門：

- ( ) 生產技術總監  連附件 ( ) 技術部  連附件 ( ) 生產部  連附件 ( ) 機械設計部  連附件  
 ( ) 採購部  連附件 ( ) 生產統籌部  連附件 梅、軍  
 ( ) 質檢部  連附件 ( ) 會計部  連附件 ( ) 報關組  連附件 ( ) 其他 \_\_\_\_\_  連附件

分發香港各部門：

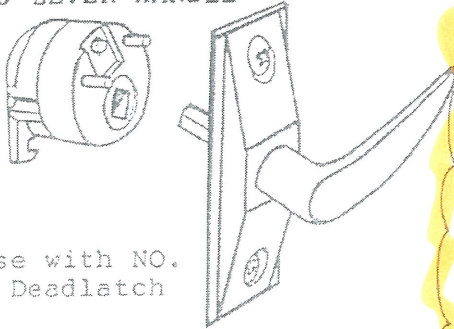
- ( ) 行政部  連附件 ( ) 會計部  連附件 ( ) 統籌部  連附件 ( ) 工程部地盤科文  連附件  
 ( ) 採購部  連附件 ( ) QS 部  連附件 ( ) 維修部  連附件 ( ) 其他 \_\_\_\_\_  連附件

傳遞編號：HK0339/18

發件人簽署：  
 項目經理簽署：

# GCC<sup>®</sup> Door Hardware

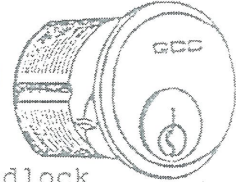
## LH-560 LEVER HANDLE



- \*For use with NO. 55129 Deadlatch Lock.
- \*Cam plug non-handed reversible in the field.
- \*Finishes available:  
AL - Baked Satin Aluminum Paint  
DU - Baked Storefront Bronze Paint  
EK - Baked Black Paint

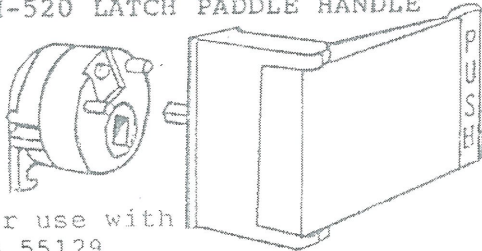
## MORTISE KEY CYLINDER

ZC-101 (ZINC)  
**→ BS-102 (SOLID BRASS)**



- \*1-5/32" 5 pin cylinder.
- \*For use with Deadlock or Deadlatch Lock. *Outdoor*
- \*Core face and Key US 26D.
- \*Cylinder ring 3/16" standard, 5/32" and 7/32" optional.
- \*Keyway available:  
Schlage "C", Yale "8".
- \*Finishes available:  
AL - Anodized Satin Aluminum  
DU - Anodized Bronze  
BK - Anodized Black  
PC - Polish Chrome (for BS-102 only)

## PH-520 LATCH PADDLE HANDLE

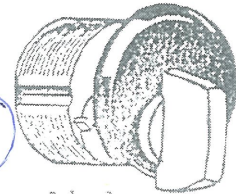


- \*For use with NO. 55129 Deadlatch Lock.
- \*Cam on cam plug is handed and can be reversed.
- \*Operation: PSL-Push To Left  
PSR-Push To Right  
PLL-Pull To Left  
PLR-Pull To Right
- \*Finish available:  
AL - Anodized Satin Aluminum  
DU - Anodized Bronze  
BK - Anodized Black

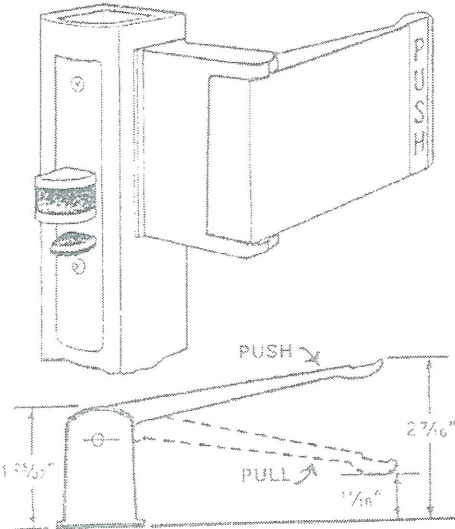
## MORTISE THUMBTURN CYLINDER

ZC-101T (ZINC)

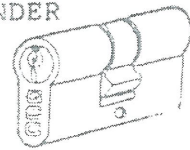
**→ BS-102T (SOLID BRASS)**



- \*1-5/32" mortise cylinder. *Indoor*
- \*For use with Deadlock or Deadlatch Lock.
- \*Thumbturn US 26D.
- \*Cylinder ring 3/16" standard, 5/32" and 7/32" optional.
- \*Finishes available:  
AL - Anodized Satin Aluminum  
DU - Anodized Bronze  
BK - Anodized Black  
PC - Polish Chrome  
(for BS-102T only)



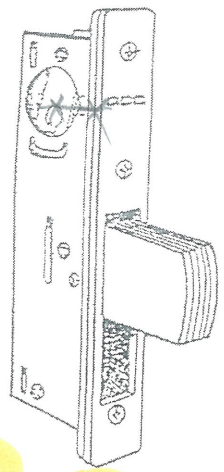
## 9125 DOUBLE ENDED EUROPROFILE MORTICE CYLINDER (CD-88)



- \*Length 2-15/32" (62mm) standard.
- \*For use with Patch Lock NO. GL-50, GL-34 or use with Deadlock NO. 55128L, 55128S, 55128H backset 1" (25mm) or 1-3/16" (30mm).
- \*Keyway available:  
Schlage "C" or Yale "8".
- \*Finish available:  
PC - Polish Chrome  
PB - Polish Brass  
SC - Satin Chrome

# GCC<sup>®</sup> Door Hardware

## 55128L DEADLOCK "LONG THROW"

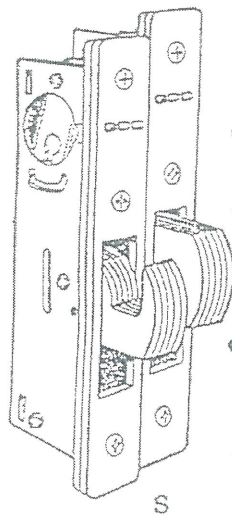


- Cylinder backset available: 31/32", 7/8", 1-1/8", and 1-1/2".
- Bolt 1-3/8" throw, made of 5 ply laminated steel with hardened roller pin in center to resist hacksaw attacks.
- Lock accepts standard 1-5/32" mortise key or thumbturn cylinders.
- 1" x 6-7/8" faceplates.

| Faceplate Type |  |
|----------------|--|
| 55128L/1       |  |
| 55128L/2       |  |
| 55128L/3       |  |
| 55128L/4       |  |
| 55128L/5       |  |

Faceplate finishes:  
**AL - Anodized Satin Aluminum**  
 DU - Anodized Bronze  
 BK - Anodized Black

## 55128S DEADLOCK "SHORT THROW" 55128H DEADLOCK "HOOK BOLT"

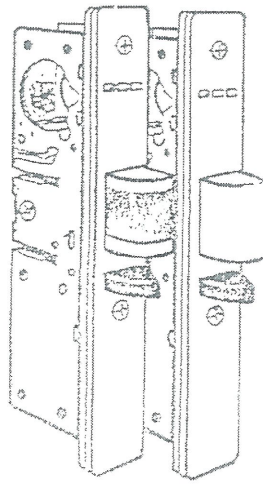


- Cylinder backset available: 31/32", 1-1/8", 7/8" and 1-1/2".
- Bolt 13/16" throw, made of 5 ply laminated steel with hardened roller pin in center to resist hacksaw attacks.
- Lock accepts standard 1-5/32" mortise key or thumbturn cylinders.
- 1" X 6-7/8" faceplates.

| Faceplate Type  |  |
|-----------------|--|
| 55128(S or H)/1 |  |
| 55128(S or H)/2 |  |
| 55128(S or H)/3 |  |
| 55128(S or H)/4 |  |
| 55128(S or H)/5 |  |

Faceplate finishes:  
 AL - Anodized Satin Aluminum  
 DU - Anodized Bronze  
 BK - Anodized Black

## 55129 DEADLATCH LOCK



- Cylinder backset 1-1/8".
- Field reversible for opposite hand.
- Key controlled dogging.
- Latchbolt 1/2" throw with Delrin insert for smooth, quiet latching(A) or w/o Delrin insert(B).
- Lock accepts standard 1-5/32" mortise key or thumbturn cylinders.
- Strike included, US 26D.
- 1" X 6-7/8" faceplates.

| Faceplate Type |  |
|----------------|--|
| 55129/1        |  |
| 55129/2        |  |
| 55129/3        |  |
| 55129/4        |  |
| 55129/5        |  |

Faceplate finishes:  
 AL - Anodized Satin Aluminum  
 DU - Anodized Bronze  
 BK - Anodized Black

(A) (B)