



工程指示 / 要求簡箋(E.I.)

工程指示編號：EI 7547 修改版次：
 工程編號：J835 工程名稱：TKO 66D 平
 工程項目：玻璃牆 — 玻璃 廠用玻璃供訂購
 收件人：林哥 發件人：Eddie 日期：2017.5.18

要求提供 / 確認 事項：

- | | | |
|--|-------------------------------------|-------------------------------|
| <input type="checkbox"/> 初步鋁料 B.M. | <input type="checkbox"/> 加工拆圖，然後生產 | <input type="checkbox"/> 尺寸表 |
| <input type="checkbox"/> 正式鋁料 B.M. | <input type="checkbox"/> 技術上資料 / 指示 | <input type="checkbox"/> 報價 |
| <input type="checkbox"/> 配件 B.M. | <input type="checkbox"/> 樣辦或貨品說明書 | <input type="checkbox"/> 分判合約 |
| <input checked="" type="checkbox"/> (x) 其他：_____ | | |

內容：給玻璃廠供材料訂購附件。
 總廠

請在 2017.5.25 前完成上列要求。

附有關圖紙 / 文件：

1+ 份

以上項目為：

- 原合約工程包 原合約工程加 / 減賬 新工程報價

原因：-

分發東莞各部門：

- () 生產技術總監 連附件 () 技術部 連附件 () 生產部 連附件 () 機械設計部 連附件
 () 採購部 連附件 () 生產統籌部 連附件
 () 質檢部 連附件 () 會計部 連附件 () 報關組 連附件 () 其他 連附件

分發香港各部門：

- () 行政部 連附件 () 會計部 連附件 () 統籌部 連附件 () 工程部地盤科文 連附件
 () 採購部 連附件 () QS 部 連附件 () 維修部 連附件 () 其他 _____ 連附件

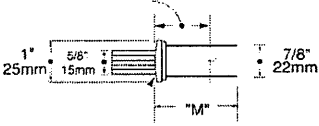
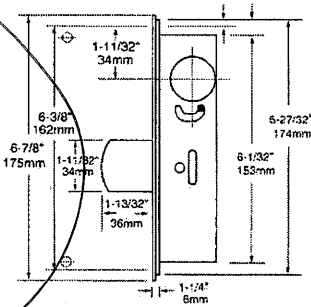
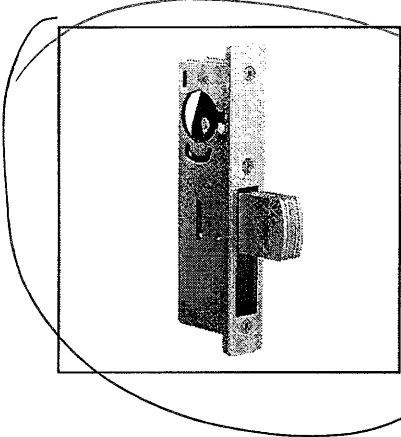
傳遞編號：HK 1631 (FTP) 發件人簽署：
 項目經理簽署：



1/2 64 nos

NARROW STILE MORTISE LOCKS

2851/2855



Model No.	Backset	"M"
2851	31/32" 25mm	1-5/8" 41mm
2855	1-1/8" 29mm	1-3/4" 45mm



Function

This swingbolt deadlock provides maximum security for any single leaf swinging door in commercial, industrial, and institutional buildings.

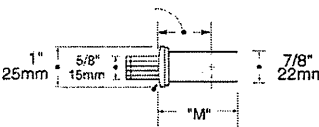
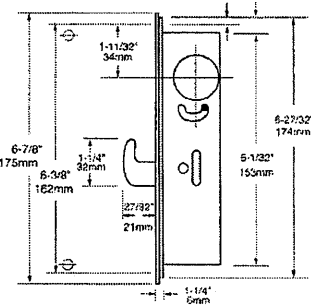
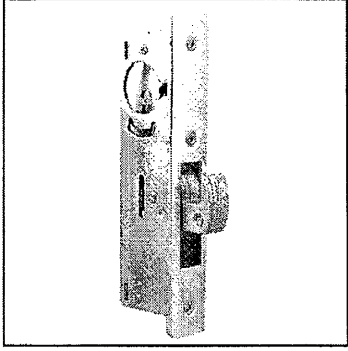
Operation

A complete 360-degree turn of the key or thumbturn throws or retracts the counterbalanced bolt. The key is removed only when the bolt is in a totally locked or unlocked position. The lock accepts any standard 1-5/32" (29mm) mortise cylinder or thumbturn (with A.R. cam) from either or both sides.

Notes

Lock is supplied with rounded front face plate. Also available with flat front and rounded front with weatherstrip. See "How To Order." Lock not supplied with cylinder or thumbturn. See accessories.

2852/2856



Model No.	Backset	"M"
2852	31/32" 25mm	1-5/8" 41mm
2856	1-1/8" 29mm	1-3/4" 45mm

Function

This hookbolt deadlock provides maximum security for sliding glass doors in commercial, industrial, and institutional buildings.

Operation

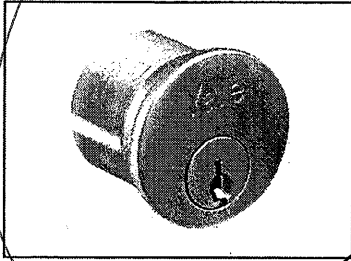
A complete 360-degree turn of the key or thumbturn throws or retracts the counterbalanced bolt. The key is removed only when the bolt is in a totally locked or unlocked position. The lock accepts any standard 1-5/32" (29mm) mortise cylinder from either or both sides. Cylinder must have A.R.cam.

Notes

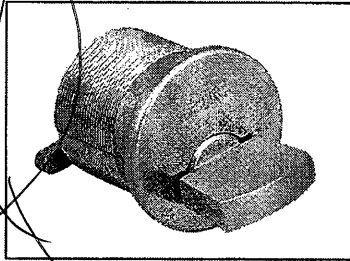
Lock is supplied with rounded front face plate. Also available with flat front and rounded front with weatherstrip. See "How To Order." Lock not supplied with cylinder or thumbturn. See accessories.

CYLINDERS

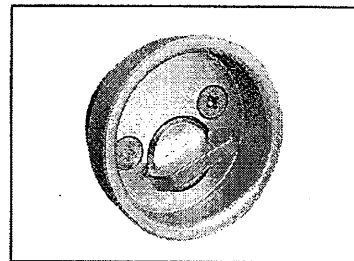
1152



2870



2871



- 1152-2: 2 Keyed – alike Cylinders are available

Accessories

- Faceplate 1" x 6-7/8" (25 x 175mm)
- Weatherstrip (WS)

Packaging

- Box

How To Order

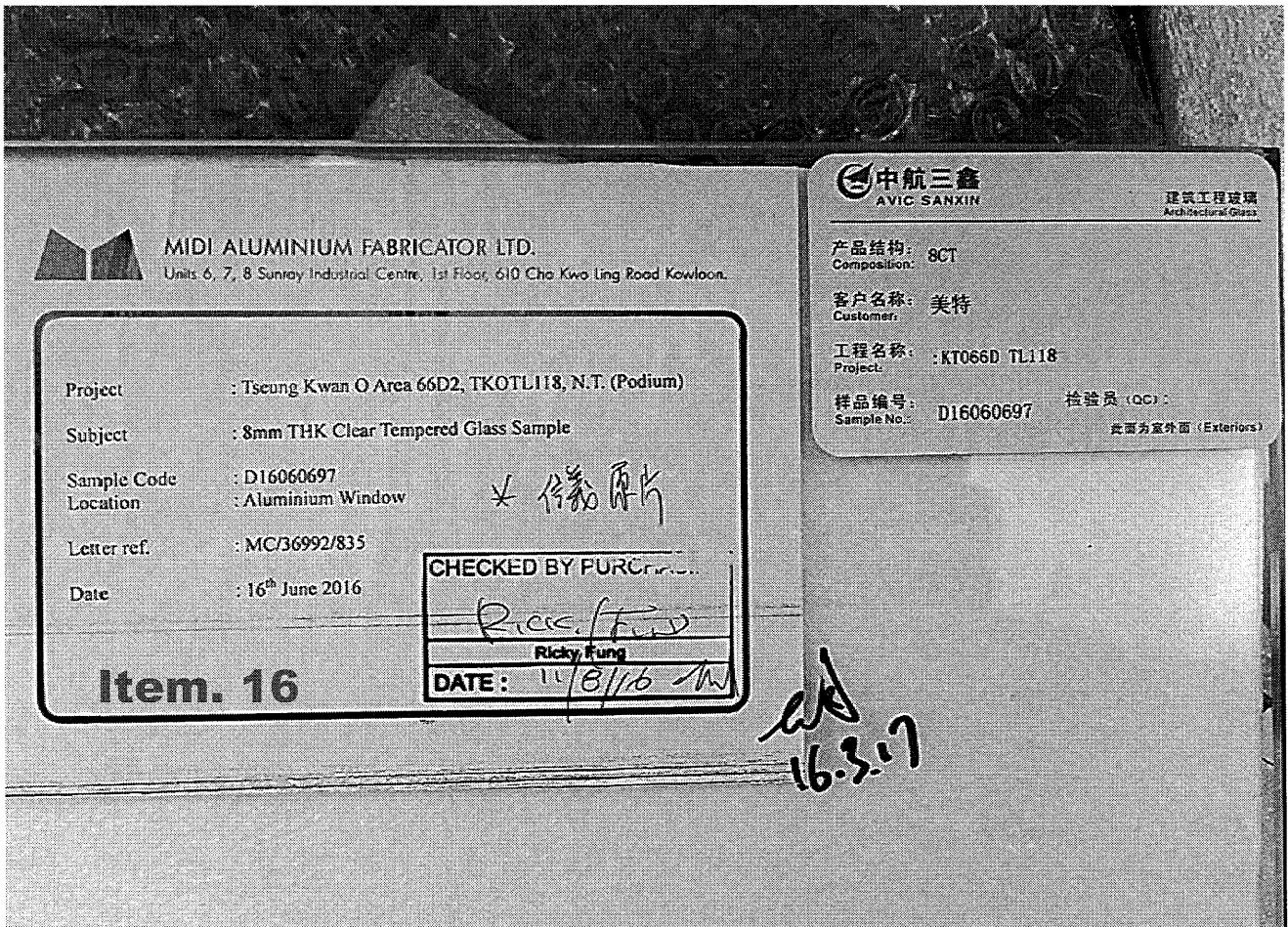
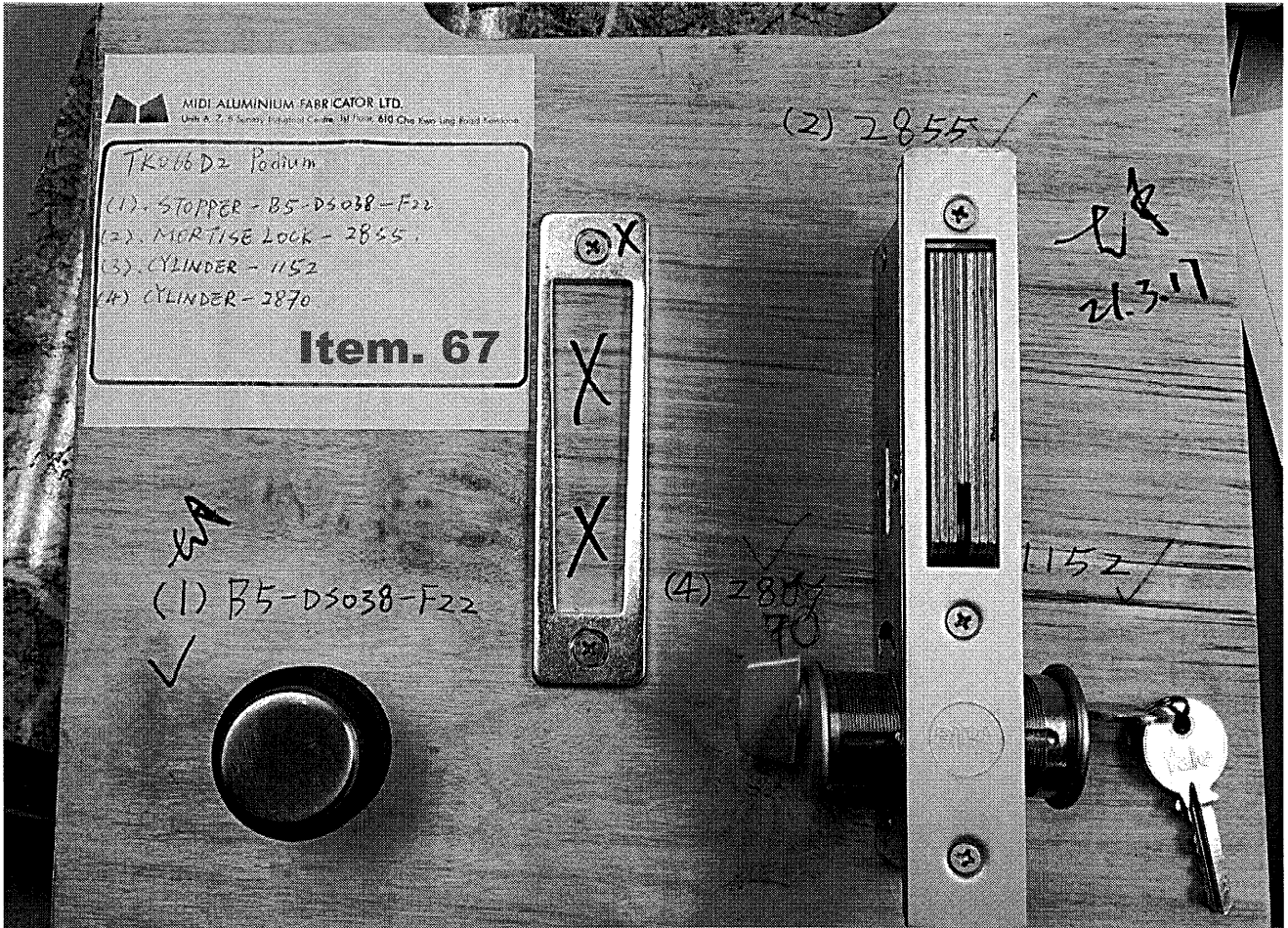
Quantity	Lock Body	Cylinders	Accessories
500 ea.	2851	1152+2870	WS

For More Information

Yale® ... The Leading Name in World Security.

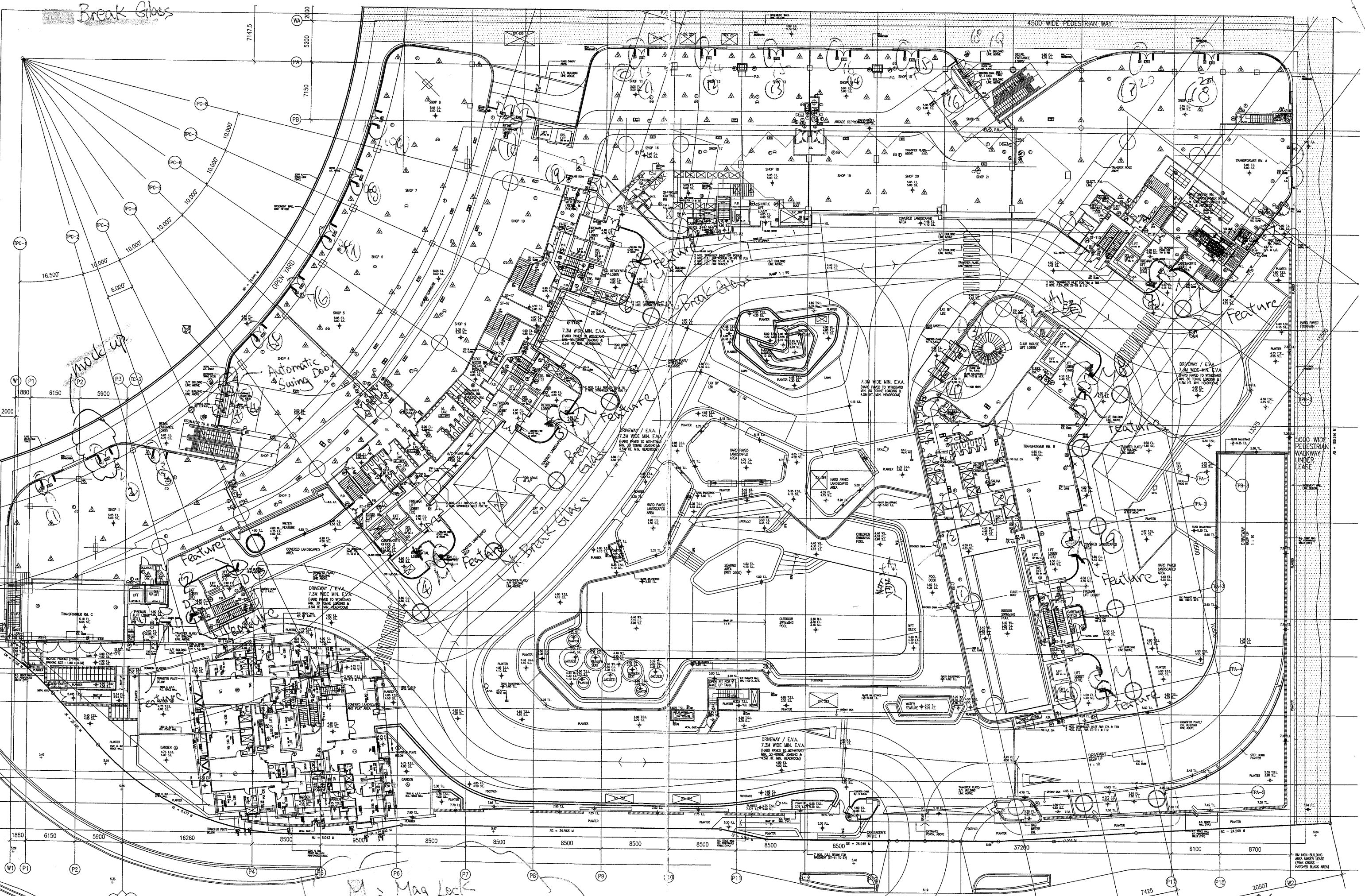
© Copyright 1998. Yale Security Group reserves the right to change availability of any item in this catalog, its design, construction and/or its materials.

Yale®, Yale Security Products®, are registered trademarks.



Break Glass

75



Mock up

Automatic Swing Door

Break Glass

Break Glass

Feature

Feature

Feature

Feature

Feature

M = Mag Lock

TONG CHIN STREET

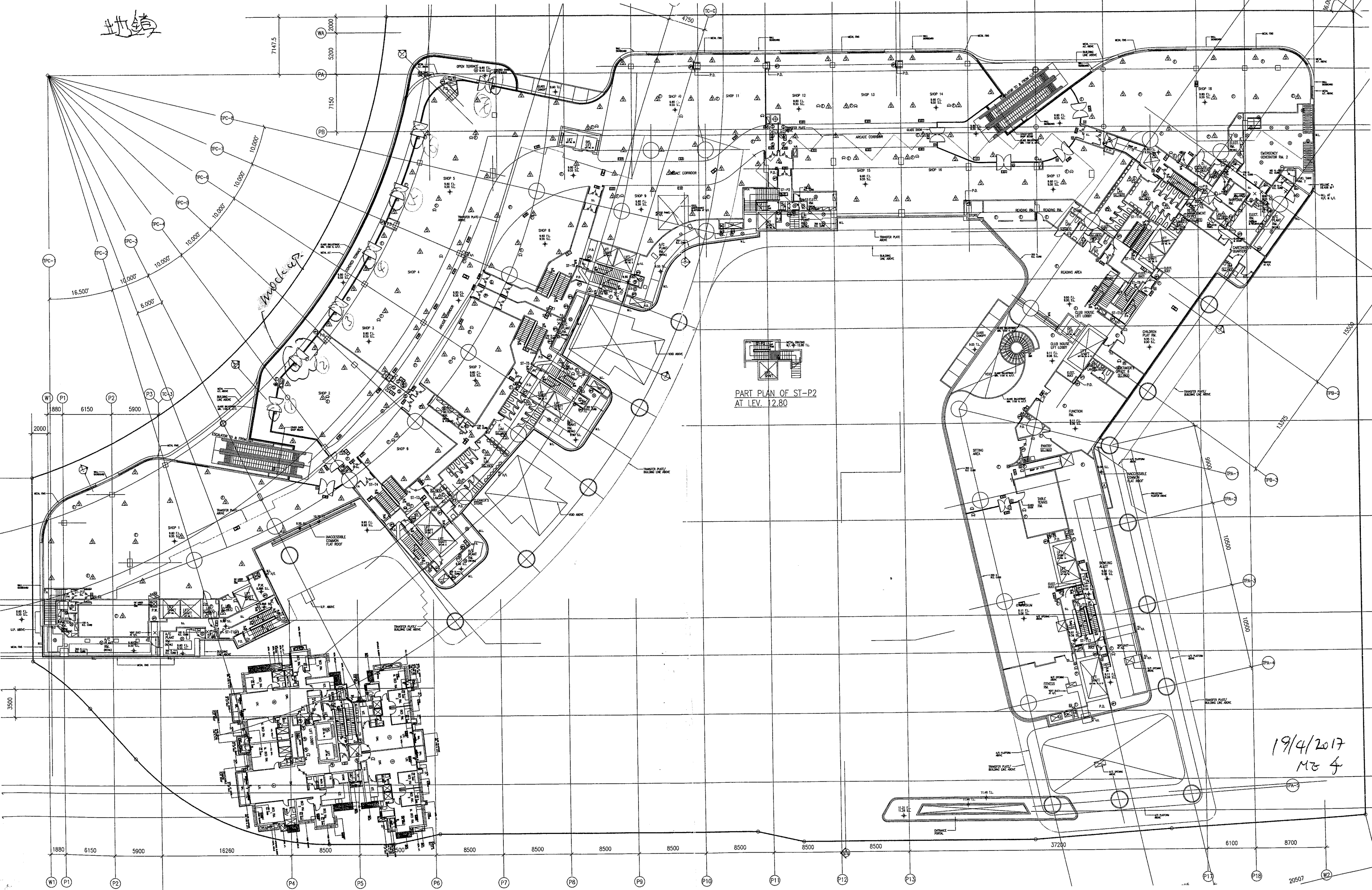
19/11/2022

9875

7425

20507

地鐵



PART PLAN OF ST-P2
AT LEV. 12.80

19/4/2017
ME 4